

US00D824616S

(12) **United States Design Patent**
Ward et al.

(10) **Patent No.:** **US D824,616 S**
(45) **Date of Patent:** **** Jul. 31, 2018**

- (54) **HANDHELD VACUUM CLEANER**
- (71) Applicant: **AC (Macao Commercial Offshore) LIMITED**, Macau (MO)
- (72) Inventors: **Matthew James Ward**, West Midlands (GB); **Richard David Waters**, West Midlands (GB); **Steven James Rogers**, West Midlands (GB); **James Reynolds**, West Midlands (GB); **Darren David Holmes**, West Midlands (GB); **Nehal Patel**, West Midlands (GB)
- (73) Assignee: **TTi (Macao Comercial Offshore) Limited**, Praia Grande (MO)
- (**) Term: **15 Years**
- (21) Appl. No.: **29/602,931**
- (22) Filed: **May 4, 2017**
- (51) **LOC (11) Cl.** **15-05**
- (52) **U.S. Cl.**
USPC **D32/22**
- (58) **Field of Classification Search**
USPC D32/31-34, 22
CPC A47L 5/24; A47L 5/38; A47L 5/28; A47L 11/4044; A47L 11/34; A47L 7/0038; A47L 9/325; A47L 9/02; A47L 1/08; D01H 11/006; B60S 1/64; A46B 11/001; A46B 11/002; B08B 3/026; B08B 3/028
See application file for complete search history.

- D731,724 S * 6/2015 Cheon D32/22
- D738,584 S * 9/2015 Niedzwecki D32/18
- D770,111 S * 10/2016 Lee D32/34
- D771,890 S * 11/2016 Kim D32/34
- 9,675,218 B2 * 6/2017 Kim A47L 5/225
- D792,040 S * 7/2017 Meyer D32/22

* cited by examiner

Primary Examiner — Ruth McInroy
(74) *Attorney, Agent, or Firm* — Michael Best & Friedrich LLP

(57) **CLAIM**

We claim the ornamental design for a handheld vacuum cleaner, as shown and described.

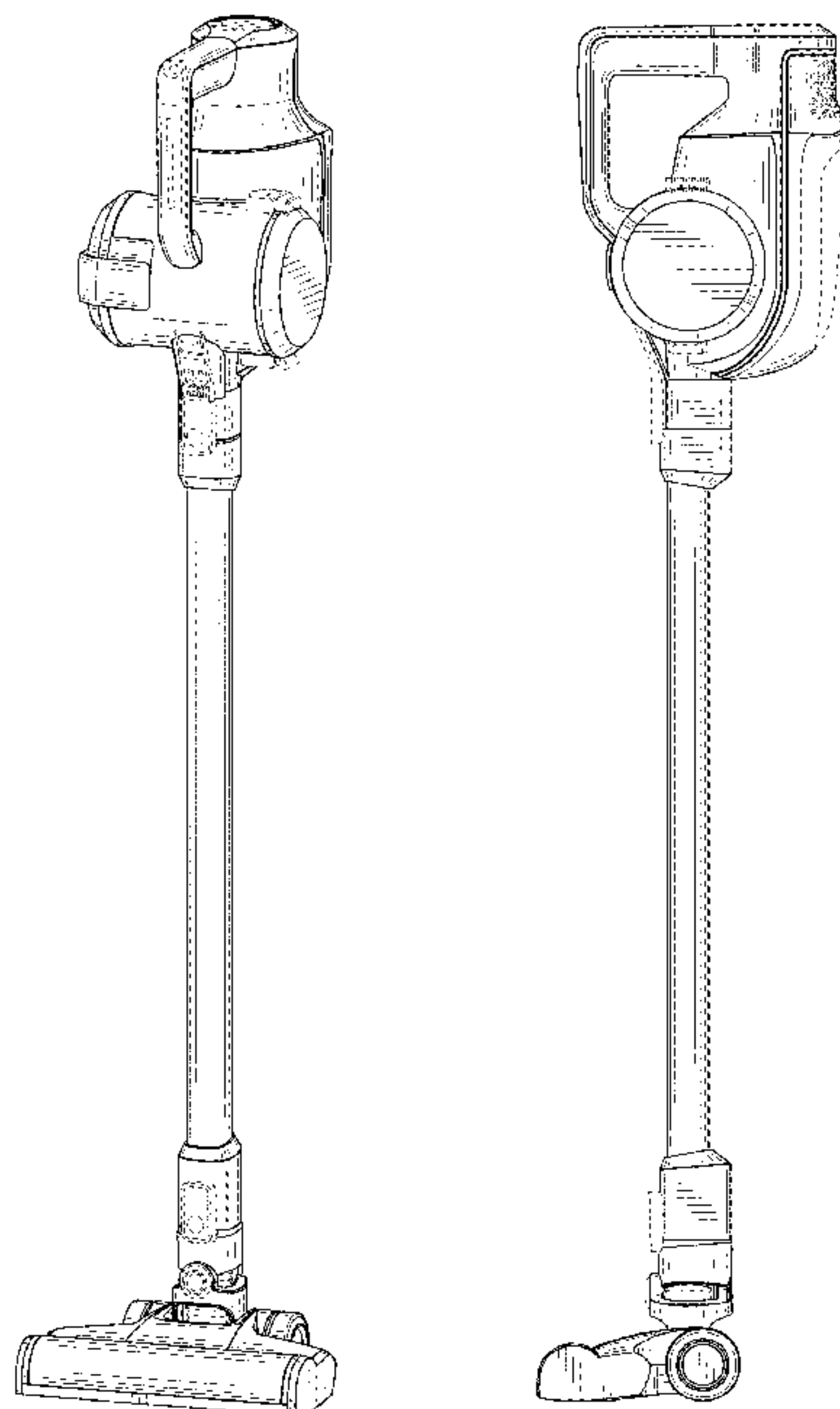
DESCRIPTION

FIG. 1 is a perspective view of a handheld vacuum cleaner showing our new design;
 FIG. 2 is a top side view of the handheld vacuum cleaner shown in FIG. 1.
 FIG. 3 is a bottom side view of the handheld vacuum cleaner shown in FIG. 1.
 FIG. 4 is a left side view of the handheld vacuum cleaner shown in FIG. 1.
 FIG. 5 is a right side view of the handheld vacuum cleaner shown in FIG. 1.
 FIG. 6 is a rear side view of the handheld vacuum cleaner shown in FIG. 1; and,
 FIG. 7 is a front side view of the handheld vacuum cleaner shown in FIG. 1.
 Elements shown in broken lines are included for the purpose of illustrating environment and form no part of the claimed design.

(56) **References Cited**
U.S. PATENT DOCUMENTS

- D635,728 S * 4/2011 Fjellman D32/22
- D731,136 S * 6/2015 Yun D32/34

1 Claim, 4 Drawing Sheets



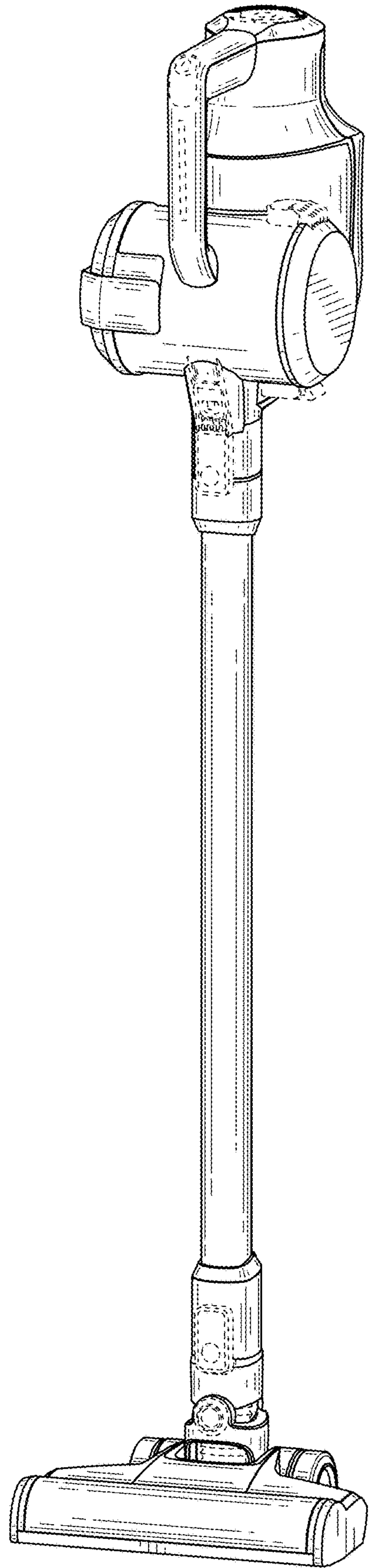


FIG. 1

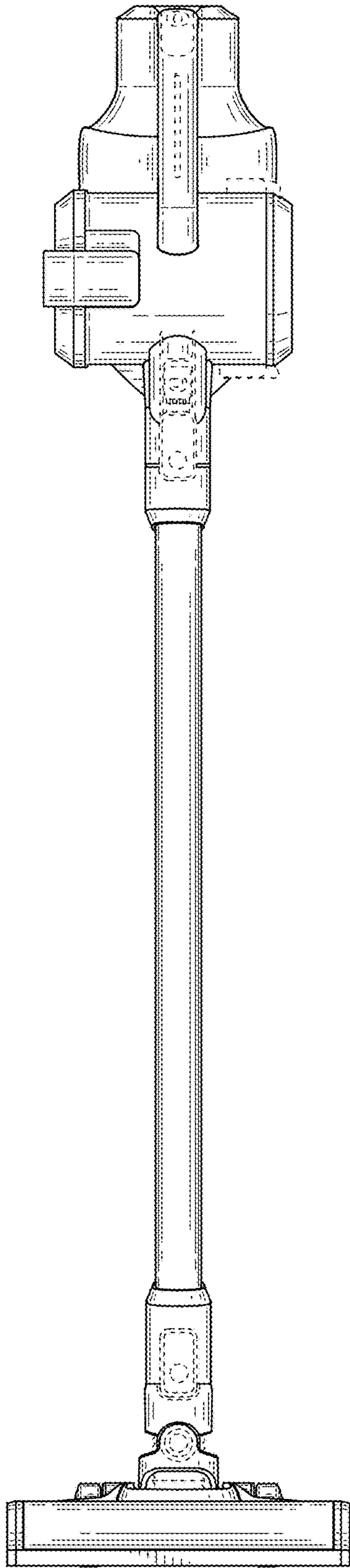


FIG. 2

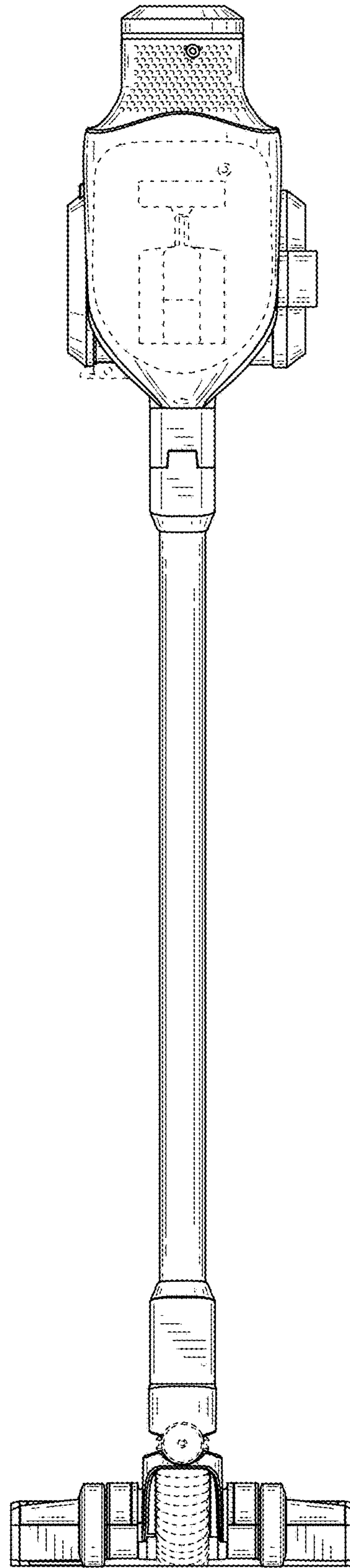


FIG. 3

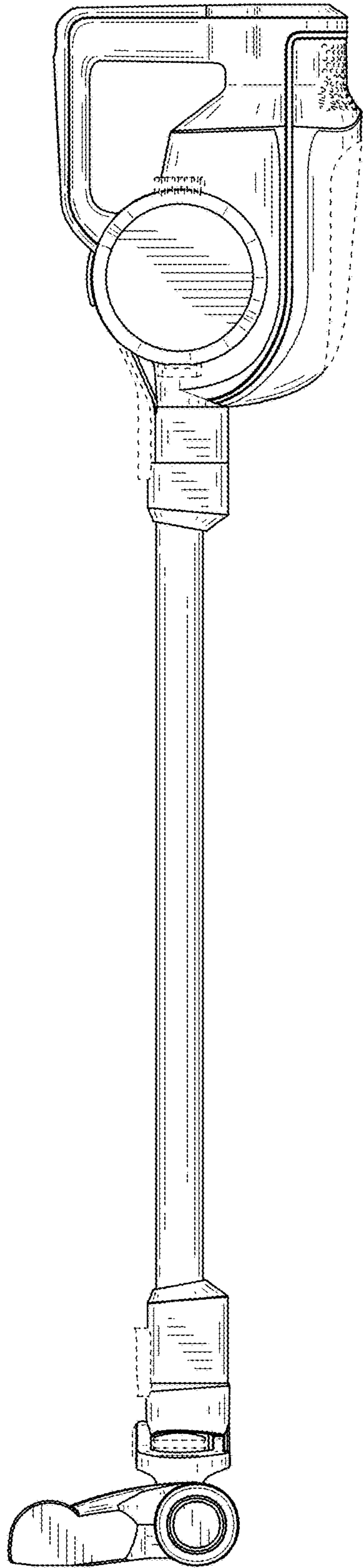


FIG. 4

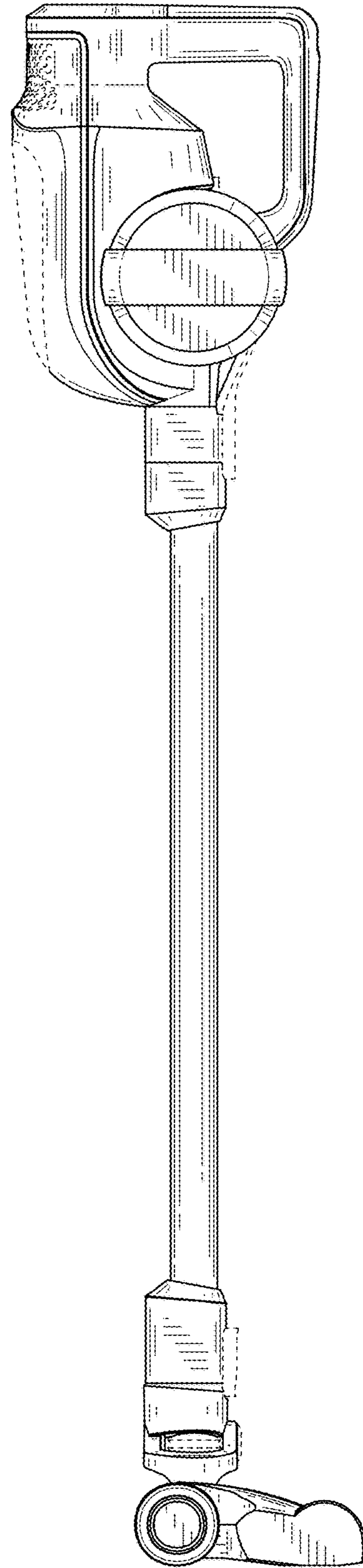


FIG. 5

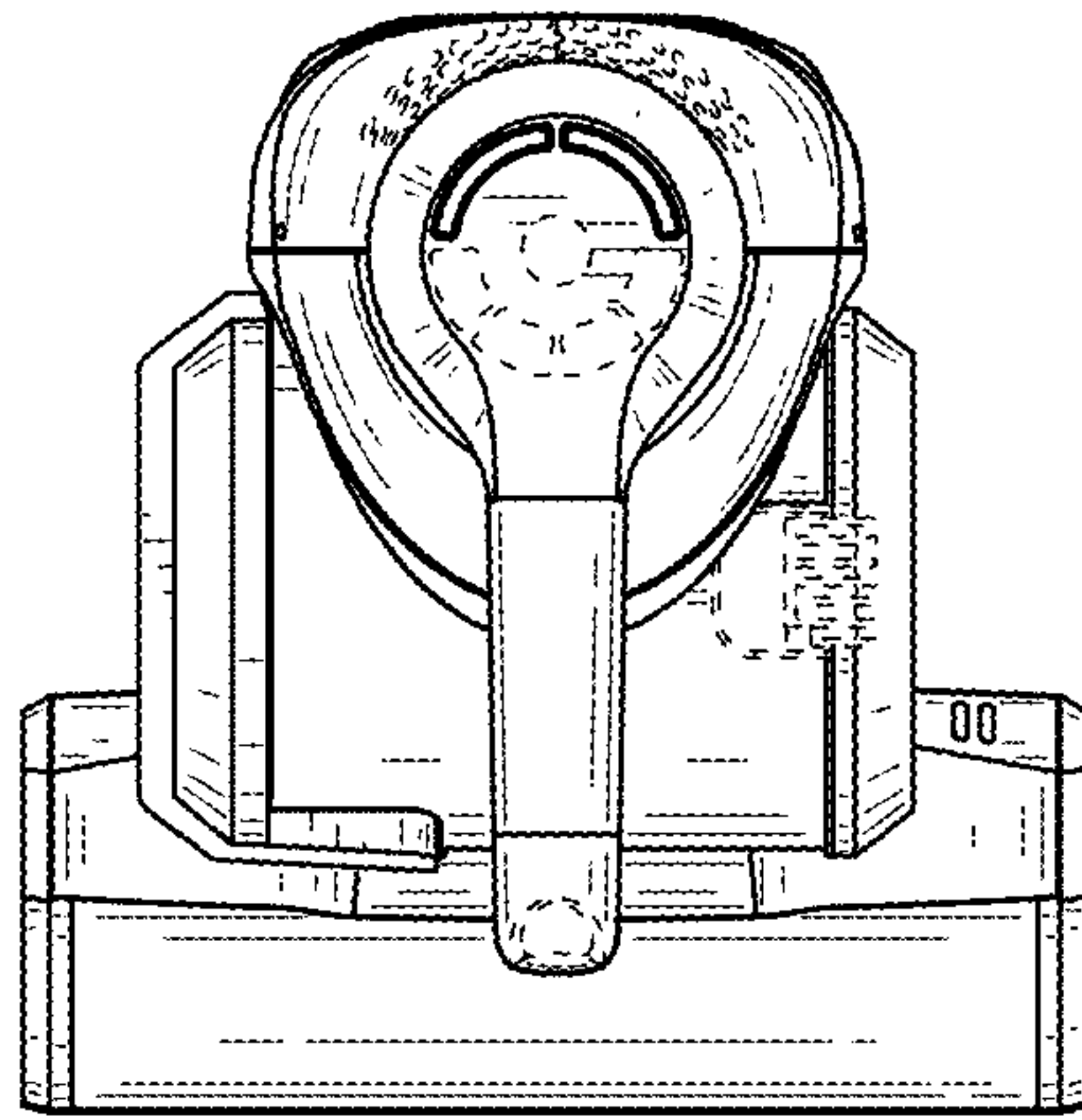


FIG. 6

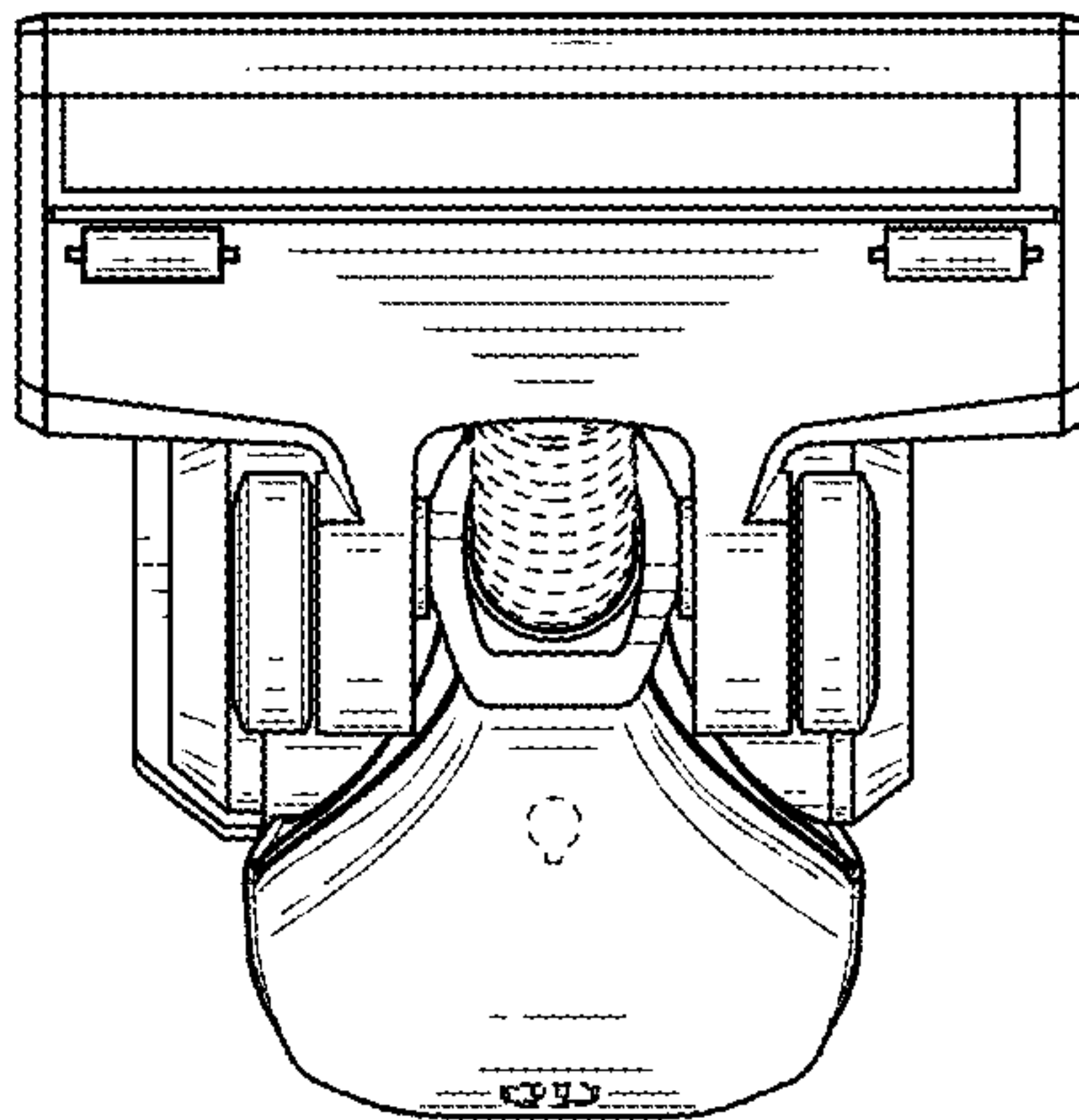


FIG. 7