



US00D824613S

(12) **United States Design Patent**  
**Alexander et al.**

(10) **Patent No.:** **US D824,613 S**  
(45) **Date of Patent:** **\*\* Jul. 31, 2018**

(54) **PRESSURE WASHER FRAME**

(71) Applicant: **FNA Group, Inc.**, Pleasant Prairie, WI (US)

(72) Inventors: **Gus Alexander**, Inverness, IL (US);  
**Orval Scott Weeks**, Gentry, AR (US)

(73) Assignee: **FNA Group, Inc.**, Pleasant Prairie, WI (US)

(\*\*) Term: **15 Years**

(21) Appl. No.: **29/604,560**

(22) Filed: **May 18, 2017**

(51) **LOC (11) Cl.** ..... **15-05**

(52) **U.S. Cl.**  
USPC ..... **D32/16**

(58) **Field of Classification Search**  
USPC ..... D32/16, 21, 15; D34/14, 19, 12;  
D23/359; D15/5  
CPC ..... B08B 3/026; B08B 3/028; B05B 1/12;  
B05B 9/0855; B05B 1/00; B05B 1/1654;  
B05B 9/007; B05B 9/0426; F04B 17/05;  
F04B 49/24  
See application file for complete search history.

(56) **References Cited**  
U.S. PATENT DOCUMENTS

5,494,414 A \* 2/1996 Steinhart ..... F02B 75/007  
417/360

D375,590 S \* 11/1996 Steinhart ..... D32/15

D467,692 S \* 12/2002 Morgan ..... D32/15

D580,610 S \* 11/2008 Hawkins ..... D32/25

D590,110 S \* 4/2009 Hawkins ..... D32/25

D622,471 S \* 8/2010 Hernandez ..... D34/12

D633,263 S \* 2/2011 Fay ..... D32/15

D634,083 S \* 3/2011 Fay ..... D32/15

D639,001 S \* 5/2011 Alexander ..... D32/15

D648,082 S \* 11/2011 Alexander ..... D32/15

D665,545 S \* 8/2012 Alexander ..... D32/15

D688,841 S \* 8/2013 van Deursen ..... D32/25

D702,900 S \* 4/2014 Kahan ..... D32/16

D703,888 S \* 4/2014 Kahan ..... D32/16

D732,764 S \* 6/2015 Kennard ..... D32/15

D733,373 S \* 6/2015 Kahan ..... D32/16

2015/0306614 A1 \* 10/2015 Pierce ..... B05B 9/007  
137/12

2016/0067726 A1 \* 3/2016 Gilpatrick ..... B05B 7/32  
239/526

2018/0021800 A1 \* 1/2018 Janik ..... B05B 7/2464

2018/0021819 A1 \* 1/2018 Schaller ..... B08B 3/026

\* cited by examiner

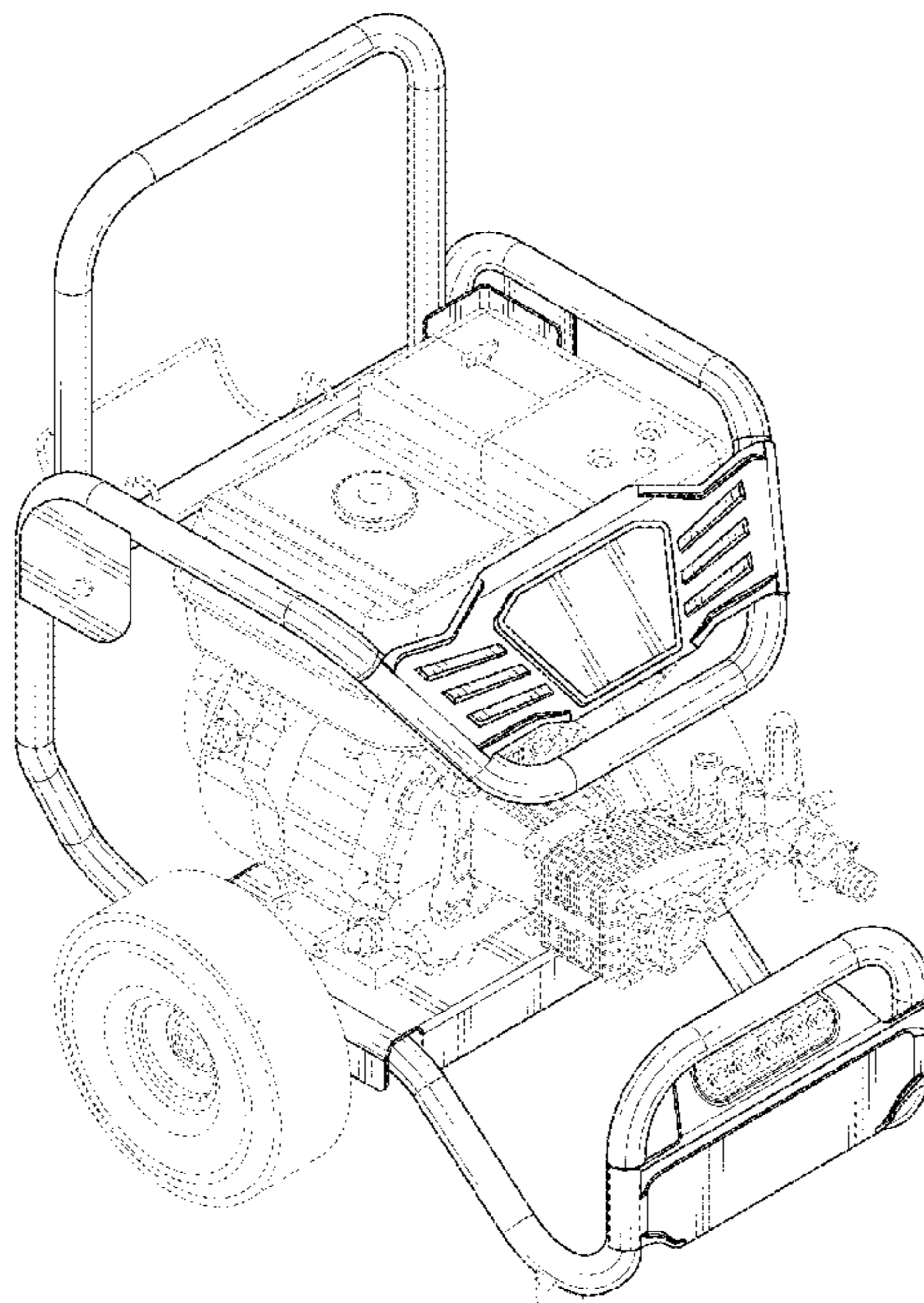
*Primary Examiner* — Michelle E Wilson  
(74) *Attorney, Agent, or Firm* — Steven E. Jedlinski;  
Jeffrey T. Placker; Holland & Knight LLP

(57) **CLAIM**  
The ornamental design for a pressure washer frame, as shown and described.

**DESCRIPTION**

FIG. 1 is a top-front perspective view of a pressure washer frame;  
FIG. 2 is a top-rear perspective view thereof;  
FIG. 3 is a front elevation view thereof;  
FIG. 4 is a rear elevation view thereof;  
FIG. 5 is a left side elevation view thereof;  
FIG. 6 is a right side elevation view thereof;  
FIG. 7 is a top plan view thereof; and,  
FIG. 8 is a bottom plan view thereof.

**1 Claim, 8 Drawing Sheets**



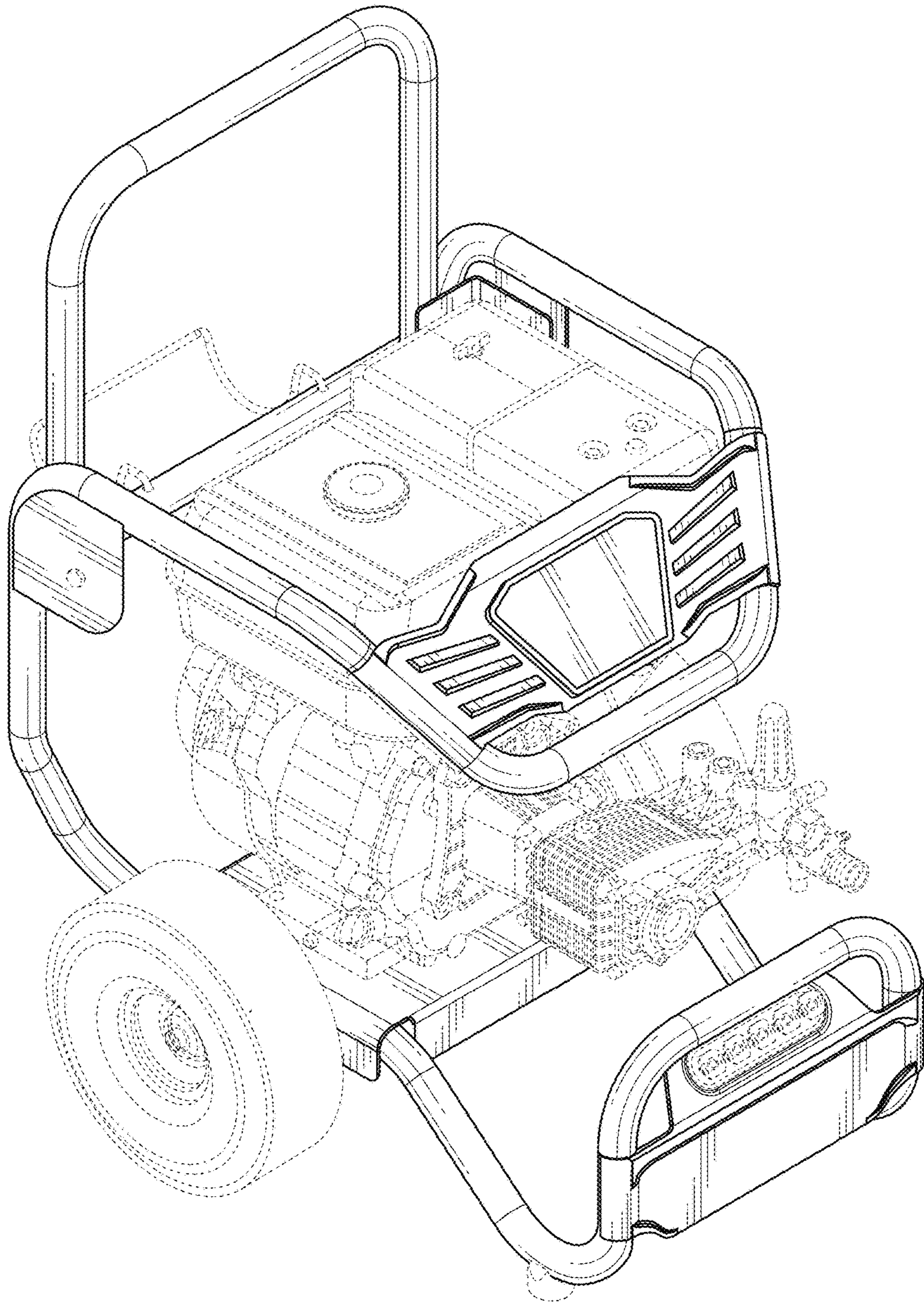


FIG. 1

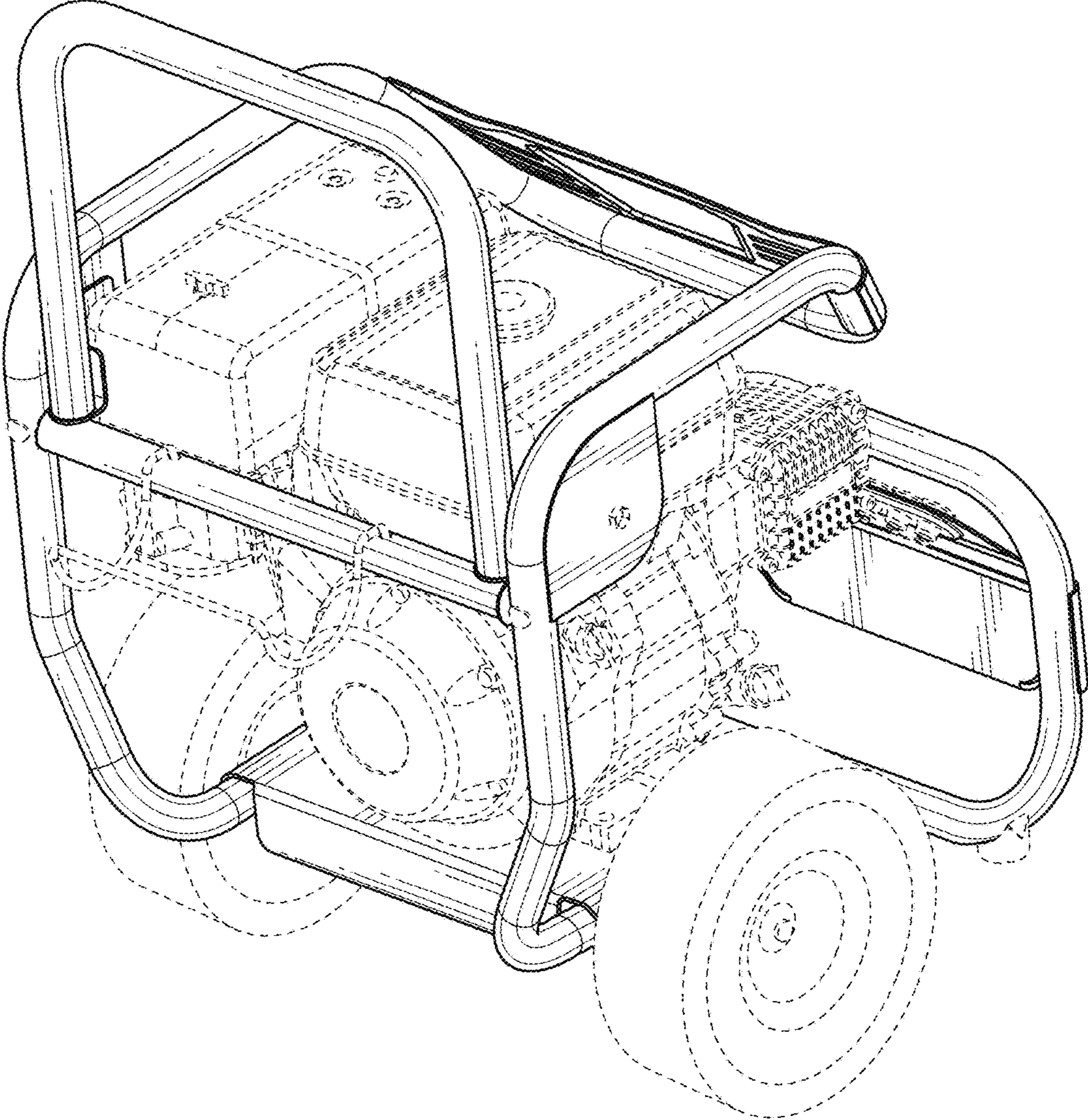


FIG. 2

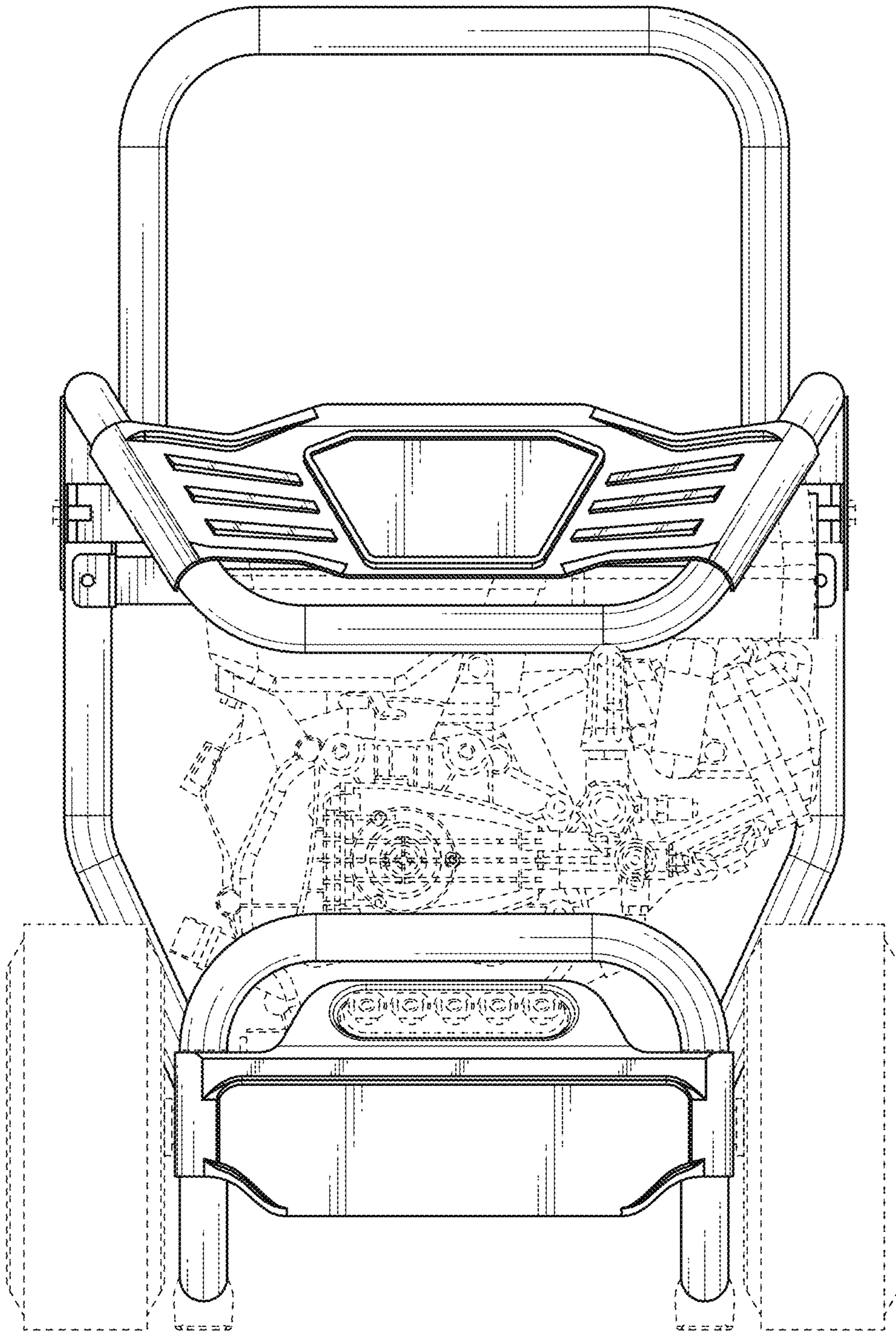


FIG. 3

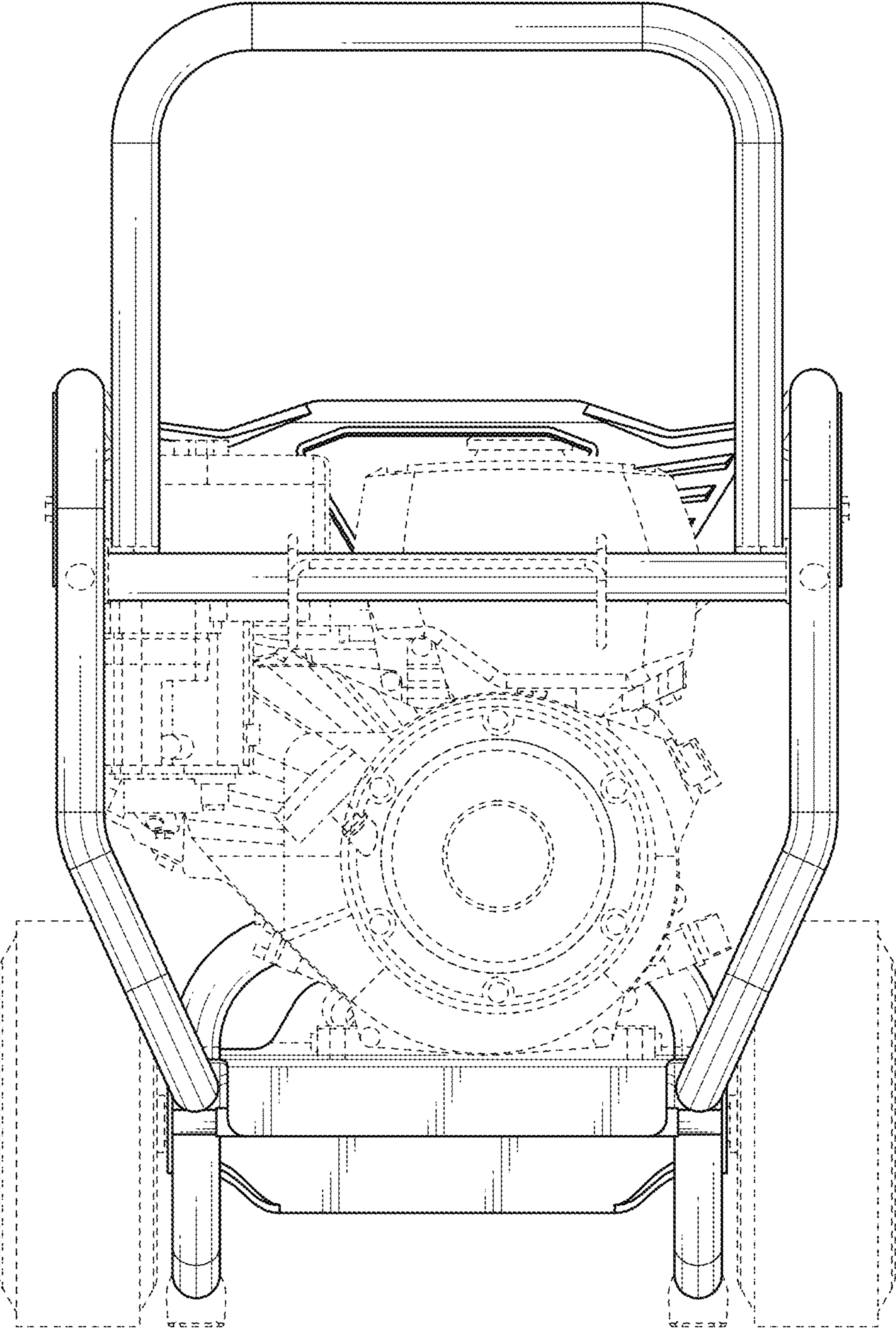


FIG. 4

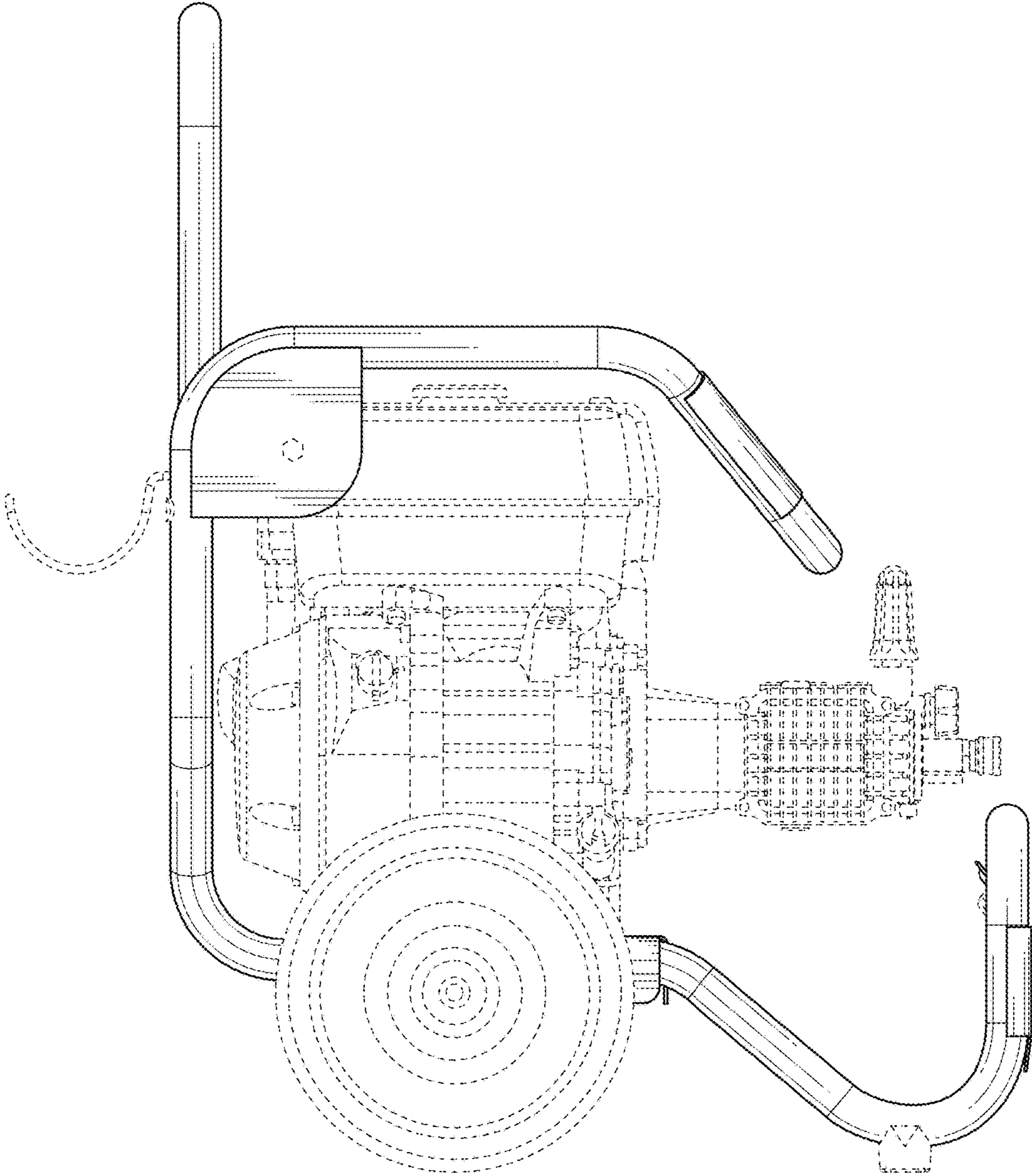


FIG. 5

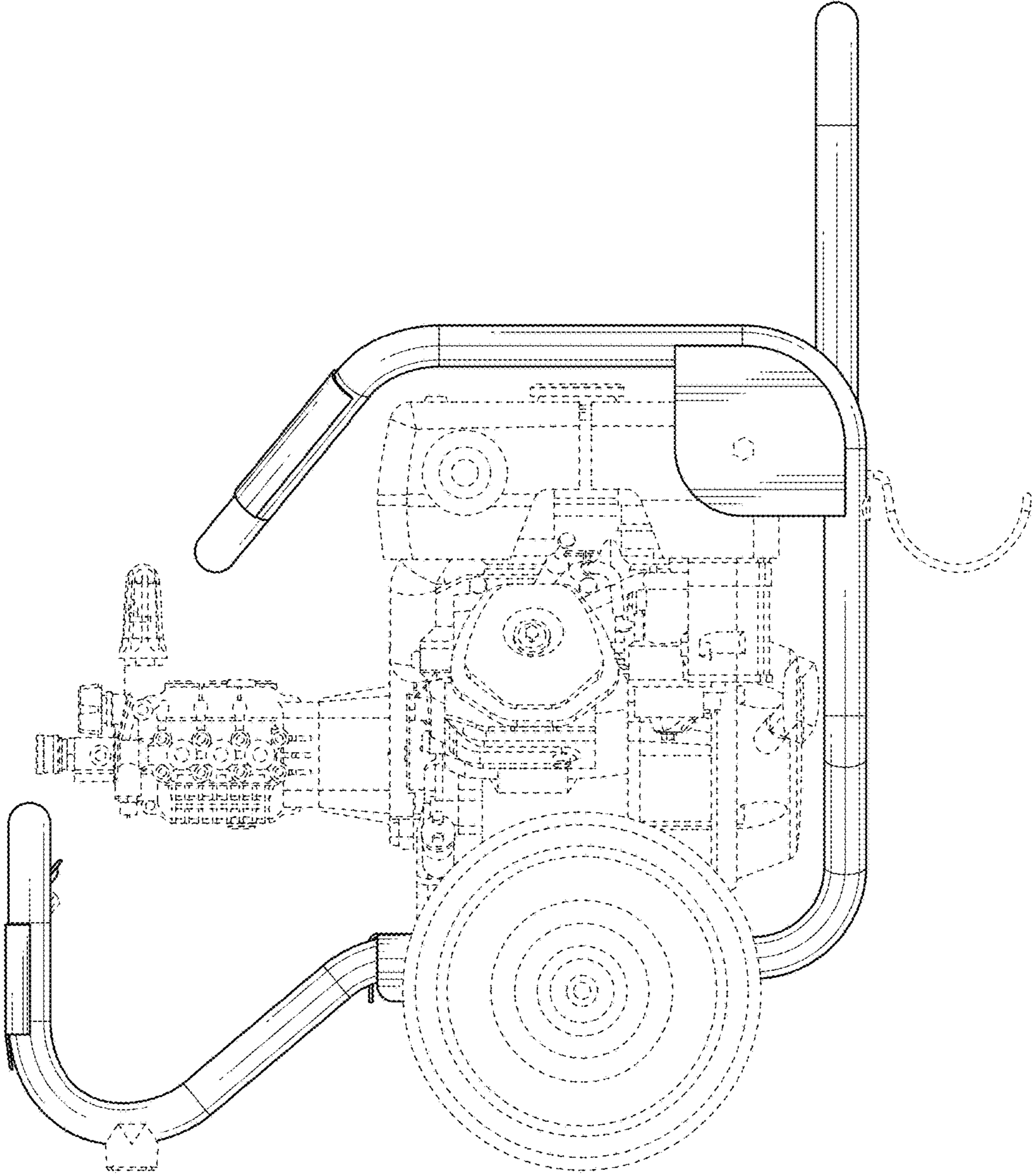


FIG. 6

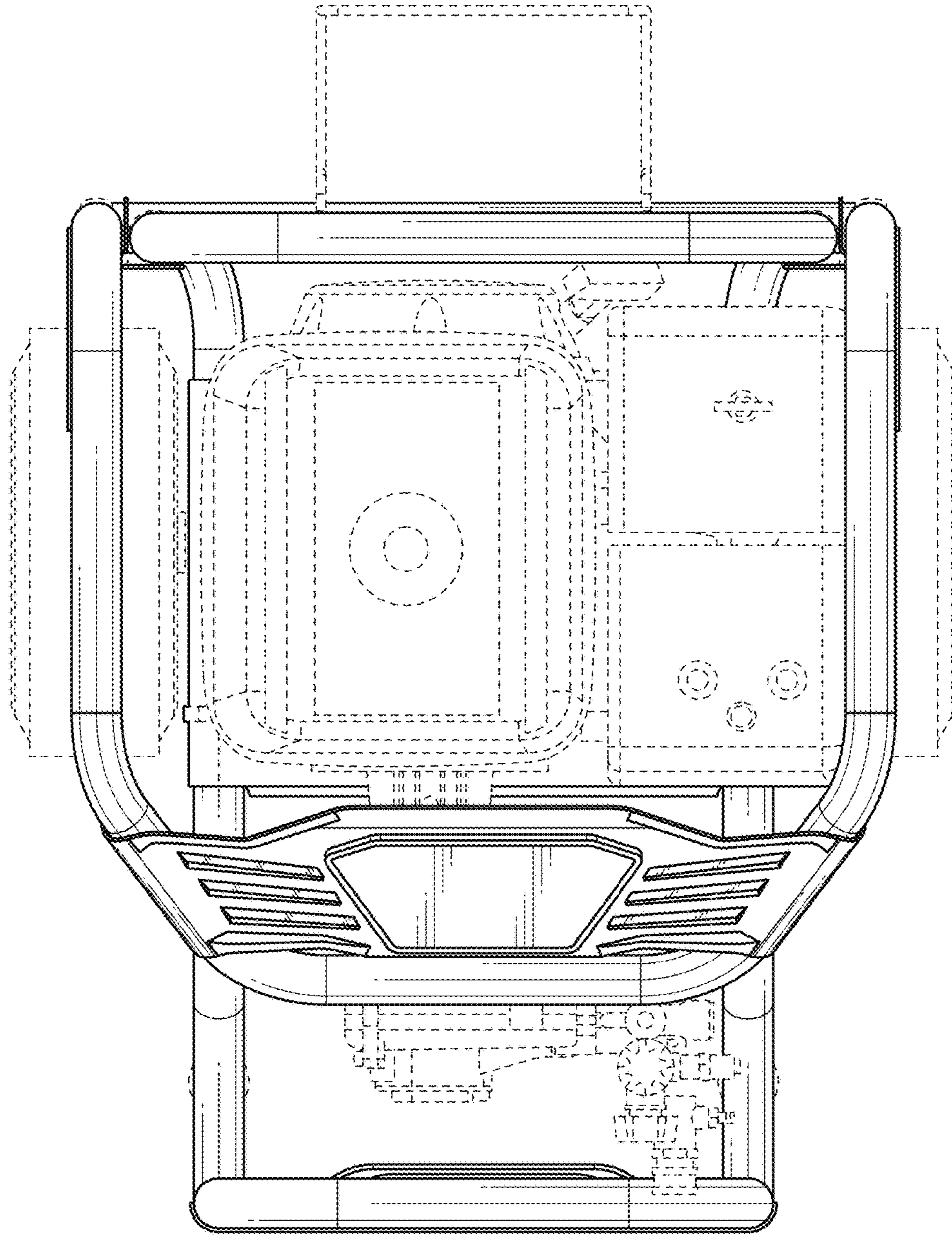


FIG. 7



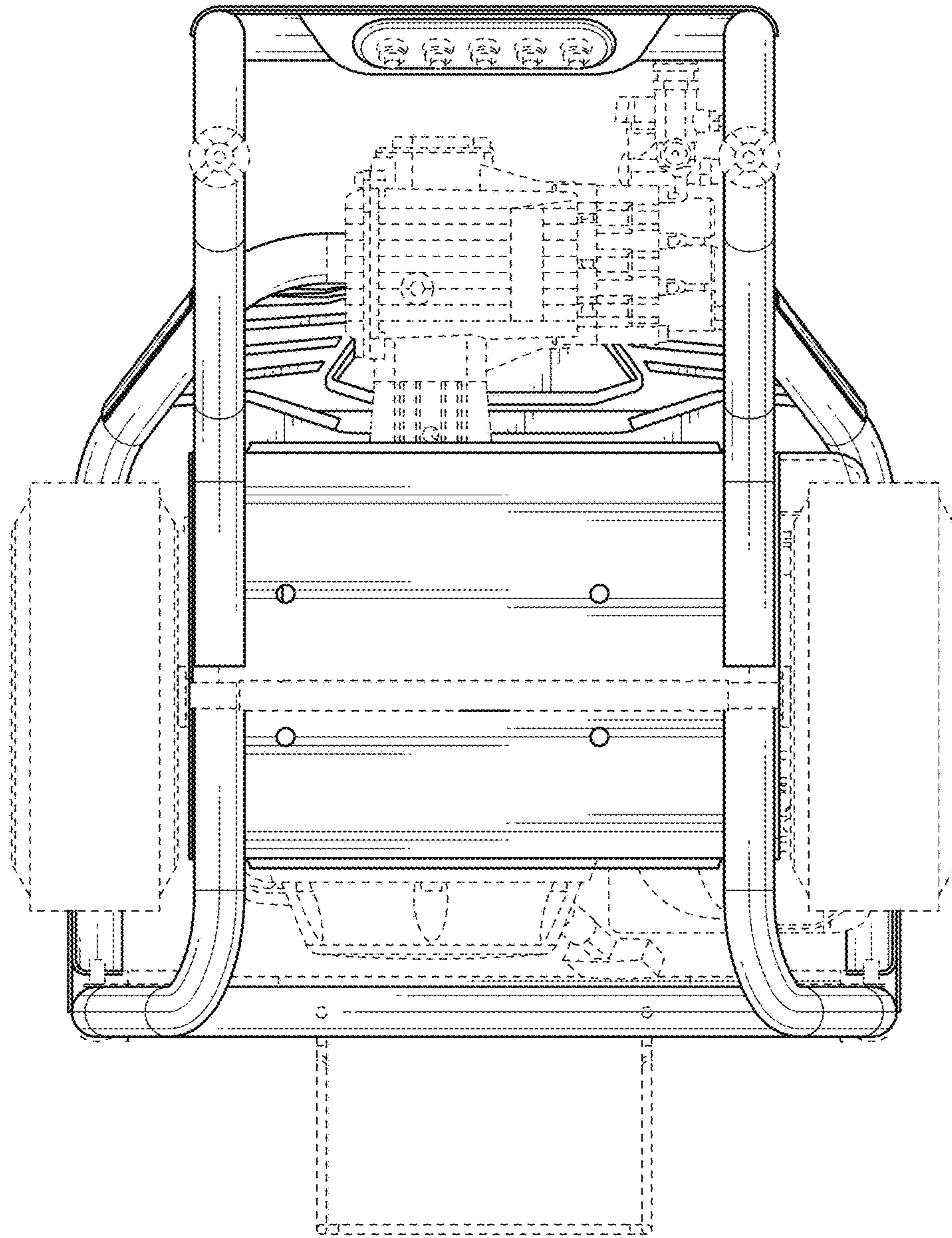


FIG. 8