



US00D824612S

(12) **United States Design Patent**  
**Alexander**

(10) **Patent No.:** **US D824,612 S**  
(45) **Date of Patent:** **\*\* Jul. 31, 2018**

- (54) **PRESSURE WASHER FRAME**
- (71) Applicant: **FNA Group, Inc.**, Pleasant Prairie, WI (US)
- (72) Inventor: **Gus Alexander**, Inverness, IL (US)
- (73) Assignee: **FNA Group, Inc.**, Pleasant Prairie, WI (US)
- (\*\*) Term: **15 Years**
- (21) Appl. No.: **29/598,862**
- (22) Filed: **Mar. 29, 2017**
- (51) **LOC (11) Cl.** ..... **15-05**
- (52) **U.S. Cl.**  
USPC ..... **D32/16**
- (58) **Field of Classification Search**  
USPC ..... D32/16, 21, 15; D34/14, 19, 12;  
D23/359; D15/5  
CPC ..... B08B 3/026; B08B 3/028; B05B 1/12;  
B05B 9/0855; B05B 1/00; B05B 1/1654;  
B05B 9/007; B05B 9/0426; F04B 17/05;  
F04B 49/24  
See application file for complete search history.

D622,471	S	*	8/2010	Hernandez	.....	D34/12
D633,263	S	*	2/2011	Fay	.....	D32/15
D634,083	S	*	3/2011	Fay	.....	D32/15
D639,001	S	*	5/2011	Alexander	.....	D32/15
D648,082	S	*	11/2011	Alexander	.....	D32/15
D688,841	S	*	8/2013	van Deursen	.....	D32/25
D702,900	S	*	4/2014	Kahan	.....	D32/16
D703,888	S	*	4/2014	Kahan	.....	D32/16
D732,764	S	*	6/2015	Kennard	.....	D32/15
D733,373	S	*	6/2015	Kahan	.....	D32/16
2015/0306614	A1	*	10/2015	Pierce	.....	B05B 9/007 137/12
2016/0067726	A1	*	3/2016	Gilpatrick	.....	B05B 7/32 239/526
2018/0021800	A1	*	1/2018	Janik	.....	B05B 7/2464
2018/0021819	A1	*	1/2018	Schaller	.....	B08B 3/026

\* cited by examiner

*Primary Examiner* — Michelle E Wilson  
(74) *Attorney, Agent, or Firm* — Steven E. Jedlinski;  
Jeffrey T. Placker; Holland & Knight LLP

(57) **CLAIM**

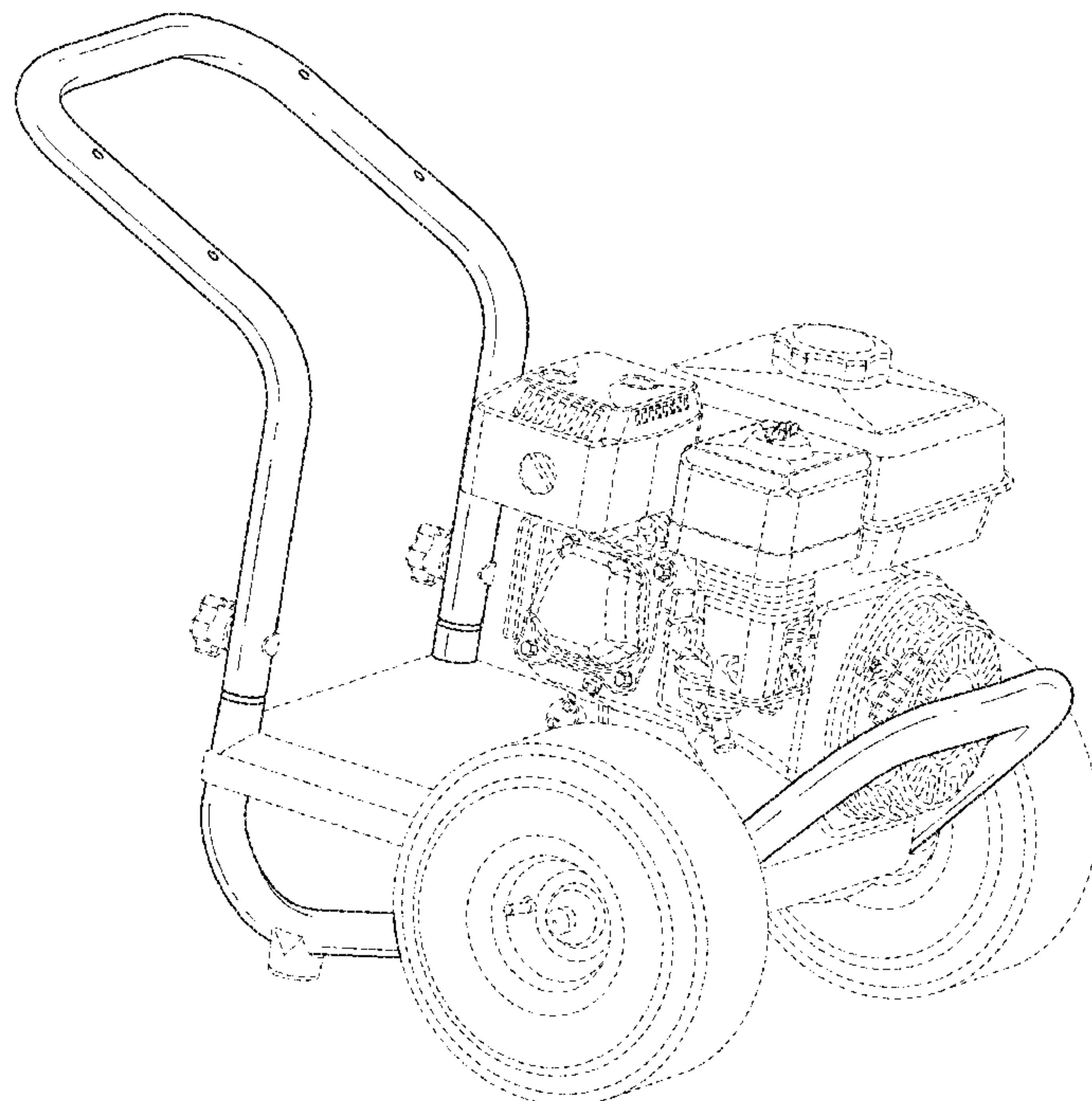
The ornamental design for a pressure washer frame, as shown and described.

**DESCRIPTION**

FIG. 1 is a top-front perspective view of a pressure washer frame;  
FIG. 2 is a front elevation view thereof;  
FIG. 3 is a rear elevation view thereof;  
FIG. 4 is a left side elevation view thereof;  
FIG. 5 is a right side elevation view thereof;  
FIG. 6 is a top plan view thereof; and,  
FIG. 7 is a bottom plan view thereof.

**1 Claim, 7 Drawing Sheets**

- (56) **References Cited**  
U.S. PATENT DOCUMENTS  
5,494,414 A \* 2/1996 Steinhart ..... F02B 75/007  
417/360  
D375,590 S \* 11/1996 Steinhart ..... D32/15  
D467,692 S \* 12/2002 Morgan ..... D32/15  
D580,610 S \* 11/2008 Hawkins ..... D32/25  
D590,110 S \* 4/2009 Hawkins ..... D32/25



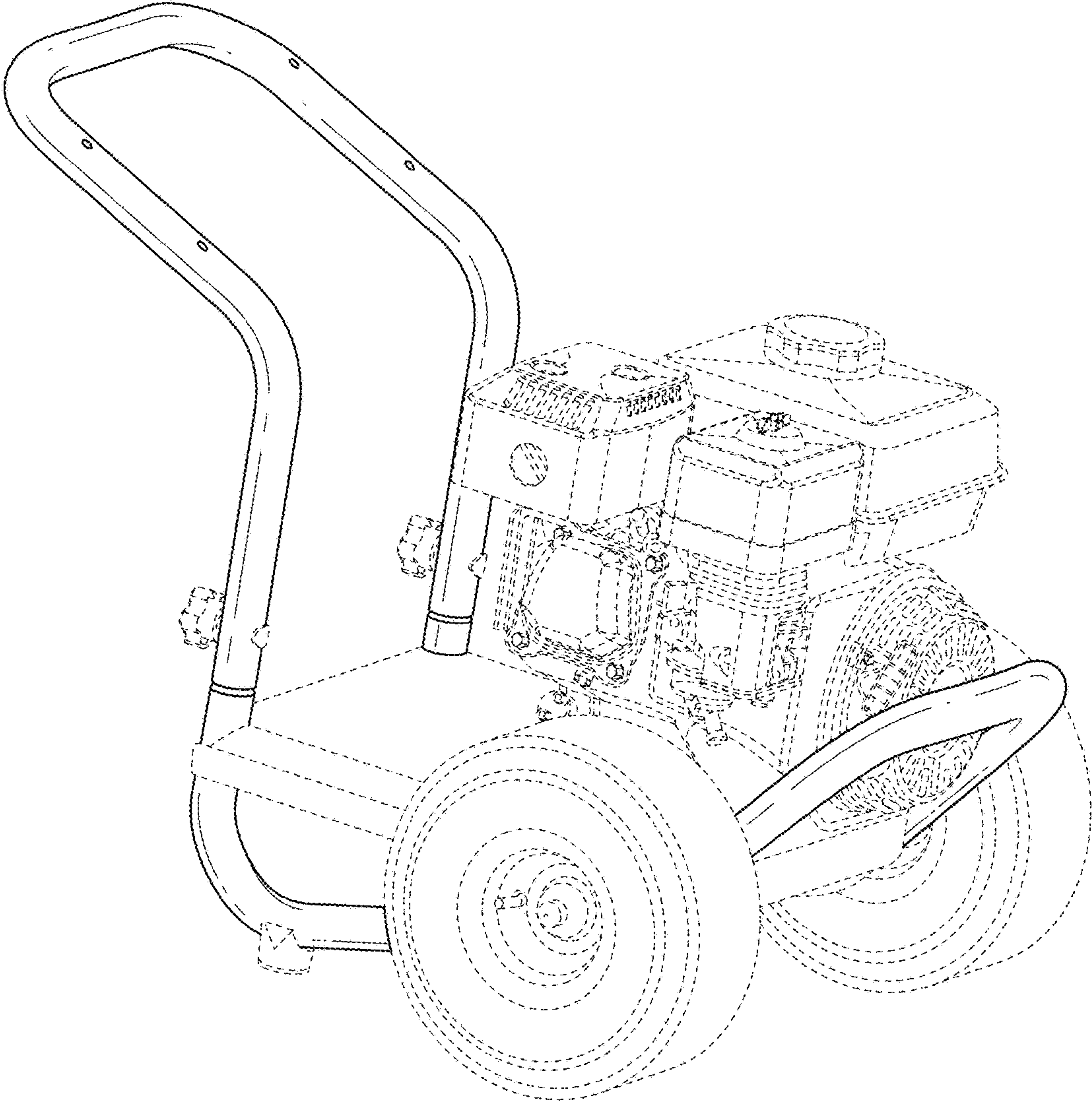


FIG. 1

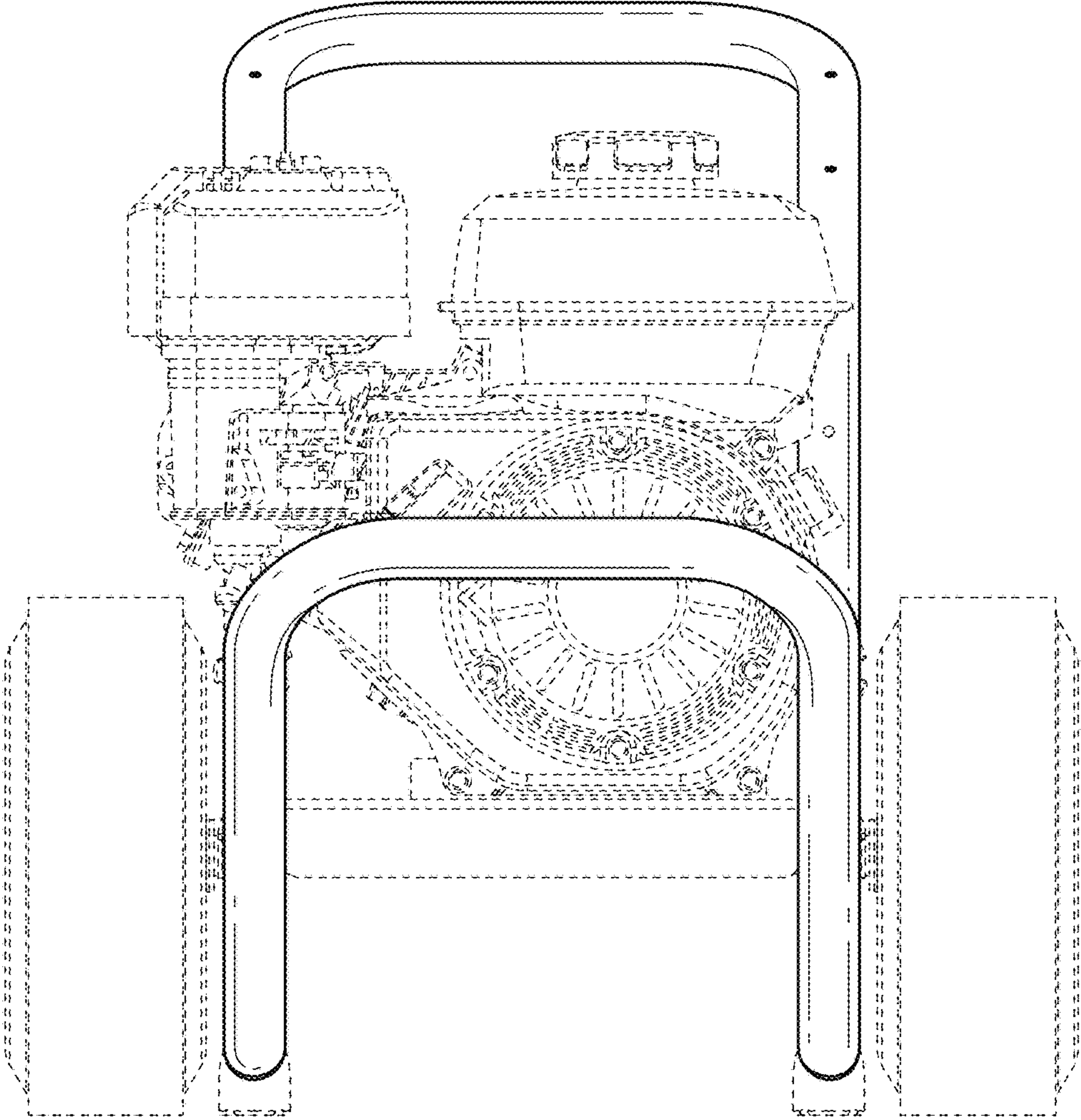


FIG. 2



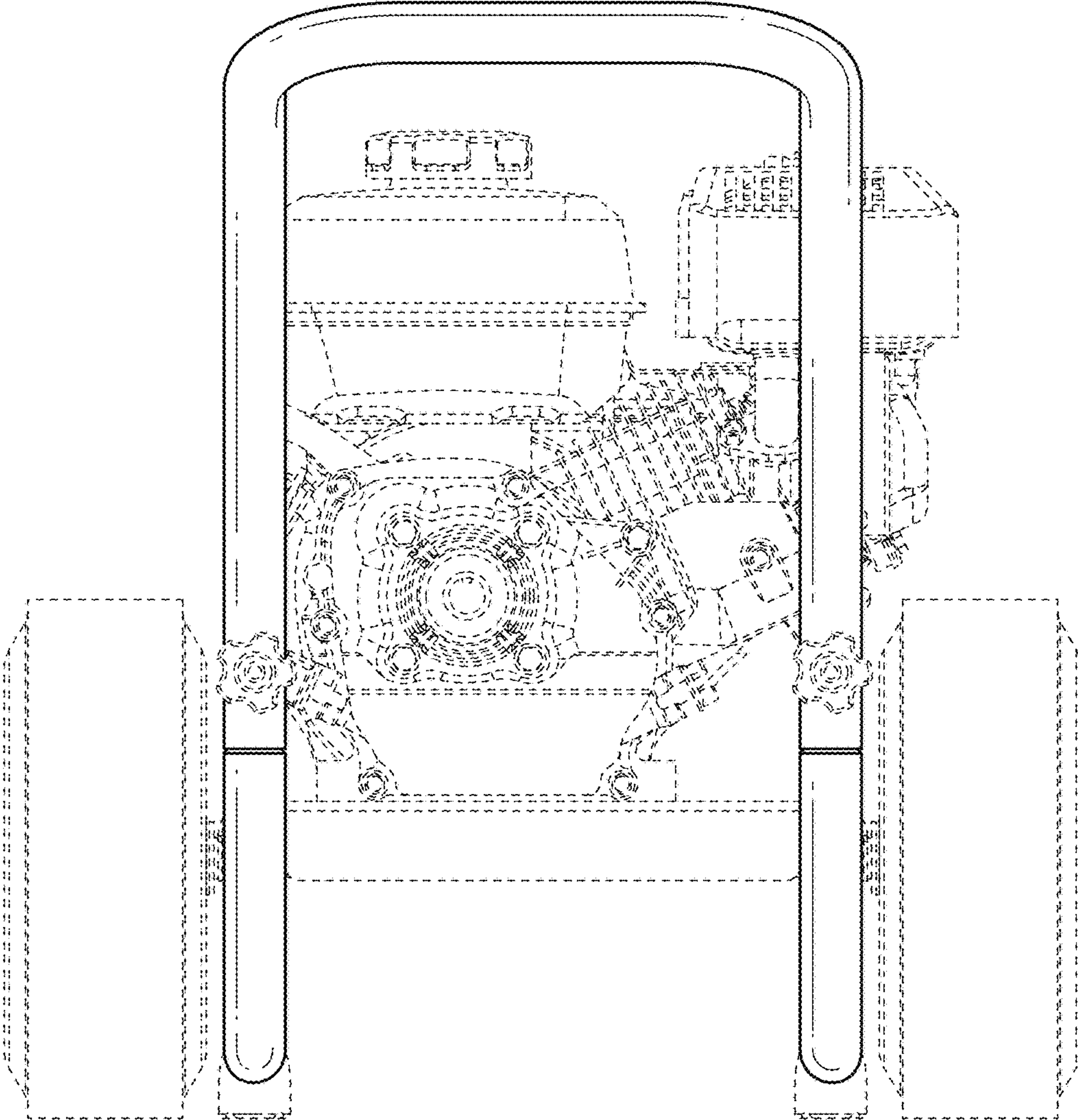


FIG. 3

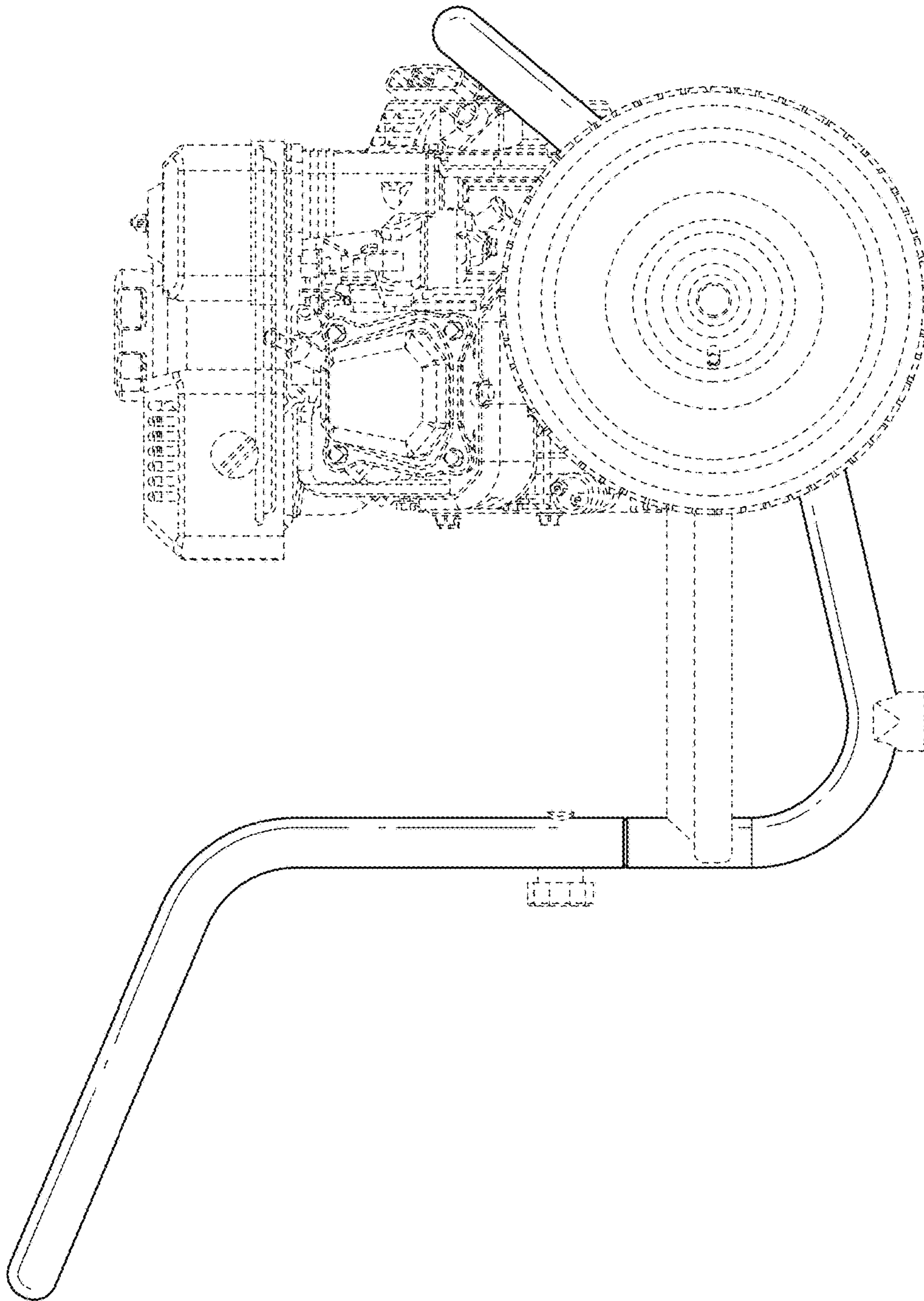


FIG. 4

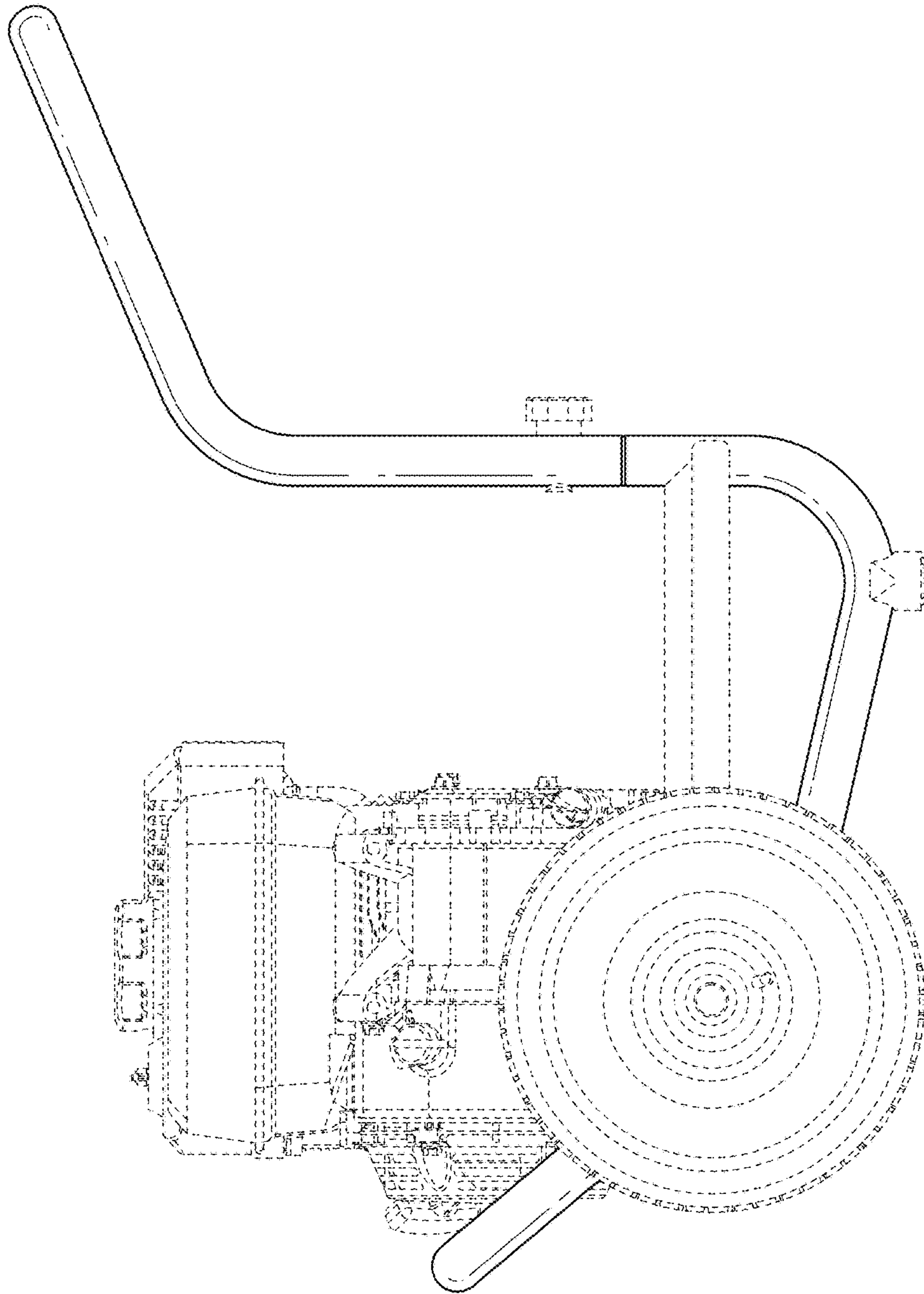


FIG. 5

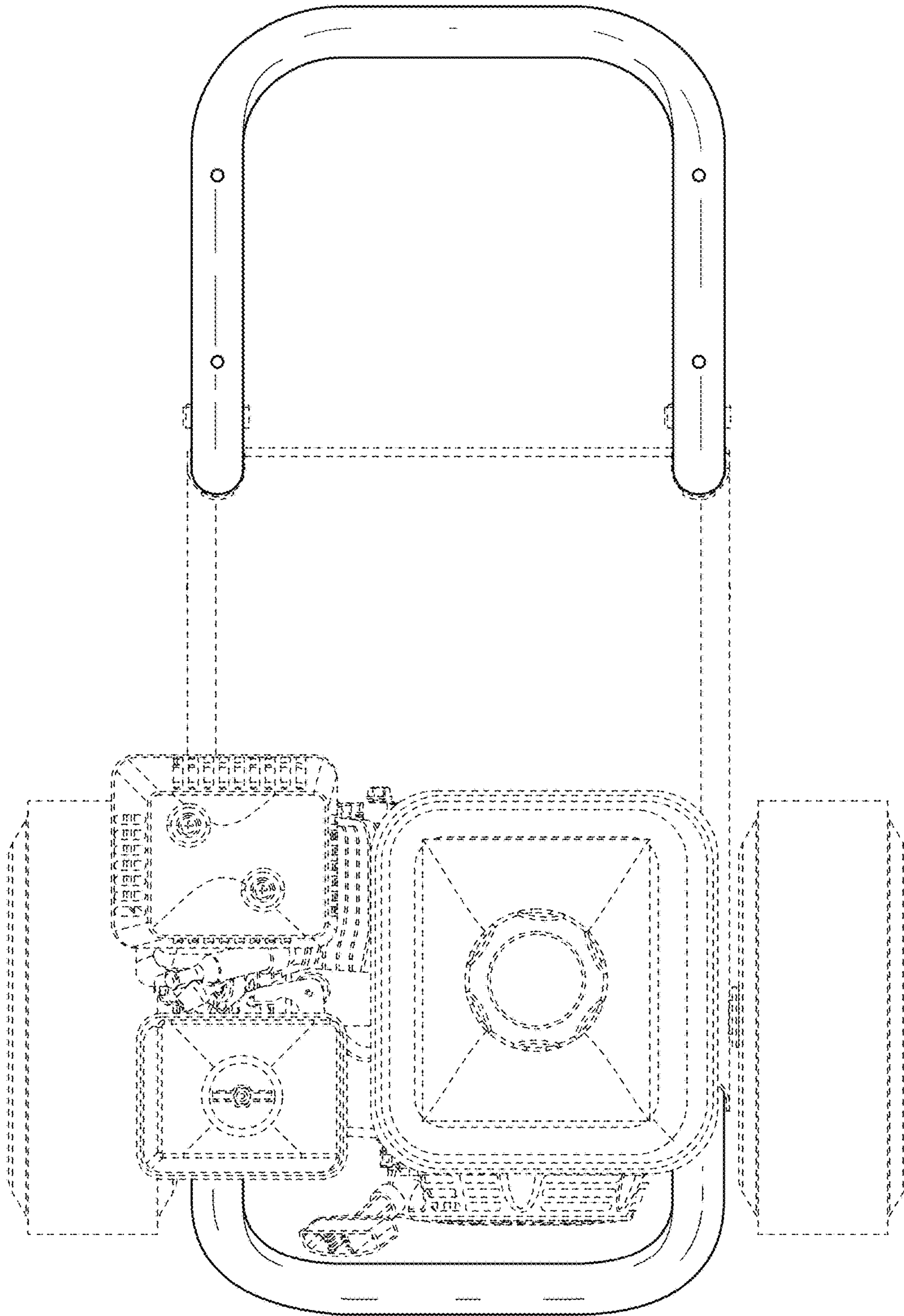


FIG. 6



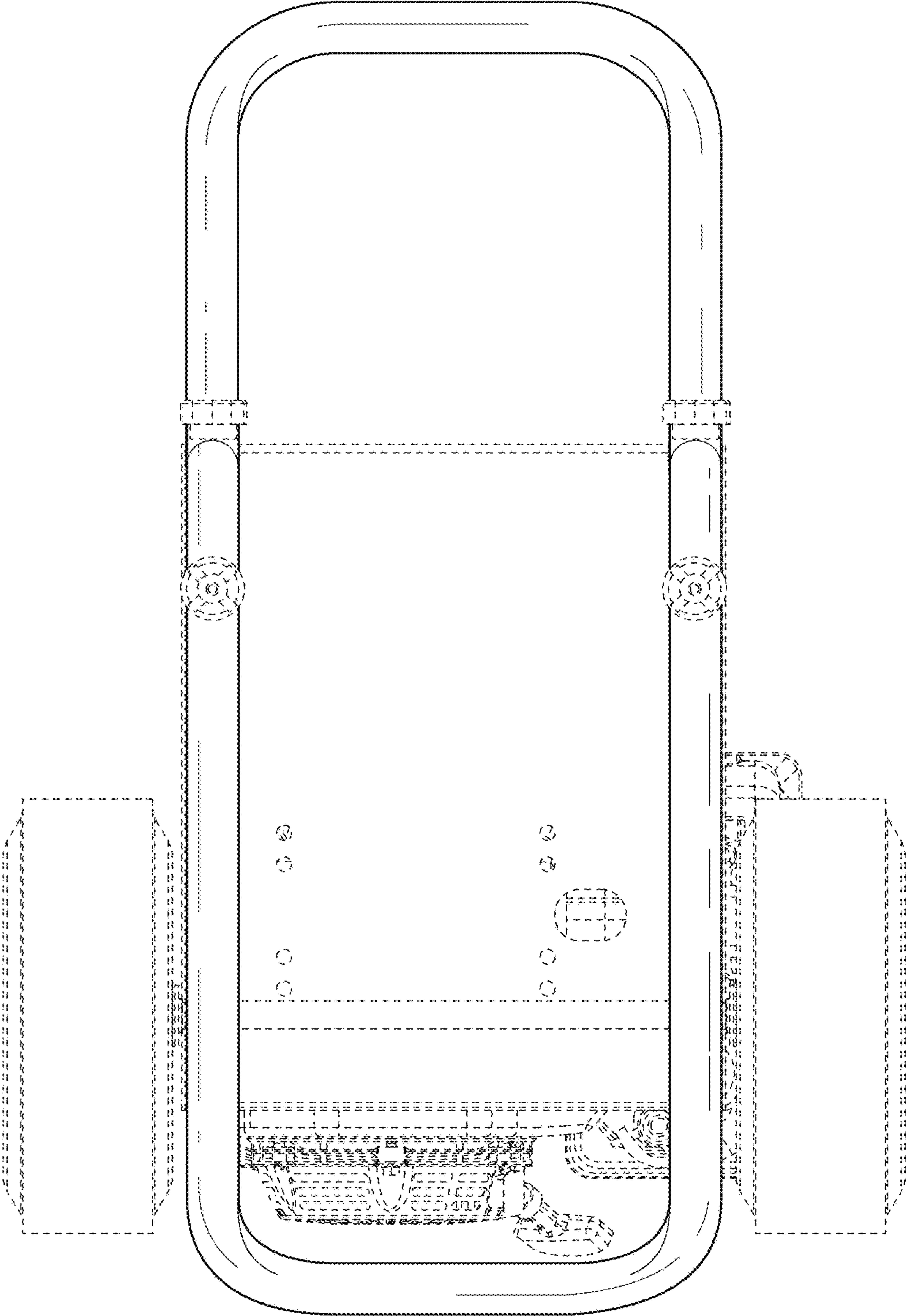


FIG. 7