



US00D824611S

(12) **United States Design Patent**  
**Burchard**

(10) **Patent No.:** **US D824,611 S**

(45) **Date of Patent:** **\*\* Jul. 31, 2018**

(54) **FLOOR CLEANING MACHINE**

(71) Applicant: **Alfred Kaercher GmbH & Co. KG**,  
Winnenden (DE)

(72) Inventor: **Jochen Burchard**, Schwaebisch  
Gmuend (DE)

(73) Assignee: **Alfred Kaercher GmbH & Co. KG**,  
Winnenden (DE)

(\*\*) Term: **15 Years**

(21) Appl. No.: **29/584,307**

(22) Filed: **Nov. 14, 2016**

(30) **Foreign Application Priority Data**

Jun. 10, 2016 (WO) ..... 967771901

(51) **LOC (11) Cl.** ..... **15-05**

(52) **U.S. Cl.**  
USPC ..... **D32/16**

(58) **Field of Classification Search**  
USPC ..... D32/15, 22, 20, 34, 31, 50, 25, 51, 38;  
D4/137

CPC ..... A47L 9/2857; A47L 9/02; A47L 13/146;  
A47L 13/12; A47L 13/20  
See application file for complete search history.

(56) **References Cited**

**U.S. PATENT DOCUMENTS**

4,380,844 A \* 4/1983 Waldhauser ..... A47L 11/30  
15/320  
D290,054 S \* 5/1987 Block ..... D32/15  
D593,717 S \* 6/2009 Vernazza ..... D32/16  
D642,343 S \* 7/2011 Dammkoehler ..... D32/16  
D659,308 S \* 5/2012 Dammkoehler ..... D32/16  
D661,853 S \* 6/2012 Dammkoehler ..... D32/16  
D693,071 S \* 11/2013 Dammkoehler ..... D32/16  
D694,969 S \* 12/2013 Dammkoehler ..... D32/16  
D712,605 S \* 9/2014 Dammkoehler ..... D32/21

D734,573 S \* 7/2015 Dammkoehler ..... D32/16  
D737,005 S \* 8/2015 Dammkoehler ..... D32/16  
2005/0081319 A1 \* 4/2005 Legatt ..... A47L 11/03  
15/320  
2008/0104792 A1 \* 5/2008 Coccapani ..... A47L 11/30  
15/320  
2011/0030163 A1 \* 2/2011 Tucker ..... A47L 11/305  
15/320  
2011/0132402 A1 \* 6/2011 Ickes, III ..... A47L 11/40  
134/18  
2012/0317746 A1 \* 12/2012 Hill ..... A47L 11/302  
15/320  
2014/0026336 A1 \* 1/2014 Maurer ..... A47L 11/4091  
15/3

(Continued)

**OTHER PUBLICATIONS**

Alfred Kaercher GmbH & Co. KG, photograph of a floor cleaning machine, 1 page, date unknown.

*Primary Examiner* — Michelle E Wilson

(74) *Attorney, Agent, or Firm* — Lipsitz & McAllister, LLC

(57) **CLAIM**

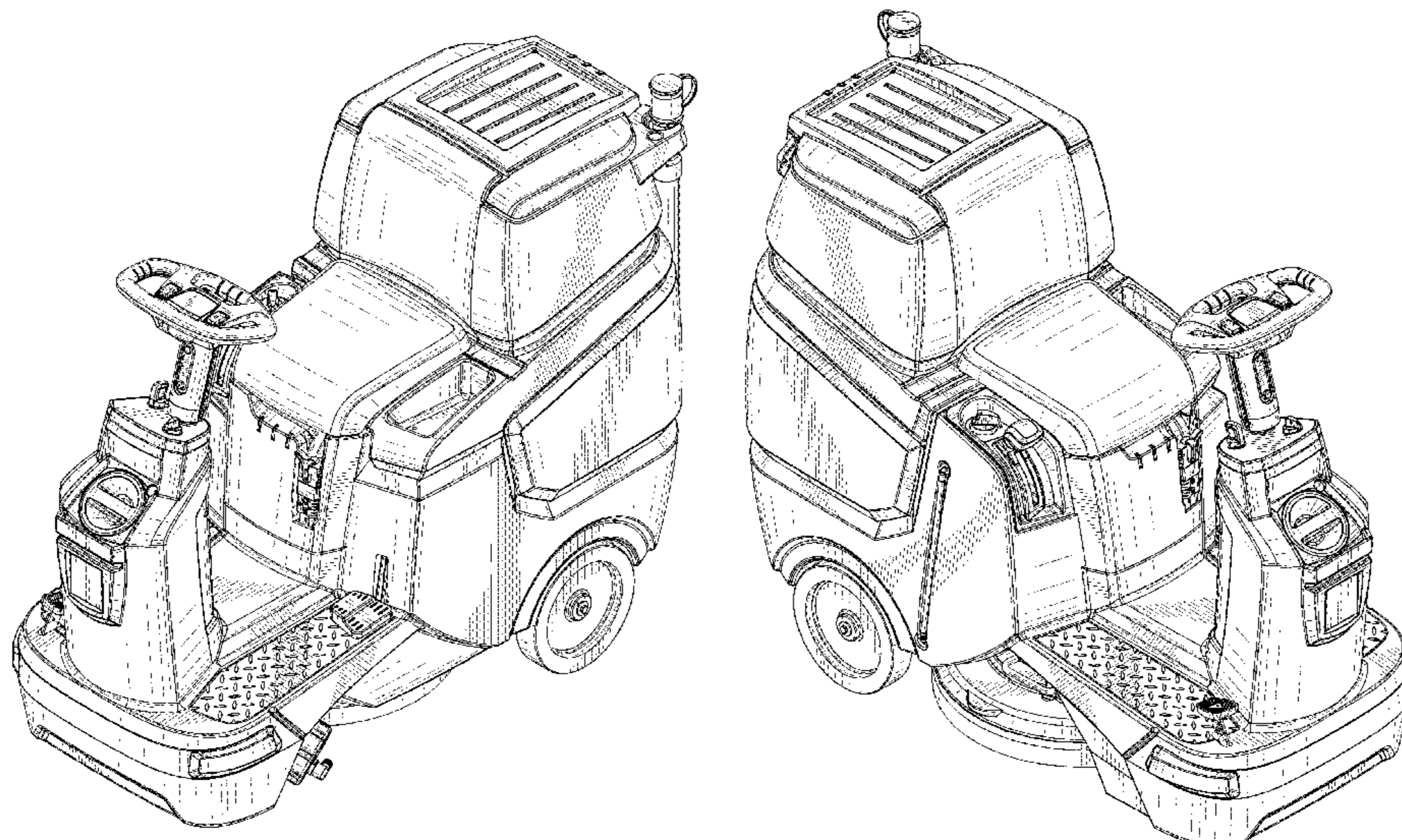
The ornamental design for a floor cleaning machine, as shown and described.

**DESCRIPTION**

FIG. 1 is a front, top and right side perspective view of a floor cleaning machine showing the new design; FIG. 2 is a front, top and left side perspective view thereof; FIG. 3 is a front elevational view thereof; FIG. 4 is a right side elevational view thereof; FIG. 5 is a rear elevational view thereof; FIG. 6 is a left side elevational view thereof; and, FIG. 7 is a top plan view thereof.

The broken line showing of various elements in FIGS. 5 and 6 forms no part of the claimed design.

**1 Claim, 7 Drawing Sheets**



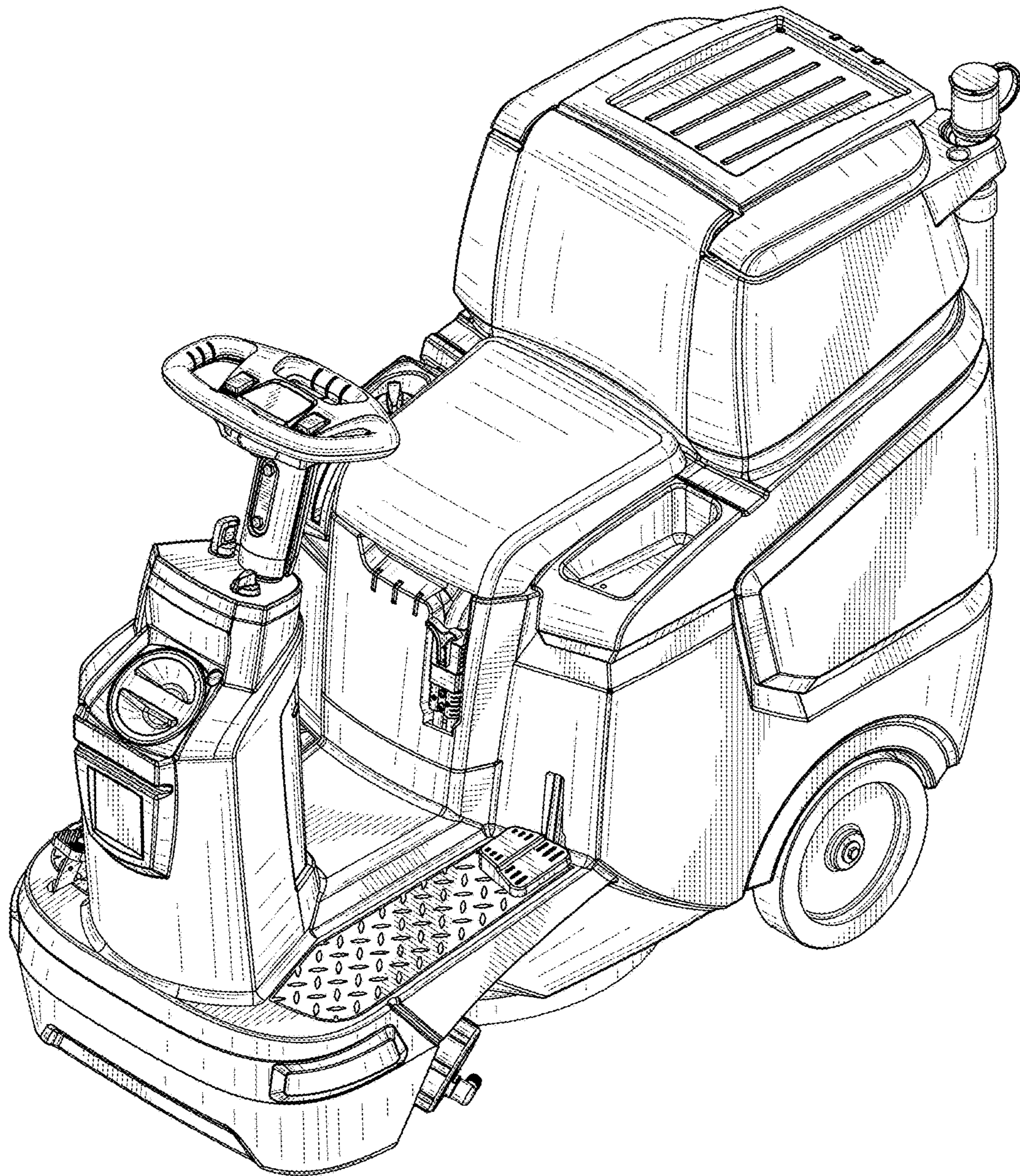
(56)

**References Cited**

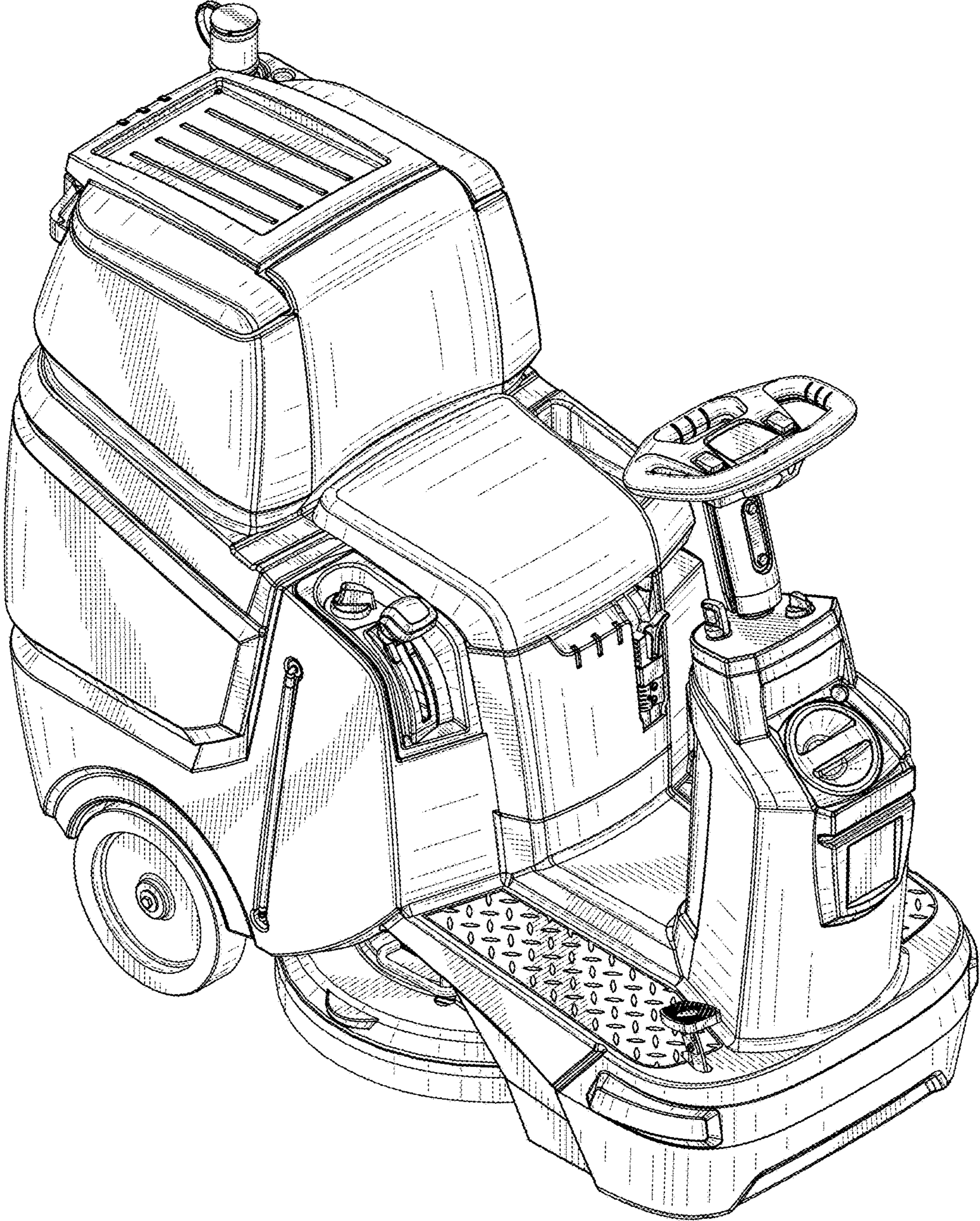
U.S. PATENT DOCUMENTS

2014/0144467 A1\* 5/2014 Merz ..... A47L 11/4055  
134/6  
2016/0073845 A1\* 3/2016 Walz ..... A47L 11/305  
134/18  
2016/0278598 A1\* 9/2016 Werner ..... A47L 11/2025

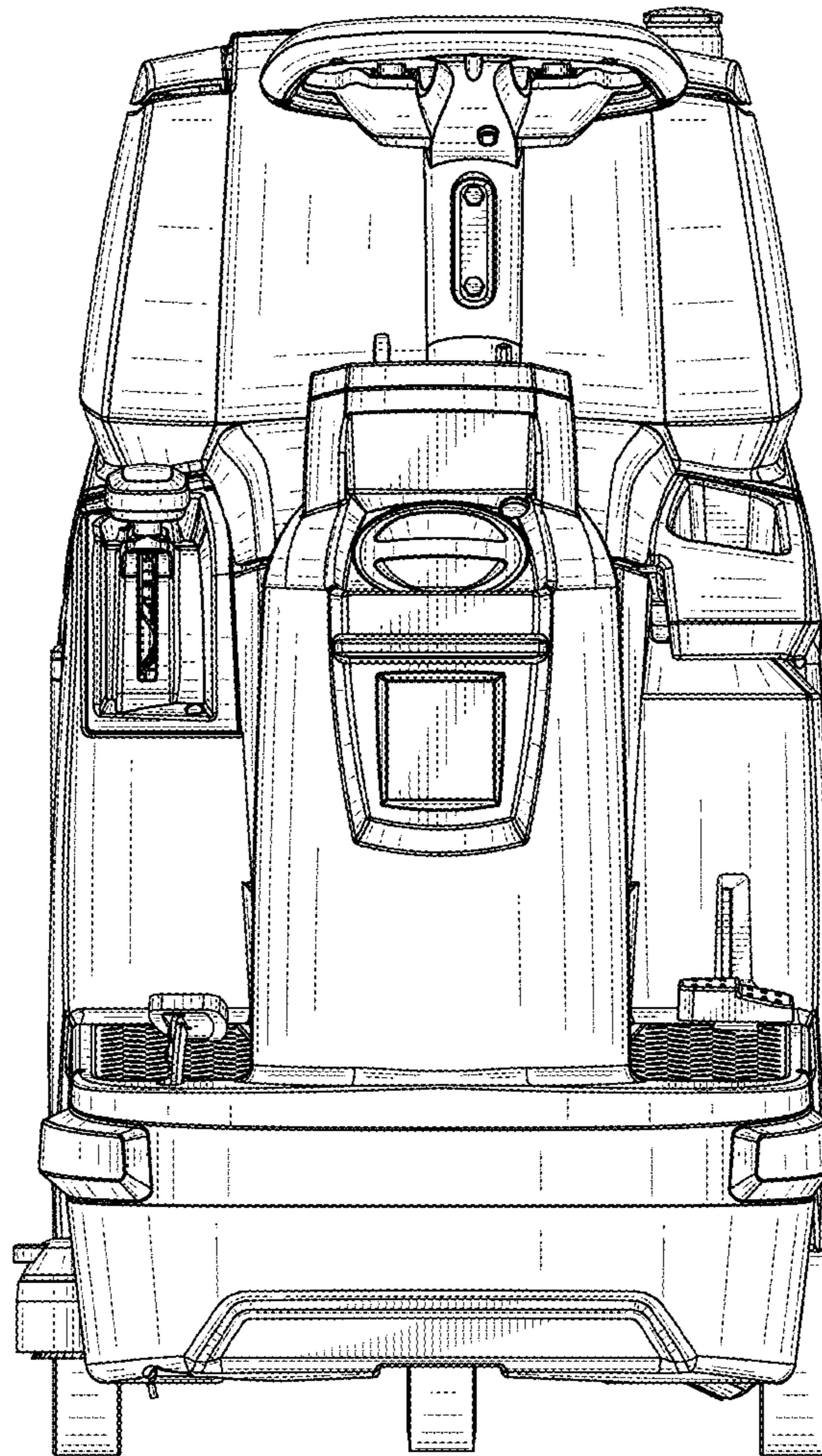
\* cited by examiner



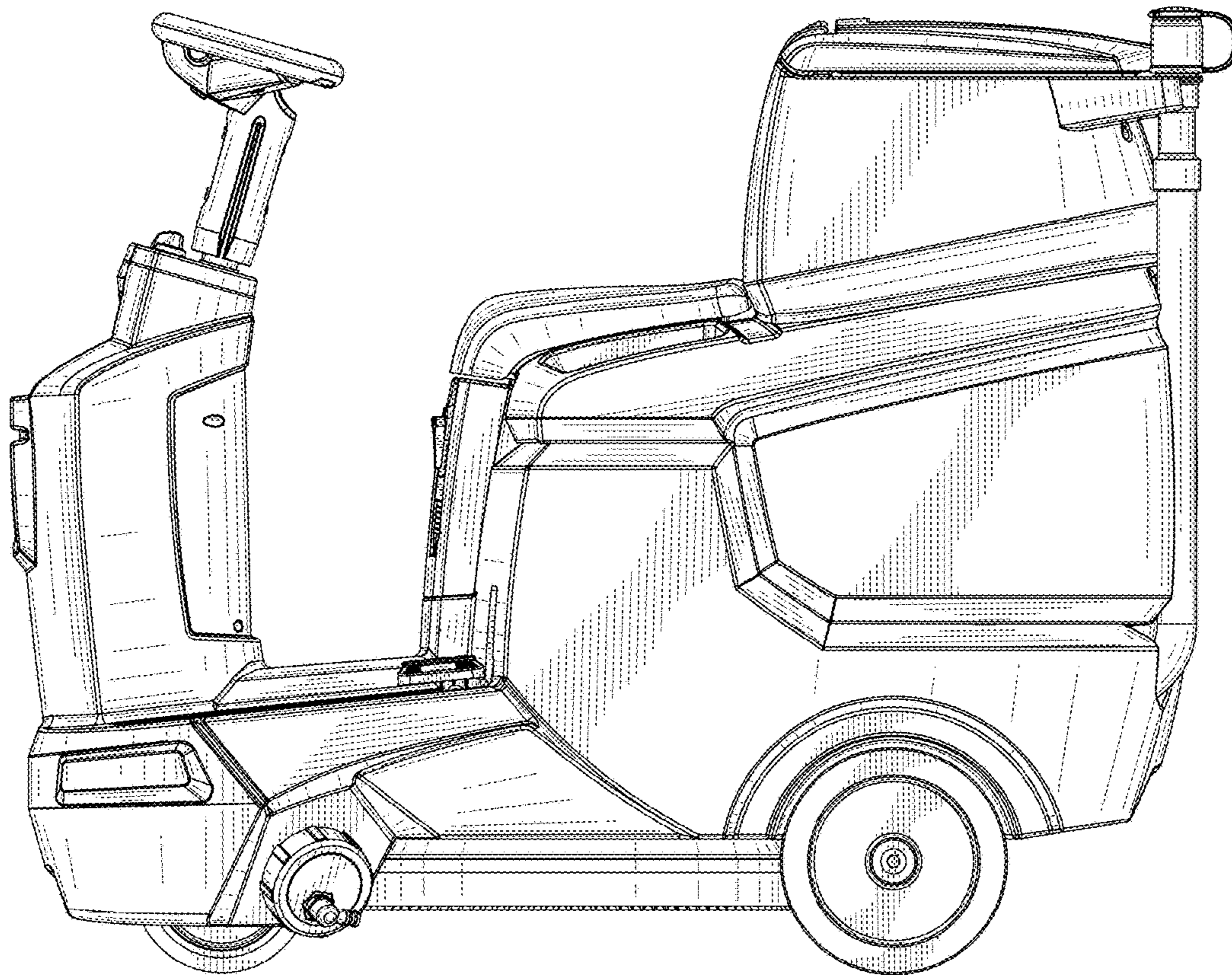
**FIG.1**



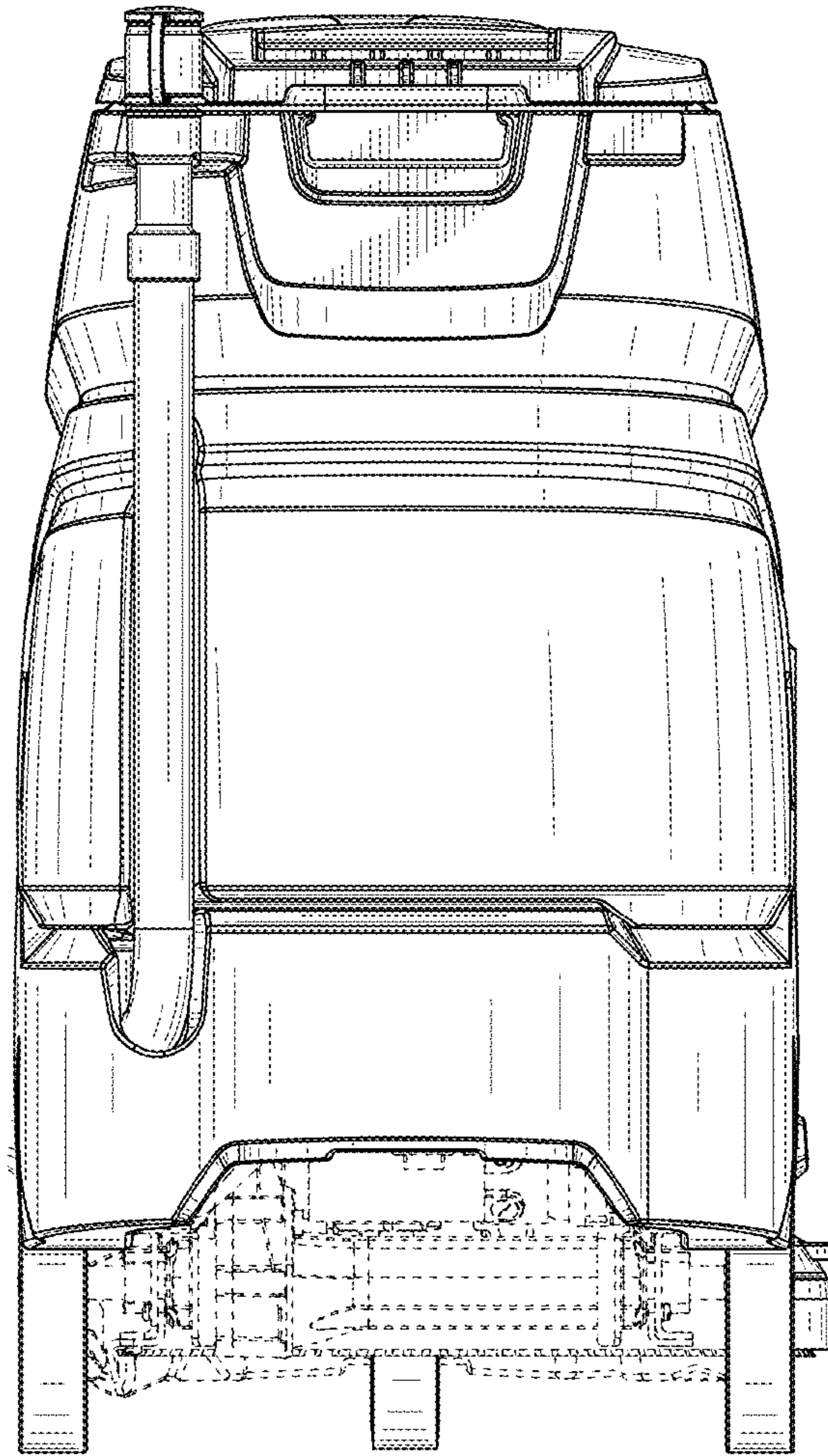
**FIG.2**



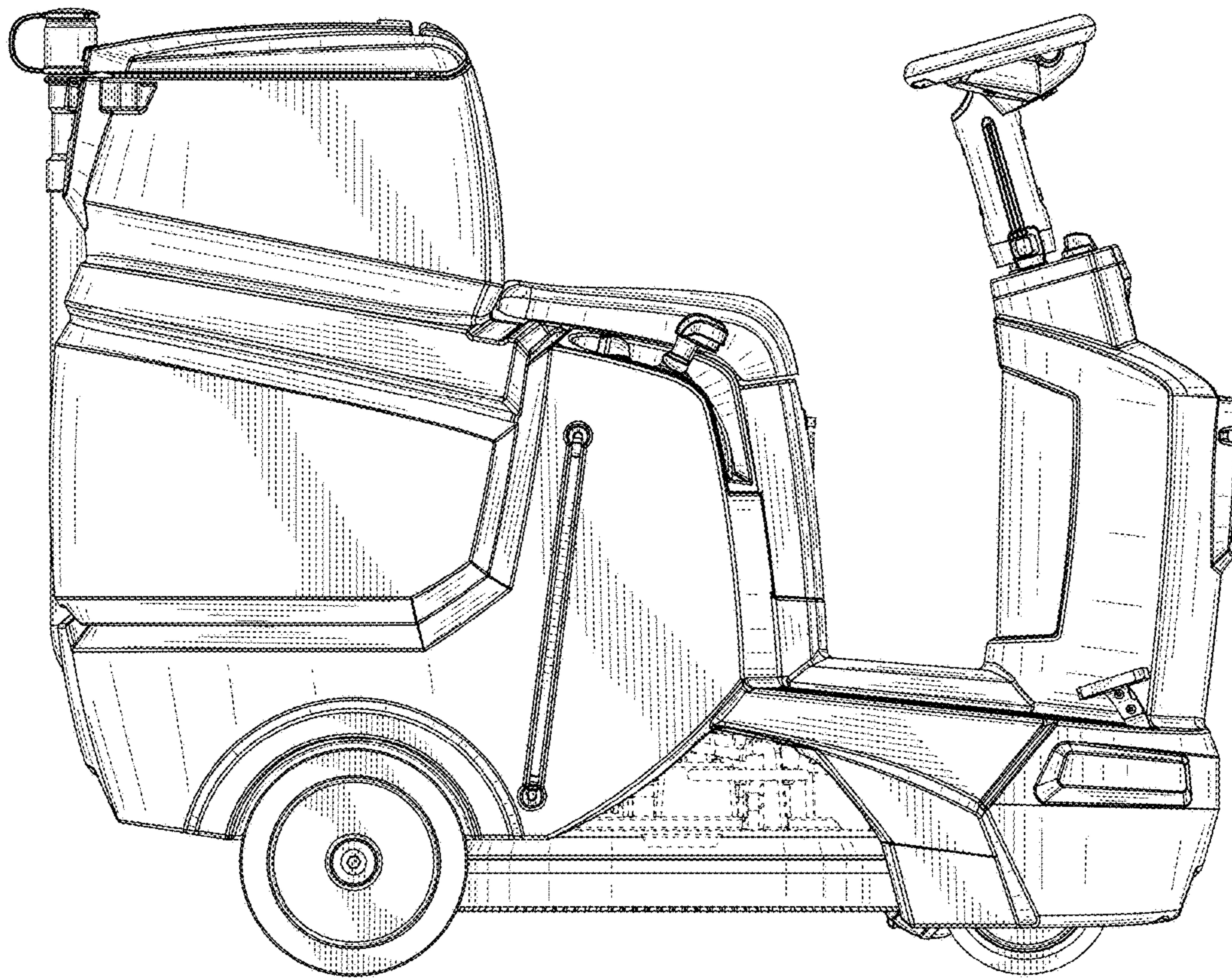
**FIG.3**



**FIG.4**

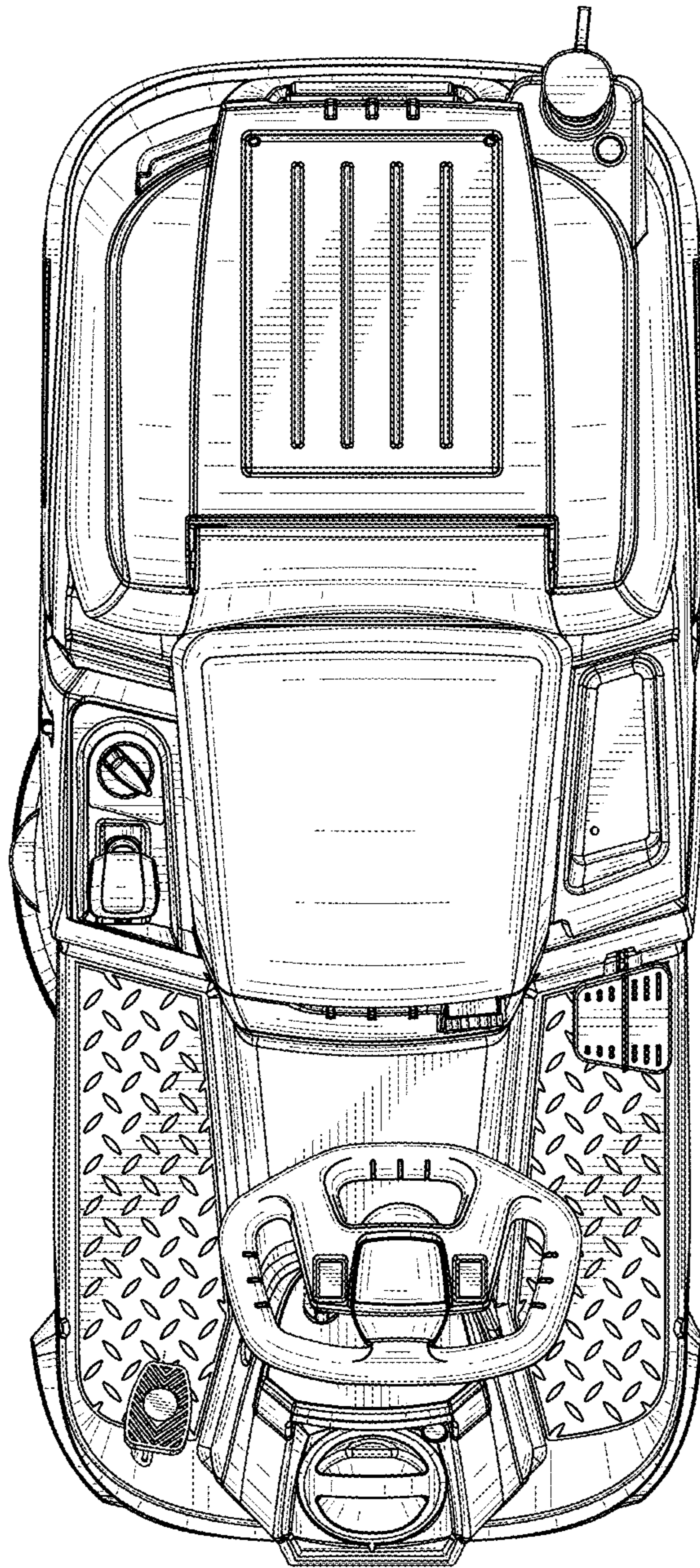


**FIG.5**



**FIG.6**





**FIG.7**