



US00D824610S

(12) **United States Design Patent**  
**Lokkinen**

(10) **Patent No.:** **US D824,610 S**

(45) **Date of Patent:** **\*\* Jul. 31, 2018**

(54) **CLEANING DEVICE**

(71) Applicant: **Picote Oy Ltd.**, Porvoo (FI)

(72) Inventor: **Mika Lokkinen**, Tallinn (EE)

(73) Assignee: **PICOTE SOLUTIONS OY LTD.**,  
Porvoo (FI)

(\*\*) Term: **15 Years**

(21) Appl. No.: **29/569,440**

(22) Filed: **Jun. 28, 2016**

(51) **LOC (11) Cl.** ..... **15-05**

(52) **U.S. Cl.**  
USPC ..... **D32/14**

(58) **Field of Classification Search**  
USPC ..... D32/14, 25, 30-31  
CPC ..... E03F 9/002; B08B 9/045  
See application file for complete search history.

(56) **References Cited**

**U.S. PATENT DOCUMENTS**

D31,370 S *	8/1899	Forsyth	.....	D32/14
1,864,617 A *	6/1932	Ree	.....	E03F 9/002 15/104.33
2,292,713 A *	8/1942	O'Leary	.....	E03F 9/002 15/104.09
2,813,408 A *	11/1957	Christodolu	.....	E03F 9/002 15/104.001
3,329,044 A *	7/1967	Singer	.....	E03F 9/005 15/104.33
4,067,248 A *	1/1978	Lavagetto	.....	E03C 1/302 15/104.33
D284,125 S *	6/1986	Burke	.....	D32/14
D582,108 S *	12/2008	Duff	.....	D32/14

D639,623 S *	6/2011	Tash	.....	D32/14
D651,773 S *	1/2012	Antal	.....	D32/14
D706,004 S *	5/2014	Dennis	.....	D32/14
D707,406 S *	6/2014	Dennis	.....	D32/14
D745,230 S *	12/2015	Rutkowski	.....	D32/14
2012/0005849 A1 *	1/2012	Tash	.....	B08B 9/045 15/104.33

\* cited by examiner

*Primary Examiner* — Michelle E Wilson

(74) *Attorney, Agent, or Firm* — Fasth Law Offices; Rolf Fasth

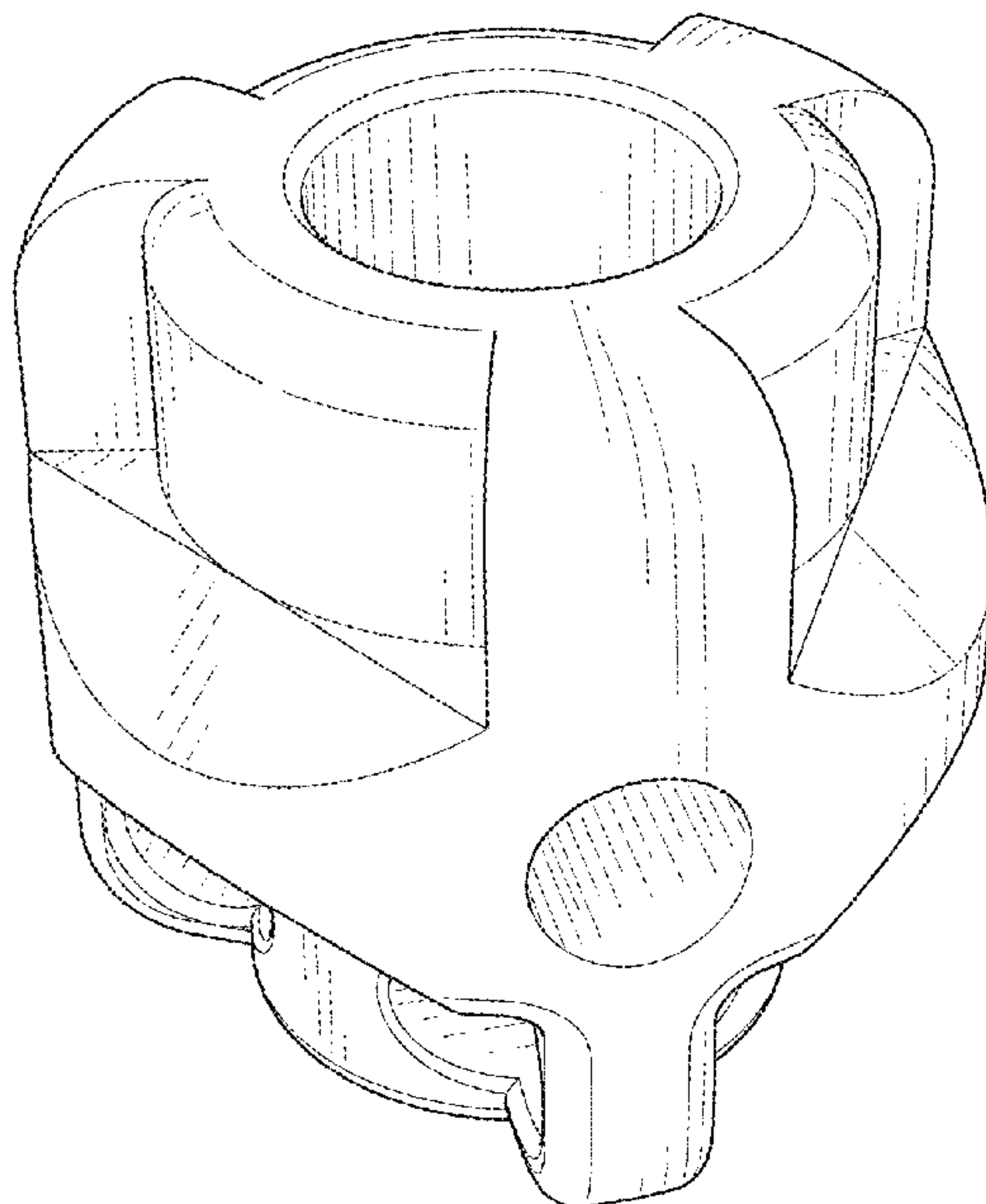
(57) **CLAIM**

The ornamental design for a cleaning device, as shown and described.

**DESCRIPTION**

FIG. 1 is a perspective top view of the cleaning device shown in FIG. 1;  
 FIG. 2 is a perspective bottom view of the cleaning device shown in FIG. 1.  
 FIG. 3 is an elevational front view of the cleaning device shown in FIG. 1;  
 FIG. 4 is an elevational rear view of the cleaning device shown in FIG. 1;  
 FIG. 5 is an elevational left side view of the cleaning device;  
 FIG. 6 is an elevational right side view of the cleaning device;  
 FIG. 7 is a top view of the cleaning device of the present invention; and,  
 FIG. 8 is a bottom view of the cleaning device of the present invention.

**1 Claim, 8 Drawing Sheets**



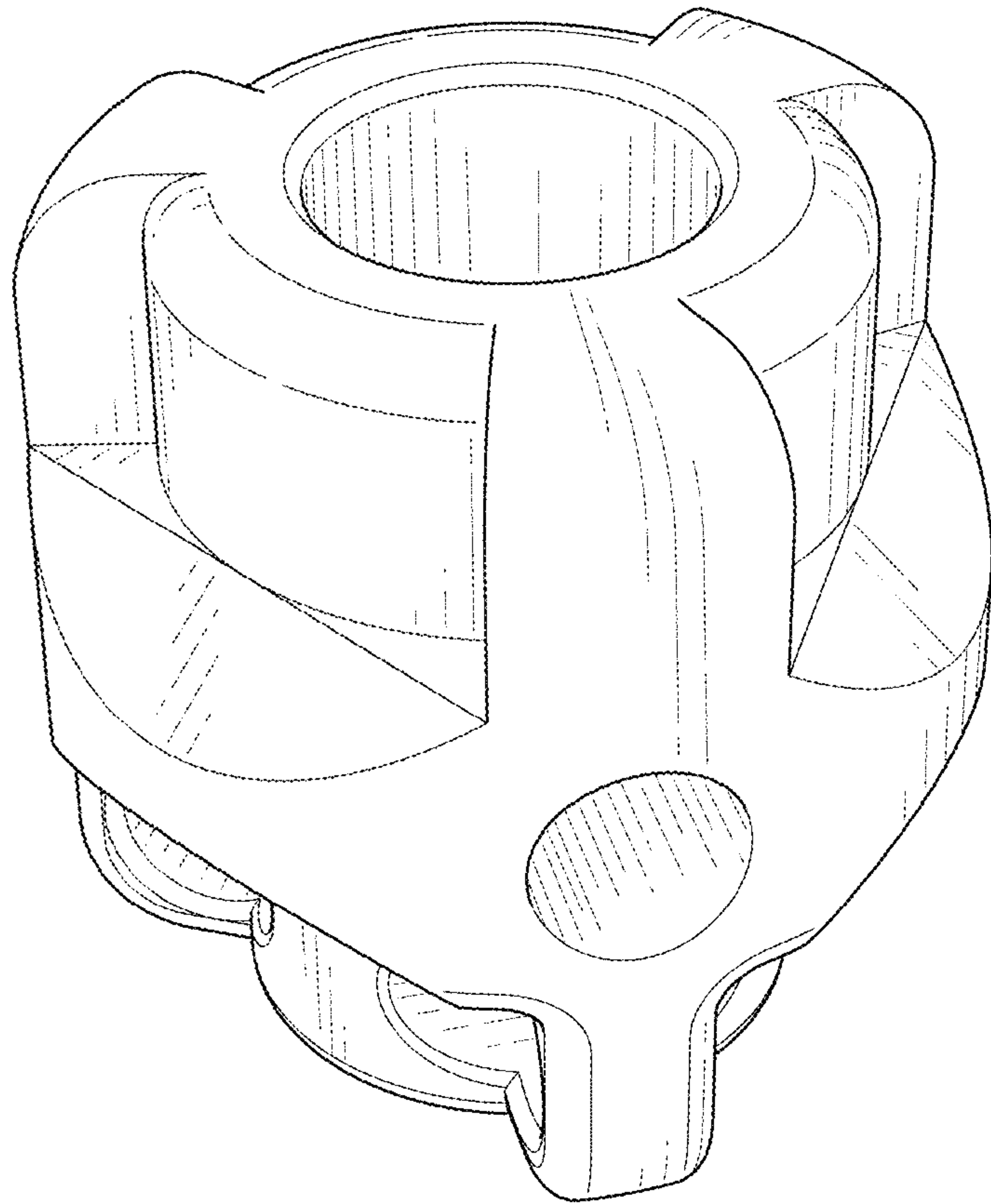


FIG. 1

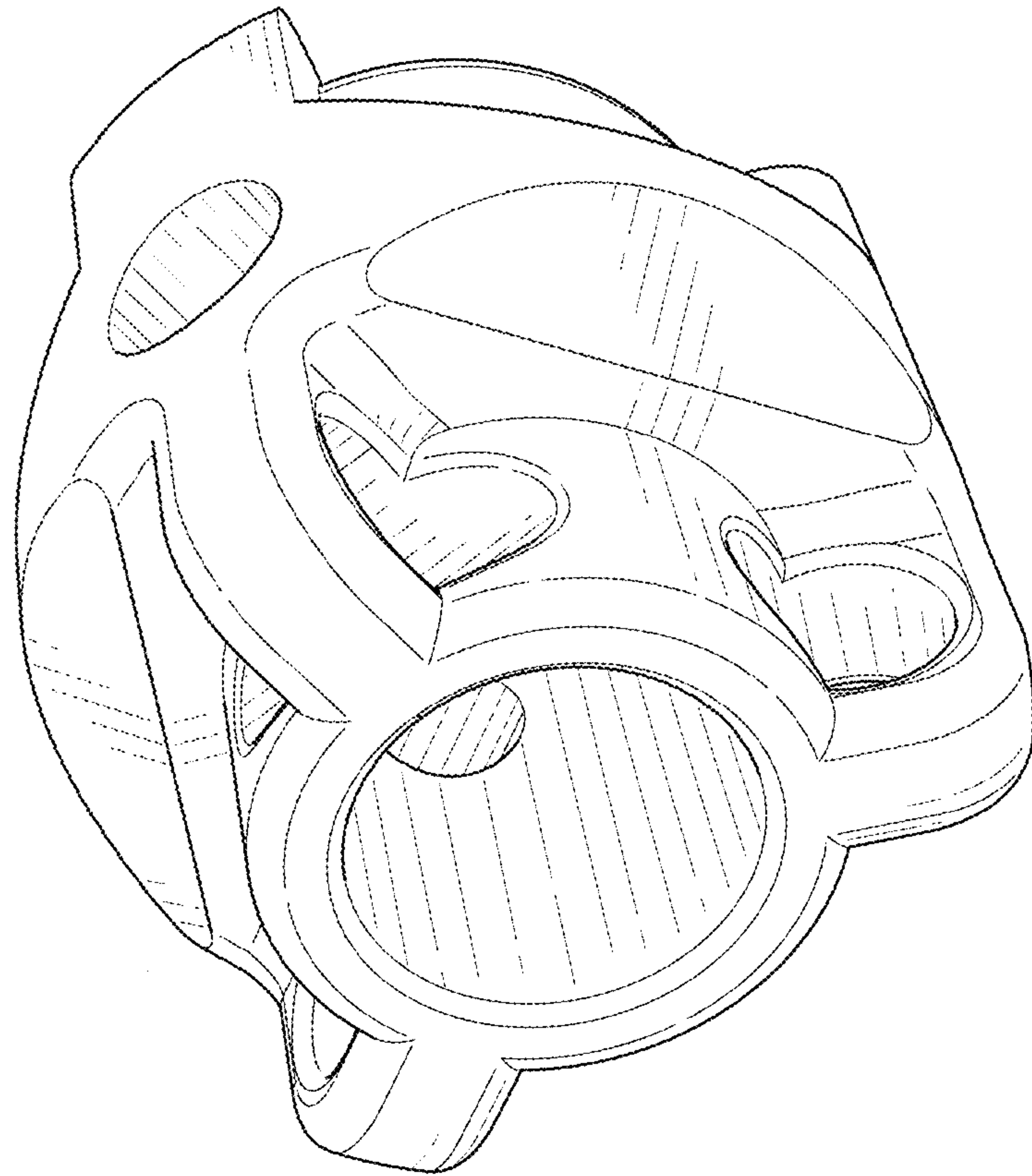


FIG. 2

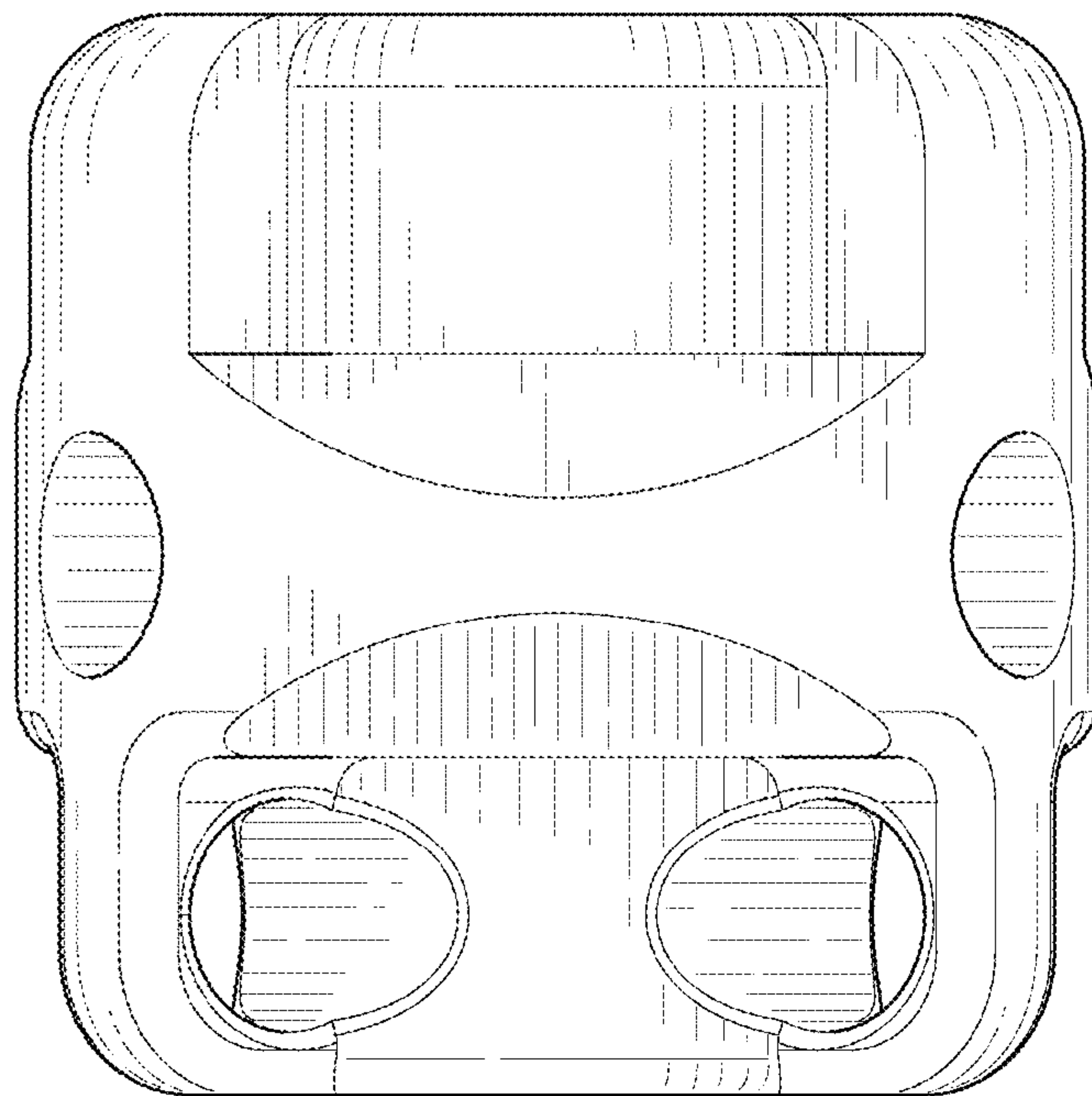


FIG. 3

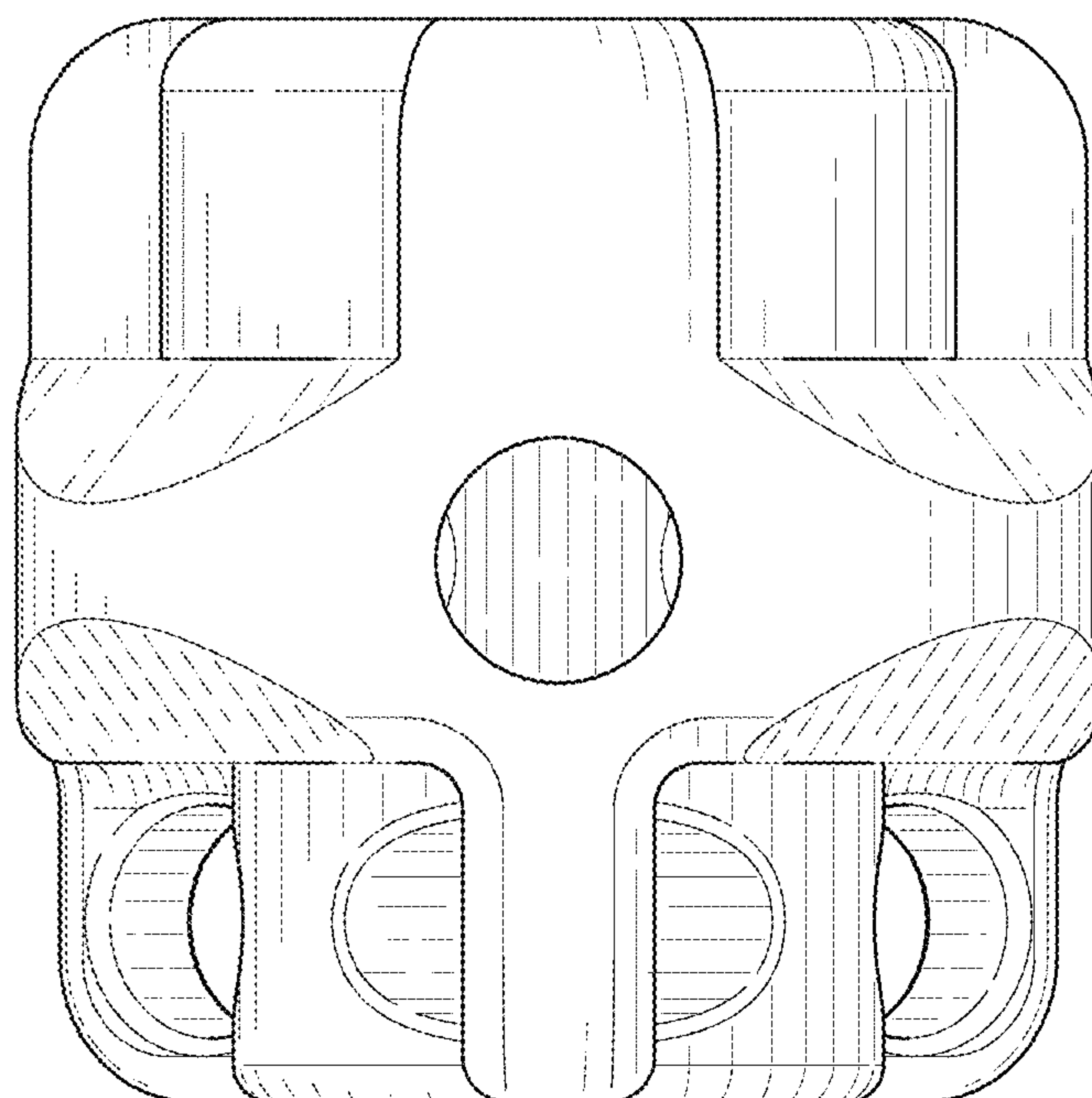


FIG. 4

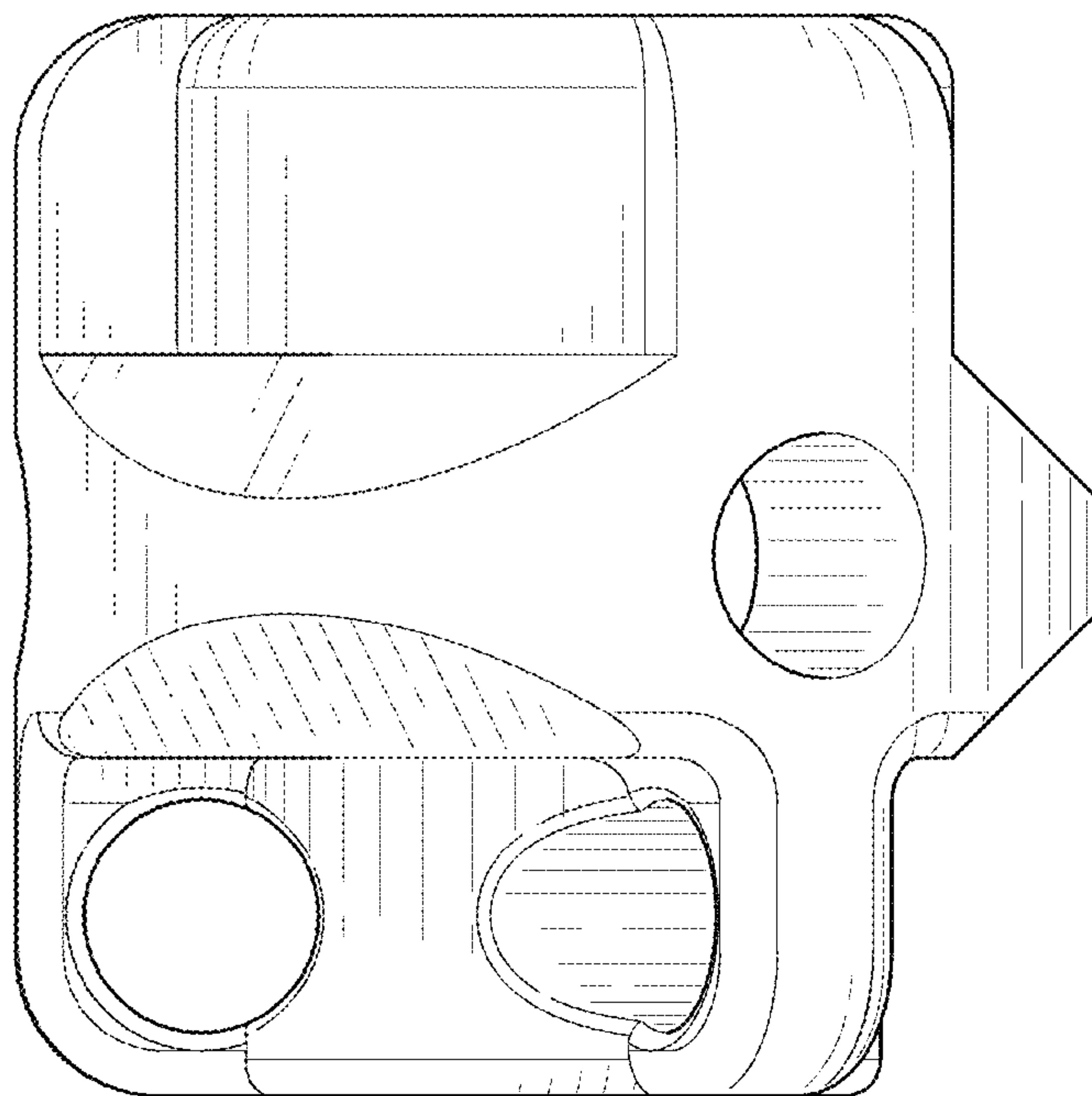


FIG. 5



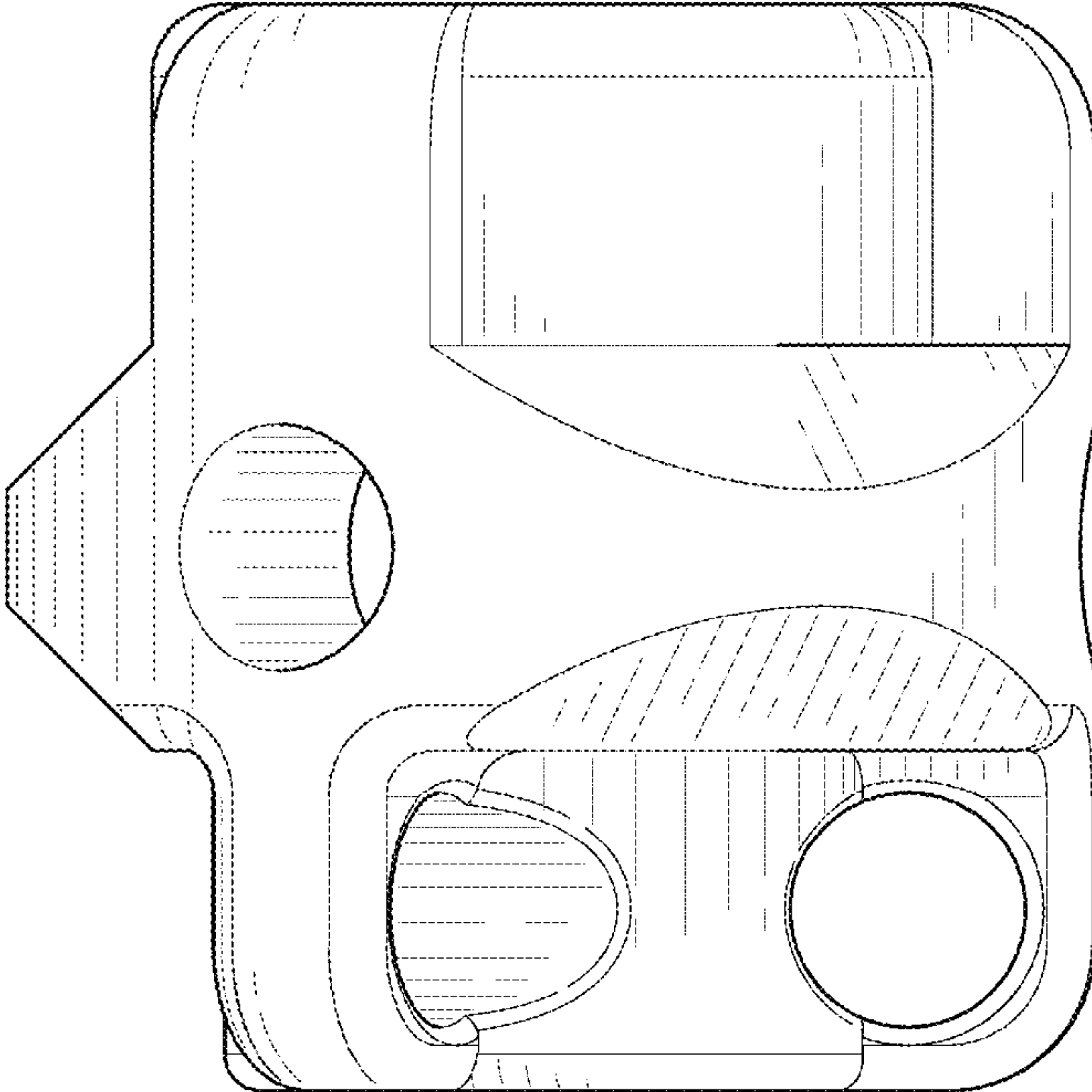


FIG. 6

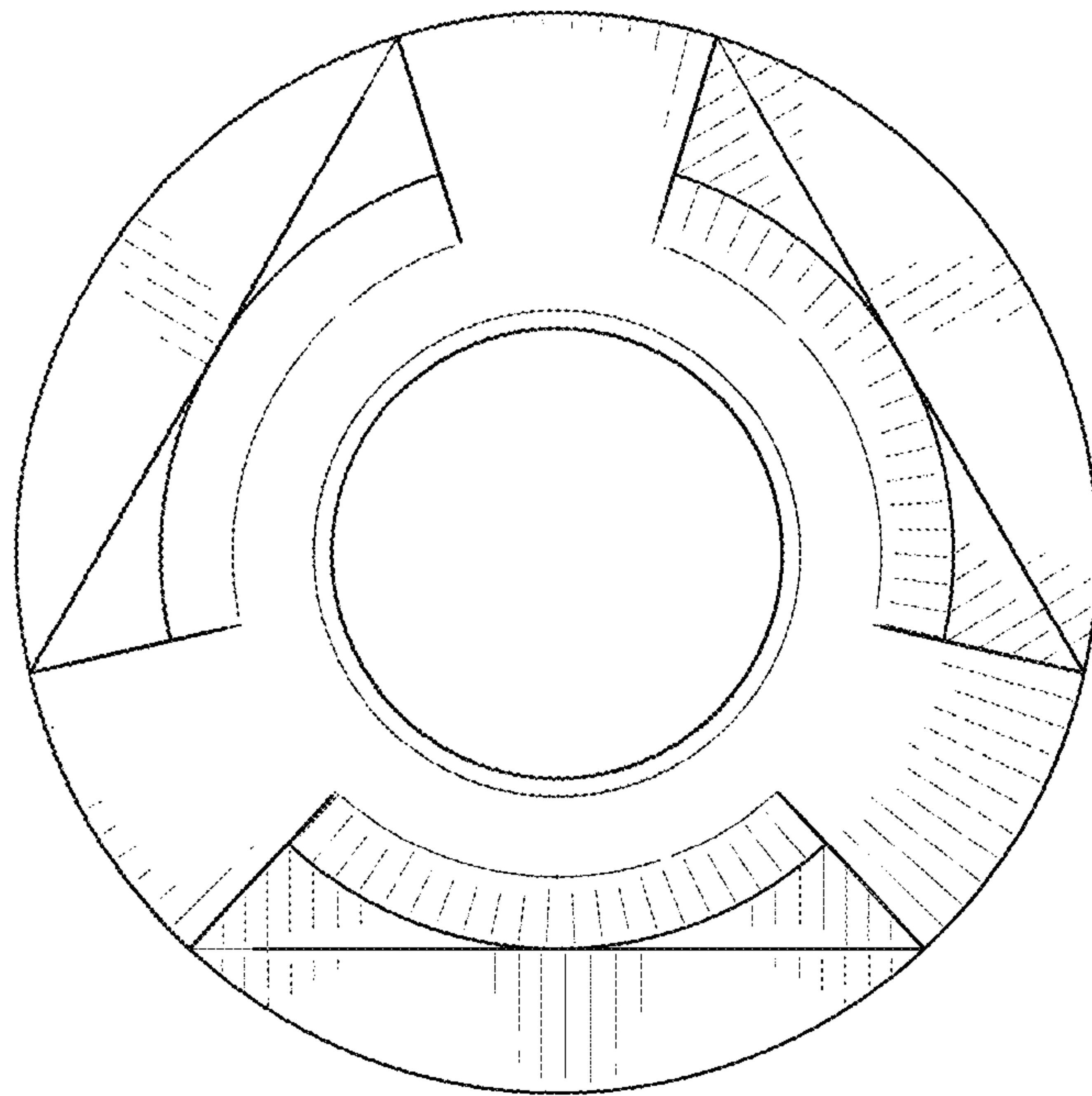


FIG. 7



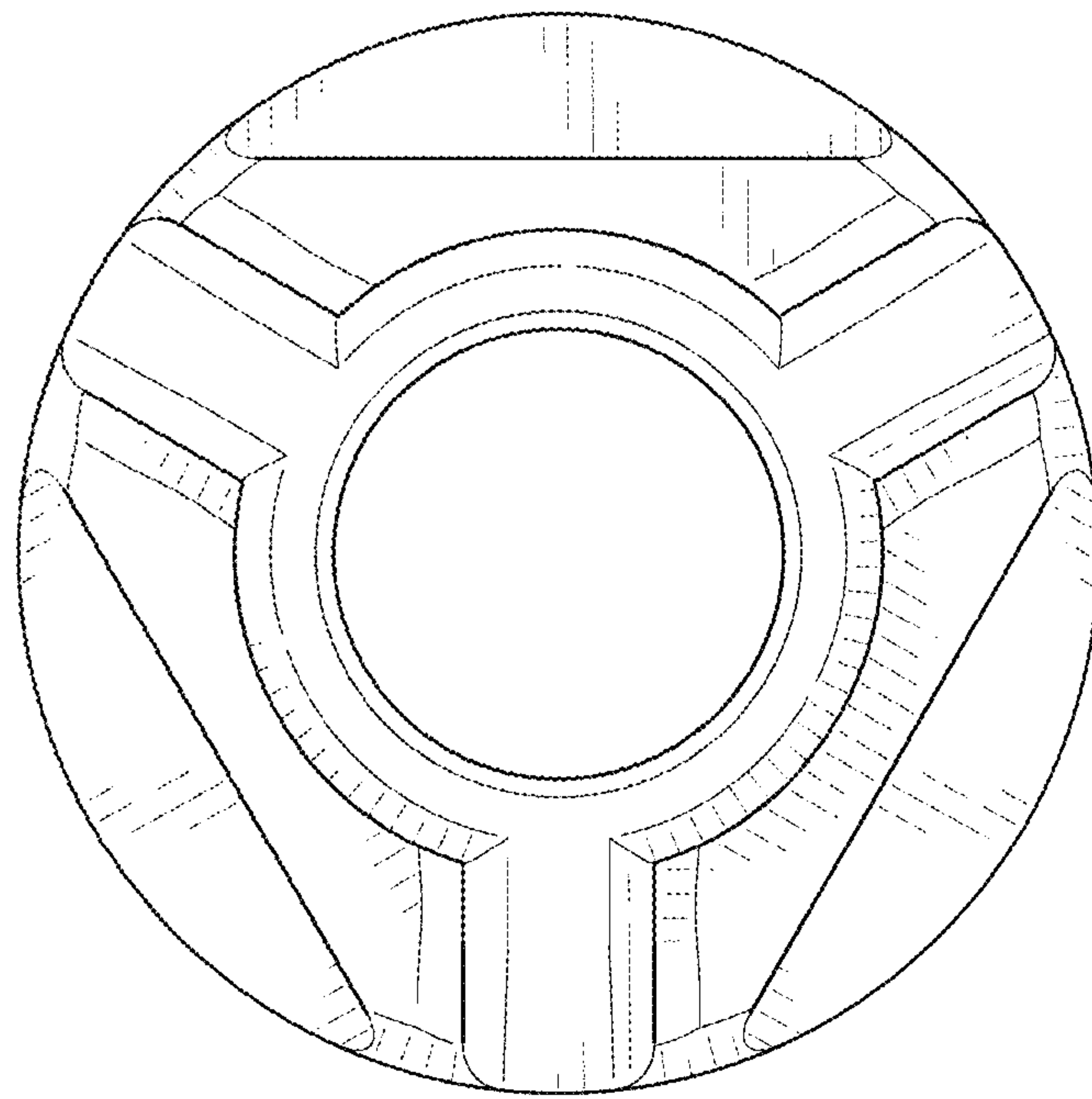


FIG. 8