



US00D824609S

(12) **United States Design Patent** (10) **Patent No.:** **US D824,609 S**  
**Lokkinen** (45) **Date of Patent:** **\*\* Jul. 31, 2018**

(54) **CLEANING DEVICE**

(71) Applicant: **Picote Oy Ltd.**, Porvoo (FI)  
(72) Inventor: **Mika Lokkinen**, Tallinn (EE)  
(73) Assignee: **Picote Solutions Oy Ltd.**, Porvoo (FI)

(\*\*) Term: **15 Years**

(21) Appl. No.: **29/569,439**

(22) Filed: **Jun. 28, 2016**

(51) **LOC (11) Cl.** ..... **15-05**

(52) **U.S. Cl.**  
USPC ..... **D32/14**

(58) **Field of Classification Search**  
USPC ..... D32/14, 25, 30-31; D8/65, 70, 499;  
D34/29, 35  
CPC ..... E03F 9/002; B08B 9/045  
See application file for complete search history.

(56) **References Cited**

**U.S. PATENT DOCUMENTS**

1,864,617	A *	6/1932	Ree	.....	E03F 9/002	15/104.33
2,292,713	A *	8/1942	O'Leary	.....	E03F 9/002	15/104.09
2,813,408	A *	11/1957	Christodolu	.....	E03F 9/002	15/104.001
D706,004	S *	5/2014	Dennis	.....	D32/14	
D707,406	S *	6/2014	Dennis	.....	D32/14	
2012/0005849	A1 *	1/2012	Tash	.....	B08B 9/045	15/104.33

**OTHER PUBLICATIONS**

<http://www.picotesolutions.com/new-products> (Accessed Nov. 20, 2017).\*  
<http://www.picotesolutions.com/new-products> (Accessed on Jan. 31, 2018).\*  
<http://www.picotesolutions.com/grinding-chains-1> (Accessed on Jan. 31, 2018).\*

\* cited by examiner

*Primary Examiner* — Michelle E Wilson  
(74) *Attorney, Agent, or Firm* — Fasth Law Offices; Rolf Fasth

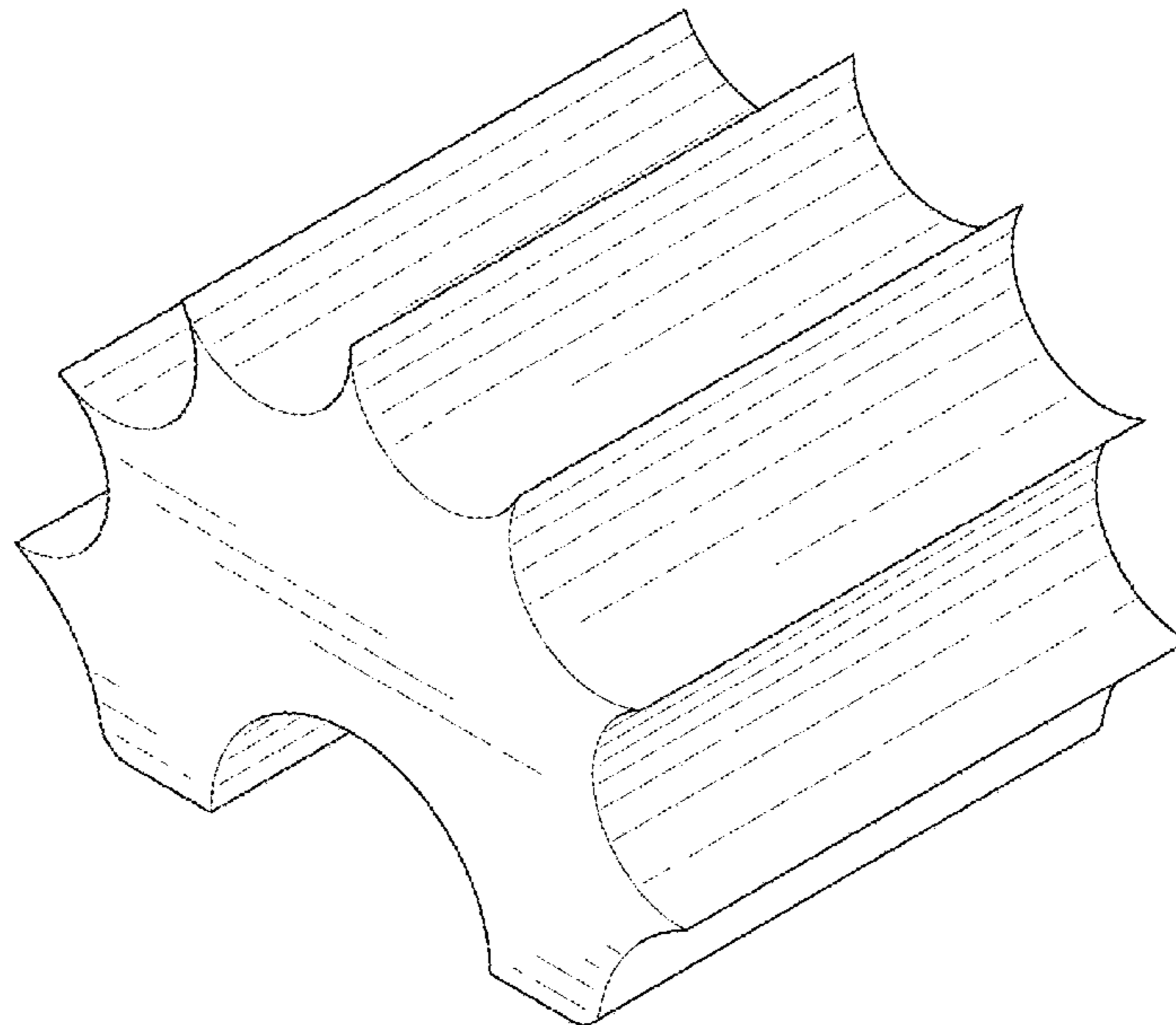
(57) **CLAIM**

The ornamental design for a cleaning device, as shown and described.

**DESCRIPTION**

FIG. 1 is a perspective top view of the cleaning device shown in FIG. 1;  
FIG. 2 is a perspective bottom view of the cleaning device shown in FIG. 1.  
FIG. 3 is an elevational front view of the cleaning device shown in FIG. 1;  
FIG. 4 is an elevational rear view of the cleaning device shown in FIG. 1;  
FIG. 5 is an elevational left side view of the cleaning device;  
FIG. 6 is an elevational right side view of the cleaning device;  
FIG. 7 is a top view of the cleaning device of the present invention; and,  
FIG. 8 is a bottom view of the cleaning device of the present invention.

**1 Claim, 8 Drawing Sheets**



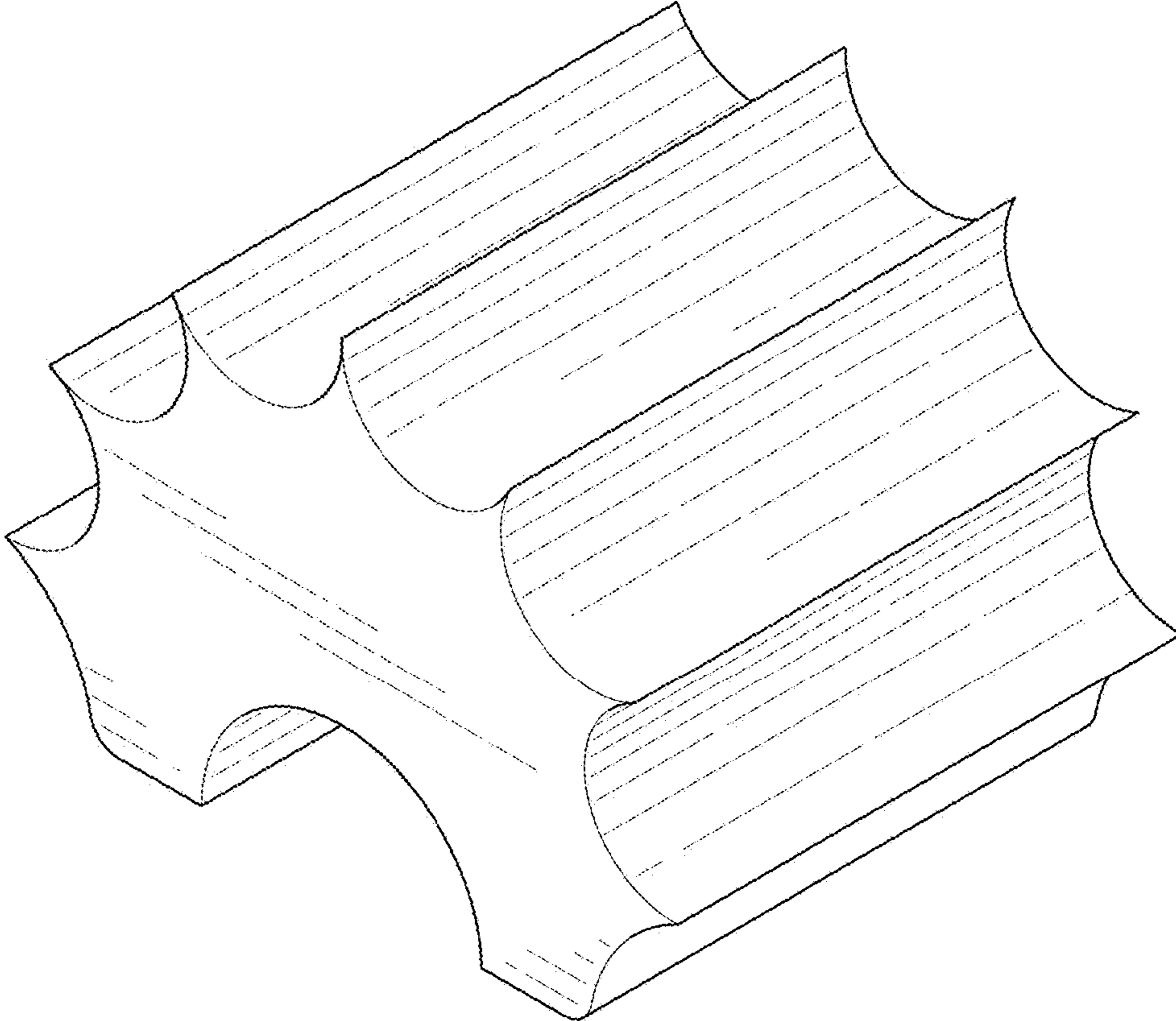


FIG. 1

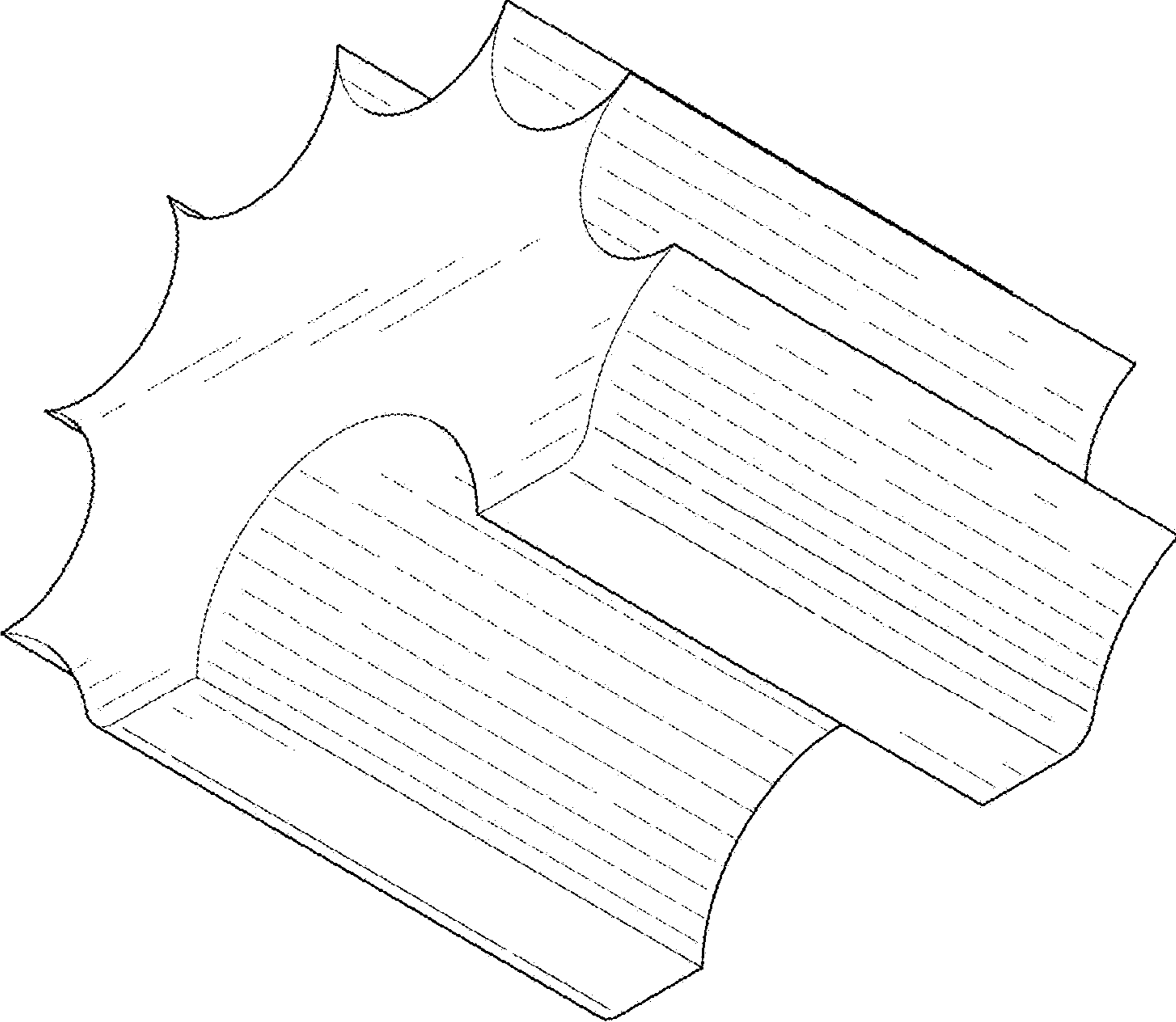


FIG. 2

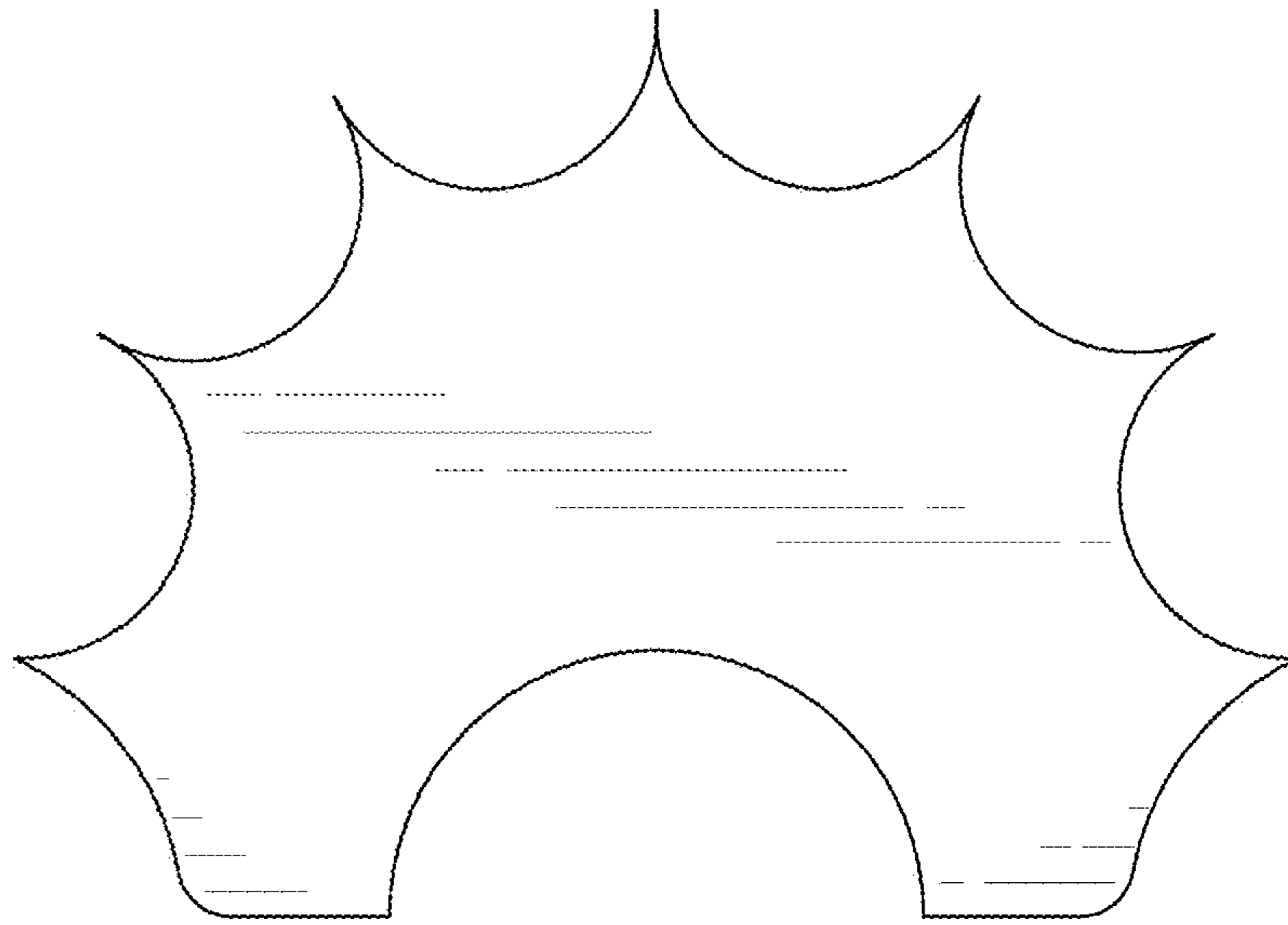


FIG. 3

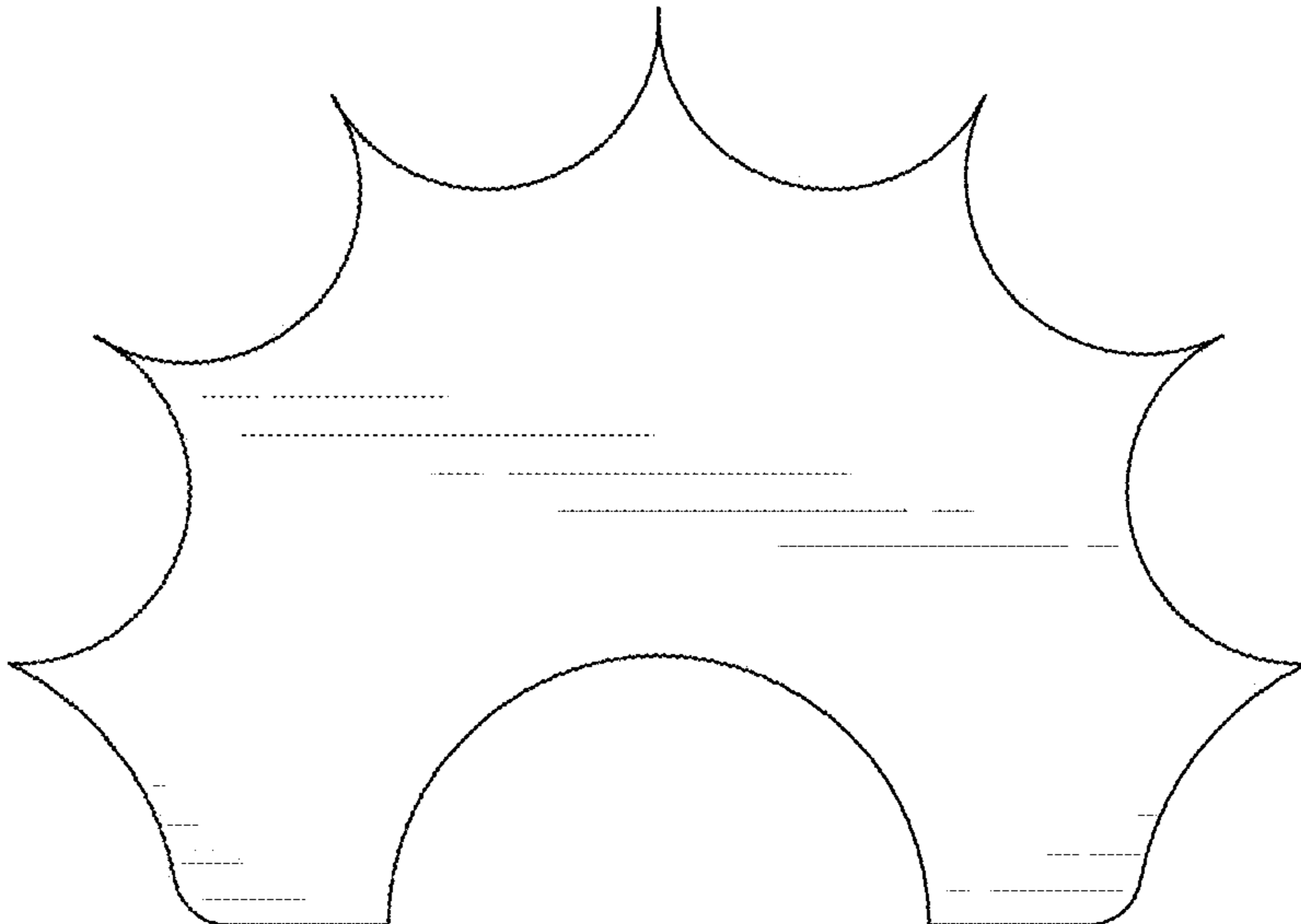


FIG. 4

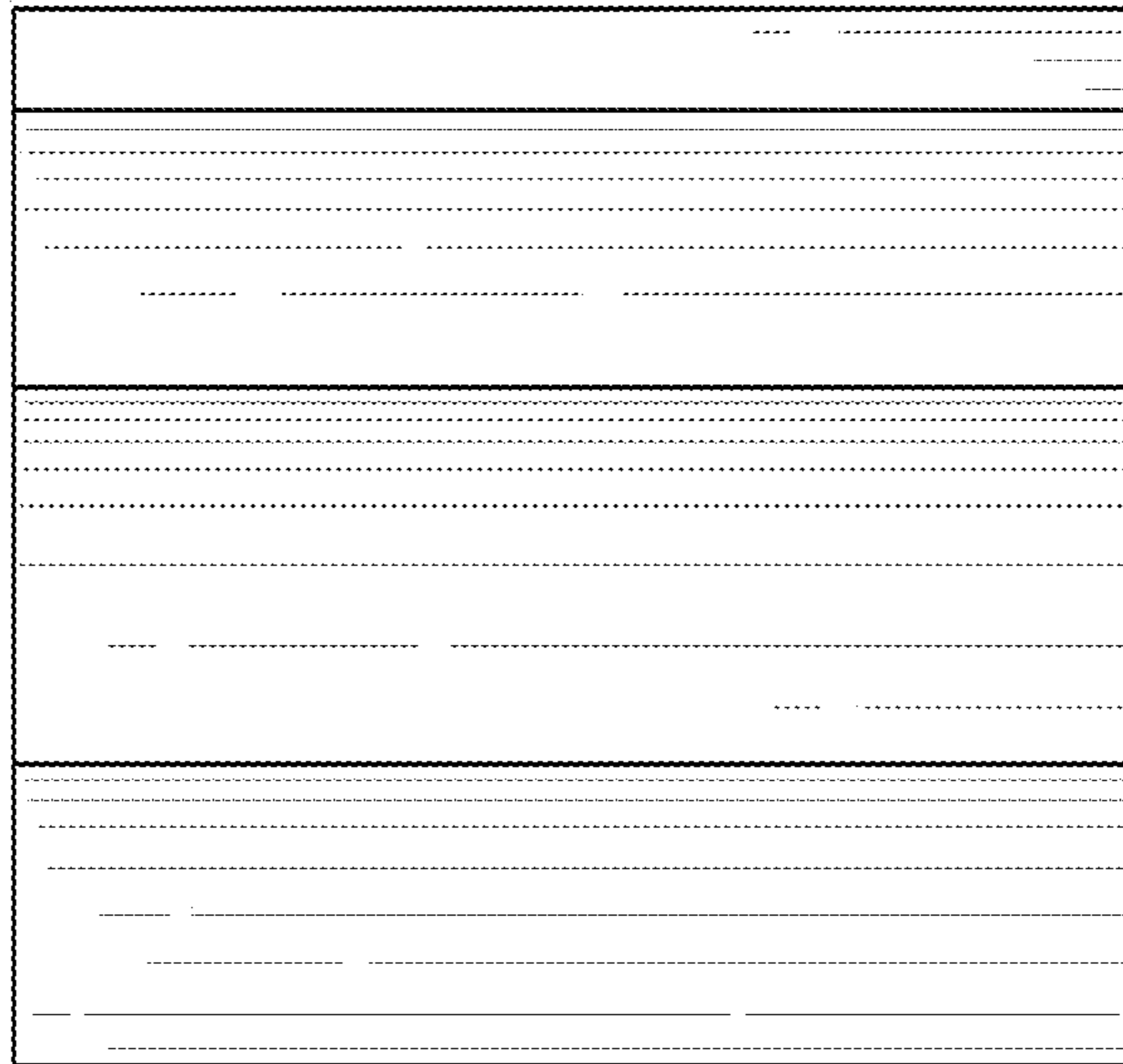


FIG. 5

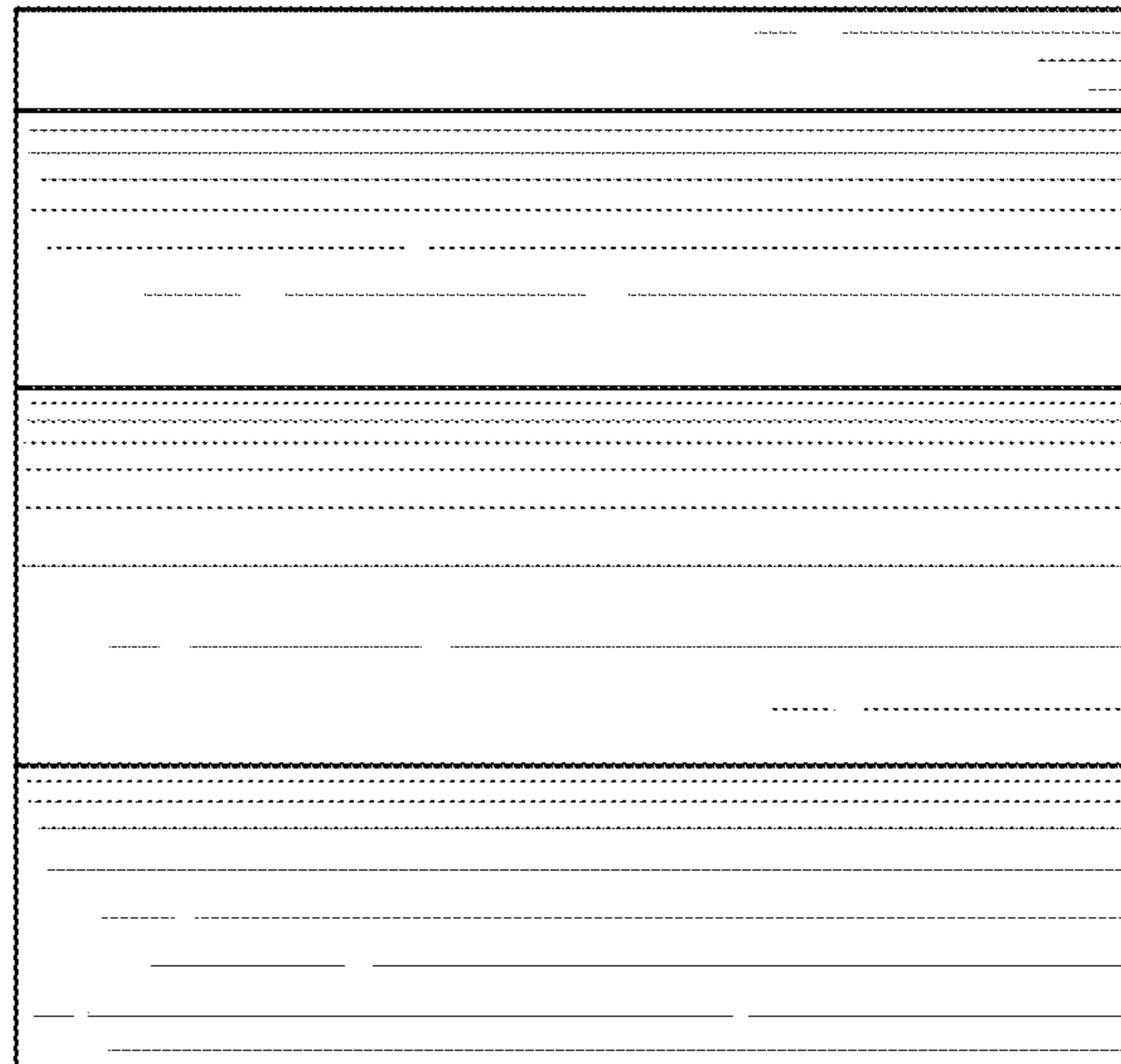


FIG. 6

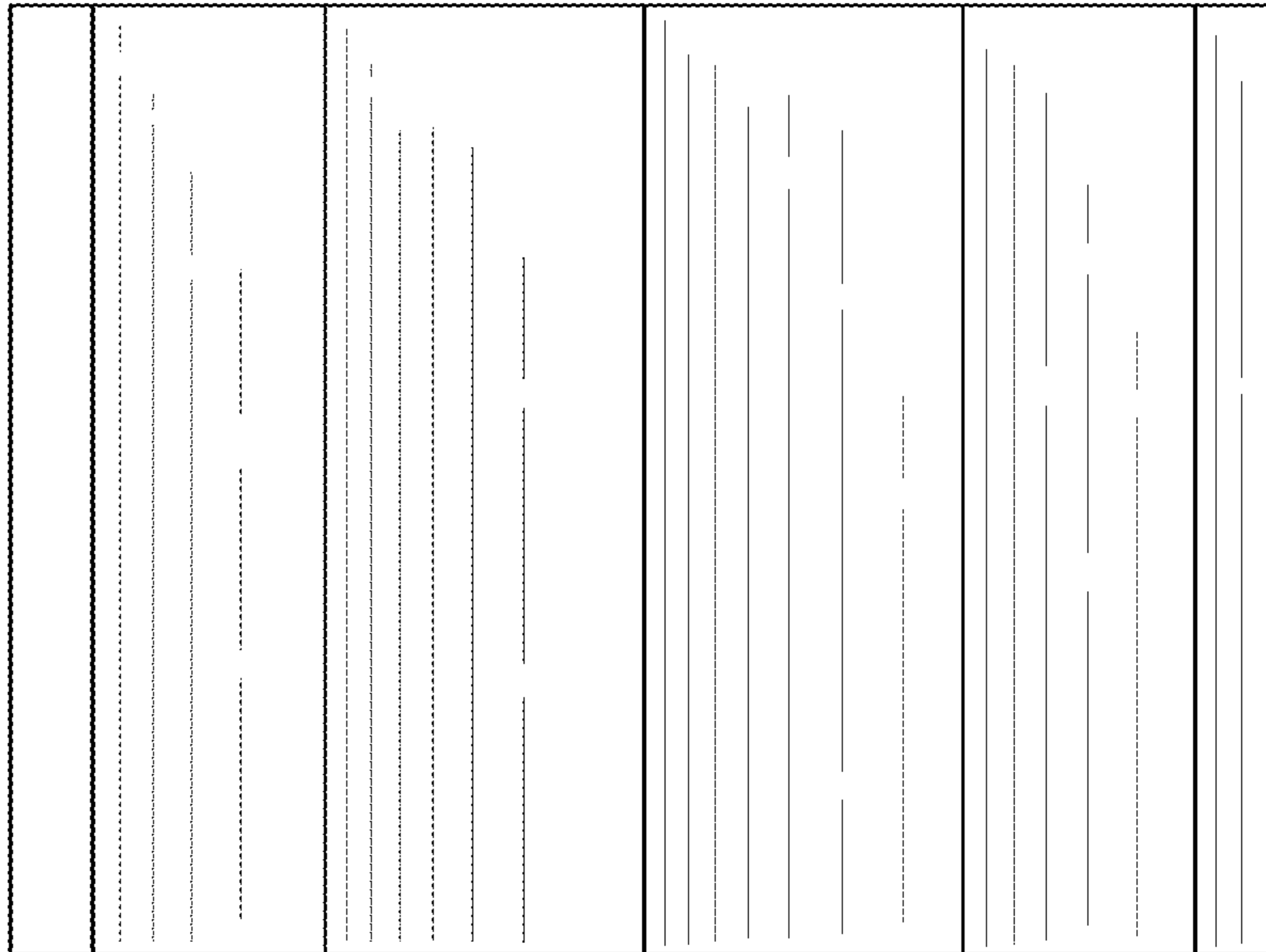


FIG. 7



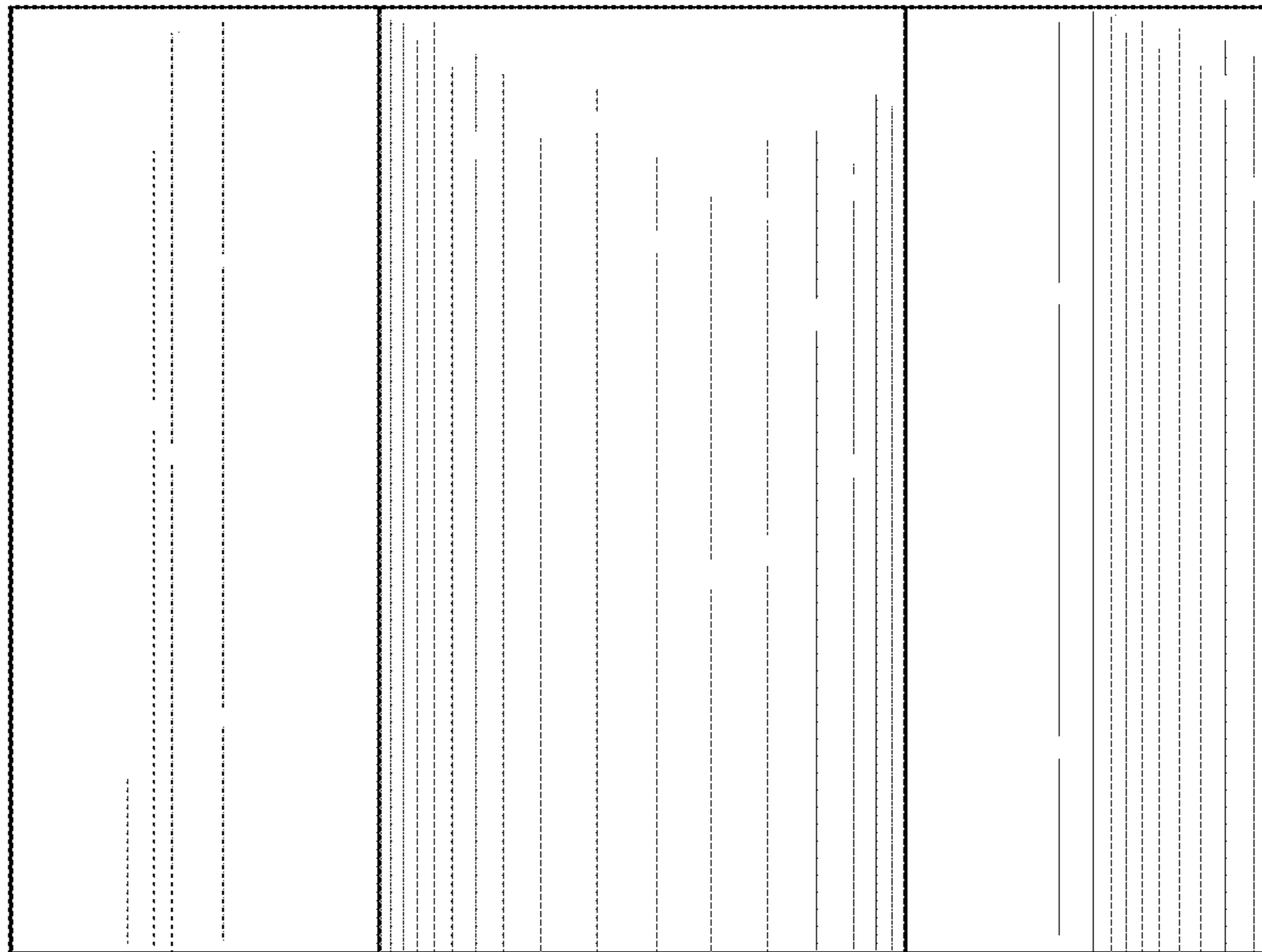


FIG. 8