



US00D824608S

(12) **United States Design Patent** (10) **Patent No.:** **US D824,608 S**
Bixby et al. (45) **Date of Patent:** **** Jul. 31, 2018**

- (54) **TOPLOAD WASHING APPLIANCE**
- (71) Applicant: **WHIRLPOOL CORPORATION**,
Benton Harbor, MI (US)
- (72) Inventors: **Seth E. Bixby**, Stevensville, MI (US);
Richard K. Gresens, Saint Joseph, MI
(US); **John W. McConnell**, Saint
Joseph, MI (US); **Patrick J. Schiavone**,
Benton Harbor, MI (US); **Samuel B.**
Breneman, Saint Joseph, MI (US)
- (73) Assignee: **Whirlpool Corporation**, Benton
Harbor, MI (US)
- (**) Term: **15 Years**
- (21) Appl. No.: **29/607,502**
- (22) Filed: **Jun. 14, 2017**

Related U.S. Application Data

- (62) Division of application No. 29/499,777, filed on Aug.
19, 2014, now Pat. No. Des. 793,012.
- (51) **LOC (11) Cl.** **15-05**
- (52) **U.S. Cl.**
USPC **D32/6**
- (58) **Field of Classification Search**
USPC D32/1, 5, 6, 8, 12, 25, 28, 29
CPC D06F 33/02; D06F 39/02; D06F 2204/065;
D06F 25/00; D06F 35/006; D06F 58/00;
D06F 58/02; D06F 58/04; D06F 58/20;
D06F 23/04; D06F 39/12; D06F 39/022;
G05B 19/042
- See application file for complete search history.

(56) **References Cited**

U.S. PATENT DOCUMENTS

- 4,307,588 A 12/1981 Smith et al.
4,429,817 A 2/1984 Ikeda

- D359,602 S 6/1995 Swartz et al.
D360,500 S 7/1995 Millet et al.
D380,883 S 7/1997 Katz et al.
D446,891 S 8/2001 Kim
D465,308 S 11/2002 Resuello et al.
D491,324 S 6/2004 Kim et al.
D492,073 S 6/2004 Sneddon
D527,150 S 8/2006 Jun
D527,853 S 9/2006 Carey et al.
D532,941 S 11/2006 Carey et al.

(Continued)

Primary Examiner — Michael A. Pratt

Assistant Examiner — Michelle E Wilson

(74) *Attorney, Agent, or Firm* — Price Heneveld LLP

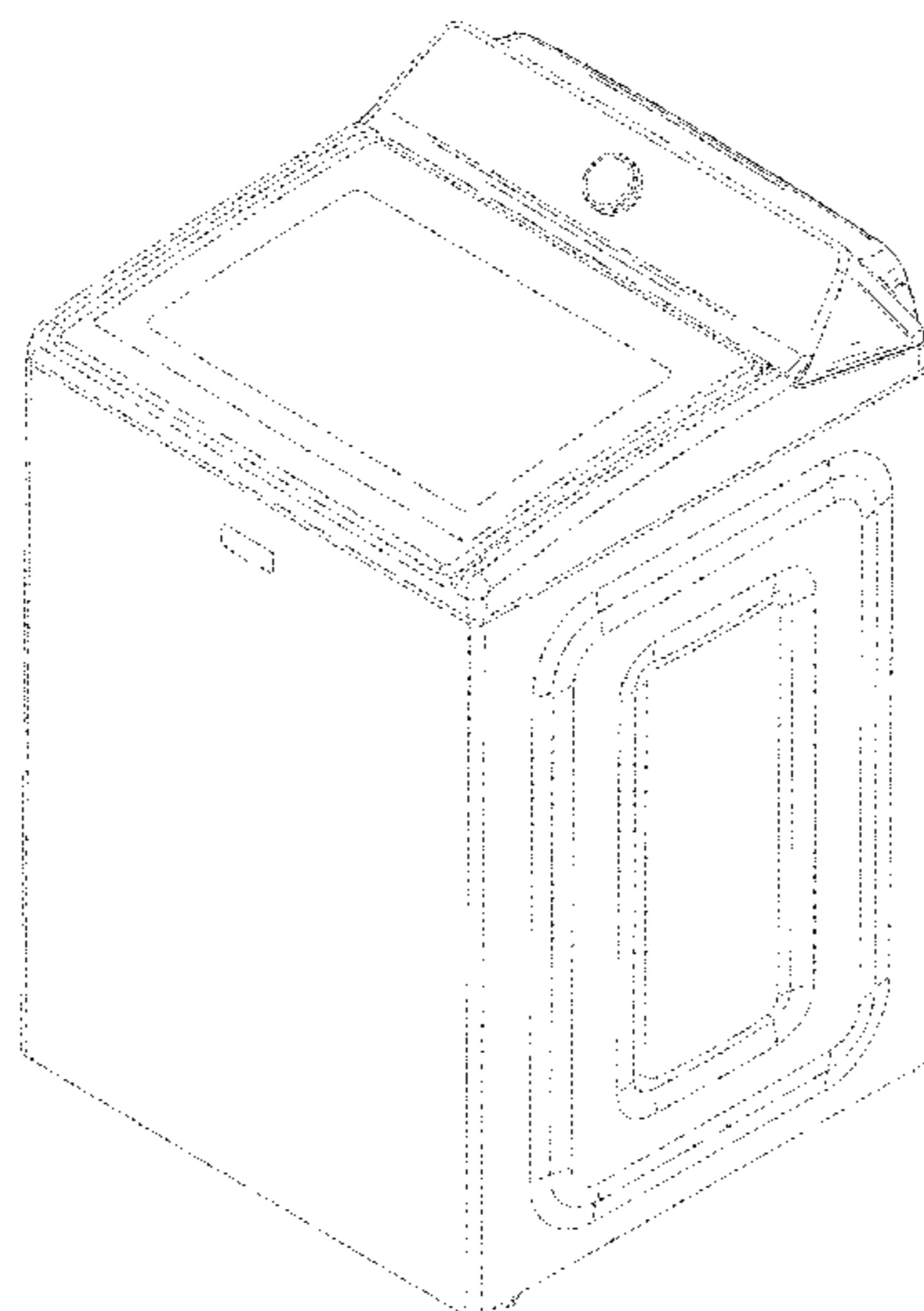
(57) **CLAIM**

We claim the ornamental design for a topload washing
appliance, as shown.

DESCRIPTION

FIG. 1 is a first top perspective view of the topload washing
appliance of the present invention;
FIG. 2 is a second top perspective view of the topload
washing appliance of the present invention;
FIG. 3 is a top plan view of the topload washing appliance
of the present invention;
FIG. 4 is a bottom plan view of the topload washing
appliance of the present invention;
FIG. 5 is a first side elevation view of the topload washing
appliance of the present invention;
FIG. 6 is a second side elevation view of the topload
washing appliance of the present invention;
FIG. 7 is a third side elevation view of the topload washing
appliance of the present invention; and,
FIG. 8 is a fourth side elevation view of the topload washing
appliance of an alternative embodiment of the present inven-
tion.
The broken lines in the figures are for contextual purposes
or show the environment and form no part of the claimed
design.

1 Claim, 8 Drawing Sheets



(56)

References Cited

U.S. PATENT DOCUMENTS

D536,144 S 1/2007 Seo et al.
 D538,488 S 3/2007 Carey et al.
 D542,487 S 5/2007 Jun
 D554,307 S 10/2007 Kim
 D556,394 S 11/2007 Kim
 D571,964 S 6/2008 Kim
 D575,012 S 8/2008 Rossetto et al.
 D630,807 S 1/2011 Song et al.
 D632,033 S 2/2011 Song et al.
 D633,261 S 2/2011 Song et al.
 D648,085 S * 11/2011 Miller D32/28
 D651,778 S * 1/2012 Miller D32/25
 D654,640 S 2/2012 Song et al.
 D679,462 S 4/2013 Zhang et al.
 D694,965 S 12/2013 Lee et al.
 D699,907 S 2/2014 Choi et al.
 D701,656 S 3/2014 Choi et al.
 D729,998 S 5/2015 Jeon et al.
 D733,372 S 6/2015 Song et al.
 D739,096 S 9/2015 Qin et al.
 D758,028 S * 5/2016 Bixby D32/25
 D758,029 S * 5/2016 Bixby D32/25
 D758,030 S * 5/2016 Bixby D32/25

D758,031 S * 5/2016 Bixby D32/25
 D758,032 S * 5/2016 Bixby D32/25
 D759,325 S 6/2016 Jeon et al.
 D759,912 S * 6/2016 Bixby D32/25
 D760,454 S 6/2016 Joo et al.
 D760,967 S 7/2016 Joo et al.
 D761,502 S 7/2016 Joo et al.
 D761,503 S 7/2016 Choi et al.
 D762,025 S 7/2016 Joo et al.
 D762,201 S 7/2016 Qin et al.
 D764,121 S 8/2016 Choi et al.
 D772,505 S 11/2016 Bixby et al.
 D772,506 S 11/2016 Bixby et al.
 D793,012 S * 7/2017 Bixby D32/6
 D795,511 S * 8/2017 Jeon D32/6
 D797,387 S * 9/2017 Bixby D32/6
 2006/0290247 A1 * 12/2006 Lim D06F 39/12
 312/278
 2008/0295544 A1 * 12/2008 Cho D06F 37/42
 68/12.26
 2013/0186199 A1 * 7/2013 Bhandwale G01M 1/28
 73/462
 2013/0327101 A1 12/2013 Leibman et al.
 2016/0076187 A1 * 3/2016 Lee D06F 37/28
 312/228

* cited by examiner

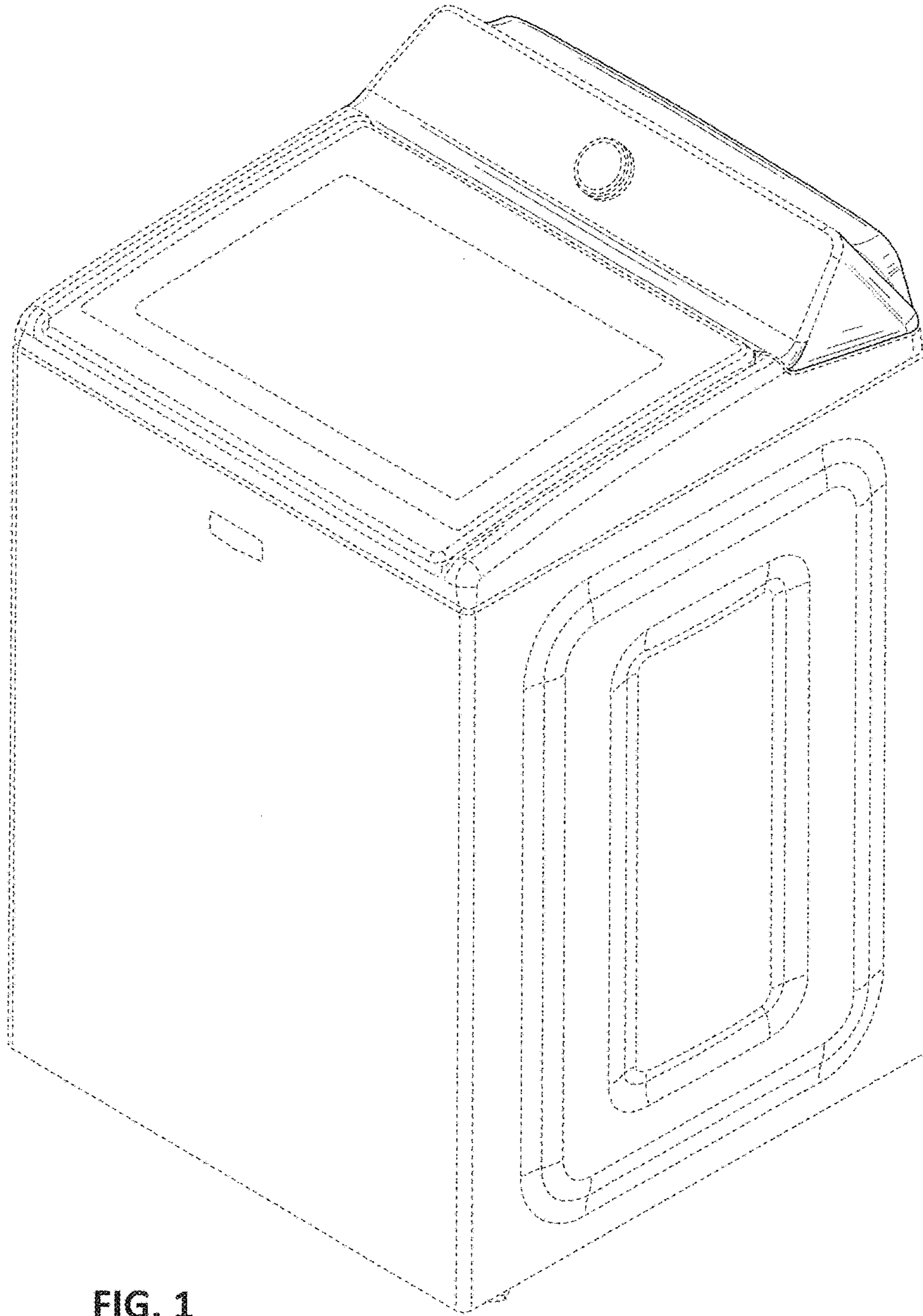


FIG. 1

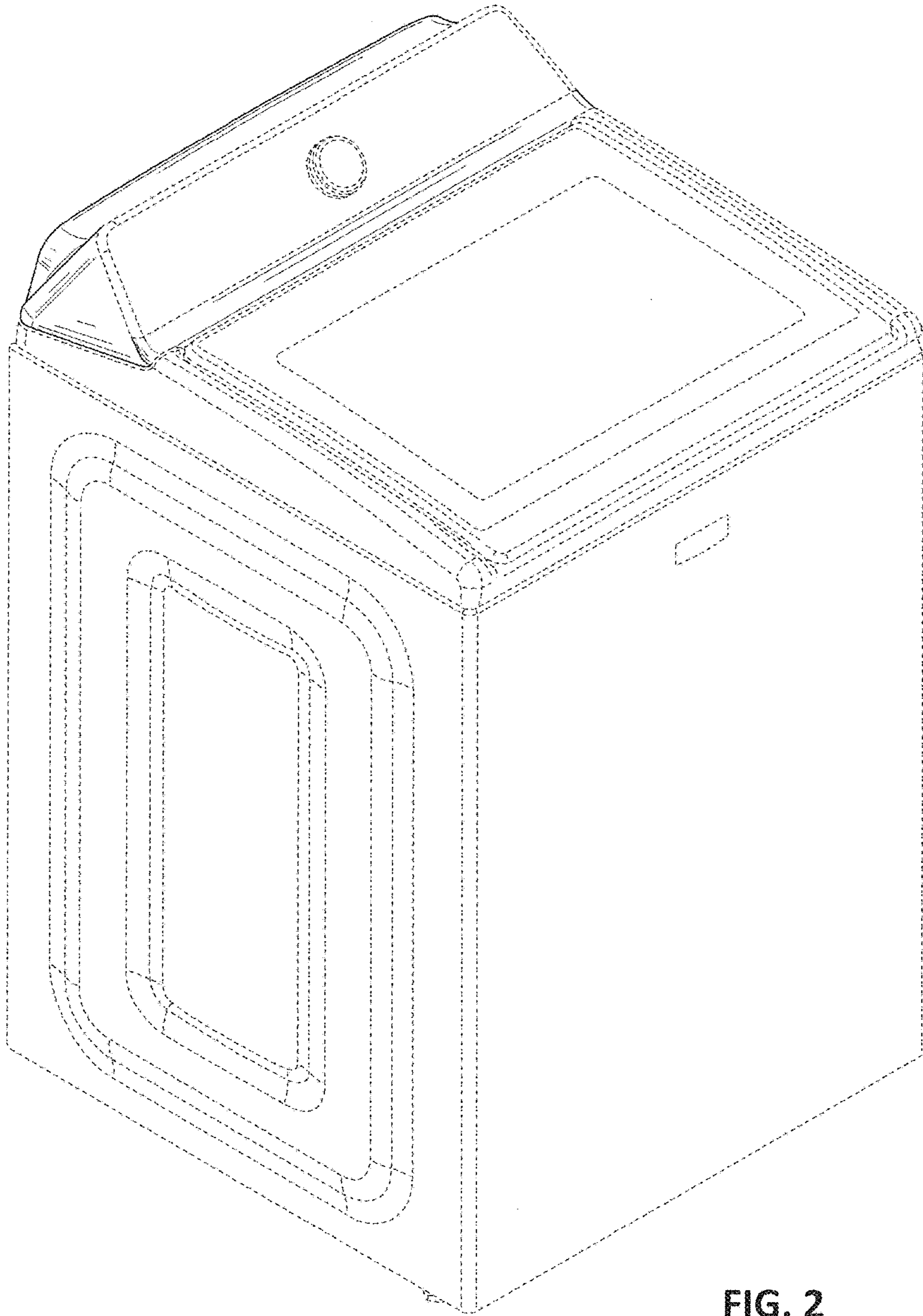


FIG. 2

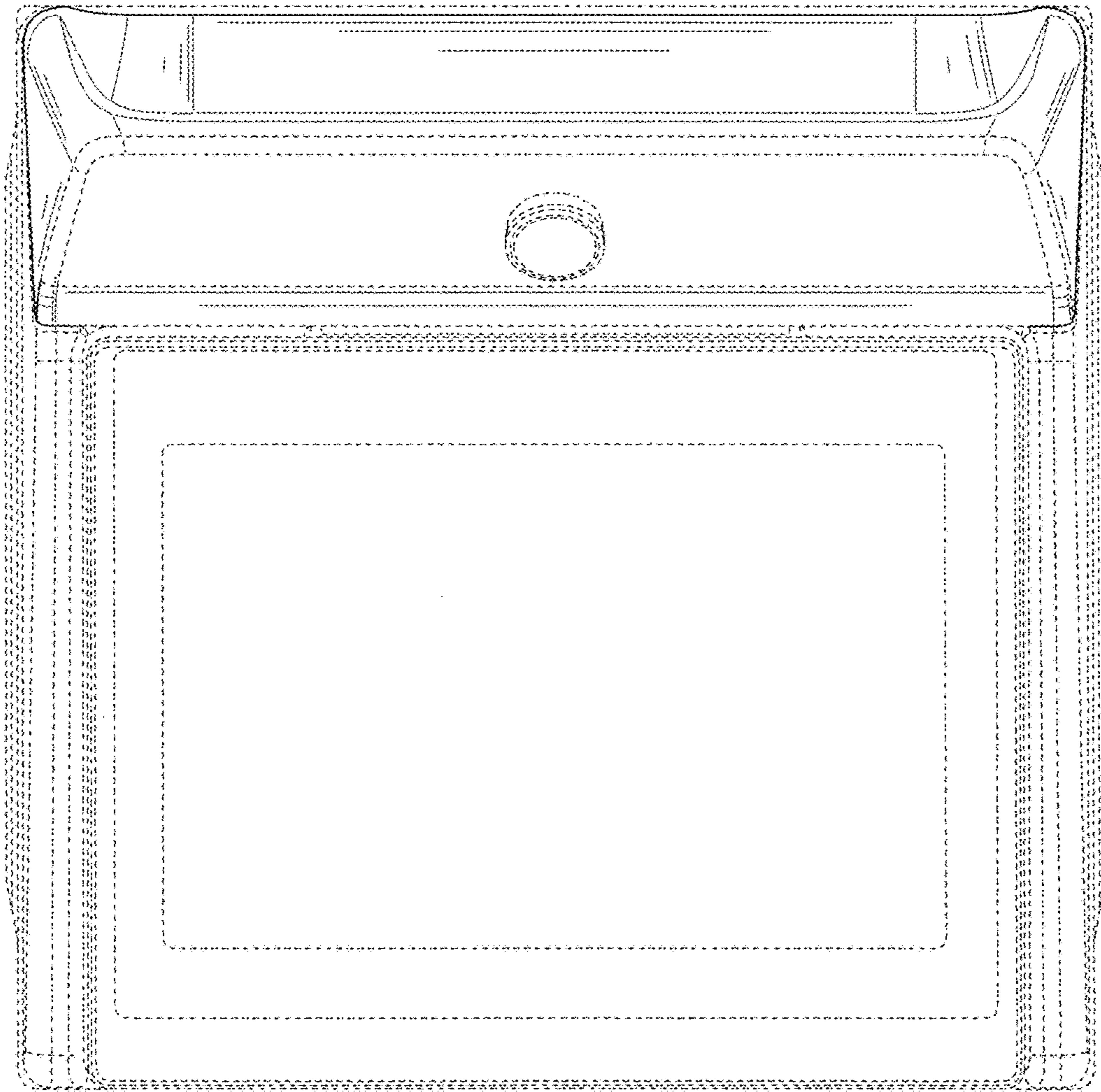


FIG. 3

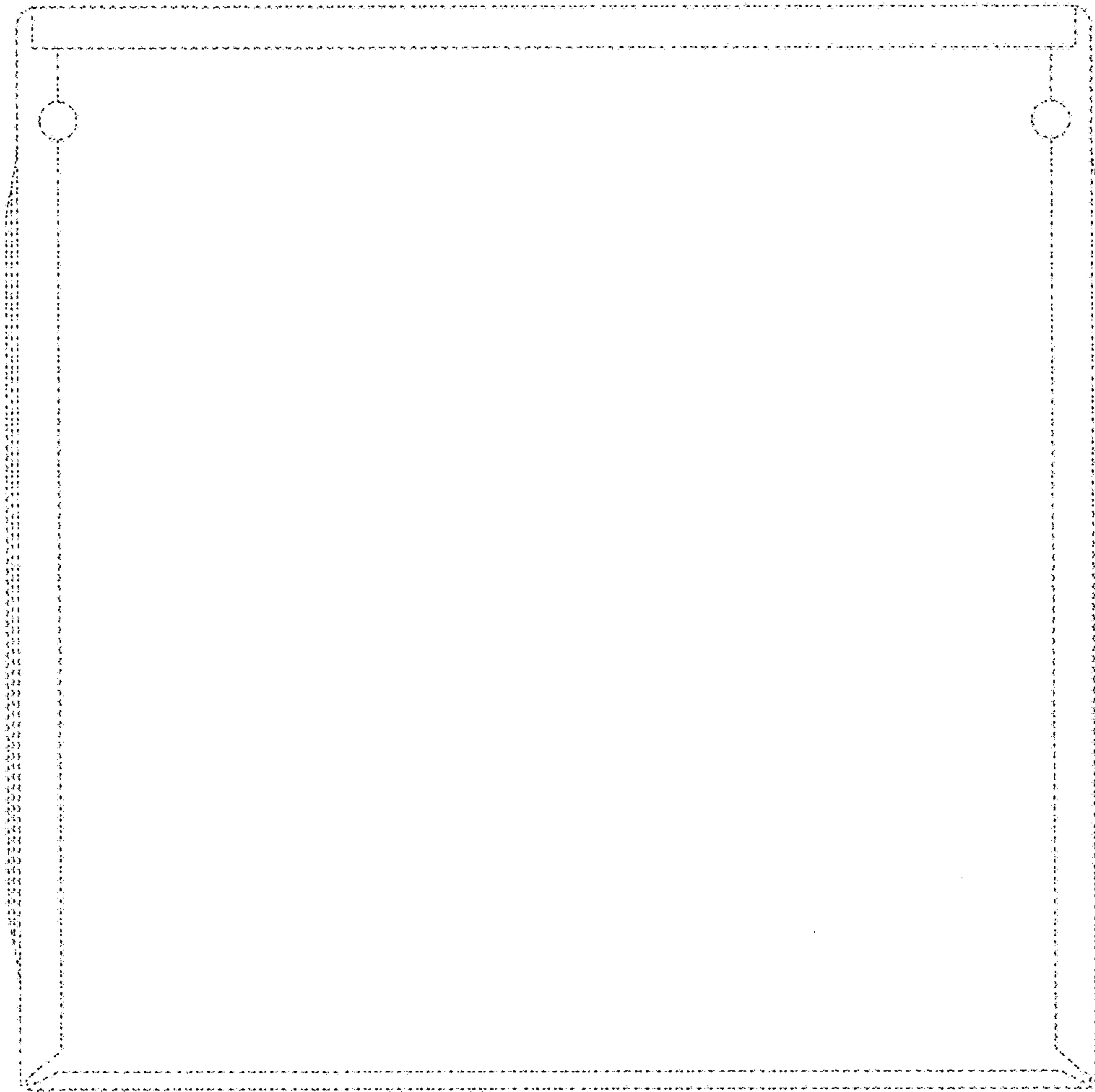


FIG. 4

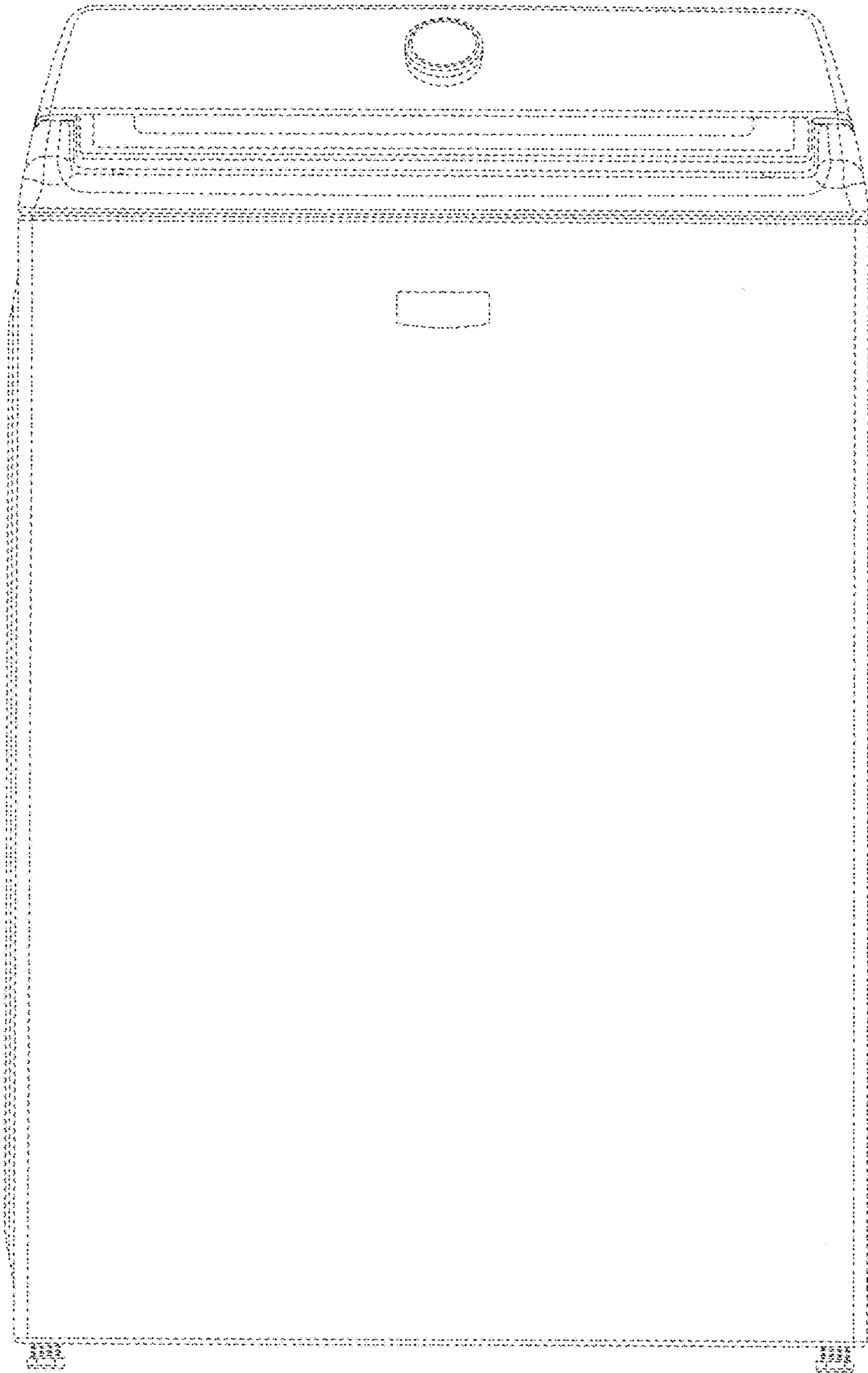


FIG. 5

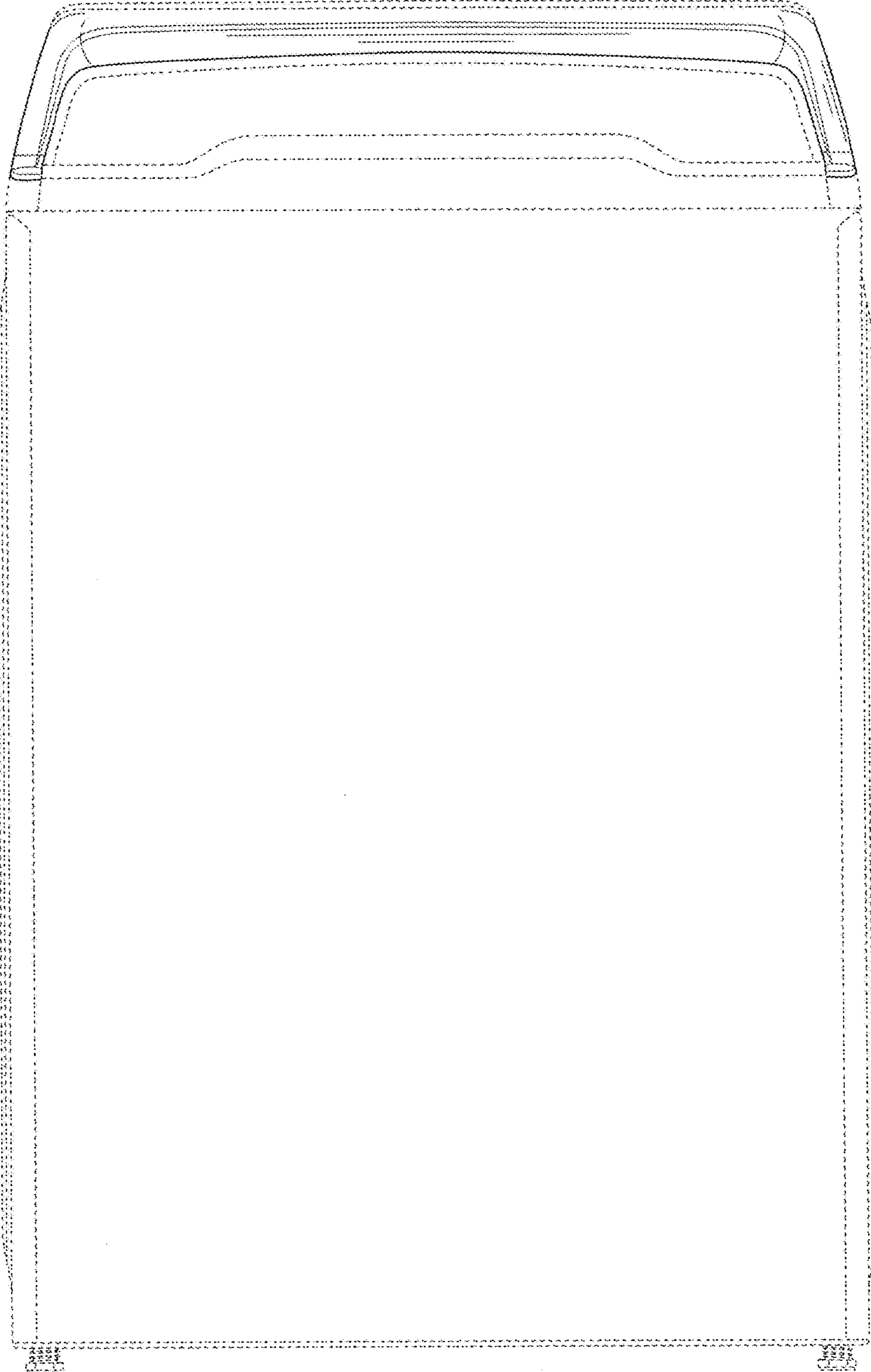


FIG. 6

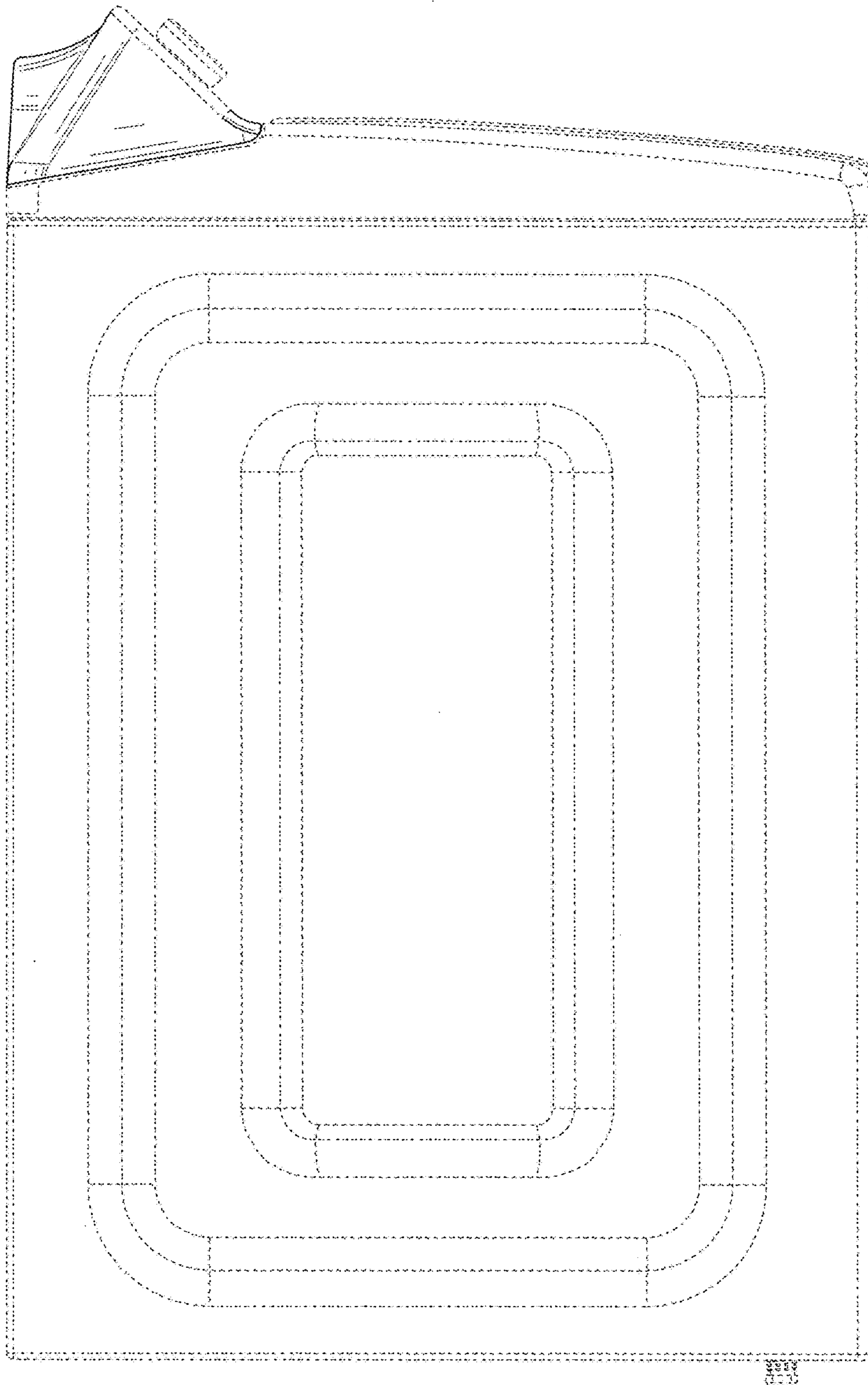


FIG. 7

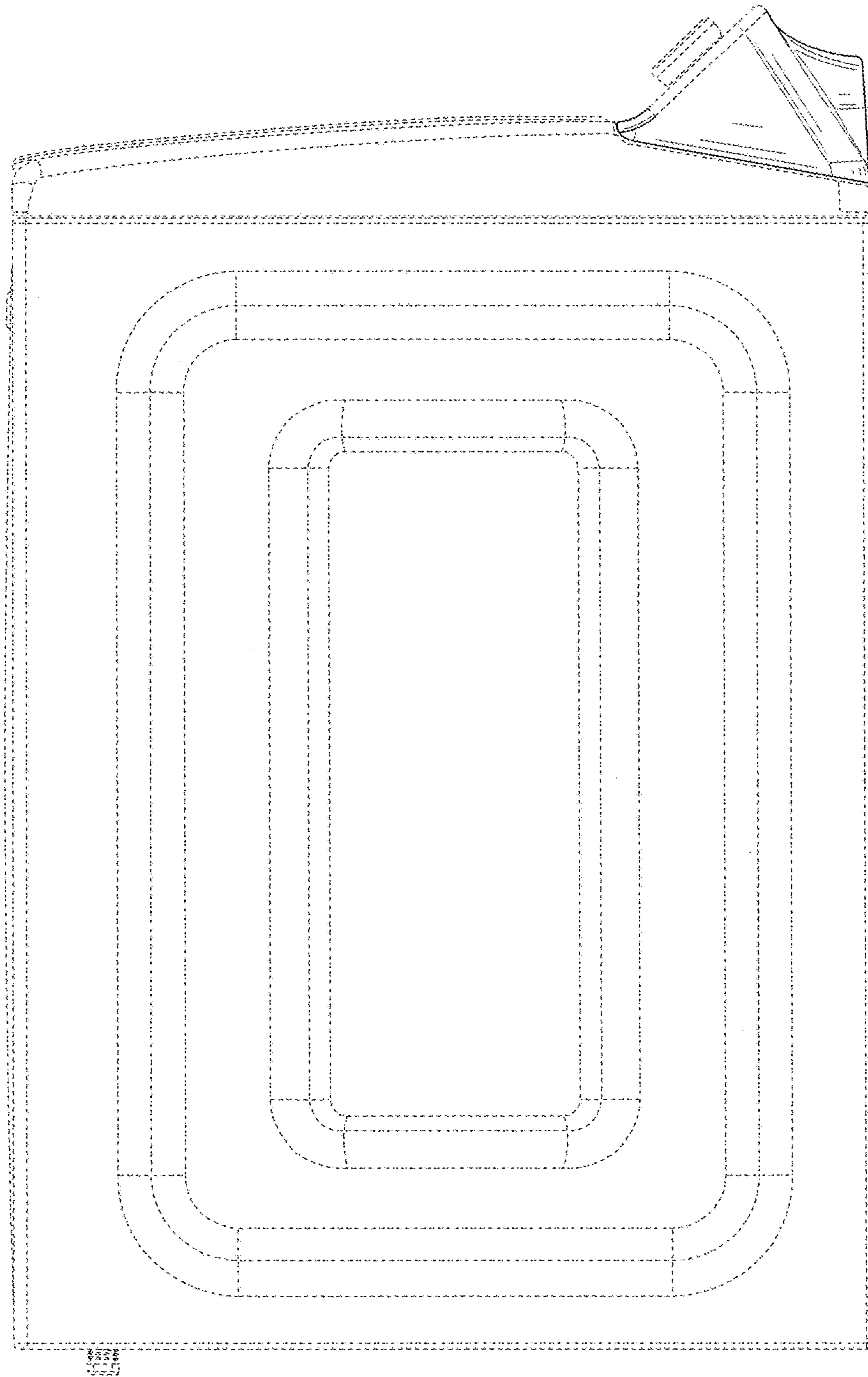


FIG. 8