



US00D824607S

(12) **United States Design Patent** (10) **Patent No.:** **US D824,607 S**
Bixby et al. (45) **Date of Patent:** **** Jul. 31, 2018**

(54) **TOPLOAD WASHING APPLIANCE**

D538,488 S 3/2007 Carey et al.
D554,307 S 10/2007 Kim
D575,012 S 8/2008 Rossetto et al.

(71) Applicant: **WHIRLPOOL CORPORATION**,
Benton Harbor, MI (US)

(Continued)

(72) Inventors: **Seth E. Bixby**, Stevensville, MI (US);
Samuel B. Breneman, St. Joseph, MI (US);
Richard K. Gresens, St. Joseph, MI (US);
John W. McConnell, St. Joseph, MI (US);
Patrick J. Schiavone, Benton Harbor, MI (US)

Primary Examiner — Susan Bennett Hattan
Assistant Examiner — Rebecca Tsehaye
(74) *Attorney, Agent, or Firm* — Price Heneveld LLP

(73) Assignee: **Whirlpool Corporation**, Benton Harbor, MI (US)

(57) **CLAIM**

We claim the ornamental design for a topload washing appliance, as shown and described.

(**) Term: **15 Years**

DESCRIPTION

(21) Appl. No.: **29/583,710**

(22) Filed: **Nov. 8, 2016**

Related U.S. Application Data

(63) Continuation of application No. 29/499,738, filed on Aug. 19, 2014, now Pat. No. Des. 774,713.

(51) **LOC (11) Cl.** **15-05**

(52) **U.S. Cl.**
USPC **D32/6**

(58) **Field of Classification Search**

USPC D32/6, 1-4, 8, 10, 25, 28, 29; 68/3 R,
68/5 R, 11, 13; 34/108, 130, 131, 132,
34/595, 596, 597

CPC D06F 21/10; D06F 21/02; D06F 21/04;
D06F 21/06; D06F 21/08; D06F 21/00;
D06F 21/12; D06F 23/02; D06F 23/04;
D06F 23/06; D06F 23/025; D06F 23/065;
D06F 39/14; D06F 39/028

See application file for complete search history.

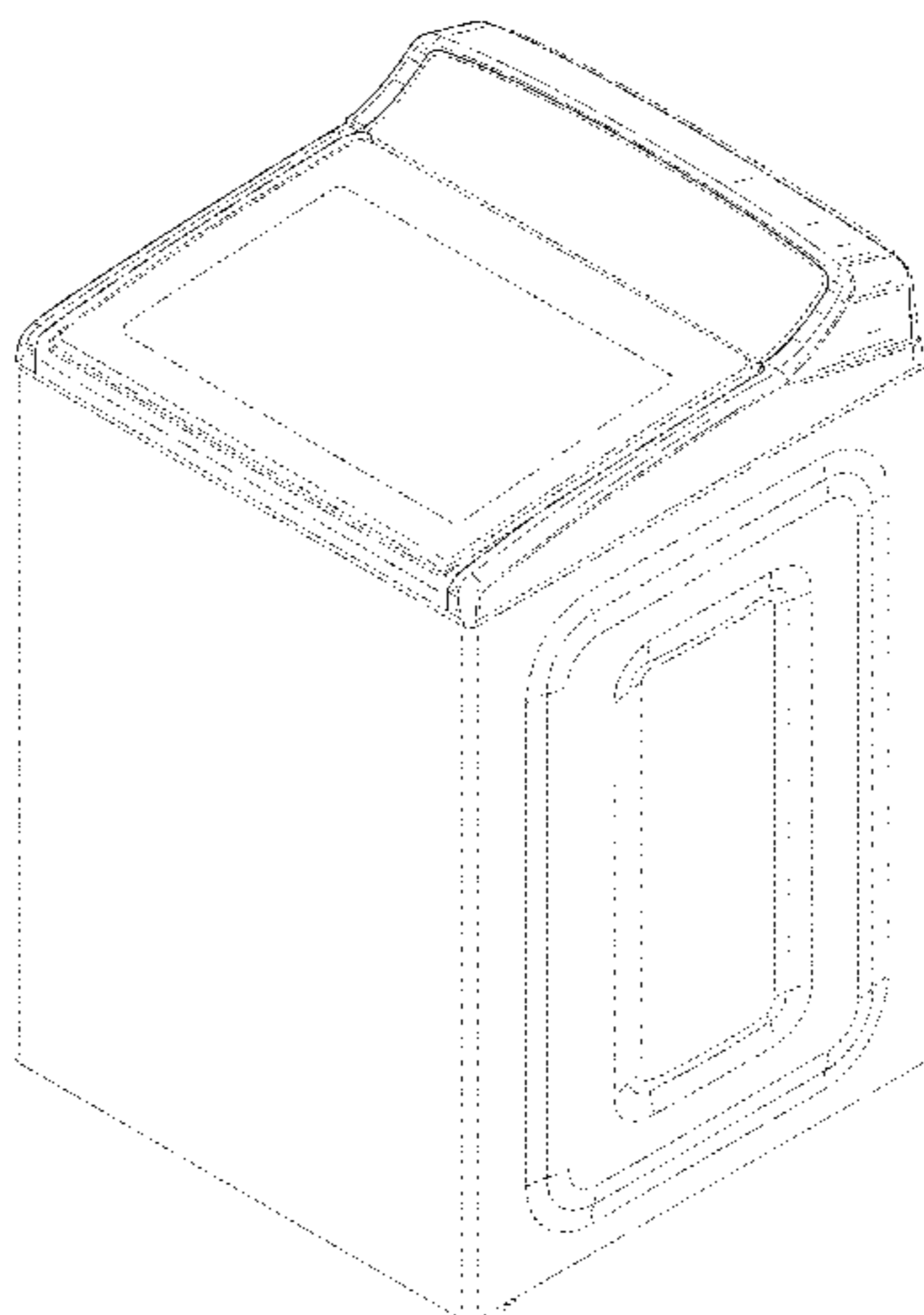
FIG. 1 is a first top perspective view of the washing appliance of the present invention;
FIG. 2 is a second top perspective view of the topload washing appliance of the present invention;
FIG. 3 is a top plan view of the topload washing appliance of the present invention;
FIG. 4 is a bottom plan view of the topload washing appliance of the present invention;
FIG. 5 is a first side elevation view of the topload washing appliance of the present invention;
FIG. 6 is a second side elevation view of the topload washing appliance of the present invention;
FIG. 7 is a third side elevation view of the topload washing appliance of the present invention;
FIG. 8 is a fourth side elevation view of the topload washing appliance of the present invention; and,
FIG. 9 is another first side elevation view of the topload washing appliance of the present invention with the door in an open position to view the underside of the topload washing appliance door.
The broken lines in the figures are for contextual purposes or show the environment and form no part of the claimed design.
The dot-dash lines in the figures are boundary lines and form a part of the claimed design.

(56) **References Cited**

U.S. PATENT DOCUMENTS

D484,652 S 12/2003 Clark et al.
6,665,984 B2 12/2003 Bienick et al.

1 Claim, 9 Drawing Sheets



(56)

References Cited

U.S. PATENT DOCUMENTS

D619,314 S	7/2010	Bixby et al.			
D620,656 S	7/2010	Bixby et al.			
D621,563 S	8/2010	Bixby et al.			
D631,215 S	1/2011	Song et al.			
D632,033 S	2/2011	Song et al.			
D648,084 S	11/2011	Browne et al.			
D648,085 S	11/2011	Miller et al.			
D648,497 S	11/2011	Bhattacharya			
D654,640 S	2/2012	Song et al.			
8,297,085 B2	10/2012	Kim et al.			
D679,462 S	4/2013	Lhang et al.			
8,511,115 B2	8/2013	Kim et al.			
D694,965 S *	12/2013	Lee	D32/6		
D695,474 S	12/2013	Calmeise			
D697,680 S	1/2014	Hwang et al.			
D699,907 S	2/2014	Choi et al.			
D701,656 S	3/2014	Choi et al.			
D703,887 S	4/2014	Lee et al.			
D704,907 S	5/2014	Yoo et al.			
D705,508 S	5/2014	Calmeise			
D709,657 S	7/2014	Shin et al.			
8,763,431 B2	7/2014	Kim et al.			
D711,605 S	8/2014	Jo et al.			
D729,998 S	5/2015	Jeon et al.			
D733,372 S	6/2015	Song et al.			
D733,375 S	6/2015	Uk et al.			
D758,028 S *	5/2016	Bixby	D32/25		
D758,029 S *	5/2016	Bixby	D32/25		
D758,031 S *	5/2016	Bixby	D32/25		
D759,912 S *	6/2016	Bixby	D32/25		
D772,505 S *	11/2016	Bixby	D32/25		
D774,713 S *	12/2016	Bixby	D32/6		
D793,012 S *	7/2017	Bixby	D32/6		
D793,632 S *	8/2017	Ayers	D32/6		
2003/0042654 A1	3/2003	Bienick et al.			
2004/0068951 A1	4/2004	Bienick et al.			
2005/0050925 A1	3/2005	Je et al.			
2006/0288742 A1	12/2006	Hapke et al.			
2009/0193678 A1	8/2009	Latack et al.			
2009/0229320 A1	9/2009	Yoo et al.			
2011/0050059 A1	3/2011	Kim et al.			
2011/0050060 A1	3/2011	Kim et al.			
2011/0062837 A1	3/2011	Kim et al.			
2011/0089793 A1	4/2011	Kim et al.			
2011/0121694 A1	5/2011	Kim et al.			
2012/0327201 A1	12/2012	Kappler et al.			
2013/0193823 A1	8/2013	Cho et al.			
2014/0210324 A1	7/2014	Kilgore et al.			
2014/0373284 A1	12/2014	Leibman et al.			
2015/0123521 A1	5/2015	Lee et al.			
2015/0233039 A1	8/2015	Cho et al.			
2015/0233042 A1	8/2015	Kang et al.			
2015/0252508 A1	9/2015	Kim et al.			
2015/0267337 A1	9/2015	Kim et al.			
2015/0292136 A1	10/2015	Leonard et al.			
2015/0345069 A1	12/2015	Leibman et al.			
2016/0010268 A1	1/2016	Hawboldt et al.			

* cited by examiner

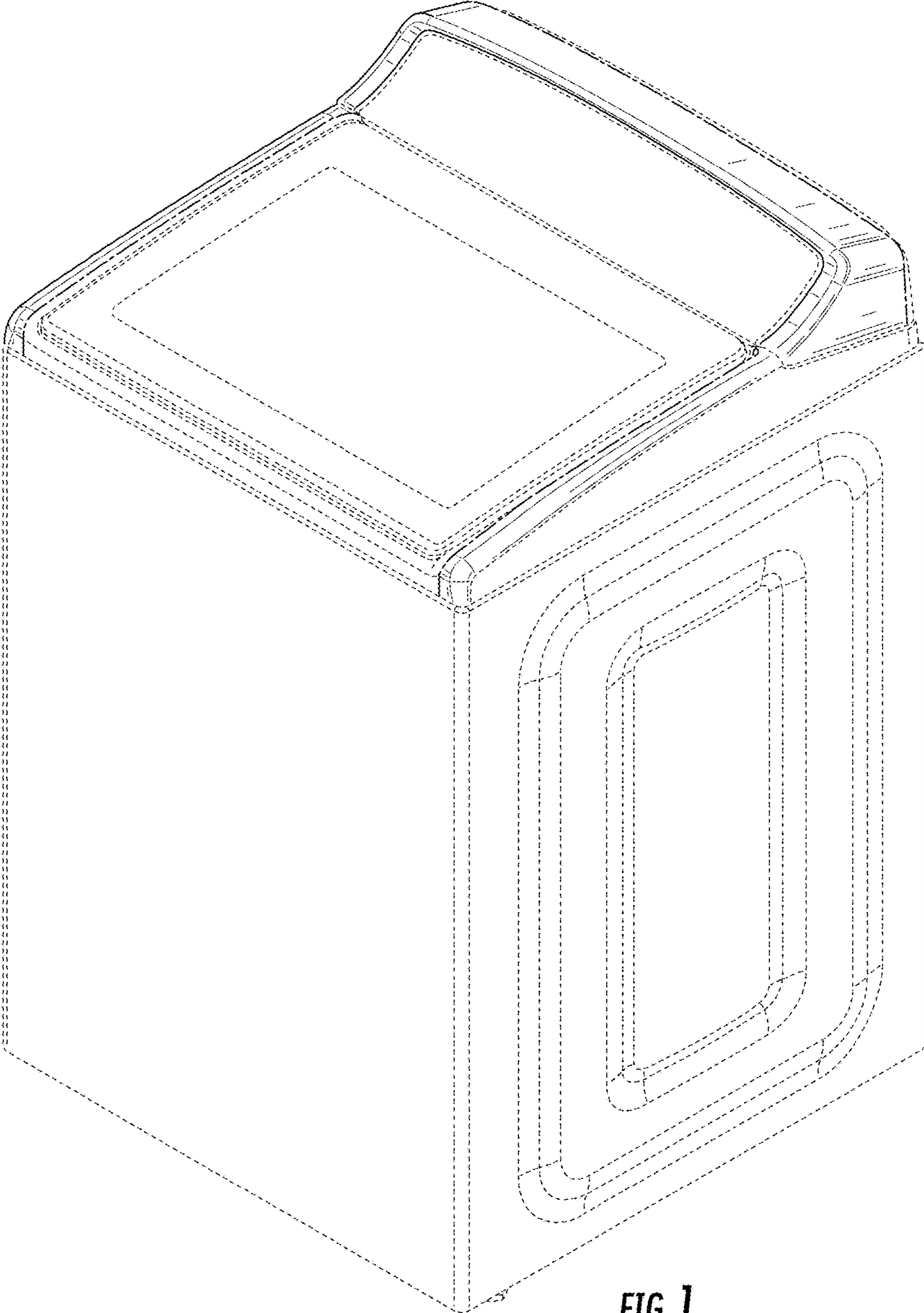


FIG. 1

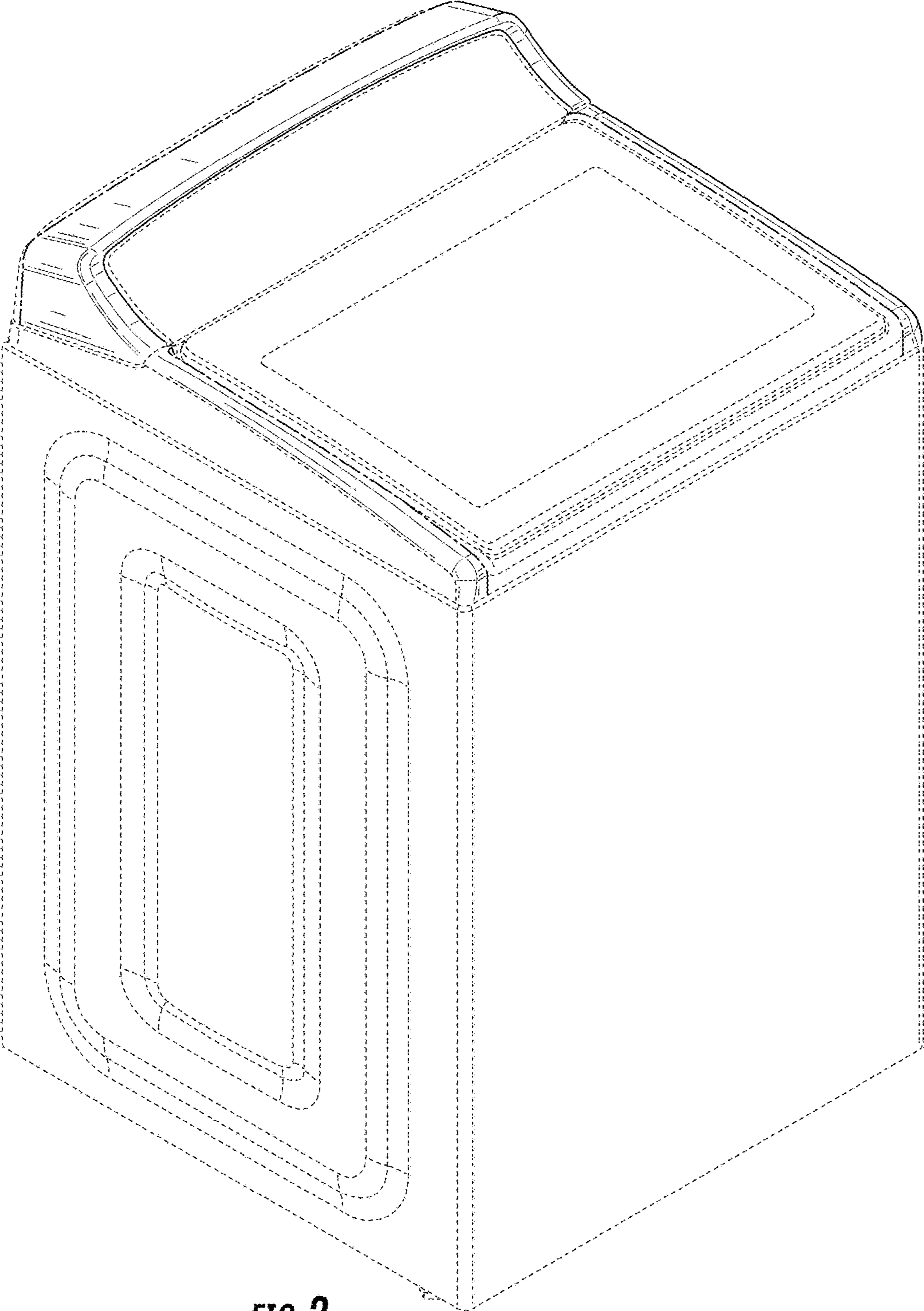


FIG. 2

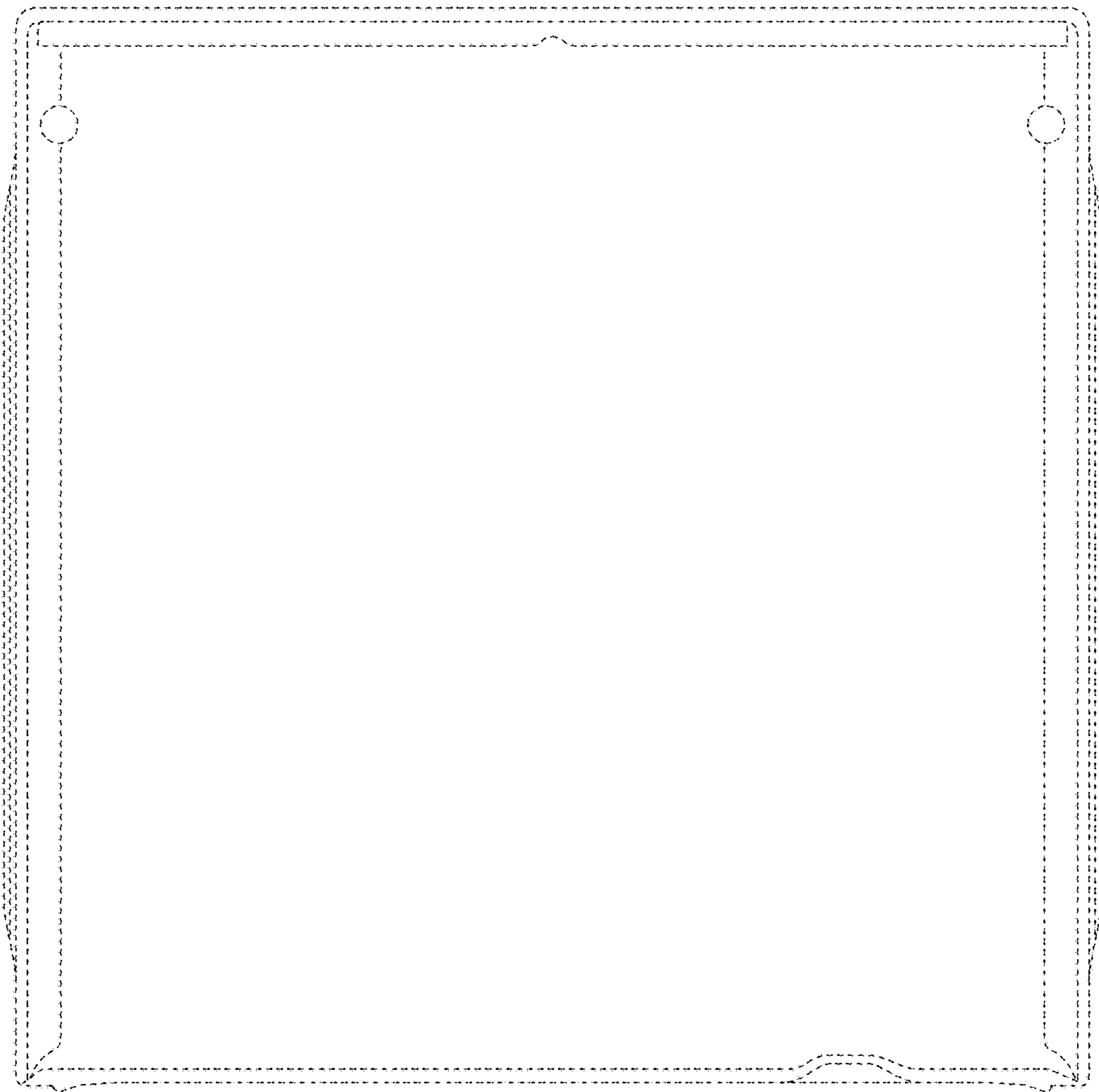


FIG. 4

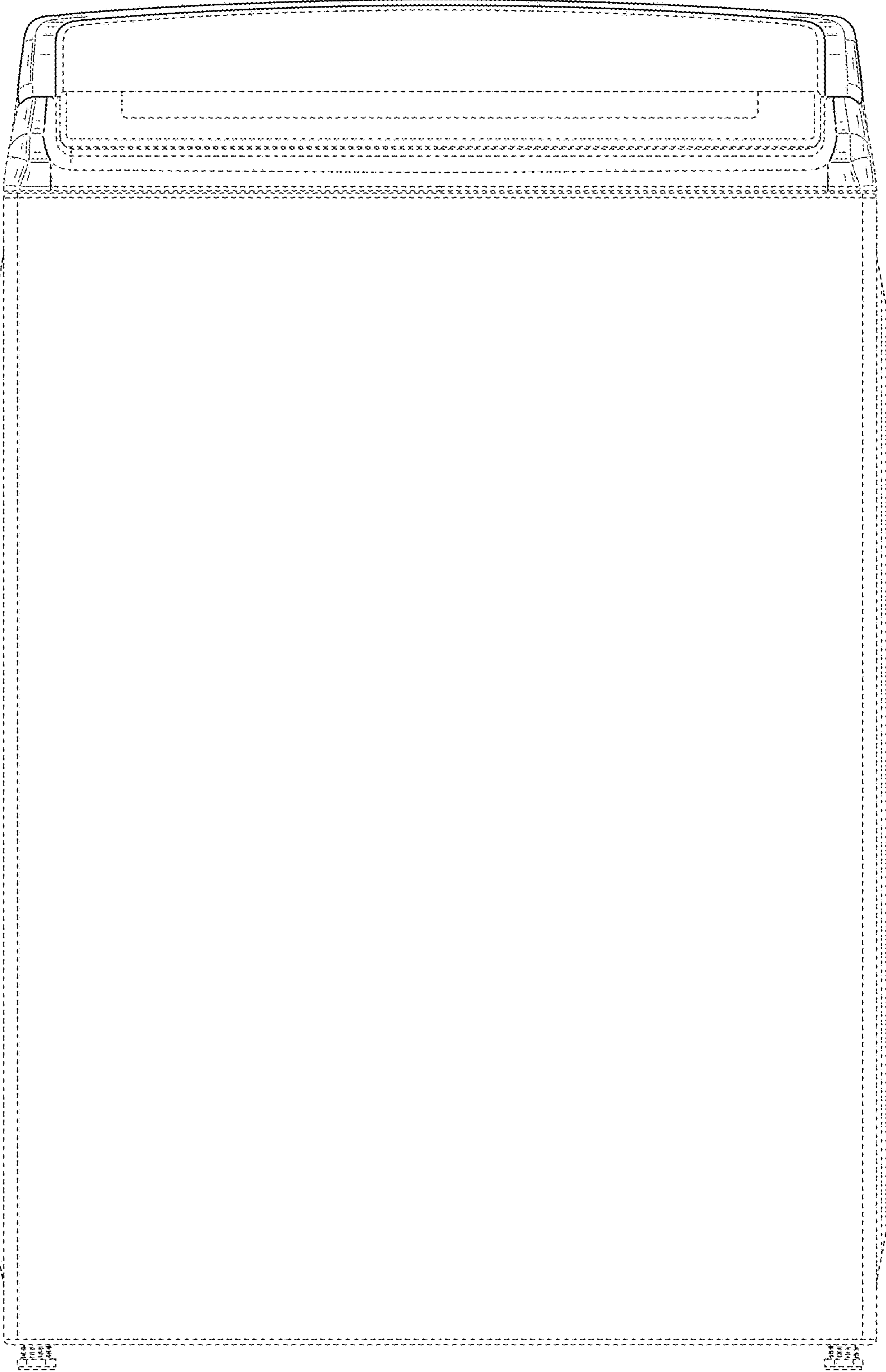


FIG. 5

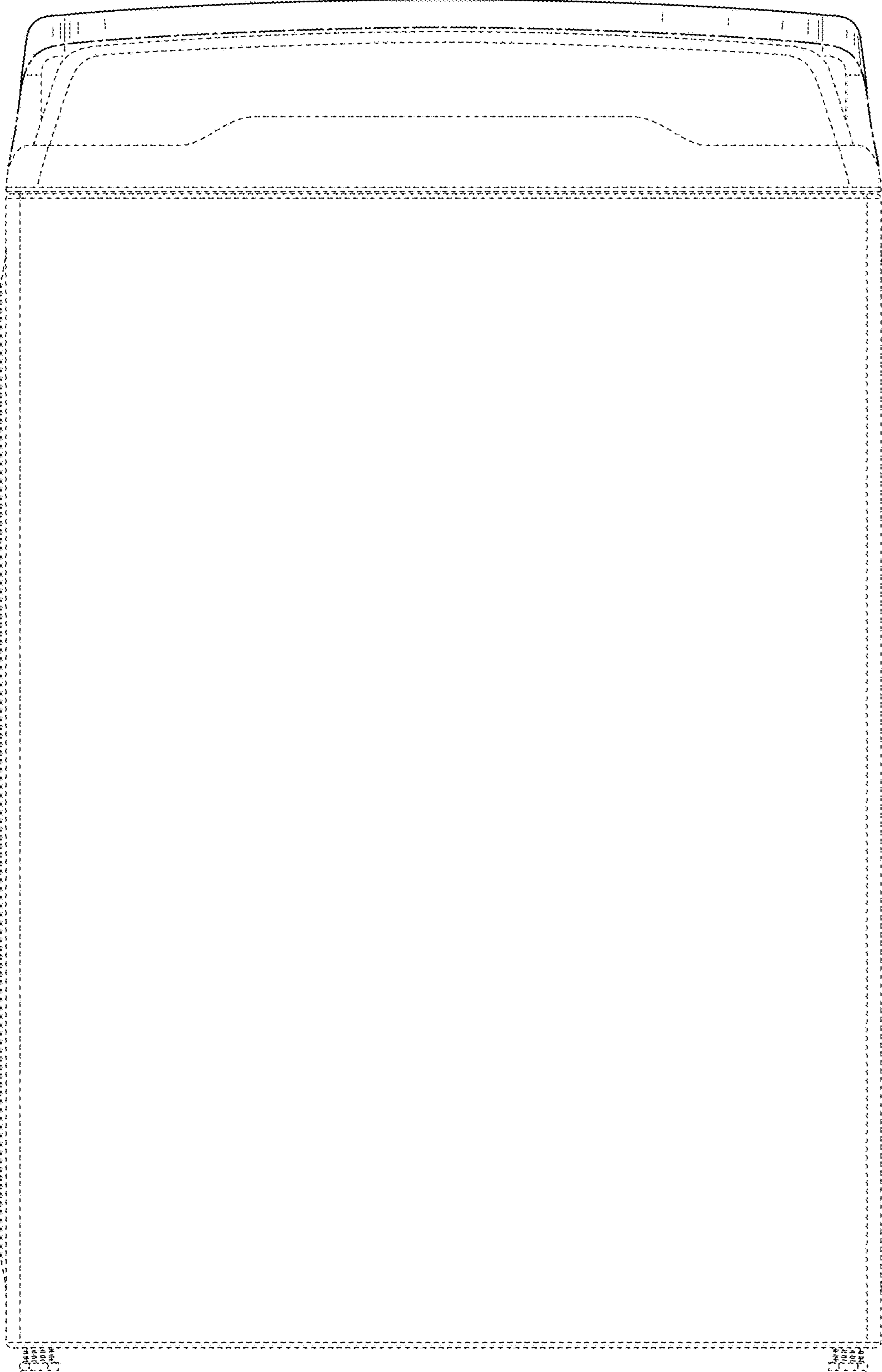


FIG. 6

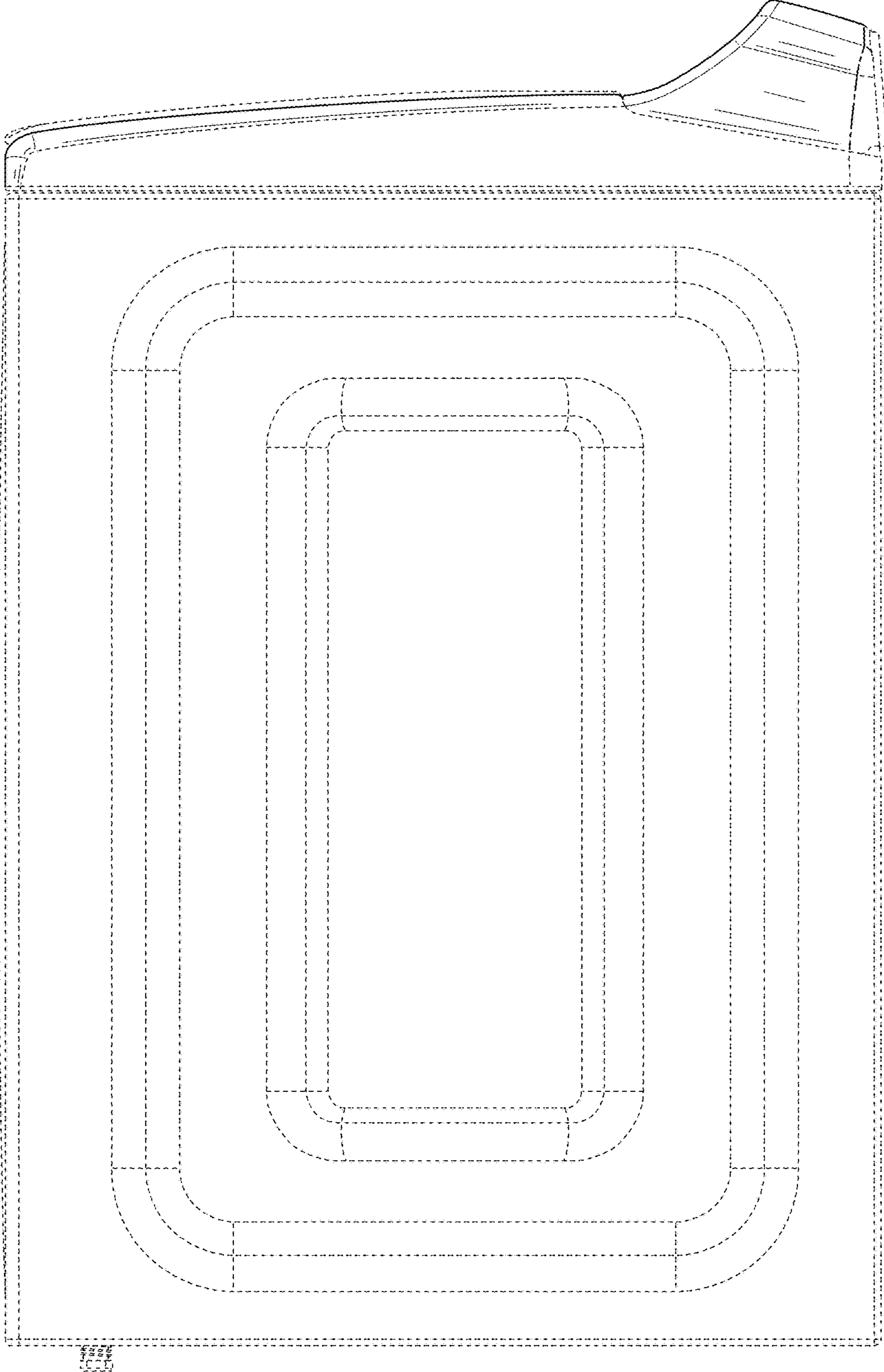


FIG. 7

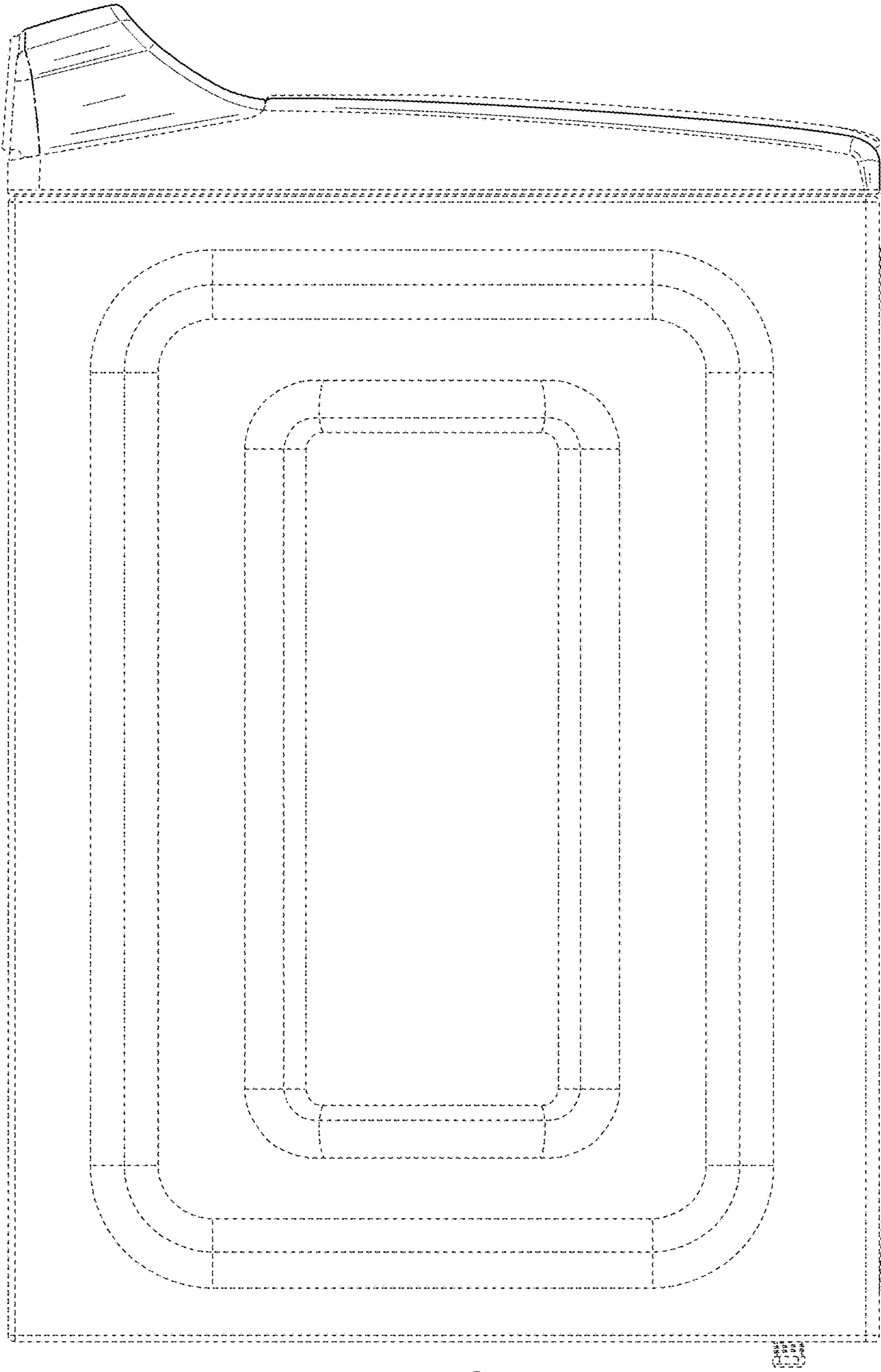


FIG. 8

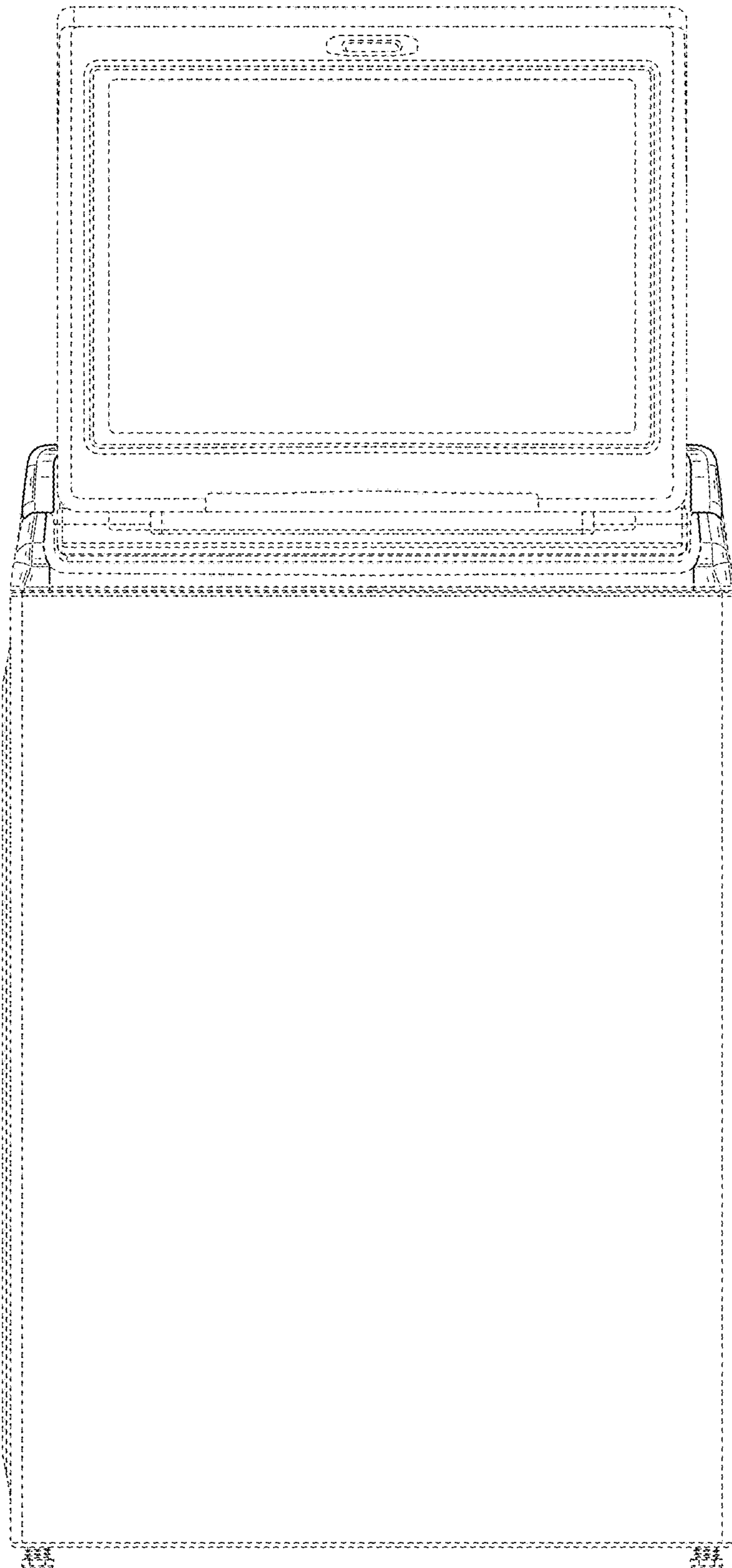


FIG. 9