

US00D824606S

(12) **United States Design Patent** (10) **Patent No.:** **US D824,606 S**
Kendall et al. (45) **Date of Patent:** **** Jul. 31, 2018**

- (54) **LAUNDRY WASHING MODULE**
- (71) Applicant: **WHIRLPOOL CORPORATION**,
Benton Harbor, MI (US)
- (72) Inventors: **James Kendall**, Mt. Prospect, IL (US);
Ameresh Viswanathan, Saint Joseph,
MI (US)
- (73) Assignee: **Whirlpool Corporation**, Benton
Harbor, MI (US)
- (**) Term: **15 Years**
- (21) Appl. No.: **29/582,125**
- (22) Filed: **Oct. 25, 2016**

3,402,477 A	9/1968	Hubbard	
3,555,701 A	1/1971	Hubbard	
3,606,506 A	9/1971	Ungaro	
5,466,058 A	11/1995	Chan	
5,951,127 A	9/1999	Smith	
6,189,551 B1	2/2001	Sargeant et al.	
D457,694 S	5/2002	Richardson	
D460,224 S	7/2002	Richardson	
D465,072 S	10/2002	Richardson	
D467,691 S	12/2002	Richardson	
D474,566 S *	5/2003	Baldwin	D32/25
6,585,225 B1	7/2003	Lake	
6,618,887 B2	9/2003	Kim et al.	
6,732,552 B2	5/2004	Kim et al.	
D506,090 S	6/2005	Ben-Or	
D521,702 S	5/2006	No et al.	
D549,408 S *	8/2007	Lee	D32/25
7,513,132 B2	4/2009	Wright et al.	
D620,211 S *	7/2010	Shail	D32/25
D633,670 S *	3/2011	Grutzke	D32/25
7,913,419 B2 *	3/2011	Tomasi	D06F 29/00 211/85.3
D759,910 S *	6/2016	Chung	D32/6
D759,911 S *	6/2016	Chung	D32/6

Related U.S. Application Data

(63) Continuation of application No. 12/489,710, filed on Jun. 23, 2009, now abandoned, which is a continuation of application No. 11/322,740, filed on Dec. 30, 2005, now abandoned, and a continuation of application No. 11/323,125, filed on Dec. 30, 2005, now Pat. No. 7,628,043, and a continuation of application No. 11/323,221, filed on Dec. 30, 2005, now Pat. No. 7,624,600.

- (51) **LOC (11) Cl.** **15-05**
- (52) **U.S. Cl.**
USPC **D32/6**
- (58) **Field of Classification Search**
USPC D32/1, 5-6, 8, 25, 28, 29
CPC D06F 33/02; D06F 39/02; D06F 2204/065;
D06F 25/00; D06F 35/006
See application file for complete search history.

- (56) **References Cited**
U.S. PATENT DOCUMENTS

2,060,065 A	11/1936	Gill et al.
2,786,730 A	3/1957	Thurston

FOREIGN PATENT DOCUMENTS

DE	2402065	7/1975
DE	3213420	10/1983

(Continued)

Primary Examiner — Michelle E Wilson

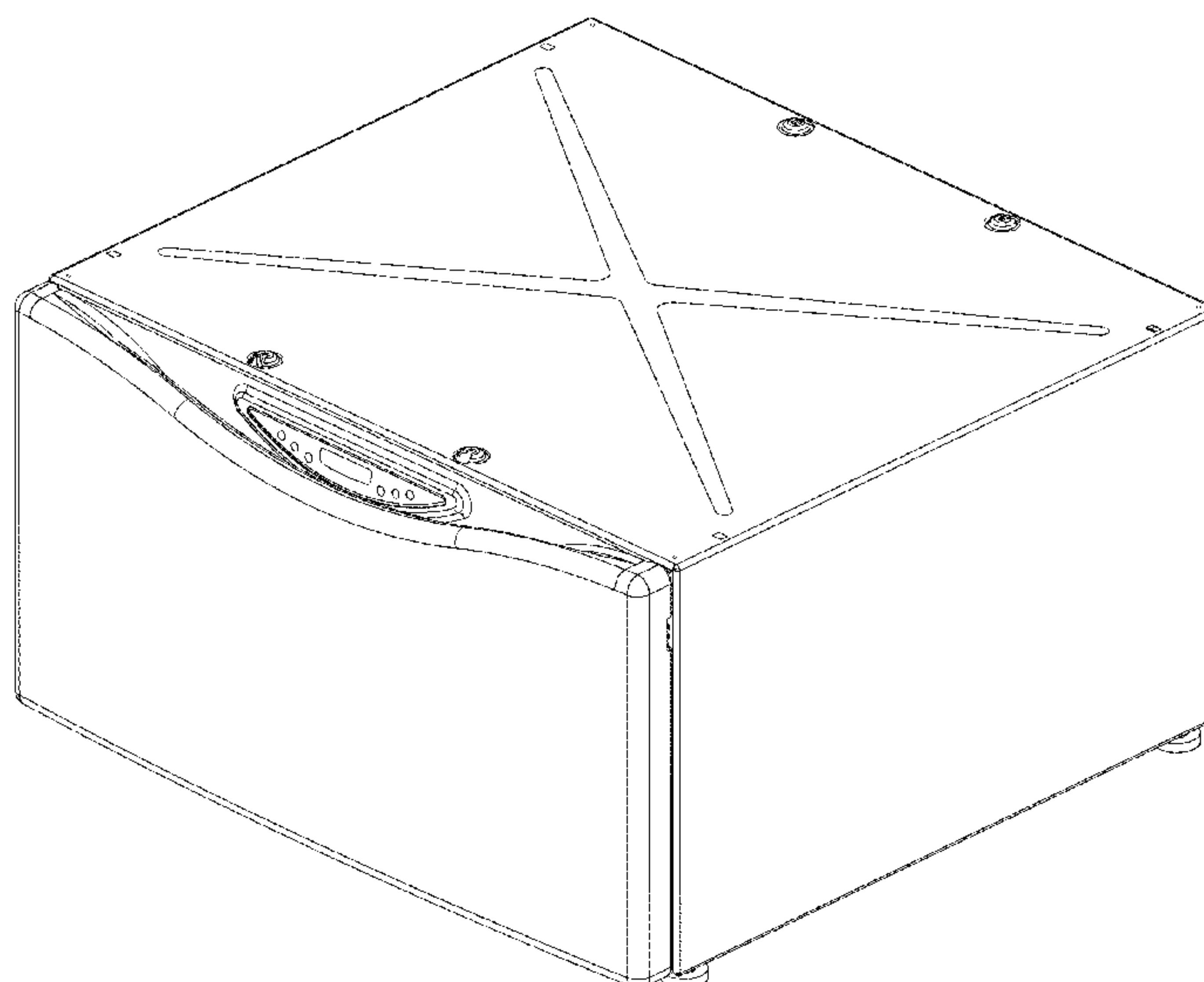
(57) **CLAIM**

The ornamental design for a laundry washing module, as shown and described.

DESCRIPTION

The sole FIGURE is a front perspective view of a laundry washing module showing our new design.

1 Claim, 1 Drawing Sheet



(56)

References Cited

U.S. PATENT DOCUMENTS

D767,837	S *	9/2016	Chee	D32/25
D773,132	S *	11/2016	Ha	D32/25
D773,133	S *	11/2016	Ha	D32/25
D784,637	S *	4/2017	Kim	D32/25
D792,035	S *	7/2017	Chung	D32/6
2002/0017117	A1	2/2002	Sunshine et al.	
2004/0134087	A1	7/2004	Meyer	
2004/0134237	A1	7/2004	Sunshine et al.	
2004/0221624	A1	11/2004	Fumagalli	
2004/0226320	A1	11/2004	Bongini	
2004/0245899	A1	12/2004	Cho	
2004/0263032	A1	12/2004	Cho	
2005/0155393	A1	7/2005	Wright et al.	
2005/0172678	A1	8/2005	Kim et al.	
2005/0275325	A1	12/2005	Yang	
2007/0151120	A1	7/2007	Tomasi et al.	
2010/0018259	A1	1/2010	Jeong et al.	
2010/0101282	A1	4/2010	Jeong et al.	

FOREIGN PATENT DOCUMENTS

DE	4228469	5/1993
DE	9419048	3/1995
DE	19838630	3/2000
DE	20101254	4/2001
DE	10055918	5/2002
DE	20302572	4/2003
EP	1205129	5/2002
EP	1467015	10/2004
KR	2005115968 A	12/2005
WO	9829595	7/1998

* cited by examiner

