



US00D824605S

(12) **United States Design Patent**  
**Tong et al.**

(10) **Patent No.:** **US D824,605 S**  
(45) **Date of Patent:** **\*\* Jul. 31, 2018**

(54) **DISHWASHER**

(71) Applicant: **FOSHAN SHUNDE MIDEA WASHING APPLIANCES MFG. CO., LTD.,** Foshan (CN)

(72) Inventors: **Jianfeng Tong,** Foshan (CN); **Jinhui Ding,** Foshan (CN)

(73) Assignee: **FOSHAN SHUNDE MIDEA WASHING APPLIANCES MFG. CO., LTD.,** Foshan (CN)

(\*\*) Term: **15 Years**

(21) Appl. No.: **29/597,115**

(22) Filed: **Mar. 14, 2017**

(30) **Foreign Application Priority Data**

Dec. 6, 2016 (CN) ..... 2016 3 0596348

(51) **LOC (11) Cl.** ..... **15-05**

(52) **U.S. Cl.**  
USPC ..... **D32/2**

(58) **Field of Classification Search**  
USPC .... D7/339, 340, 348; D32/2, 3, 6, 8, 10, 25  
CPC .... A47L 15/22; A47L 15/449; A47L 15/4463;  
A47L 15/4445; A47L 15/4295; A47L  
15/0055; A47L 15/0057; A47L 2301/04;  
A47L 2501/07

See application file for complete search history.

(56) **References Cited**

**U.S. PATENT DOCUMENTS**

D425,676 S \* 5/2000 Roberts ..... D32/3  
D480,520 S \* 10/2003 Resuello ..... D32/3  
D516,758 S \* 3/2006 Kirk ..... D32/3  
D517,252 S \* 3/2006 Kirk ..... D32/3  
D519,689 S \* 4/2006 Ott ..... D32/3

D539,994 S \* 4/2007 Pezzetta ..... D32/3  
D540,497 S \* 4/2007 Song ..... D32/2  
D549,404 S \* 8/2007 Jeon ..... D32/2  
D558,409 S \* 12/2007 Pezzetta ..... D32/3  
D559,477 S \* 1/2008 Pietruska ..... D32/2  
D559,478 S \* 1/2008 Jung ..... D32/2  
D571,062 S \* 6/2008 Suh ..... D32/2  
D622,914 S \* 8/2010 Crookshanks ..... D32/3  
D622,915 S \* 8/2010 Crookshanks ..... D32/3  
D665,956 S \* 8/2012 Eng ..... D32/2  
D668,404 S \* 10/2012 Eng ..... D32/3  
D672,101 S \* 12/2012 Eng ..... D32/3  
D675,792 S \* 2/2013 Eng ..... D32/3  
D681,290 S \* 4/2013 Eng ..... D32/3  
D684,734 S \* 6/2013 Eng ..... D32/3  
D685,149 S \* 6/2013 Eng ..... D32/3  
D698,506 S \* 1/2014 Eng ..... D32/3  
D698,507 S \* 1/2014 Eng ..... D32/3  
D702,897 S \* 4/2014 Eng ..... D32/3  
D702,899 S \* 4/2014 Eng ..... D32/3  
D703,395 S \* 4/2014 Choi ..... D32/2  
D706,502 S \* 6/2014 Eng ..... D32/3  
D706,997 S \* 6/2014 Eng ..... D32/3  
D720,100 S \* 12/2014 Roberson ..... D32/3

(Continued)

*Primary Examiner* — Michelle E Wilson

(74) *Attorney, Agent, or Firm* — Hodgson Russ LLP

(57) **CLAIM**

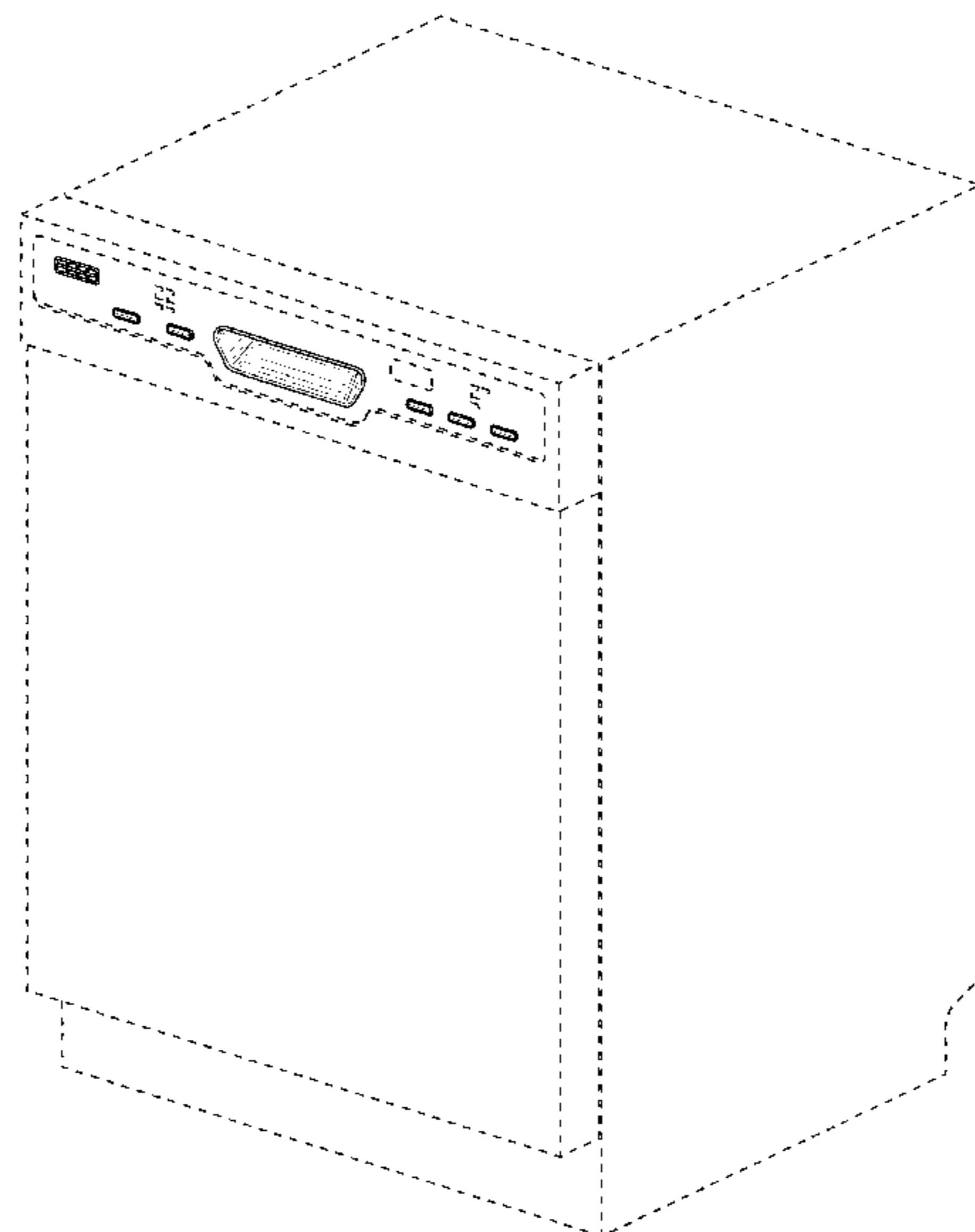
The ornamental design for a dishwasher, as shown and described.

**DESCRIPTION**

FIG. 1 is a front-right perspective view of a dishwasher; FIG. 2 is a front-left detail perspective view thereof; FIG. 3 is a front elevation view thereof; FIG. 4 is a left side elevation view thereof; FIG. 5 is a right side view thereof; and, FIG. 6 is a top plan view thereof.

The broken lines represent unclaimed features that form no part of the claimed design.

**1 Claim, 6 Drawing Sheets**



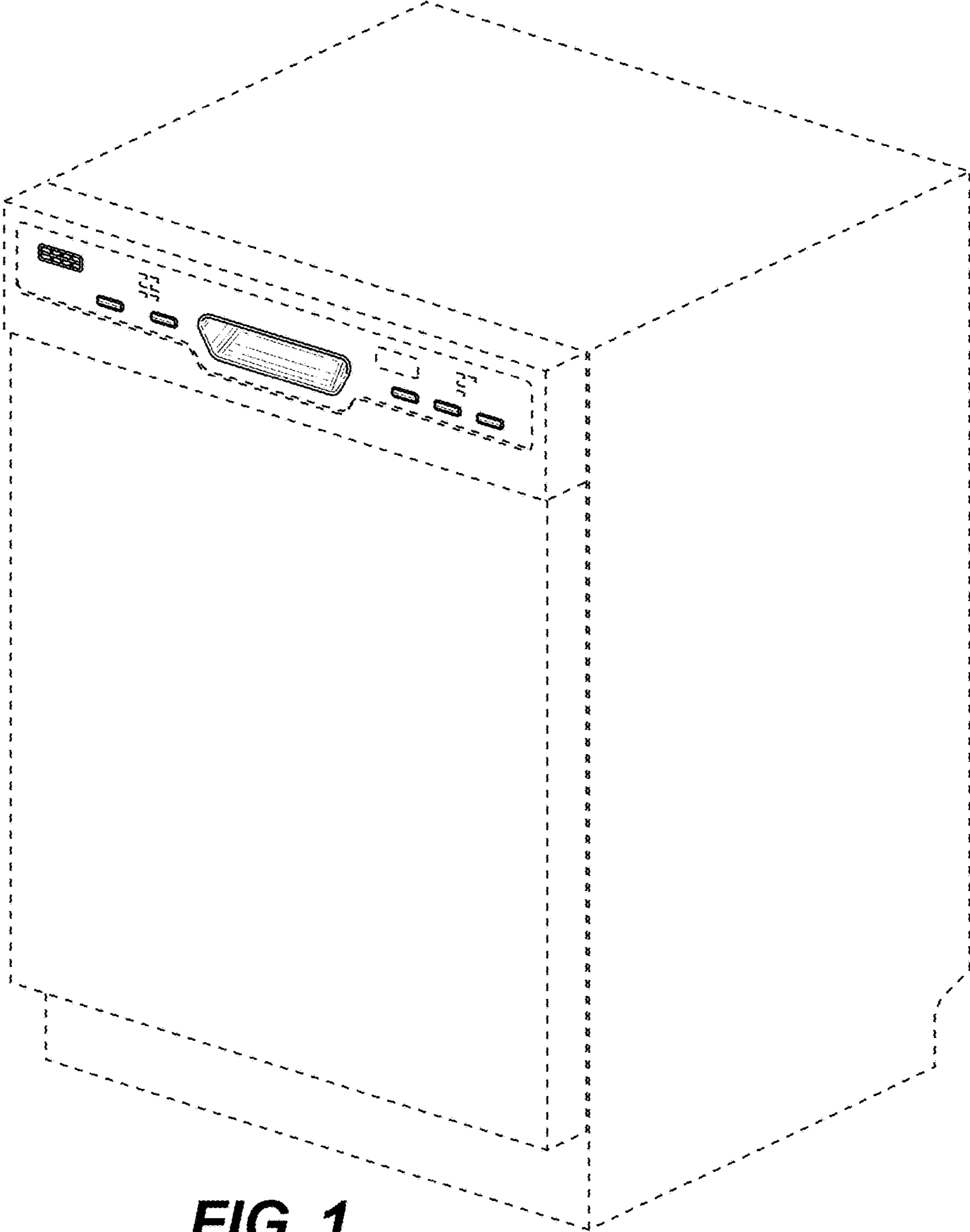
(56)

References Cited

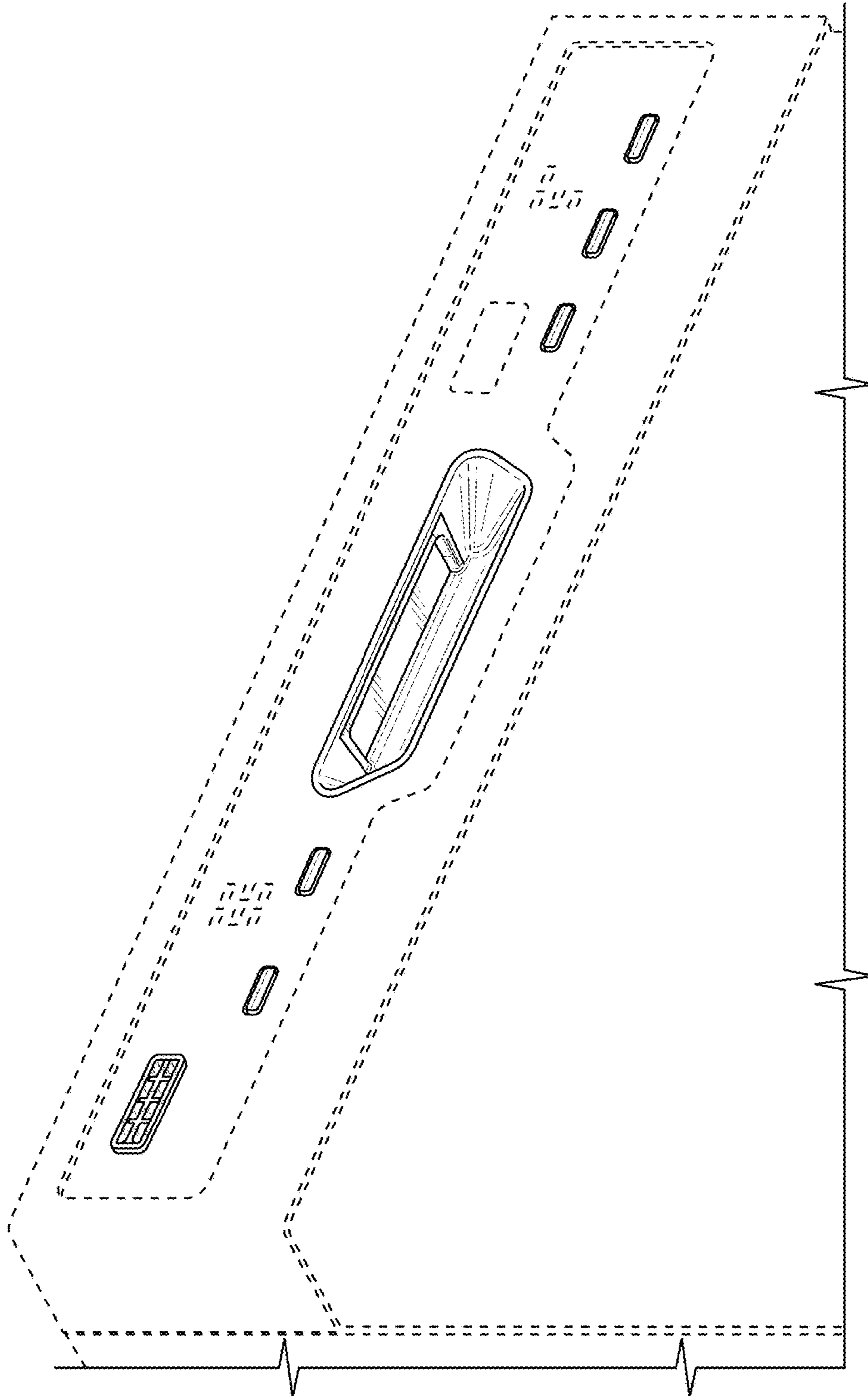
U.S. PATENT DOCUMENTS

D729,992	S *	5/2015	Haft	.....	D32/3
D730,593	S *	5/2015	Eng	.....	D32/3
D732,758	S *	6/2015	Roberson	.....	D32/3
D732,759	S *	6/2015	Roberson	.....	D32/3
D732,761	S *	6/2015	Roberson	.....	D32/3
D734,902	S *	7/2015	Eng	.....	D32/3
D741,031	S *	10/2015	Roberson	.....	D32/3
D743,119	S *	11/2015	Roberson	.....	D32/3
D743,121	S *	11/2015	Roberson	.....	D32/3
D743,642	S *	11/2015	Lee	.....	D32/3
D745,755	S *	12/2015	Roberson	.....	D32/3
D746,003	S *	12/2015	Shin	.....	D32/2
D748,353	S *	1/2016	Roberson	.....	D32/3
D748,875	S *	2/2016	Roberson	.....	D26/42
D758,026	S *	5/2016	Choi	.....	D32/3
D758,679	S *	6/2016	Yoon	.....	D14/486
D760,452	S *	6/2016	Roberson	.....	D32/2
D762,334	S *	7/2016	Kim	.....	D32/3
D765,923	S *	9/2016	Roberson	.....	D32/3
D775,770	S *	1/2017	Yoon	.....	D32/2
D778,009	S *	1/2017	Roberson	.....	D32/3
D791,418	S *	7/2017	Warren	.....	D32/3
D801,600	S *	10/2017	Kim	.....	D32/2
2003/0205954	A1 *	11/2003	Oyler	.....	A47L 15/4265 312/311
2004/0201337	A1 *	10/2004	Wuestefeld	.....	A47L 15/4265 312/311

\* cited by examiner



**FIG. 1**



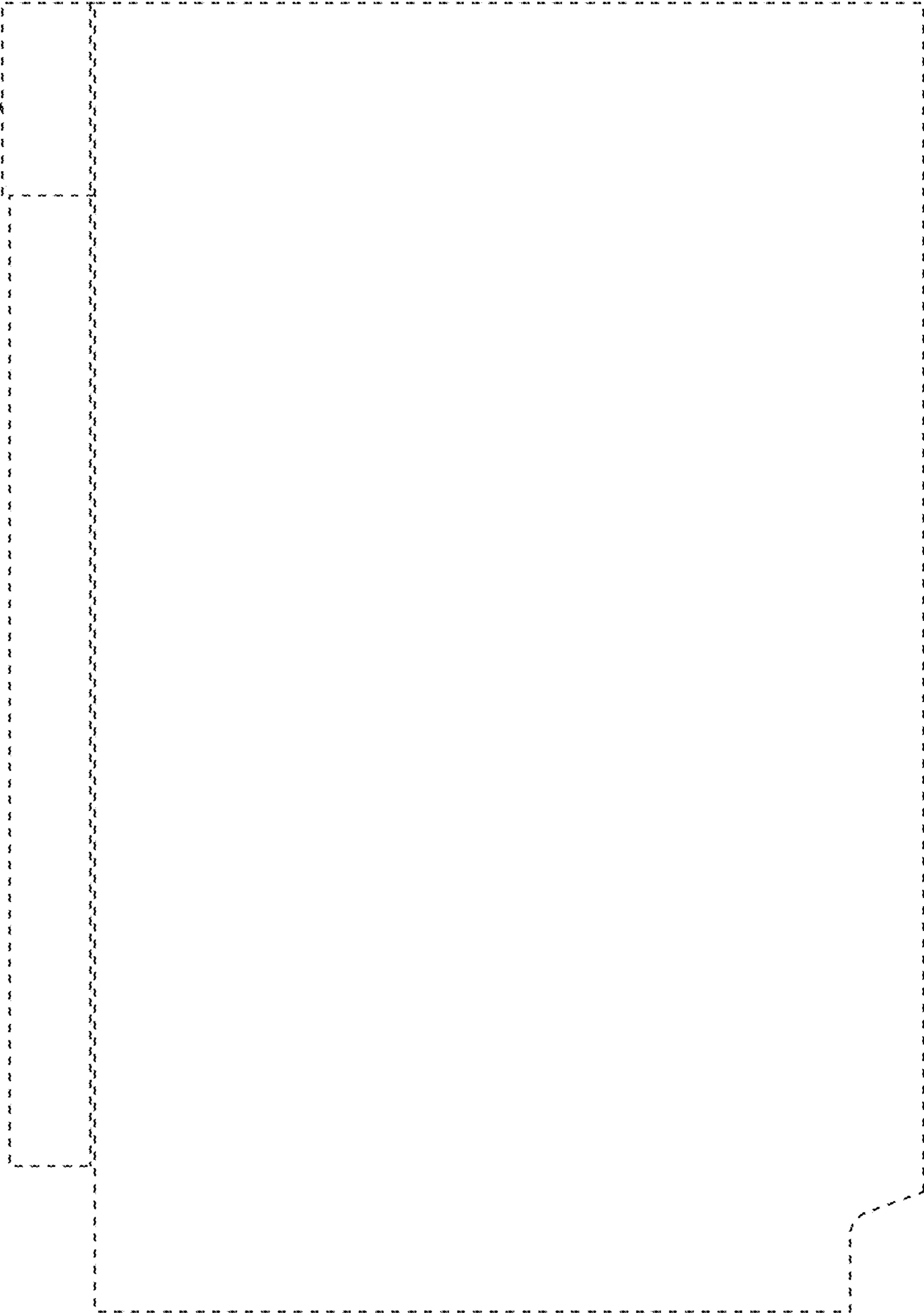
**FIG. 2**



**FIG. 3**



**FIG. 4**



**FIG. 5**



**FIG. 6**