



US00D824603S

(12) **United States Design Patent**
Bartz

(10) **Patent No.:** **US D824,603 S**
(45) **Date of Patent:** **** Jul. 31, 2018**

(54) **AVIAN FEEDER**

(71) Applicant: **Richard Otto Bartz**, Edina, MN (US)

(72) Inventor: **Richard Otto Bartz**, Edina, MN (US)

(73) Assignee: **Avian Cafe Corporation**, Edina, MN (US)

(**) Term: **15 Years**

(21) Appl. No.: **29/651,093**

(22) Filed: **Dec. 7, 2017**

(51) **LOC (11) Cl.** **30-03**

(52) **U.S. Cl.**
USPC **D30/127; D30/124**

(58) **Field of Classification Search**

USPC D30/121, 124, 126-129, 133, 199,
D30/110-112, 123, 125; 119/52.2, 51.5,
119/61.5, 57.8, 57.9, 52.3, 61.1, 531, 63,
119/428-435, 52.4, 55, 61.3, 69.5, 75, 76,
119/51.03; 47/67, 83; 248/318;
D11/164, 152; 211/128.1; D27/123;
(Continued)

(56) **References Cited**

U.S. PATENT DOCUMENTS

D81,620 S * 7/1930 Blunt D9/652
1,776,122 A * 9/1930 Krasnick A47D 13/08
297/467

(Continued)

Primary Examiner — Susan Moon Lee

(74) *Attorney, Agent, or Firm* — Richard John Bartz

(57) **CLAIM**

I claim the ornamental design for an avian feeder, as shown and described.

DESCRIPTION

The patent or application file contains at least one drawing executed in color. Copies of this patent or patent application

publication with color drawing(s) will be provided by the Office upon request and payment of the necessary fee.

FIG. 1 is a perspective view of a first embodiment of the avian feeder of my design;

FIG. 2 is a rear elevational view thereof;

FIG. 3 is a front elevational view thereof;

FIG. 4 is a left side elevational view thereof;

FIG. 5 is a right side elevational view thereof;

FIG. 6 is a top plan view thereof;

FIG. 7 is a bottom plan view thereof;

FIG. 8 is a perspective view of a second embodiment of the avian feeder of my design;

FIG. 9 is a rear elevational view thereof;

FIG. 10 is a front elevational view thereof;

FIG. 11 is a left side elevational view thereof;

FIG. 12 is a right side elevational view thereof;

FIG. 13 is a top plan view thereof;

FIG. 14 is a bottom plan view thereof;

FIG. 15 is a perspective view of a third embodiment of the avian feeder of my design;

FIG. 16 is a rear elevational view thereof;

FIG. 17 is a front elevational view thereof;

FIG. 18 is a left side elevational view thereof;

FIG. 19 is a right side elevational view thereof;

FIG. 20 is a top plan view thereof;

FIG. 21 is a bottom plan view thereof;

FIG. 22 is a perspective view of a fourth embodiment of the avian feeder of my design;

FIG. 23 is a rear elevational view thereof;

FIG. 24 is a front elevational view thereof;

FIG. 25 is a left side elevational view thereof;

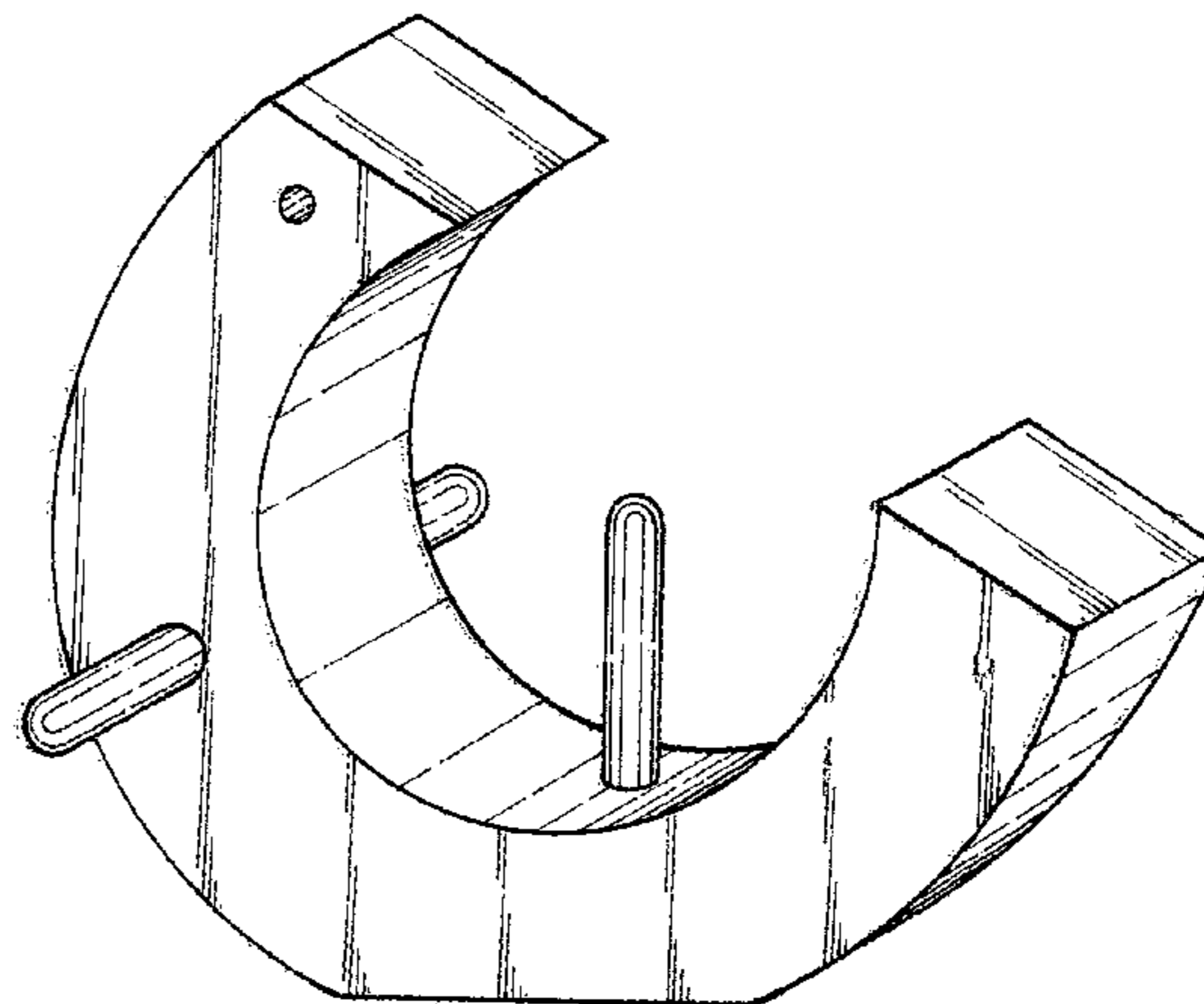
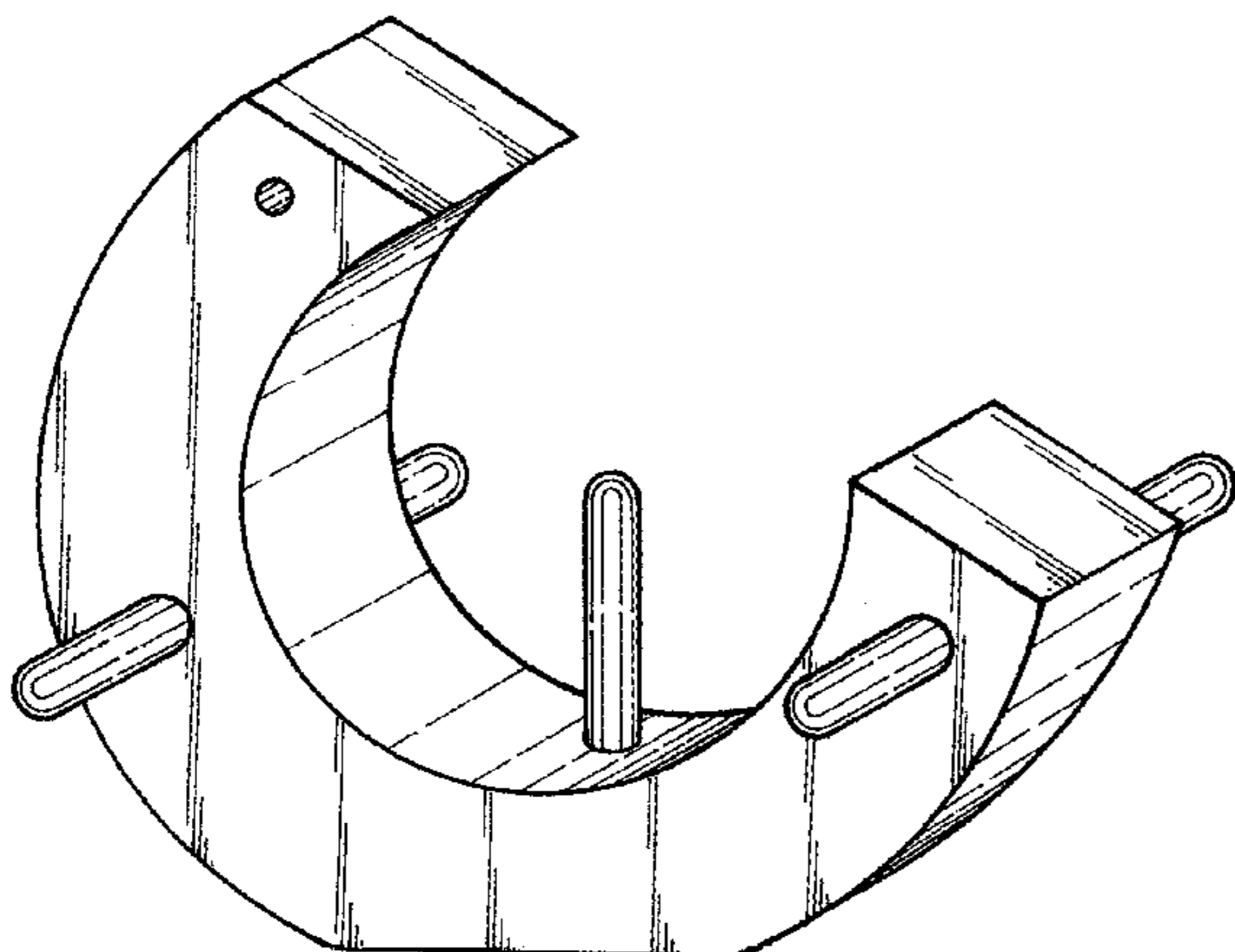
FIG. 26 is a right side elevational view thereof;

FIG. 27 is a top plan view thereof; and,

FIG. 28 is a bottom plan view thereof.

FIGS. 22 to 28 are colored red.

1 Claim, 16 Drawing Sheets
(4 of 16 Drawing Sheet(s) Filed in Color)



US D824,603 S

Page 2

(58) Field of Classification Search

USPC D6/495, 460, 461, 476, 405, 67;
D21/484, 488, 490, 492-495, 503, 519,
D21/521, 530, 688, 811, 814, 828;
D19/34.1, 34.3, 101, 102, 37, 59, 60, 62,
D19/64, 95-97, 100; D7/602, 604, 601;
D10/64, 65
CPC A01K 39/00; A01K 39/01; A01K 39/0113;
A01K 39/012; A01K 39/06; A01K
5/0225; A01K 5/00
See application file for complete search history.

(56) References Cited

U.S. PATENT DOCUMENTS

D126,824 S * 4/1941 Gieringer D24/187
2,503,068 A 4/1950 Pueschel
D168,081 S * 10/1952 Tylon D9/650
2,942,886 A * 6/1960 Ackerman A63B 67/10
273/332
3,090,354 A 5/1963 Frank
D204,042 S * 3/1966 Stix D26/107
D208,471 S * 9/1967 Kenney D8/367
D215,141 S * 9/1969 Harmsen D13/128
3,520,570 A * 7/1970 Christopher A45F 5/10
294/27.1
D228,327 S * 9/1973 Court D6/678.4
3,799,416 A * 3/1974 Schmaltz A45F 5/10
248/214
D245,835 S * 9/1977 Lusk 428/542.6
4,299,342 A * 11/1981 Kessler A45F 5/10
248/340
4,335,839 A * 6/1982 Kessler A45F 5/10
248/340
D266,124 S * 9/1982 Stankewich D8/367
D272,231 S * 1/1984 Black, Jr. D8/349
4,607,597 A 8/1986 Sevigay
D288,170 S * 2/1987 Foster D8/349
D290,558 S * 6/1987 Zorrilla D6/682.5
D295,727 S * 5/1988 Clarke 294/137
D297,074 S * 8/1988 Burke D3/328
4,793,289 A * 12/1988 Peeso A01K 5/015
119/466
D300,790 S * 4/1989 Beckwith D11/131
4,846,447 A * 7/1989 Hanna B67D 7/50
141/392
D314,907 S * 2/1991 Ricci D9/520
5,025,753 A 6/1991 Schneider
D318,789 S * 8/1991 Oltrogge D3/315
D330,667 S * 11/1992 Scholl D8/315
D330,953 S * 11/1992 Schneider D30/124
D334,316 S * 3/1993 Daniel D6/315
D335,401 S * 5/1993 Nations D11/131
D337,716 S * 7/1993 Weissman D8/349
5,247,904 A 9/1993 Anderson
D344,449 S * 2/1994 Ward D8/395
D356,906 S * 4/1995 Dardashti D6/674
D358,094 S * 5/1995 DeGiacomo, Jr. 294/137
D362,621 S * 9/1995 Blocker 294/137
D367,477 S * 2/1996 Rosen D14/452
D368,567 S * 4/1996 Chase D34/29
D369,470 S * 5/1996 Suggs, Sr. 294/143
D369,482 S * 5/1996 McArdle D7/601
D380,670 S * 7/1997 Blocker D9/434
D380,878 S 7/1997 Brown
D385,788 S * 11/1997 Risser 294/137
D386,834 S * 11/1997 Nissim D30/119
D391,145 S * 2/1998 Costa D8/367
D399,611 S 10/1998 Ericson
5,947,054 A 9/1999 Liethen
D417,390 S * 12/1999 Hofman D8/395
D422,122 S 3/2000 Vore et al.
D422,755 S 4/2000 Calwell
D422,867 S * 4/2000 Forbes 294/137
D431,330 S 9/2000 Jones

D439,502 S * 3/2001 Shan D8/354
D442,269 S * 5/2001 Pinchuk D23/351
D442,488 S * 5/2001 LePage D9/521
6,253,400 B1 * 7/2001 Rudt-Sturzenegger
..... A47D 13/083
5/630
D447,947 S * 9/2001 Nakagawa D3/328
D458,129 S * 6/2002 Foster D9/434
D458,536 S * 6/2002 Samelson D6/580
D476,569 S * 7/2003 Simkins D9/455
6,672,249 B2 1/2004 Lucio
6,830,086 B2 * 12/2004 Smith B67D 7/50
141/392
D500,950 S * 1/2005 Kelleghan D8/356
6,846,023 B2 * 1/2005 Ebinger F16L 37/1225
24/563
D508,841 S * 8/2005 Jordan, Jr. D8/395
D515,418 S * 2/2006 Sandler D9/434
D517,414 S * 3/2006 Abadinsky D9/522
7,029,222 B2 * 4/2006 Becker B60Q 5/003
200/61.54
D520,362 S * 5/2006 Powell D9/434
D540,156 S * 4/2007 Bryant D8/367
D546,664 S * 7/2007 Shoui D8/382
D553,245 S * 10/2007 Jodaikin D1/100
D564,351 S * 3/2008 Leclerc D9/434
D569,241 S * 5/2008 O'Neill D8/395
7,377,566 B2 * 5/2008 Gazau B65G 7/12
294/137
D575,063 S * 8/2008 Sandler D3/328
D593,413 S * 6/2009 Snyder D9/516
D598,518 S * 8/2009 Kennedy D22/149
D607,327 S * 1/2010 Harlan D9/455
D610,851 S * 3/2010 Trub D6/327
D625,183 S * 10/2010 Bartsch D9/434
D639,653 S * 6/2011 Kanda D9/434
8,104,780 B1 * 1/2012 McConnell-Copploe
..... A47D 13/043
280/47.371
8,136,856 B2 * 3/2012 Schwanbeck B66C 1/34
294/82.1
D657,919 S * 4/2012 Papworth D30/128
8,147,119 B2 4/2012 Kien
8,215,681 B2 * 7/2012 Stevenson D04G 5/00
289/16.5
D667,629 S * 9/2012 Alamo D3/210
D670,547 S * 11/2012 Gorzo D11/164
D676,139 S * 2/2013 Golzari D24/200
D682,075 S * 5/2013 Pierce D8/367
D682,076 S * 5/2013 Pierce D8/367
D718,295 S * 11/2014 Fan D14/251
D719,001 S * 12/2014 Robinson D8/73
8,905,093 B2 * 12/2014 Cloud B67D 7/50
141/390
D732,045 S * 6/2015 Stener D14/447
9,080,715 B2 * 7/2015 Biddle F16M 13/022
9,089,111 B2 7/2015 King et al.
9,155,404 B2 * 10/2015 Axtell A47D 15/006
D750,400 S * 3/2016 Lowery D6/678
D756,212 S * 5/2016 Wilk, Jr. D23/262
9,462,790 B2 10/2016 King et al.
D770,872 S * 11/2016 Gledhill D8/17
D772,052 S * 11/2016 Mutamba D8/402
D791,839 S * 7/2017 Fox D15/5
D797,937 S * 9/2017 Dacosta D24/171
D805,192 S * 12/2017 Mahood D24/127
D806,959 S * 1/2018 Bartz D30/127
D808,085 S * 1/2018 Bartz D30/127
D810,901 S * 2/2018 Matsunaga D23/322
D811,854 S * 3/2018 Maurer D8/354
D812,385 S * 3/2018 Obenauf D6/315
D812,731 S * 3/2018 Matsunaga D23/322
2006/0265809 A1 * 11/2006 Wagner A47D 13/083
5/655
2008/0103596 A1 * 5/2008 Shikinami A61F 2/442
623/17.16

* cited by examiner

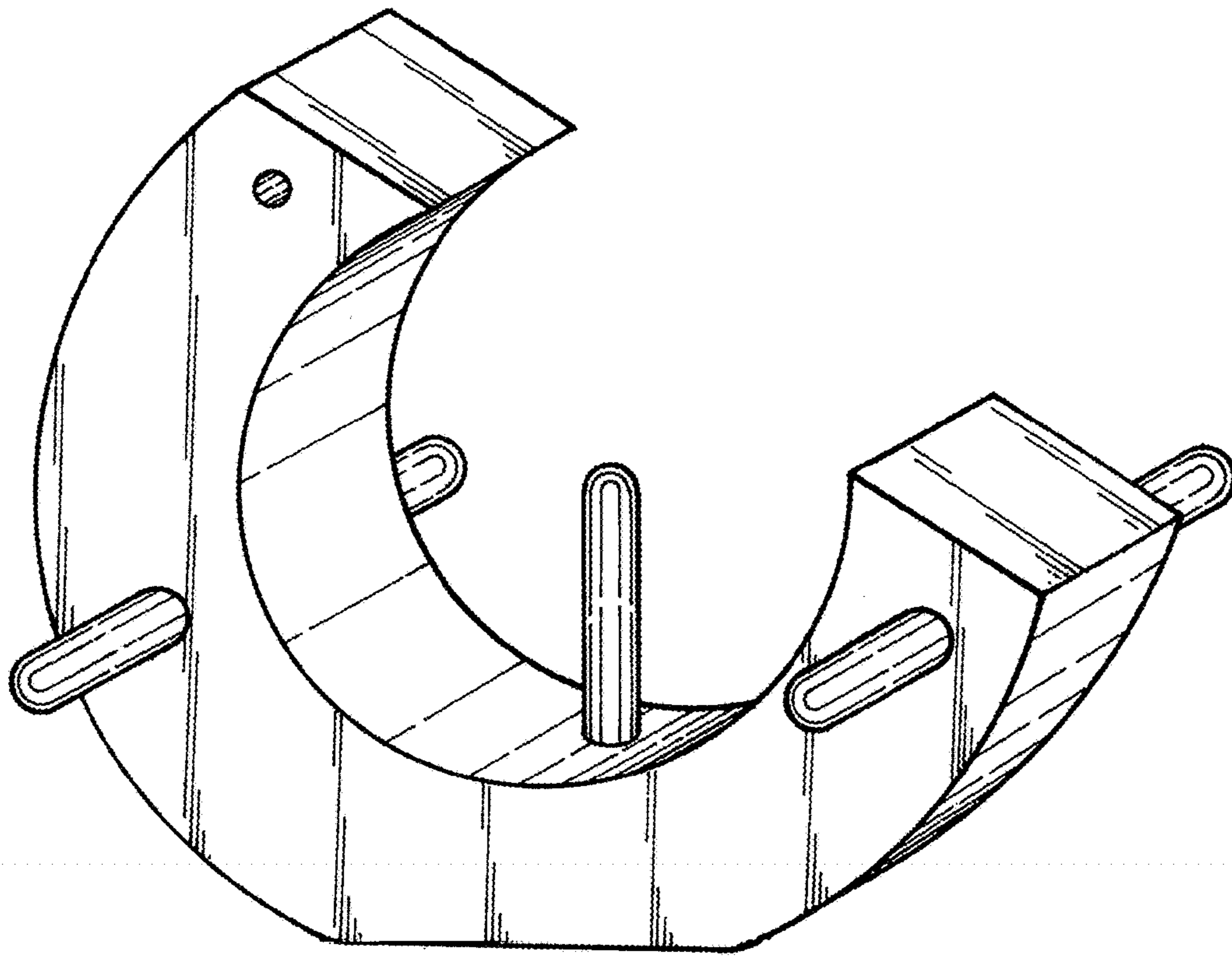


FIG.1

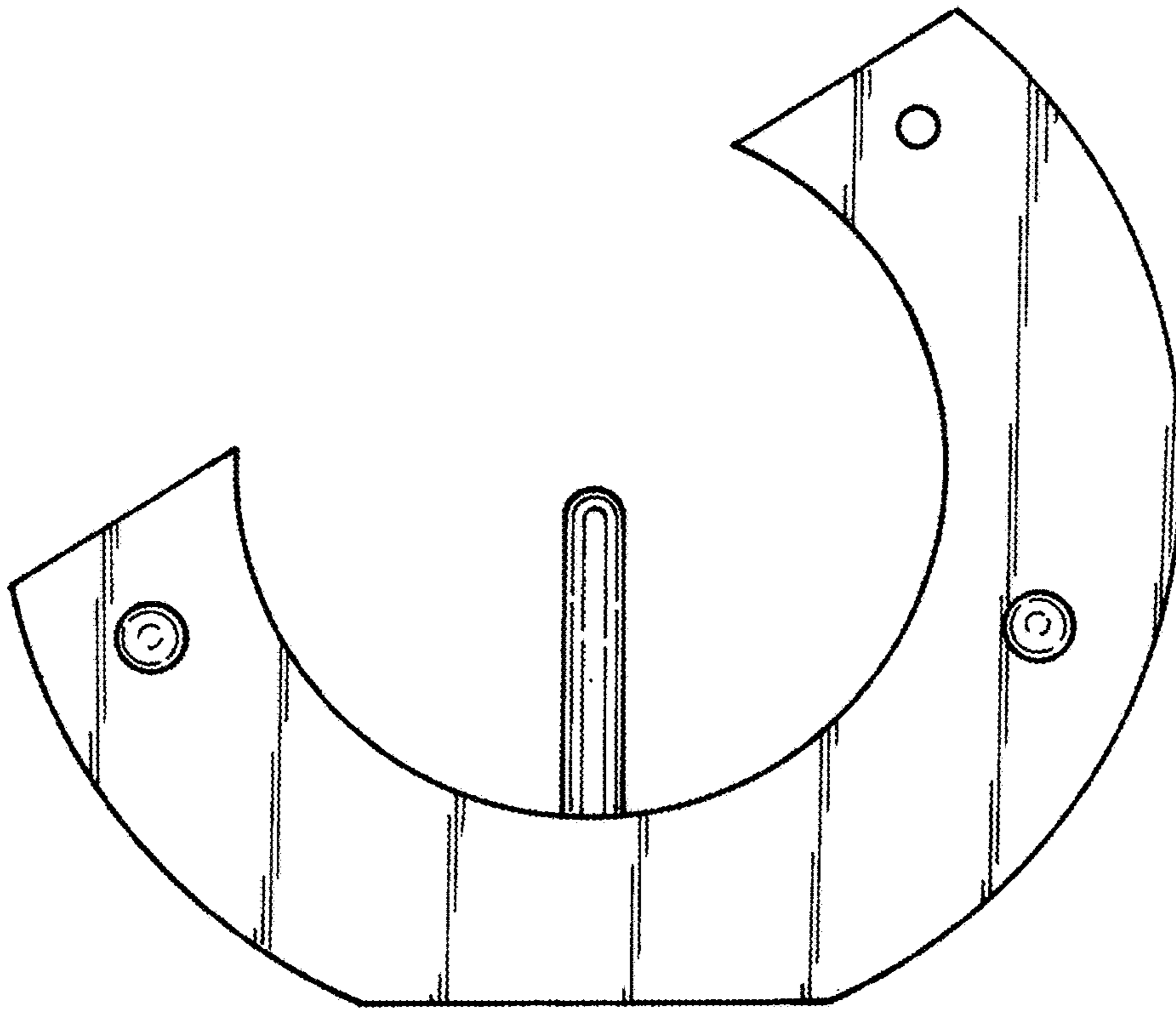


FIG. 2

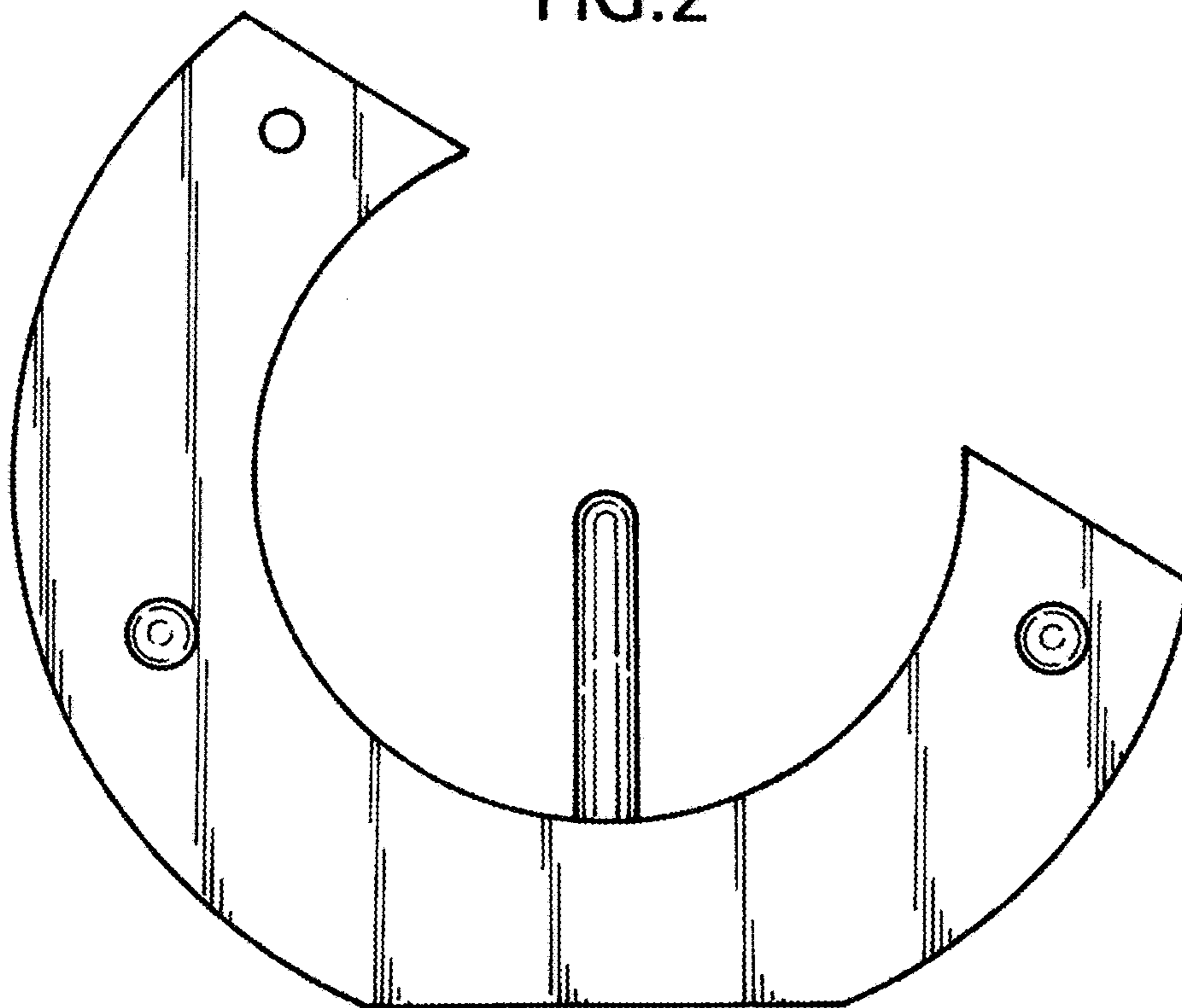
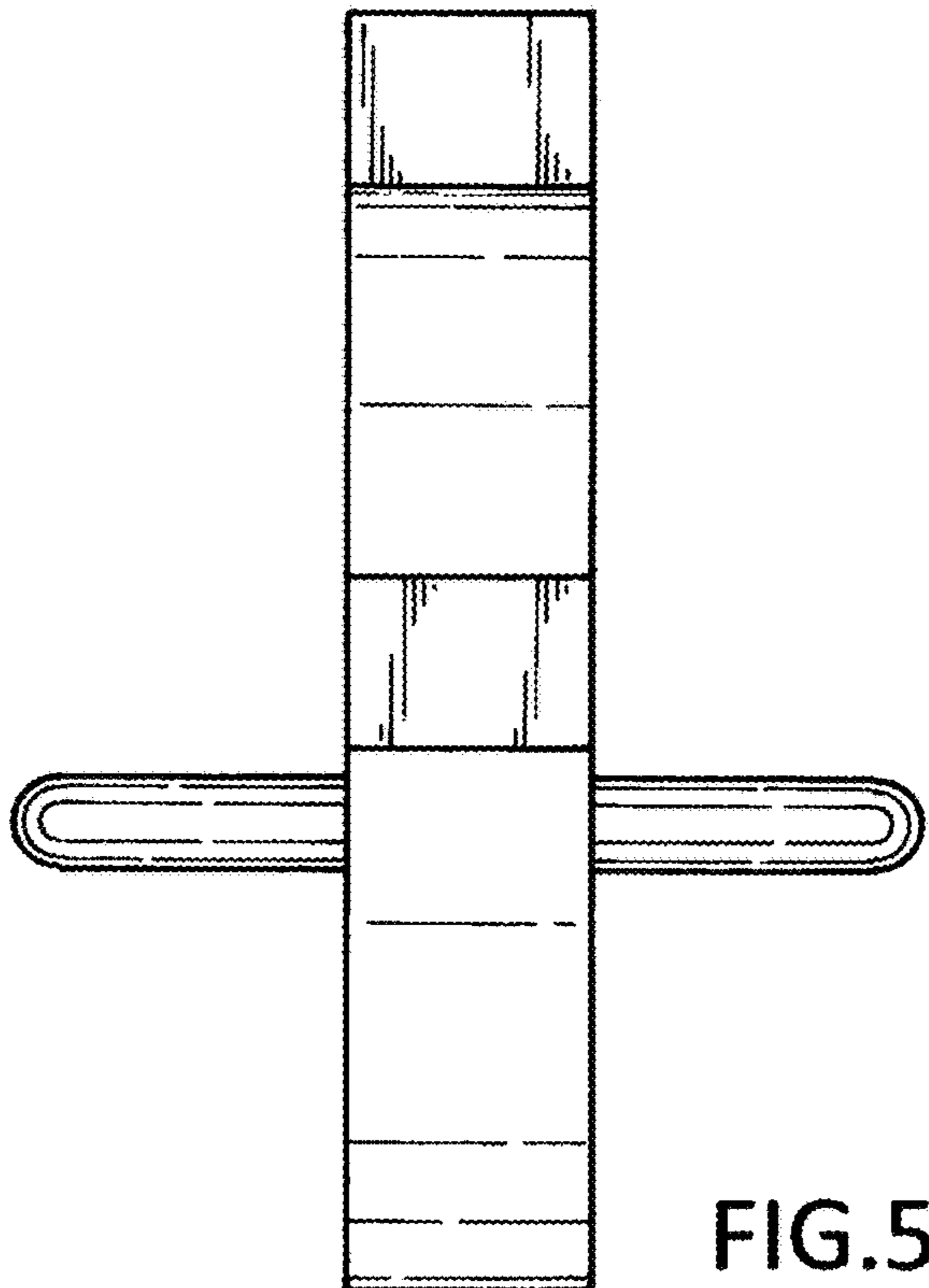
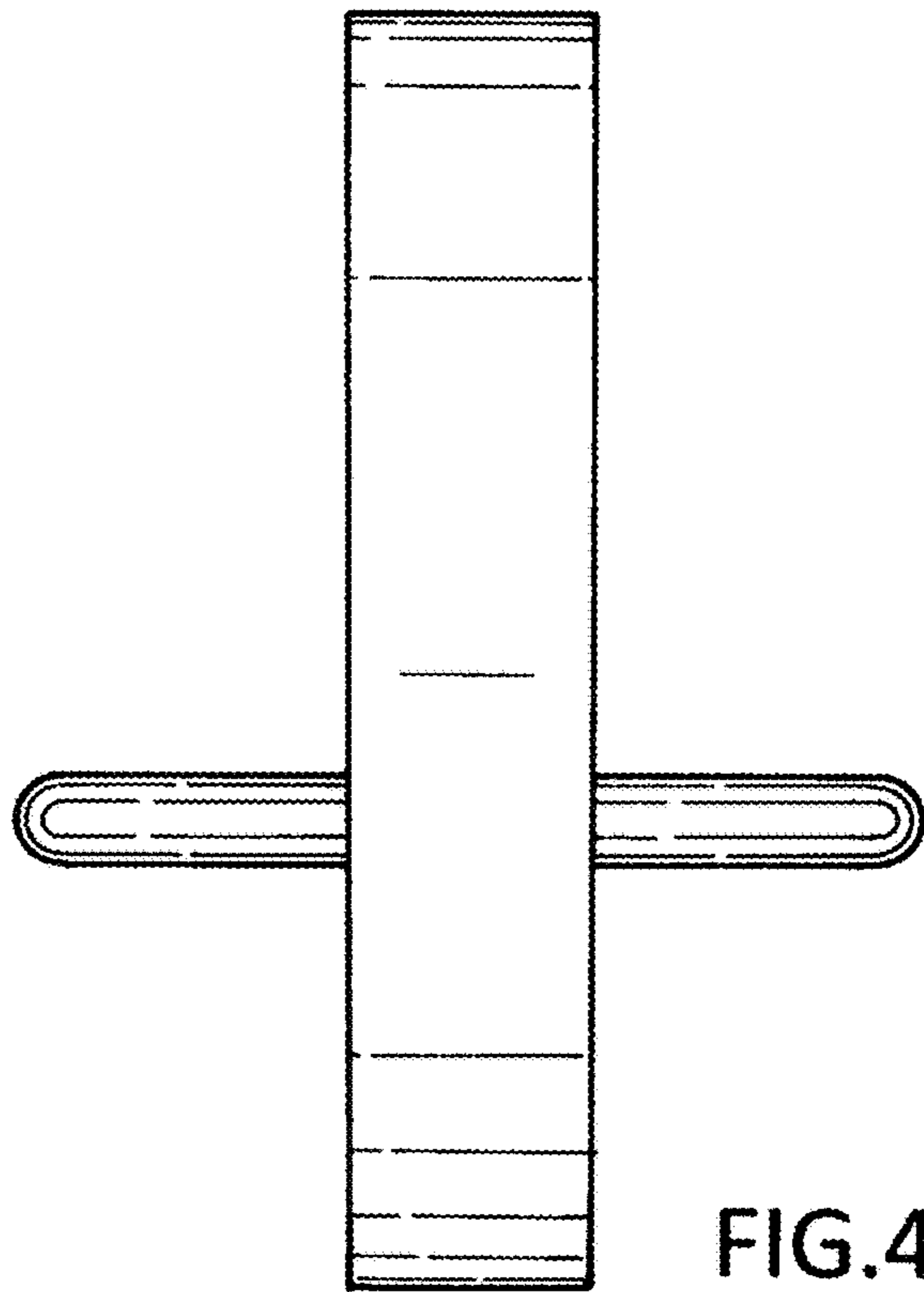


FIG. 3



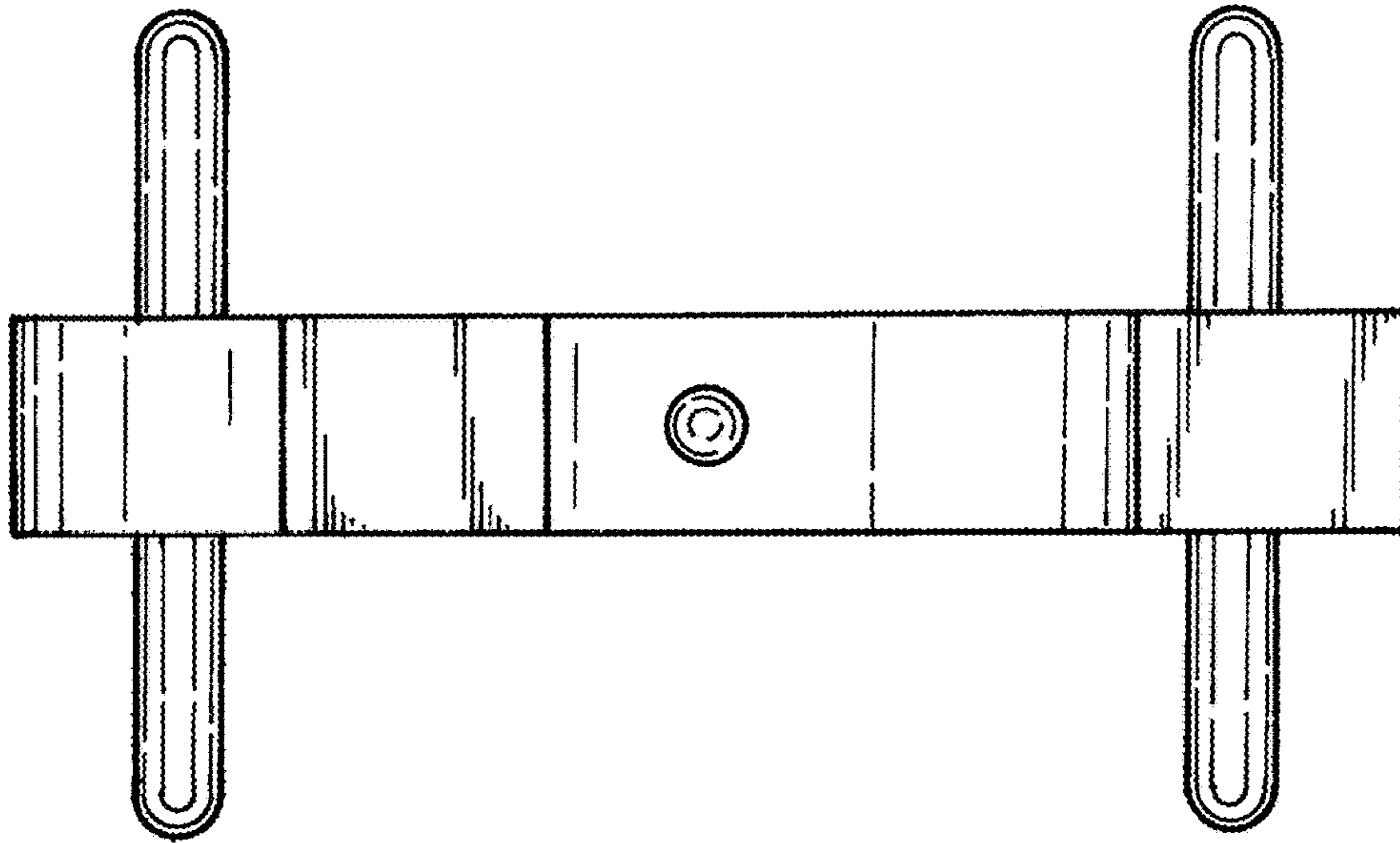


FIG. 6

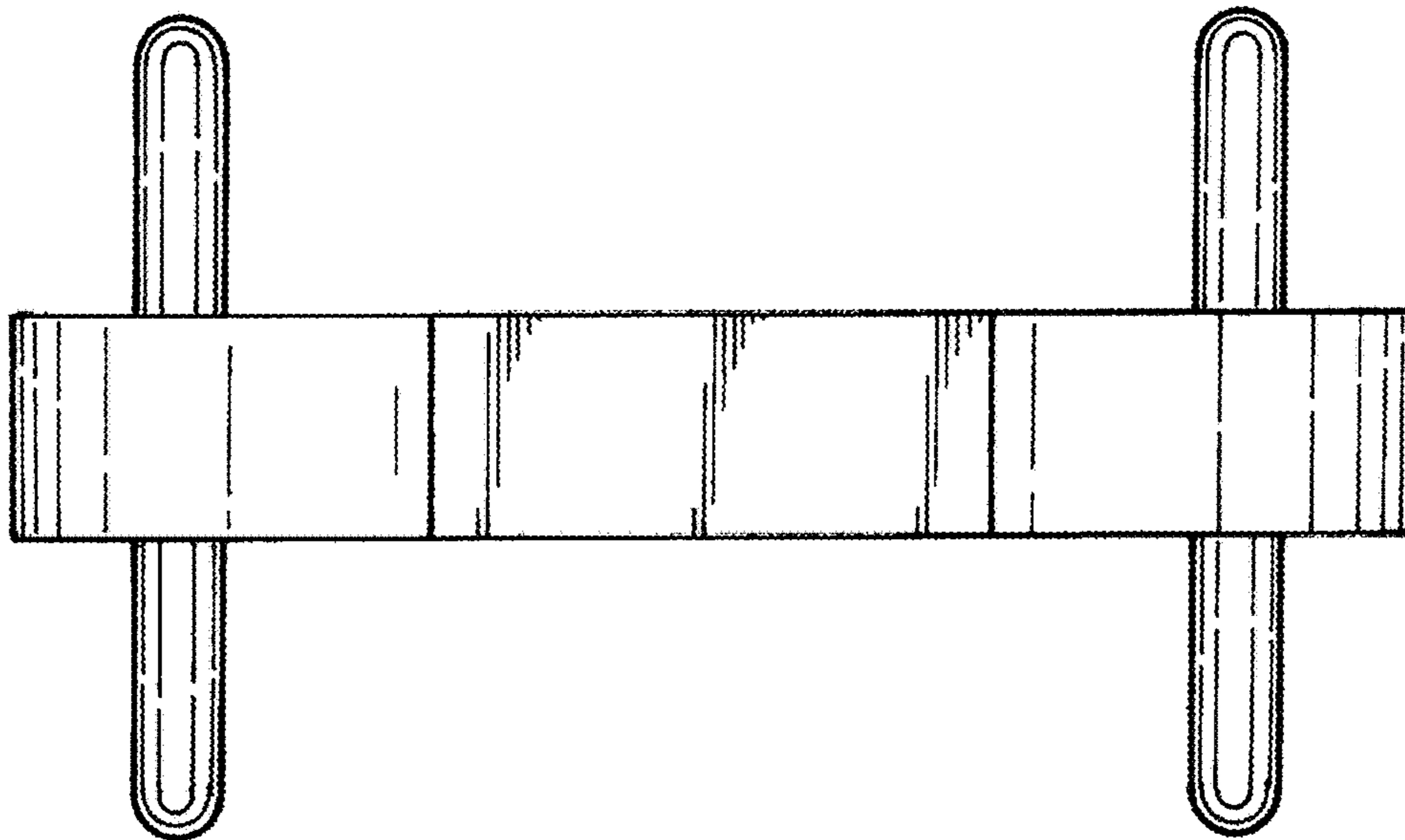


FIG. 7

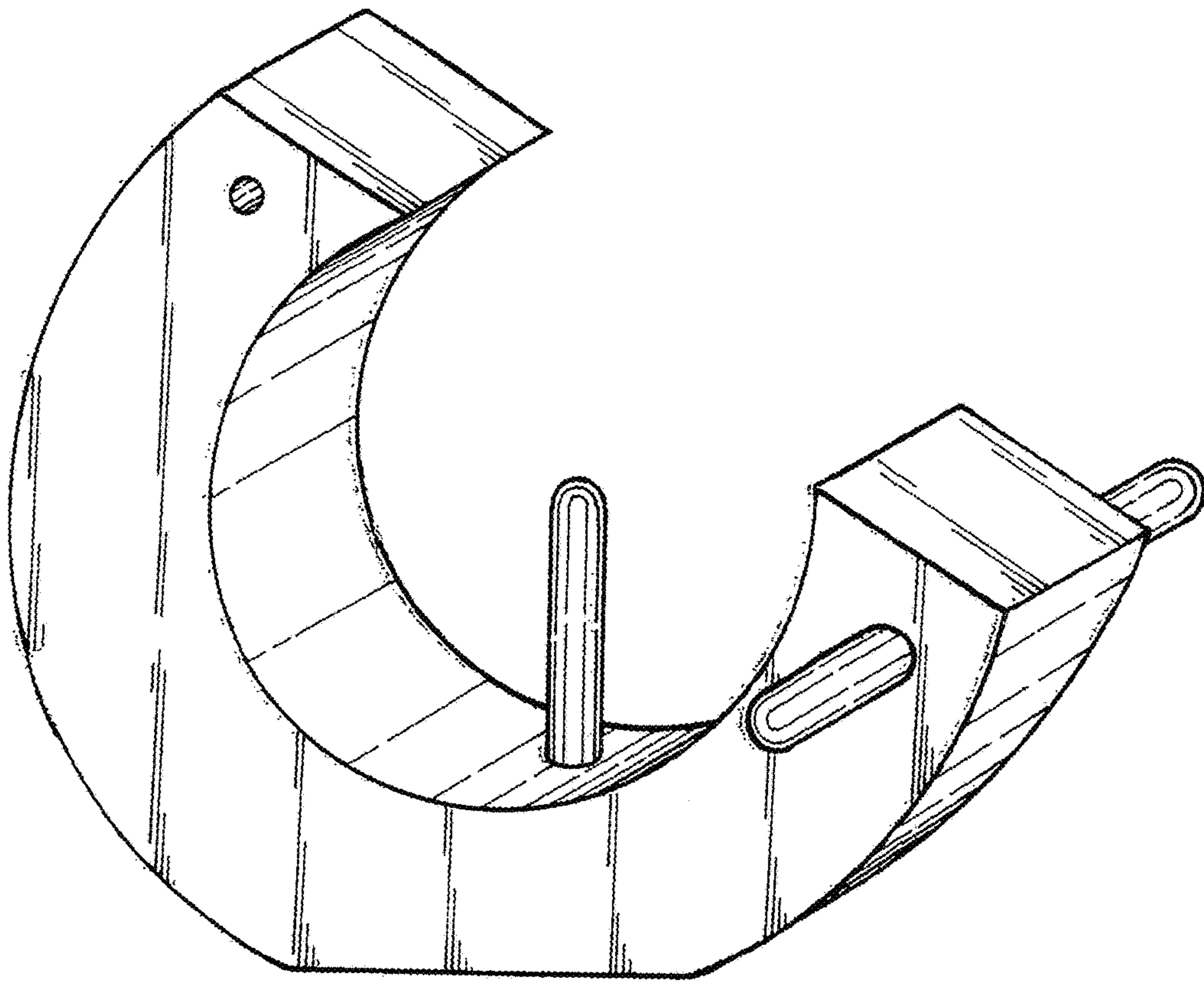


FIG. 8

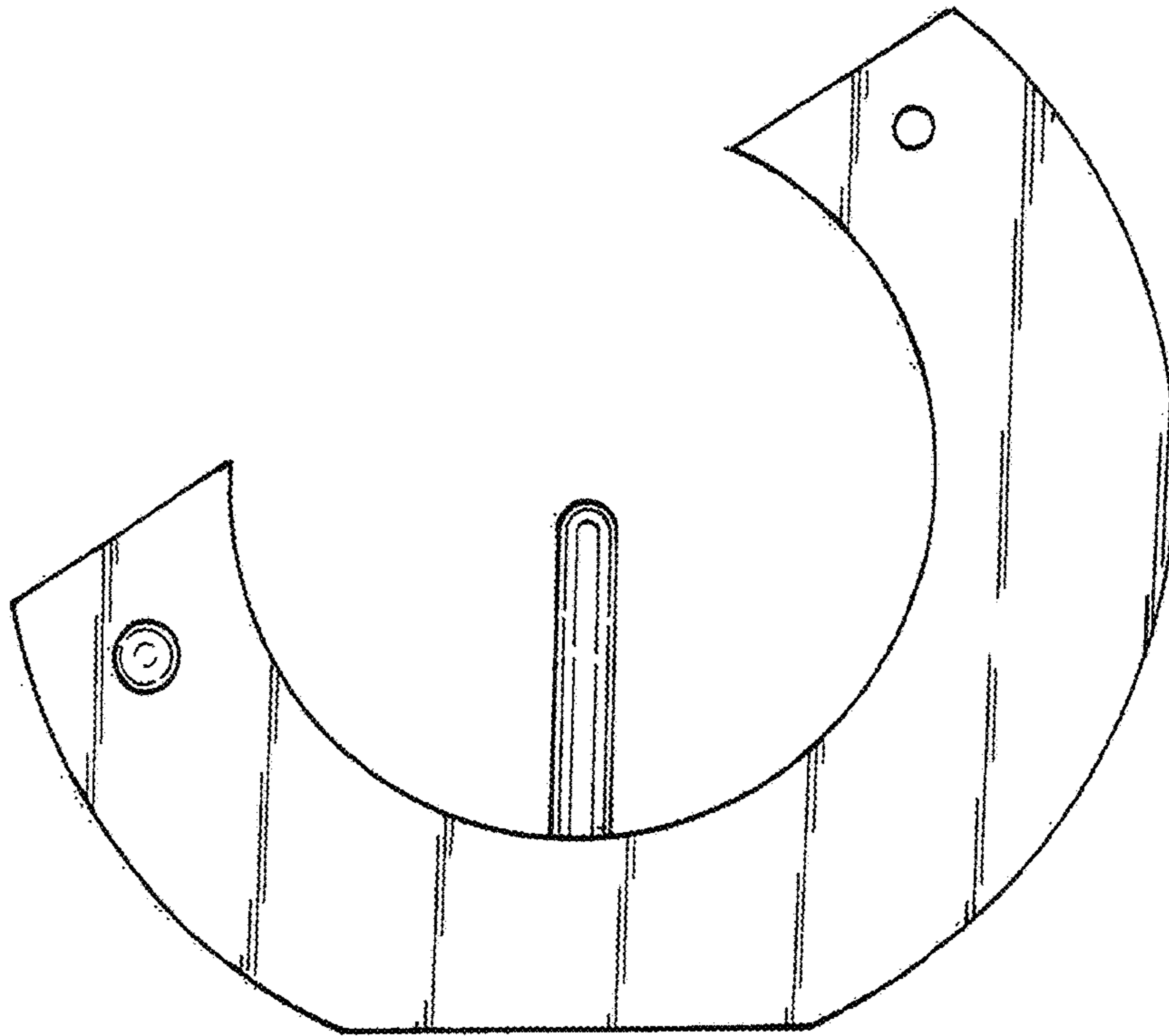


FIG. 9

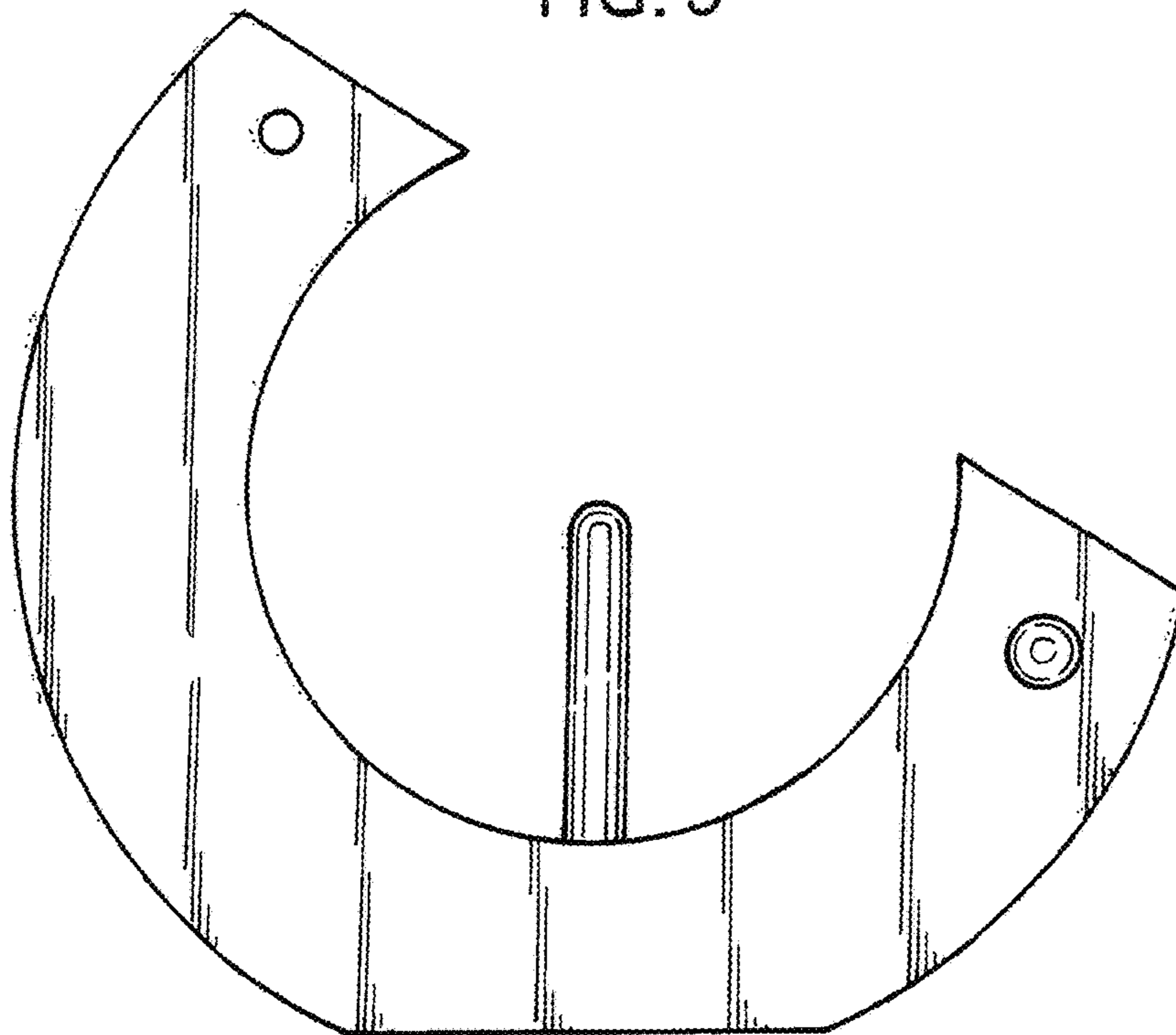


FIG. 10

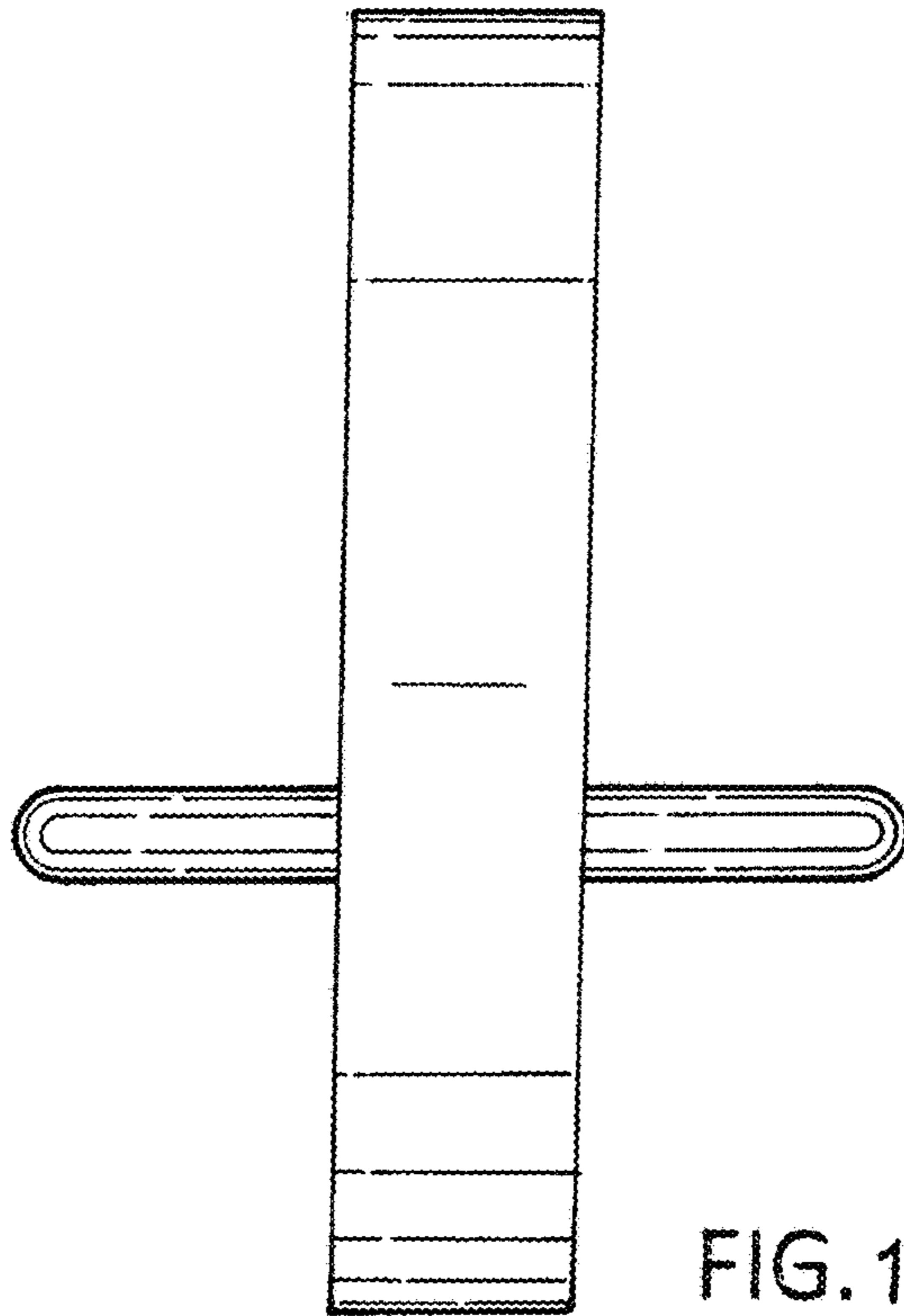


FIG. 11

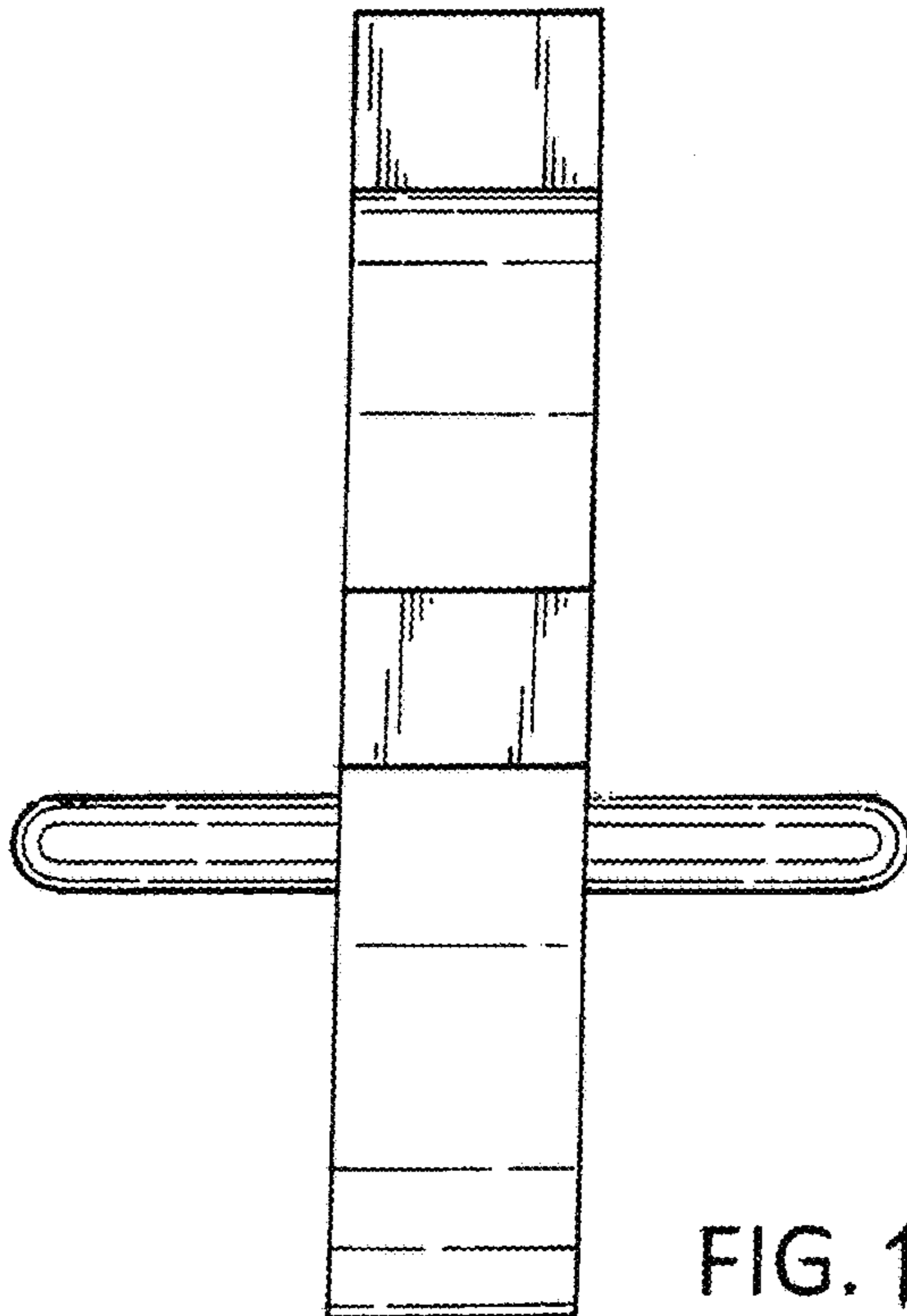


FIG. 12

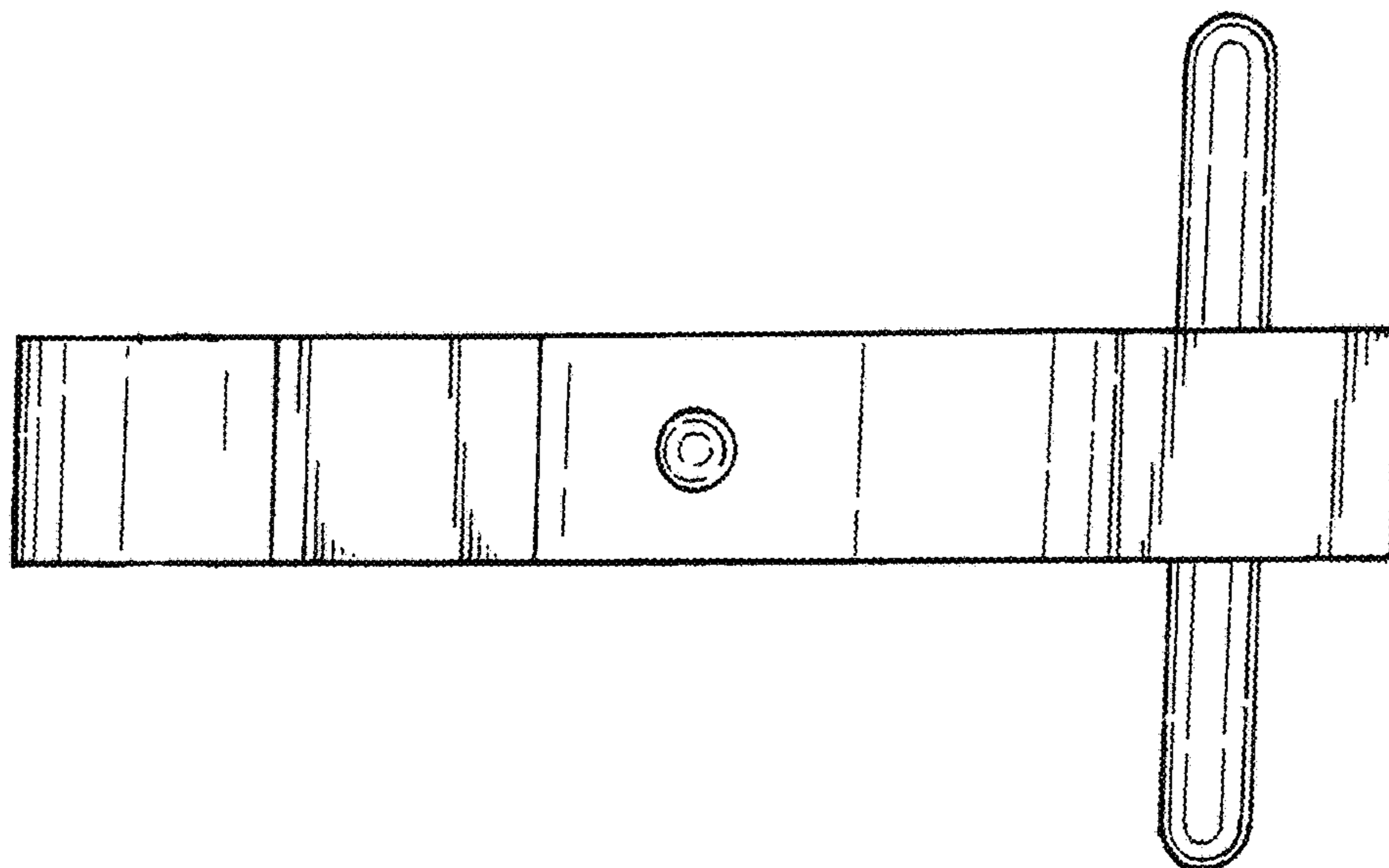


FIG. 13

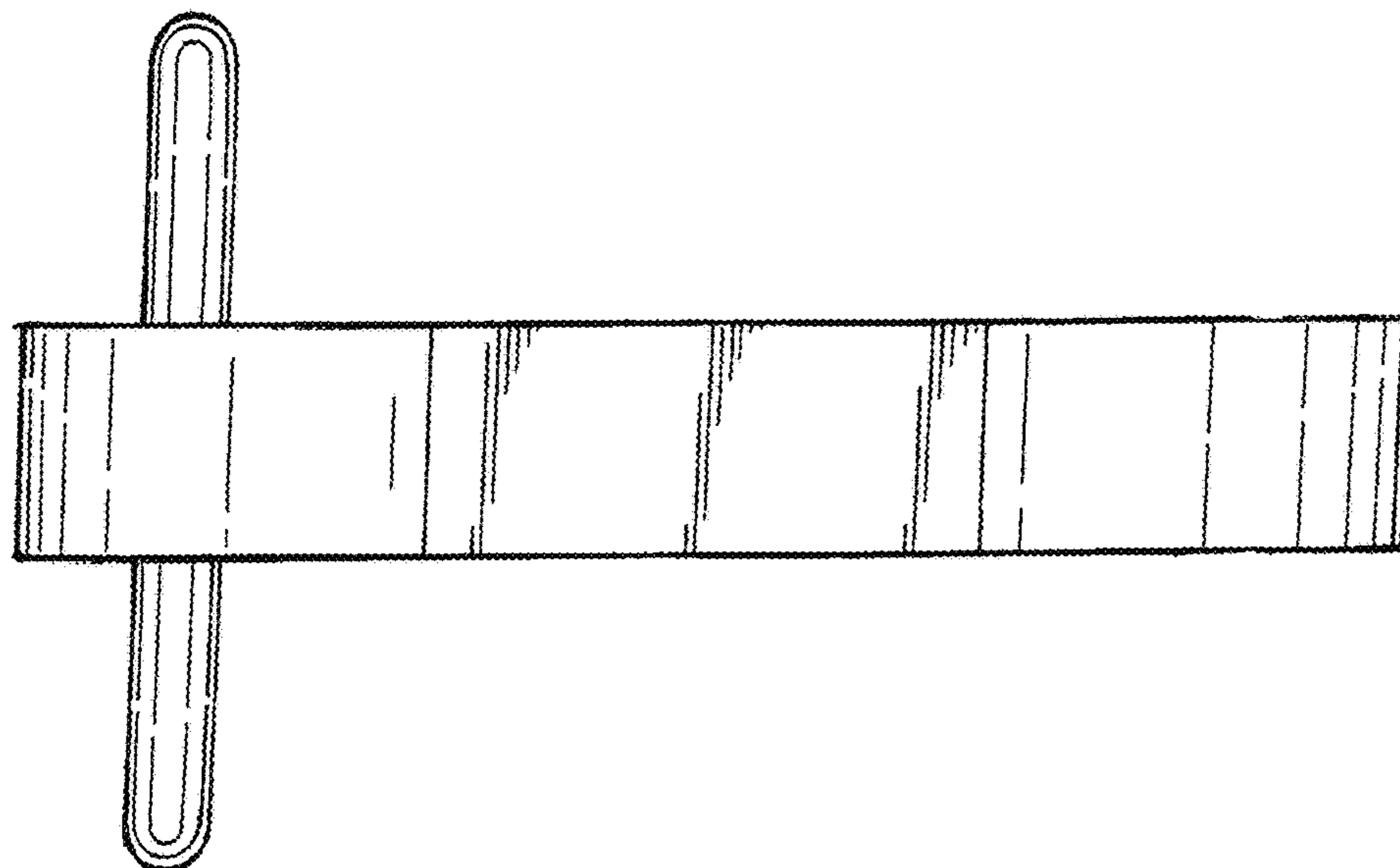


FIG. 14

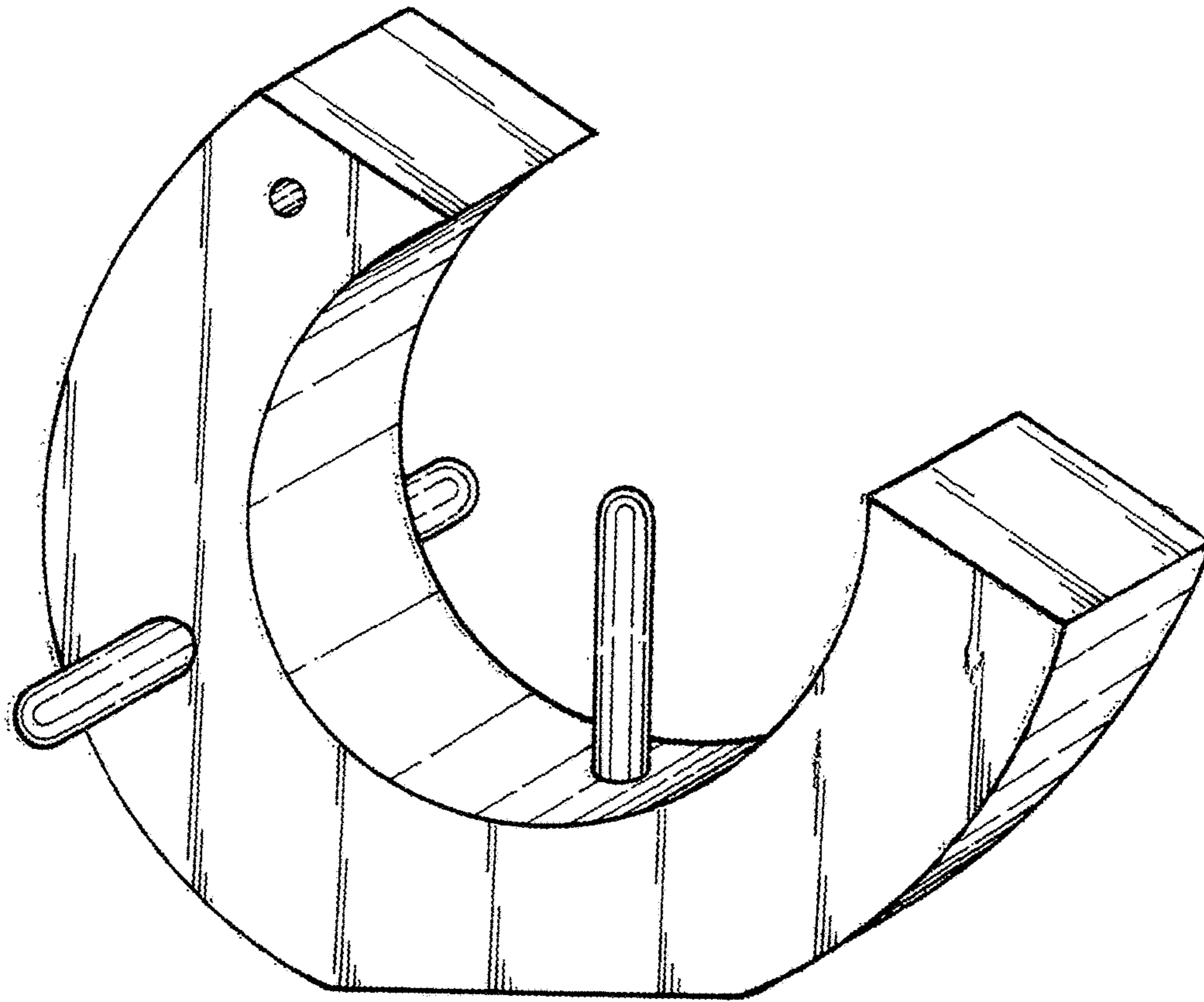


FIG. 15

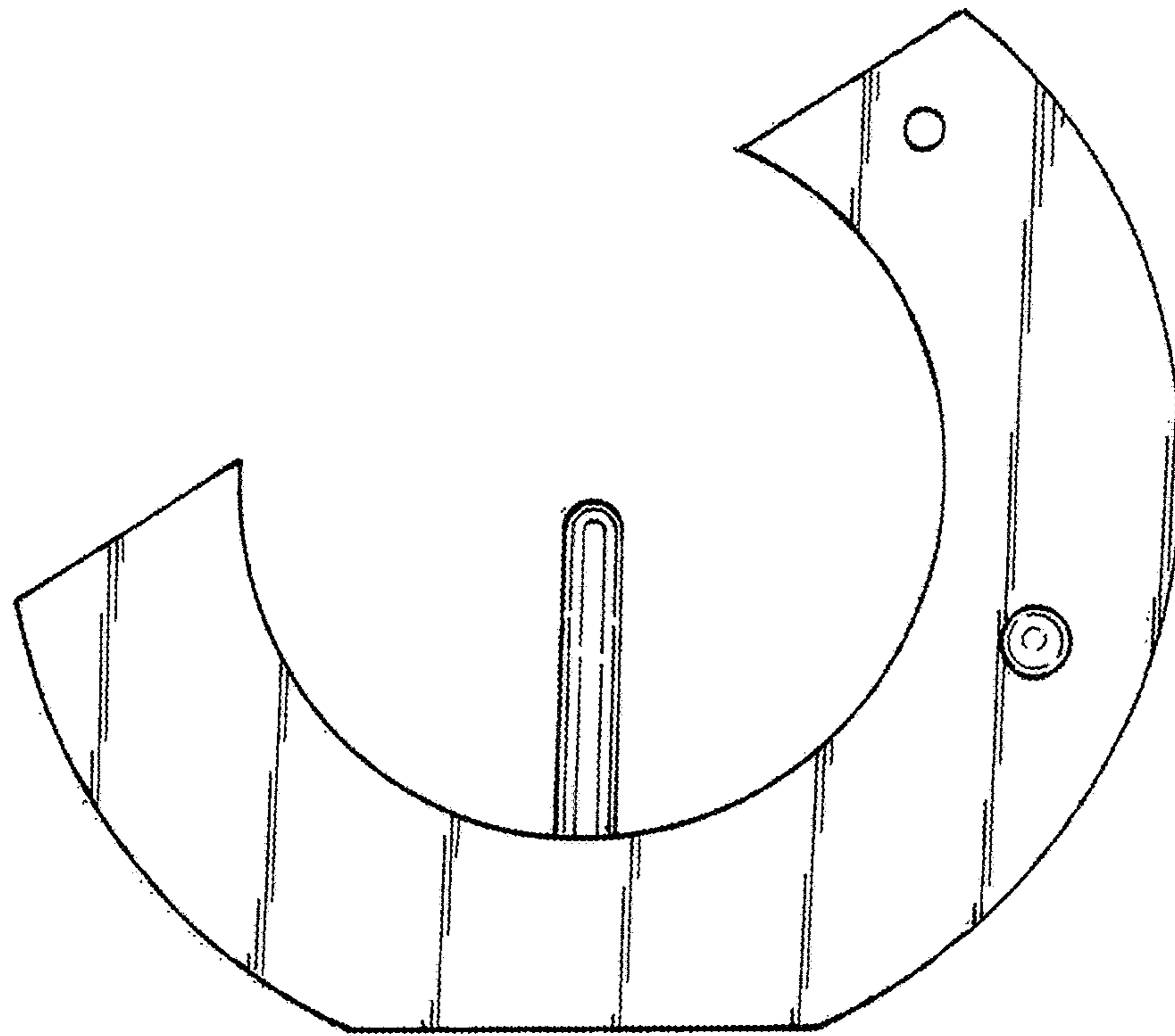


FIG. 16

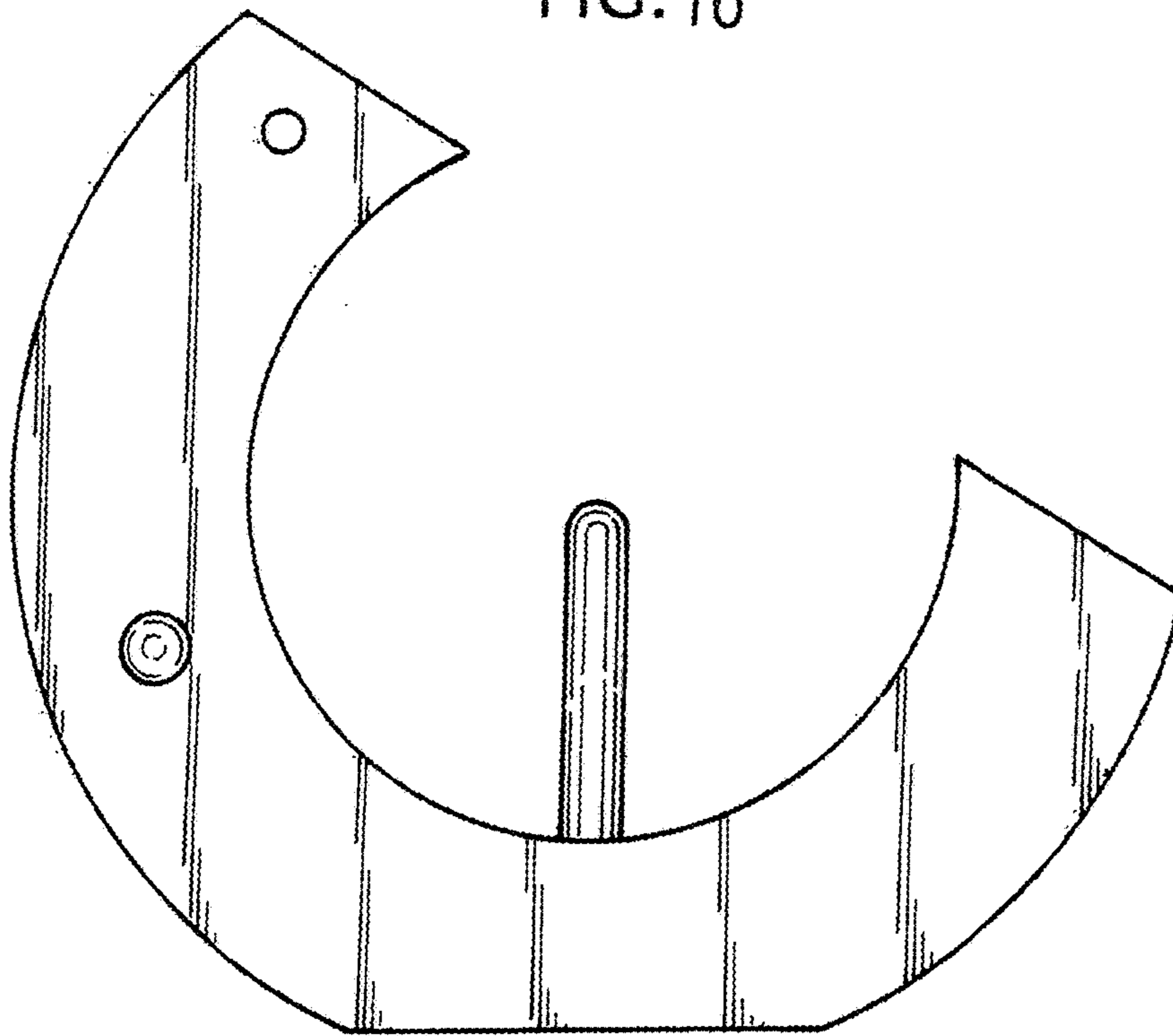


FIG. 17

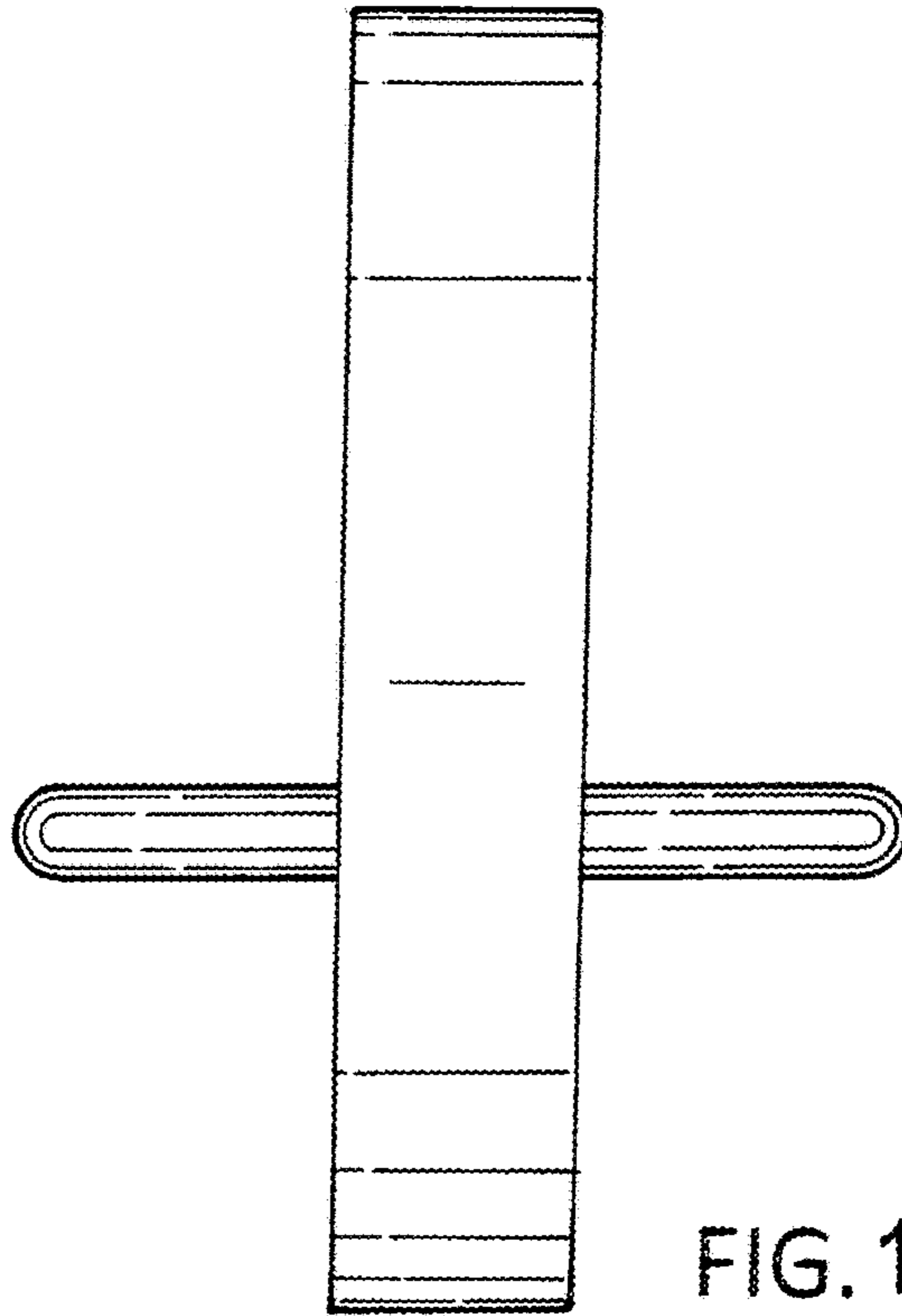


FIG. 18

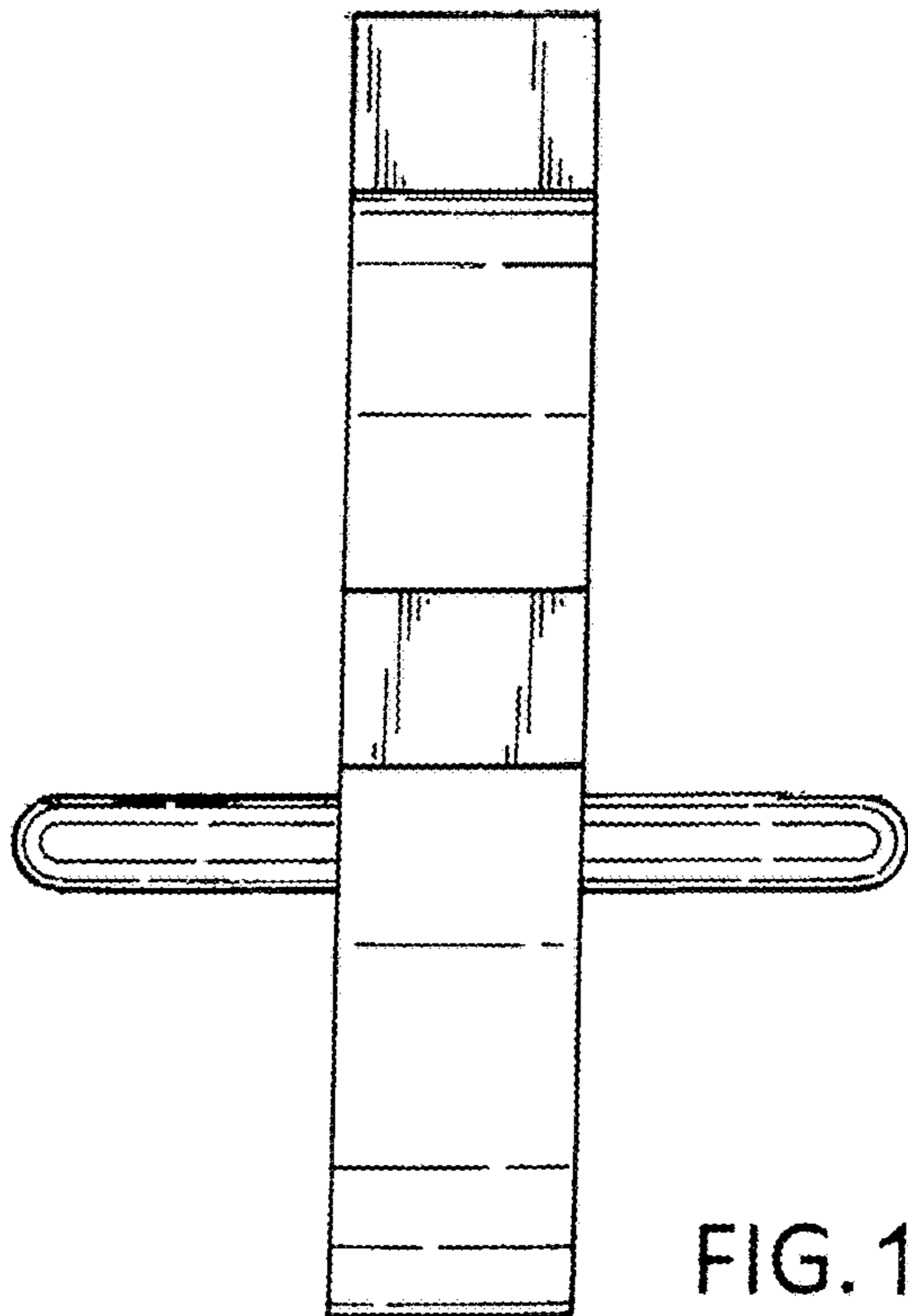


FIG. 19

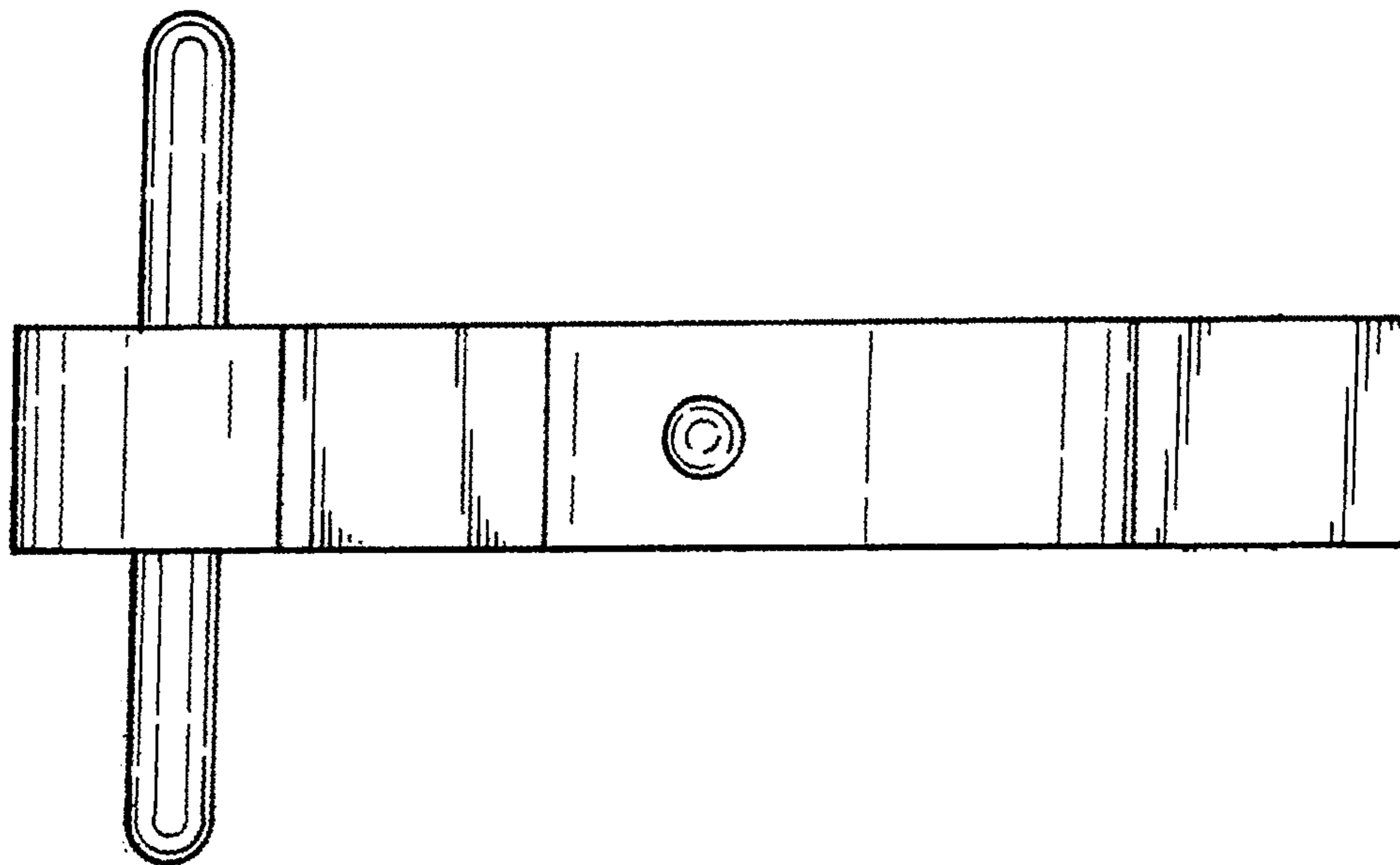


FIG. 20

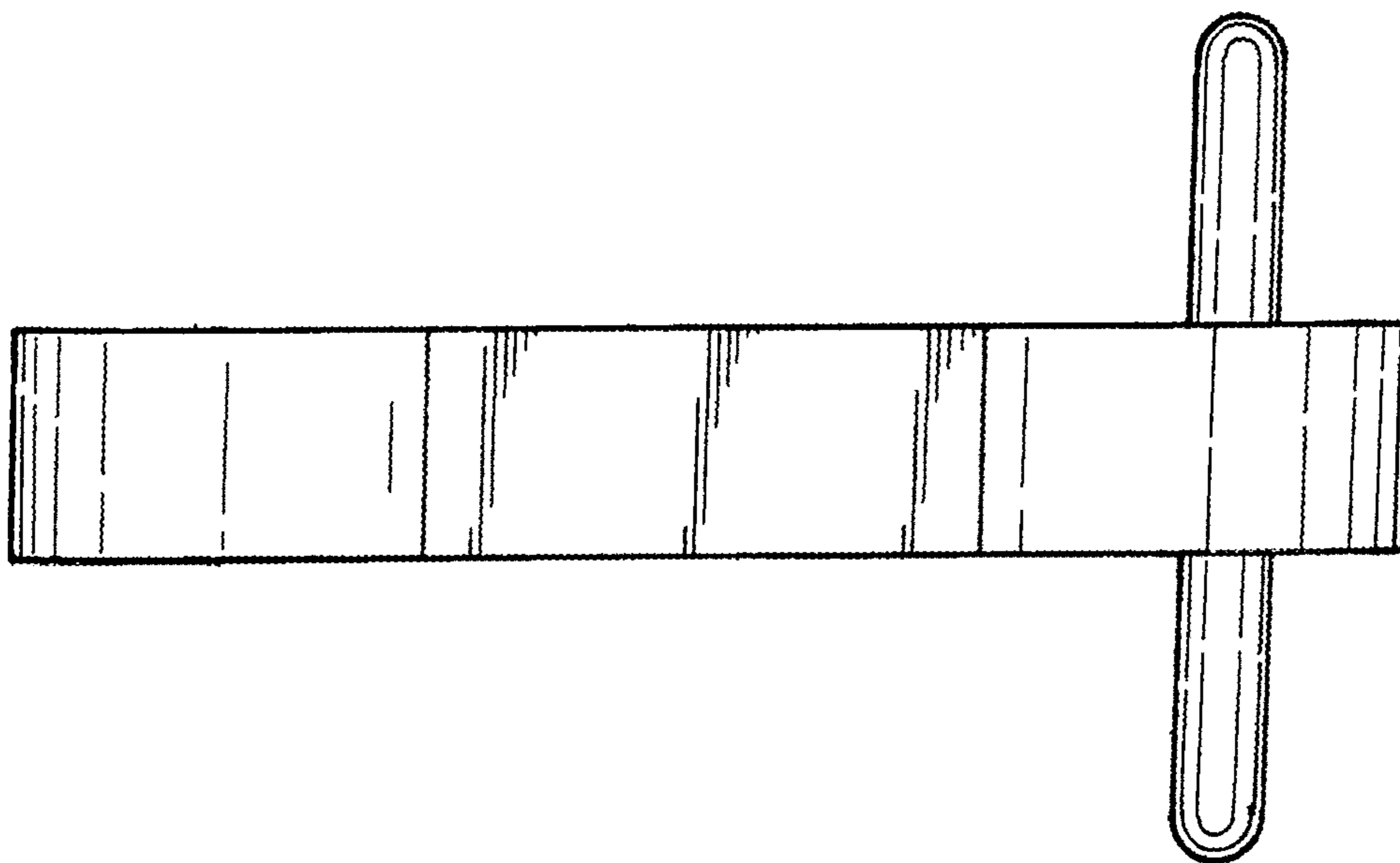


FIG. 21

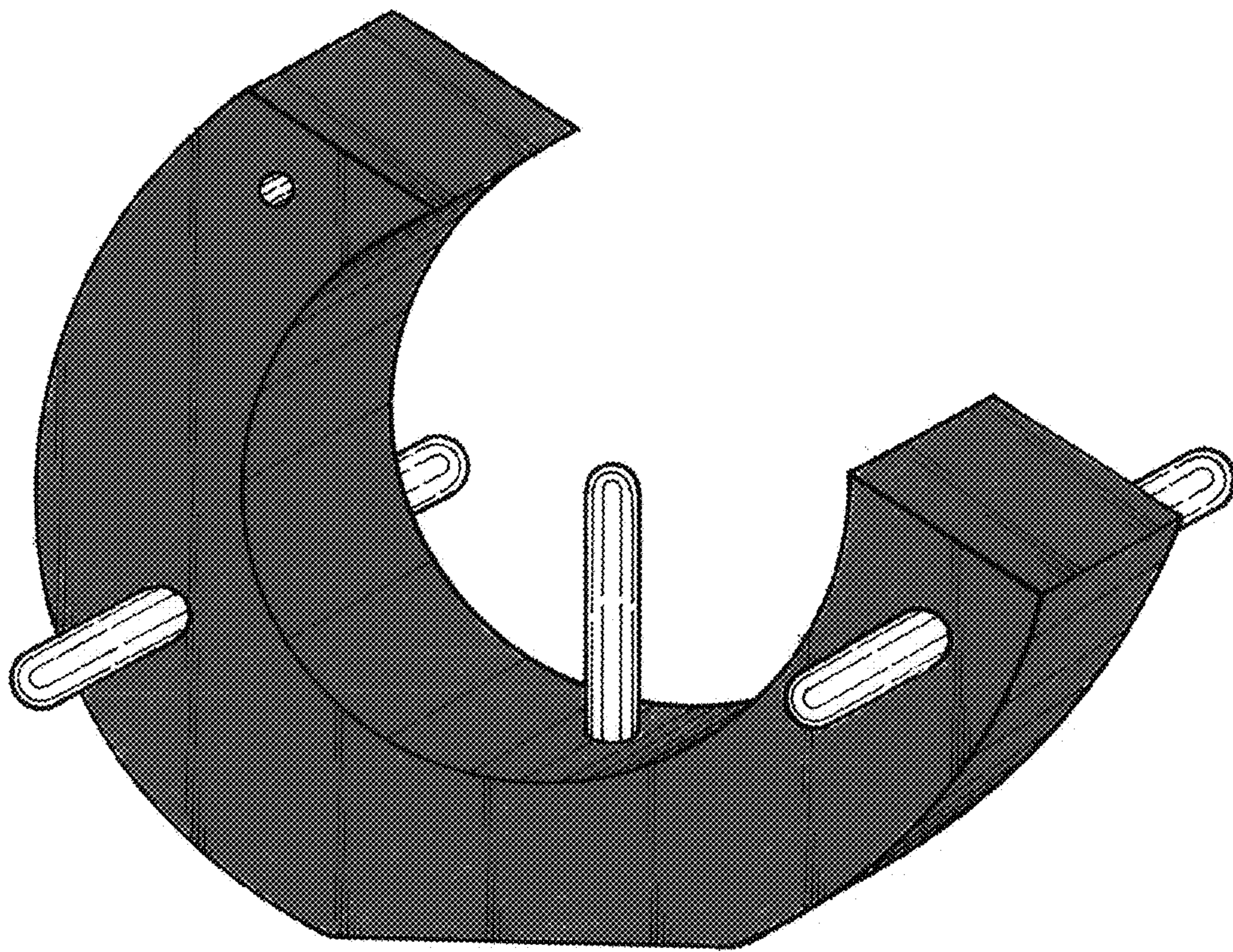


FIG. 22

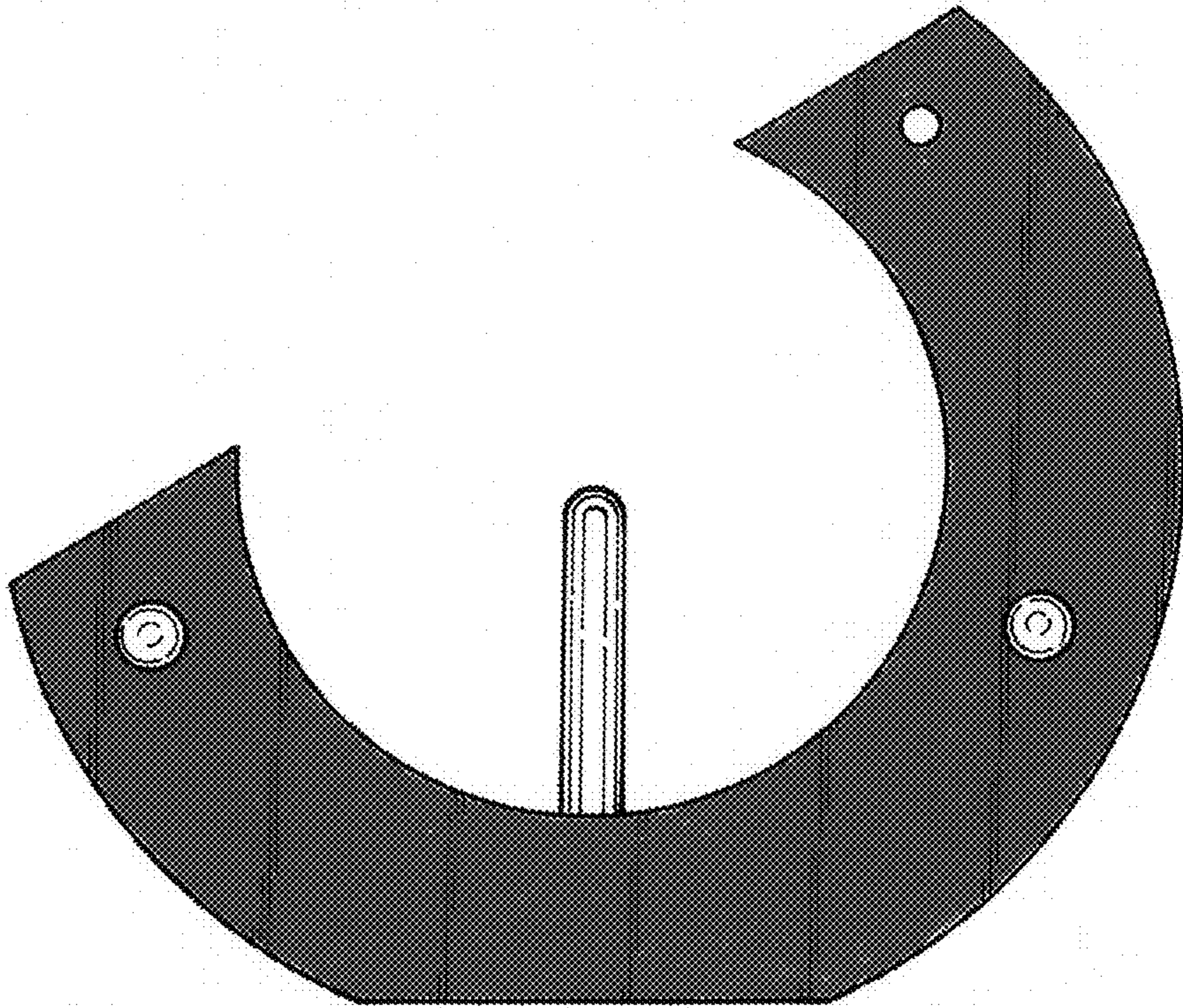


FIG. 23

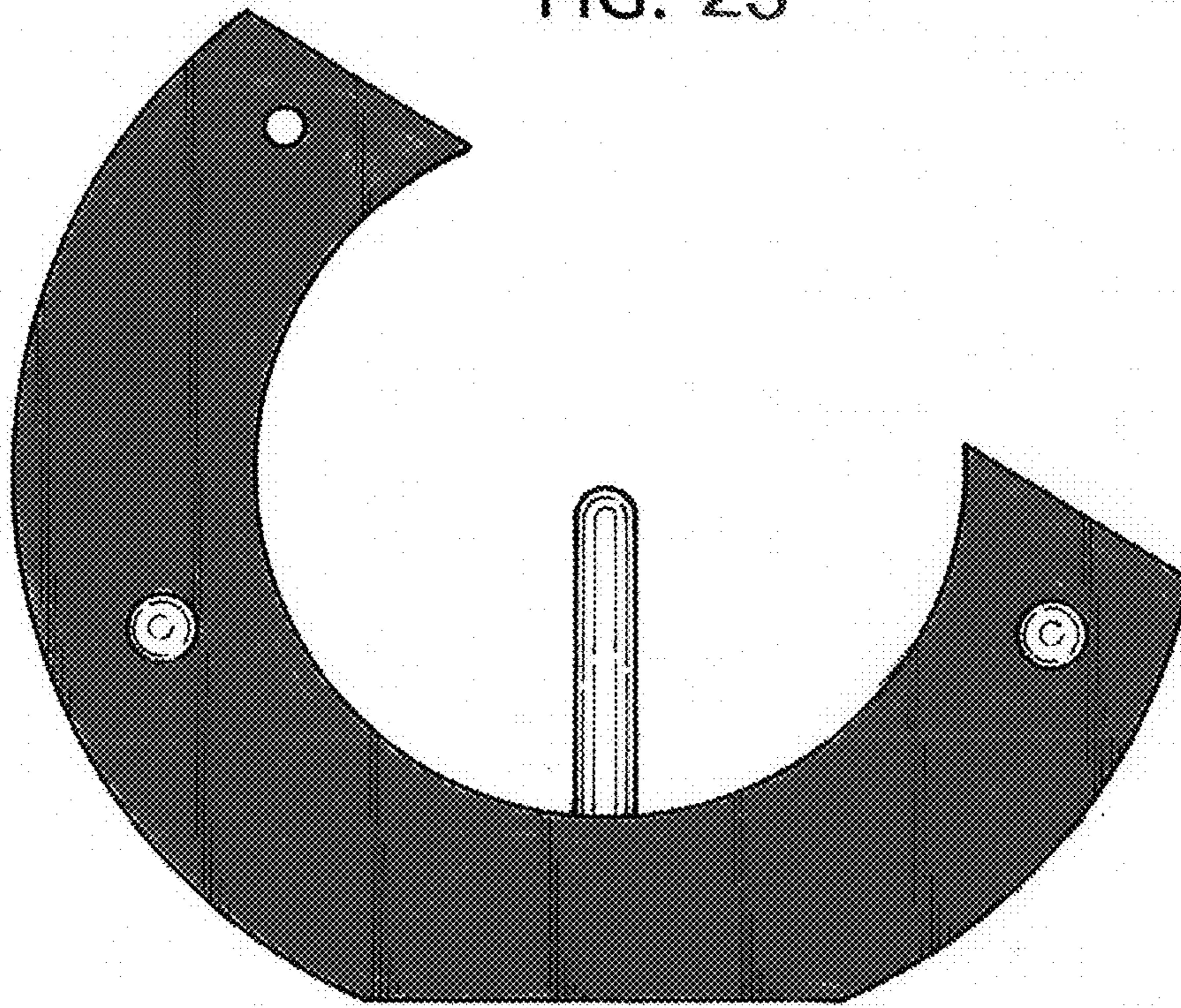


FIG. 24

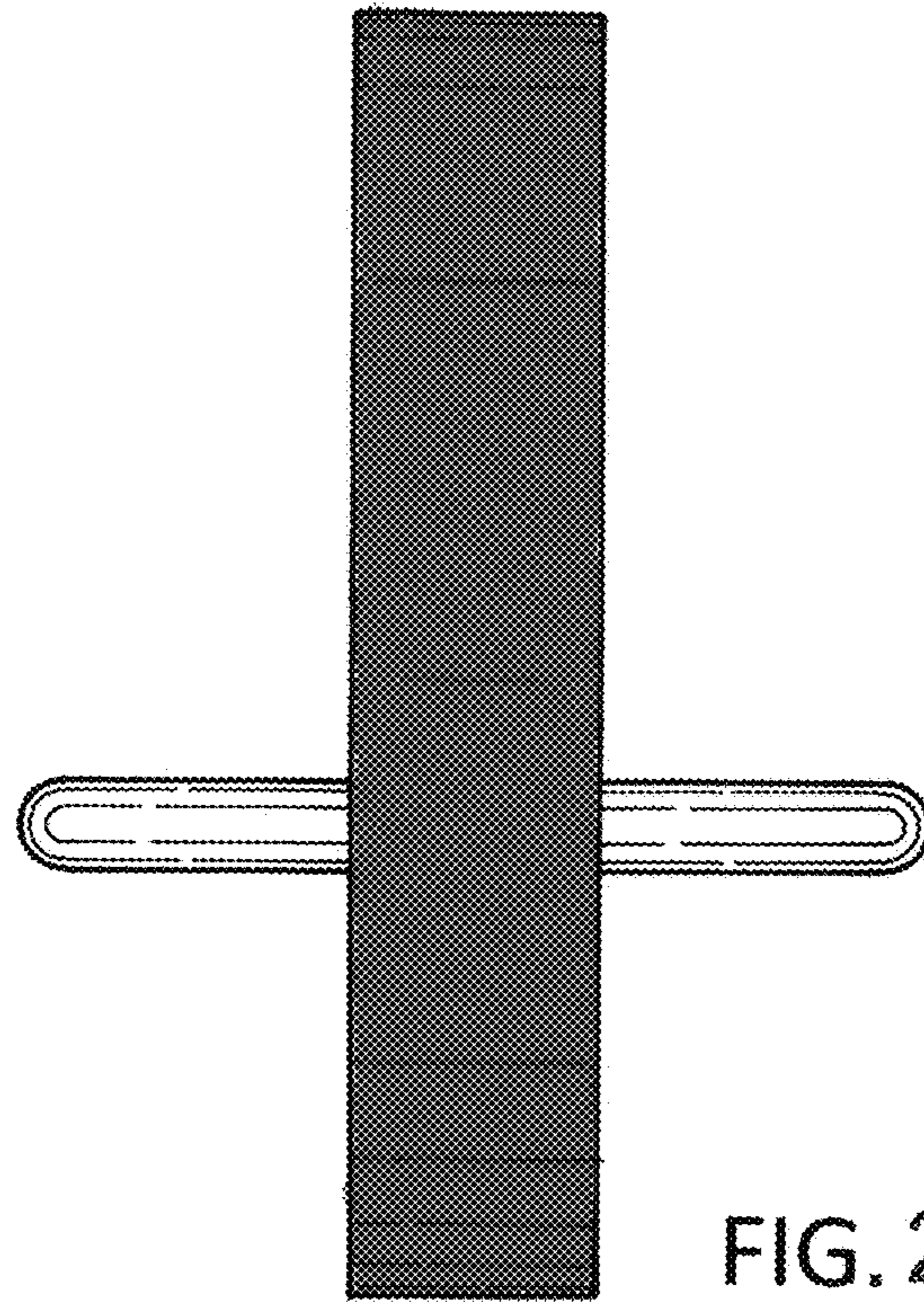


FIG. 25

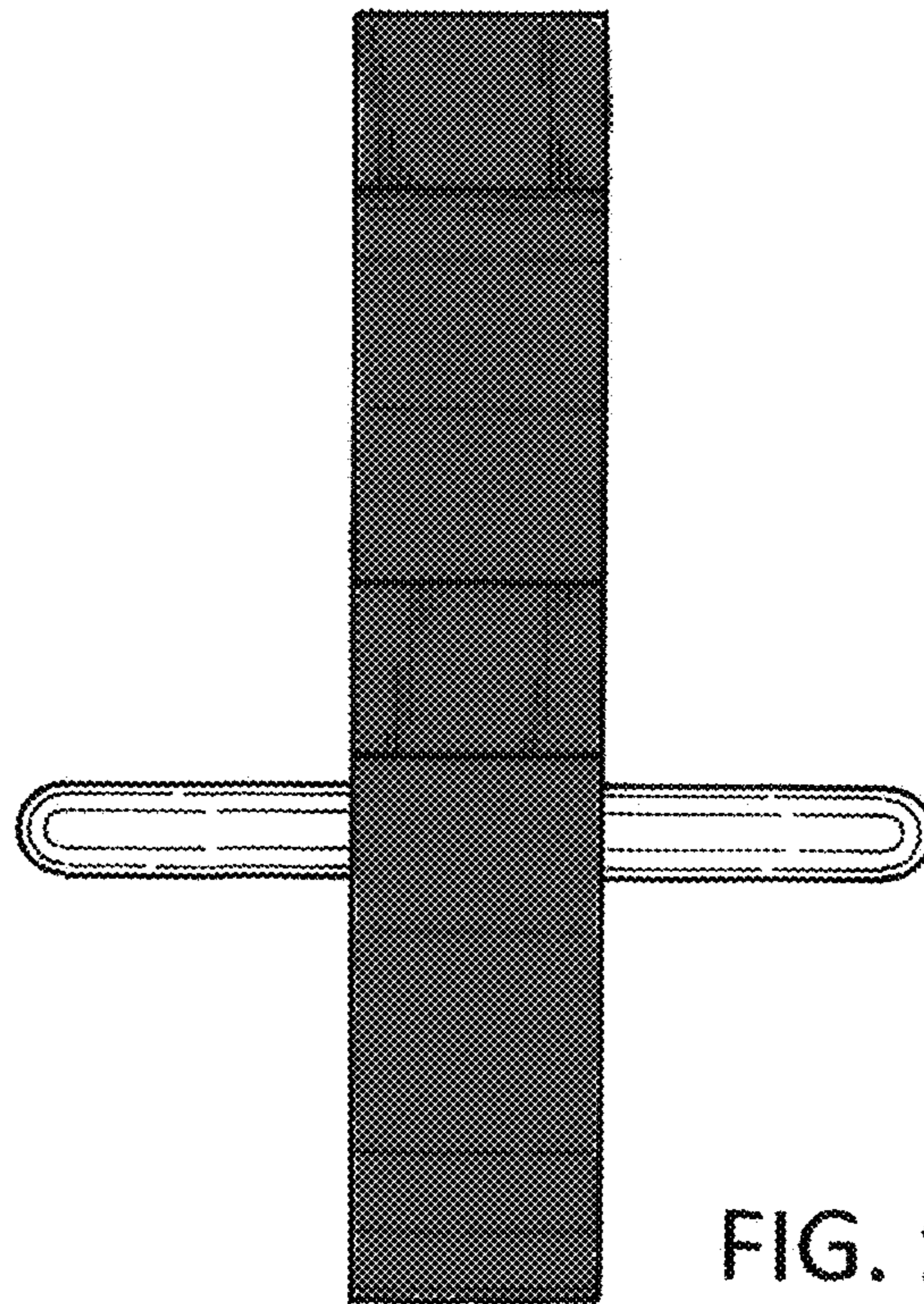


FIG. 26

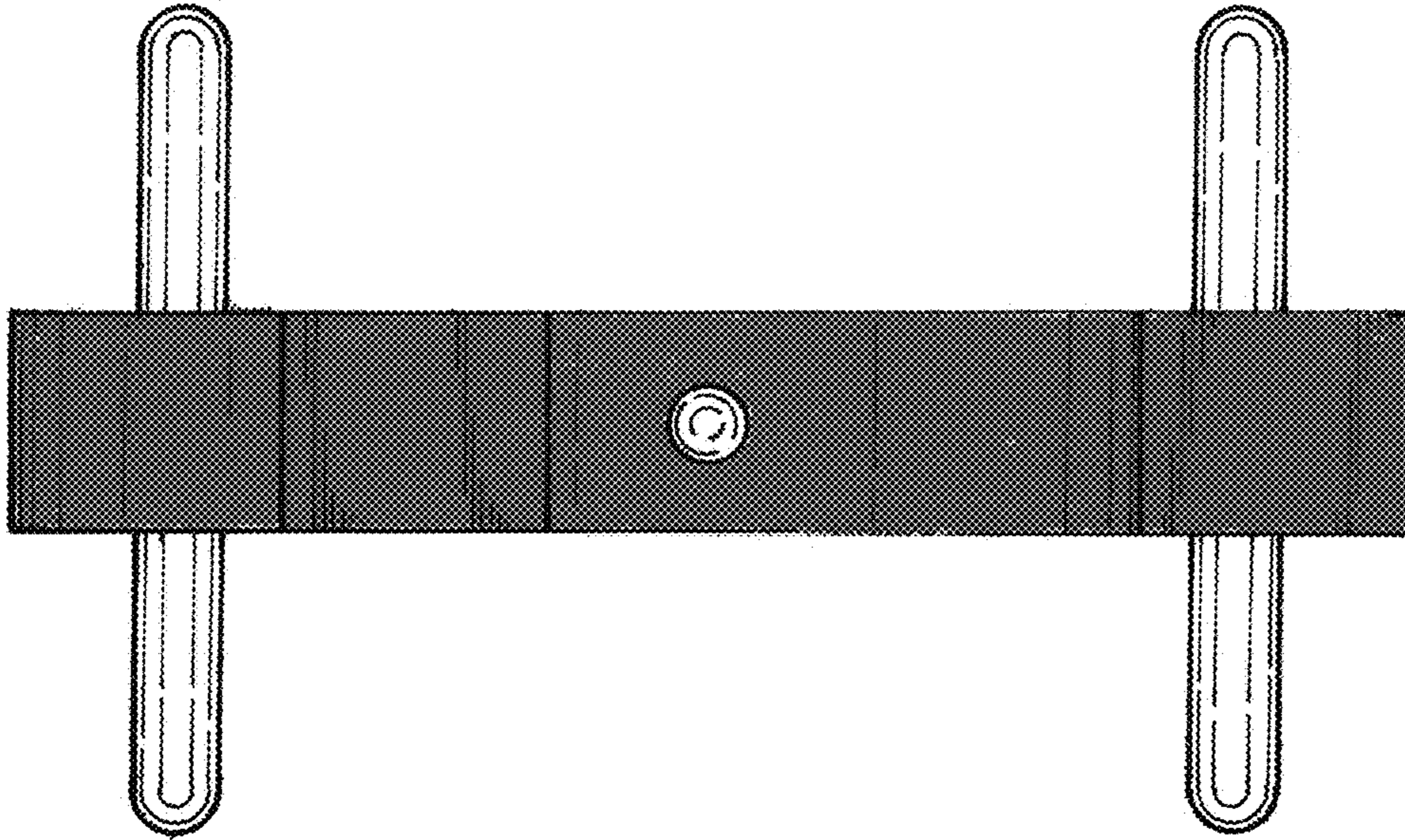


FIG. 27

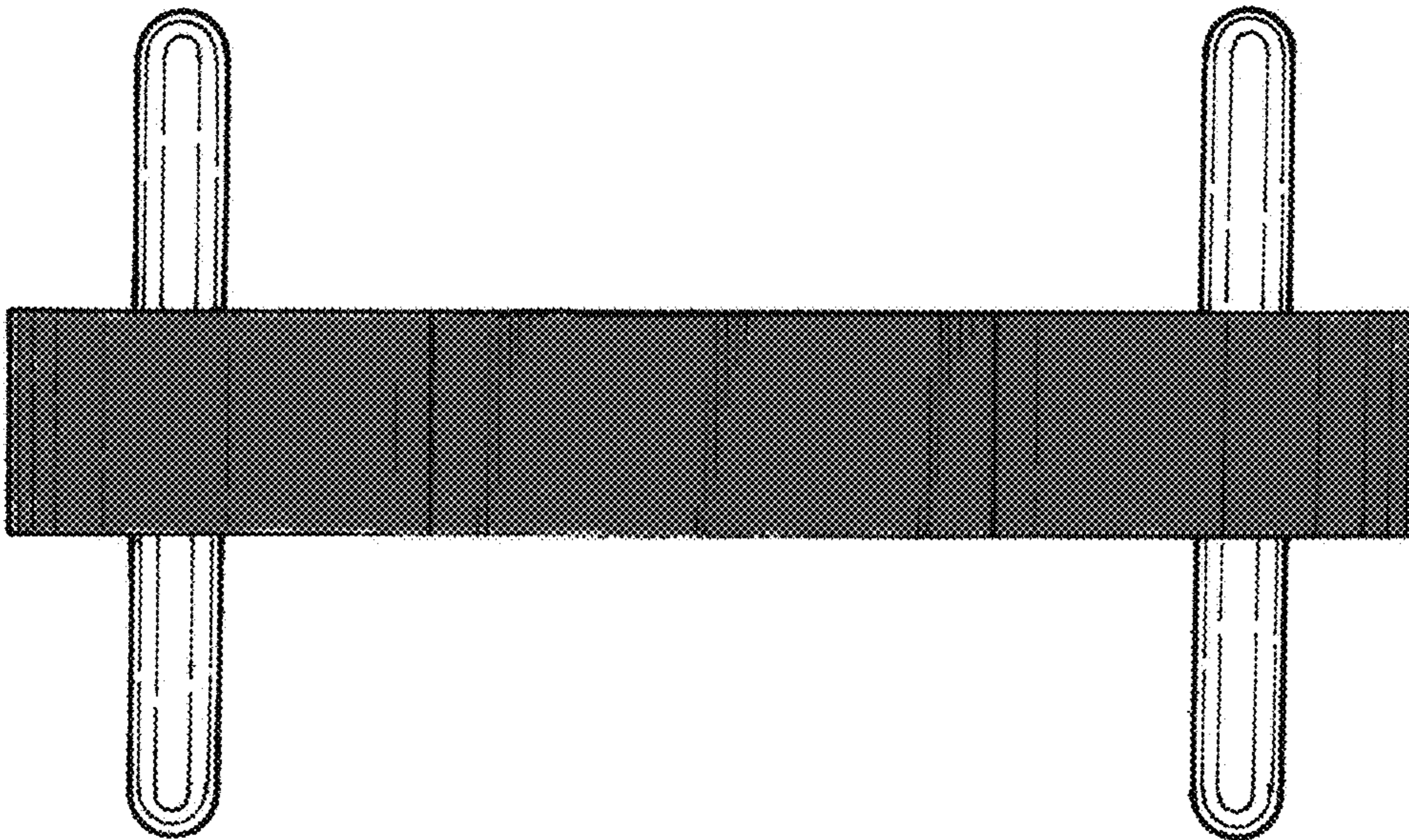


FIG. 28