



US00D824602S

(12) **United States Design Patent**
Danenberg et al.

(10) **Patent No.:** **US D824,602 S**
(45) **Date of Patent:** **** Jul. 31, 2018**

(54) **ANIMAL FEED TUB AND COVER**

FOREIGN PATENT DOCUMENTS

(71) Applicant: **PURINA ANIMAL NUTRITION LLC**, Shoreview, MN (US)

JP 2007191221 A 8/2007
JP 20138006607 A 1/2013
WO 03013232 A1 2/2003

(72) Inventors: **Benjamin R. Danenberg**, White Bear Lake, MN (US); **Michael J. Gabriel**, Inver Grove Heights, MN (US); **Michael S. Burr**, Marthasville, MO (US)

OTHER PUBLICATIONS

Completed Extended European Search Report dated Apr. 25, 2017 for European Application No. 16181967.7.

(Continued)

(73) Assignee: **PURINA ANIMAL NUTRITION LLC**, Shoreview, MN (US)

Primary Examiner — Susan Moon Lee

(74) *Attorney, Agent, or Firm* — Dorsey & Whitney LLP

(**) Term: **15 Years**

(57) **CLAIM**

The ornamental design for an animal feed tub and cover, as shown and described.

(21) Appl. No.: **29/534,874**

DESCRIPTION

(22) Filed: **Jul. 31, 2015**

(51) **LOC (11) Cl.** **30-03**

(52) **U.S. Cl.**
USPC **D30/121**; D30/133; D30/129

(58) **Field of Classification Search**
USPC D30/121, 129–133, 199, 104–107;
119/51.01, 61, 51.04, 53, 57.91, 54, 53.5,
119/52.4, 51.11, 63, 61.2, 52.1, 57.5,
119/57.6, 51.13, 62, 75, 500, 501, 521,
119/57.92, 59, 51.12, 57.1, 56.1, 57;
D9/436, 444, 447, 435, 452, 445, 454,
D9/434, 453, 448, 438, 423–430,
(Continued)

This application relates to a design patent application filed concurrently herewith having the title “Animal Feed Tub and Cover,” and U.S. Ser. No. 29/534,880 filed Jul. 31, 2015, the content of which is incorporated by reference herein in its entirety. This application relates to a non-provisional patent application filed concurrently herewith having the title “Animal Feed Covers and Systems and Methods for their Production and Use,” and U.S. Ser. No. 14/815,488 filed Jul. 31, 2015, the content of which is incorporated by reference herein in its entirety.

FIG. 1 is an isometric view of an animal feed tub and cover showing the new design;

FIG. 2 is a top view thereof;

FIG. 3 is a bottom view thereof;

FIG. 4 is a first side view thereof;

FIG. 5 is a second side view thereof; and,

FIG. 6 is a cross-sectional view of the animal feed tub and cover taken from line 6-6 of FIG. 5.

The broken lines depict unclaimed features of the animal feed tub and cover, shown for purposes of illustration, and form no part of the claimed design.

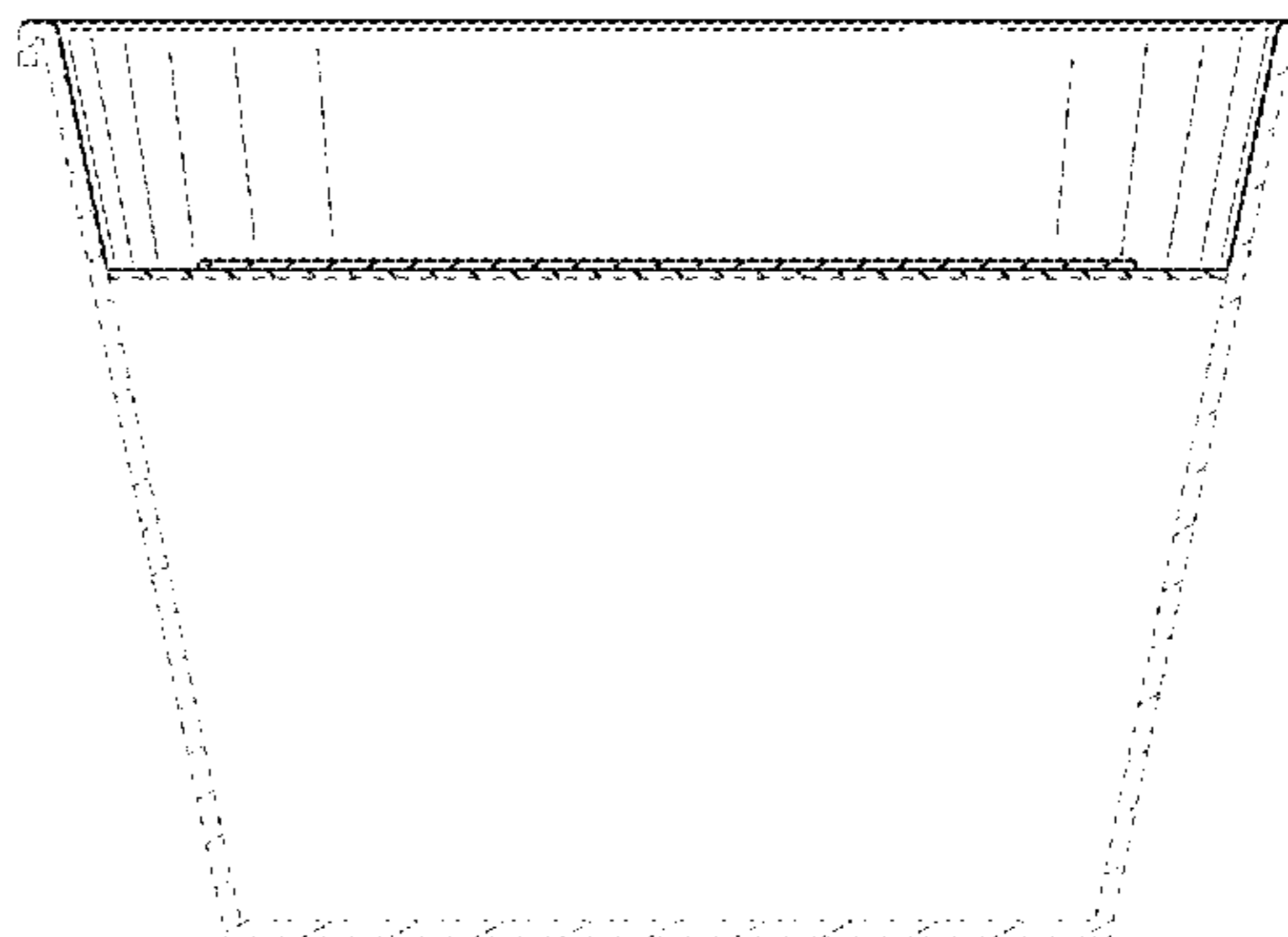
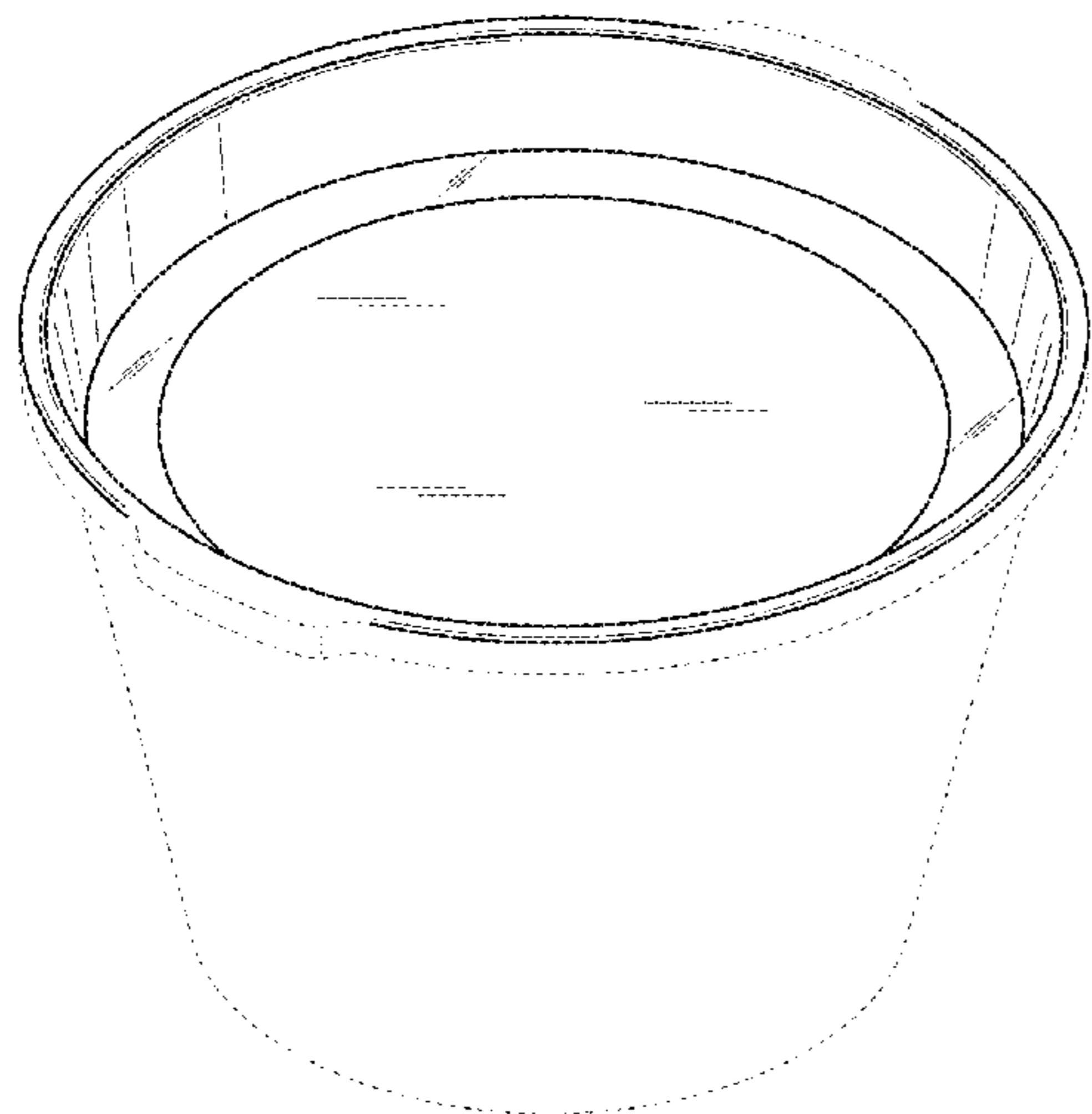
(56) **References Cited**

U.S. PATENT DOCUMENTS

216,831 A * 6/1879 Collins 220/4.21
412,134 A * 10/1889 Spencer B65D 43/022
220/801

(Continued)

1 Claim, 6 Drawing Sheets



US D824,602 S

(58) **Field of Classification Search**

USPC D9/414-418, 500-505, 516-521, 549,
 D9/558, 530, 715, 716, 724, 529, 538;
 D7/400, 507-511, 523, 601-608, 612,
 D7/615, 629, 630, 538-542; 4/585;
 D23/261, 260, 304, 308; D32/53, 53.1,
 D32/54; 222/520, 521, 212; 206/541,
 206/216, 518, 557, 139, 144, 146, 192,
 206/205, 217, 223, 542, 543, 544, 545,
 206/547, 242, 1.7, 427, 446, 493, 499,
 206/501, 503-508, 514, 515, 519, 520,
 206/558, 560, 563, 564, 567, 524.1,
 206/524.3, 524.4, 524.6, 524.8, 525, 527,
 206/804, 813, 820, 821, 822, 823;
 229/406, 407, 902-904, 938, 87.08;
 D11/152; 426/106; 15/260-264;
 215/200, 260, 261; 220/674, 675, 556,
 220/699, 4.23, 755, 760, 764, 780-806,
 220/200, 716, 258.2, 257.1, 574-575,
 220/578-580, 495.01, 485.02, 23.83,
 220/23.86, 23.87, 23.88, 23.89, 500-507,
 220/528, 526, 212, 212.5, 216, 254.1,
 220/255, 287, 309.1, 360, 376-380,
 220/62.11-62.15, 639, 694, 696,
 220/700-703, 711, 719, 730, 731,
 220/737-742, 744, 890

CPC A01K 5/0225; A01K 5/00; A01K 5/02;
 A01K 5/01; A01K 5/0291; A01K 5/0266;
 A01K 5/0275; A01K 5/0283; A01K
 39/00; A01K 39/01; A01K 39/0113;
 A01K 39/012; A01K 39/0125; A01K
 39/014; B65D 1/12-1/16; B65D 1/00;
 B65D 1/26; B65D 1/265; B65D 11/00;
 B65D 11/06; B65D 21/00; B65D 21/02;
 B65D 21/0209; B65D 21/0233; B65D
 21/022; B65D 21/0234; B65D 25/00;
 B65D 25/34; B65D 23/00; B65D 37/00;
 B65D 43/00; B65D 43/02; B65D 43/08;
 B65D 65/02; B65D 69/00; B65D
 81/3205; B65D 81/00; B65D 88/00;
 B65D 88/02; B65D 88/025; B65D
 88/126; B65D 90/00; B65D 90/004;
 B65D 90/0046; B65D 2251/00; B65D
 2501/24859; B65D 2501/00; B65D
 2501/0009; B65D 2543/0009; B65D
 2543/00027; B65D 2543/00092; B65D
 2543/00342; B65D 2543/00444; B65D
 2543/00981; B65D 2590/0066; B65D
 85/804-85/8046

See application file for complete search history.

(56) **References Cited**

U.S. PATENT DOCUMENTS

D28,413 S * 3/1898 Taite D9/504
 656,825 A * 8/1900 McIntyre B65D 5/566
 229/122.32
 D35,475 S * 12/1901 Springer D7/550.1
 868,850 A * 10/1907 Eckart 220/798
 1,214,899 A * 2/1917 Curran 220/23.2
 D54,898 S * 4/1920 Churchill D7/545
 1,343,013 A 6/1920 Taliaferro
 1,555,529 A 9/1925 Taylor
 2,141,833 A 12/1938 Young
 D113,332 S * 2/1939 Piluso D9/453
 2,281,649 A * 5/1942 Williams B65D 41/16
 215/321

2,464,131 A * 3/1949 Guyer B65D 3/22
 229/4.5
 2,501,799 A * 3/1950 Vredenburg A21B 3/13
 126/385.1
 2,630,237 A * 3/1953 Rosenlof B65D 41/225
 220/694
 2,654,468 A * 10/1953 Verde B65D 81/051
 206/18
 2,886,320 A * 5/1959 Van Hennik A63B 65/122
 124/5
 2,935,108 A * 5/1960 Hall B65D 43/0212
 220/324
 D193,219 S * 7/1962 Burdick et al. D9/780
 D193,363 S * 8/1962 Foss et al. D21/390
 3,061,139 A * 10/1962 Edwards B65D 21/0219
 220/203.09
 3,067,867 A * 12/1962 Bonham B65D 51/28
 206/205
 3,122,264 A * 2/1964 Davis B65D 43/0208
 206/515
 3,128,029 A * 4/1964 Price B65D 1/265
 220/DIG. 14
 D198,512 S * 6/1964 Burdick et al. D9/772
 3,162,882 A * 12/1964 Womer A47L 23/08
 134/58 R
 3,217,964 A * 11/1965 Stegner B65D 3/12
 229/125.17
 3,230,093 A 1/1966 Albertus
 D203,629 S * 2/1966 Brock D9/454
 3,233,815 A 2/1966 Eggen
 3,329,305 A * 7/1967 Crisci B65D 43/0212
 220/781
 3,421,681 A * 1/1969 Frank B65D 43/0268
 215/254
 3,434,588 A * 3/1969 Kirkpatrick B65D 25/14
 206/1.9
 3,445,973 A * 5/1969 Stone E03F 5/0407
 210/163
 D216,217 S * 12/1969 Jacobsen D7/391
 D219,748 S * 1/1971 Bixler D7/554.1
 3,598,271 A * 8/1971 Holley B65D 21/0219
 206/509
 3,613,938 A * 10/1971 Westcott B65D 21/0233
 220/366.1
 3,627,121 A * 12/1971 Deasy B65D 71/50
 206/151
 3,743,133 A * 7/1973 Rathbun B65D 43/021
 220/380
 3,784,002 A * 1/1974 Owen B65D 71/50
 206/158
 D232,511 S * 8/1974 Heiser et al. D7/391
 D233,999 S * 12/1974 Potter D21/443
 3,902,540 A * 9/1975 Commisso B65D 43/0212
 206/518
 3,913,785 A * 10/1975 Pattershall B44D 3/127
 206/508
 3,938,726 A * 2/1976 Holden, Jr. B65D 11/02
 229/103.11
 3,980,200 A 9/1976 Klein
 D241,917 S * 10/1976 Borum D9/452
 4,015,945 A * 4/1977 Frankel A61B 17/8833
 141/65
 D244,353 S * 5/1977 Skjelby D7/615
 4,040,625 A * 8/1977 Malafronte A63B 65/10
 273/336
 D249,935 S * 10/1978 Williams D9/454
 4,182,073 A * 1/1980 Tabet A63H 33/18
 446/46
 D256,756 S * 9/1980 Painter D7/584
 4,266,689 A * 5/1981 Asher B65D 15/08
 220/789
 D259,705 S * 6/1981 Bagwell D9/454
 D264,690 S * 6/1982 Bagwell D9/438
 D265,061 S * 6/1982 Tricinella D7/391
 D265,176 S * 6/1982 Bock D34/39
 D266,906 S * 11/1982 Guerette D9/453

(56)

References Cited

U.S. PATENT DOCUMENTS

- 4,360,118 A * 11/1982 Stern B65D 1/34
206/545
- 4,363,420 A * 12/1982 Andrews B62D 25/24
220/359.4
- D269,597 S * 7/1983 Harries D9/454
- D270,513 S * 9/1983 Wallsten D7/400
- 4,431,675 A 2/1984 Schroeder
- D277,646 S * 2/1985 Jorgensen D9/454
- D280,484 S * 9/1985 Conti D7/391
- 4,542,029 A 9/1985 Caner et al.
- 4,562,937 A * 1/1986 Iyengar B65D 43/021
220/791
- D282,616 S * 2/1986 Gallagher D7/392.1
- D286,026 S * 10/1986 Rayner D9/435
- D286,028 S * 10/1986 DiFede D9/435
- 4,620,642 A * 11/1986 Wertz B65D 43/021
220/377
- D287,208 S * 12/1986 Daenen D7/392.1
- D291,183 S * 8/1987 Messenger D9/454
- 4,687,117 A * 8/1987 Terauds B65D 43/0212
220/781
- D291,970 S * 9/1987 Downing 215/228
- D292,380 S * 10/1987 Smith D9/435
- D292,472 S * 10/1987 Oh D7/354
- 4,705,172 A * 11/1987 Gage B65D 43/0212
206/519
- 4,716,855 A * 1/1988 Andersson A01K 5/0114
119/61.54
- D294,322 S * 2/1988 Weernink D7/505
- D297,297 S * 8/1988 Lacey D7/354
- 4,795,056 A * 1/1989 Meyers B65D 50/045
215/321
- 4,803,085 A 2/1989 Findley
- 4,842,875 A * 6/1989 Anderson A23B 7/148
426/106
- 4,858,590 A * 8/1989 Bailey A47J 36/02
126/39 H
- D303,633 S * 9/1989 Terauds D9/424
- 4,933,193 A 6/1990 Fisher
- D309,564 S * 7/1990 Rayner D9/435
- 4,949,678 A * 8/1990 Demko A01K 5/0121
119/52.1
- D311,140 S * 10/1990 Nelson D9/454
- D319,014 S * 8/1991 Di Nuccio D9/435
- 5,059,319 A * 10/1991 Welsh B01D 29/01
210/232
- D326,121 S * 5/1992 Asner D21/443
- D326,982 S * 6/1992 Schreder D7/407
- D327,808 S * 7/1992 Kline D7/391
- D329,572 S * 9/1992 Krupa D32/53
- D334,710 S * 4/1993 Picozza D9/435
- 5,209,184 A * 5/1993 Sharkan A01K 5/0114
119/61.56
- D336,596 S * 6/1993 Osgood D7/542
- D342,897 S * 1/1994 Cochran D9/435
- D351,263 S * 10/1994 Evans D30/129
- 5,351,967 A * 10/1994 Yang A63B 65/10
273/142 R
- D352,209 S * 11/1994 Cousins D7/612
- D352,210 S * 11/1994 Cousins D7/612
- D352,896 S * 11/1994 Jones D9/503
- D354,227 S * 1/1995 Adami D9/752
- 5,379,885 A * 1/1995 Chen B25H 3/04
206/216
- D355,735 S * 2/1995 Shaffer D32/53
- 5,409,126 A * 4/1995 DeMars B65D 21/0219
206/499
- 5,409,128 A * 4/1995 Mitchell B65D 21/022
206/508
- D358,311 S * 5/1995 Sarnoff D8/34
- D358,531 S * 5/1995 Cousins D7/612
- 5,427,266 A * 6/1995 Yun B65D 25/54
116/200
- D366,418 S * 1/1996 Lown D9/449
- 5,480,334 A * 1/1996 Wilson A63H 33/18
446/46
- D371,963 S * 7/1996 Ahern, Jr. D7/602
- 5,562,205 A * 10/1996 Diaz B65D 71/50
206/151
- D376,952 S * 12/1996 Rausch D7/391
- D376,960 S * 12/1996 Ferris D7/538
- D377,647 S * 1/1997 Fekete D14/436
- 5,630,742 A * 5/1997 Honaker A63H 33/18
446/46
- D379,901 S * 6/1997 Lillelund D7/505
- D393,592 S * 4/1998 Robinson D9/435
- 5,758,793 A * 6/1998 Forsyth B65D 43/021
215/256
- D397,611 S * 9/1998 Robinson D9/435
- D400,787 S * 11/1998 Keener D9/504
- D402,159 S * 12/1998 Laib D7/317
- 5,853,311 A * 12/1998 Bartholomew A63H 33/18
446/48
- D404,247 S * 1/1999 Spagnolo D7/378
- 5,875,913 A * 3/1999 Letica B65D 25/2852
220/269
- D411,714 S * 6/1999 Wilson D7/629
- D412,538 S * 8/1999 Reidinger D21/390
- 5,984,130 A * 11/1999 Hayes B65D 1/34
206/508
- D417,817 S * 12/1999 Loew D7/392.1
- D426,772 S * 6/2000 Kahl D9/449
- D432,858 S * 10/2000 Hayes D7/392.1
- 6,158,607 A * 12/2000 Wallberg B65D 43/0218
220/212
- 6,168,044 B1 * 1/2001 Zettle B65D 43/0208
220/784
- 6,234,111 B1 * 5/2001 Ulman A01K 1/031
119/51.02
- D445,641 S * 7/2001 Conti D7/392.1
- D445,649 S * 7/2001 Maxwell D7/629
- D445,650 S * 7/2001 Maxwell D7/629
- D445,687 S * 7/2001 Gilbertson D7/392.1
- D447,053 S * 8/2001 Chagnon D9/428
- D448,969 S * 10/2001 Conti D7/392.1
- D448,991 S * 10/2001 Zettle D9/423
- D455,043 S * 4/2002 Brady D7/391
- 6,468,123 B1 * 10/2002 Valencia A63H 33/18
446/48
- D468,202 S * 1/2003 Chou D9/425
- 6,511,688 B2 1/2003 Edwards et al.
- D470,768 S * 2/2003 Melhede D9/428
- D472,145 S * 3/2003 Nottingham D9/443
- D475,571 S * 6/2003 Hopkins D7/359
- D475,573 S * 6/2003 Jalet D7/392.1
- D475,897 S * 6/2003 Zettle D7/538
- D476,861 S * 7/2003 Zettle D7/538
- 6,588,618 B1 * 7/2003 Davis B44D 3/127
220/254.7
- D478,469 S * 8/2003 Roth F25D 3/08
D7/392.1
- D479,806 S * 9/2003 Nilsson D10/46.2
- D480,264 S * 10/2003 de Groote D7/392.1
- D480,304 S * 10/2003 Stodd D9/434
- D485,179 S * 1/2004 Kouri D9/435
- D486,735 S * 2/2004 DeBiasse D9/444
- D488,031 S * 4/2004 Kim D7/629
- D490,313 S * 5/2004 DeBiasse D9/435
- D493,929 S * 8/2004 Schwarz D32/53
- D494,474 S * 8/2004 Houk D27/190
- 6,777,019 B1 8/2004 Thornberg
- D495,600 S * 9/2004 Kouri D9/435
- D496,556 S * 9/2004 Skrocki D7/391
- 6,789,393 B2 * 9/2004 Dais B65D 43/021
62/112
- D497,548 S * 10/2004 Nordland D9/425
- D500,430 S * 1/2005 Walton D7/554.2
- 6,837,776 B2 * 1/2005 Shimobeppu B24B 37/30
451/287
- D505,325 S * 5/2005 DeBiasse D9/444
- D507,155 S * 7/2005 Gosen D7/629

(56)

References Cited

U.S. PATENT DOCUMENTS

D509,099 S *	9/2005	Haugen	D7/354	D717,200 S *	11/2014	Thuma	D11/152
D509,402 S *	9/2005	Ferrer	D7/360	D717,201 S *	11/2014	Thuma	D11/152
D512,636 S *	12/2005	Pace	D9/504	8,915,391 B2 *	12/2014	Radow	A47G 19/00 108/139
D514,442 S *	2/2006	Lowe	D7/505	D722,833 S *	2/2015	Miller	D32/53
D515,928 S *	2/2006	Pace	D9/504	D727,148 S *	4/2015	Humm	D9/449
D519,327 S *	4/2006	Tucker	D7/629	D728,314 S *	5/2015	Carstensen	D7/510
D521,381 S *	5/2006	Hicks	D9/449	D728,865 S *	5/2015	Tsengas	D30/129
D521,382 S *	5/2006	Gross	D9/452	D729,989 S *	5/2015	Krueger	D30/124
D534,807 S *	1/2007	Smay	D9/503	D731,239 S *	6/2015	Rothfield	D7/392.1
7,217,169 B1 *	5/2007	Anderson	A63H 33/18 446/46	9,051,095 B2 *	6/2015	Antal, Sr.	B65D 43/0212
D545,117 S *	6/2007	Chiang	D7/368	D734,980 S *	7/2015	Lipinski	D7/391
D549,050 S *	8/2007	Spencer	D7/538	D736,621 S *	8/2015	Ivancic	D9/436
D554,368 S *	11/2007	O'Hara	D3/203.1	D737,678 S *	9/2015	Danenberg	D9/428
D564,356 S *	3/2008	Nickleberry	D9/454	D739,233 S *	9/2015	Antal, Sr.	D9/435
D571,832 S *	6/2008	Ota	D15/138	D740,953 S *	10/2015	Spears	D24/201
7,387,082 B1 *	6/2008	Fried	A01K 5/0114 119/61.5	D743,636 S *	11/2015	Krueger	D22/122
D573,794 S *	7/2008	Izen	D3/302	RE45,837 E *	1/2016	Krueger	D30/124
D575,112 S *	8/2008	Since	D7/552.2	D746,626 S *	1/2016	Lagsdin	D7/354
D587,521 S *	3/2009	ThurLOW	D7/391	D746,682 S *	1/2016	Trombetta	D9/454
D587,568 S *	3/2009	Shields	D9/425	D749,890 S *	2/2016	Person	D7/354
D598,238 S *	8/2009	Durdon	D7/354	D750,314 S *	2/2016	Hobson	D26/118
D600,861 S *	9/2009	Sin	D30/129	9,265,287 B2 *	2/2016	Sims	A24F 23/00
D600,862 S *	9/2009	Sin	D30/129	D751,380 S *	3/2016	Torrison	D9/416
D601,309 S *	9/2009	Babal	D30/129	D751,381 S *	3/2016	Torrison	D9/416
D605,501 S *	12/2009	Pham	D9/425	D751,382 S *	3/2016	Torrison	D9/416
D615,809 S *	5/2010	Heiberg	D7/378	D751,383 S *	3/2016	Torrison	D9/416
D618,512 S *	6/2010	Kimmel	D7/554.2	D751,384 S *	3/2016	Torrison	D9/416
D623,519 S *	9/2010	Richardson	D9/454	D751,391 S *	3/2016	Wu	D7/392.1
D625,190 S *	10/2010	Pontes	D9/444	D751,392 S *	3/2016	Wu	D7/392.1
D627,225 S *	11/2010	Gonzalez Sanchez	D9/449	D756,790 S *	5/2016	Henriksson	D9/504
D627,226 S *	11/2010	Gonzalez Sanchez	D9/449	D757,357 S *	5/2016	Helfrich	D27/167
D627,643 S *	11/2010	Gonzalez Sanchez	D9/449	D759,425 S *	6/2016	Castriota	D7/354
D627,644 S *	11/2010	Gonzalez Sanchez	D9/449	9,387,961 B2 *	7/2016	Mithal	B65D 43/0212
D628,069 S *	11/2010	Gonzalez Sanchez	D9/449	D767,329 S *	9/2016	Mock	D7/392.1
D628,854 S *	12/2010	Brattoli	D7/407	9,446,889 B2 *	9/2016	Lopes	B65D 25/14
D628,894 S *	12/2010	Pontes	D9/454	D770,862 S *	11/2016	Subotic	D7/610
D631,744 S *	2/2011	Golota	D9/435	D773,933 S *	12/2016	Benyavskiy	D9/454
D634,618 S *	3/2011	Colacitti	D7/354	D774,597 S *	12/2016	Lowery	D21/336
D635,027 S *	3/2011	Gonzalez Sanchez	D9/449	D774,887 S *	12/2016	Torrison	D9/416
D635,394 S *	4/2011	Brattoli	D7/367	9,585,476 B2 *	3/2017	Swisher	B25H 1/00
D635,819 S *	4/2011	Molayem	D7/354	D786,679 S *	5/2017	Barroso Miana	D9/504
D641,209 S *	7/2011	Ablo	D7/392.1	D787,936 S *	5/2017	Anthony	D9/435
D642,057 S *	7/2011	Reed	D9/453	D788,380 S *	5/2017	Krueger	D22/122
D649,049 S *	11/2011	Fields	D7/387	D790,088 S *	6/2017	Yeffet	D26/22
D656,818 S *	4/2012	Dunwoody	D9/435	D792,166 S *	7/2017	Kirsh	D7/601
8,191,728 B2 *	6/2012	Auer	A47J 36/027 215/216	D794,444 S *	8/2017	Chen	D9/428
D664,010 S *	7/2012	Goode	D7/610	D794,448 S *	8/2017	Mataya	D9/436
D665,055 S *	8/2012	Yanagisawa	D23/261	D796,269 S *	9/2017	Grepper	D7/586
D666,306 S *	8/2012	Belue	D25/36	9,795,165 B2 *	10/2017	Bried	A24F 23/00
D671,837 S *	12/2012	Rosenberg	D9/416	D803,007 S *	11/2017	Liao	D7/610
D676,276 S *	2/2013	Muspratt-Williams	D7/392.1	D807,704 S *	1/2018	Epstein	D7/554.2
D677,159 S *	3/2013	Sina	D7/392.1	2002/0088807 A1 *	7/2002	Perkovic	B65D 85/8043 220/654
D677,162 S *	3/2013	Sharma	D7/392.1	2002/0178995 A1 *	12/2002	Kane, Jr.	A47J 27/212 116/67 R
D680,280 S *	4/2013	Nielsen	D30/160	2004/0245261 A1 *	12/2004	Stanos	B65D 43/0208 220/793
D680,866 S *	4/2013	Golota	D9/435	2005/0092258 A1 *	5/2005	Markham	A01K 15/025 119/707
D682,481 S *	5/2013	Krueger	D30/124	2005/0199622 A1 *	9/2005	Radow	A47G 19/22 220/4.27
D682,687 S *	5/2013	McCumber	D9/435	2005/0269241 A1 *	12/2005	Brooks	H01L 21/67353 206/710
8,458,996 B2 *	6/2013	Bried	A24F 23/00 53/129.1	2006/0027176 A1 *	2/2006	McQuade	A01K 5/01 119/61.5
D686,513 S *	7/2013	Henriksson	D9/428	2006/0090257 A1 *	5/2006	Geller	A47K 3/001 4/584
D689,334 S *	9/2013	Krueger	D7/538	2006/0144340 A1 *	7/2006	Burge	A01K 5/0121 119/61.5
D689,701 S *	9/2013	Mischel, Jr.	D6/309	2006/0201434 A1 *	9/2006	Kujawa	A01K 5/0128 119/61.5
D689,742 S *	9/2013	Goodchild	D7/558	2006/0255052 A1 *	11/2006	Svitak	B65D 43/0208 220/780
D697,341 S *	1/2014	Fakahany	D6/677.3	2007/0108197 A1 *	5/2007	Richardson	B65D 15/14 219/734
D700,513 S *	3/2014	Carsrud	D9/447	2008/0044053 A1 *	2/2008	Belanger	H04R 1/023 381/391
D703,044 S *	4/2014	Chou	D9/435				
D705,593 S *	5/2014	Stamper	D7/392.1				
D707,489 S *	6/2014	Hertaus	D7/397				
D711,249 S *	8/2014	Henriksson	D9/504				
D711,250 S *	8/2014	Henriksson	D9/504				
D712,264 S *	9/2014	Humm	D9/449				
D715,588 S *	10/2014	Thun	D7/354				

(56)

References Cited

U.S. PATENT DOCUMENTS

2008/0179327 A1* 7/2008 Lin B65F 1/1607
220/264
2010/0180828 A1* 7/2010 DeMichael A01K 7/00
119/72
2010/0181323 A1* 7/2010 Thaler B65D 43/0254
220/574
2011/0100854 A1 5/2011 Chapin
2011/0284547 A1* 11/2011 McElligott A45F 3/20
220/495.03
2011/0303131 A1* 12/2011 Goode A47G 19/00
108/101
2012/0111279 A1* 5/2012 Ertek A01K 5/0128
119/61.5
2013/0228486 A1* 9/2013 Buck B65D 21/0238
206/459.1
2013/0291802 A1* 11/2013 Carpentieri A01K 7/00
119/72
2014/0069338 A1* 3/2014 Glazebrook A01K 15/025
119/51.01
2014/0373790 A1* 12/2014 Asimou A01K 5/0121
119/61.5

2015/0059652 A1* 3/2015 Rabideau A01K 5/0114
119/61.5
2016/0296048 A1* 10/2016 Myoung A47G 19/16
2016/0374312 A1* 12/2016 Tharp A01K 5/0114
119/51.5
2017/0029183 A1 2/2017 Danenberg et al.
2017/0071150 A1* 3/2017 Abbey A01K 5/00
2017/0196194 A1* 7/2017 Wild A01K 1/0157

OTHER PUBLICATIONS

International Search Report and Written Opinion dated Nov. 14, 2016 for International Application No. PCT/US2016/044419.
Product Data Sheet—Multiwax® ML 445 H, Sonneborn Refined Products, Sep. 11, 2012.
Plastic Films in Food Packaging: Materials, Technology and Applications, Sina Ebnesajjad, William Andrew, Dec. 31, 2012, p. 5 (4-methylpentene-1-Based Polyolefin (top) and polyester(bottom)), p. 57 (biaxially oriented films).
Partial European Search Report dated Jan. 23, 2017 for European Application No. 16181967.7.
Lid NPL, published Nov. 24, 2013, <https://forum.bodybuilding.com/showthread.php?t=158480883>.

* cited by examiner

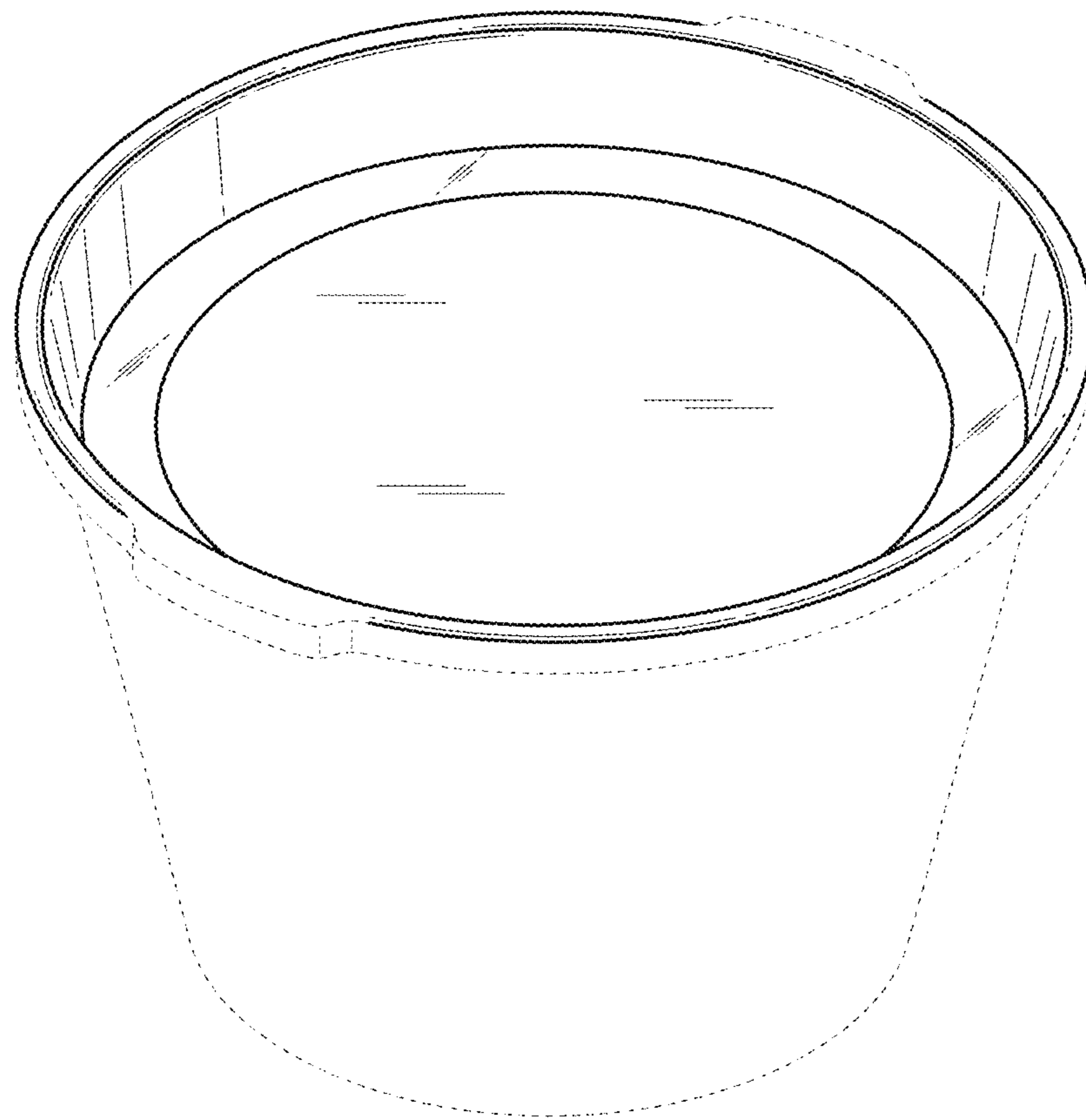


Fig. 1

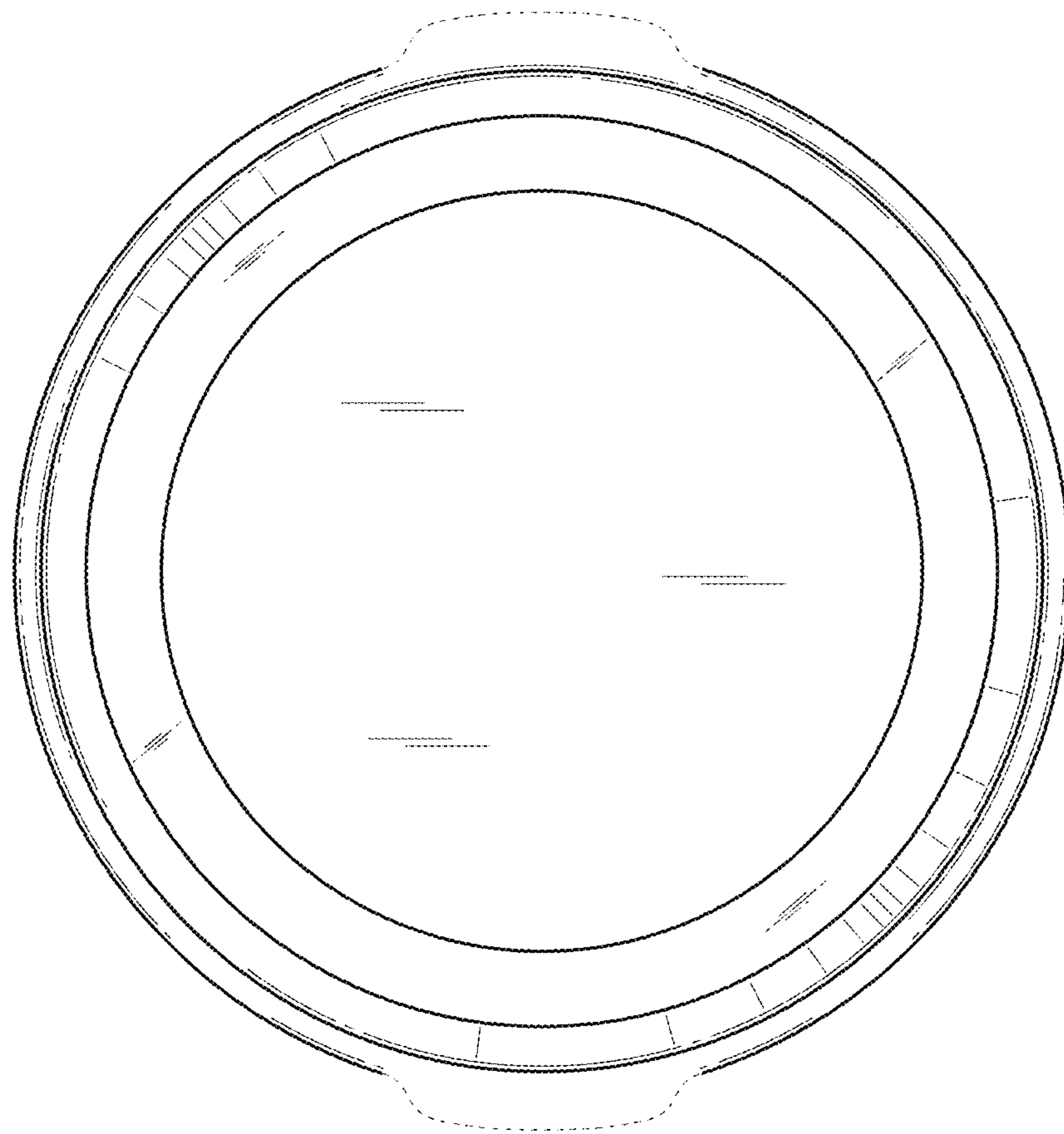


Fig. 2

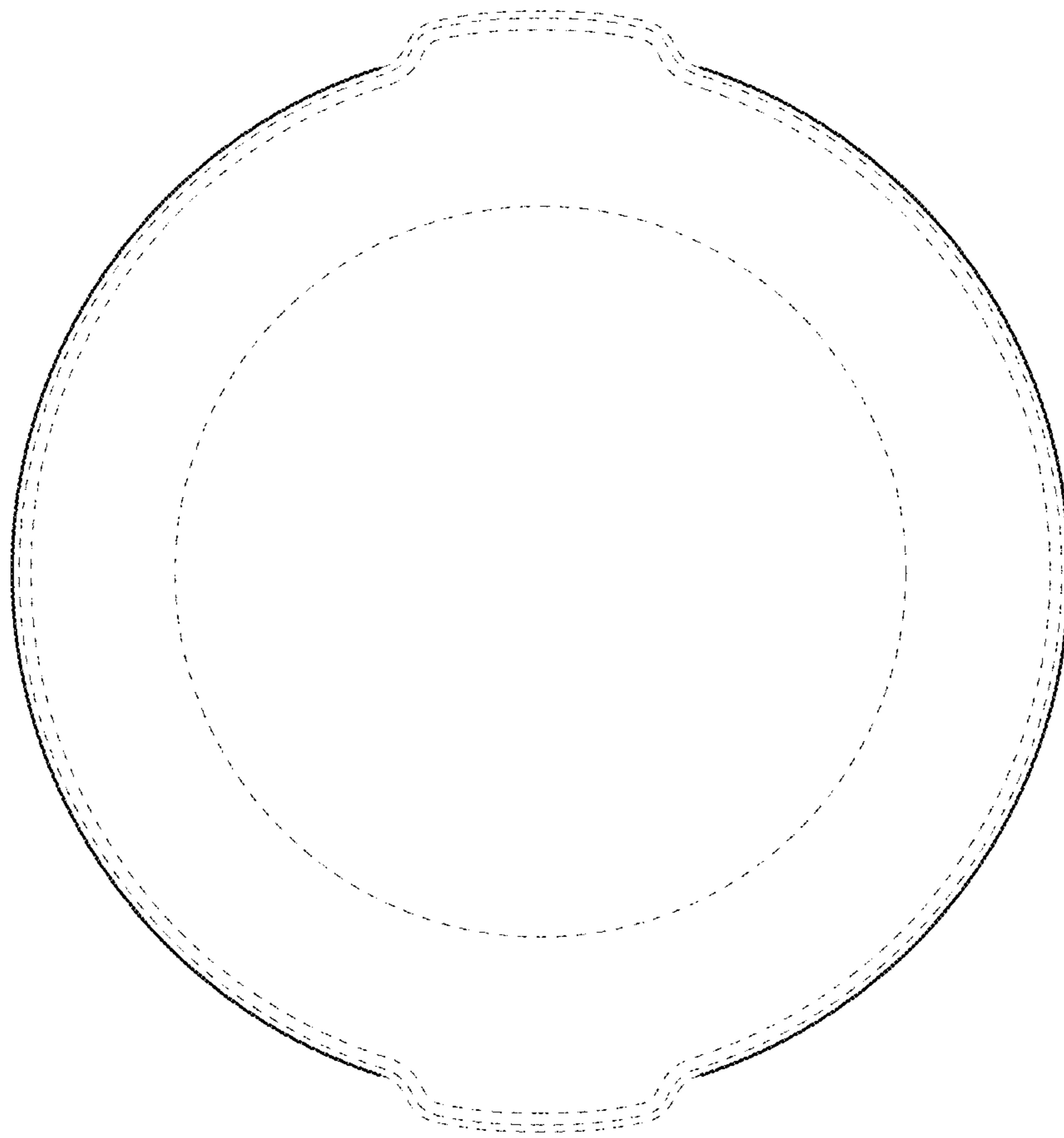


Fig. 3

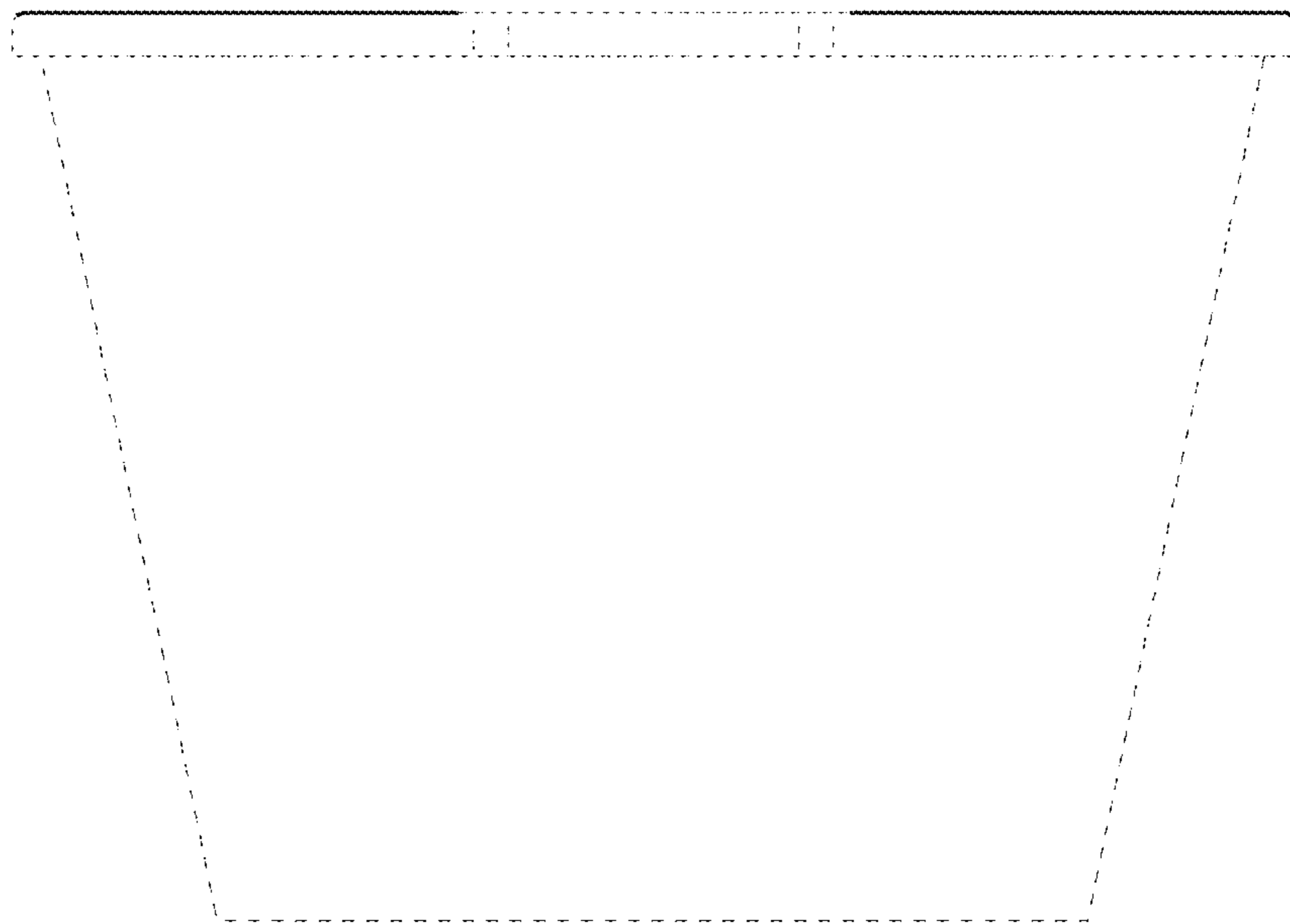


Fig. 4

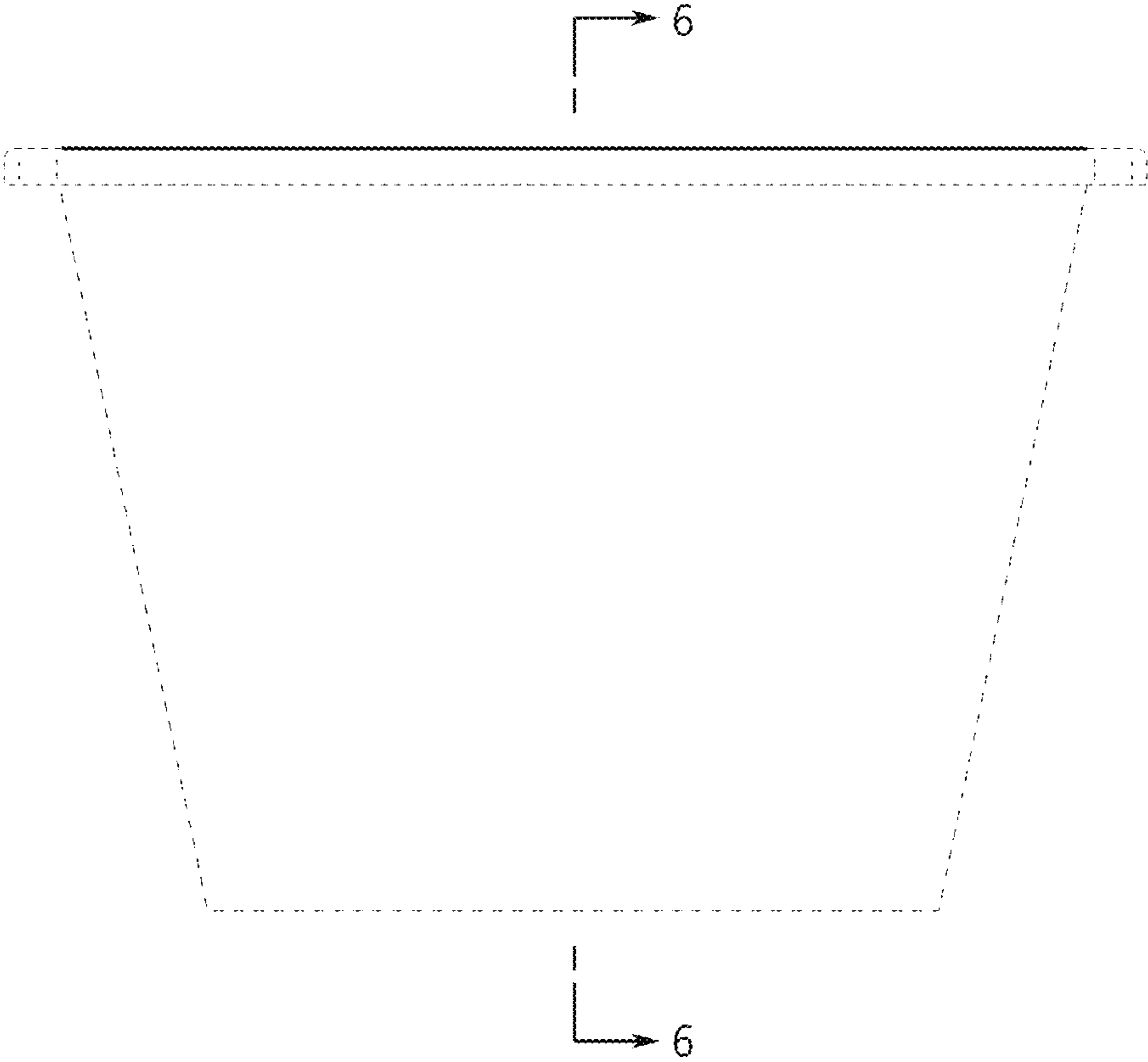


Fig. 5

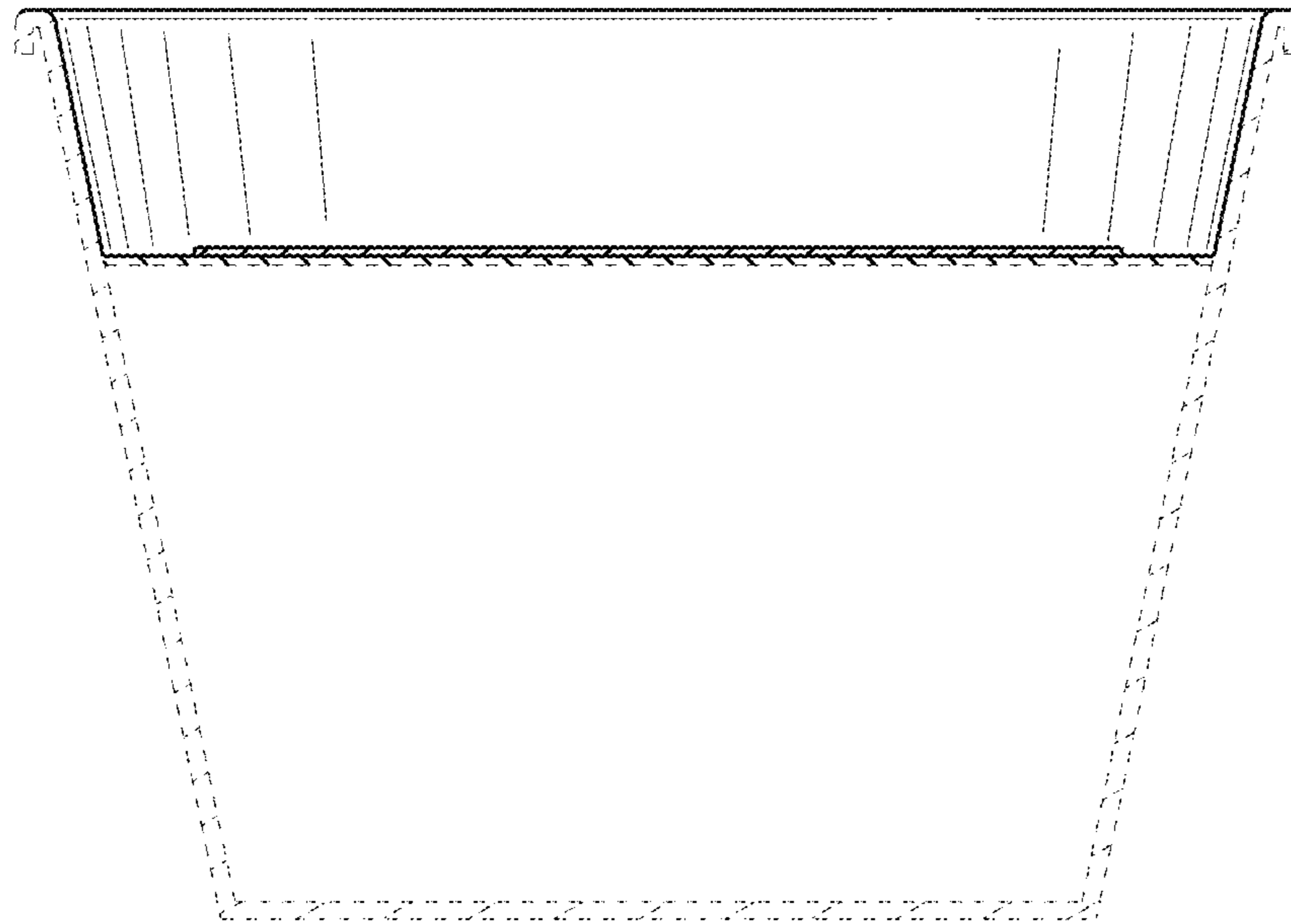


Fig. 6