



US00D824599S

(12) **United States Design Patent** (10) **Patent No.:** **US D824,599 S**
Lim (45) **Date of Patent:** **** Jul. 31, 2018**

(54) **INDUSTRIAL IMPACT SAFETY GLOVE**

(71) Applicant: **RINGERS TECHNOLOGIES LLC**,
Houston, TX (US)

(72) Inventor: **Hardy Lim**, Houston, TX (US)

(73) Assignee: **Ringers Technologies LLC**, Houston,
TX (US)

(**) Term: **15 Years**

(21) Appl. No.: **29/589,915**

(22) Filed: **Jan. 5, 2017**

(51) **LOC (11) Cl.** **02-06**

(52) **U.S. Cl.**
USPC **D29/117.1**

(58) **Field of Classification Search**
USPC D29/100, 113, 115, 116.1, 116.2, 116.3,
D29/117.1, 118, 120.1; D2/618-622
CPC A41D 19/01517; A41D 19/01505; A41D
19/015; A41D 19/01588
See application file for complete search history.

(56) **References Cited**

U.S. PATENT DOCUMENTS

D608,978 S *	2/2010	Votel	D2/617
D609,861 S *	2/2010	Fitzgerald	D29/113
D619,305 S *	7/2010	Fitzgerald	D29/113
D621,552 S *	8/2010	Fitzgerald	D29/113
D621,553 S *	8/2010	Fitzgerald	D29/113
D625,051 S *	10/2010	Fitzgerald	D29/113
D701,349 S *	3/2014	Miller	D29/113
D722,208 S *	2/2015	Votel	D2/619
D733,364 S *	6/2015	Choi	D29/117.1
D745,746 S *	12/2015	Hughes	D29/117.1
D748,343 S *	1/2016	Wyatt	D29/117.1
D759,318 S *	6/2016	Wyatt	D29/117.1
D788,402 S *	6/2017	Votel	D2/619
D796,779 S *	9/2017	Votel	D2/619

D809,714 S *	2/2018	Lim	D29/117.1
2006/0212990 A1 *	9/2006	Mattesky	A41D 19/0006 2/161.6
2008/0109935 A1 *	5/2008	DeBlasis	A63B 71/148 2/161.1

(Continued)

OTHER PUBLICATIONS

Ringers Gloves 065 R-Flex, posted at amazon.com, posting date May 30, 2016, [online], [site visited 8-28-26]. Available from Internet, URL: <https://www.amazon.com/RingersGlovesRFlexNitrileProtection/dp/B01GDEJOQC>.*

(Continued)

Primary Examiner — George D. Kirschbaum

Assistant Examiner — Maria J Edwards

(74) *Attorney, Agent, or Firm* — Jason P. Mueller; Adams and Reese, LLP

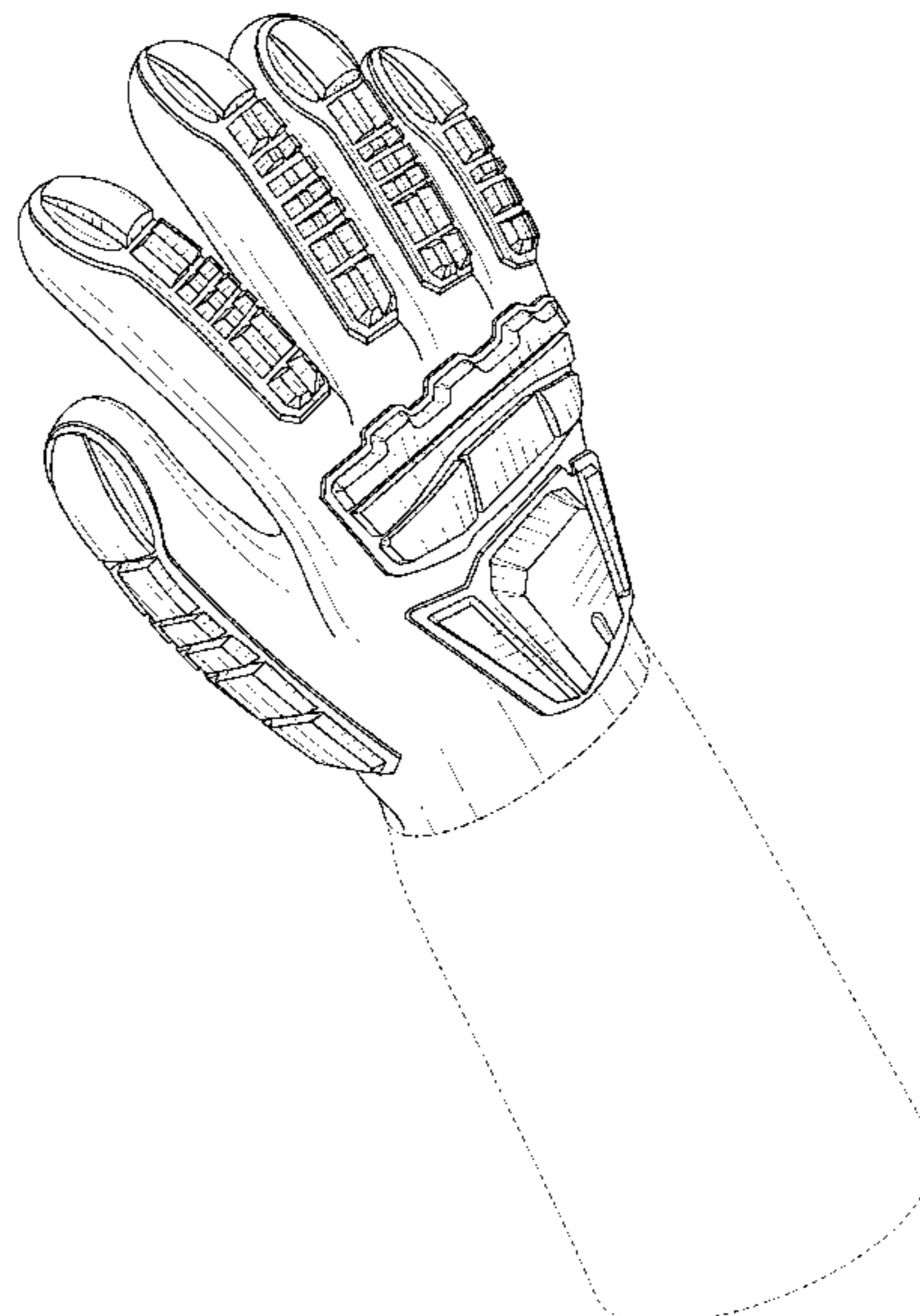
(57) **CLAIM**

The ornamental design for an industrial impact safety glove, as shown and described.

DESCRIPTION

FIG. 1 is a perspective view of an industrial impact safety glove in accordance with the present design; FIG. 2 is a rear elevational view thereof; FIG. 3 is a front elevational view thereof; FIG. 4 is a right side elevational view thereof; FIG. 5 is a left side elevational view thereof; FIG. 6 is a top plan view thereof; and, FIG. 7 is a bottom plan view thereof. The broken lines shown are included for the purpose of illustrating a portion of the industrial impact safety glove that forms no part of the claimed design. Although shown in the context of a right hand glove, an embodiment of the present invention also may be incorporated in a left hand glove, wherein the left hand glove is a mirror image of the right hand glove depicted in the FIGS. 1 through 7.

1 Claim, 6 Drawing Sheets



(56)

References Cited

U.S. PATENT DOCUMENTS

2008/0263747 A1* 10/2008 DeBlasis A41F 1/06
2/161.1
2010/0071114 A1* 3/2010 Jaeger A41D 19/01523
2/161.6
2012/0054937 A1* 3/2012 Robaire A63B 71/148
2/16
2014/0026282 A1* 1/2014 Rusakov A63B 71/143
2/20
2014/0033392 A1* 2/2014 Bulan A41D 19/01529
2/16
2015/0119200 A1* 4/2015 Jones A63B 21/065
482/44
2016/0135520 A1* 5/2016 Jung A41D 19/01505
2/161.6

OTHER PUBLICATIONS

Ringers Gloves 160 Light Duty Series, posted at amazon.com, posting date Jun. 9, 2016, [online], [site visited 8-28-26]. Available

from Internet, URL: <https://www.amazon.com/RingersGlovesLightSiliconePadding/dp/B01GU31V60>.
Ringers Gloves 169 Series Velcro Closure Gloves, posted at amazon.com, posting date Jun. 9, 2016, [online], [site visited 8-28-26]. Available from Internet, URL: <https://www.amazon.com/RingersGlovesVelcroClosureMedium/dp/B01GU4HYXK>.
Ringers Gloves 179 Series, posted at amazon.com, posting date Jun. 9, 2016, [online], [site visited 8-28-26]. Available from Internet, URL: <https://www.amazon.com/RingersGlovesR17912SlipXXLarge/dp/B01GU5BEGM>.
Ringers Gloves 266 Insulated Gloves, posted at amazon.com, posting date Mar. 11, 2011, [online], [site visited Aug. 26, 2017]. Available from Internet, URL: <https://www.amazon.com/RingersGloves266InsulatedLarge/dp/B004TMLLRQ>.
Ringers Gloves R-267 Roughneck, posted at amazon.com, posting date Dec. 15, 2010, [online], [site visited Aug. 26, 2017]. Available from Internet, URL: <https://www.amazon.com/RingersGlovesRoughneckImpactProtection/dp/B00BJ9UGX2>.

* cited by examiner

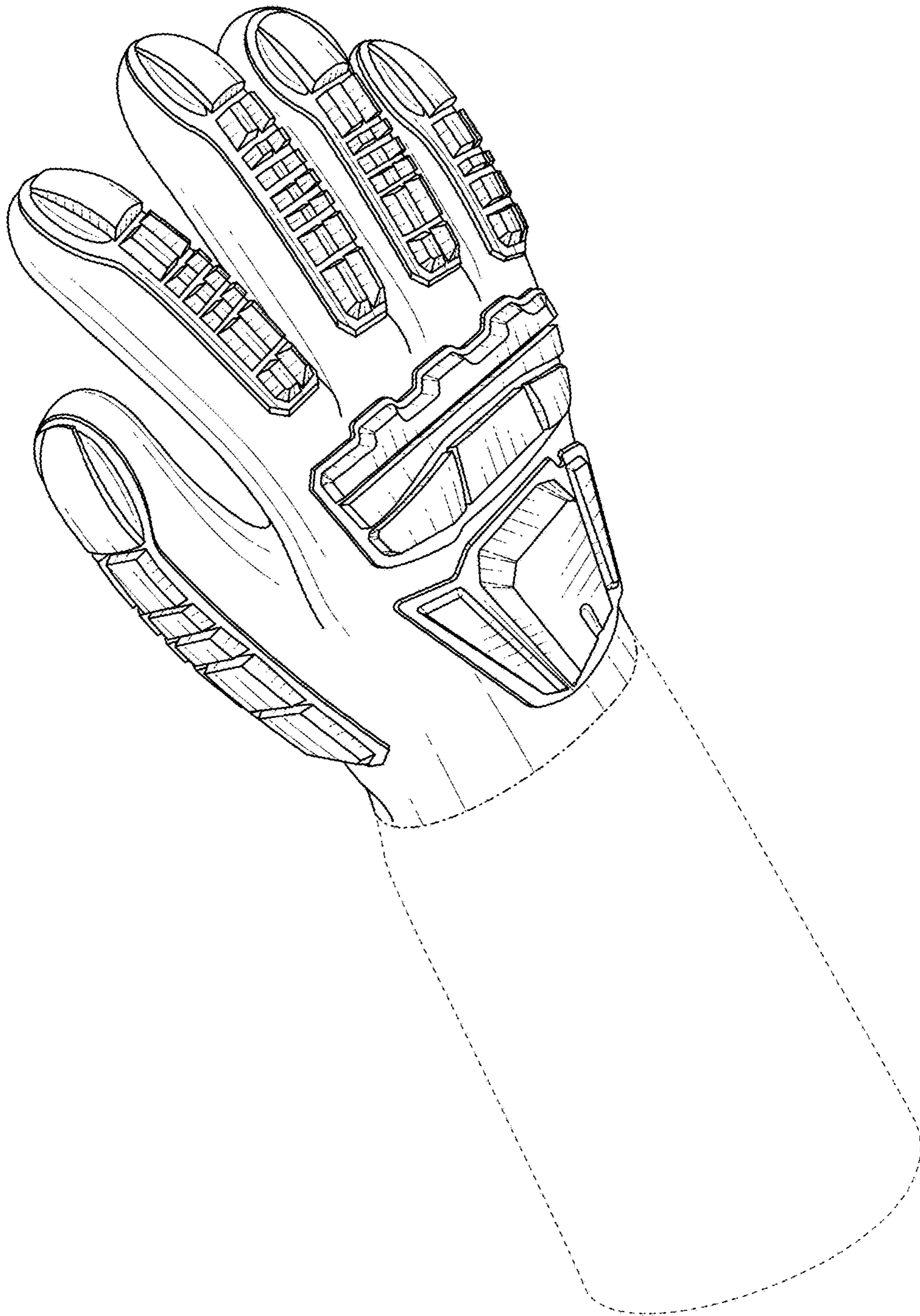


FIG. 1

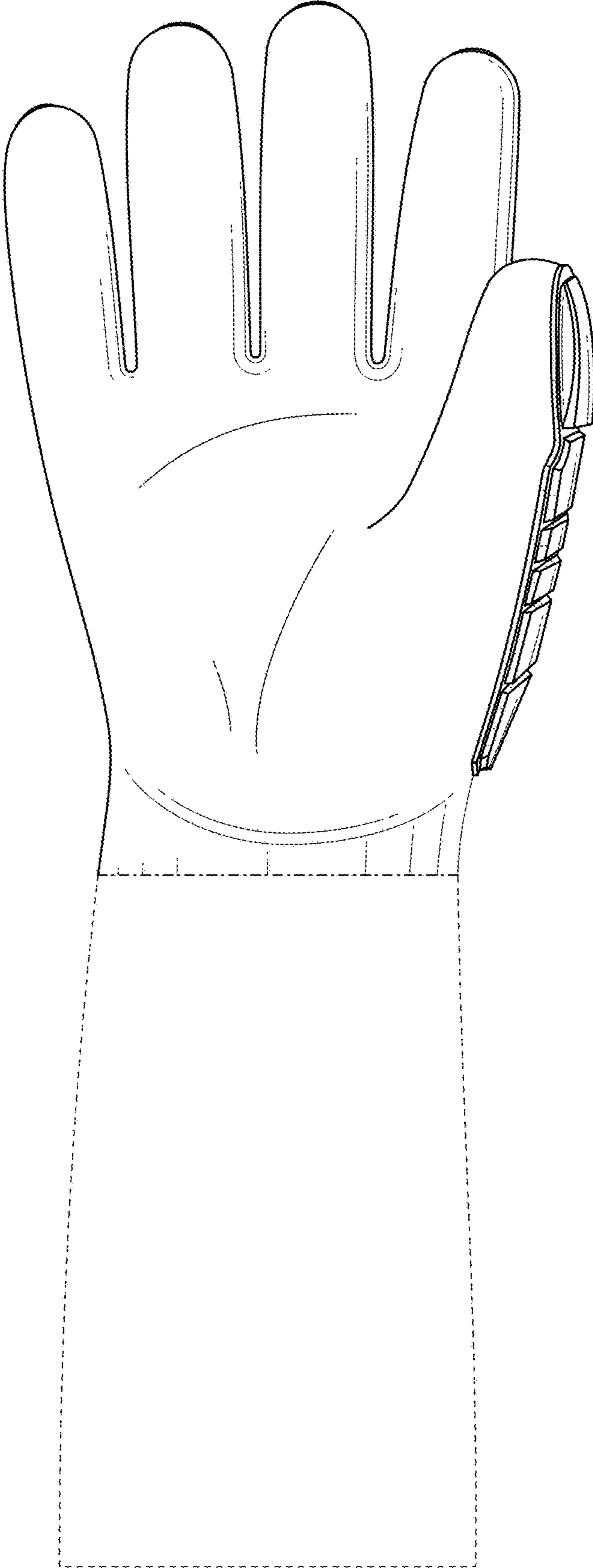


FIG. 2

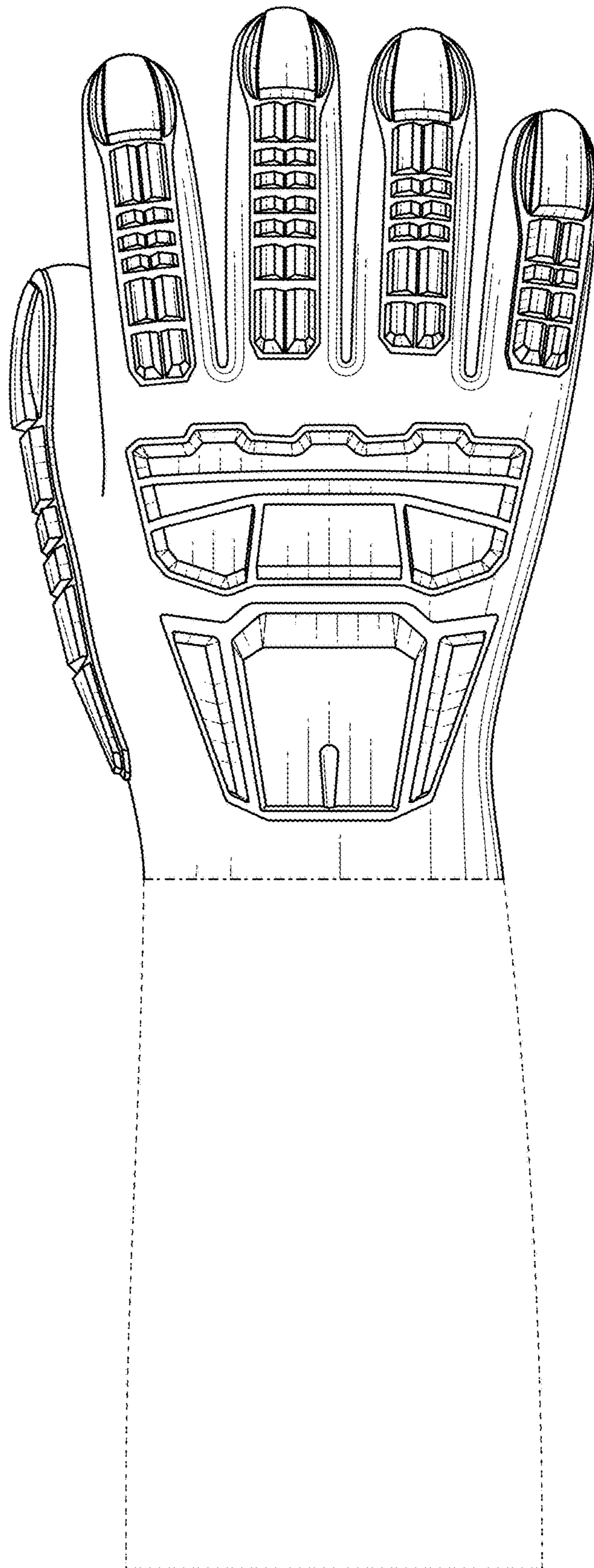


FIG. 3

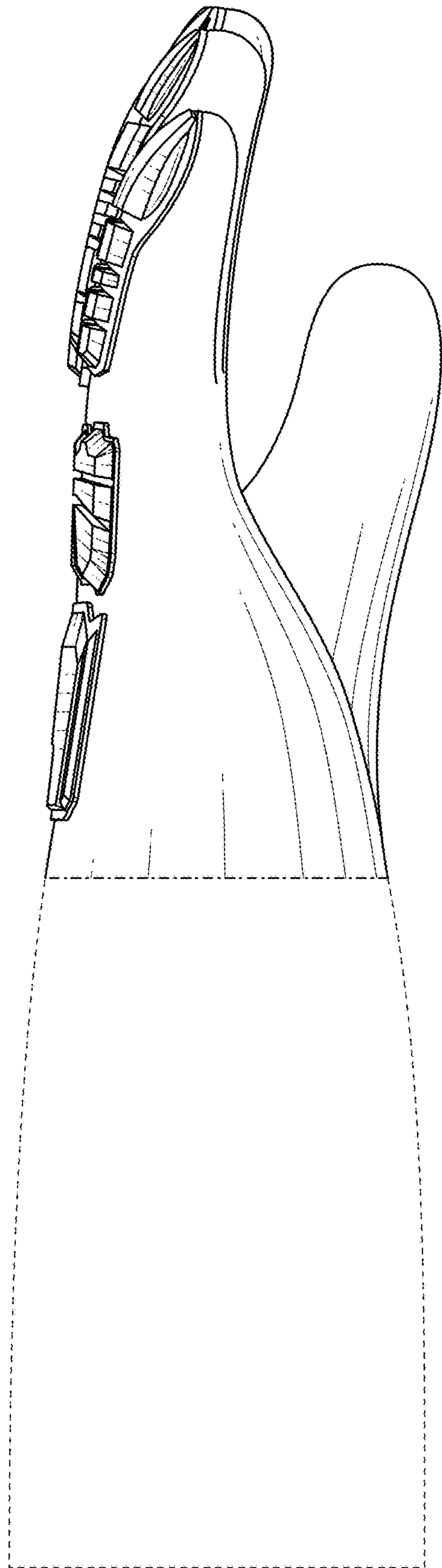


FIG. 4

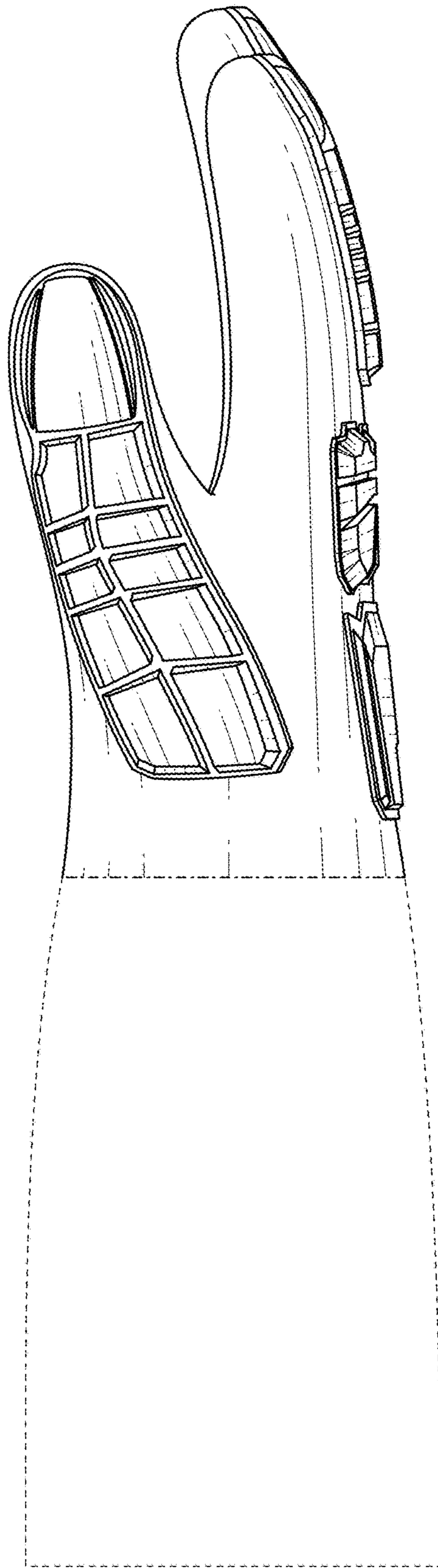


FIG. 5

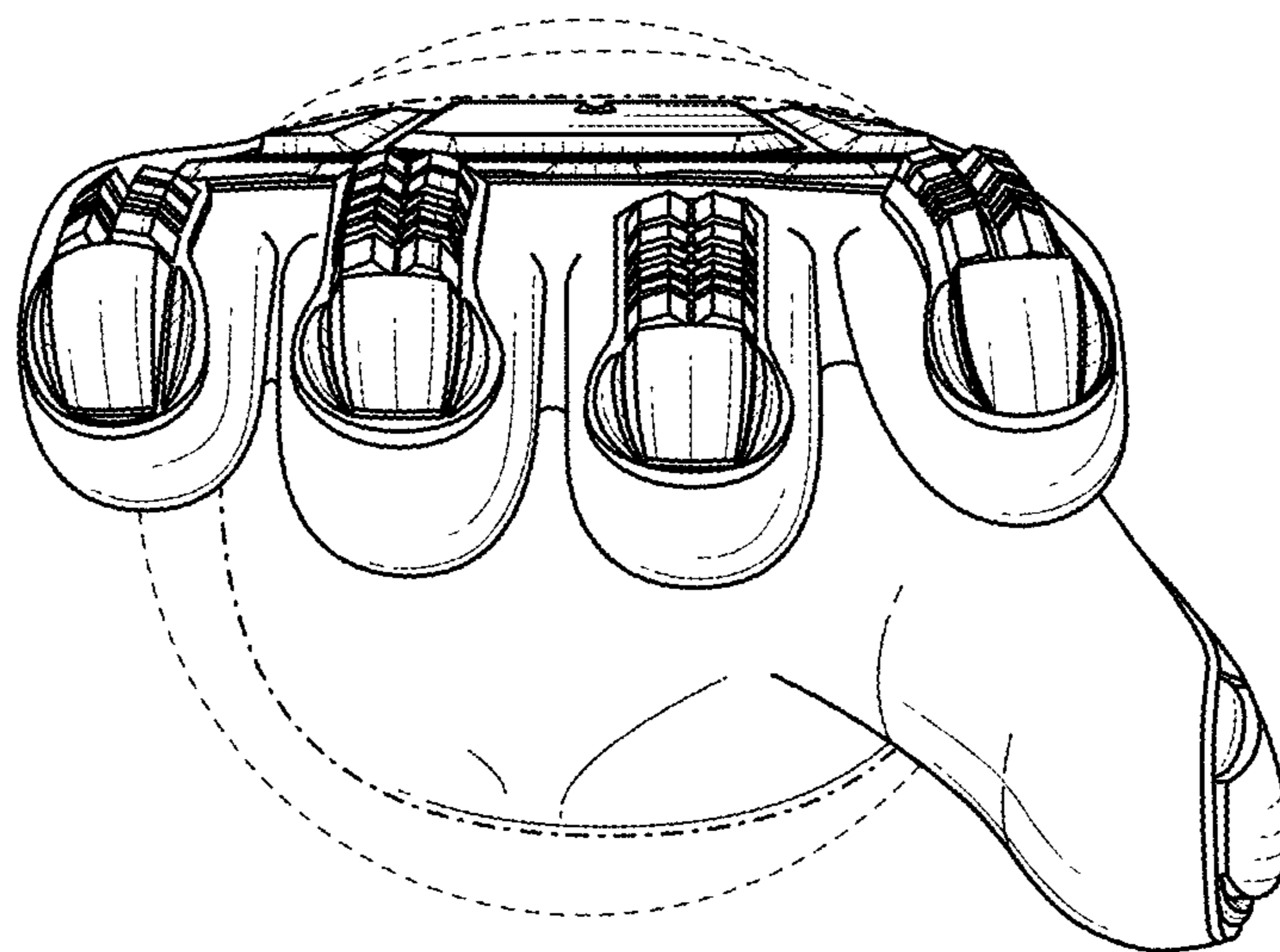


FIG. 6

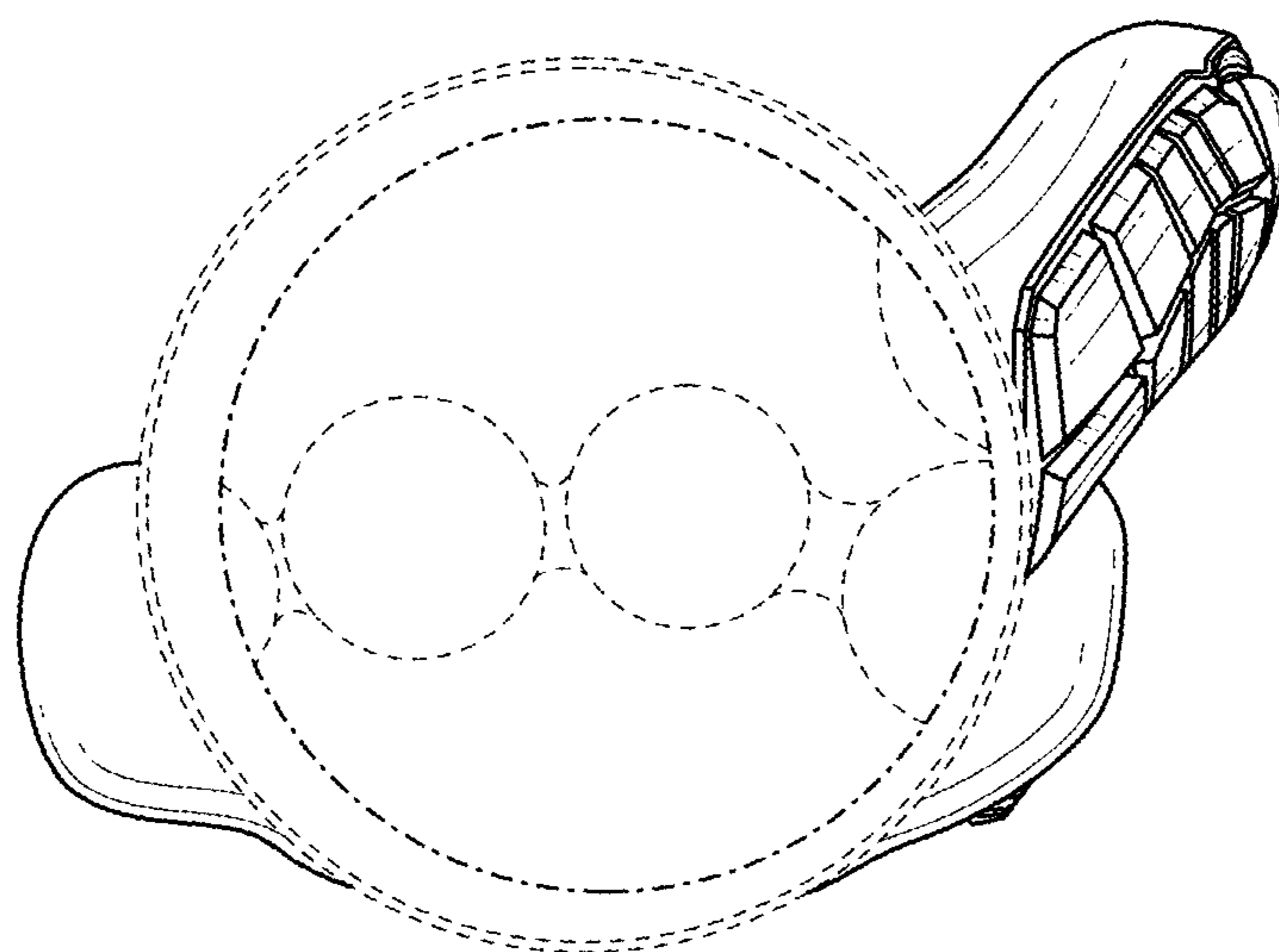


FIG. 7