



US00D824596S

(12) **United States Design Patent**
Gobber et al.

(10) **Patent No.:** **US D824,596 S**
(45) **Date of Patent:** **** Jul. 31, 2018**

(54) **ABRASIVE SKIN TREATMENT APPARATUS**

(56)

References Cited

(71) Applicant: **ZOBELE HOLDING SPA**, Trento (IT)

U.S. PATENT DOCUMENTS

(72) Inventors: **Cedric Gobber**, Barcelona (ES);
Joaquim Llorente Alonso, Barcelona (ES)

D701,648 S *	3/2014	Yiu	D24/133
D752,812 S *	3/2016	Sivan	D28/58
D759,311 S *	6/2016	Khubani	D28/58
D765,914 S *	9/2016	Khubani	D24/133
D780,997 S *	3/2017	Leventhal	D24/133
D781,498 S *	3/2017	Pel	D24/133
D781,499 S *	3/2017	Pel	D24/133
D788,981 S *	6/2017	Yiu	D28/58
D788,984 S *	6/2017	Yiu	D28/58

(73) Assignee: **Zooble Holding SPA**, Trento (IT)

(**) Term: **15 Years**

* cited by examiner

(21) Appl. No.: **35/502,836**

(22) Filed: **Oct. 20, 2016**

Primary Examiner — Zenia Bennett

(80) **Hague Agreement Data**

(74) *Attorney, Agent, or Firm* — Ostrolenk Faber LLP

Int. Filing Date: **Oct. 20, 2016**

Int. Reg. No.: **DM/093140**

Int. Reg. Date: **Oct. 20, 2016**

Int. Reg. Pub. Date: **Apr. 21, 2017**

(57) **CLAIM**

The ornamental design for a abrasive skin treatment apparatus, as shown and described.

(30) **Foreign Application Priority Data**

DESCRIPTION

Apr. 20, 2016 (ES) D0523164

(51) **LOC (11) Cl.** **28-03**

(52) **U.S. Cl.**

USPC **D28/58**; D28/59

(58) **Field of Classification Search**

USPC D28/56, 57, 58, 59; D24/146, 133

CPC A45D 29/18; A45D 29/02; A45D 29/05;

A45D 29/06; A45D 29/04; A45D

29/11–29/14; A45D 29/00

See application file for complete search history.

1. Abrasive skin treatment apparatus

Fig. 1.1 is a front elevation view;

Fig. 1.2 is rear elevation view;

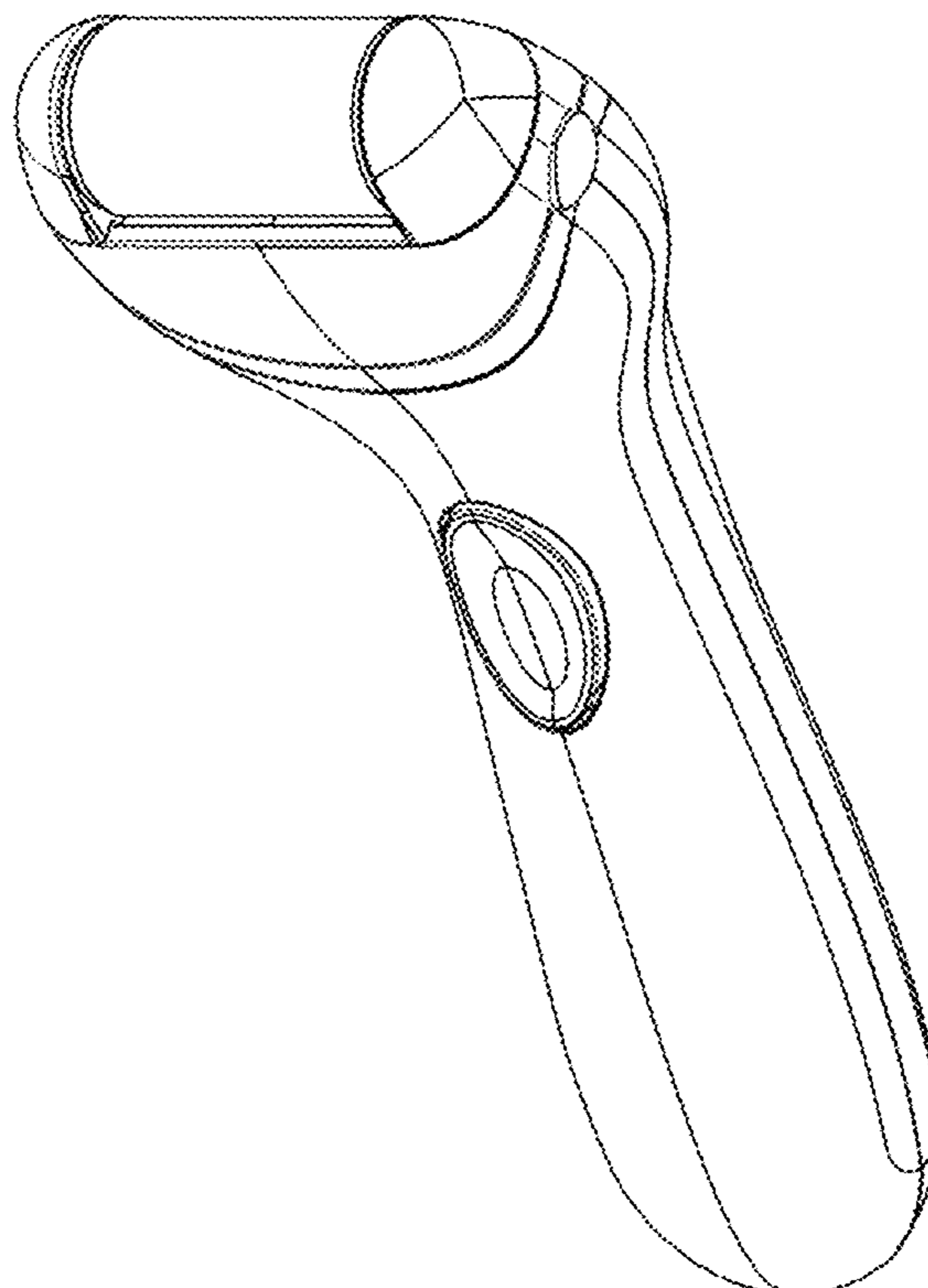
Fig. 1.3 is a left side elevation view;

Fig. 1.4 is a bottom plan view;

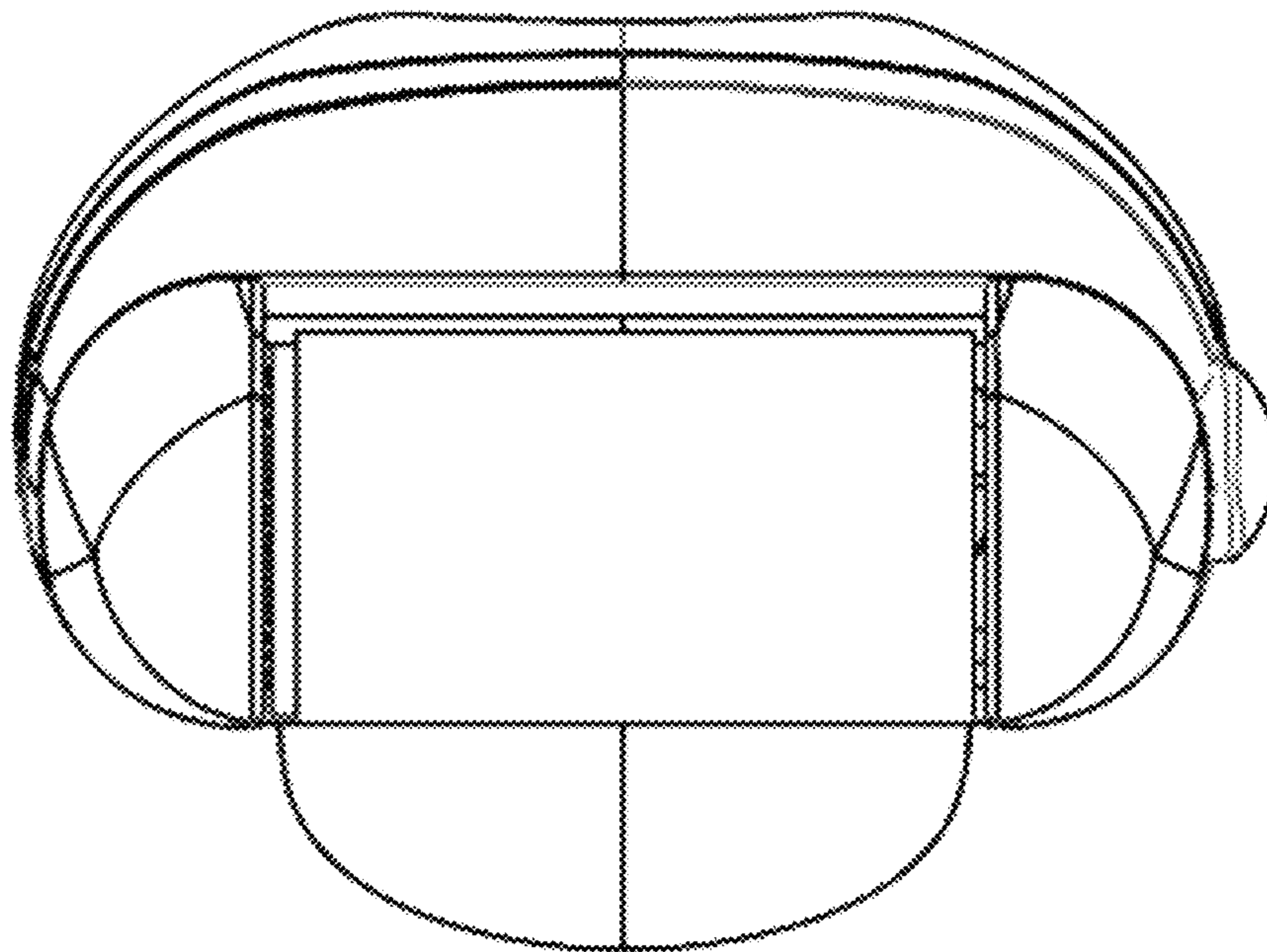
Fig. 1.5 is a right side elevation view;

Fig. 1.6 is a perspective view.

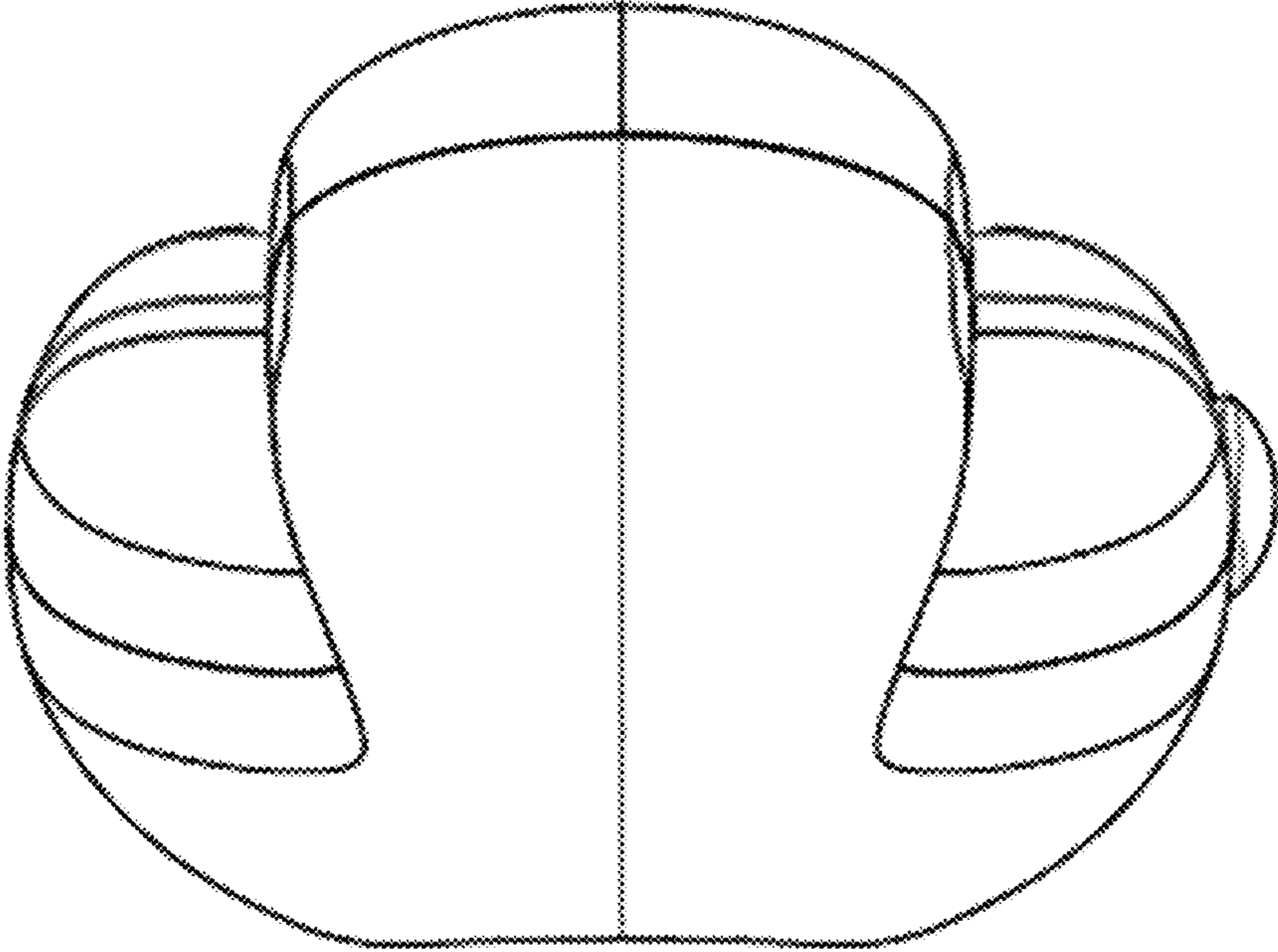
1 Claim, 6 Drawing Sheets



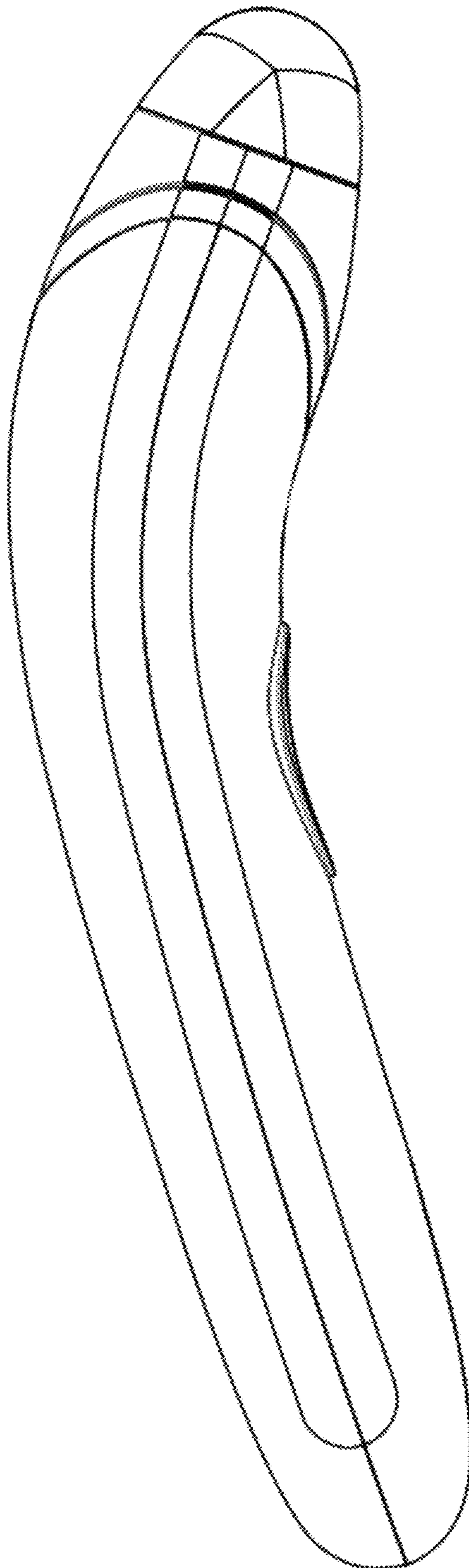
1.1



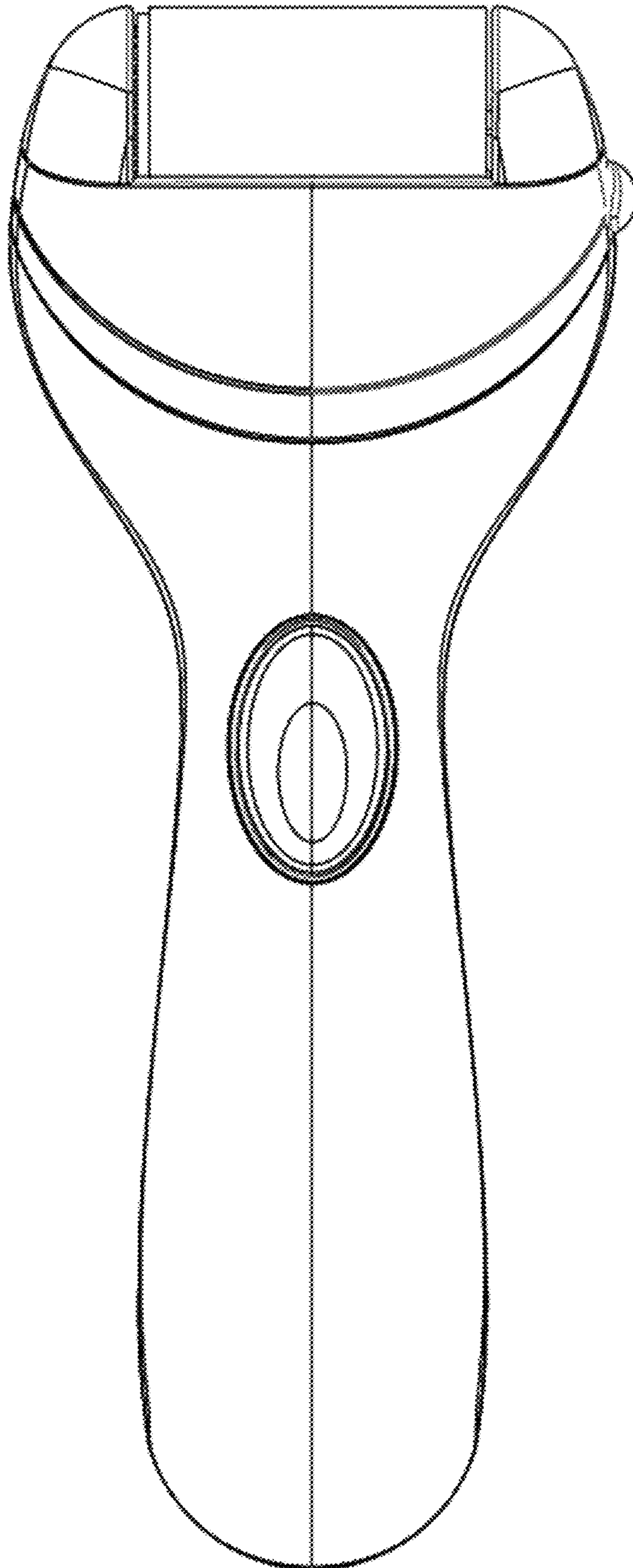
1.2



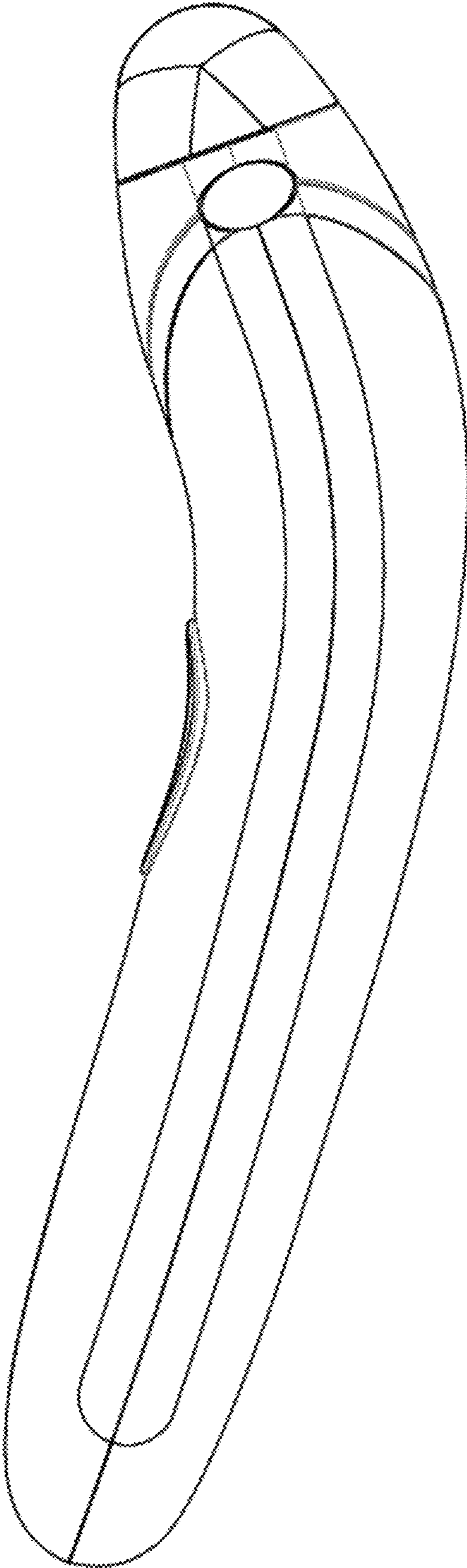
1.3



1.4



1.5



1.6

