



US00D824588S

(12) **United States Design Patent**
Baldwin

(10) **Patent No.:** **US D824,588 S**
(45) **Date of Patent:** **** Jul. 31, 2018**

(54) **HAIR RETENTION DEVICE**

(71) Applicant: **LIONESSE INGENUITIES, INC.**, San Diego, CA (US)

(72) Inventor: **Taylor Lynn Baldwin**, San Diego, CA (US)

(73) Assignee: **Lioness Ingenuities, Inc.**, San Diego, CA (US)

(**) Term: **15 Years**

(21) Appl. No.: **29/543,981**

(22) Filed: **Oct. 29, 2015**

(51) **LOC (11) Cl.** **28-03**

(52) **U.S. Cl.**
USPC **D28/39**

(58) **Field of Classification Search**
USPC D28/30, 10, 39-43, 73, 75; D8/51, 52; 81/119, 122, 300; D9/21; 132/273-279
CPC ... A45D 8/08; A45D 8/03; A45D 8/02; A45D 8/00; A45D 8/14; A45D 8/16; A45D 8/24; A45D 8/26; A45D 8/32; A45D 8/34
See application file for complete search history.

(56) **References Cited**

U.S. PATENT DOCUMENTS

D146,349 S * 2/1947 Dovidio et al. D28/39
5,082,011 A 1/1992 Wu
5,566,690 A 10/1996 Shih-Ming

(Continued)

OTHER PUBLICATIONS

Blovess, "Yueton Pack at 12 Office Lady Style Magic Simple Fast Spiral Hair Braid Twist Styling Tool Clip Pin". (http://www.amazon.com/Yueton-Office-Simple-Spiral-Styling/dp/B017TP5GE8/ref=pd_sim_121_2?ie=UTF8&dpID=51KWkFWEL%2BL&dpSrc=sims&preST=AC_UL160_SR160%2C160_&refRID=1NPST3A9P651WW10PNWD). Downloaded Jun. 12, 2016.

(Continued)

Primary Examiner — Susan Bennett Hattan

Assistant Examiner — Rebecca Tsehaye

(74) *Attorney, Agent, or Firm* — Loza & Loza, LLP; Heidi Eisenhut

(57) **CLAIM**

The ornamental design of a hair retention device, as shown and described.

DESCRIPTION

FIG. 1 is a top right side perspective view of a hair retention device of the present invention, according to one example; FIG. 2 is a bottom left side perspective view of the hair retention device of FIG. 1;

FIG. 3 is a front elevation view of the hair retention device of FIG. 1;

FIG. 4 is a rear elevation view of the hair retention device of FIG. 1;

FIG. 5 is a side elevation view of the hair retention device of FIG. 1;

FIG. 6 is a top plan view of the hair retention device of FIG. 1; and

FIG. 7 is a bottom plan view of the hair retention device of FIG. 1.

FIG. 8 is a top right side perspective view of a hair retention device of the present invention, according to one example;

FIG. 9 is a bottom left side perspective view of the hair retention device of FIG. 8;

FIG. 10 is a front elevation view of the hair retention device of FIG. 8;

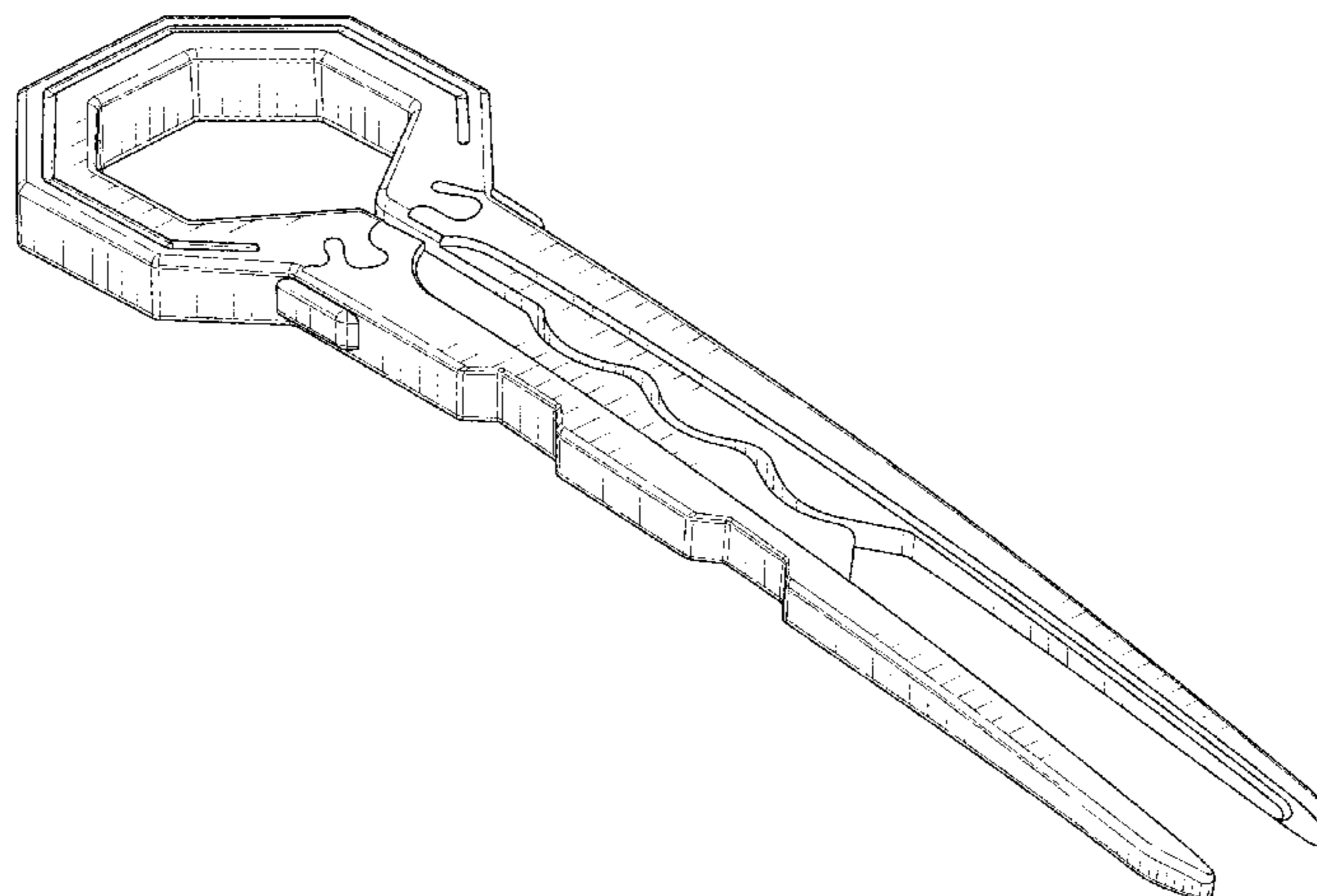
FIG. 11 is a rear elevation view of the hair retention device of FIG. 8;

FIG. 12 is a side elevation view of the hair retention device of FIG. 8;

FIG. 13 is a top plan view of the hair retention device of FIG. 8; and,

FIG. 14 is a bottom plan view of the hair retention device of FIG. 8.

1 Claim, 14 Drawing Sheets



(56)

References Cited

U.S. PATENT DOCUMENTS

D429,029	S *	8/2000	Ford	D28/39
6,591,843	B1 *	7/2003	Langohr	A45D 8/24 132/276
7,373,940	B1	5/2008	Lloyd		
D578,708	S *	10/2008	Ringart	D28/45
8,011,375	B2	9/2011	Defenbaugh et al.		
D654,624	S *	2/2012	Hsu	D28/41
D687,597	S *	8/2013	Webster	A45D 8/20 D28/25
D699,392	S *	2/2014	Xiao	D28/41
D720,885	S *	1/2015	Hsu	A45D 8/02 D28/39
9,032,973	B2 *	5/2015	Park	A45D 8/20 132/277
D782,114	S *	3/2017	Solis	D28/41
2004/0237993	A1	12/2004	Shyu		
2013/0233337	A1 *	9/2013	Carey	A45D 8/20 132/277
2014/0000644	A1	1/2014	Baldwin et al.		
2014/0182616	A1 *	7/2014	Johnson	A45D 8/08 132/275

OTHER PUBLICATIONS

Good Hair Days, "Magic Grip Hair Pins Set of 10". (http://www.amazon.com/Magic-Grip-Hair-Good-Days/dp/B0079205W0/ref=sr_1_42_s_it?s=beauty&ie=UTF8&qid=1465069544&sr=1-42&keywords=hair+pins). Downloaded Jun. 12, 2016.

Parcelona, "French Sleek Tortoise Shell 9 Cms Large Wavy Crink U Shaped Chignon Hair Pins". (http://www.amazon.com/Parcelona-French-Tortoise-Shaped-Chignon/dp/B00K3EPEYA/ref=sr_1_50_s_it?s=beauty&ie=UTF8&qid=1465069544&sr=1-50&keywords=hair+pins). Downloaded Jun. 12, 2016.

Shyu, U.S. Appl. No. 10/446,977 (Abandoned). "Device for Styling Hair Without Hair Pin." Amendment and Remarks filed Mar. 24, 2005.

* cited by examiner

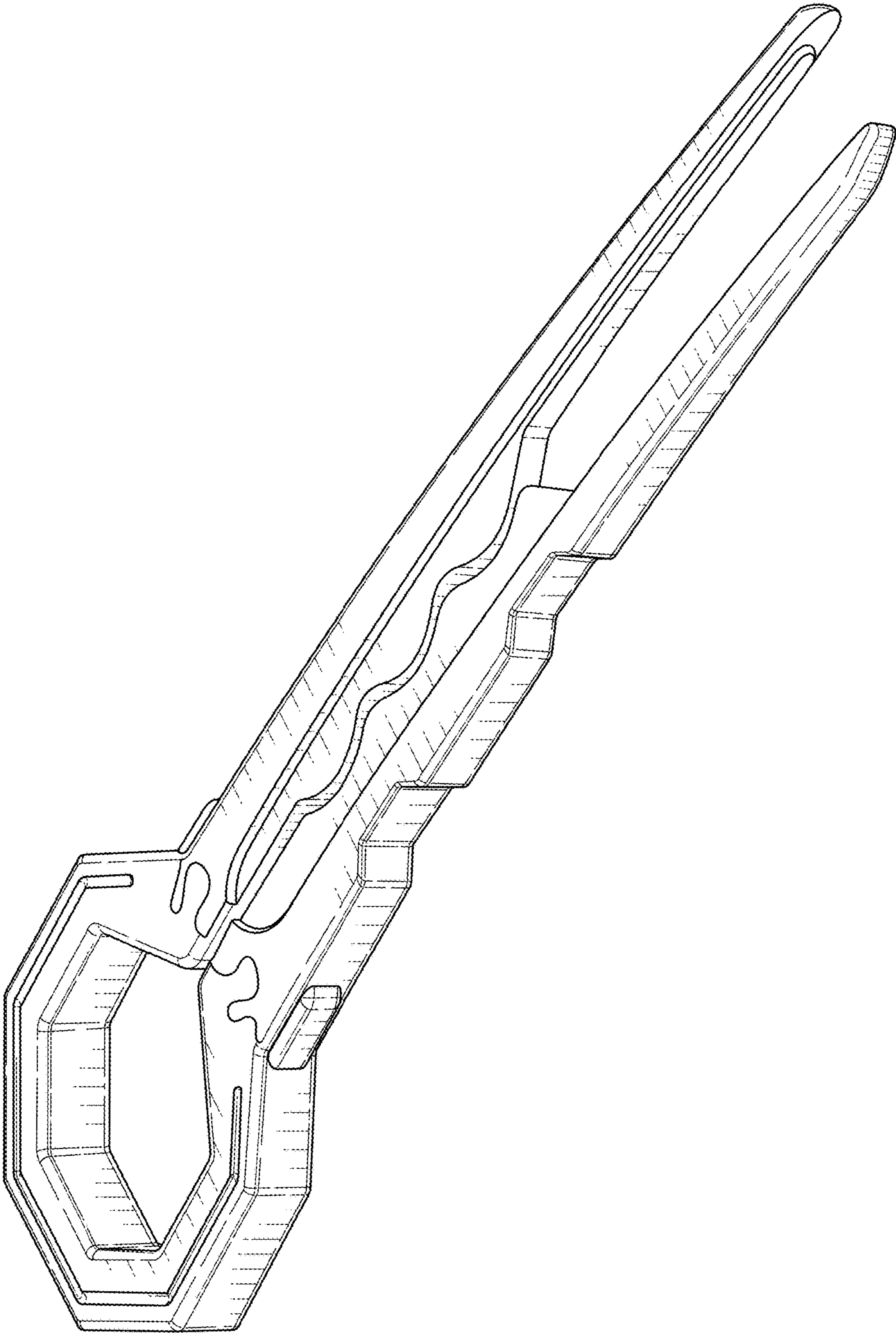


FIG. 1

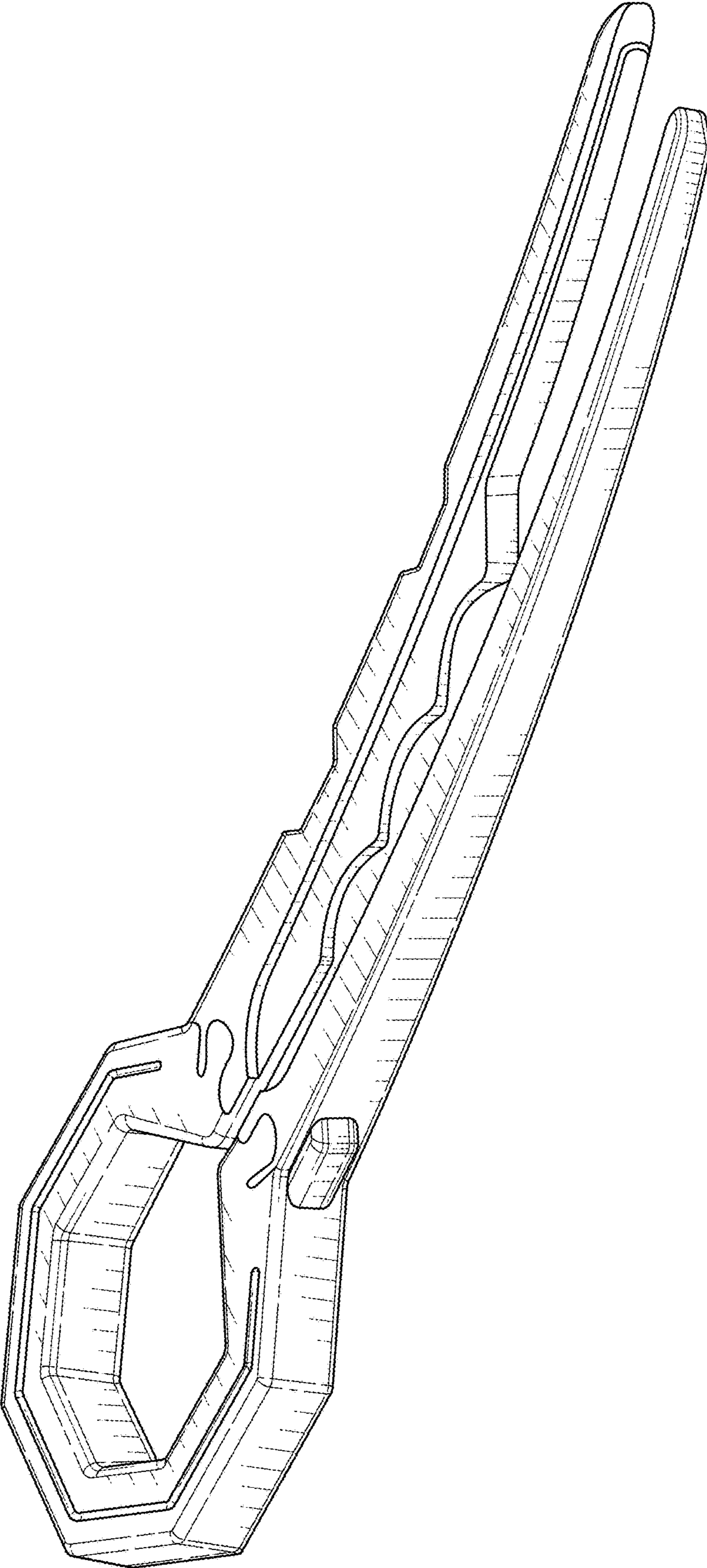


FIG. 2

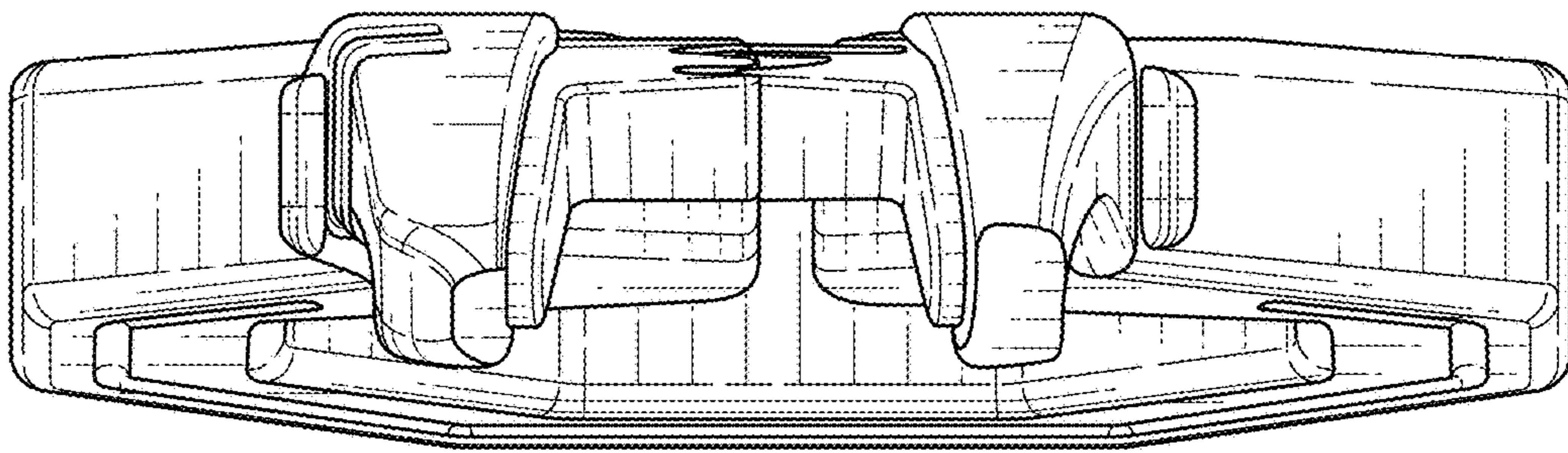


FIG. 3

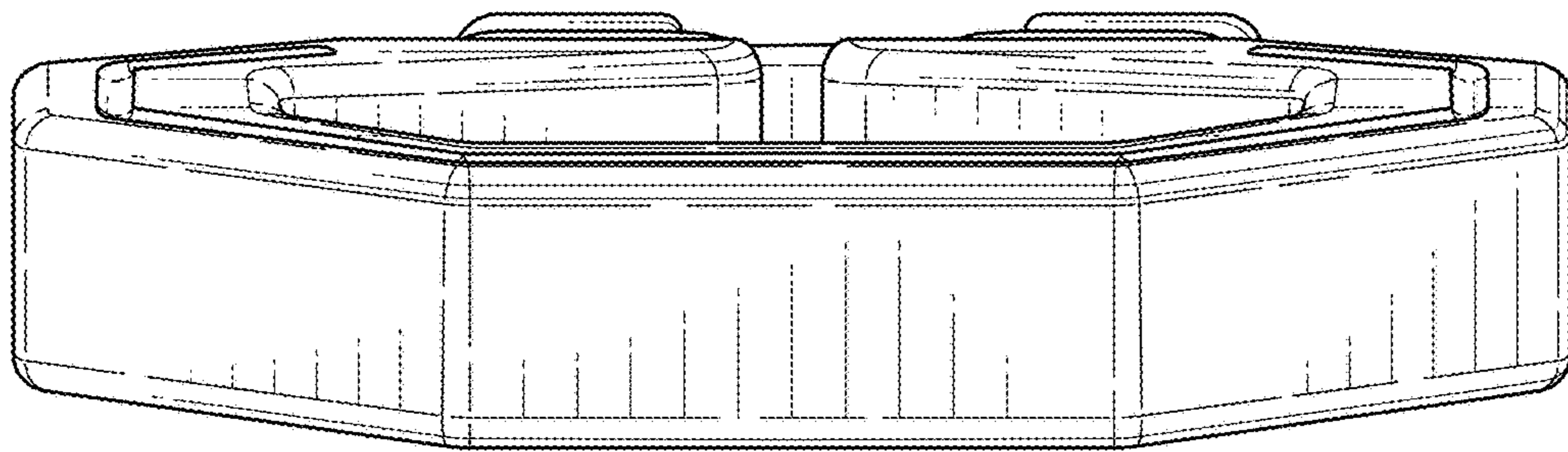


FIG. 4

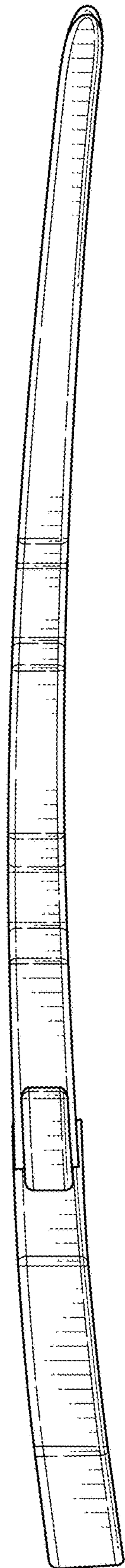


FIG. 5

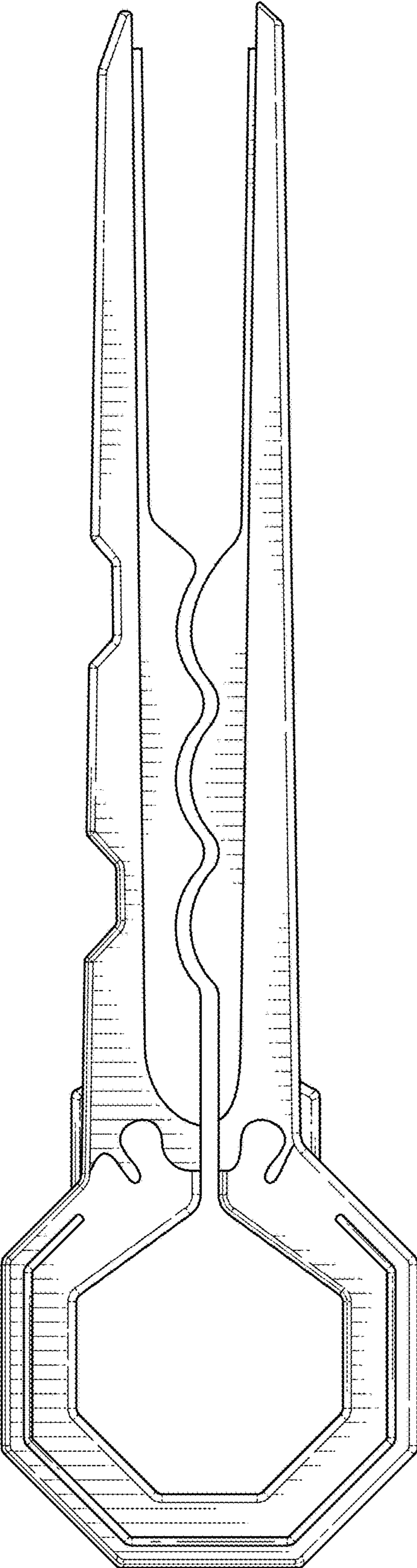


FIG. 6

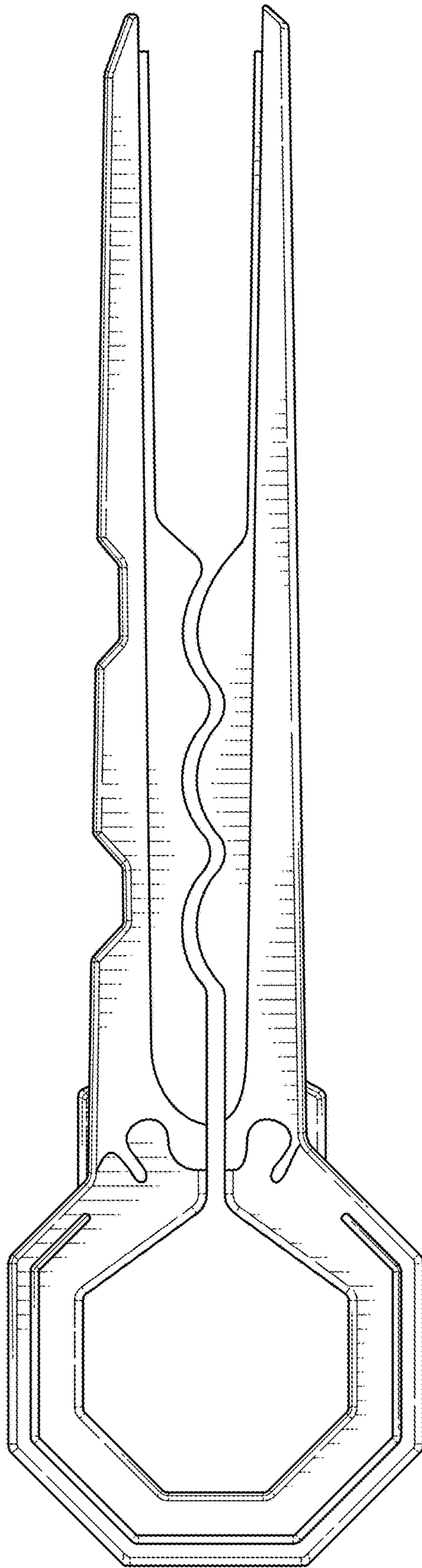


FIG. 7

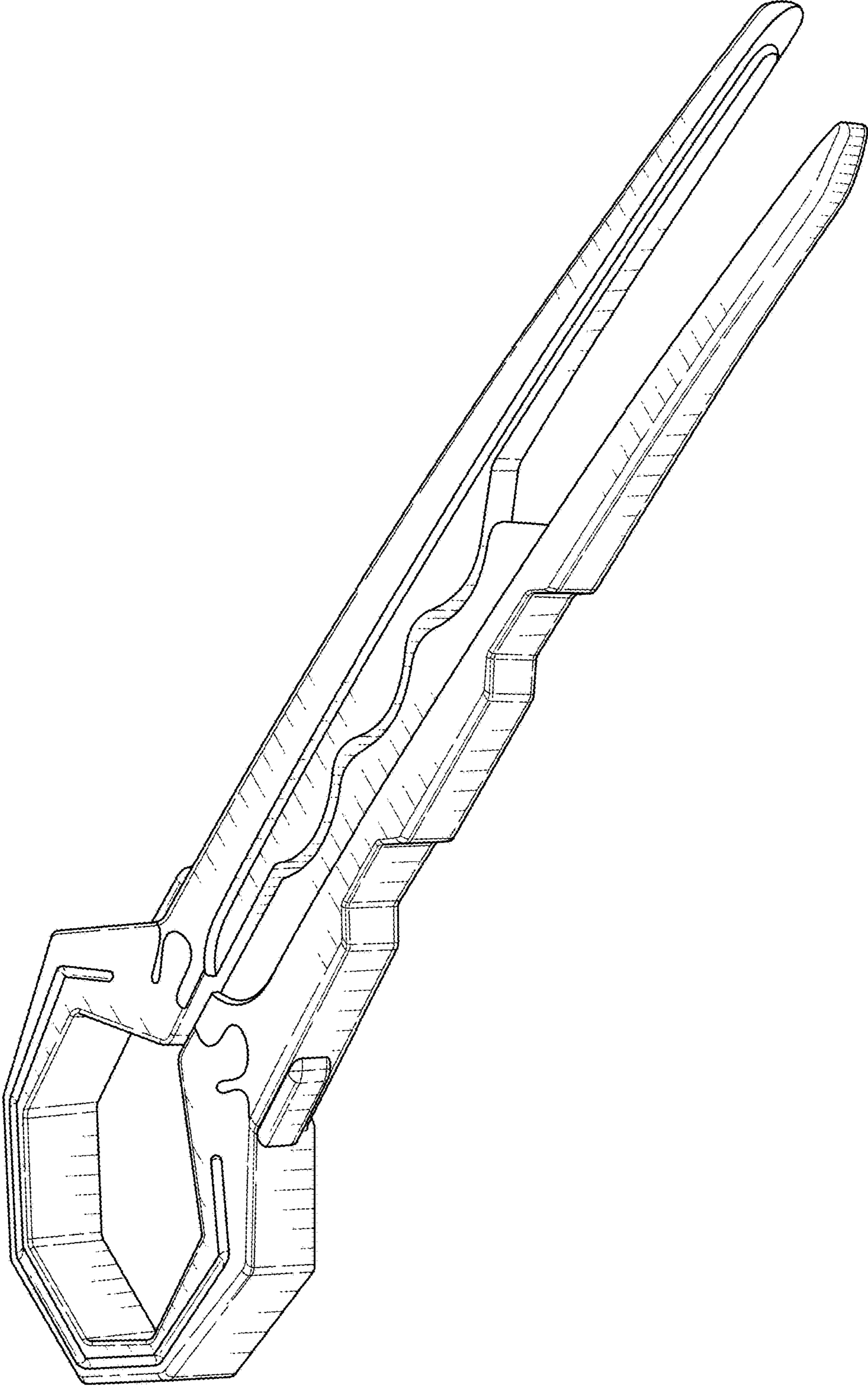


FIG. 8

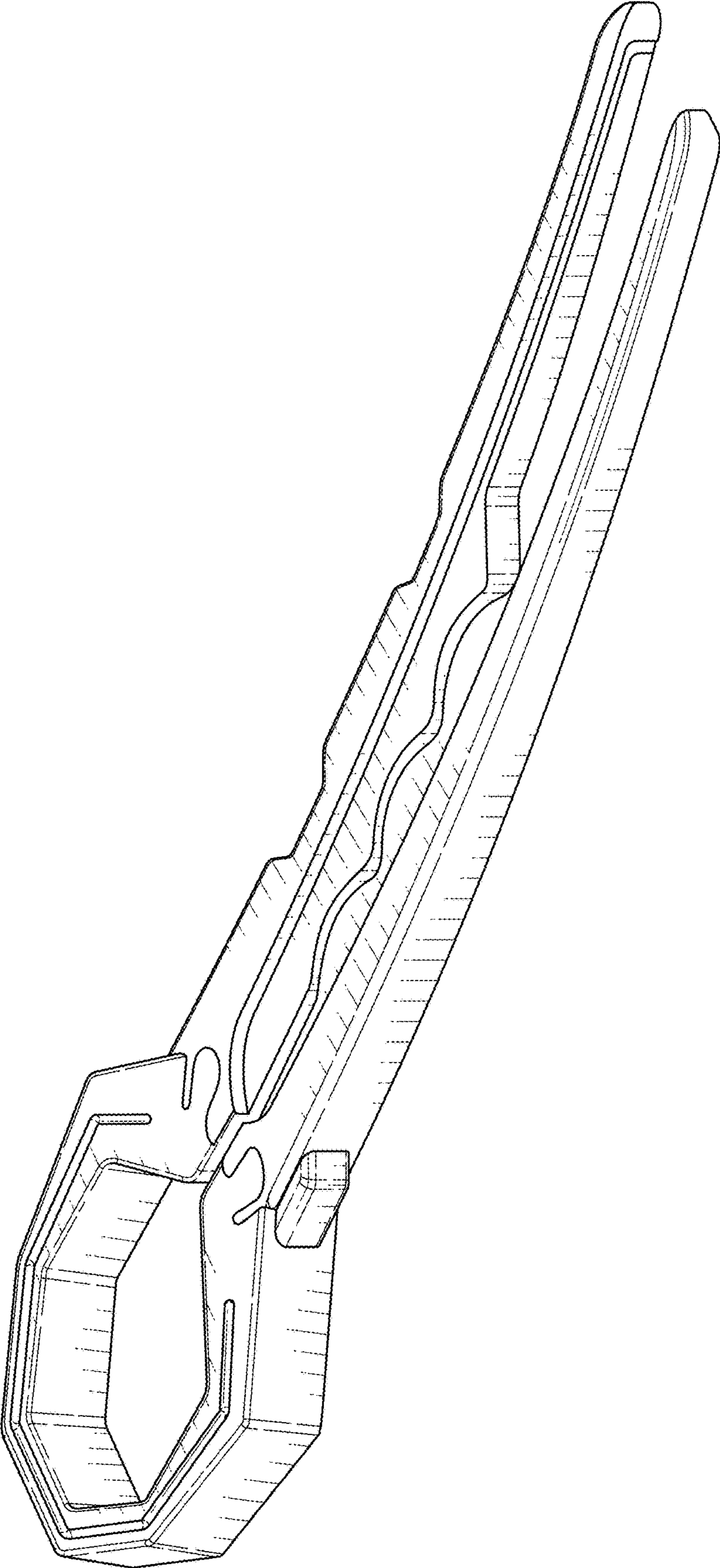


FIG. 9

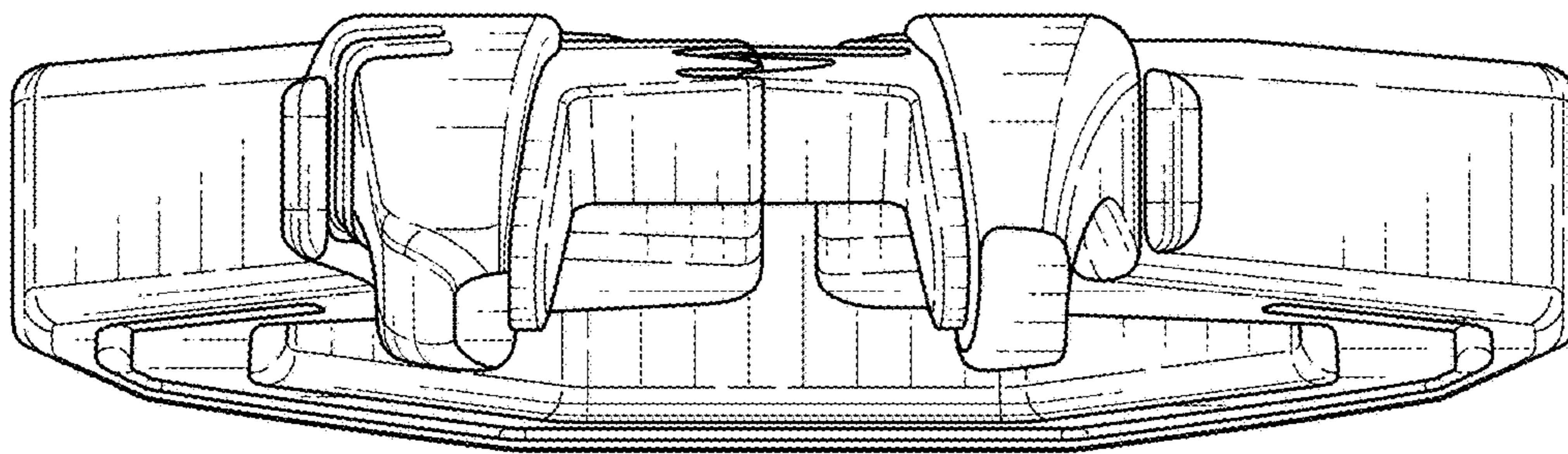


FIG. 10

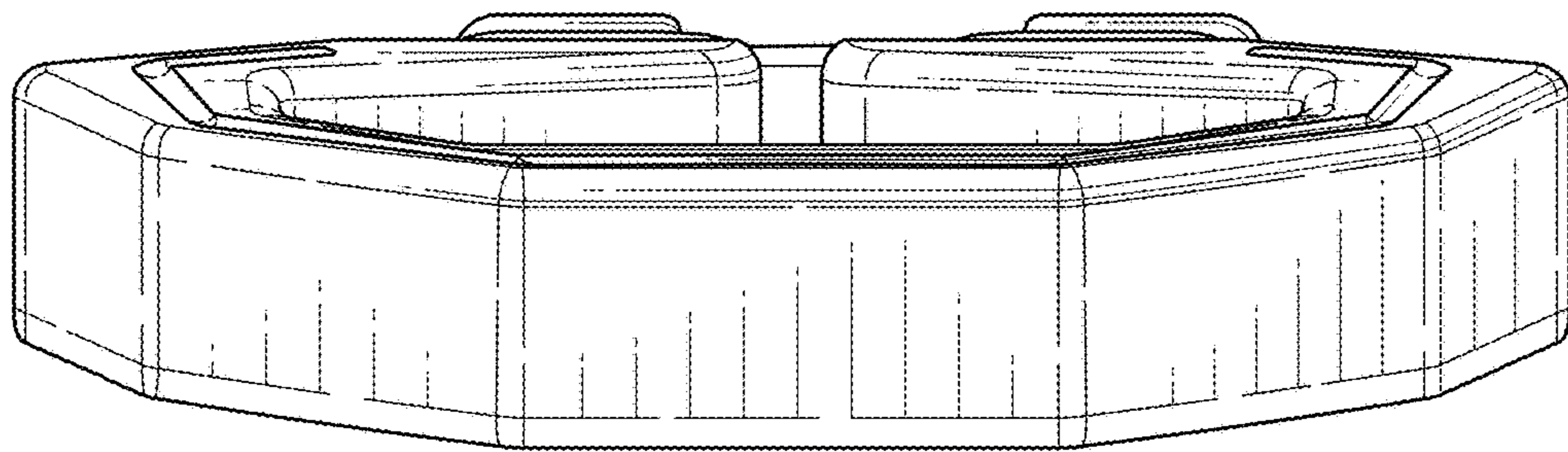


FIG. 11

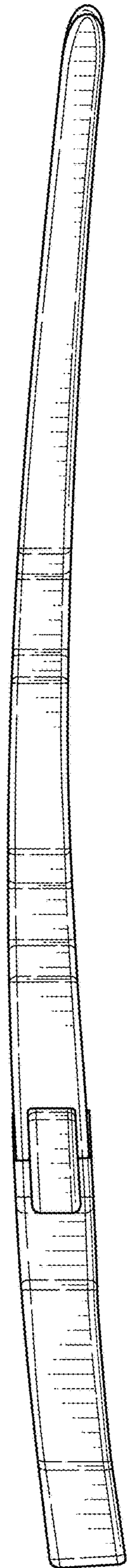


FIG. 12

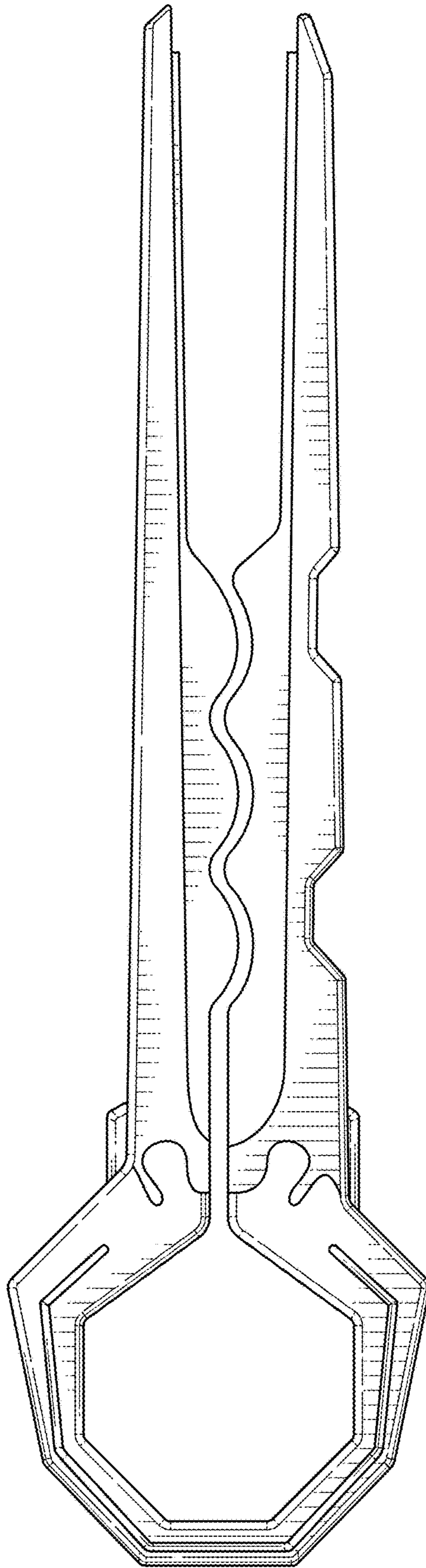


FIG. 13

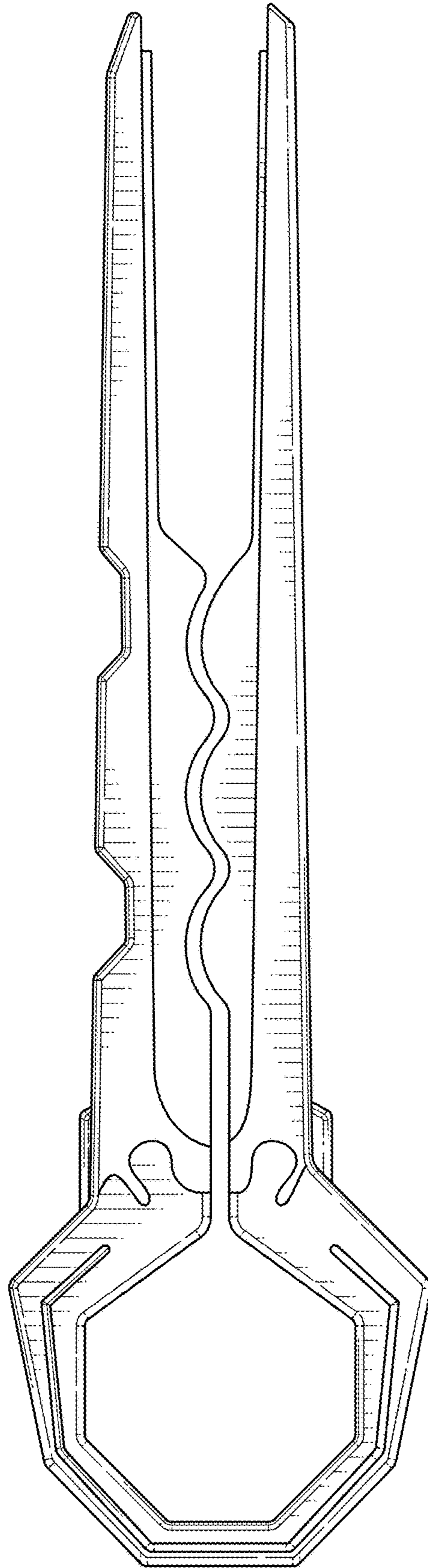


FIG. 14