



US00D824587S

(12) **United States Design Patent**  
**Dutton et al.**

(10) **Patent No.:** **US D824,587 S**  
(45) **Date of Patent:** **\*\* Jul. 31, 2018**

- (54) **APPLICATOR FOR PERSONAL CARE**
- (71) Applicant: **AVON PRODUCTS, INC.**, Suffern, NY (US)
- (72) Inventors: **Simon Dutton**, New City, NY (US);  
**John Prizzi, Jr.**, Wyckoff, NJ (US)
- (73) Assignee: **Avon Products, Inc.**, Rye, NY (US)
- (\*\*) Term: **15 Years**
- (21) Appl. No.: **29/568,451**
- (22) Filed: **Jun. 17, 2016**
- (51) **LOC (11) Cl.** ..... **28-02**
- (52) **U.S. Cl.**  
USPC ..... **D28/7**
- (58) **Field of Classification Search**  
USPC ..... D9/521, 529, 726, 737-738, 757, 900;  
D3/203.1, 203.2, 245, 901, 283, 295;  
(Continued)

(56) **References Cited**

**U.S. PATENT DOCUMENTS**

- D44,764 S 10/1913 Haley
- D233,879 S \* 12/1974 Howard ..... D28/7  
(Continued)

**FOREIGN PATENT DOCUMENTS**

- CN 301487541 S 3/2011
- CN 301680497 S 9/2011
- CN 302046383 S 8/2012

**OTHER PUBLICATIONS**

Search Report to corresponding Taiwanese Design Patent Application No. 105307680 completed Jun. 3, 2017 (1 page).  
(Continued)

*Primary Examiner* — Shannon W Morgan

(74) *Attorney, Agent, or Firm* — Brian P. McCloskey; Elizabeth Morters

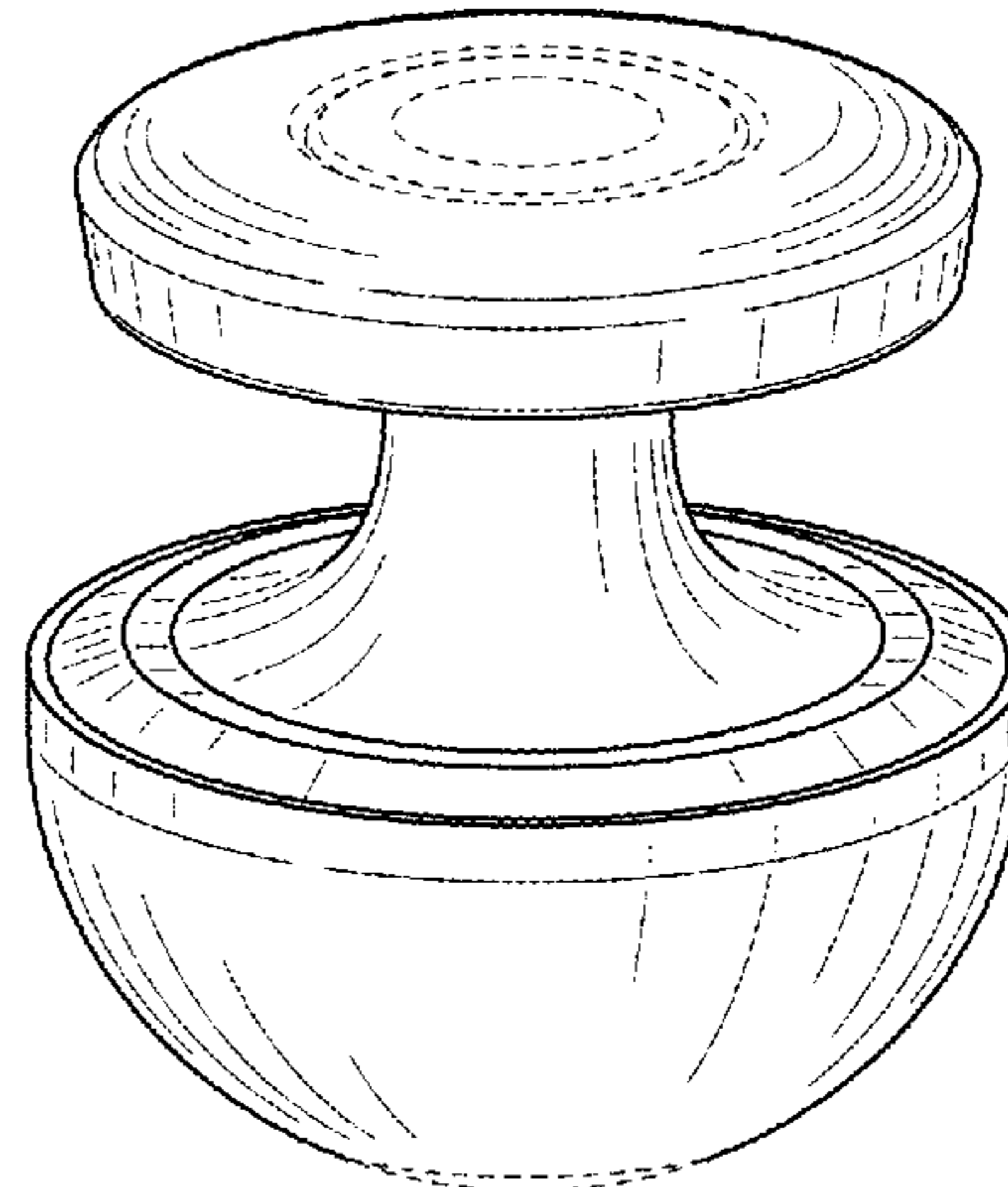
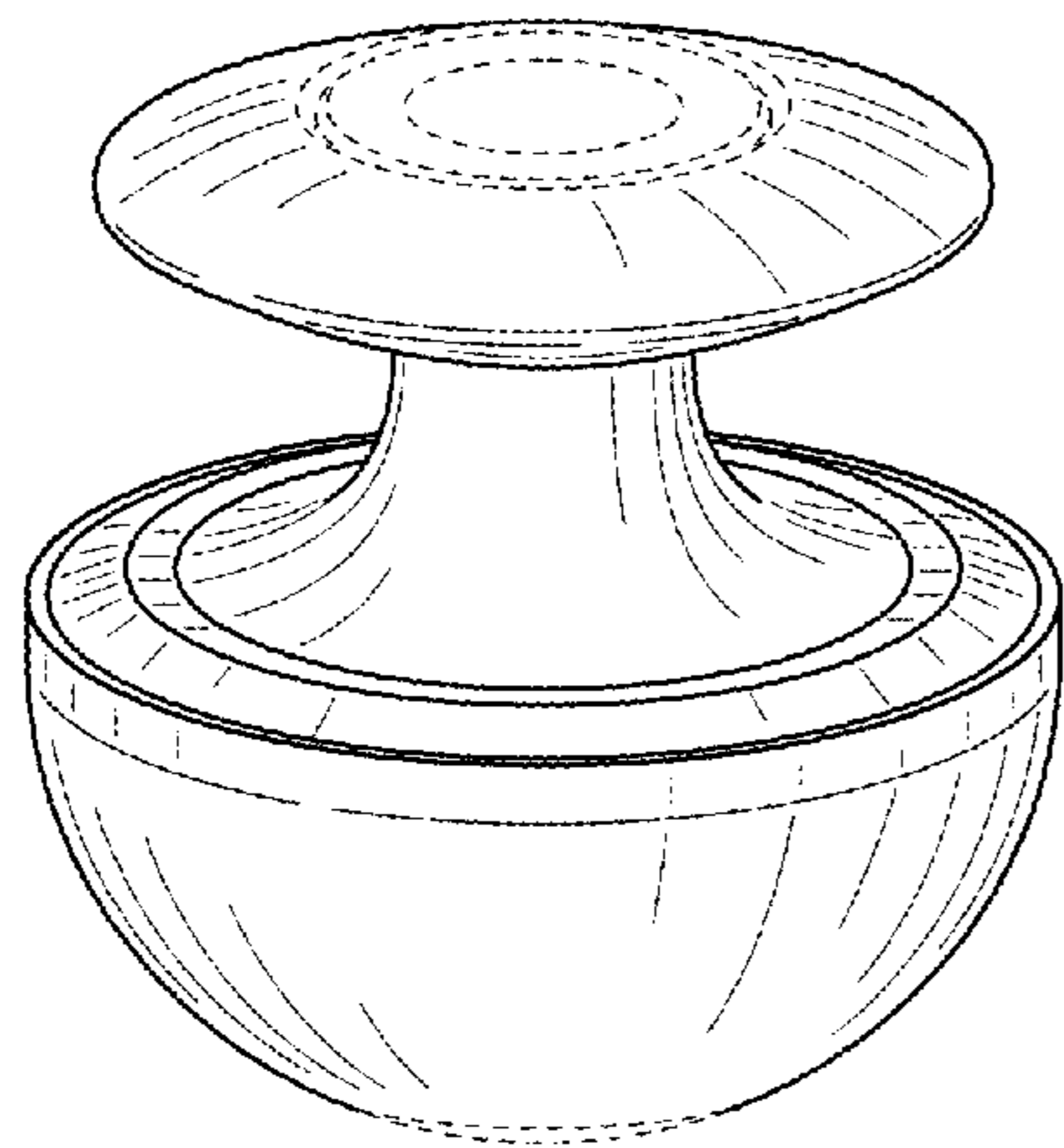
(57) **CLAIM**

The ornamental design for an applicator for personal care, as shown and described.

**DESCRIPTION**

FIG. 1 is a perspective view of a first embodiment of the ornamental design for an applicator for personal care. FIG. 2 is a front view of the applicator for personal care of FIG. 1. FIG. 3 is a back view of the applicator for personal care of FIG. 1. FIG. 4 is a view from the left of the applicator for personal care of FIG. 1. FIG. 5 is a view from the right of the applicator for personal care of FIG. 1. FIG. 6 is a top view of the applicator for personal care of FIG. 1. FIG. 7 is a bottom view of the applicator for personal care of FIG. 1. FIG. 8 is a perspective view of a second embodiment of the ornamental design for an applicator for personal care. FIG. 9 is a front view of the applicator for personal care of FIG. 8. FIG. 10 is a back view of the applicator for personal care of FIG. 8. FIG. 11 is a view from the left of the applicator for personal care of FIG. 8. FIG. 12 is a view from the right of the applicator for personal care of FIG. 8. FIG. 13 is a top view of the applicator for personal care of FIG. 8; and, FIG. 14 is a bottom view of the applicator for personal care of FIG. 8. The broken lines shown in the figures depict portions of the applicator for personal care that form no part of the claimed design.

**1 Claim, 8 Drawing Sheets**



(58) **Field of Classification Search**

USPC ..... D7/503, 504, 608, 631, 632; D21/419,  
D21/455, 460, 680–682; D28/7, 73, 75,  
D28/77, 78, 83, 88, 91, 93; D24/119,  
D24/121, 133, 231–232, 106; D99/34;  
D19/9, 12  
CPC .... A45D 34/041; A45D 34/045; A45D 40/24;  
A45D 40/30; A45D 8/18; A45D 8/185;  
A45D 8/00; B05C 17/002; A41G 5/0073;  
A41G 5/02; A41G 3/0016; A41G 3/0041;  
A41G 5/0093; A44B 9/06; A44C 5/0046  
See application file for complete search history.

(56) **References Cited**

U.S. PATENT DOCUMENTS

3,873,087 A \* 3/1975 Burkart ..... A63G 1/12  
472/19  
4,234,152 A \* 11/1980 Browse ..... A47C 3/24  
248/406.2  
D287,339 S 12/1986 Dominski  
4,811,726 A 3/1989 Goncalves et al.  
D308,939 S 7/1990 Desgrippes  
D328,168 S 7/1992 Bartle  
D346,040 S \* 4/1994 Andregg ..... D28/7  
D389,574 S \* 1/1998 Emerson ..... D24/133  
D419,719 S \* 1/2000 Garcia ..... D28/7  
D421,906 S 3/2000 Jauffret  
D428,577 S 7/2000 Shanahan  
D450,153 S \* 11/2001 Knieriemen ..... D28/7  
D451,671 S 12/2001 Wolf  
D462,402 S \* 9/2002 Makhotkin ..... D21/460  
D484,646 S 12/2003 Ditrichstein  
6,808,457 B1 \* 10/2004 Paukert ..... A63G 1/16  
297/180.15  
D524,938 S \* 7/2006 Schreiber ..... D24/106  
D532,937 S 11/2006 Noh  
D540,689 S 4/2007 Dorfmuller  
D555,835 S 11/2007 Song  
D562,689 S 2/2008 Antretter  
D582,291 S 12/2008 de Baschmakoff  
D584,639 S 1/2009 Antretter  
D630,514 S 1/2011 Niikura et al.

D636,037 S \* 4/2011 Chuang ..... D21/682  
D640,133 S 6/2011 Jones et al.  
D641,245 S 7/2011 Rodriguez et al.  
D649,738 S 12/2011 Hollmann  
D655,612 S 3/2012 Oge-Nichols  
D661,392 S \* 6/2012 McLain ..... D24/133  
D698,078 S \* 1/2014 Purizhansky ..... D28/7  
D708,790 S 7/2014 Schlatter  
D709,652 S 7/2014 Teller  
D711,236 S 8/2014 Friesen et al.  
D713,097 S \* 9/2014 Goswell ..... D28/7  
D734,894 S 7/2015 Schlatter  
D736,323 S \* 8/2015 Wai Shing ..... D21/419  
D737,689 S 9/2015 Monteparo  
D756,037 S 5/2016 Schlatter et al.  
D763,370 S \* 8/2016 Tung ..... D21/681  
D765,512 S \* 9/2016 Joulia ..... D28/7  
D772,481 S \* 11/2016 Paquet ..... D28/7  
D778,503 S 2/2017 Teller  
D779,737 S 2/2017 Salmon  
D783,306 S 4/2017 Gal  
D786,668 S 5/2017 Cornaglia  
D787,741 S \* 5/2017 Paquet ..... D28/7  
D789,515 S \* 6/2017 Salais, Sr. .... D24/106  
D792,223 S 7/2017 Kim  
9,763,509 B1 \* 9/2017 Dutton ..... A45D 34/04  
2005/0011895 A1 1/2005 Lin

OTHER PUBLICATIONS

“Box newel mounting kit,” [online], posted Mar. 2016, retrieved Sep. 6, 2017, retrieved from <<http://www.stairsupplies.com/product/box-newel-mounting-kit/>>.  
“BCW delux acrylic baseball holder display,” [online], posted Oct. 30, 2008, retrieved Sep. 6, 2017, retrieved from <[https://www.amazon.com/BCW-Deluxe-Acrylic-Baseball-Display/dp/B000LZI4PM/ref=cm\\_cr\\_arp+d\\_product\\_top?ie=UTF8](https://www.amazon.com/BCW-Deluxe-Acrylic-Baseball-Display/dp/B000LZI4PM/ref=cm_cr_arp+d_product_top?ie=UTF8)>.  
“Wood dapping block with two punches,” [online], posted Jan. 23, 2014, retrieved Sep. 6, 2017, retrieved from <[https://www.etsy.com/listing/169479010/wood-dapping-block-with-two-punches?ga\\_order=most\\_relevant&ga\\_search\\_type=all&ga\\_view\\_type=gallery&ga\\_search\\_query=wood%20dapping%20block&ref=sr\\_gallery\\_1](https://www.etsy.com/listing/169479010/wood-dapping-block-with-two-punches?ga_order=most_relevant&ga_search_type=all&ga_view_type=gallery&ga_search_query=wood%20dapping%20block&ref=sr_gallery_1)>.

\* cited by examiner

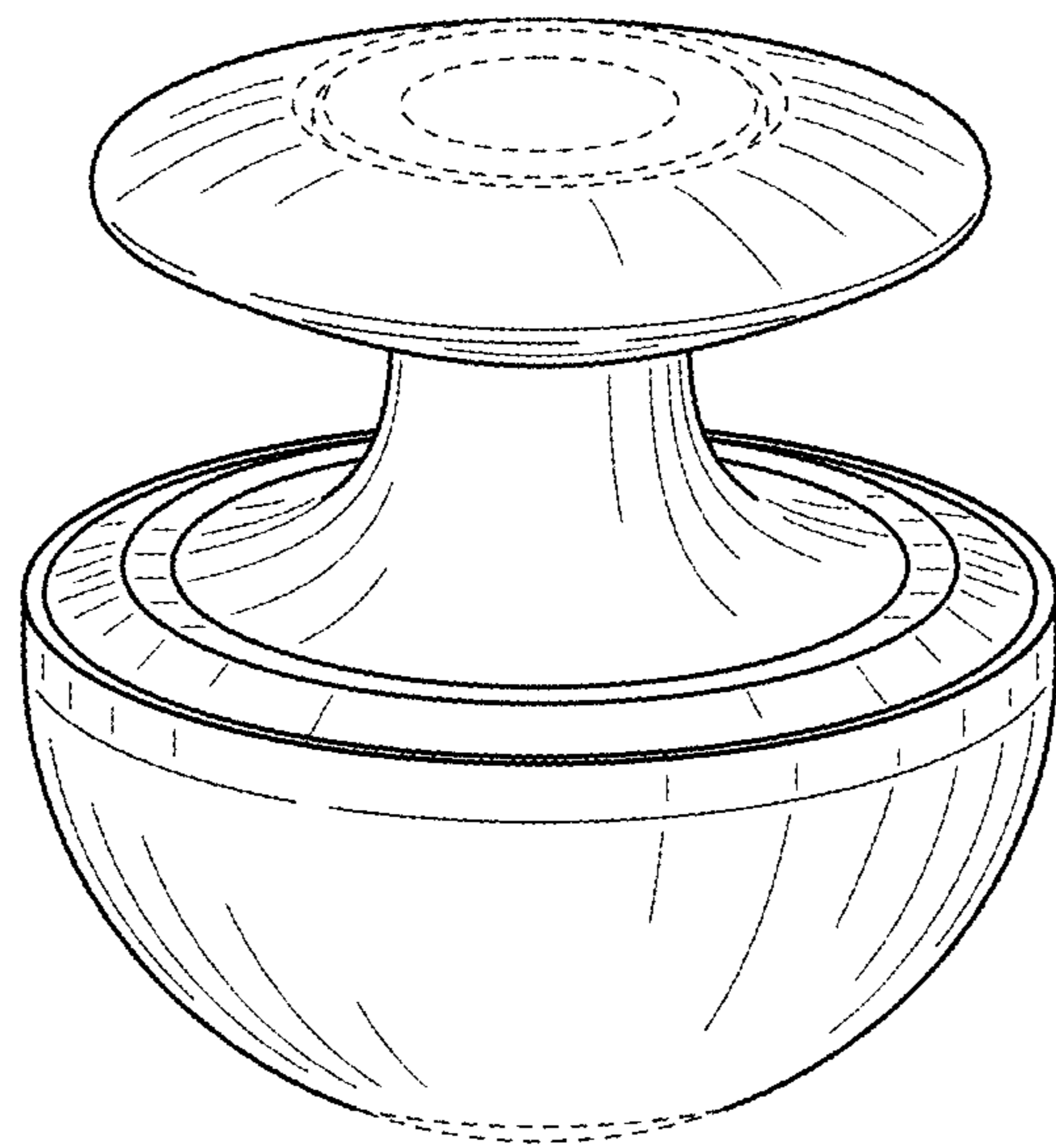


FIG. 1

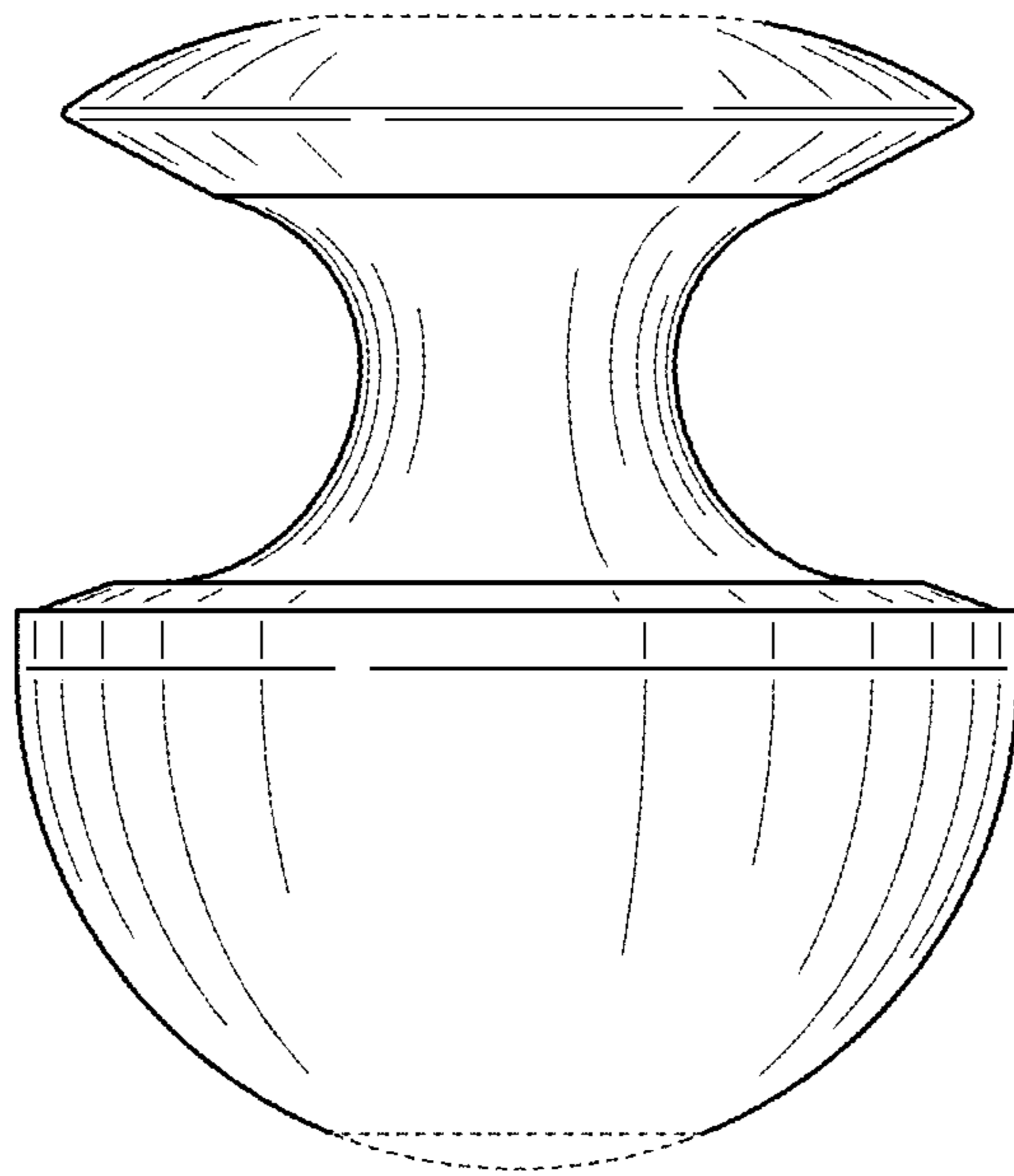


FIG. 2

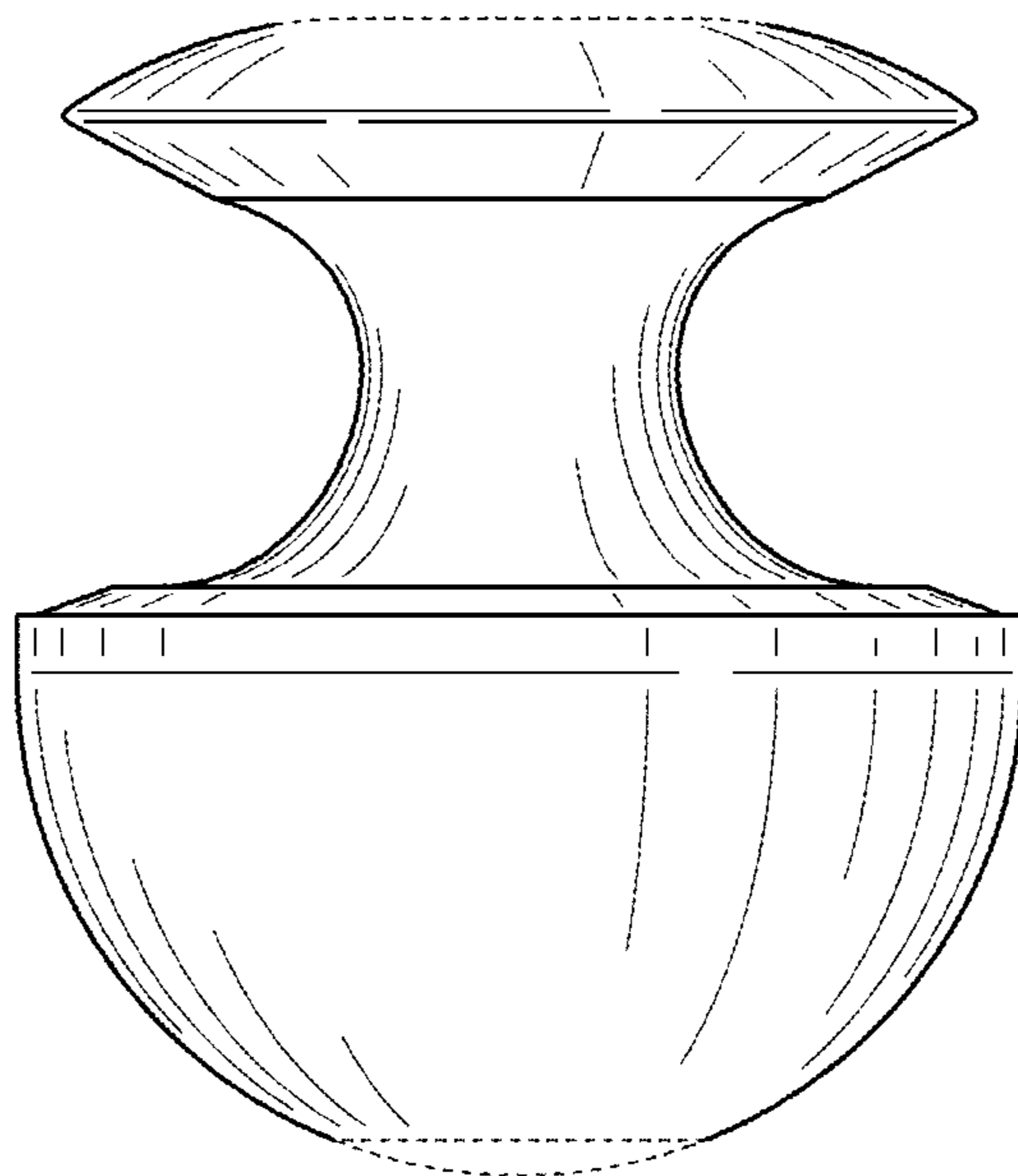


FIG. 3

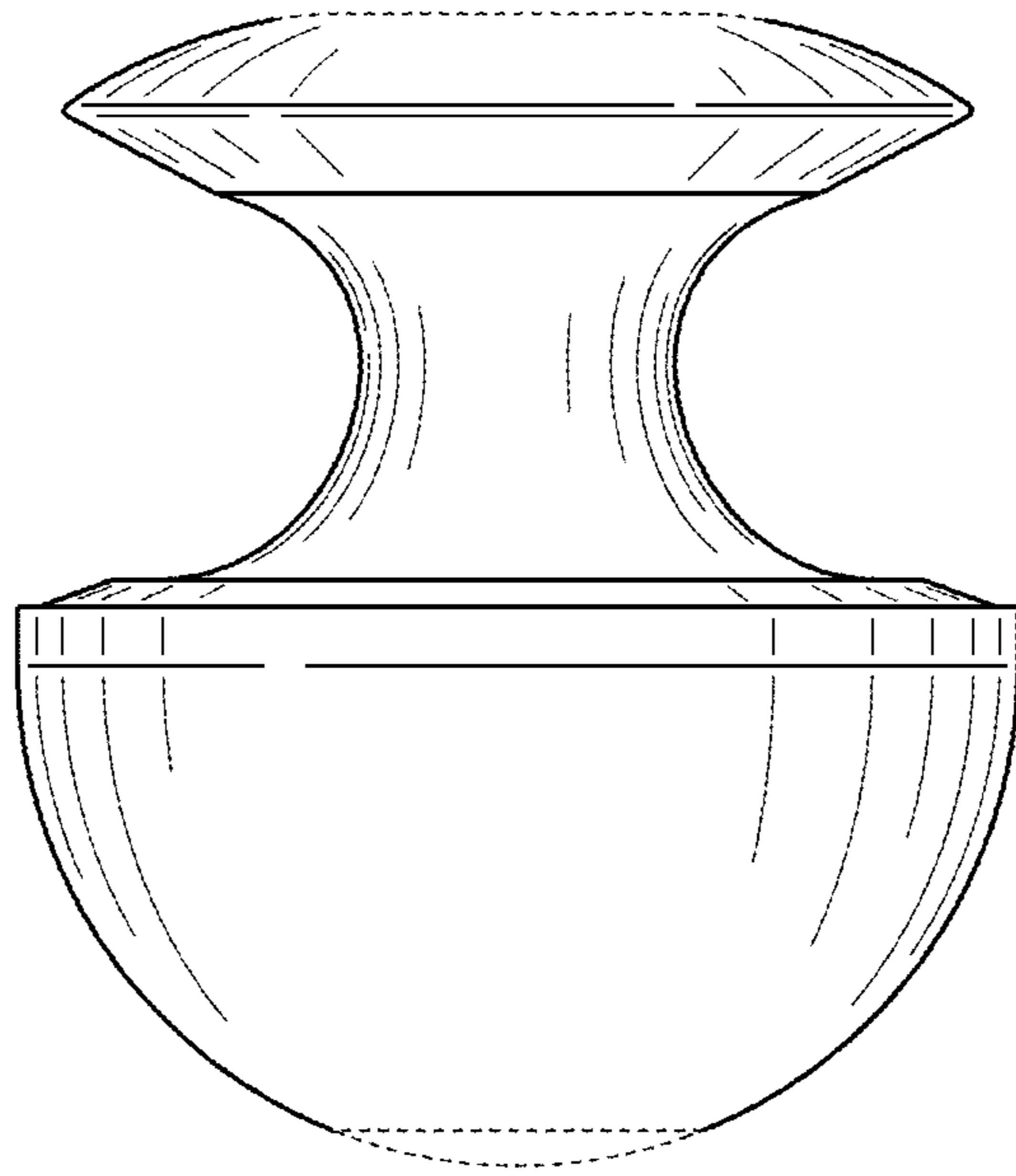


FIG. 4

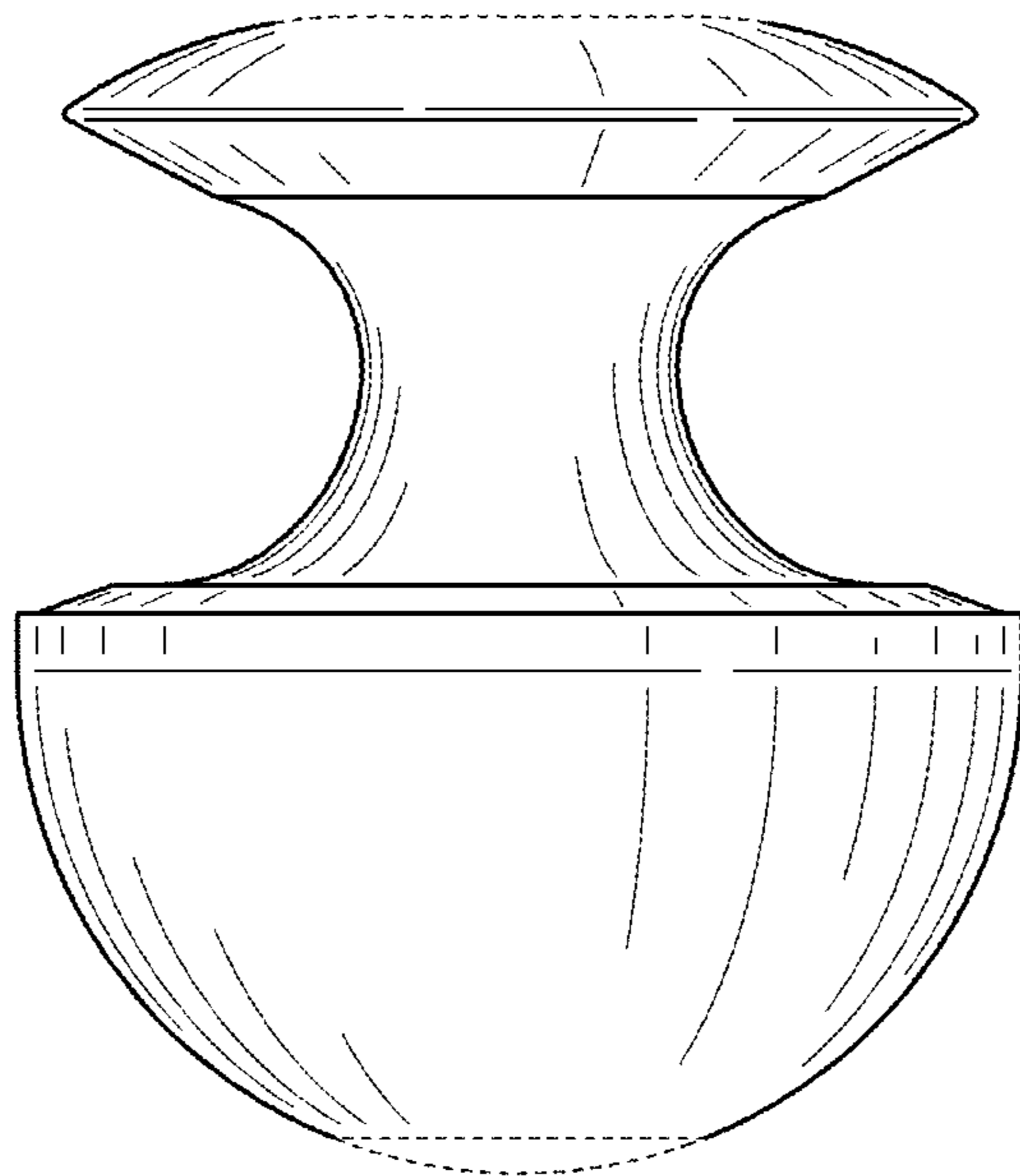


FIG. 5

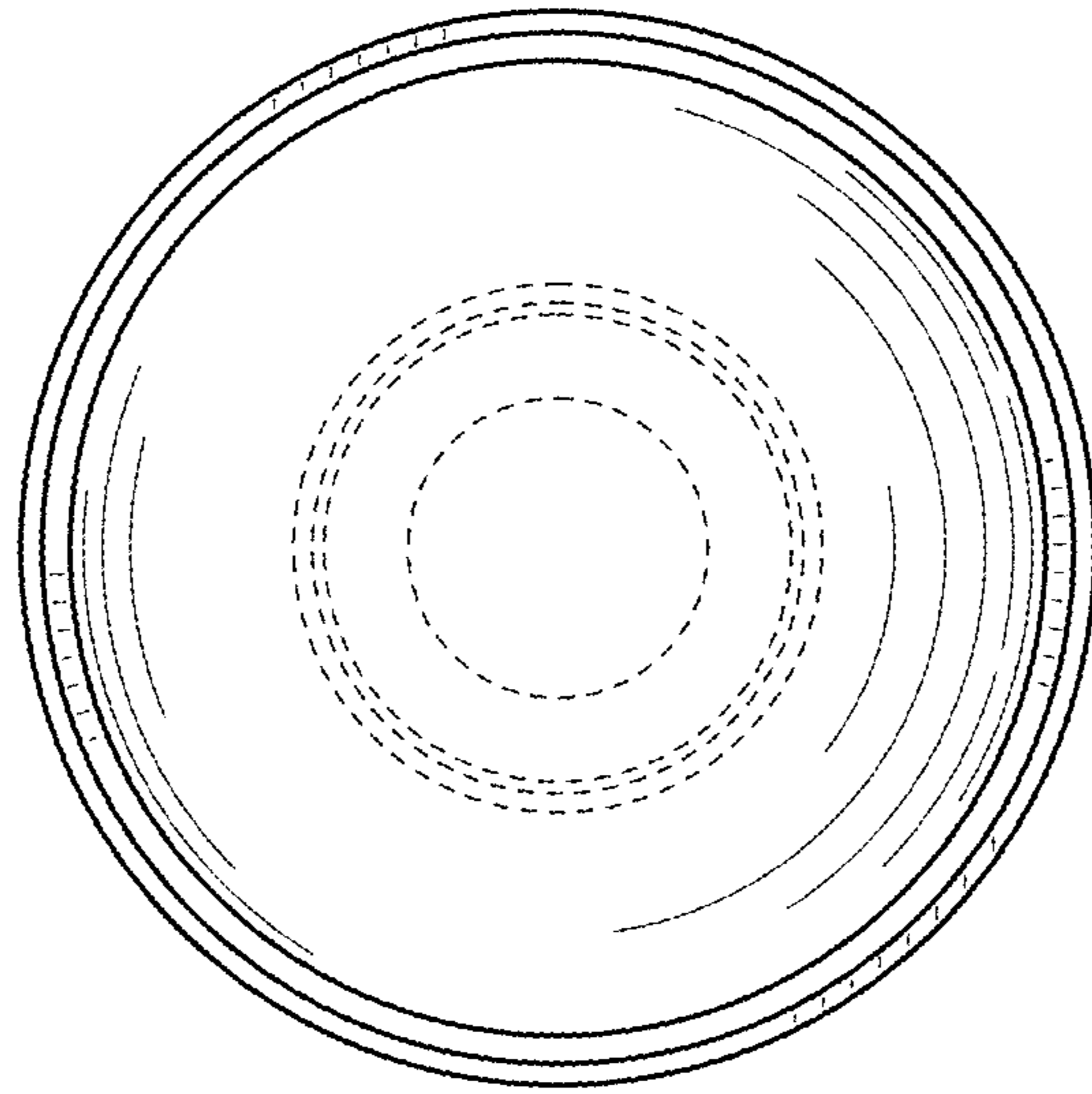


FIG. 6

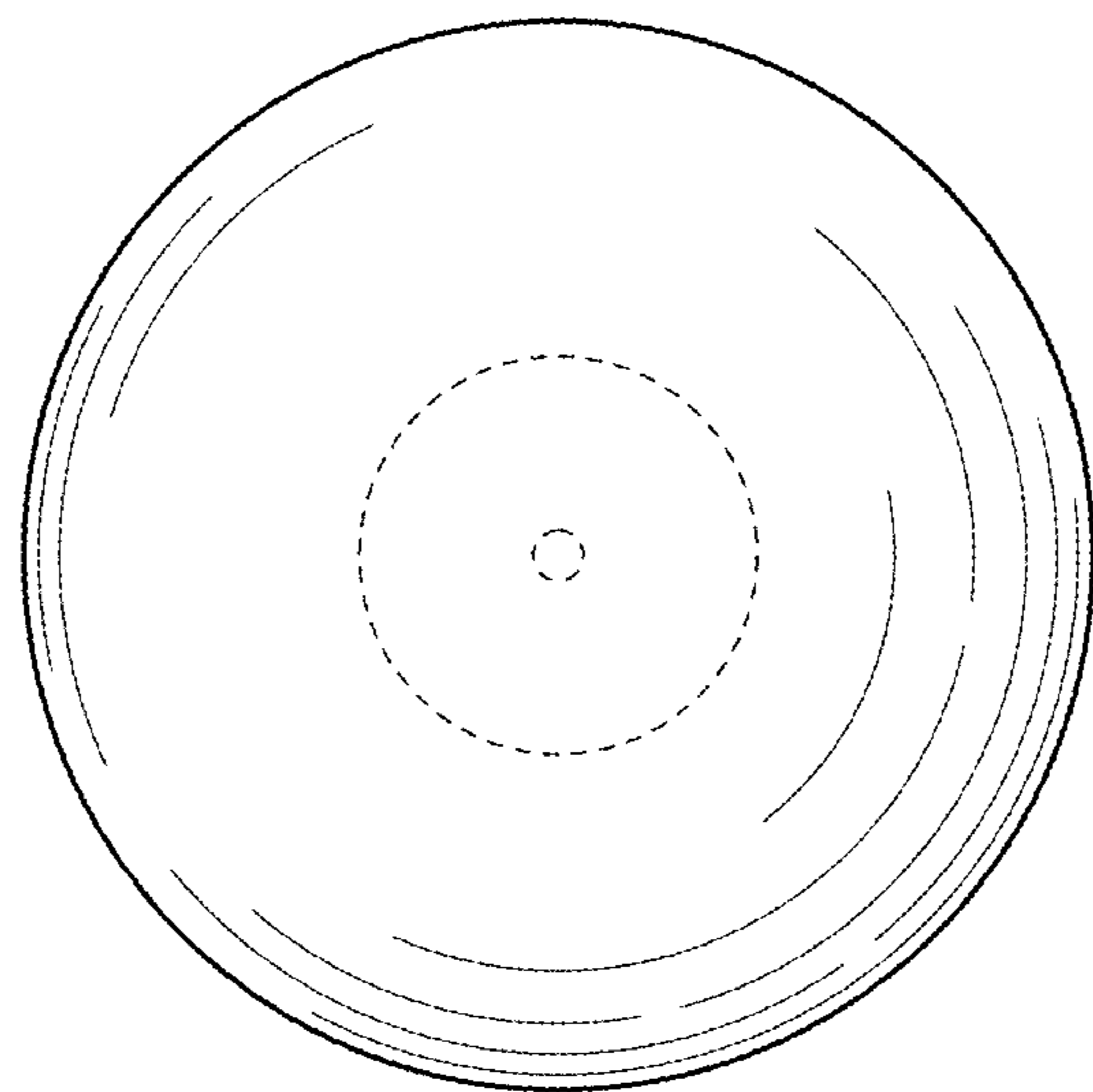


FIG. 7

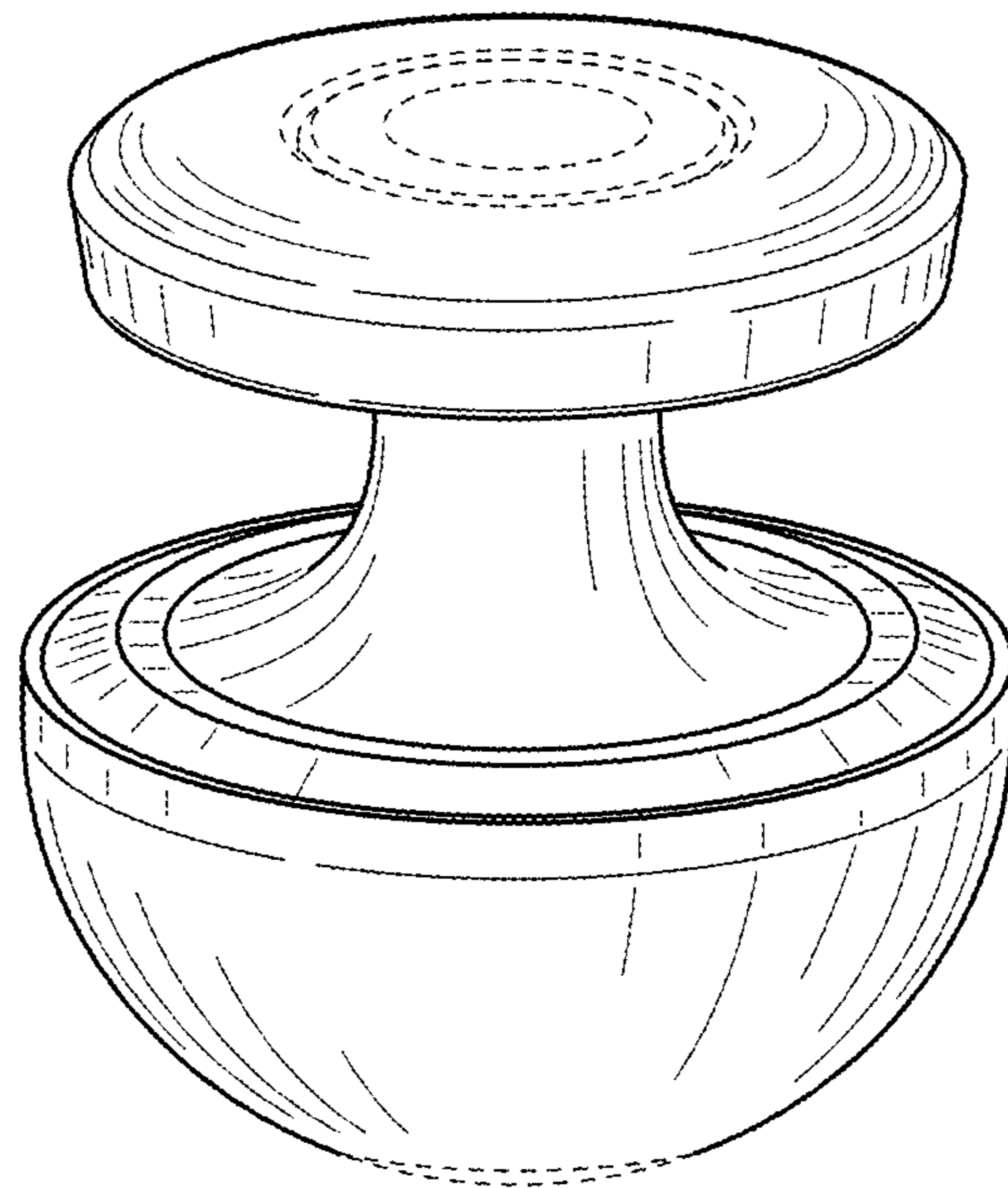


FIG. 8

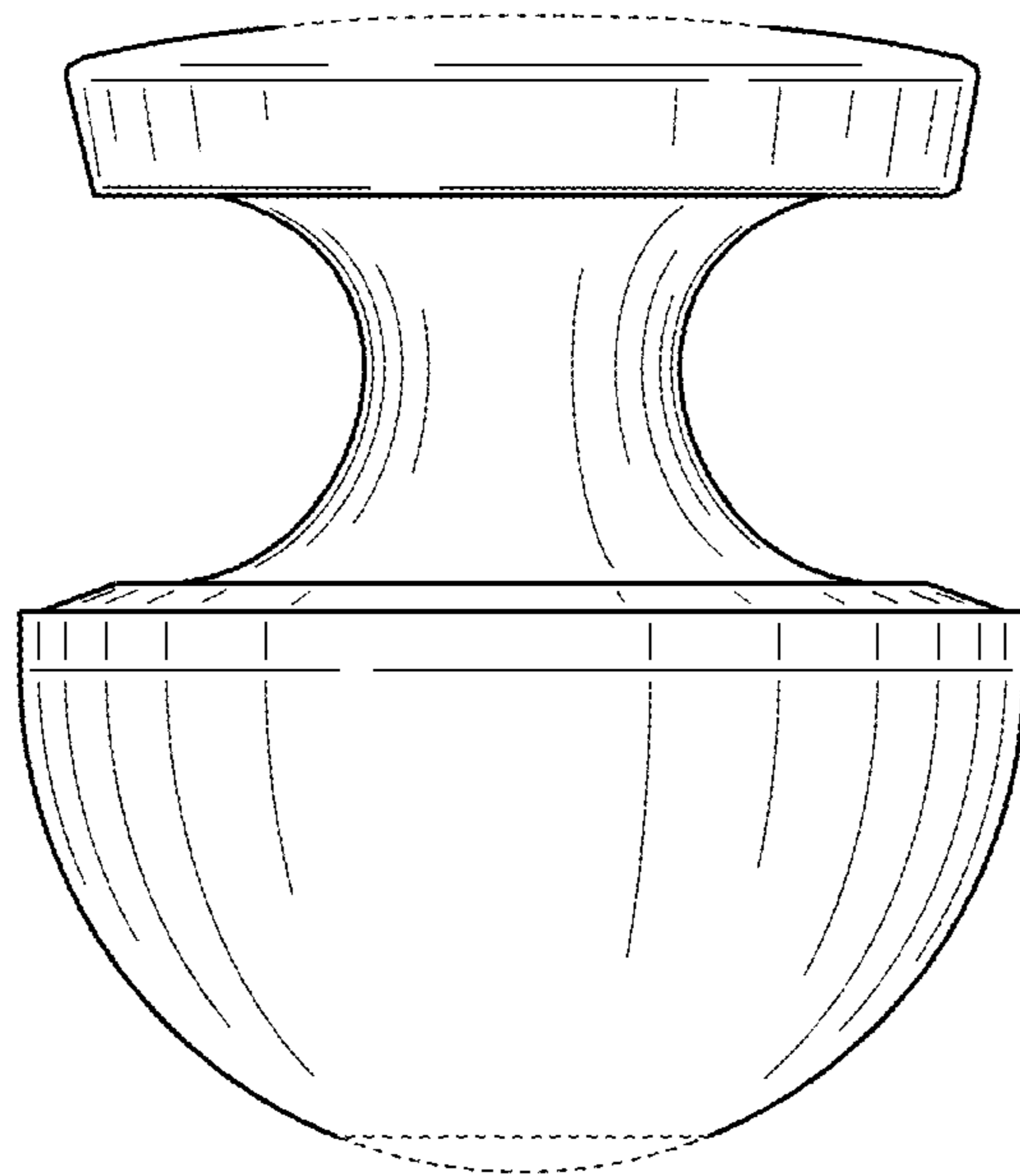


FIG. 9

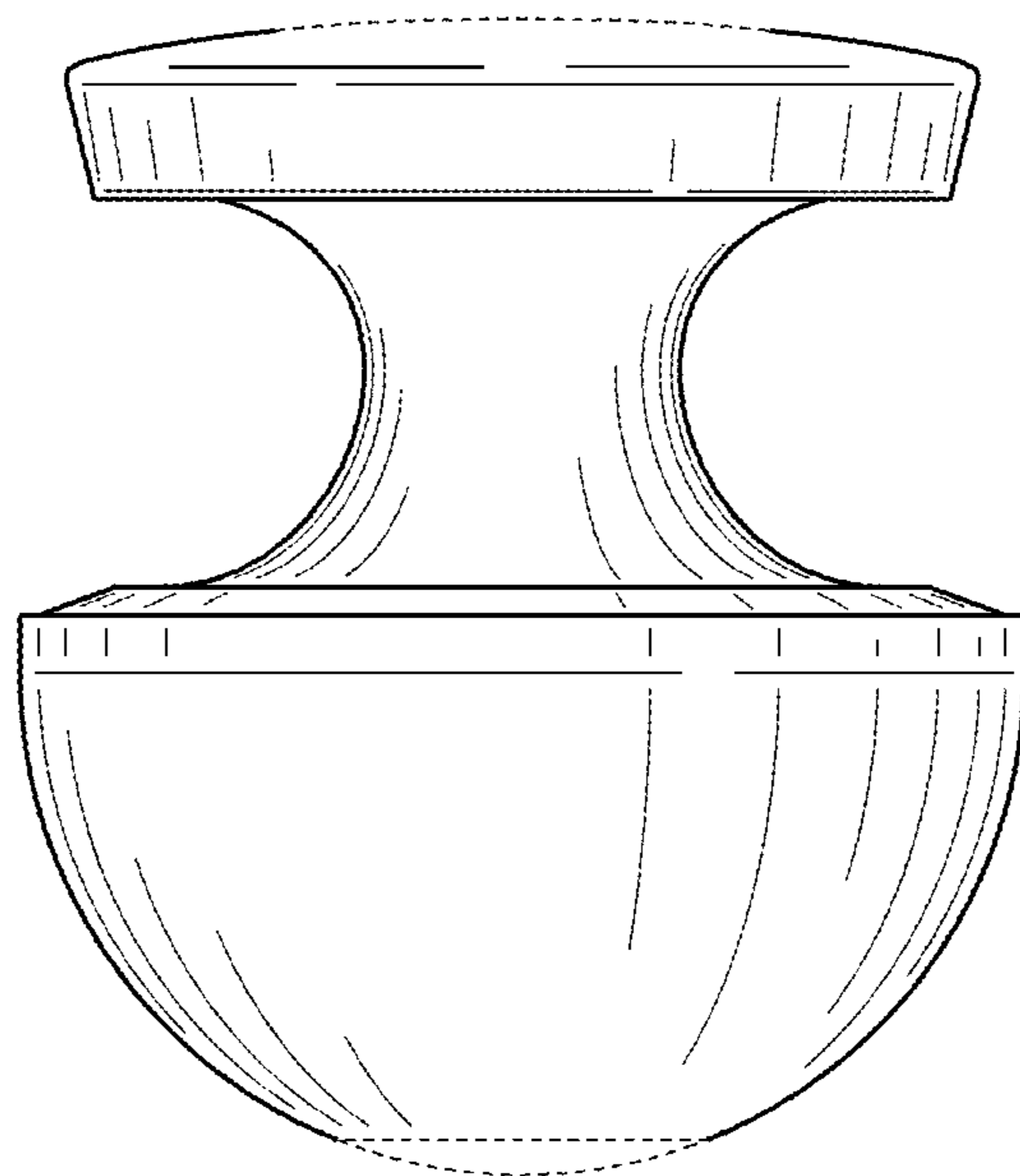


FIG. 10



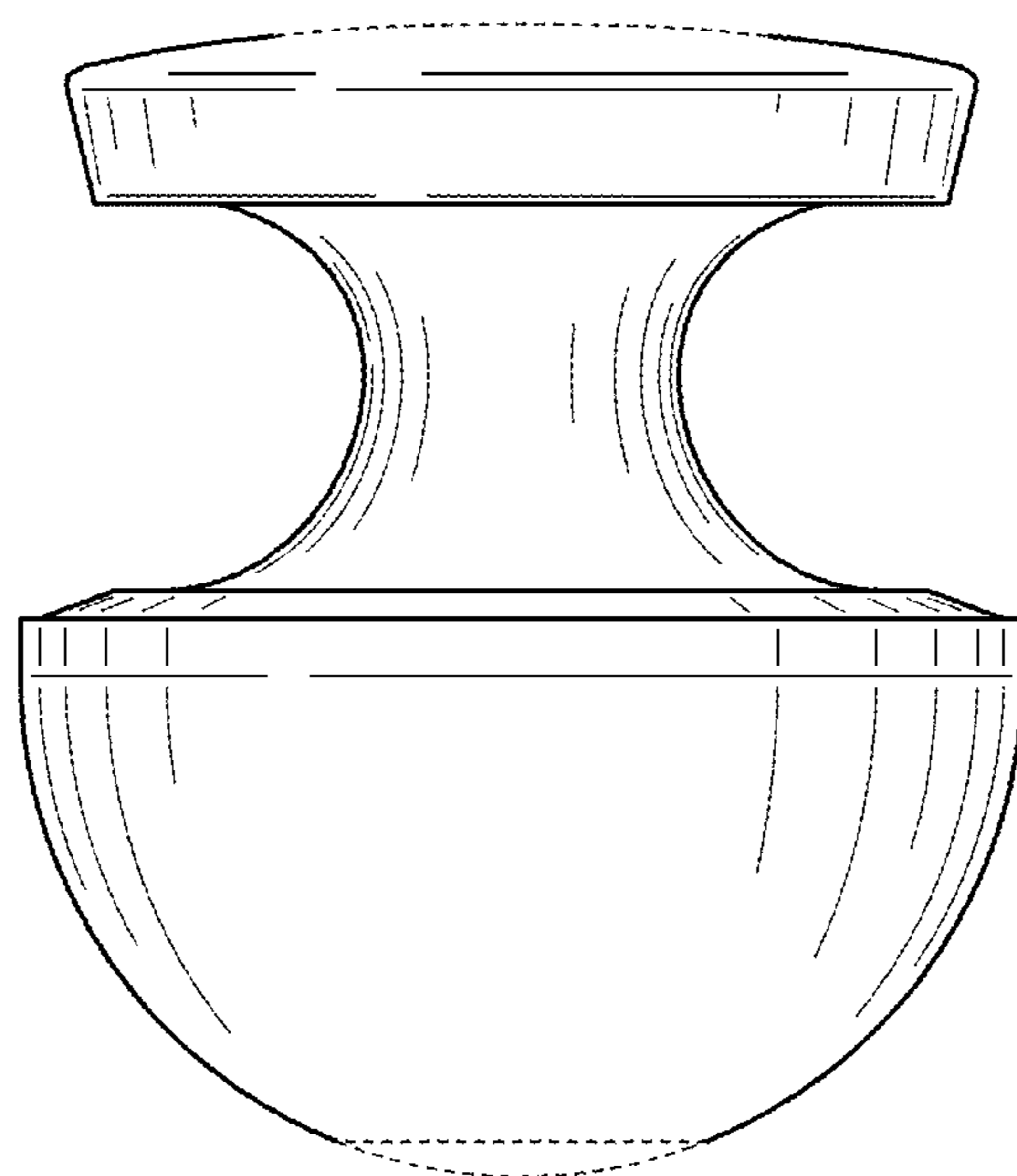


FIG. 11

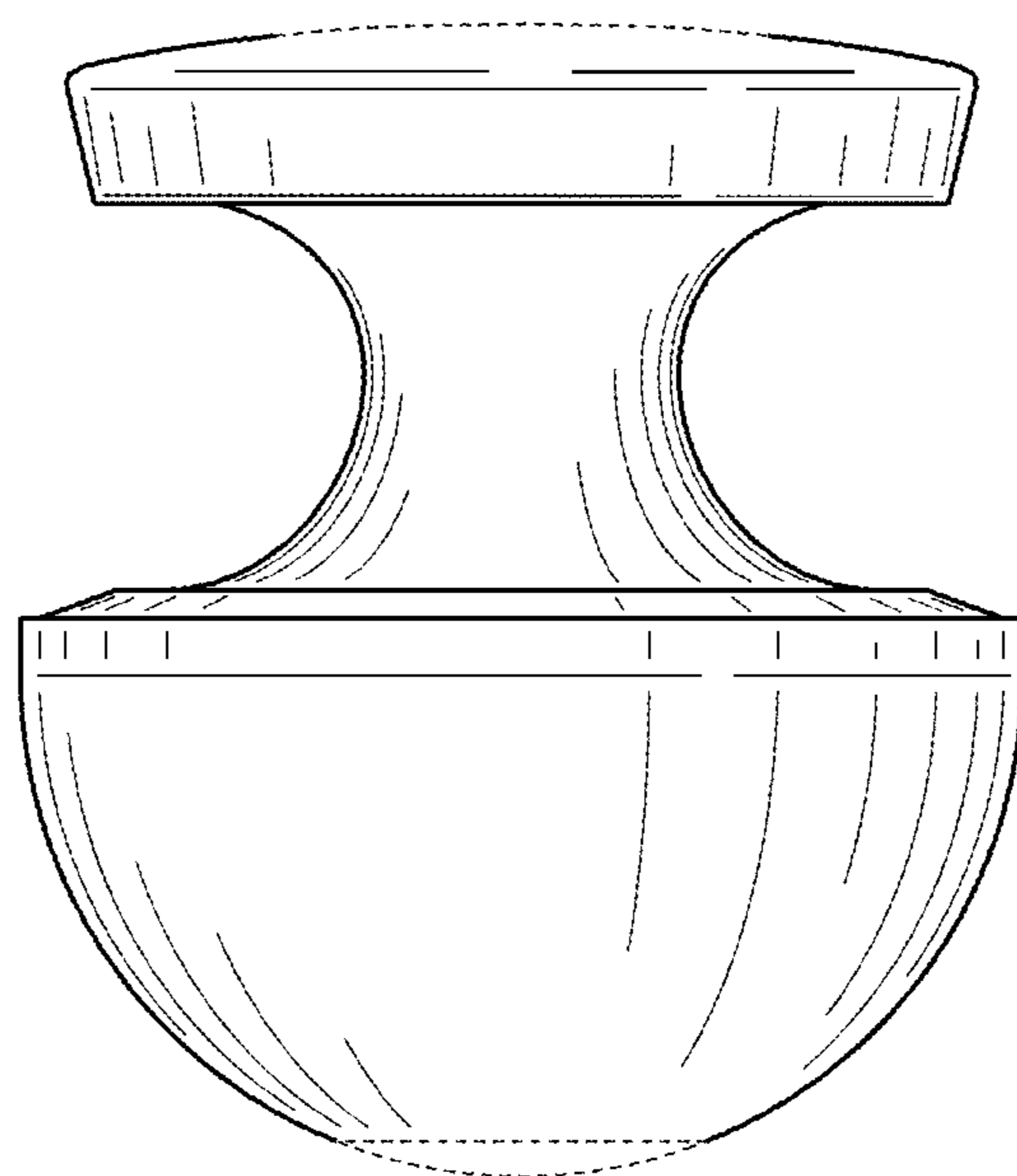
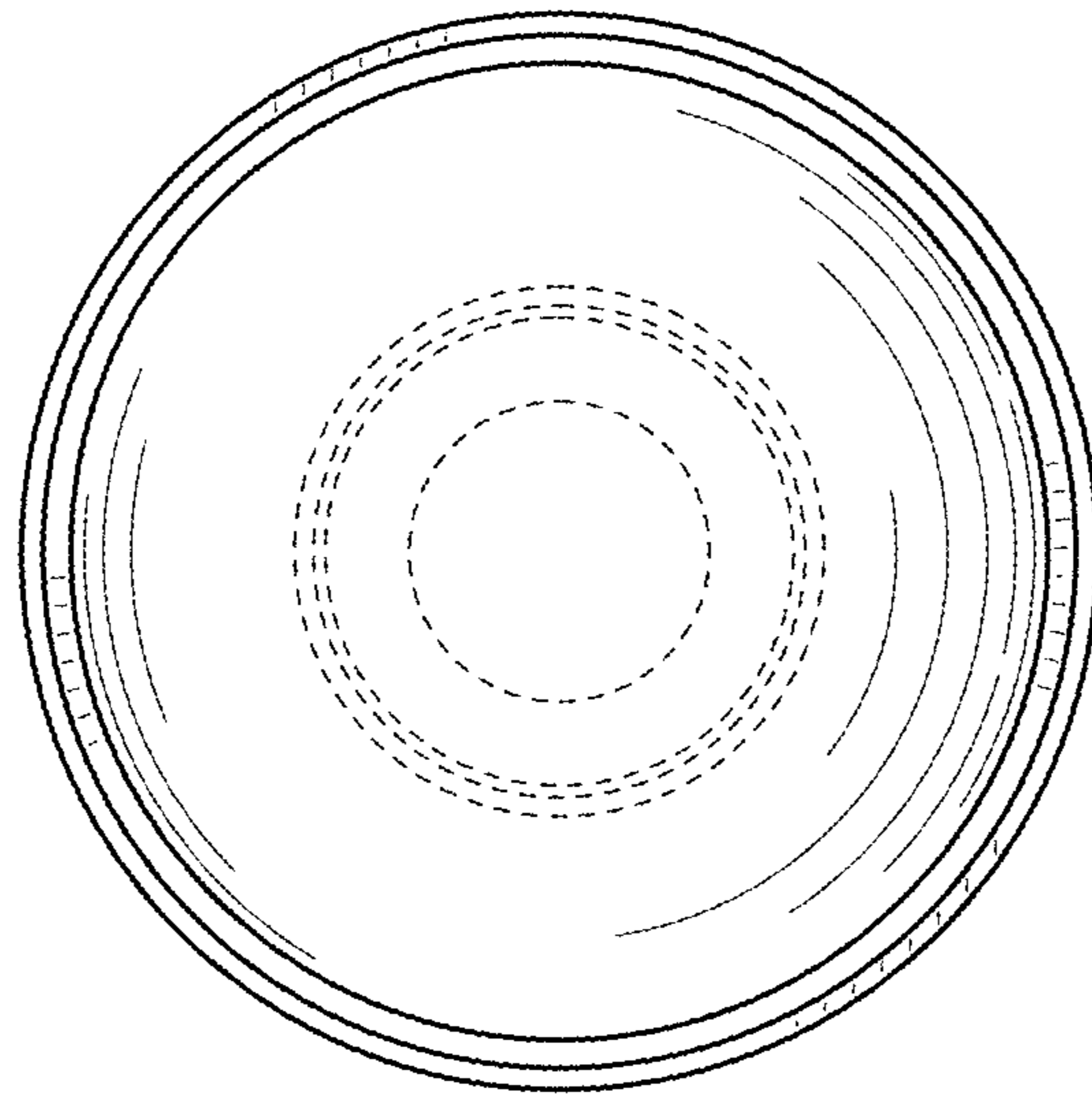
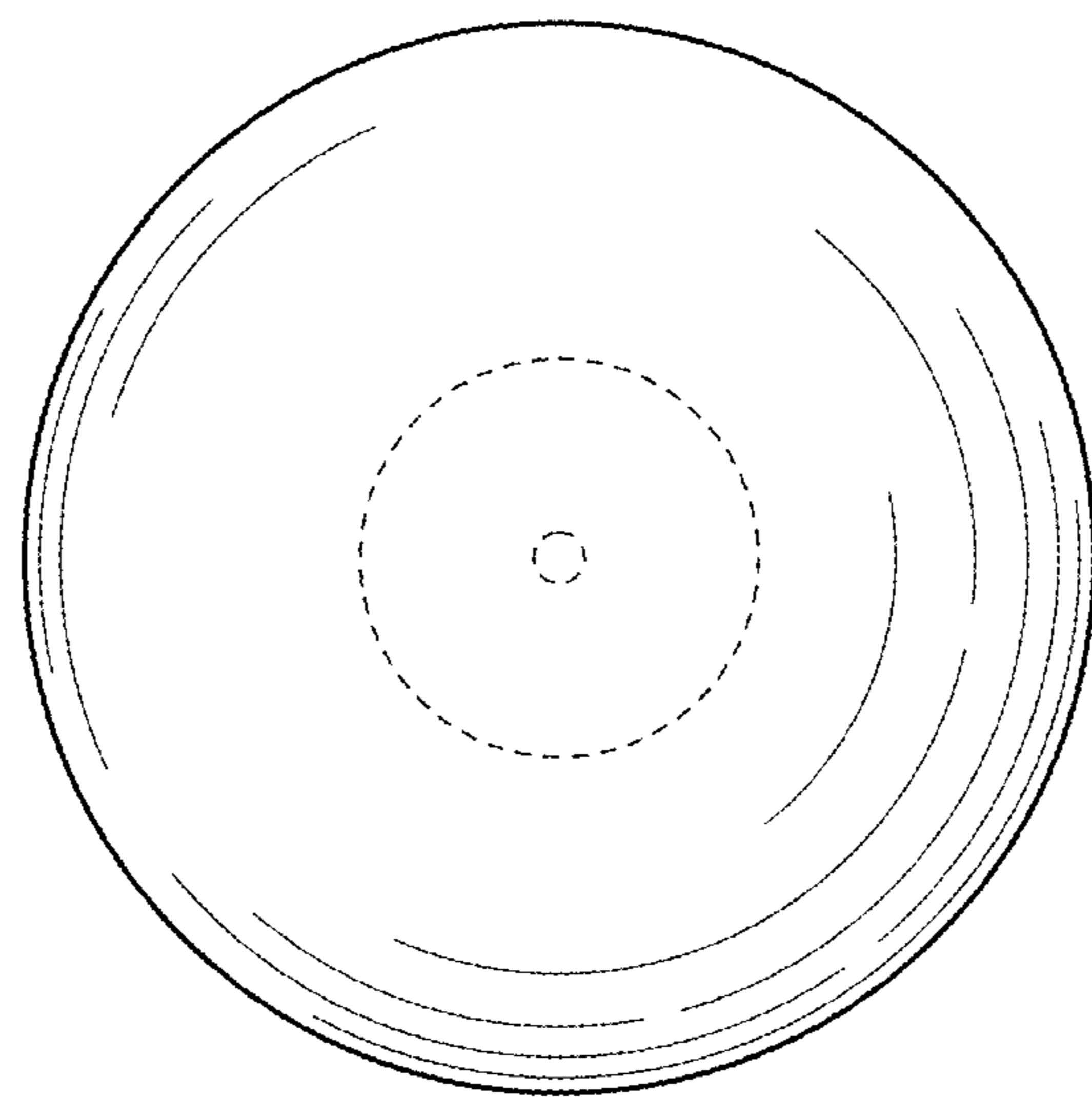


FIG. 12



**FIG. 13**



**FIG. 14**