



US00D824586S

(12) **United States Design Patent**  
**Fornarelli**

(10) **Patent No.:** **US D824,586 S**

(45) **Date of Patent:** **\*\* Jul. 31, 2018**

(54) **VAPOR TUBE**

(71) Applicant: **AVANZATO TECHNOLOGY CORP.**,  
Chicago, IL (US)

(72) Inventor: **Thomas Fornarelli**, Chicago, IL (US)

(73) Assignee: **AVANZATO TECHNOLOGY CORP.**,  
Chicago, IL (US)

(\*\*) Term: **15 Years**

(21) Appl. No.: **29/540,559**

(22) Filed: **Sep. 25, 2015**

(51) **LOC (11) Cl.** ..... **27-06**

(52) **U.S. Cl.**  
USPC ..... **D27/194; D27/162**

(58) **Field of Classification Search**  
USPC ..... D27/100, 101, 102, 162, 163, 164, 165,  
D27/166, 167, 168, 169, 170, 171, 172,  
D27/175, 180, 183, 184, 186, 187, 188,  
D27/189, 193, 194; D9/428, 454, 439  
CPC ..... A24F 47/002; A24F 7/00  
See application file for complete search history.

(56) **References Cited**

U.S. PATENT DOCUMENTS

D269,638 S \* 7/1983 Frye, Jr. .... D26/9  
D285,614 S \* 9/1986 Vanbragt ..... D26/11  
D290,514 S \* 6/1987 Boss ..... D26/11  
5,687,745 A \* 11/1997 Yalcin ..... A24F 13/06  
131/173

(Continued)

*Primary Examiner* — Brandon M Rosati

*Assistant Examiner* — Marissa J Cash

(74) *Attorney, Agent, or Firm* — Flener IP & Business  
Law

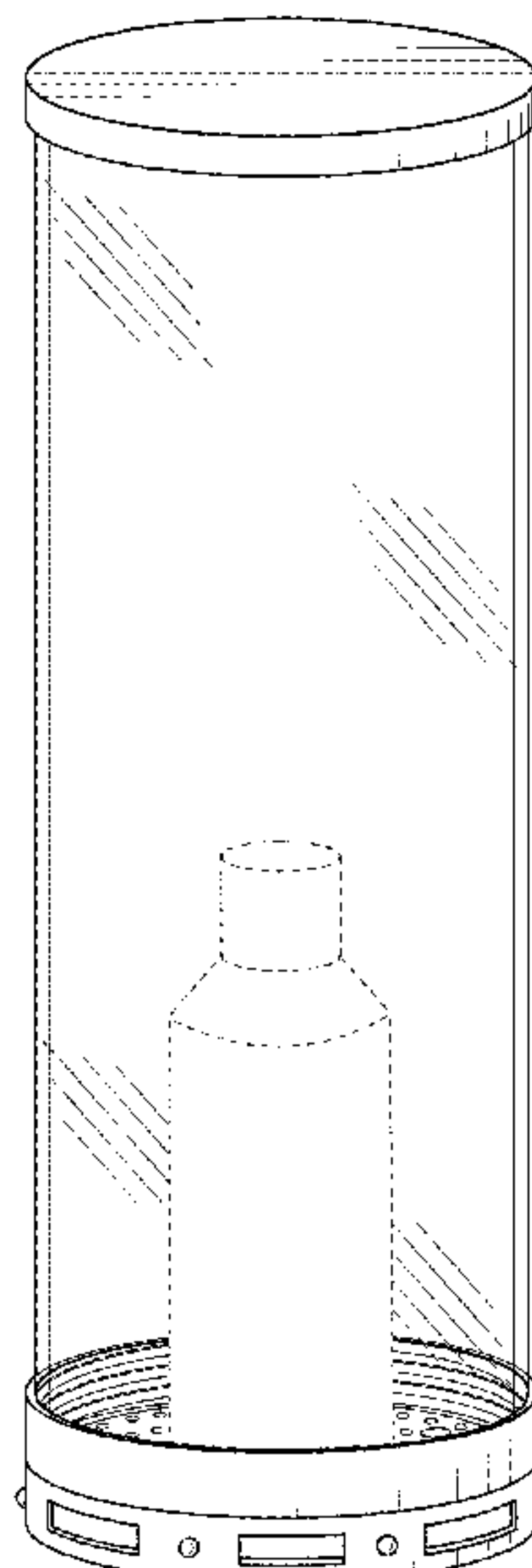
(57) **CLAIM**

The ornamental design for a vapor tube, as shown and described.

**DESCRIPTION**

FIG. 1 is a top perspective view of a vapor tube showing my new design;  
FIG. 2 is a front elevational view thereof, the opposite side not shown is a mirror image thereof;  
FIG. 3 is a left side elevational view thereof, the opposite side not shown is a mirror image thereof;  
FIG. 4 is a top plan view thereof;  
FIG. 5 is a bottom plan view thereof;  
FIG. 6 is an exploded bottom perspective view thereof;  
FIG. 7 is a top perspective view thereof;  
FIG. 8 is a top perspective view thereof;  
FIG. 9 is a top perspective view of a second embodiment showing my new design;  
FIG. 10 is a front elevational view thereof, it being understood that the opposite side not shown is a substantial mirror image thereof;  
FIG. 11 is left side elevational view thereof, it being understood that the opposite side not shown is a substantial mirror image thereof;  
FIG. 12 is a top plan view thereof;  
FIG. 13 is a bottom plan view thereof;  
FIG. 14 is an exploded bottom perspective view thereof;  
FIG. 15 is a top perspective view of a third embodiment showing my new design;  
FIG. 16 is a front elevational view thereof, it being understood that the opposite side not shown is a substantial mirror image thereof;  
FIG. 17 is a left side elevational view thereof, it being understood that the opposite side not shown is a substantial mirror image thereof;  
FIG. 18 is a top plan view thereof;  
FIG. 19 is a bottom plan view thereof;  
FIG. 20 is an exploded bottom perspective view thereof;  
FIG. 21 is a top elevational view thereof; and,  
FIG. 22 is a top elevational view thereof.  
In the drawings, the broken lines depict environmental subject matter only and form no part of the claimed design.

**1 Claim, 11 Drawing Sheets**



(56)

References Cited

U.S. PATENT DOCUMENTS

D397,939 S \* 9/1998 Hering ..... D9/454  
 D413,172 S \* 8/1999 Belschner ..... D26/11  
 6,098,632 A \* 8/2000 Turner ..... A24F 47/002  
 131/270  
 D450,862 S \* 11/2001 Alcedo ..... D26/11  
 D485,639 S \* 1/2004 Stronski ..... D27/170  
 D588,741 S \* 3/2009 Murdaugh, III ..... D27/169  
 D590,990 S \* 4/2009 Hon ..... D27/101  
 D590,991 S \* 4/2009 Hon ..... D27/101  
 D613,624 S \* 4/2010 Bodum ..... D10/46.2  
 D630,124 S \* 1/2011 Connell ..... D11/152  
 D644,375 S \* 8/2011 Zhou ..... D27/101  
 D649,708 S \* 11/2011 Oneil ..... D27/163  
 D652,571 S \* 1/2012 Shenassa ..... D27/163  
 D661,827 S \* 6/2012 Moetteli ..... D26/11  
 D683,897 S \* 6/2013 Liu ..... D27/170  
 D688,416 S \* 8/2013 Liu ..... D27/101  
 D693,053 S \* 11/2013 Chen ..... D27/101  
 D694,468 S \* 11/2013 Chen ..... D27/101  
 D695,450 S \* 12/2013 Benassayag ..... D24/110.5  
 D707,389 S \* 6/2014 Liu ..... D27/194  
 D713,100 S \* 9/2014 Salgueiro ..... D30/105  
 D724,780 S \* 3/2015 Wu ..... D27/101  
 D724,782 S \* 3/2015 Wu ..... D27/101  
 D728,155 S \* 4/2015 Liu ..... D27/101  
 D728,156 S \* 4/2015 Wu ..... D27/101  
 D729,441 S \* 5/2015 Hua ..... D27/101  
 D730,571 S \* 5/2015 Chen ..... D27/101  
 D739,601 S \* 9/2015 Bahbah ..... D27/170  
 D739,979 S \* 9/2015 Smith ..... D27/163  
 D742,563 S \* 11/2015 Kasha ..... A47G 7/06  
 D26/22  
 D744,696 S \* 12/2015 Malhi ..... D27/169  
 D745,213 S \* 12/2015 Alima ..... D27/143  
 D747,548 S \* 1/2016 Mayor ..... D27/167  
 D747,549 S \* 1/2016 Stowers ..... D27/167  
 D749,261 S \* 2/2016 Chen ..... D27/162  
 D751,249 S \* 3/2016 Chen ..... D27/101  
 D752,280 S \* 3/2016 Verleur ..... D27/167  
 D756,779 S \* 5/2016 Kang ..... D9/454  
 9,352,288 B2 \* 5/2016 Terry ..... A24F 47/008  
 D758,649 S \* 6/2016 Liu ..... D27/101  
 D758,650 S \* 6/2016 Wu ..... D27/101  
 D763,501 S \* 8/2016 McGarry ..... D27/101  
 D764,701 S \* 8/2016 Malhi ..... D27/101  
 D765,309 S \* 8/2016 Liu ..... D27/101  
 D771,307 S \* 11/2016 Wu ..... D27/101  
 D772,478 S \* 11/2016 Liu ..... D27/167  
 D772,479 S \* 11/2016 Stowers ..... D27/167  
 D775,762 S \* 1/2017 Chen ..... D27/101  
 D776,868 S \* 1/2017 Rado ..... D27/162  
 D780,372 S \* 2/2017 Liu ..... D27/101  
 D780,991 S \* 3/2017 Liu ..... D27/101  
 D783,117 S \* 4/2017 Gilbarte ..... D22/117  
 D784,609 S \* 4/2017 Liu ..... D27/101  
 D787,114 S \* 5/2017 Scott ..... D27/194  
 D790,122 S \* 6/2017 Hawes ..... D27/101  
 D792,645 S \* 7/2017 Fornarelli ..... D27/167

2004/0154630 A1 \* 8/2004 Tabuchi ..... A24B 15/282  
 131/365  
 2004/0200493 A1 \* 10/2004 Matsufuji ..... A24C 5/1821  
 131/364  
 2006/0254604 A1 \* 11/2006 Martinez  
 Fernandez ..... A24F 47/002  
 131/273  
 2008/0254398 A1 \* 10/2008 Chadha ..... F23D 3/16  
 431/291  
 2009/0049743 A1 \* 2/2009 Lewis, Jr. .... A47G 7/06  
 47/41.01  
 2011/0010988 A1 \* 1/2011 Lanoha ..... A47G 7/06  
 47/41.1  
 2013/0140200 A1 \* 6/2013 Scatterday ..... A24F 15/00  
 206/265  
 2013/0180533 A1 \* 7/2013 Kim ..... A24F 47/008  
 131/273  
 2014/0376895 A1 \* 12/2014 Han ..... A24F 47/008  
 392/395  
 2015/0078735 A1 \* 3/2015 Cormack ..... A61M 15/06  
 392/395  
 2015/0164141 A1 \* 6/2015 Newton ..... H01M 2/1055  
 131/329  
 2015/0181944 A1 \* 7/2015 Li ..... A24F 47/008  
 131/329  
 2015/0245657 A1 \* 9/2015 Memari ..... A24F 15/12  
 141/18  
 2015/0257446 A1 \* 9/2015 Chung ..... A24F 47/008  
 131/329  
 2015/0257447 A1 \* 9/2015 Sullivan ..... A24F 47/008  
 131/329  
 2015/0258288 A1 \* 9/2015 Sullivan ..... A61M 15/0086  
 128/203.12  
 2015/0272219 A1 \* 10/2015 Hatrick ..... A24F 47/008  
 131/328  
 2015/0282529 A1 \* 10/2015 Li ..... A24F 47/008  
 131/273  
 2015/0282530 A1 \* 10/2015 Johnson ..... A24F 47/008  
 392/387  
 2016/0000145 A1 \* 1/2016 Liu ..... A61M 15/06  
 131/329  
 2016/0007654 A1 \* 1/2016 Zhu ..... A24F 47/008  
 131/328  
 2016/0015082 A1 \* 1/2016 Liu ..... A24F 47/008  
 131/329  
 2016/0073694 A1 \* 3/2016 Liu ..... H05B 3/40  
 131/329  
 2016/0113327 A1 \* 4/2016 Wu ..... H05B 3/06  
 131/329  
 2016/0120226 A1 \* 5/2016 Rado ..... A24F 47/008  
 131/329  
 2016/0121058 A1 \* 5/2016 Chen ..... A61M 11/04  
 128/200.19  
 2016/0144458 A1 \* 5/2016 Boldrini ..... B23K 31/02  
 228/176  
 2016/0280450 A1 \* 9/2016 Hearn ..... A61M 15/0091

\* cited by examiner



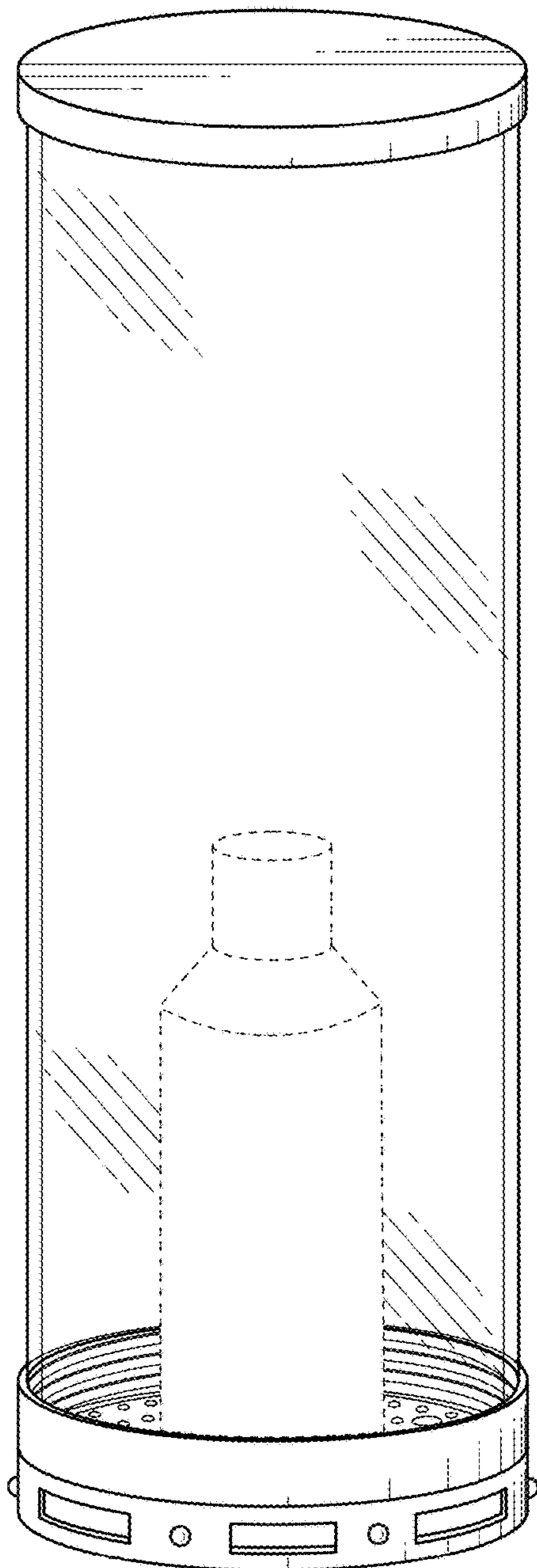


FIG. 1

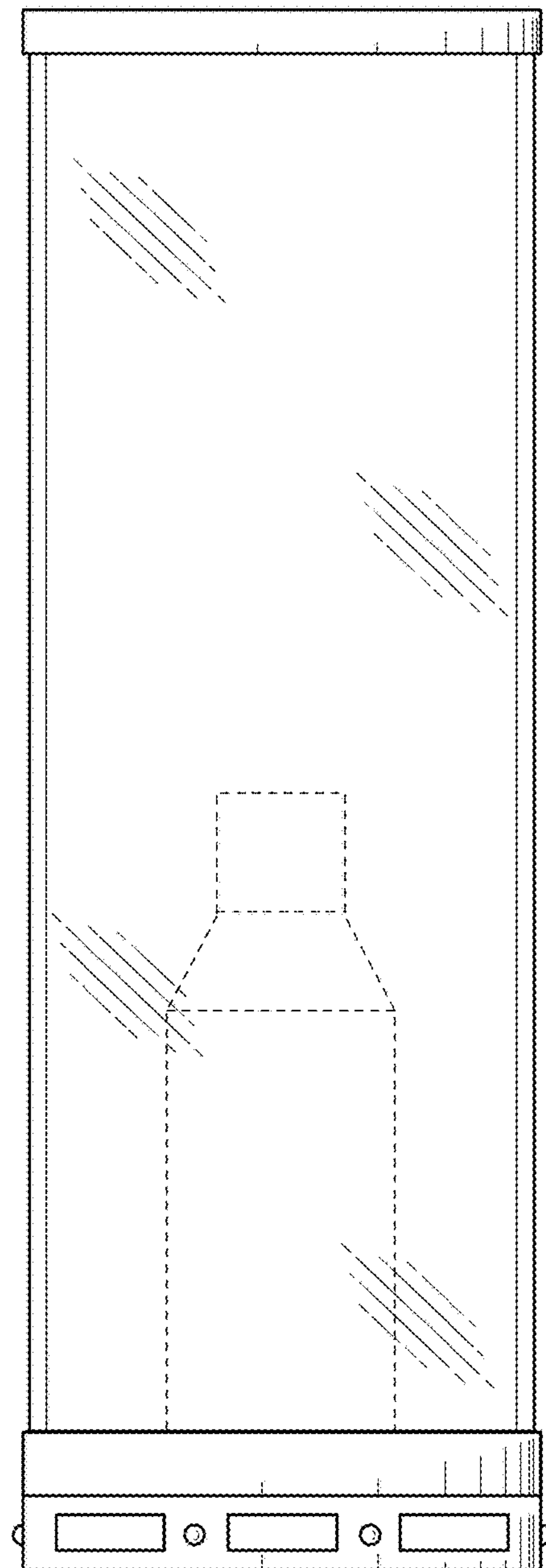


FIG. 2

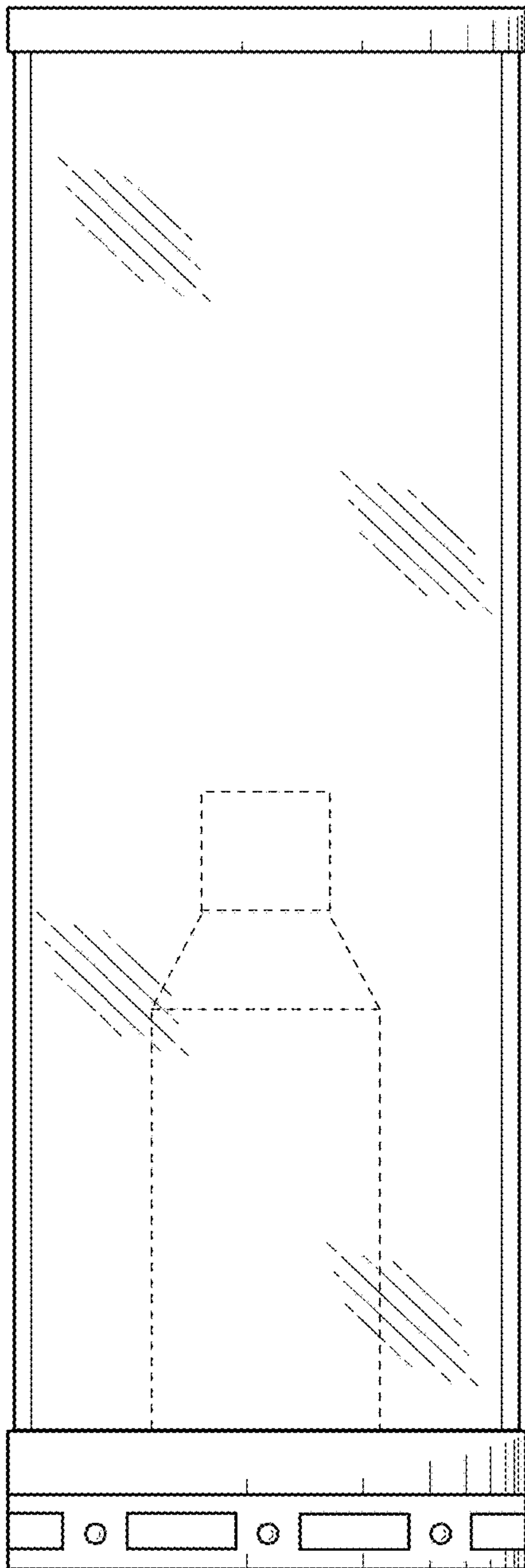


FIG. 3

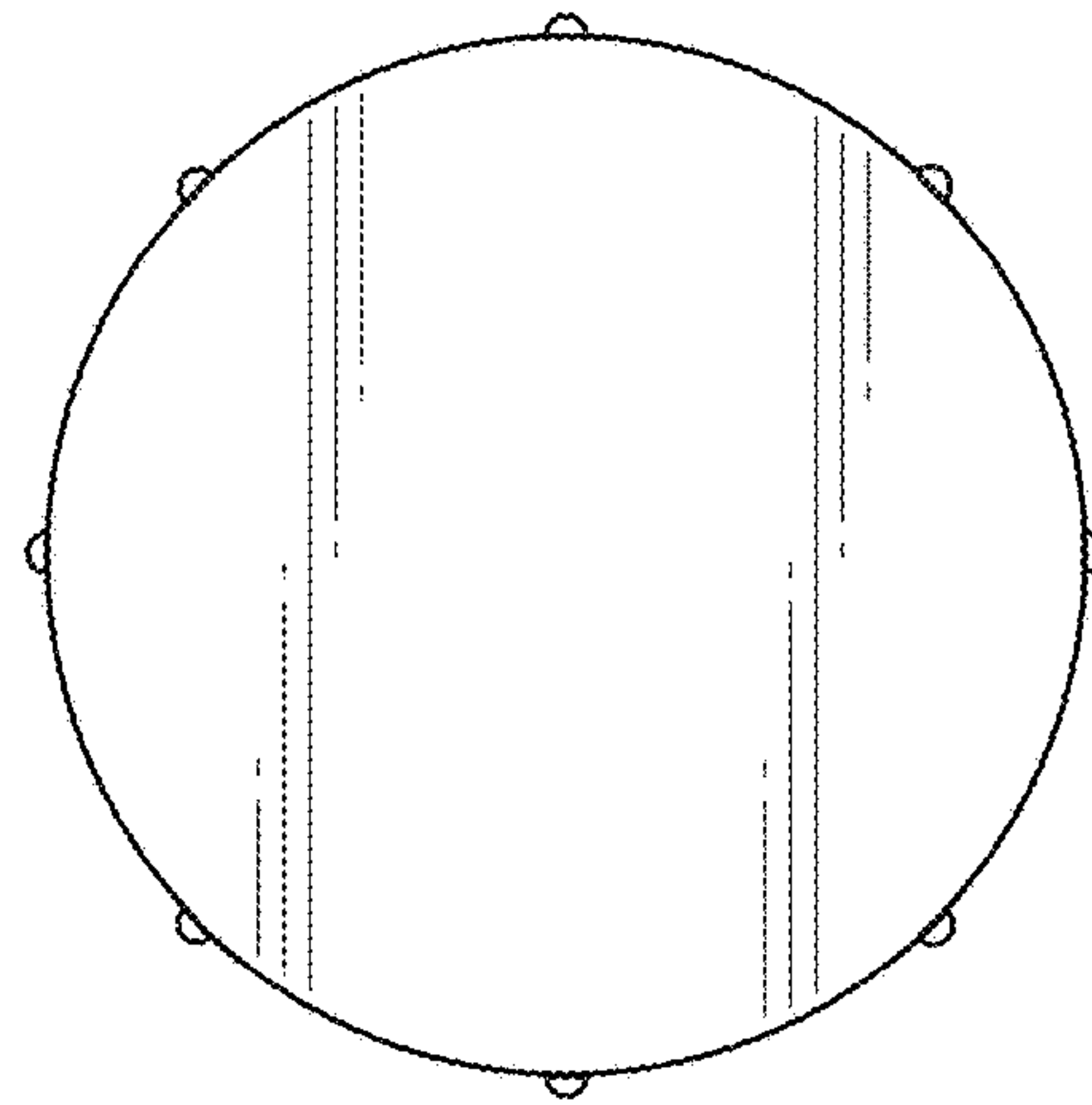


FIG. 4

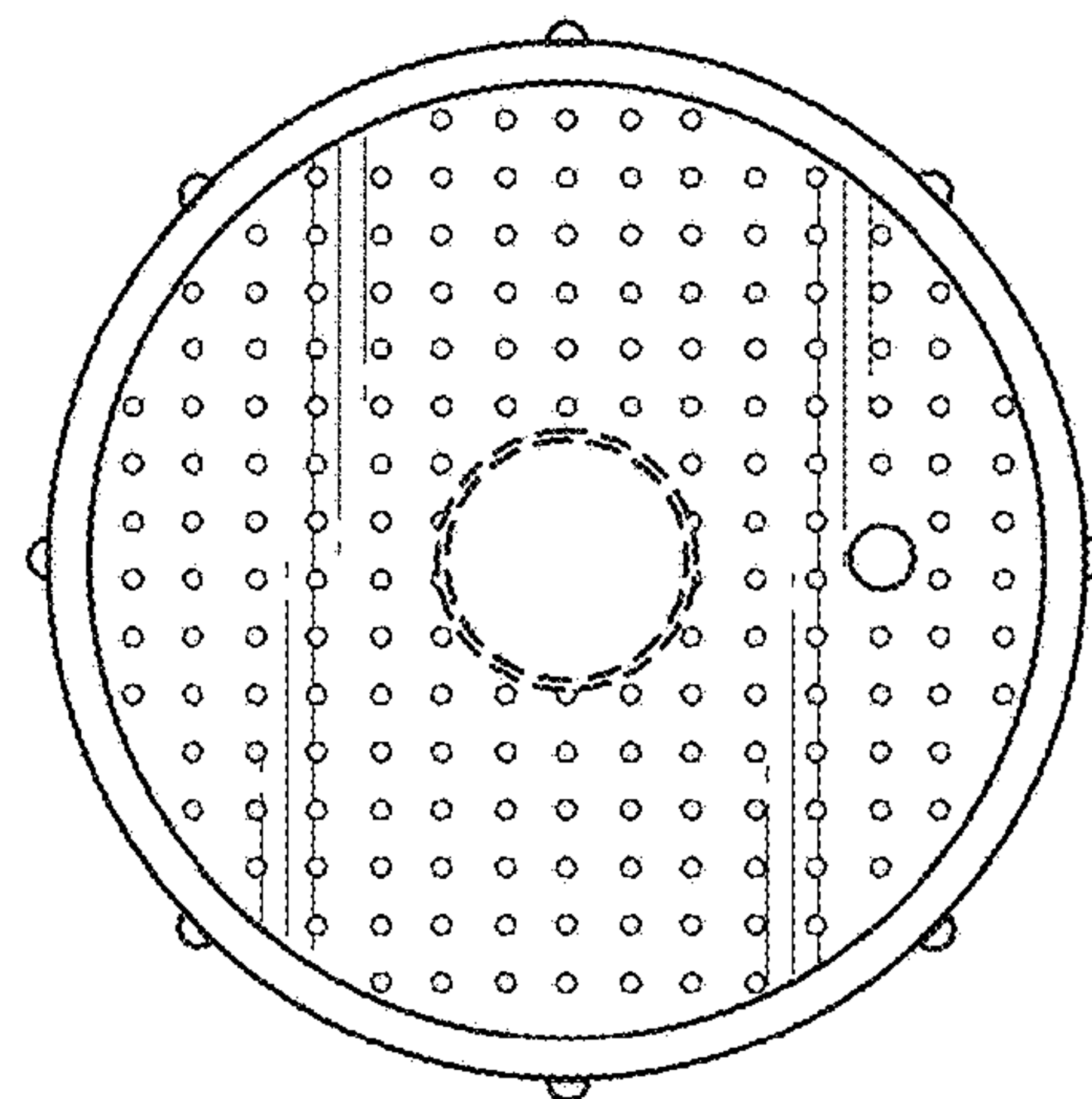


FIG. 5

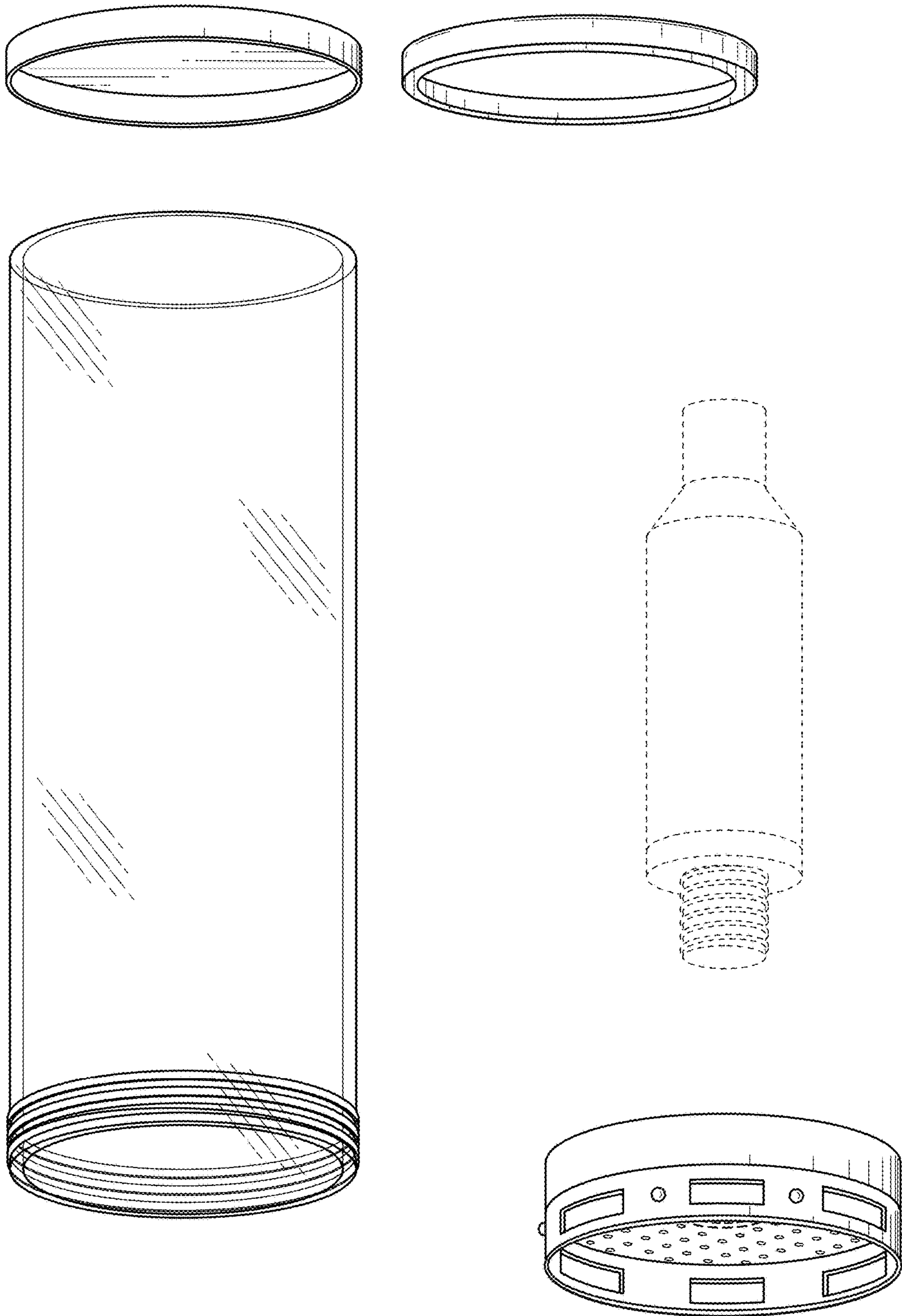


FIG. 6

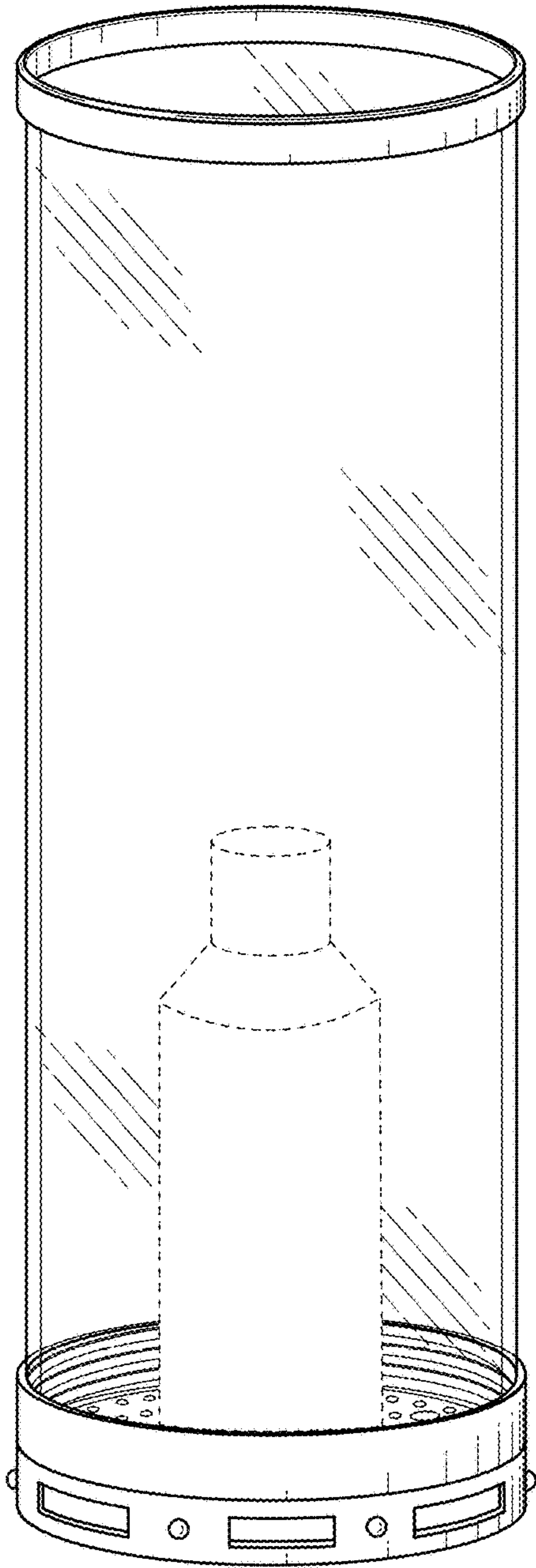


FIG. 7

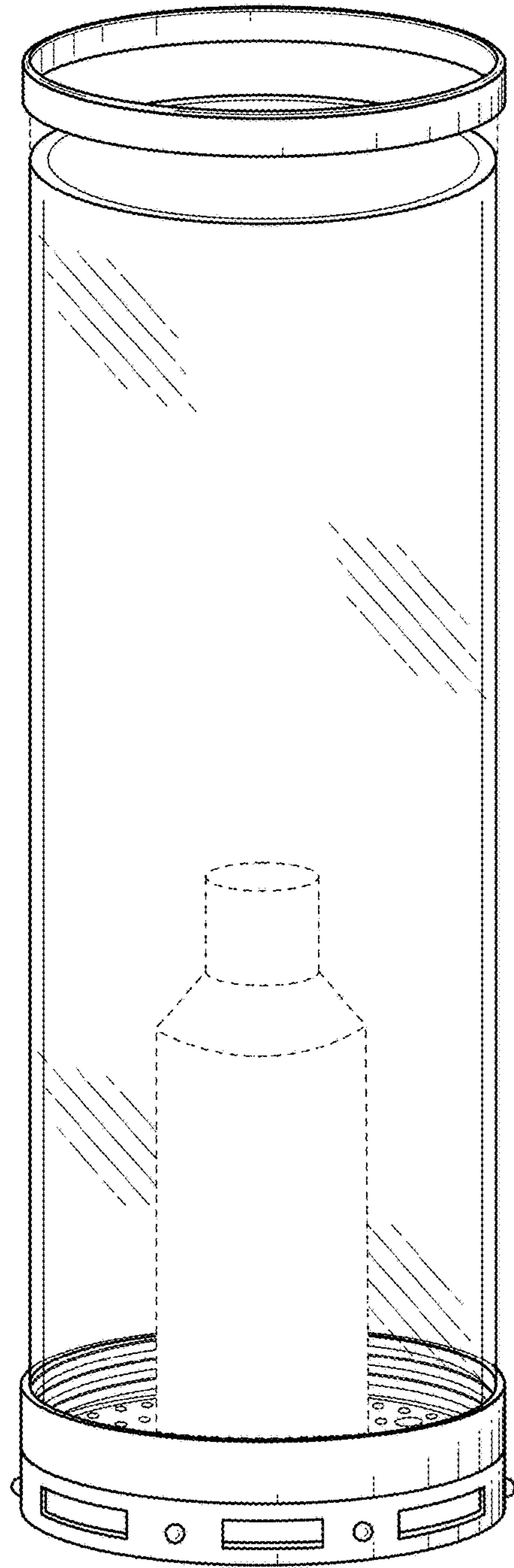


FIG. 8



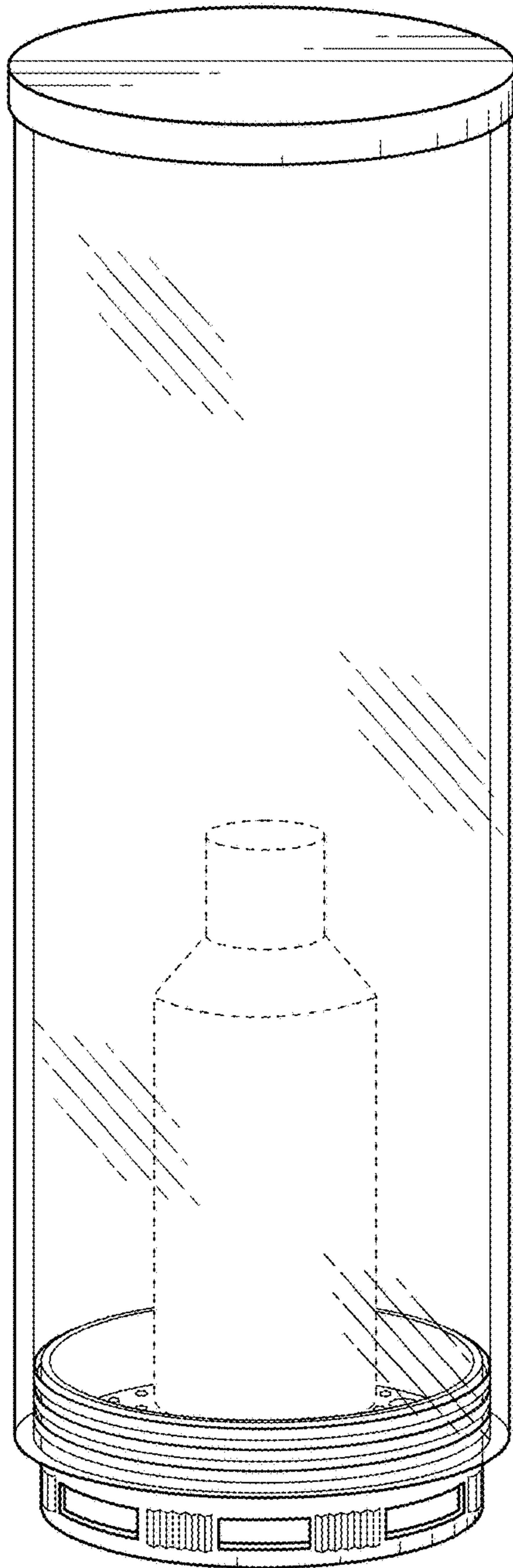


FIG. 9

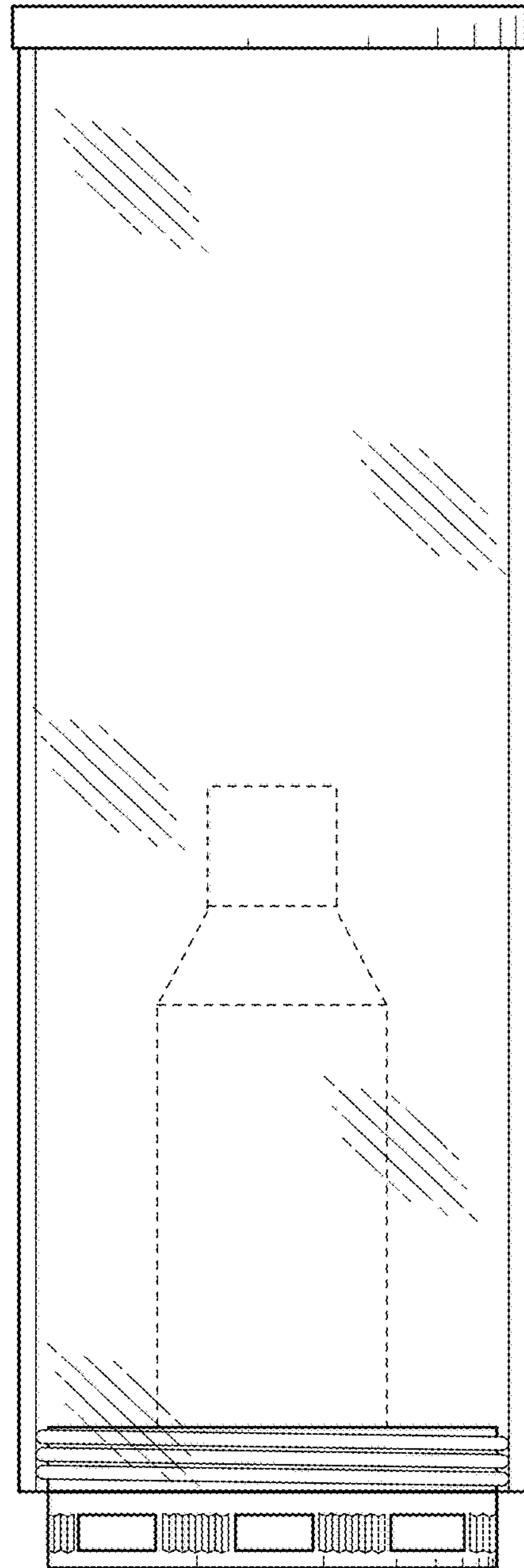


FIG. 10

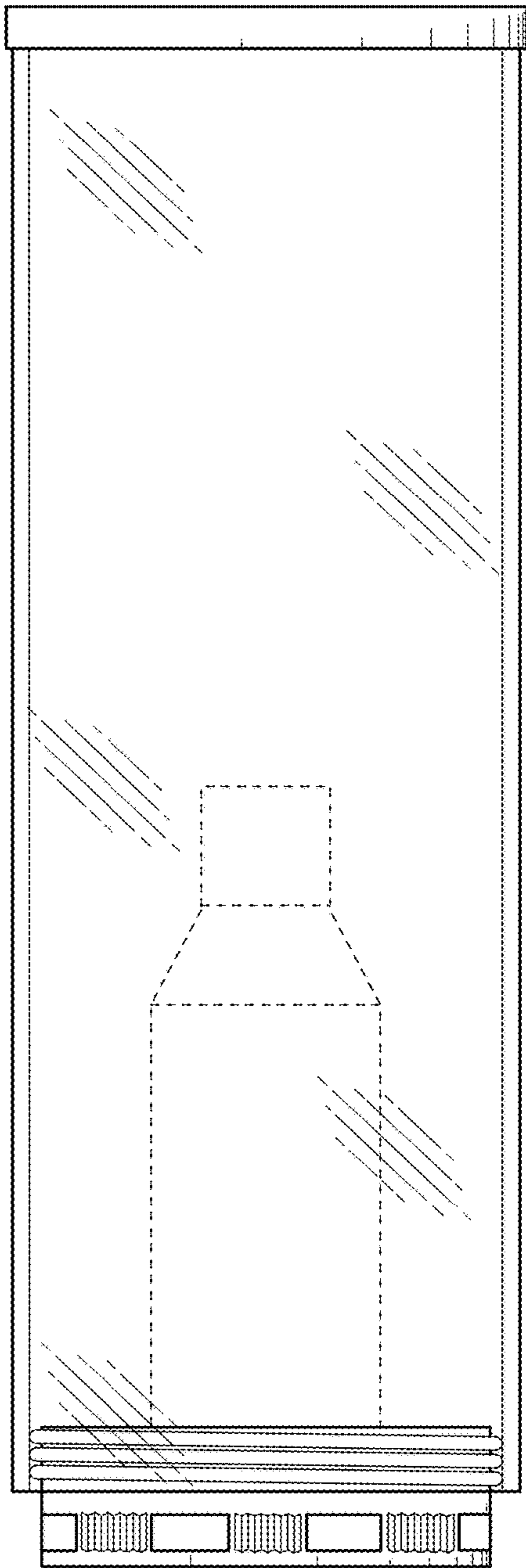


FIG. 11

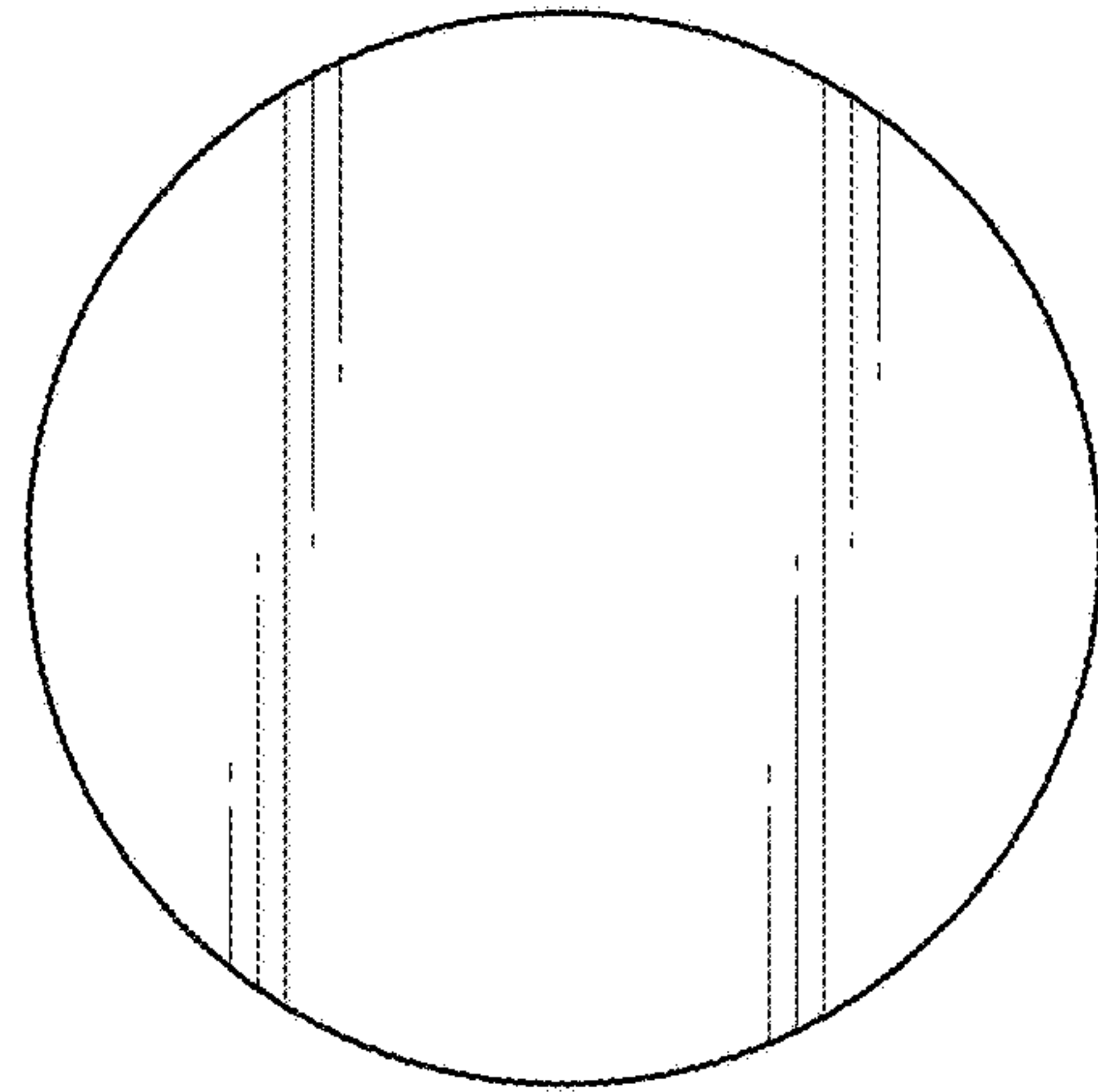


FIG. 12

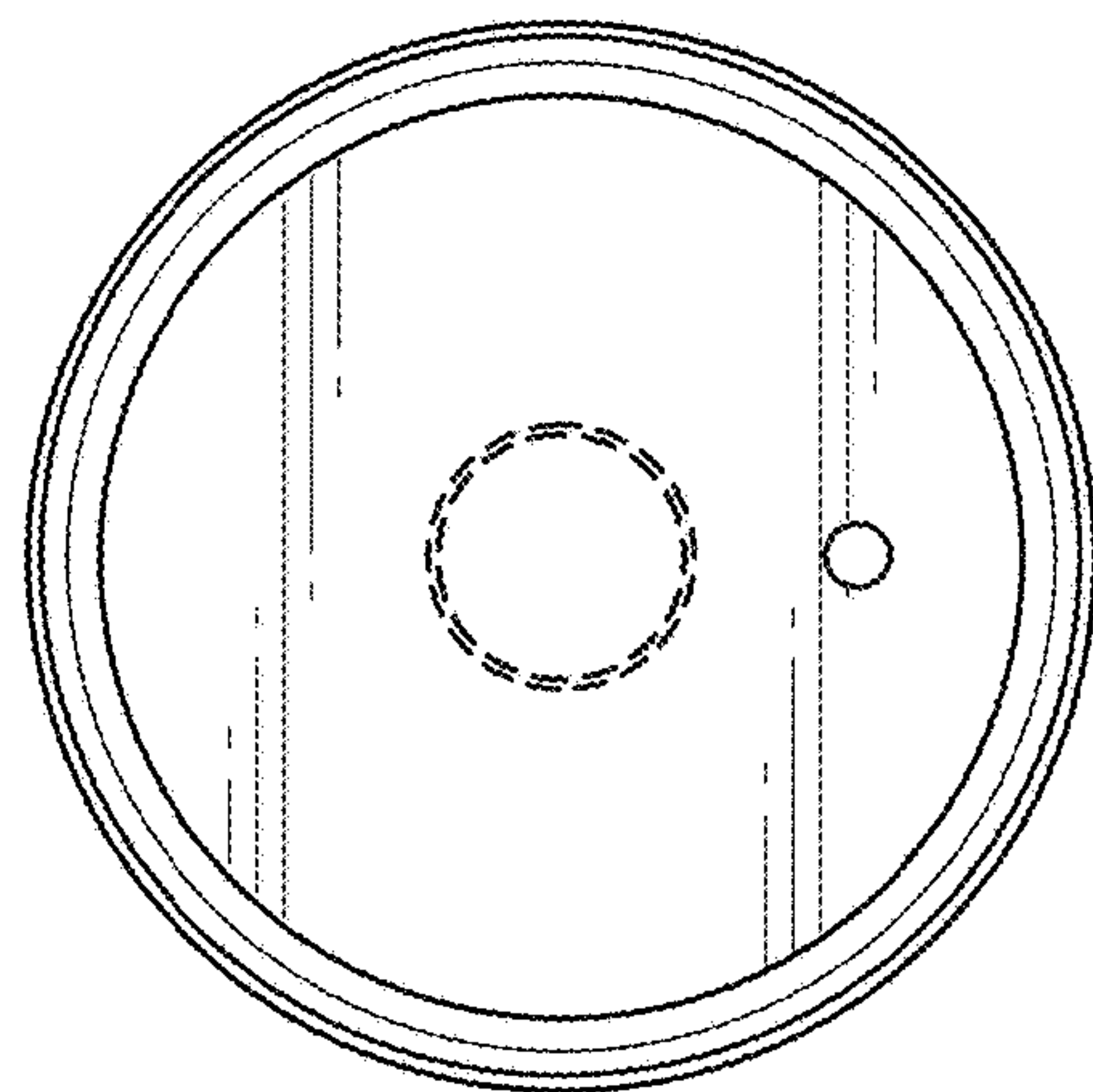


FIG. 13



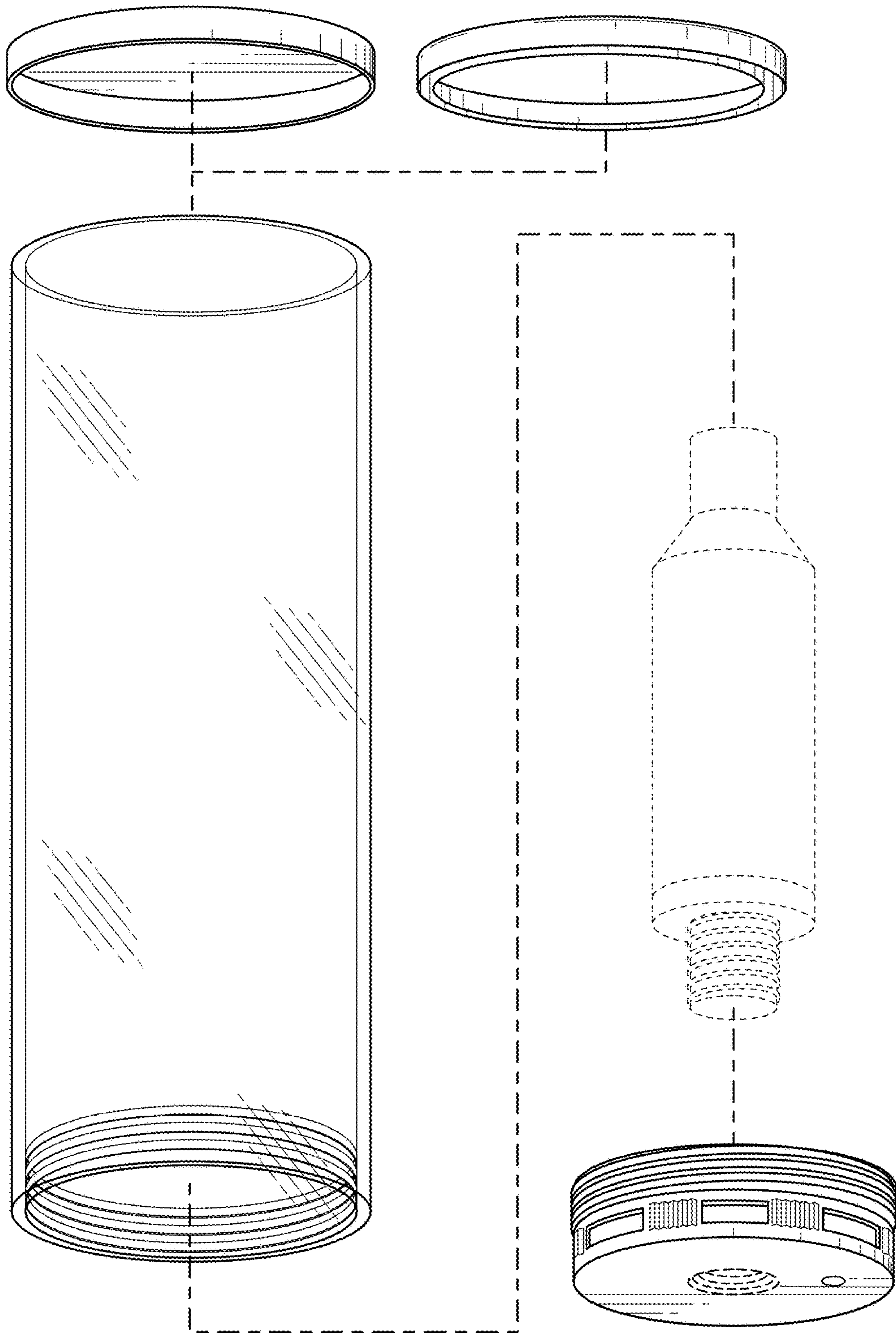


FIG. 14

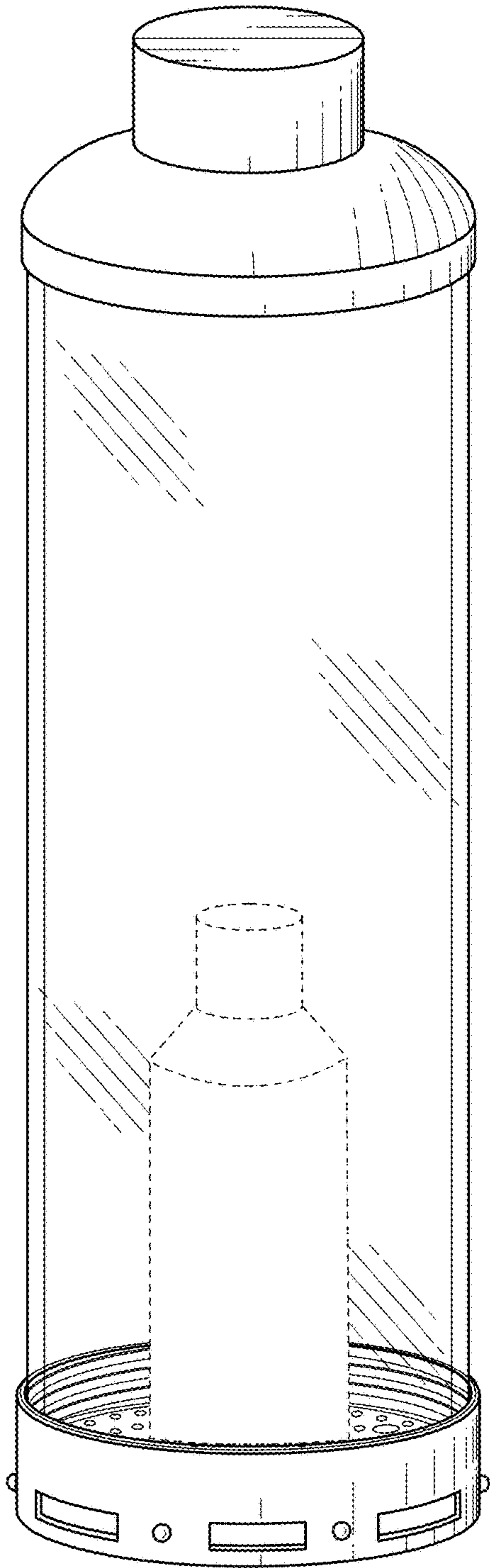


FIG. 15

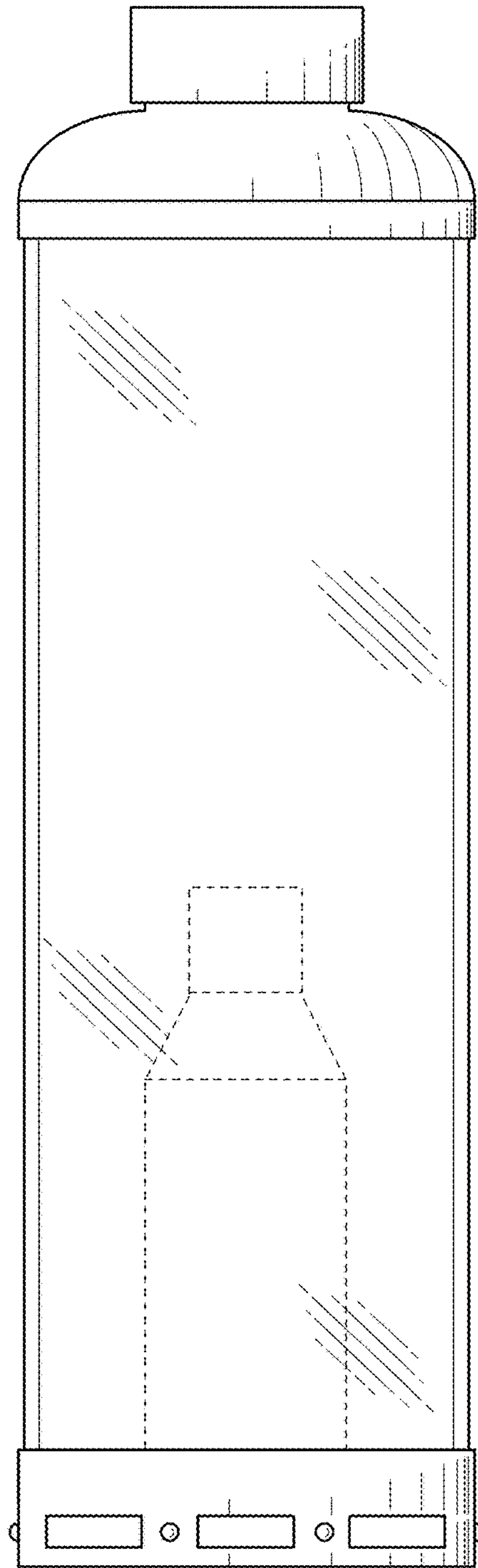


FIG. 16

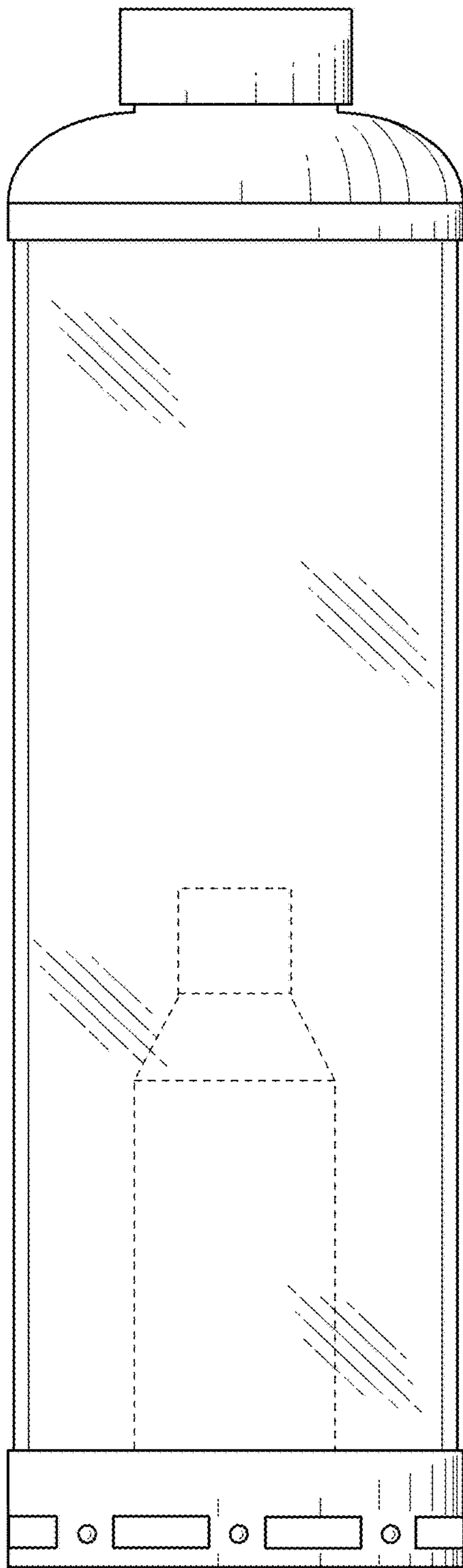


FIG. 17

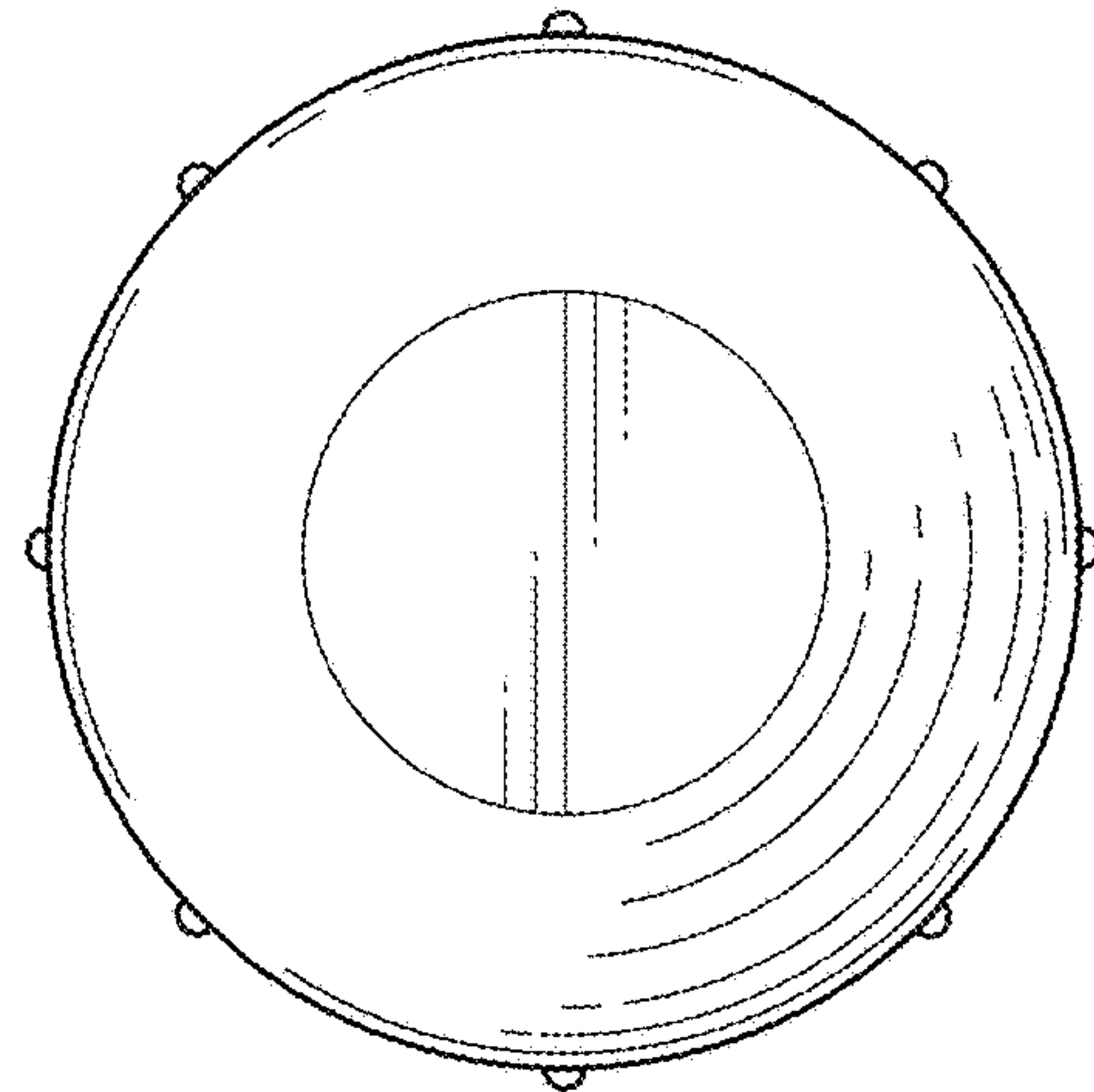


FIG. 18

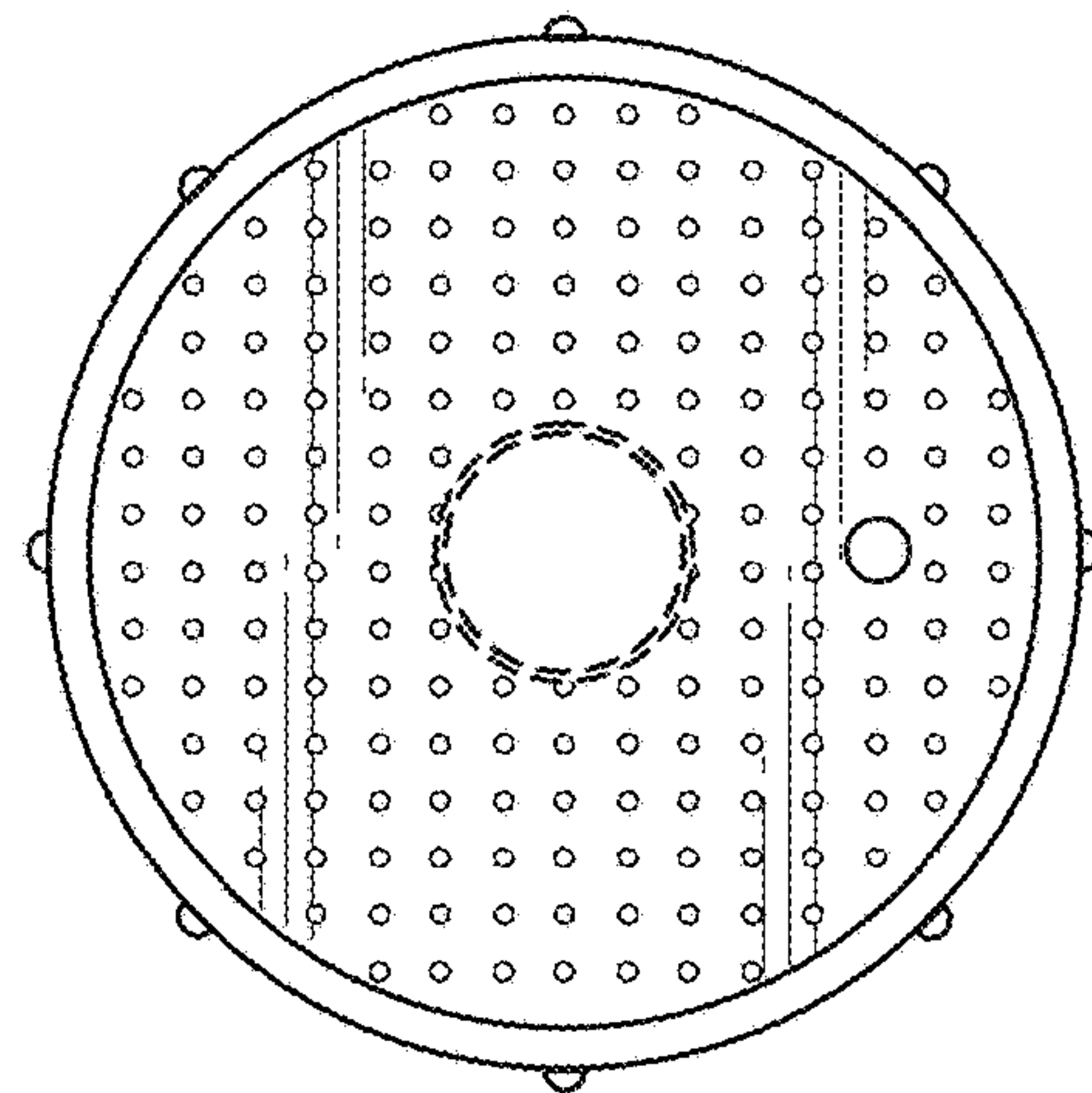


FIG. 19





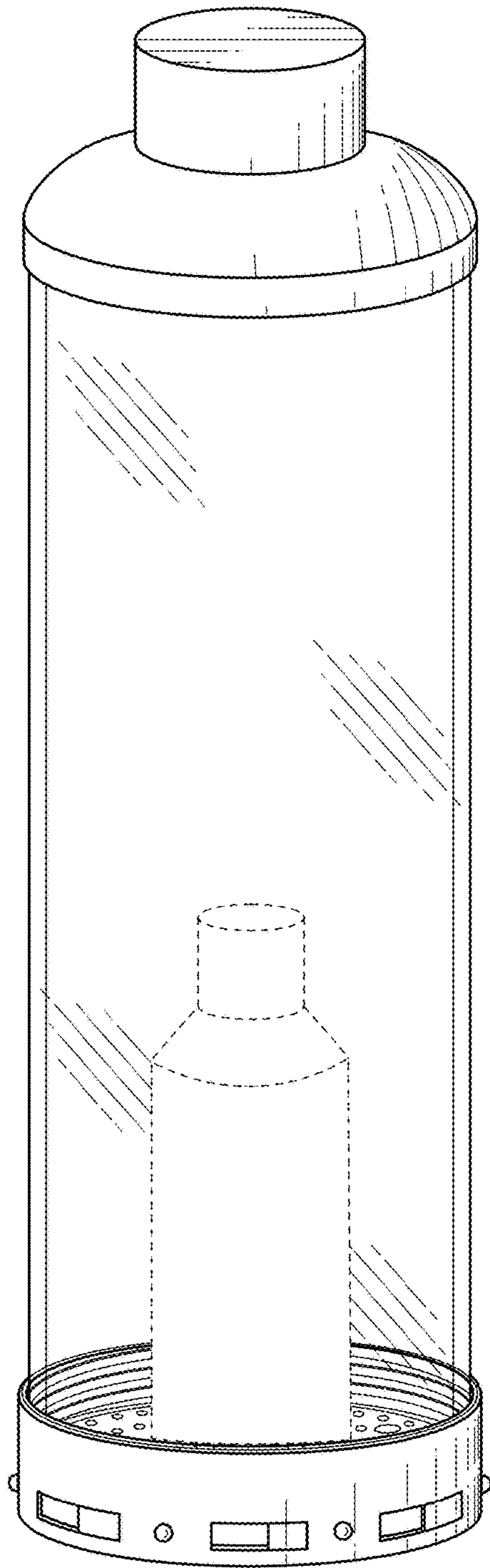


FIG. 21

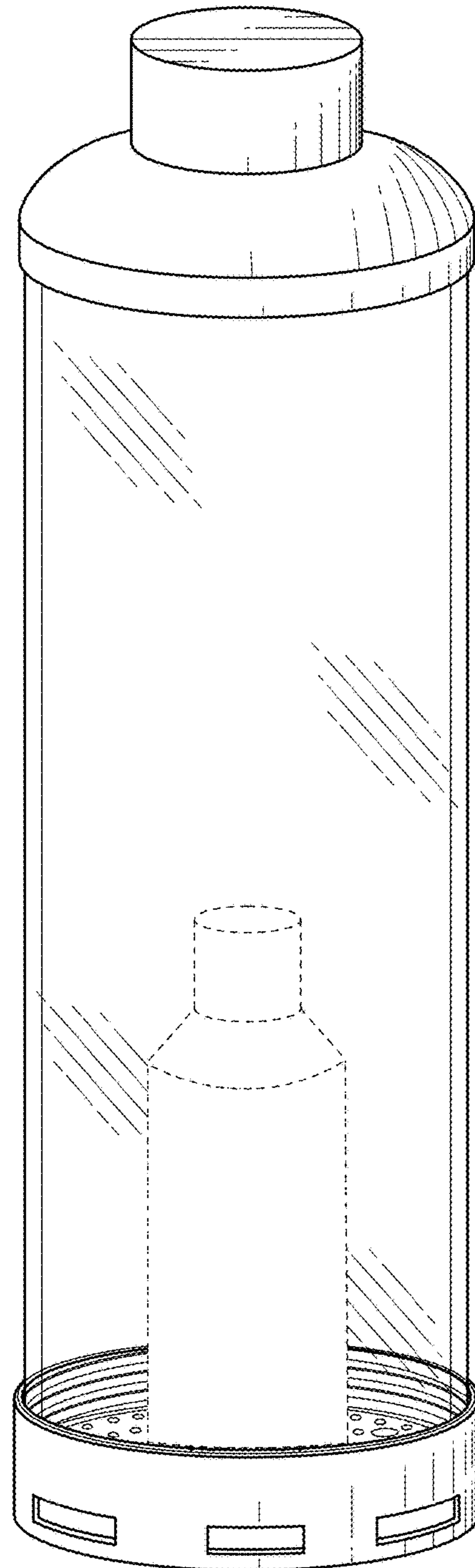


FIG. 22

UNITED STATES PATENT AND TRADEMARK OFFICE  
**CERTIFICATE OF CORRECTION**

PATENT NO. : D824,586 S  
APPLICATION NO. : 29/540559  
DATED : July 31, 2018  
INVENTOR(S) : Fornarelli

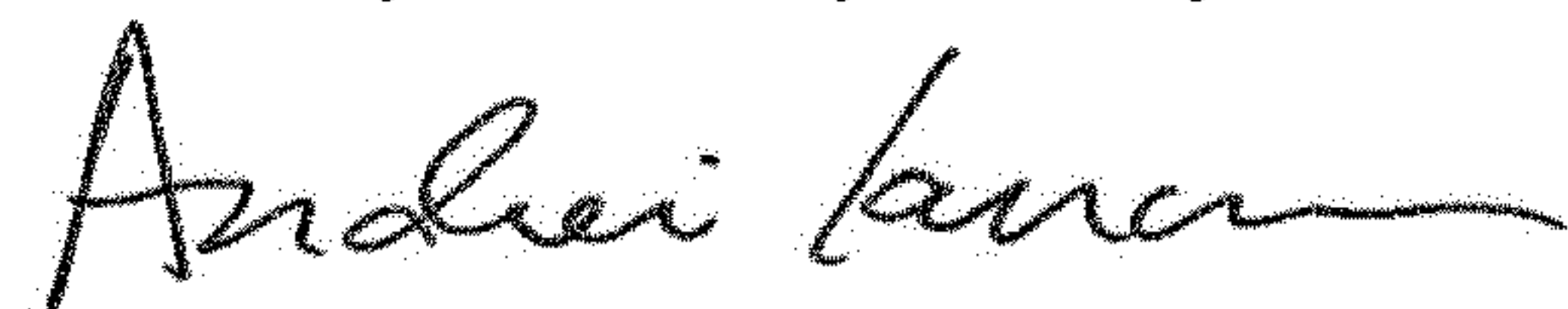
Page 1 of 6

It is certified that error appears in the above-identified patent and that said Letters Patent is hereby corrected as shown below:

Delete the title page and replace with the attached title page reflecting deletion of descriptions for FIG. 9-22.

Delete Drawing Sheets 1-11 and replace with the attached Drawing Sheets 1-4. FIGS. 9-22 have been cancelled.

Signed and Sealed this  
Twenty-first Day of July, 2020



Andrei Iancu  
*Director of the United States Patent and Trademark Office*



(12) **United States Design Patent** (10) **Patent No.:** **US D824,586 S**  
**Fornarelli** (45) **Date of Patent:** **\*\* Jul. 31, 2018**

(54) **VAPOR TUBE**

(71) Applicant: **AVANZATO TECHNOLOGY CORP.**,  
Chicago, IL (US)

(72) Inventor: **Thomas Fornarelli**, Chicago, IL (US)

(73) Assignee: **AVANZATO TECHNOLOGY CORP.**,  
Chicago, IL (US)

(\*\*) Term: **15 Years**

(21) Appl. No.: **29/540,559**

(22) Filed: **Sep. 25, 2015**

(51) **LOC (11) Cl.** ..... **27-06**

(52) **U.S. Cl.**  
USPC ..... **D27/194; D27/162**

(58) **Field of Classification Search**  
USPC ..... D27/100, 101, 102, 162, 163, 164, 165,  
D27/166, 167, 168, 169, 170, 171, 172,  
D27/175, 180, 183, 184, 186, 187, 188,  
D27/189, 193, 194; D9/428, 454, 439  
CPC ..... A24F 47/002; A24F 7/00  
See application file for complete search history.

(56) **References Cited**

U.S. PATENT DOCUMENTS

D269,638 S \* 7/1983 Frye, Jr. .... D26/9  
D285,614 S \* 9/1986 Vanbragt ..... D26/11  
D290,514 S \* 6/1987 Boss ..... D26/11  
5,687,745 A \* 11/1997 Yalcin ..... A24F 13/06  
131/173

(Continued)

*Primary Examiner* — Brandon M Rosati  
*Assistant Examiner* — Marissa J Cash  
(74) *Attorney, Agent, or Firm* — Flener IP & Business  
Law

(57) **CLAIM**

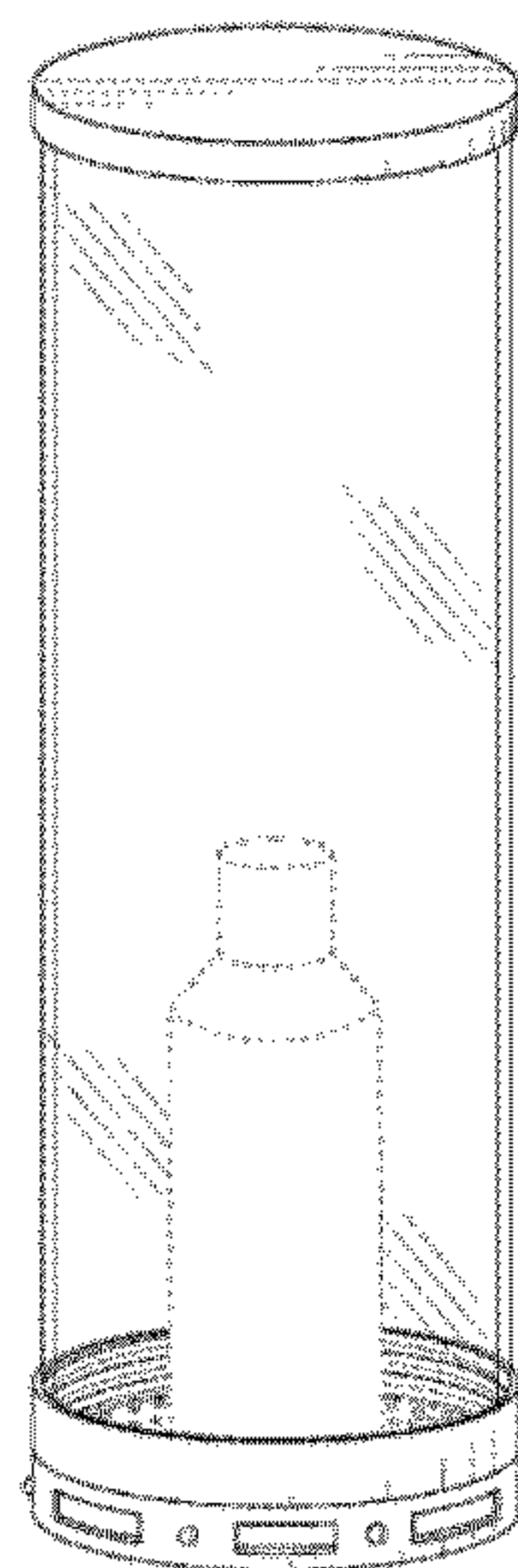
The ornamental design for a vapor tube, as shown and described.

**DESCRIPTION**

FIG. 1 is a top perspective view of a vapor tube showing my new design;  
FIG. 2 is a front elevational view thereof, the opposite side not shown is a mirror image thereof;  
FIG. 3 is a left side elevational view thereof, the opposite side not shown is a mirror image thereof;  
FIG. 4 is a top plan view thereof;  
FIG. 5 is a bottom plan view thereof;  
FIG. 6 is an exploded bottom perspective view thereof;  
FIG. 7 is a top perspective view thereof; and,  
FIG. 8 is a top perspective view thereof.

In the drawings, the broken lines depict environmental subject matter only and form no part of the claimed design.

**1 Claim, 4 Drawing Sheets**



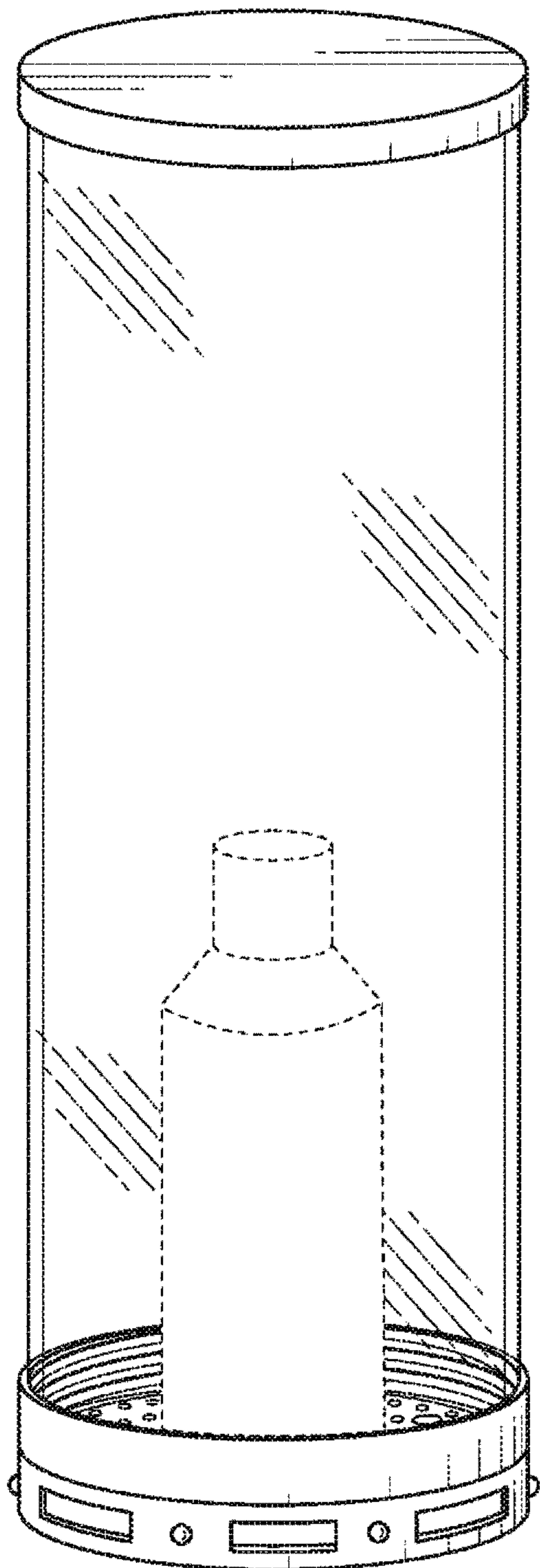


FIG. 1

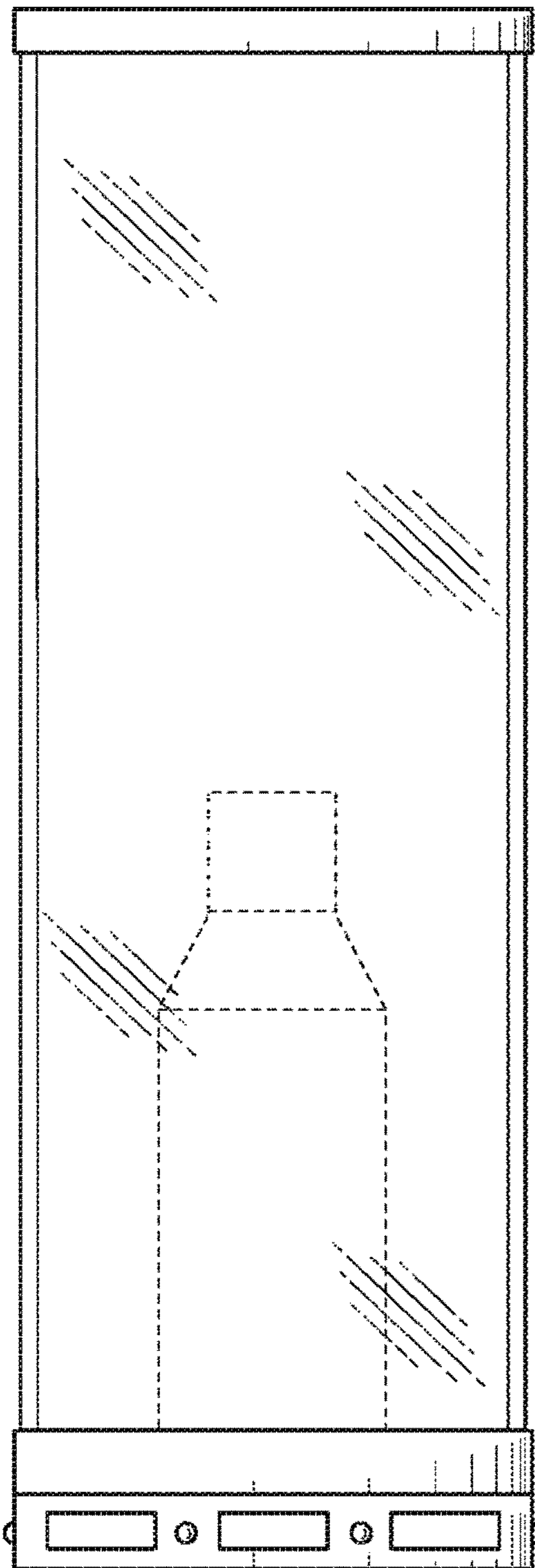


FIG. 2

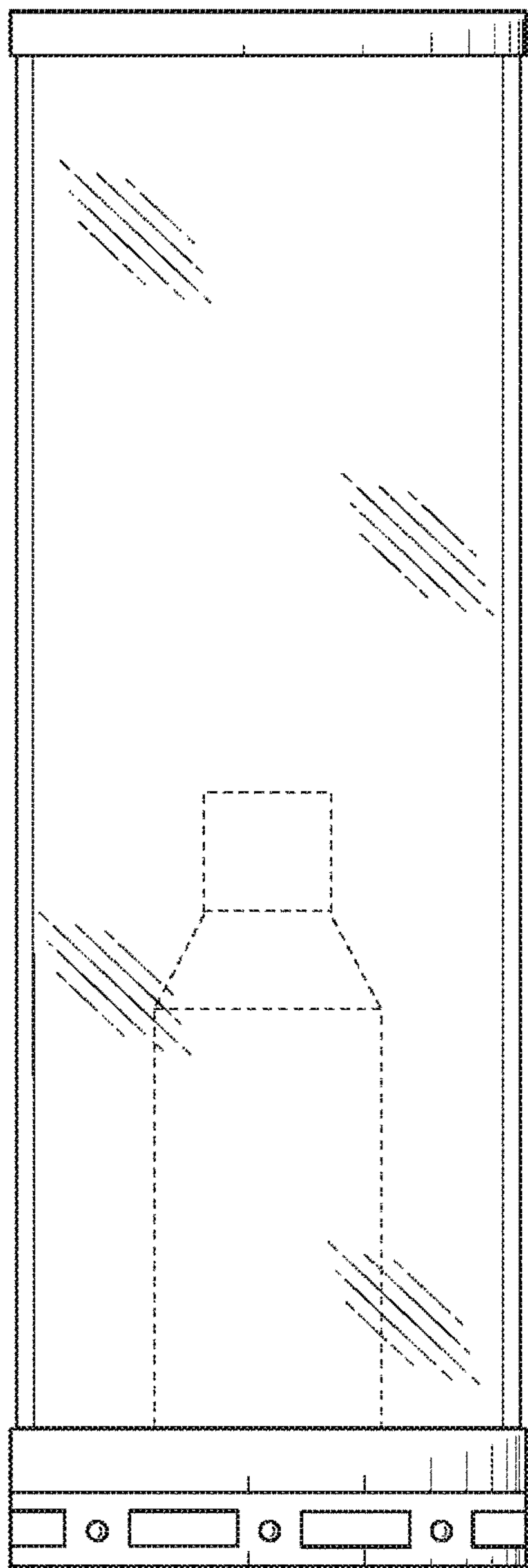


FIG. 3

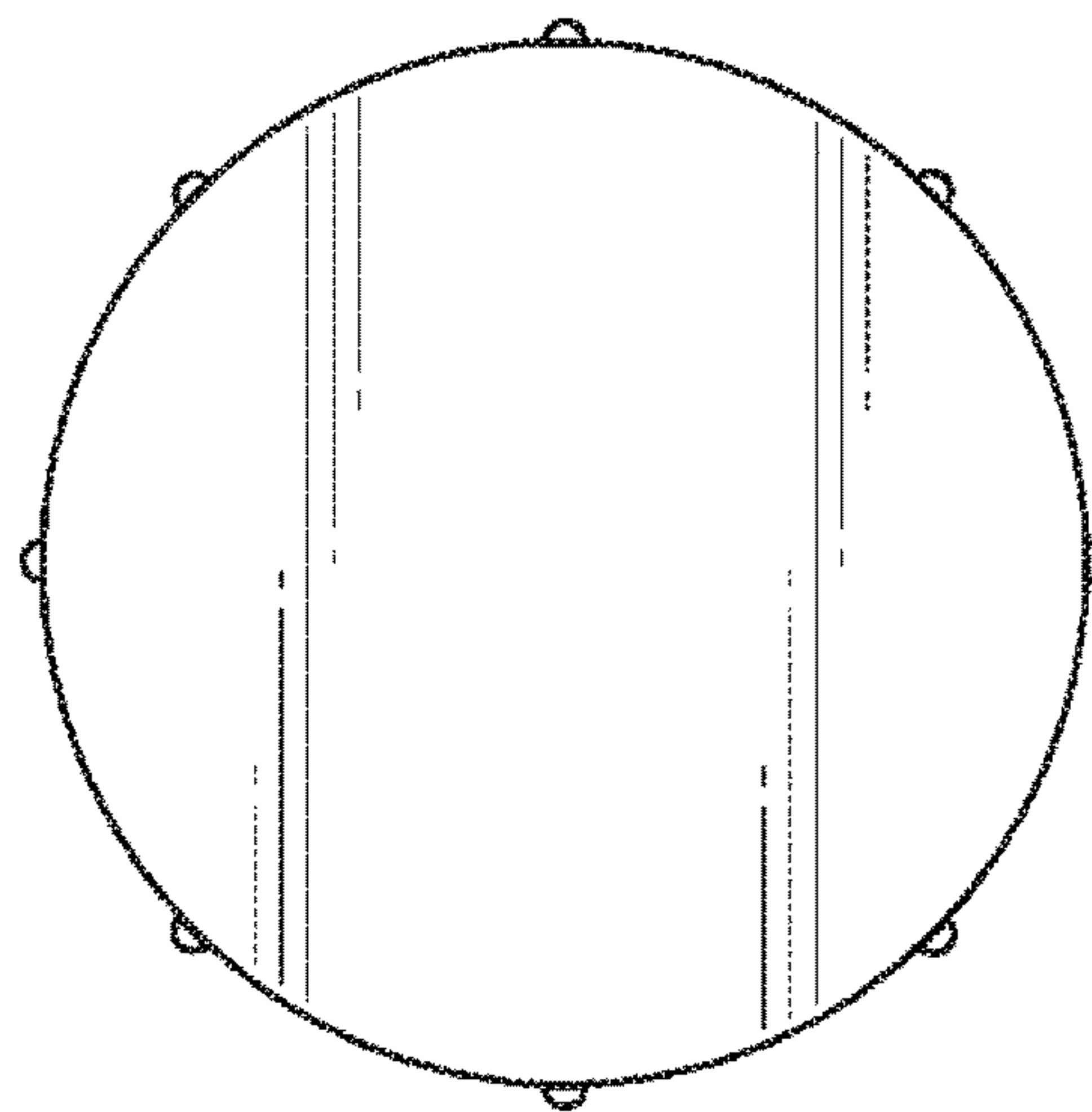


FIG. 4

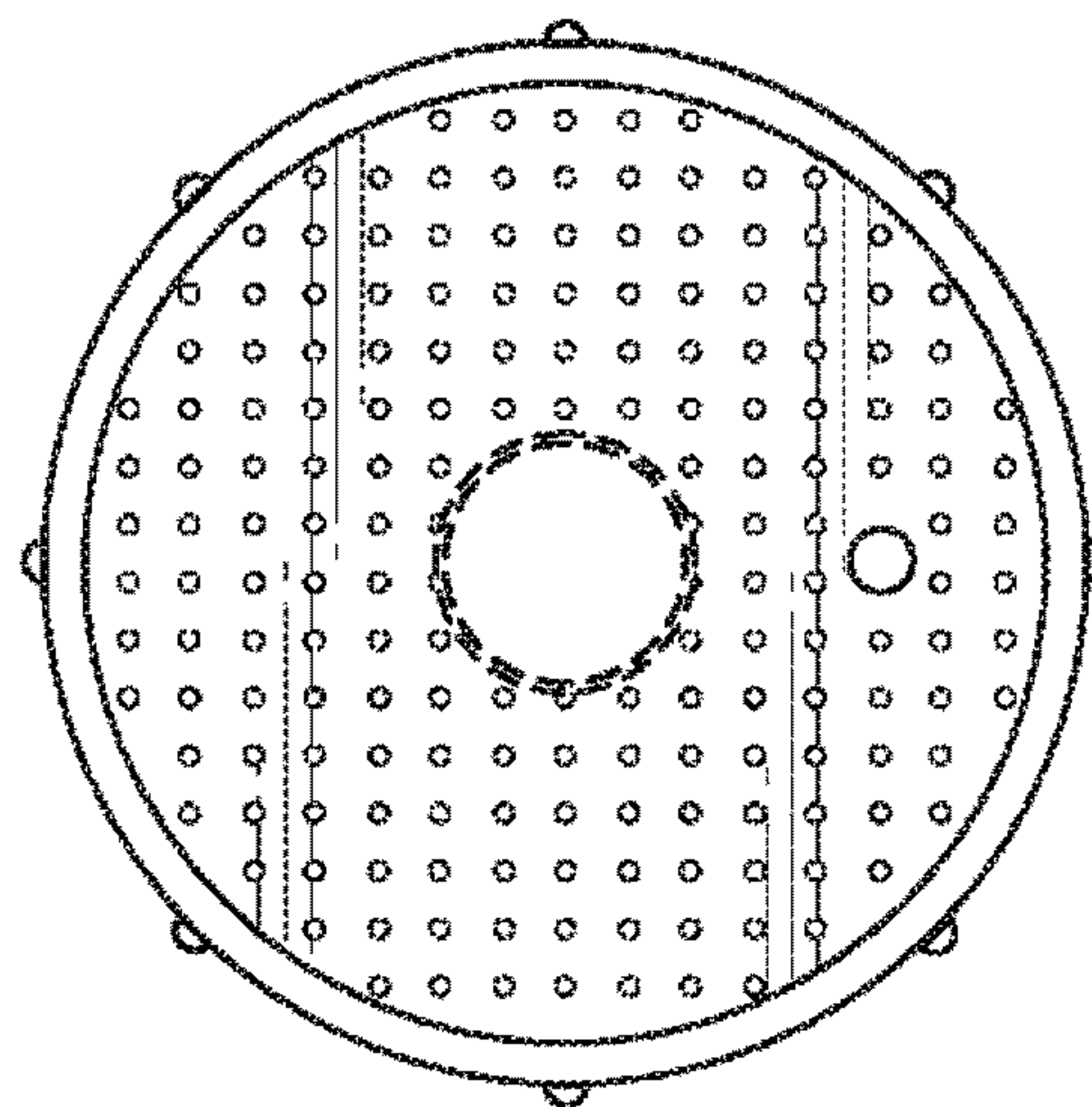


FIG. 5





FIG. 6

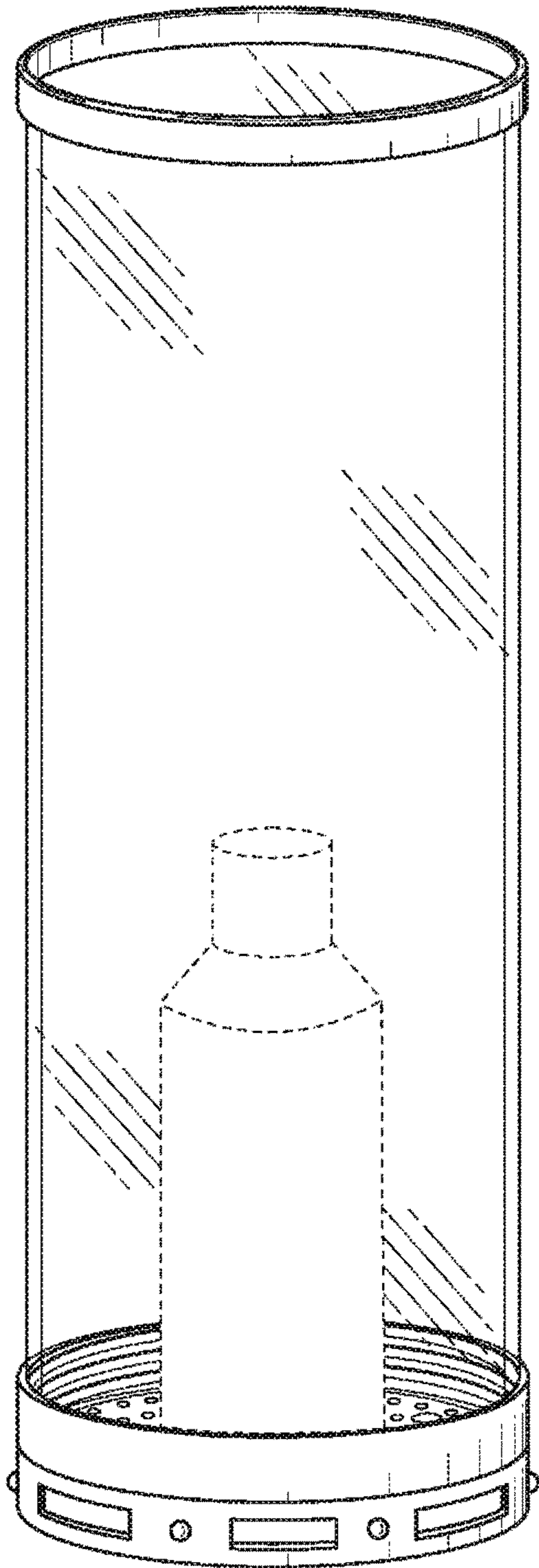


FIG. 7

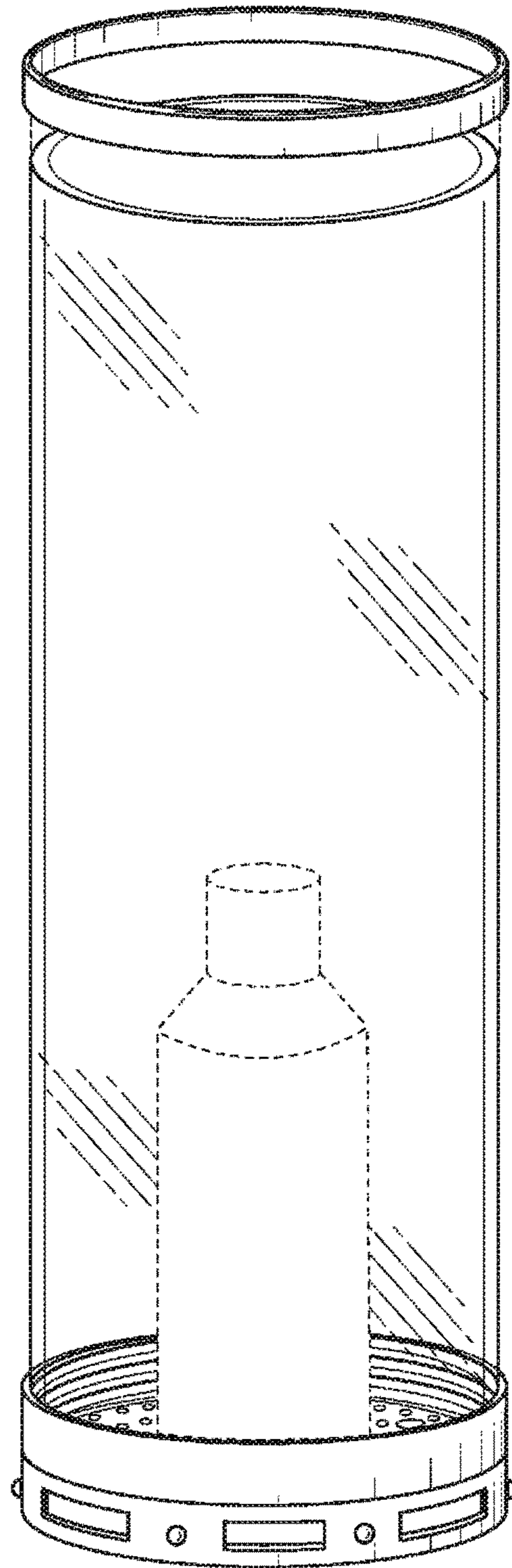


FIG. 8