



US00D824585S

(12) **United States Design Patent** (10) **Patent No.:** **US D824,585 S**  
**Miller et al.** (45) **Date of Patent:** **\*\* \*Jul. 31, 2018**

- (54) **PERSONAL VAPORISER** D579,545 S \* 10/2008 Birath ..... D24/110
- (71) Applicant: **Ghost Herbal Concepts Ltd,** D579,547 S \* 10/2008 Birath ..... D24/110  
Roadtown, Tortola (VG) D579,549 S \* 10/2008 Birath ..... D24/110
- (72) Inventors: **Austen Charles Miller,** Andover (GB); D629,887 S \* 12/2010 Adamo ..... D24/110.5  
**Yann Glauser,** Southampton (GB) D629,888 S \* 12/2010 Adamo ..... D24/110.5
- (73) Assignee: **Ghost Herbal Concepts Ltd,** D686,312 S \* 7/2013 Allsop ..... D24/110  
Roadtown (VG) D697,200 S \* 1/2014 Mahaffy ..... D24/110

(\* ) Notice: This patent is subject to a terminal disclaimer.

(\*\*) Term: **15 Years**

(21) Appl. No.: **29/589,289**

(22) Filed: **Dec. 29, 2016**

(30) **Foreign Application Priority Data**

Jun. 30, 2016 (GB) ..... 5003670

(51) **LOC (11) Cl.** ..... **27-01**

(52) **U.S. Cl.**  
USPC ..... **D27/101**

(58) **Field of Classification Search**  
USPC ..... D27/100, 101, 162, 163, 164, 165, 169,  
D27/170, 171, 194, 166, 167; D24/108,  
D24/110, 110.5  
CPC ..... A24F 1/00; A24F 1/02; A24F 1/04; A24F  
1/06; A24F 1/08; A24F 1/10; A24F 1/12;  
A24F 1/14; A24F 1/26; A24F 1/28; A24F  
7/00; A24F 7/02; A24F 7/04  
See application file for complete search history.

(56) **References Cited**

**U.S. PATENT DOCUMENTS**

- 4,141,369 A \* 2/1979 Burruss ..... A24F 1/00  
128/203.27
- D371,633 S \* 7/1996 Chenard ..... D27/163

\* cited by examiner

*Primary Examiner* — Eric Goodman

*Assistant Examiner* — Jennifer Campbell

(74) *Attorney, Agent, or Firm* — Davis Wright Tremaine  
LLP

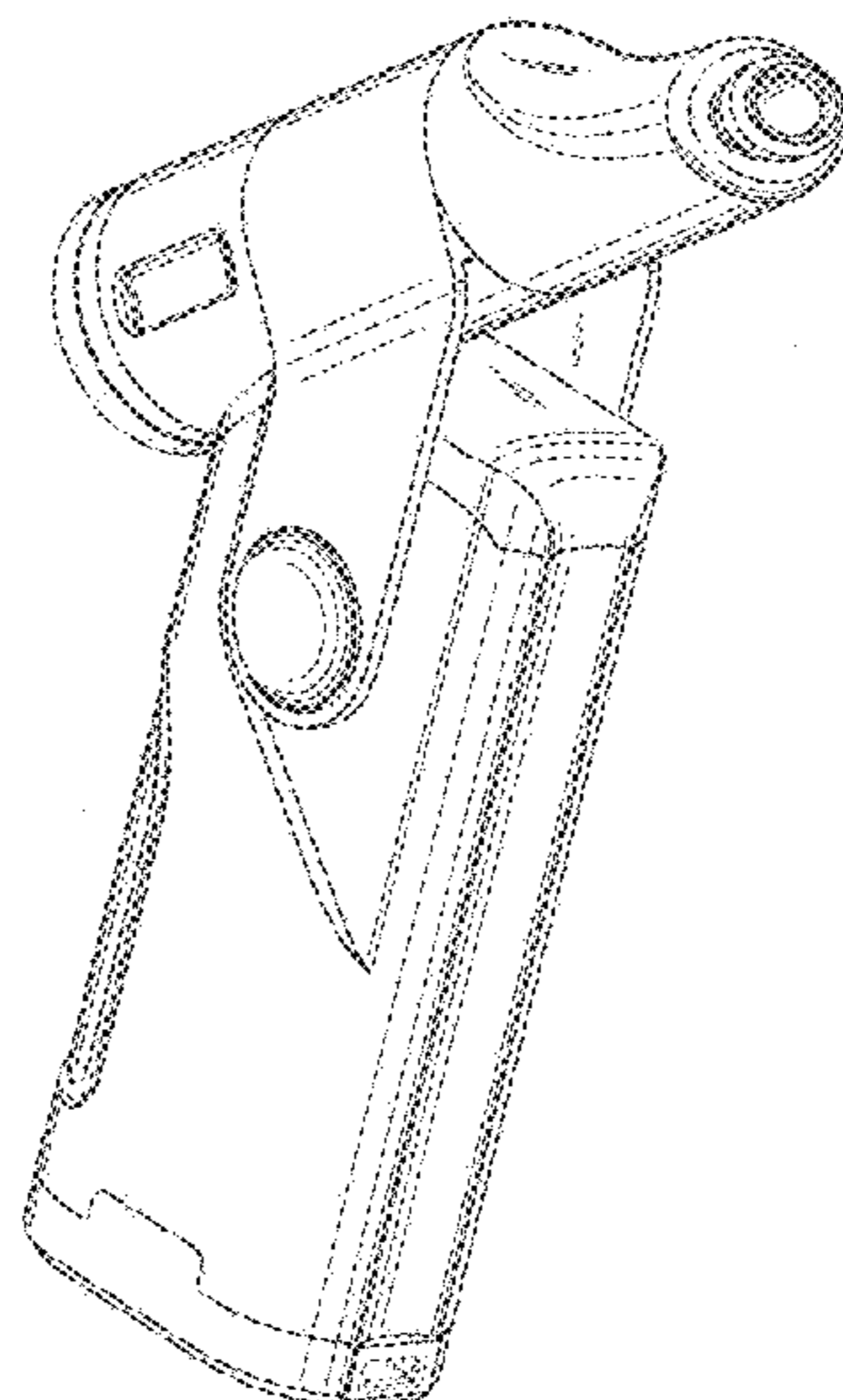
(57) **CLAIM**

The ornamental design for a personal vaporiser, as shown and described.

**DESCRIPTION**

FIG. 1 is a front perspective view of a personal vaporiser showing our new design;  
FIG. 2 is a bottom perspective view thereof;  
FIG. 3 is a left side plan view thereof;  
FIG. 4 is a right side plan view thereof;  
FIG. 5 is a front plan view thereof;  
FIG. 6 is a rear plan view thereof; and,  
FIG. 7 is a top plan view thereof.  
The broken lines depict portions of the personal vaporiser and form no part of the claimed design.

**1 Claim, 7 Drawing Sheets**



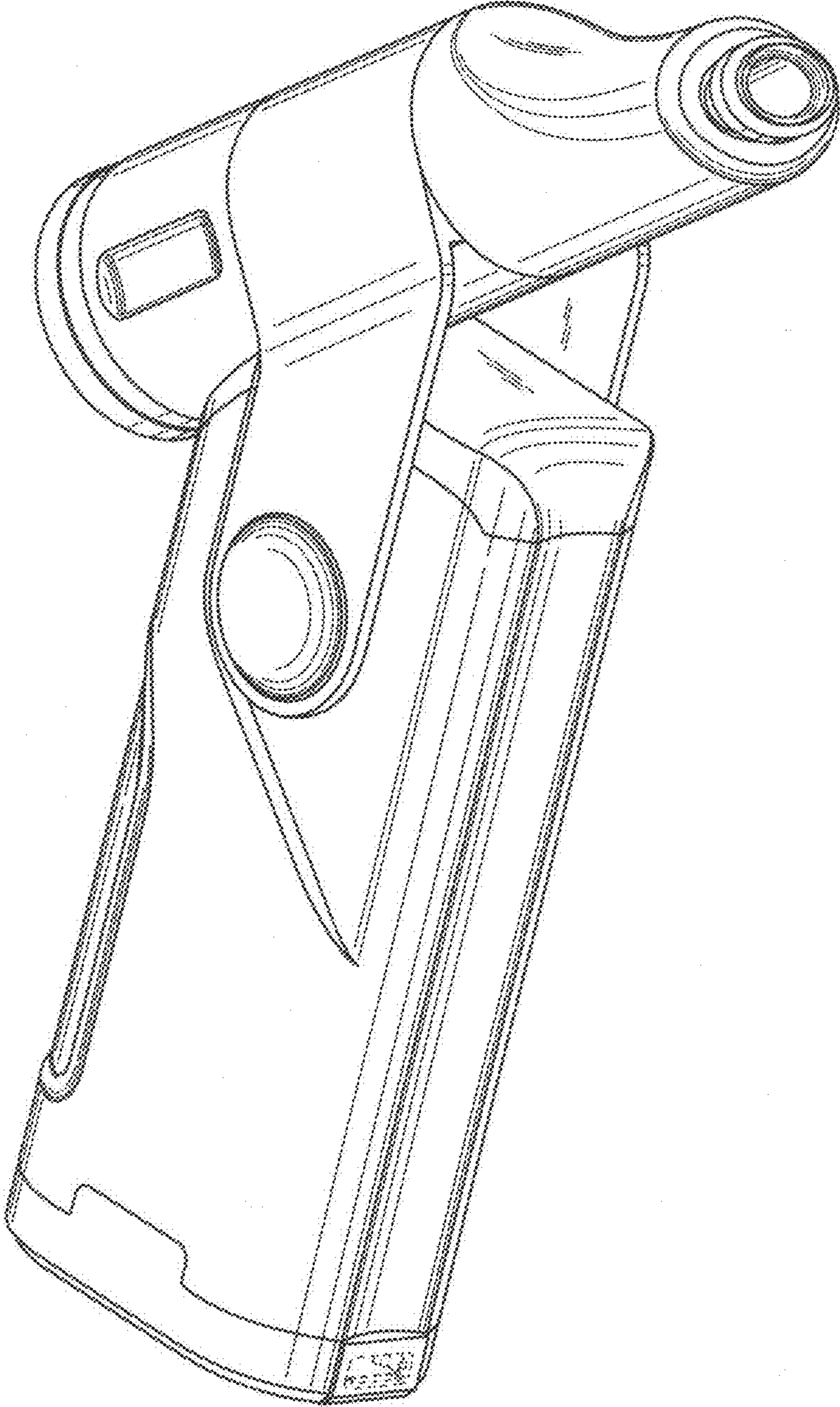


Fig. 1

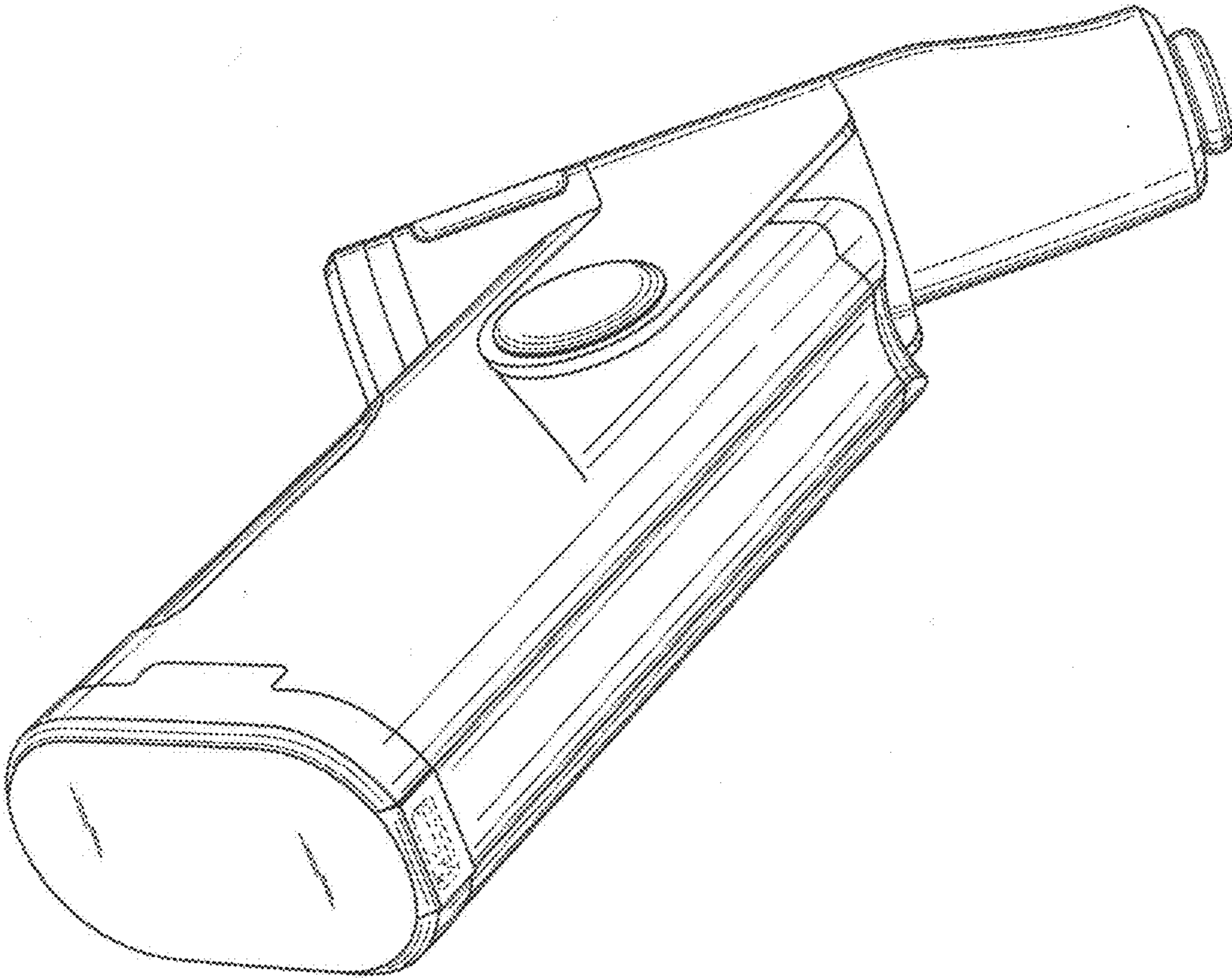


Fig. 2

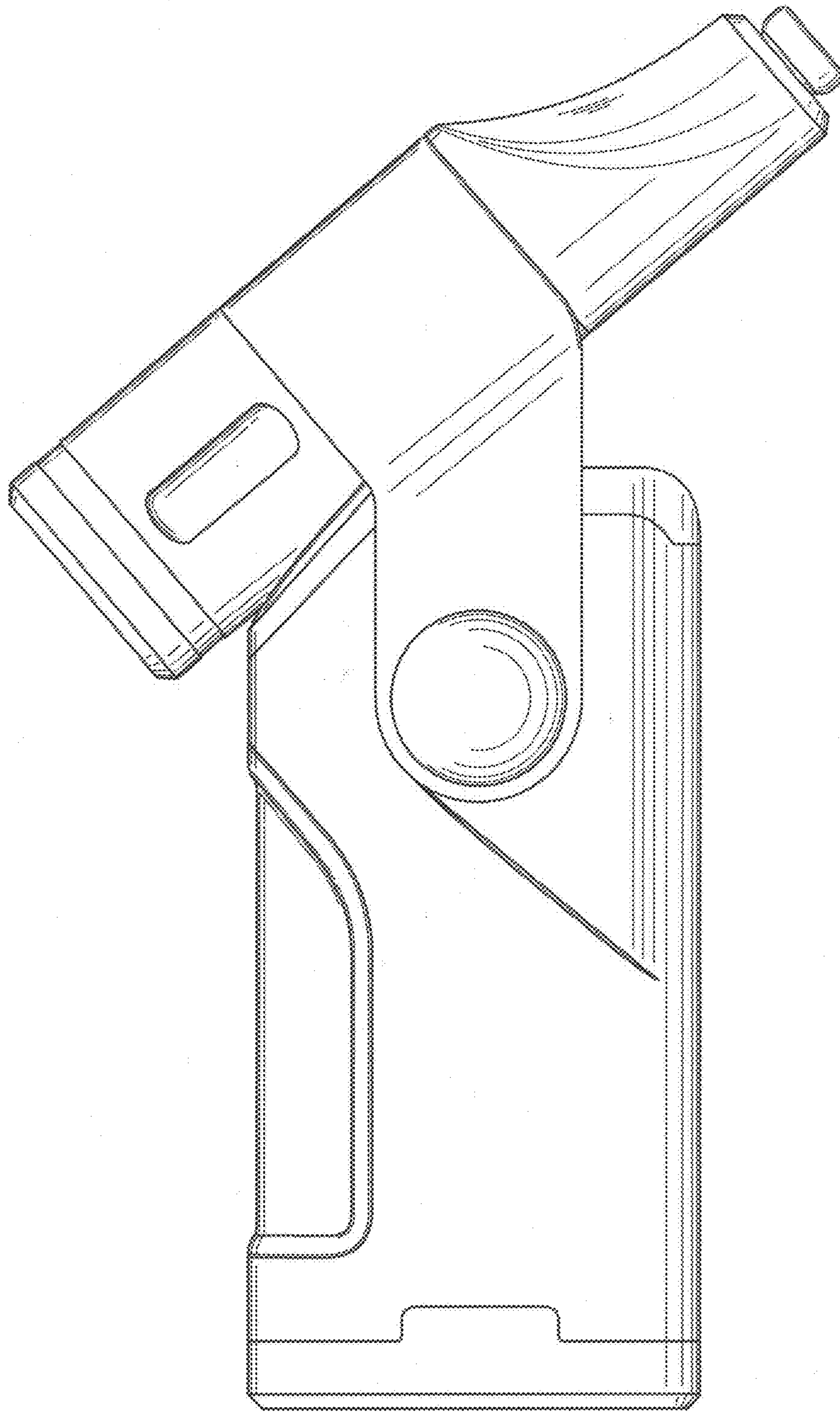


Fig. 3

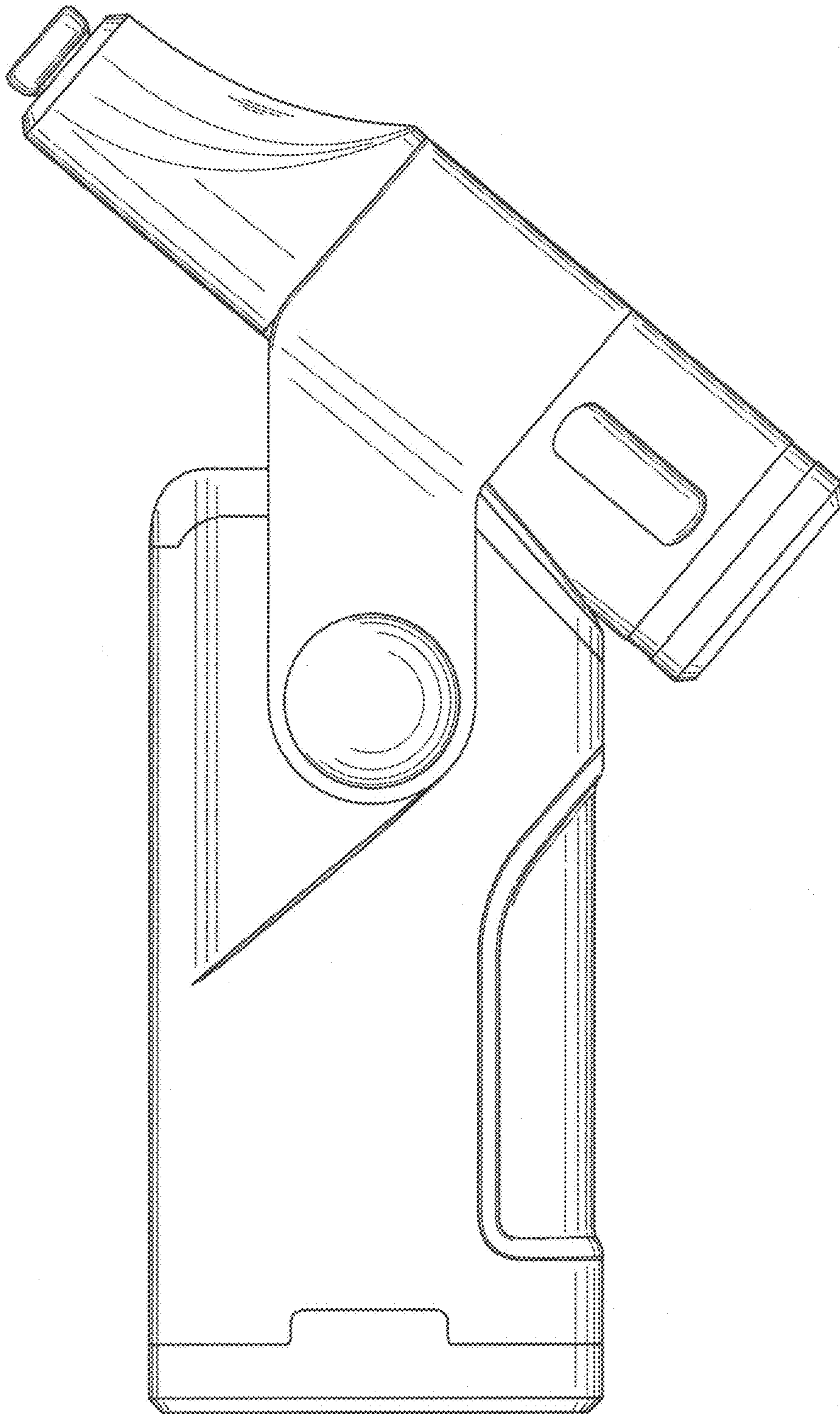


Fig. 4

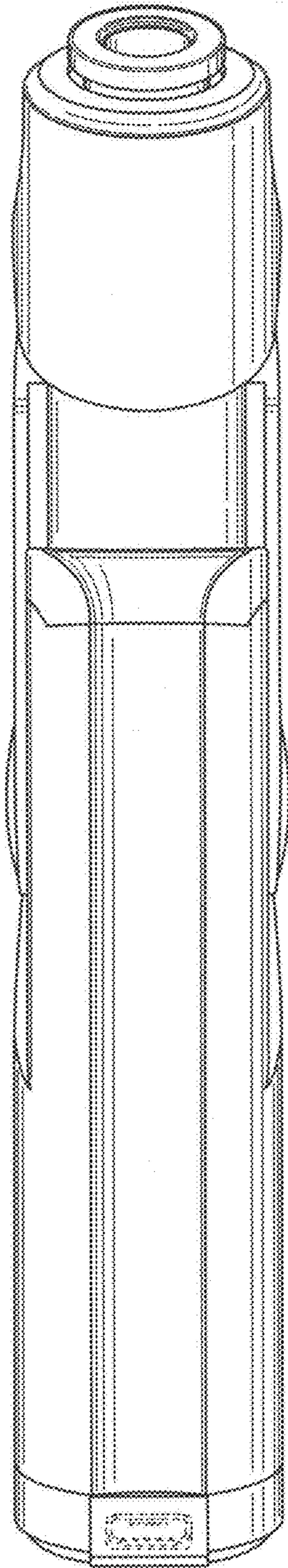


Fig. 5

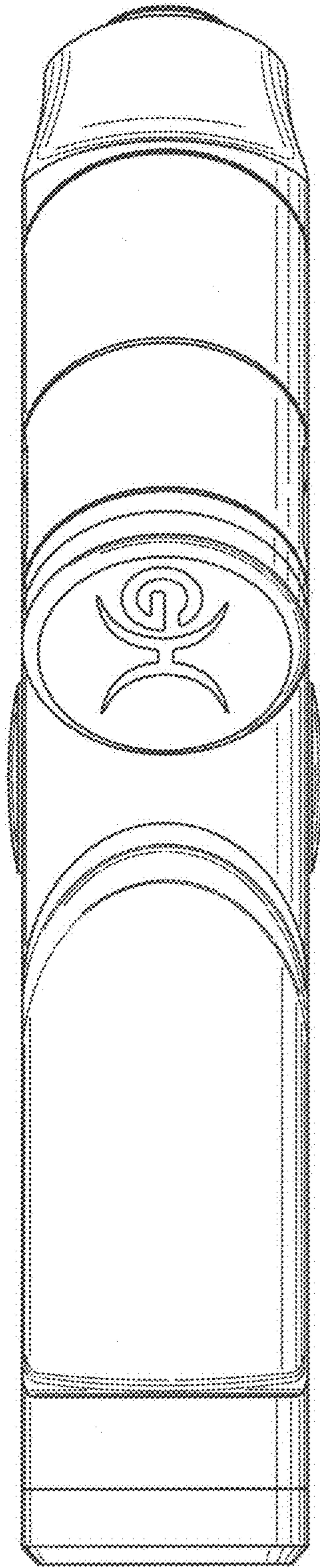


Fig. 6

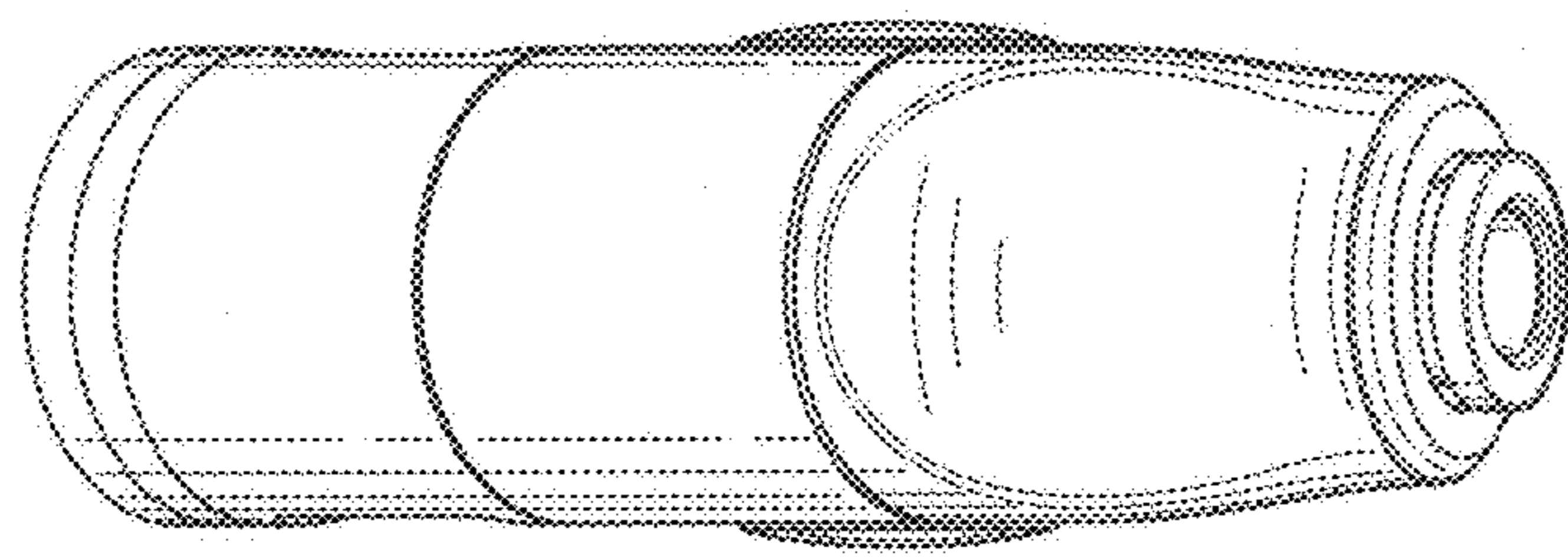


Fig. 7