



US00D824584S

(12) **United States Design Patent** (10) **Patent No.:** **US D824,584 S**
Klus (45) **Date of Patent:** **** Jul. 31, 2018**

(54) **HOUSING FOR LED-BASED LIGHTING APPARATUS**

(71) Applicant: **Sylwester Klus**, Kamionka (PL)

(72) Inventor: **Sylwester Klus**, Kamionka (PL)

(**) Term: **15 Years**

(21) Appl. No.: **29/566,287**

(22) Filed: **May 27, 2016**

(51) **LOC (11) Cl.** **26-05**

(52) **U.S. Cl.**
USPC **D26/138**

(58) **Field of Classification Search**
USPC D26/76, 78, 79, 80, 81, 82, 83, 85, 86,
D26/88, 90, 113, 118, 119, 120, 121, 122,
D26/138, 139, 140, 141, 142, 152
CPC F21S 2/00; F21S 4/00; F21S 4/003; F21S
4/005; F21S 4/006; F21S 4/007; F21S
4/008; F21S 6/00; F21S 8/00; F21S
8/024; F21S 8/026; F21S 8/031; F21S
8/033; F21S 8/035–8/037; F21S 8/04;
F21S 8/043; F21S 8/063
See application file for complete search history.

(56) **References Cited**

U.S. PATENT DOCUMENTS

D227,984 S *	7/1973	Lang et al.	D25/125
D246,928 S *	1/1978	Win	D26/152
D246,929 S *	1/1978	Win	D26/152
D246,930 S *	1/1978	Win	D26/152
D342,579 S *	12/1993	Mason	D25/119

D345,268 S *	3/1994	Pate	D25/119
D356,645 S *	3/1995	Boer	D25/119
D621,961 S *	8/2010	Gardner	D25/119
D649,690 S *	11/2011	Trzesniowski	D26/138
D698,076 S *	1/2014	Klus	D26/138
D782,105 S *	3/2017	Klus	D26/138
D794,245 S *	8/2017	Klus	D26/142

* cited by examiner

Primary Examiner — George D. Kirschbaum

Assistant Examiner — Natasha Vujcic

(74) *Attorney, Agent, or Firm* — Mark Terry

(57) **CLAIM**

The ornamental design for housing for LED-based lighting apparatus, as shown and described.

DESCRIPTION

FIG. 1 is a top perspective view of a housing for LED-based lighting apparatus, showing the new design; FIG. 2 is a bottom perspective view thereof; FIG. 3 is a left side view thereof; FIG. 4 is a bottom view thereof; FIG. 5 is a right side view thereof; FIG. 6 is a top view thereof; FIG. 7 is another right side view thereof; FIG. 8 is rear view thereof; FIG. 9 is yet another right side view thereof; and, FIG. 10 is a front view thereof.

The uniformly dashed lines shown in the drawings illustrate portions of the housing for LED-based lighting apparatus which form no part of the claimed design.

1 Claim, 3 Drawing Sheets

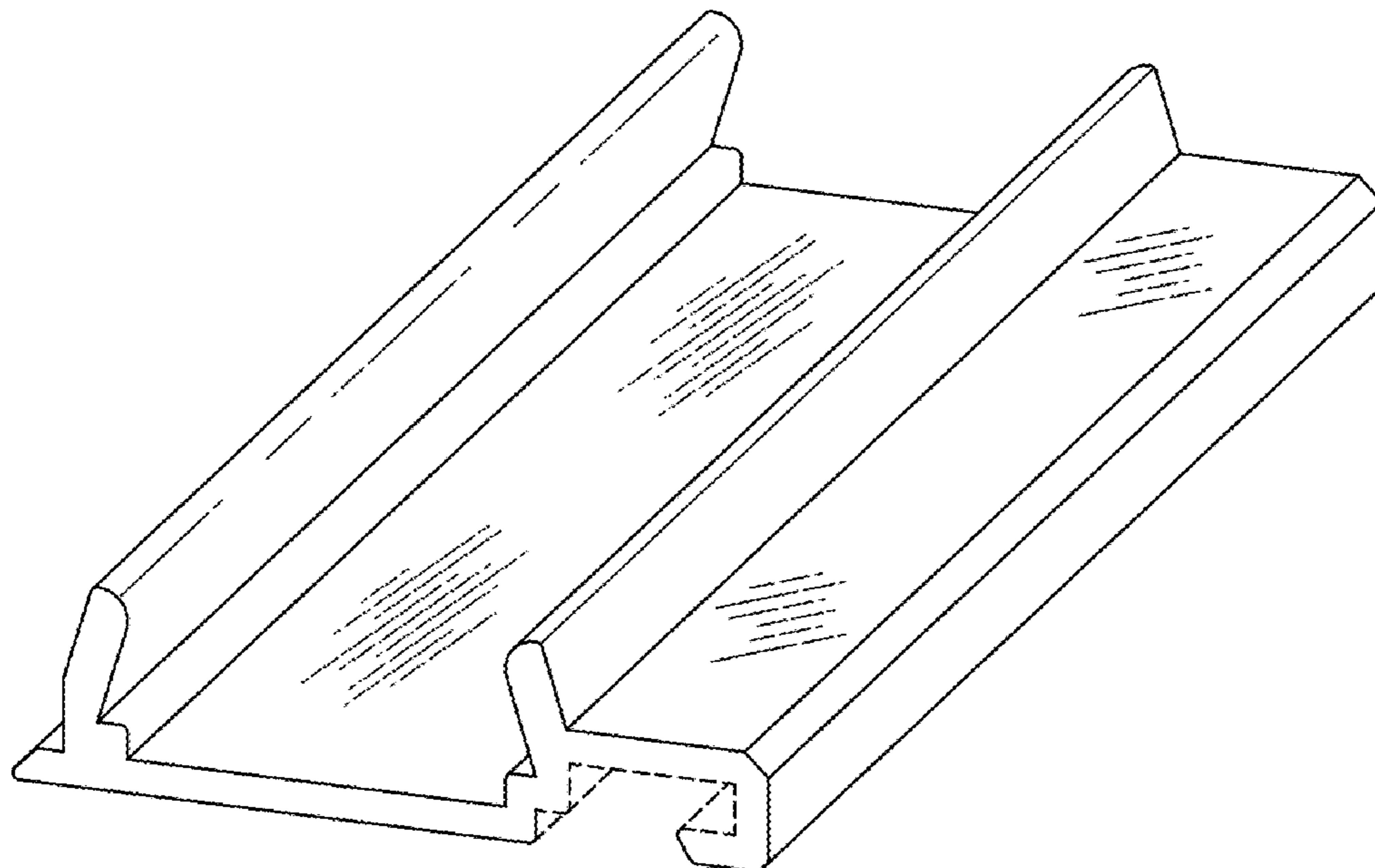


Fig. 1

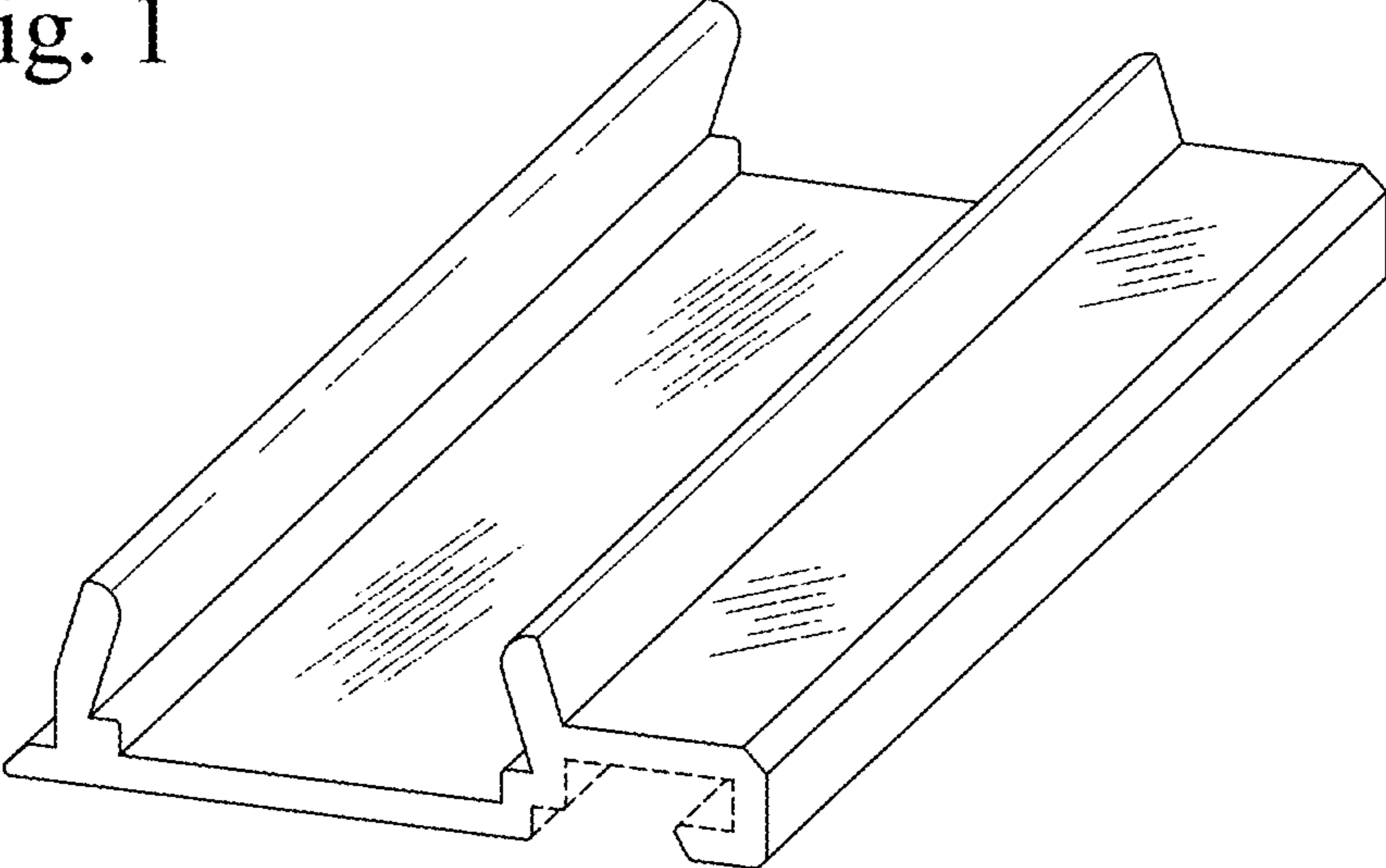


Fig. 2

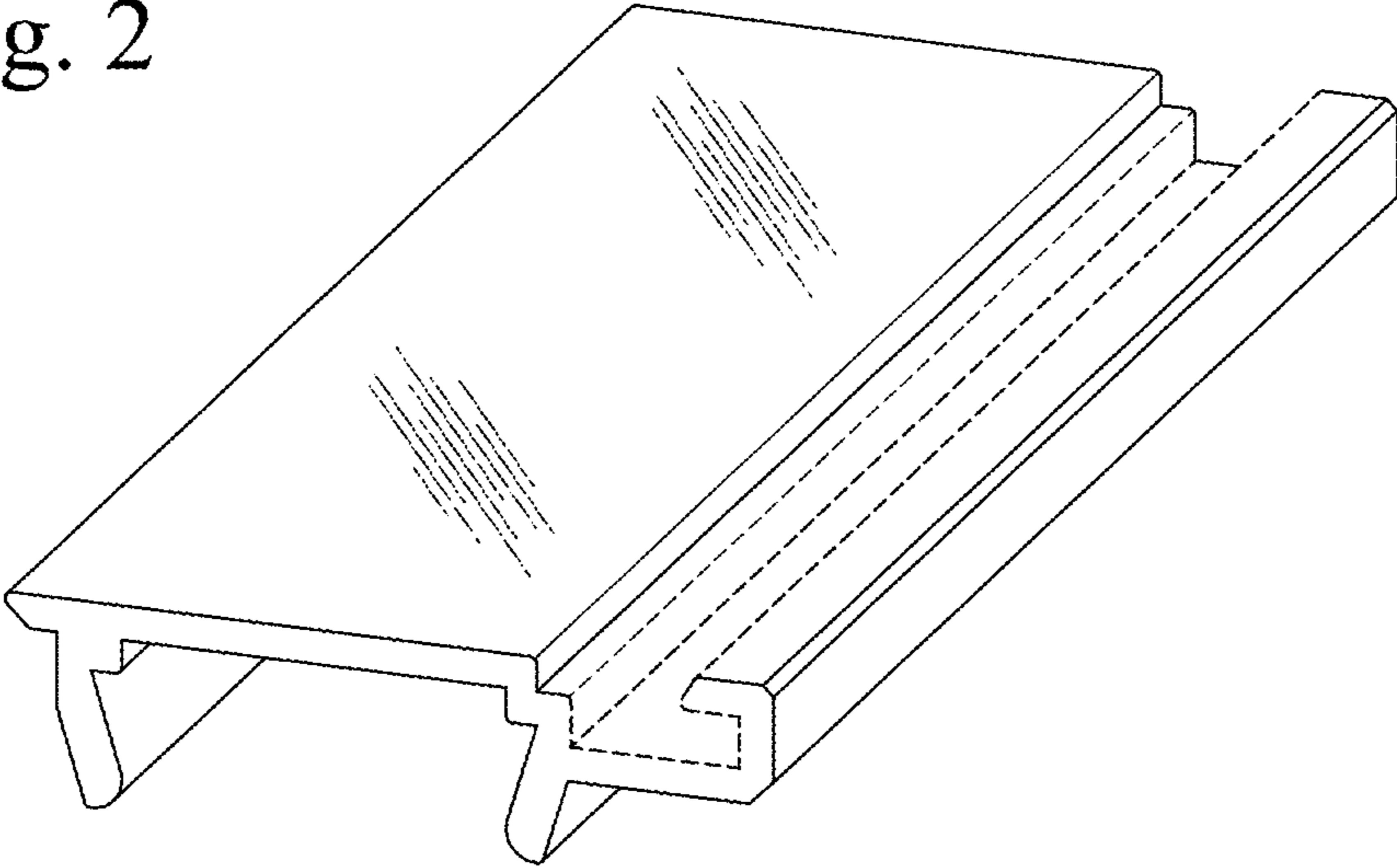


Fig. 3

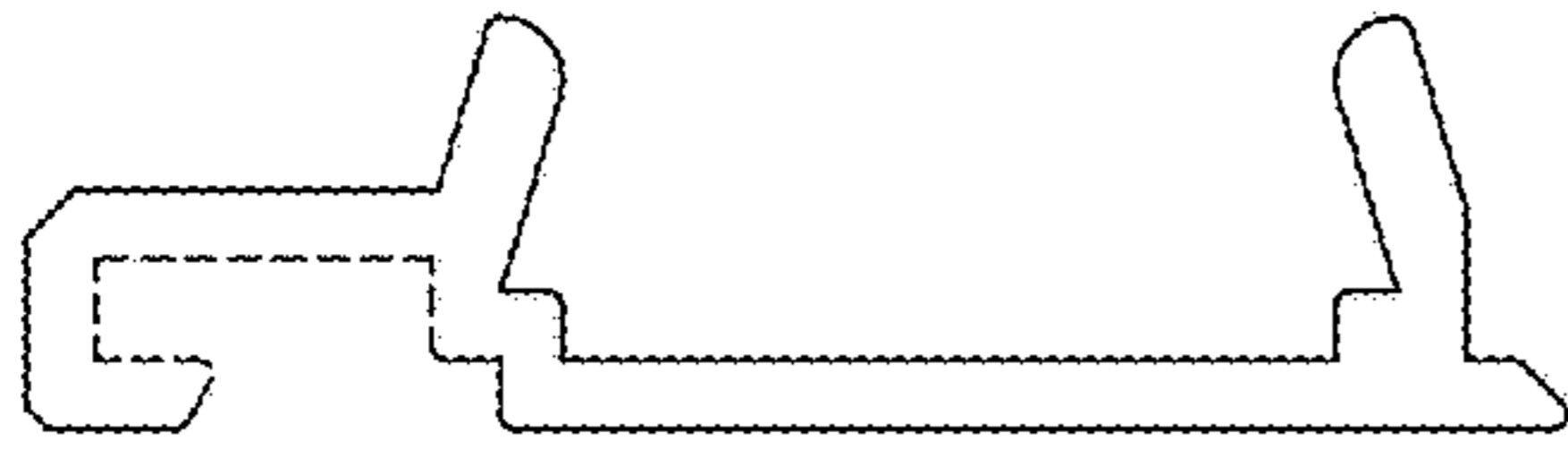


Fig. 5

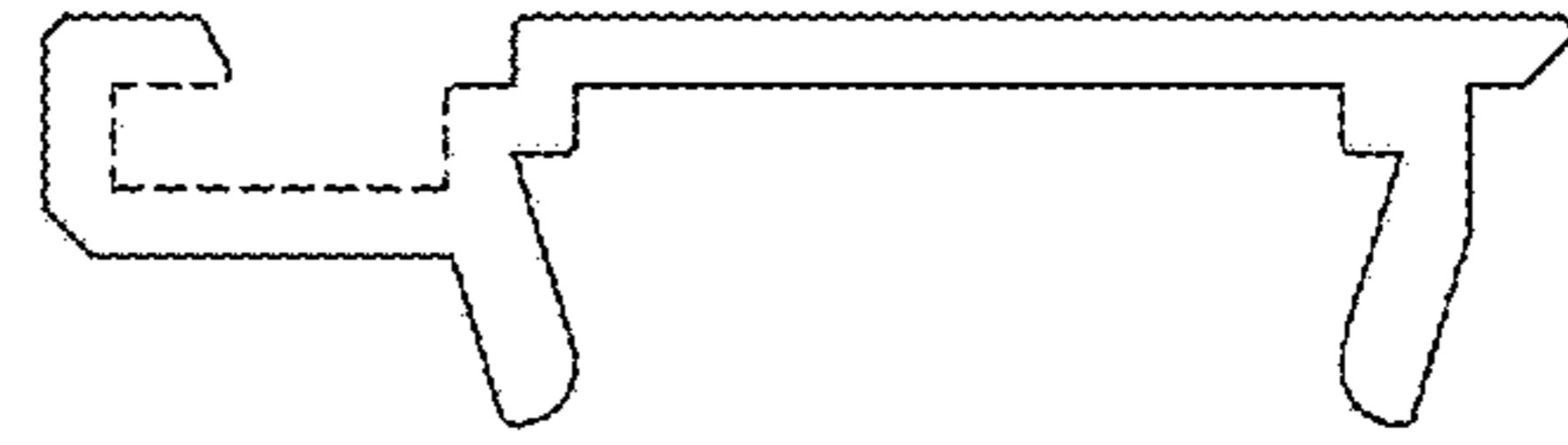


Fig. 4

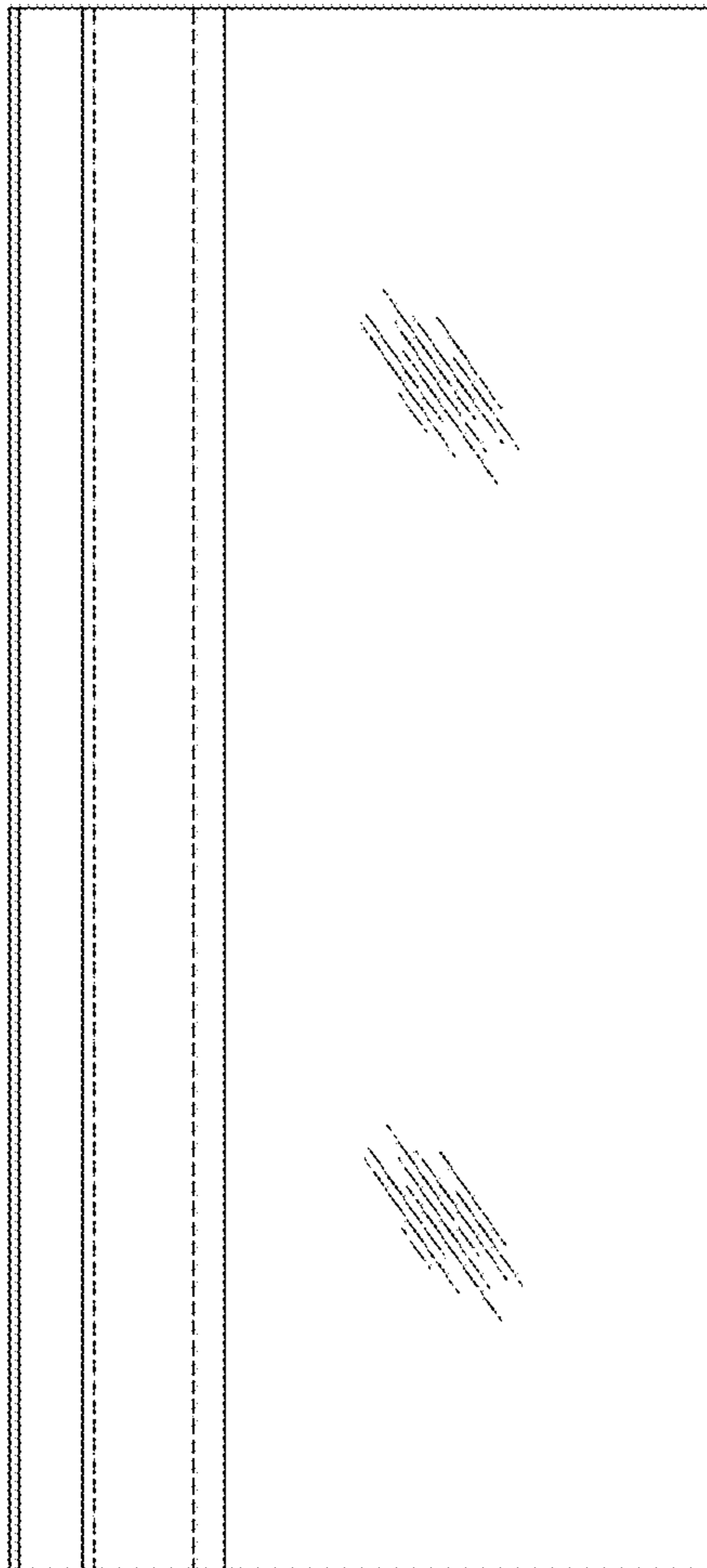


Fig. 6

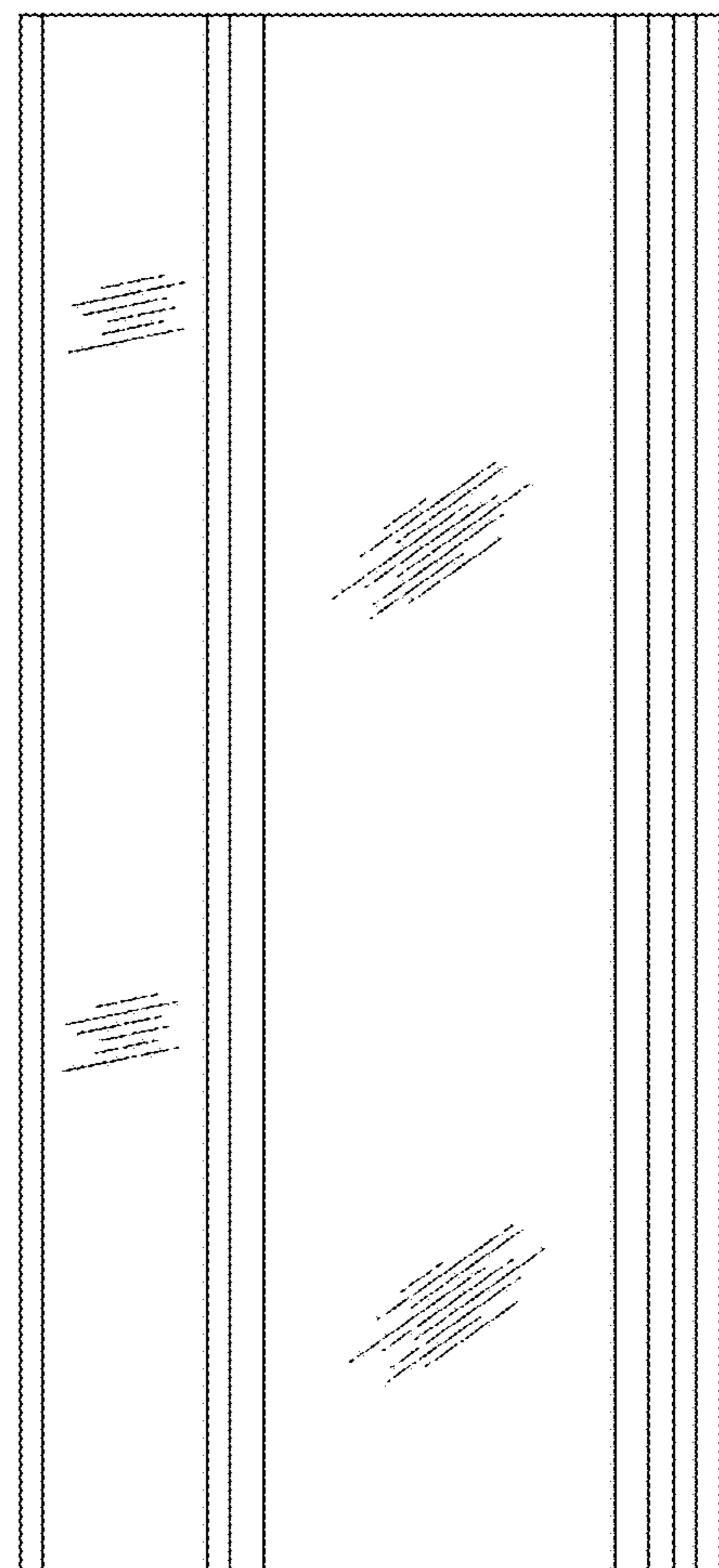


Fig. 7

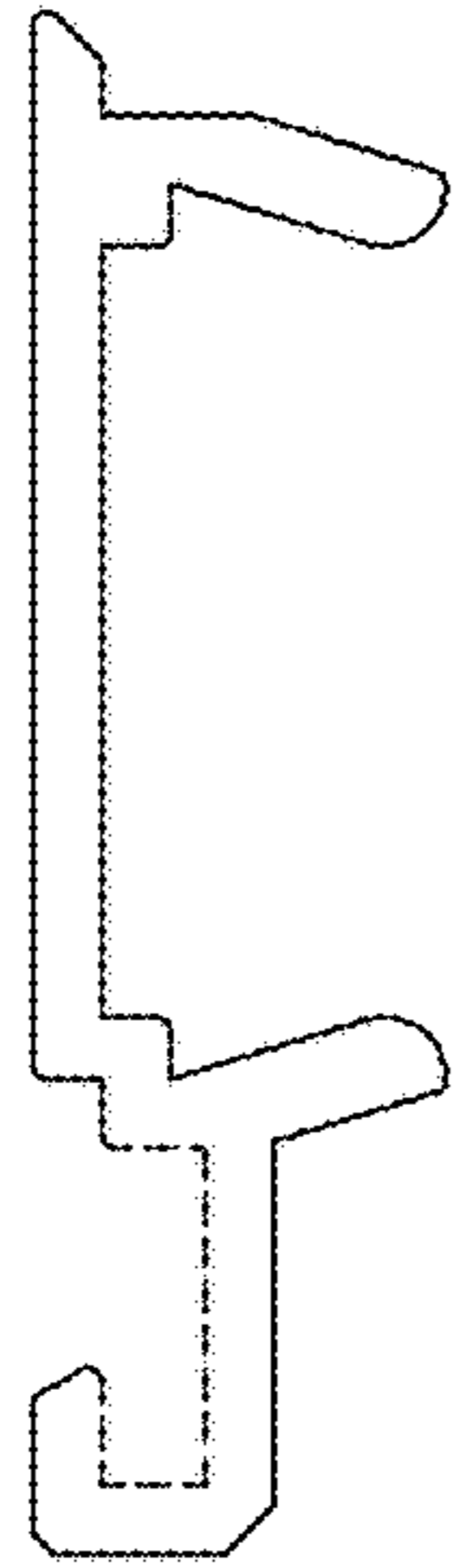


Fig. 9

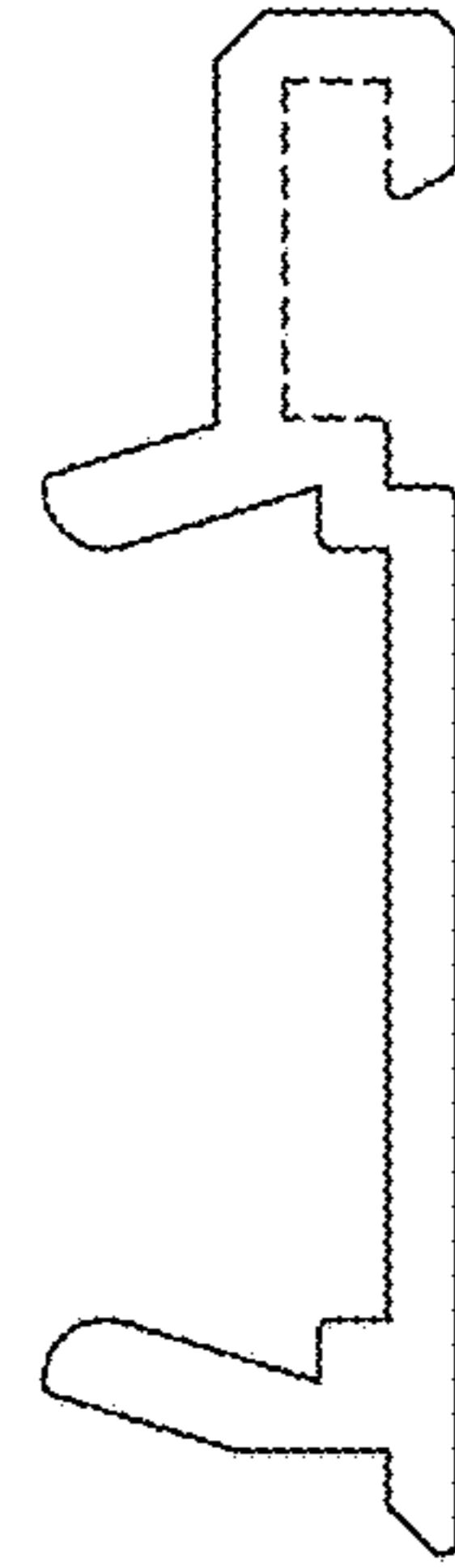


Fig. 8

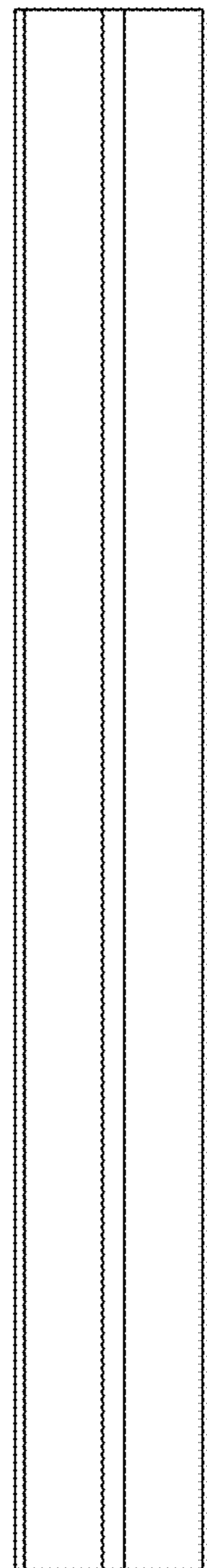


Fig. 10

