



US00D824579S

(12) **United States Design Patent**  
**Chen**

(10) **Patent No.:** **US D824,579 S**

(45) **Date of Patent:** **\*\* Jul. 31, 2018**

(54) **MOTHER AND CHILD FLOOR LAMP**

(71) Applicant: **Dong Guan Yitai Lighting Technology Co., Ltd.**, Dongguan (CN)

(72) Inventor: **Yi Chen**, Dongguan (CN)

(73) Assignee: **Dong Guan Yitai Lighting Technology Co., Ltd.**, Dongguan (CN)

(\*\*) Term: **15 Years**

(21) Appl. No.: **29/604,401**

(22) Filed: **May 17, 2017**

(51) **LOC (11) Cl.** ..... **26-03**

(52) **U.S. Cl.**  
USPC ..... **D26/107; D26/65**

(58) **Field of Classification Search**  
USPC ..... D26/1, 24, 67, 93-94, 102, 104-110, D26/113, 118  
CPC ..... F21K 5/023; F21S 8/021; F21S 48/142; F21S 9/02; F21V 33/006; F21Y 2101/02  
See application file for complete search history.

(56) **References Cited**

**U.S. PATENT DOCUMENTS**

D381,104 S \* 7/1997 Linstone ..... D26/102  
D420,758 S \* 2/2000 Yang ..... D26/106

D484,268 S \* 12/2003 Hsieh ..... D26/102  
D500,880 S \* 1/2005 Swanson ..... D26/102  
D603,994 S \* 11/2009 Sabernig ..... D26/65  
D628,338 S \* 11/2010 Sabernig ..... D26/65

\* cited by examiner

*Primary Examiner* — Brian N. Vinson

(74) *Attorney, Agent, or Firm* — Wang Law Firm, Inc.

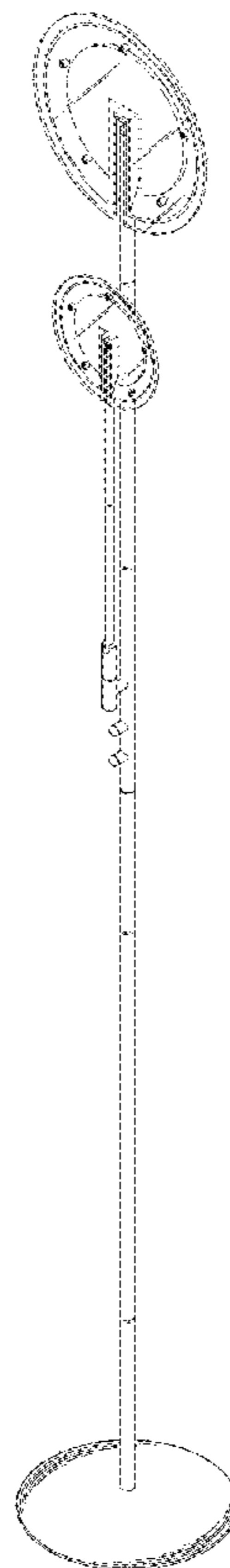
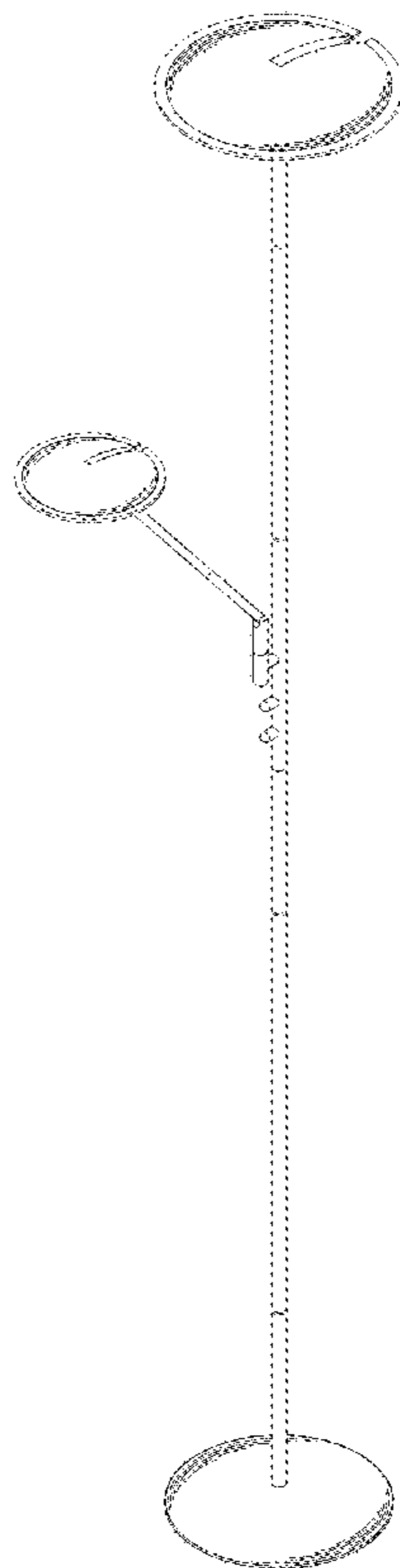
(57) **CLAIM**

The ornamental design for a mother and child floor lamp, as shown and described.

**DESCRIPTION**

FIG. 1 is a perspective view of the mother and child floor lamp showing my new design;  
FIG. 2 is a front elevation view thereof;  
FIG. 3 is a rear elevation view thereof;  
FIG. 4 is a left side elevation view thereof;  
FIG. 5 is a top plan view thereof;  
FIG. 6 is a bottom plan view thereof; and,  
FIG. 7 is perspective view thereof showing both heads and one arm pivoted to an alternate position.

**1 Claim, 7 Drawing Sheets**



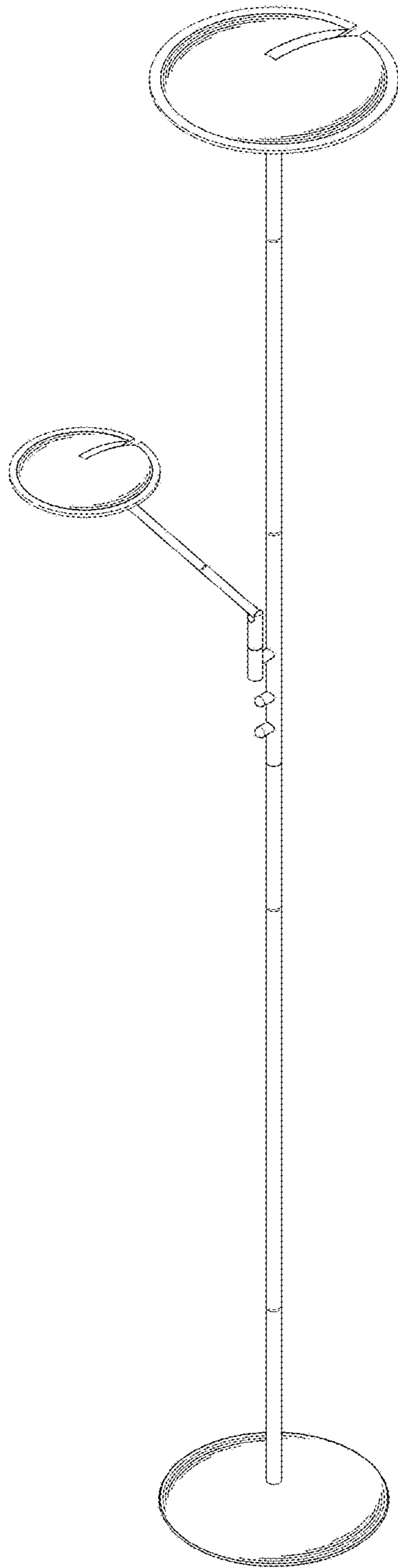


FIG.1

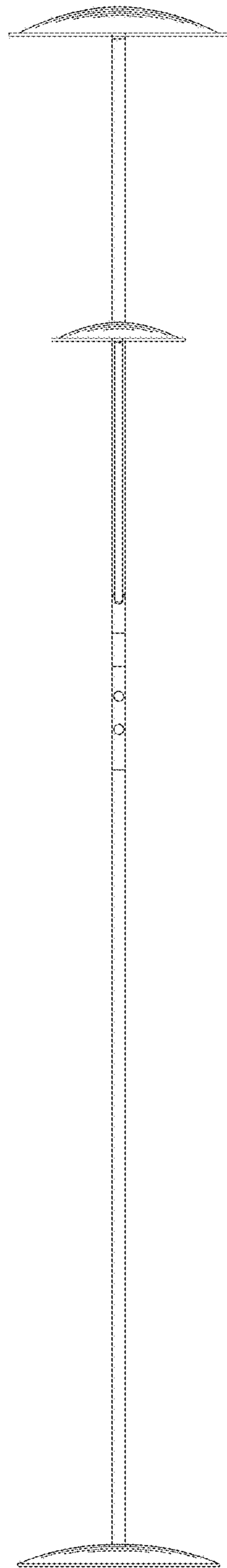


FIG.2

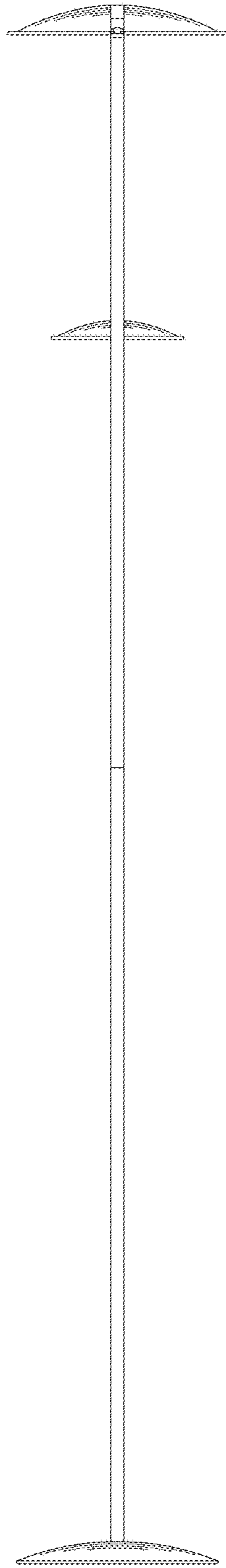


FIG.3

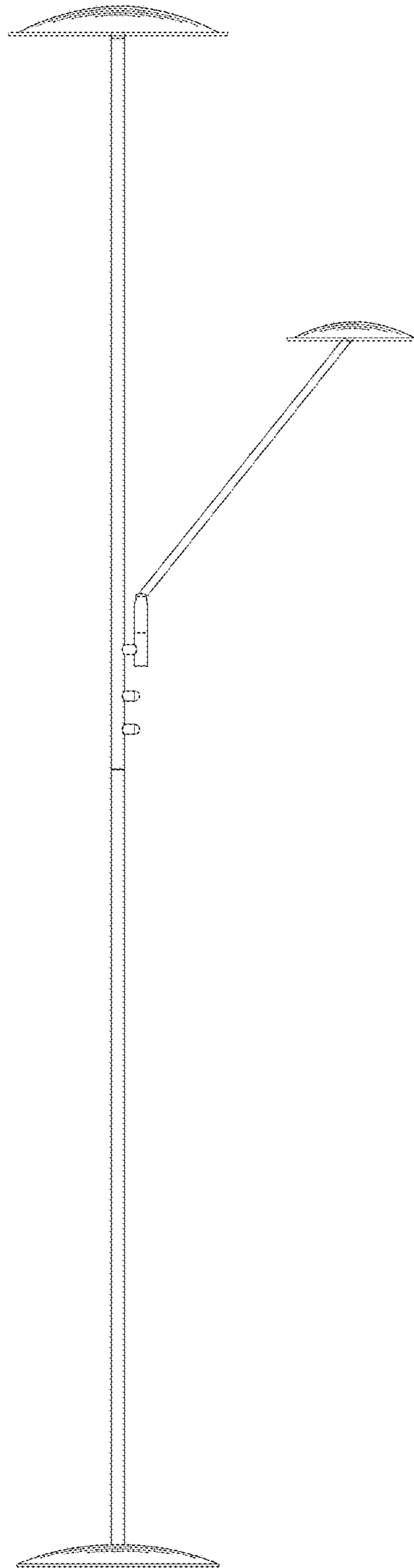


FIG.4

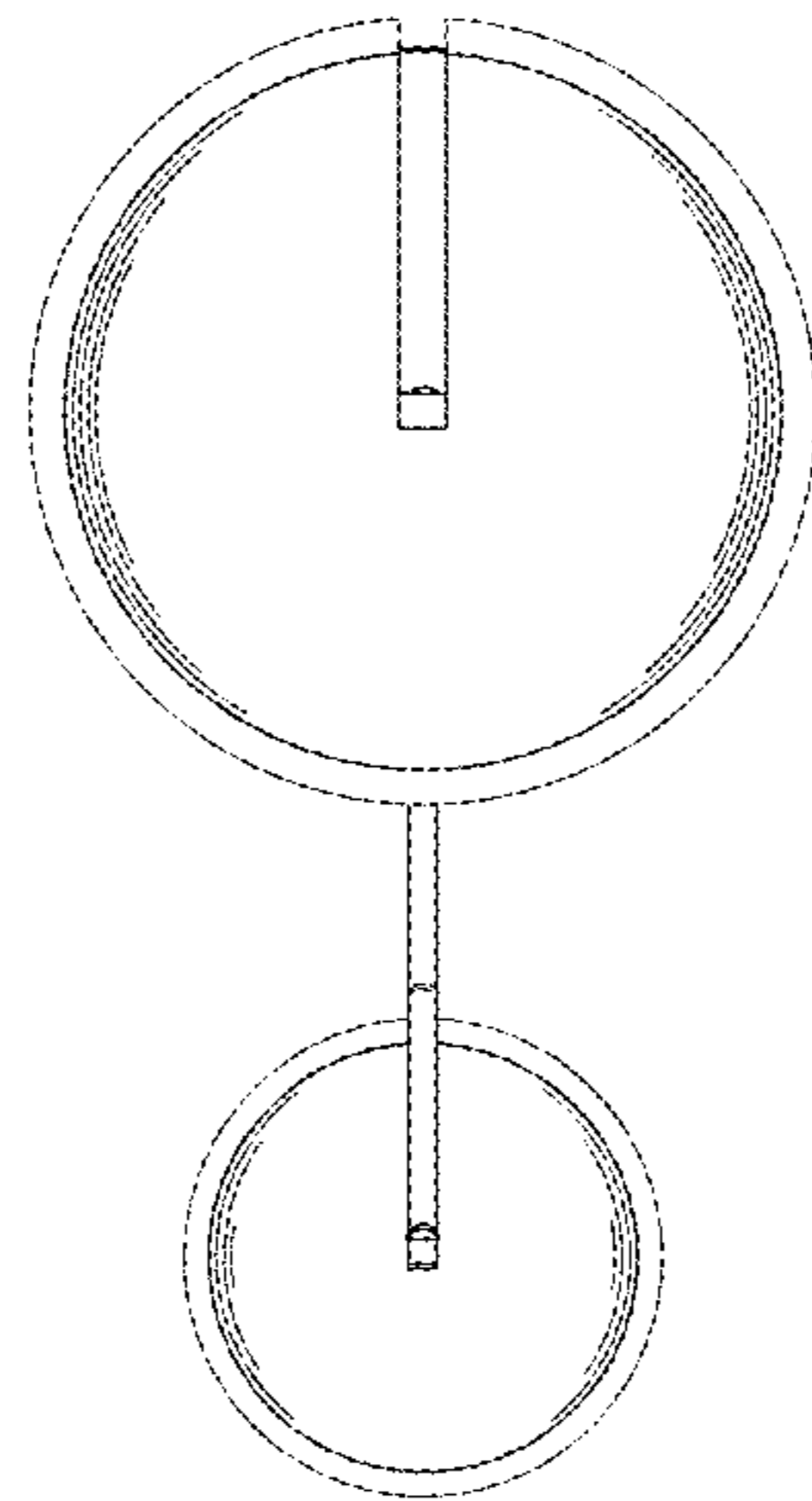


FIG.5

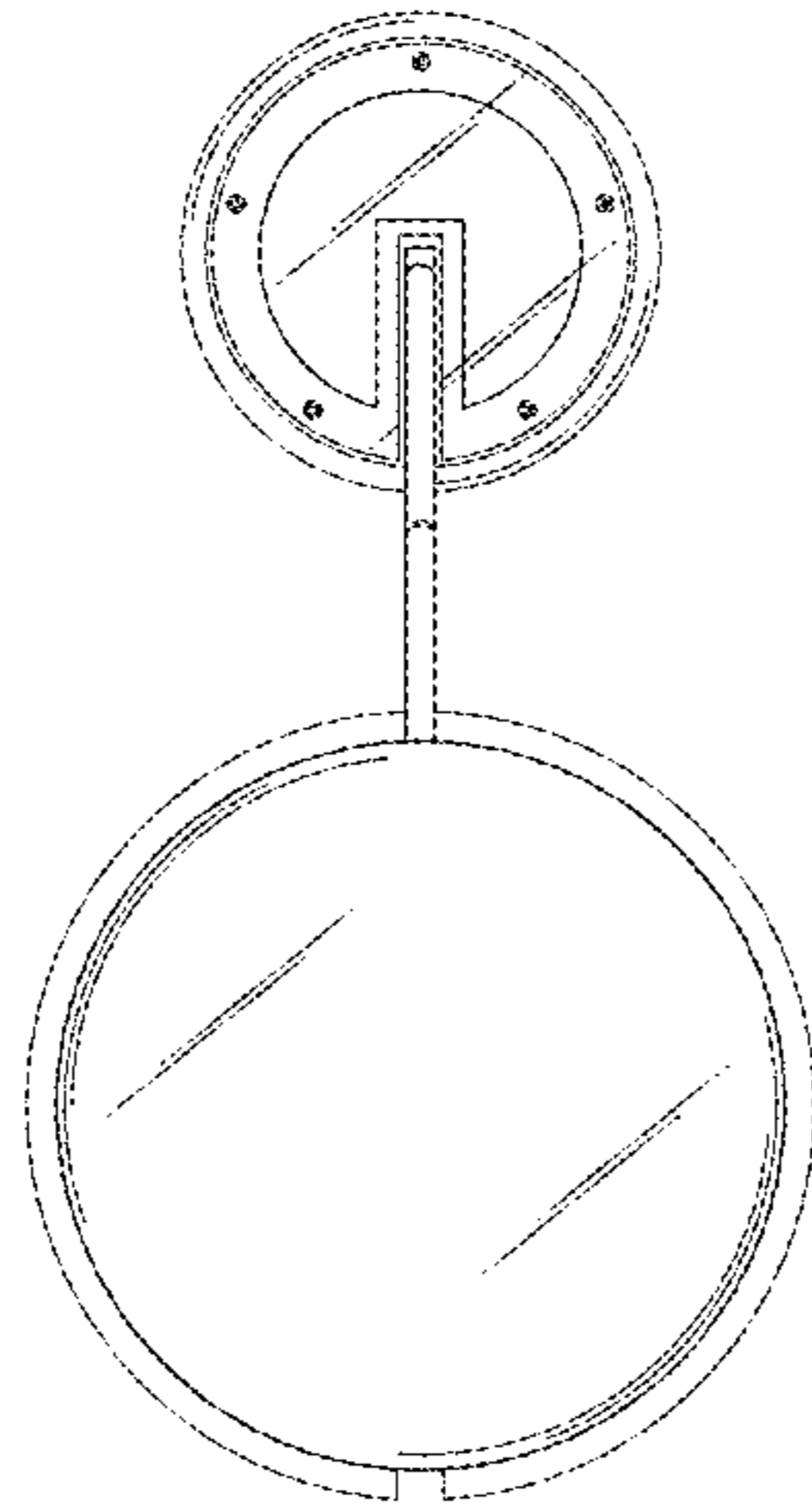


FIG.6

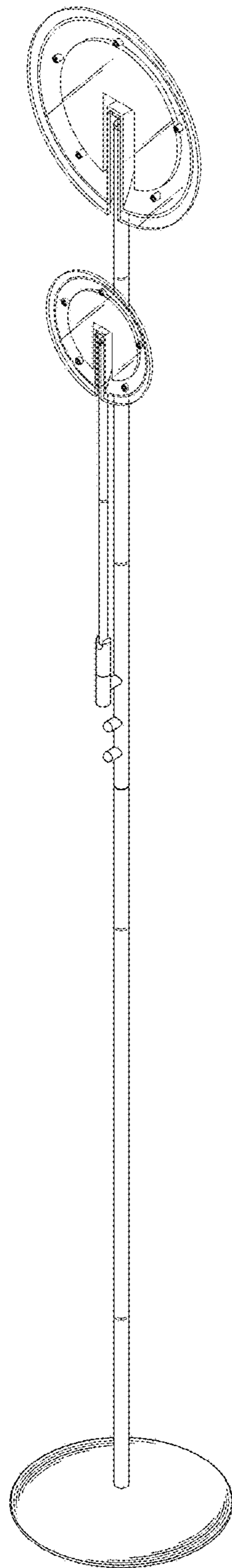


FIG.7