



US00D824575S

(12) **United States Design Patent**
Boulanger et al.

(10) **Patent No.:** **US D824,575 S**
(45) **Date of Patent:** **** Jul. 31, 2018**

(54) **LIGHT**

(71) Applicant: **CP IP Holdings Limited**, Central Hong Kong (CN)

(72) Inventors: **Dave Boulanger**, Hong Kong (CN);
Maciej Nowakowski, West Vancouver (CA)

(**) Term: **15 Years**

(21) Appl. No.: **29/590,346**

(22) Filed: **Jan. 10, 2017**

(51) **LOC (11) Cl.** **26-05**

(52) **U.S. Cl.**
USPC **D26/89**

(58) **Field of Classification Search**
USPC D10/111-115; D26/28, 35, 72, 74,
D26/79-81, 83, 85, 86, 88, 89, 91,
D26/118-122
CPC F21S 8/02; F21S 8/03; F21S 8/04; F21S
8/033; F21S 8/043; F21V 21/02
See application file for complete search history.

(56) **References Cited**

U.S. PATENT DOCUMENTS

D47,610 S * 7/1915 Owen D26/130
D461,265 S * 8/2002 Hill D26/36
D508,577 S * 8/2005 Foo D26/28

D633,644 S * 3/2011 Sprengers D26/89
D745,713 S * 12/2015 Hansen D26/28
D763,491 S * 8/2016 Tsai D26/28
D784,585 S * 4/2017 Philips D26/63
D785,848 S * 5/2017 Couture D26/89
D793,589 S * 8/2017 Deyaf D26/28
D808,565 S * 1/2018 Ambrozus D26/74
2014/0056026 A1* 2/2014 Boomgaarden F21S 8/026
362/609
2016/0366738 A1* 12/2016 Boulanger F21V 17/005

* cited by examiner

Primary Examiner — Kevin K Rudzinski

Assistant Examiner — Richard Kearney

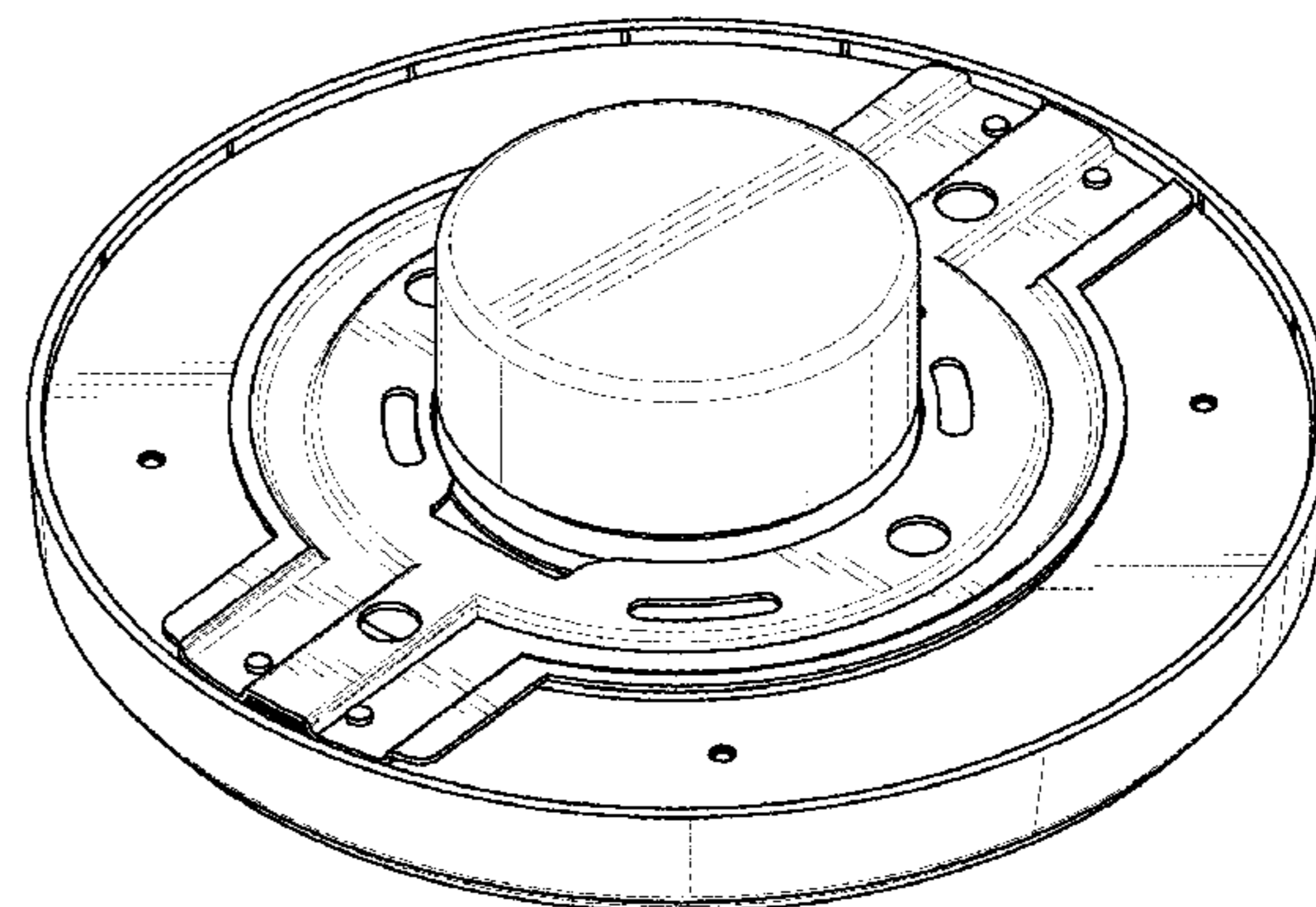
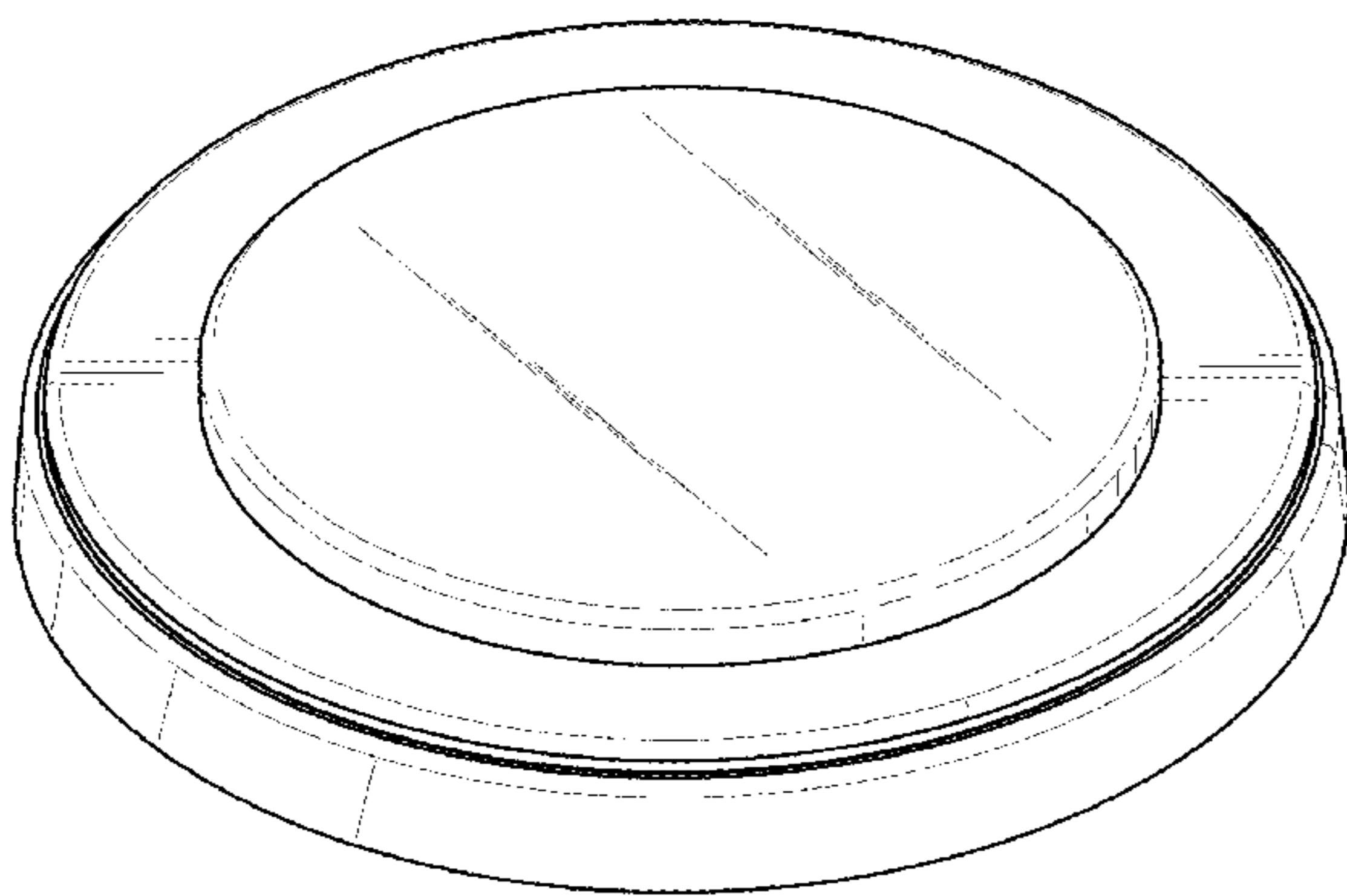
(57) **CLAIM**

We claim the ornamental design for a light, as shown and described.

DESCRIPTION

FIG. 1 is a perspective view of the light;
FIG. 2 is a top view of the light;
FIG. 3 is a bottom view of the light;
FIG. 4 is a front view of the light;
FIG. 5 is a rear view of the light;
FIG. 6 is a left-hand view of the light;
FIG. 7 is a right-hand view of the light; and,
FIG. 8 is another perspective view of the light.
The light is useful for emanating light. The light can mounted to a wall or ceiling.

1 Claim, 4 Drawing Sheets



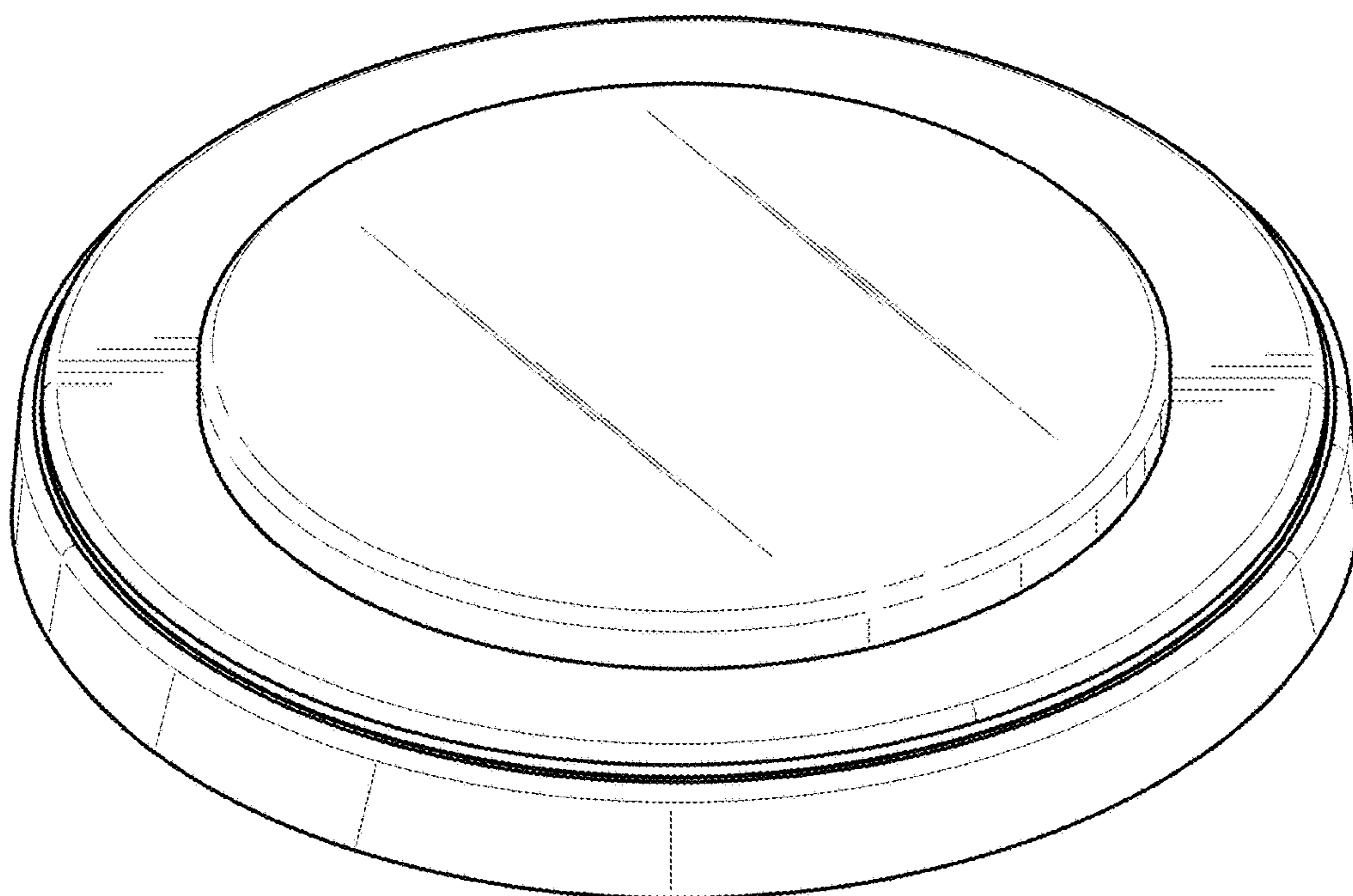


FIG. 1

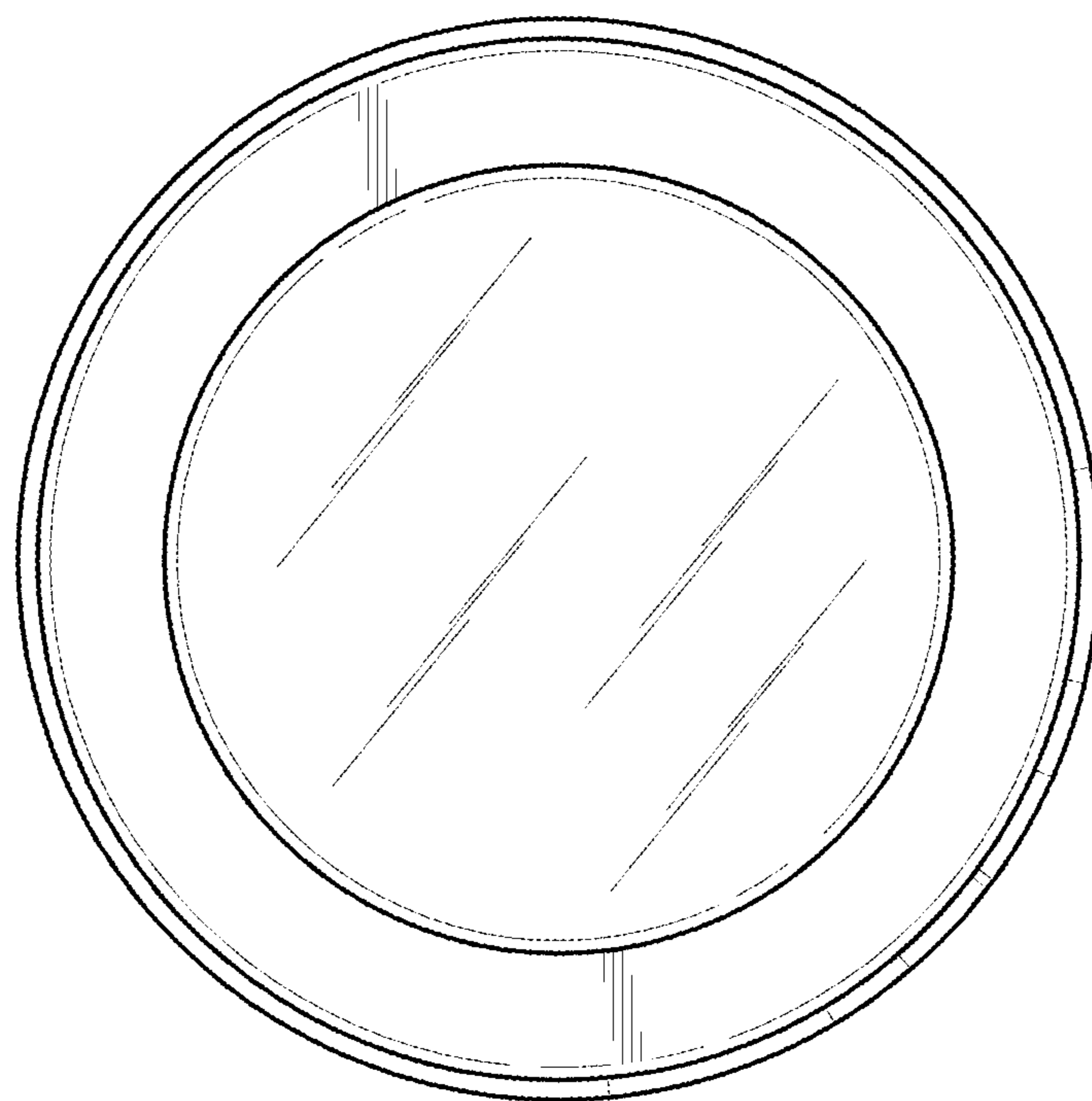


FIG. 2

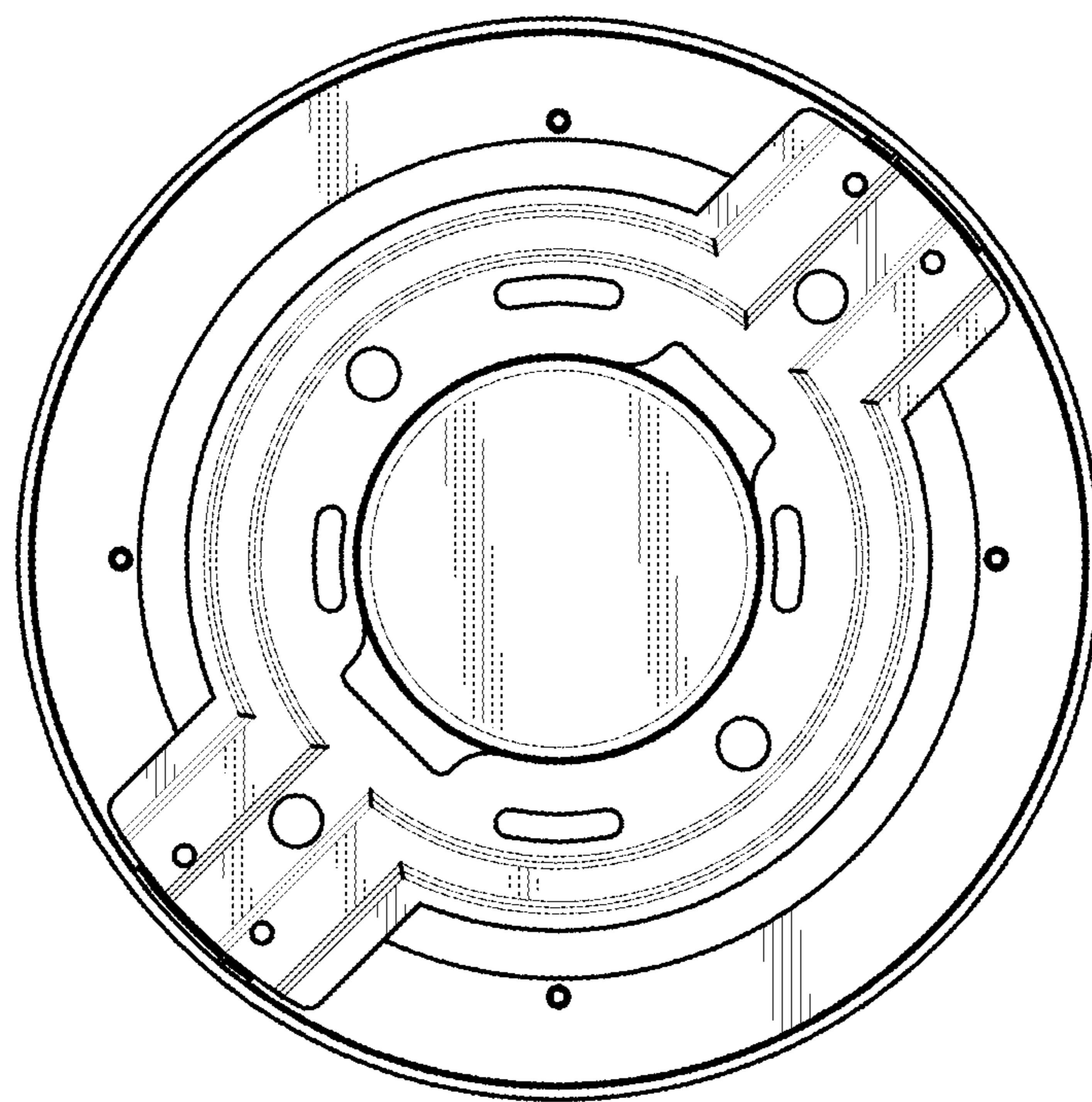


FIG. 3

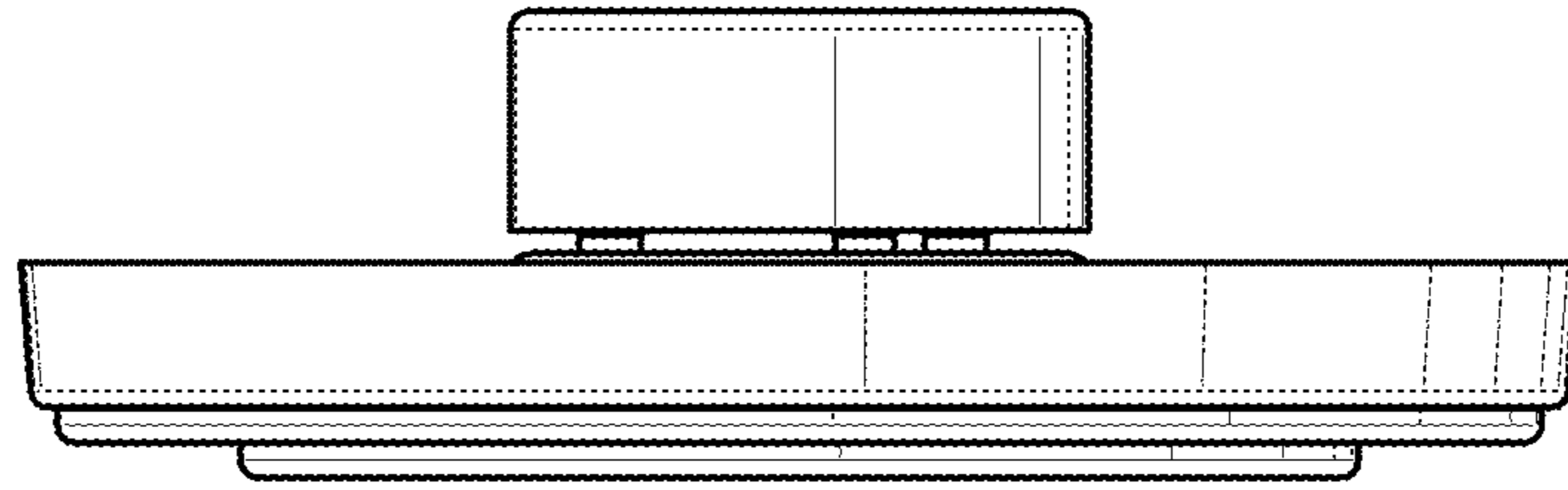


FIG. 6

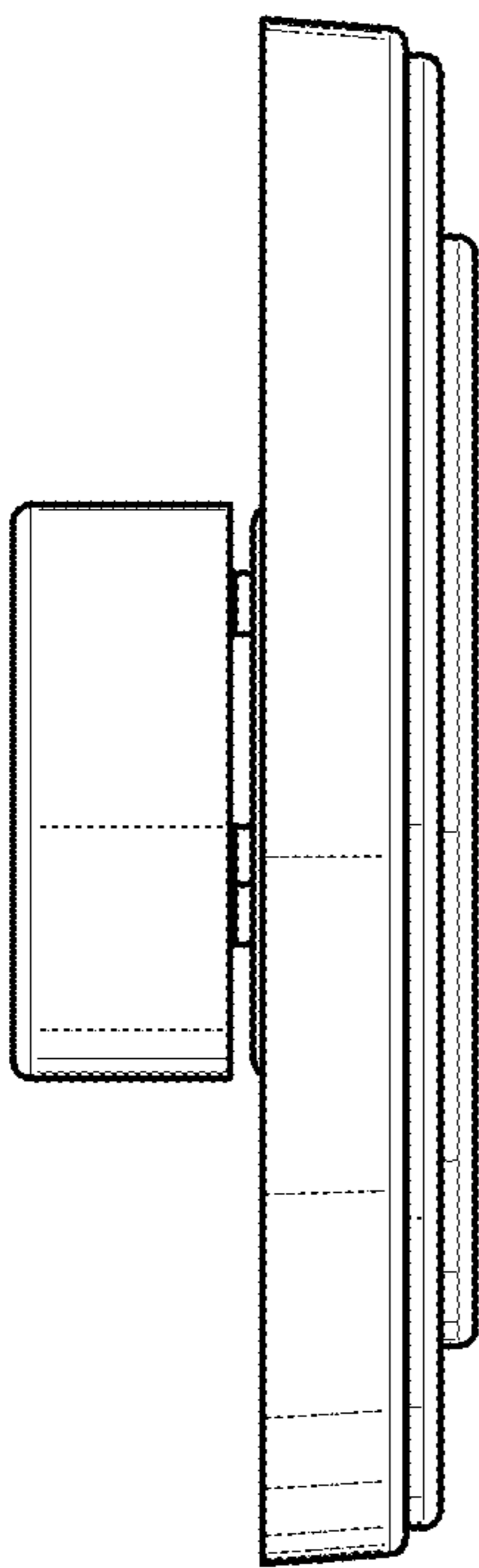


FIG. 4

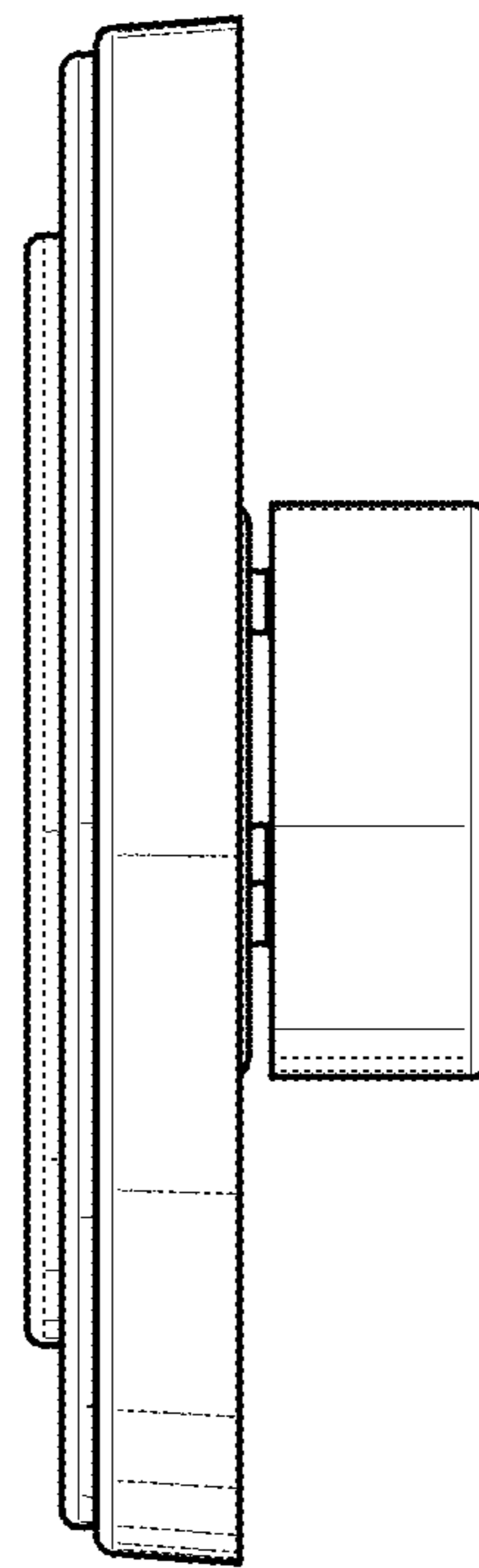


FIG. 5

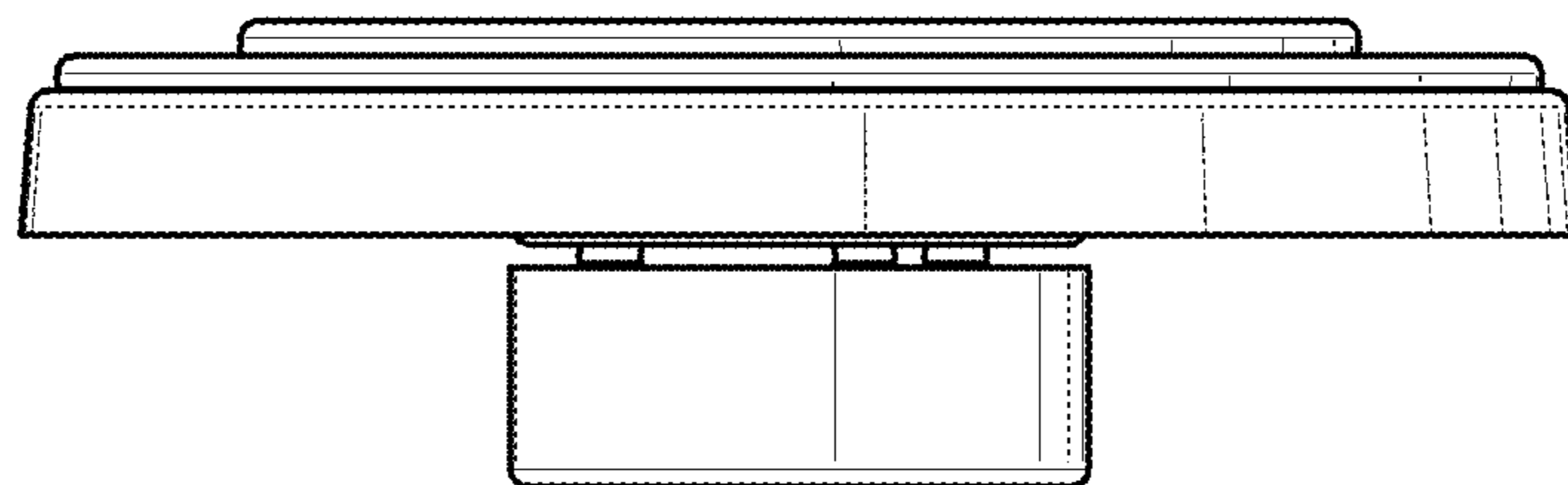


FIG. 7

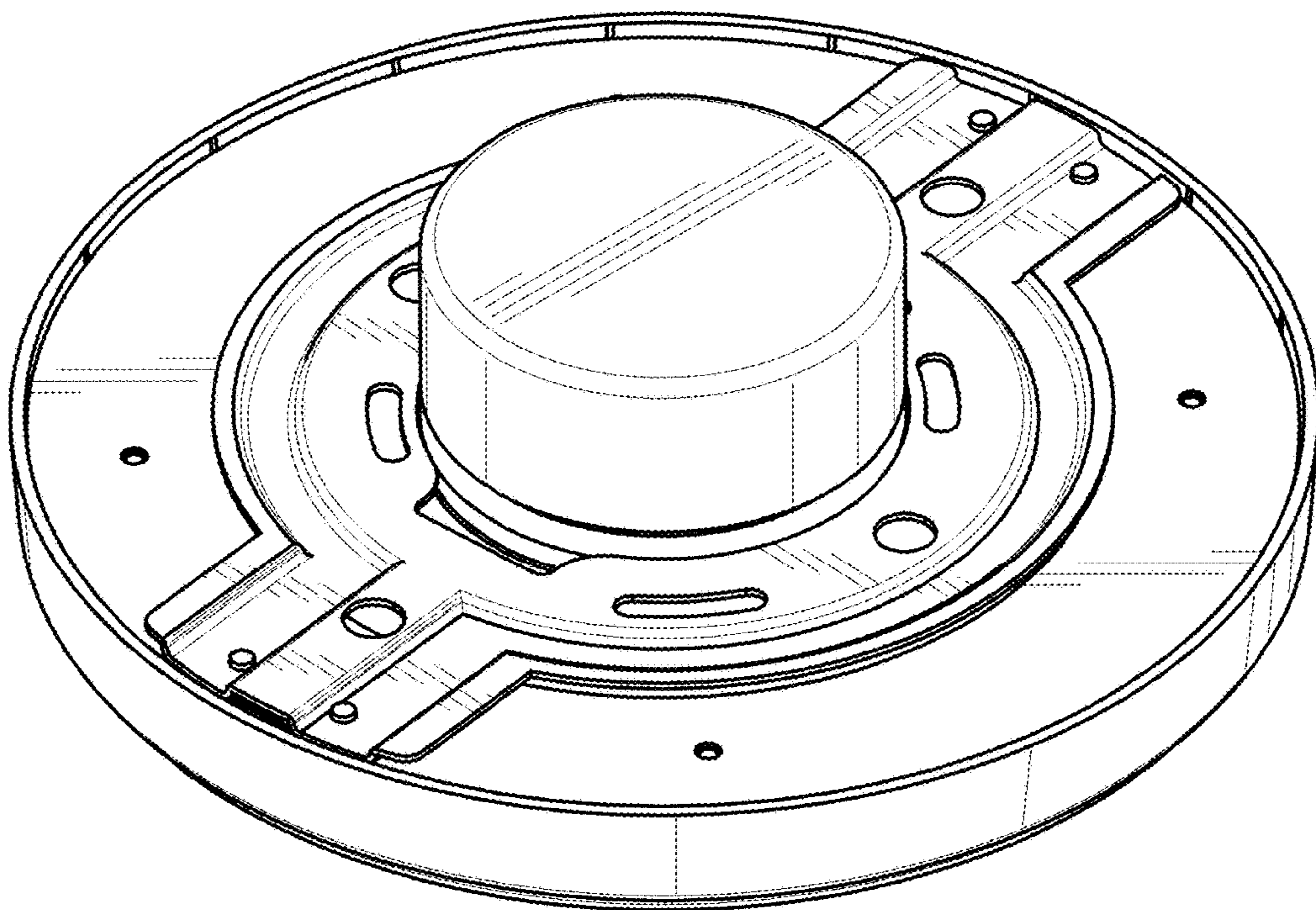


FIG. 8