



US00D824571S

(12) **United States Design Patent**
Sonneman

(10) **Patent No.:** **US D824,571 S**

(45) **Date of Patent:** **** Jul. 31, 2018**

(54) **LIGHT FIXTURE**

(71) Applicant: **Robert A. Sonneman**, Mamaroneck,
NY (US)

(72) Inventor: **Robert A. Sonneman**, Mamaroneck,
NY (US)

(**) Term: **15 Years**

(21) Appl. No.: **29/629,038**

(22) Filed: **Dec. 11, 2017**

(51) **LOC (11) Cl.** **26-03**

(52) **U.S. Cl.**
USPC **D26/87; D26/107**

(58) **Field of Classification Search**
USPC D26/71, 72, 80, 82, 83, 85, 86, 87, 92,
D26/107

CPC .. F21S 8/033; F21S 8/035; F21S 8/036; F21S
8/037

See application file for complete search history.

(56) **References Cited**

U.S. PATENT DOCUMENTS

D145,696 S *	10/1946	McCann	D26/82
4,453,204 A *	6/1984	Warshawsky	F21S 6/002 248/296.1
D299,762 S *	2/1989	King	D26/87
D308,261 S *	5/1990	Shemitz	D26/87
D328,360 S *	7/1992	Fuller	D26/66
5,567,043 A *	10/1996	Swanson	F21S 2/00 362/249.01
D469,206 S *	1/2003	Birsel	D26/92

D573,751 S *	7/2008	Citterio	D26/71
D582,090 S *	12/2008	Osgerby	D26/87
D589,643 S *	3/2009	Citterio	D26/107
D595,009 S *	6/2009	Osgerby	D26/107
D600,849 S *	9/2009	Osgerby	D26/107
D612,526 S *	3/2010	Lundin	D26/71
D673,713 S *	1/2013	Sage	D26/87
D743,608 S *	11/2015	Verelst	D26/68
D771,859 S *	11/2016	Bracher	D26/107
D781,490 S *	3/2017	Waldmann	D26/107
D818,177 S *	5/2018	Amato	D26/87

* cited by examiner

Primary Examiner — Clare E Heflin

(74) *Attorney, Agent, or Firm* — Gottlieb, Rackman &
Reisman, P.C.

(57) **CLAIM**

The ornamental design for a light fixture, as shown and
described.

DESCRIPTION

FIG. 1 is a perspective view of the light fixture showing my
new design;

FIG. 2 is a front elevational view thereof;

FIG. 3 is a rear elevational view thereof;

FIG. 4 is a right side elevational view thereof;

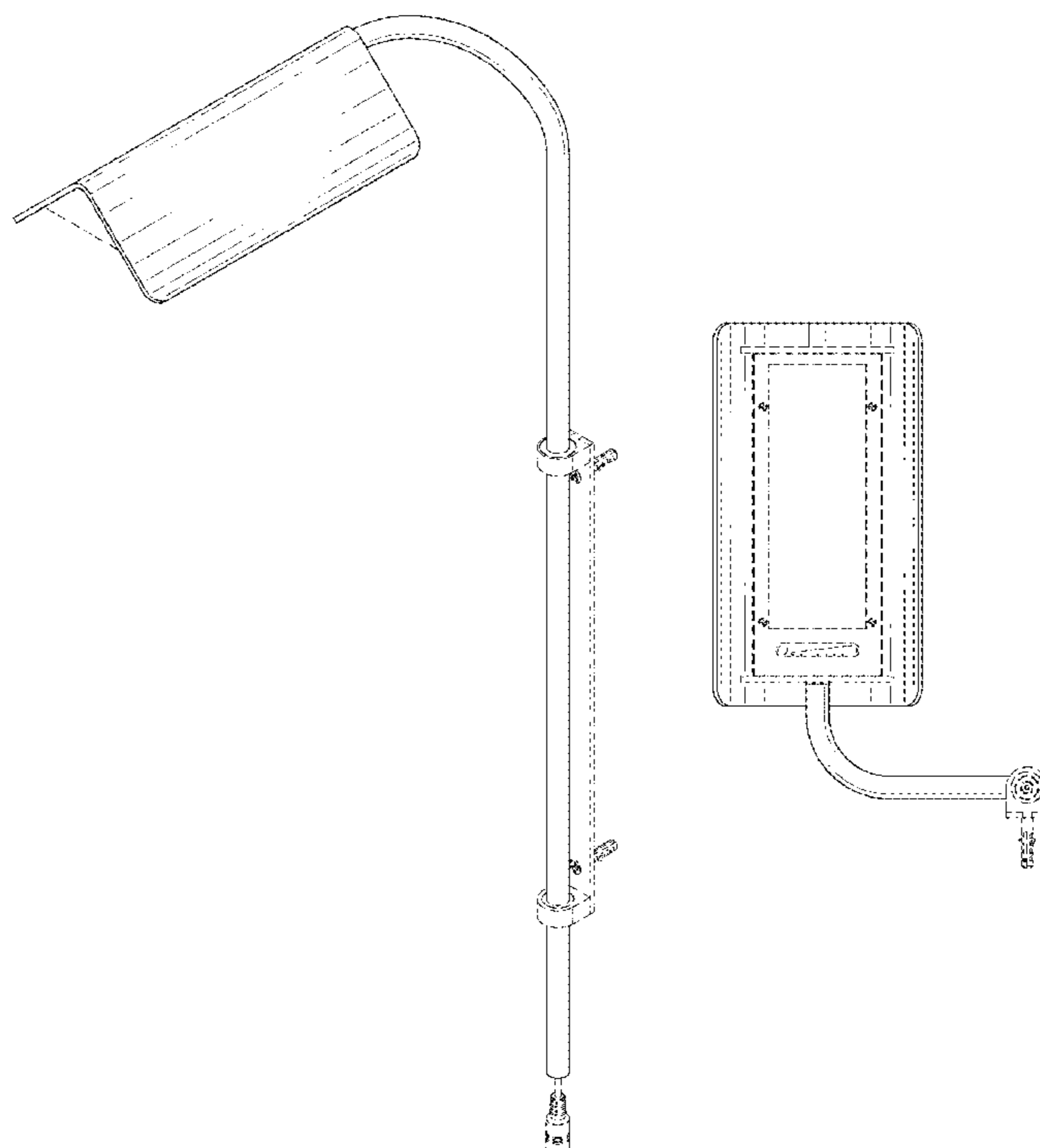
FIG. 5 is a left side elevational view thereof;

FIG. 6 is a top plan view thereof; and,

FIG. 7 is a bottom plan view thereof.

The broken lines shown in the drawings are included for the
purpose of illustrating portions of the light fixture that form
no part of the claimed design.

1 Claim, 7 Drawing Sheets



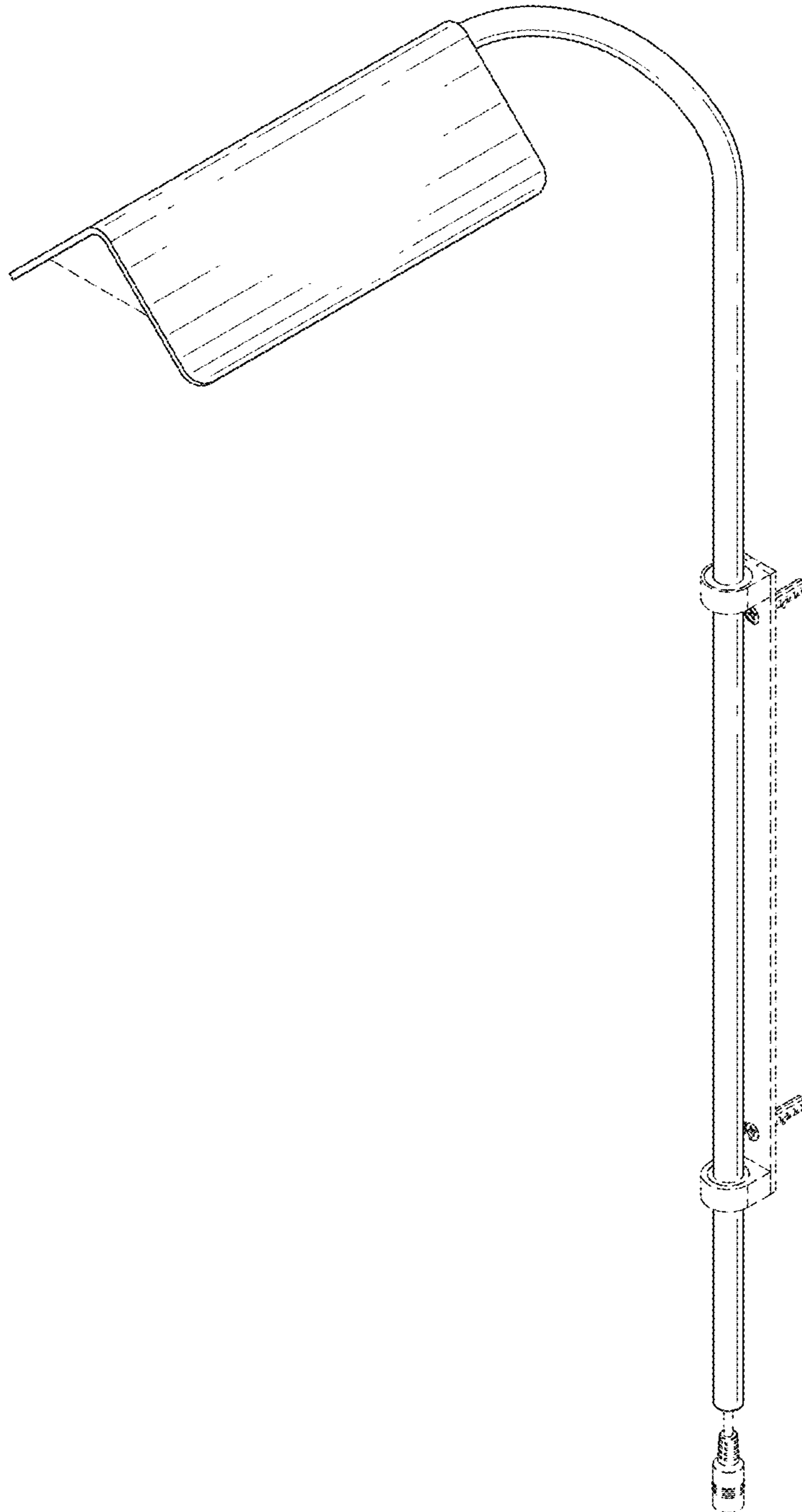


FIG. 1



FIG.2

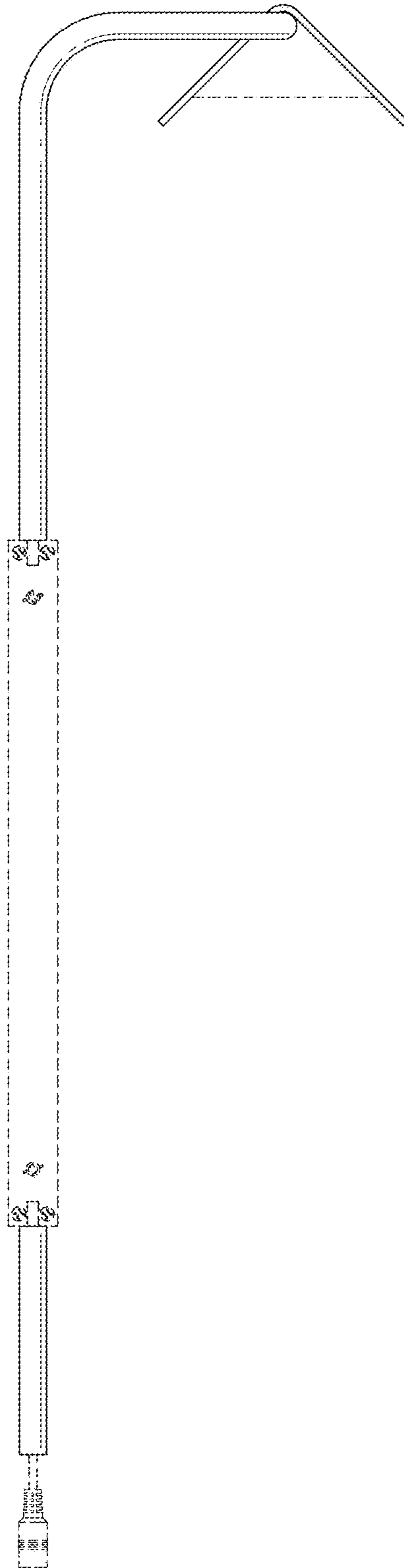


FIG. 3

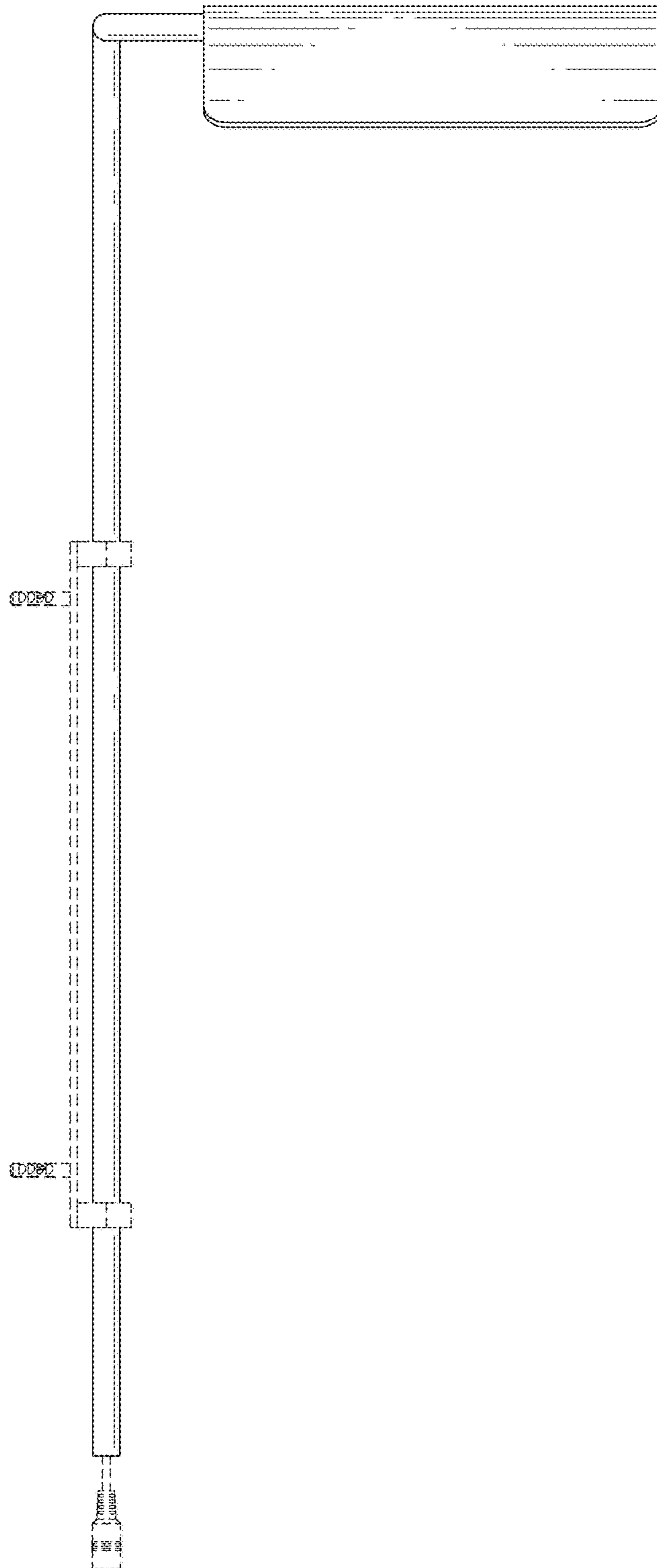


FIG. 4

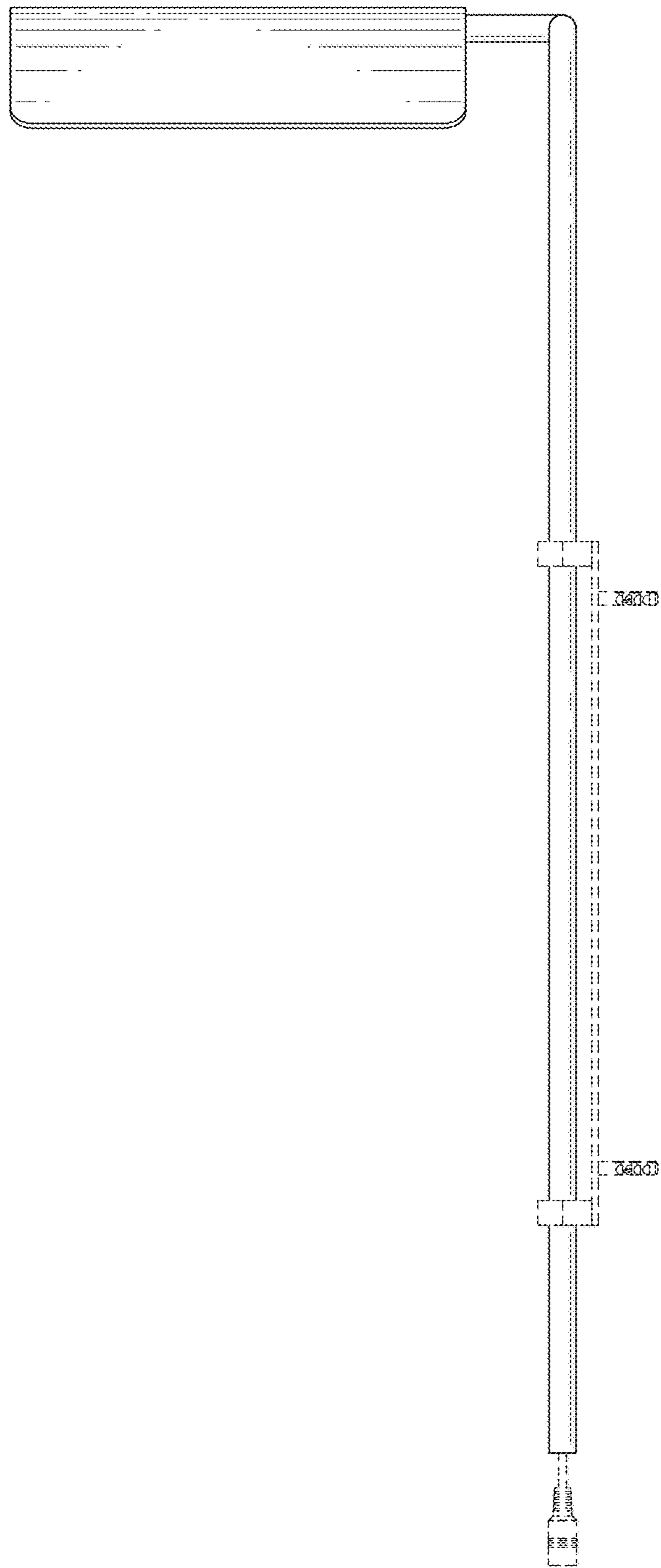


FIG. 5

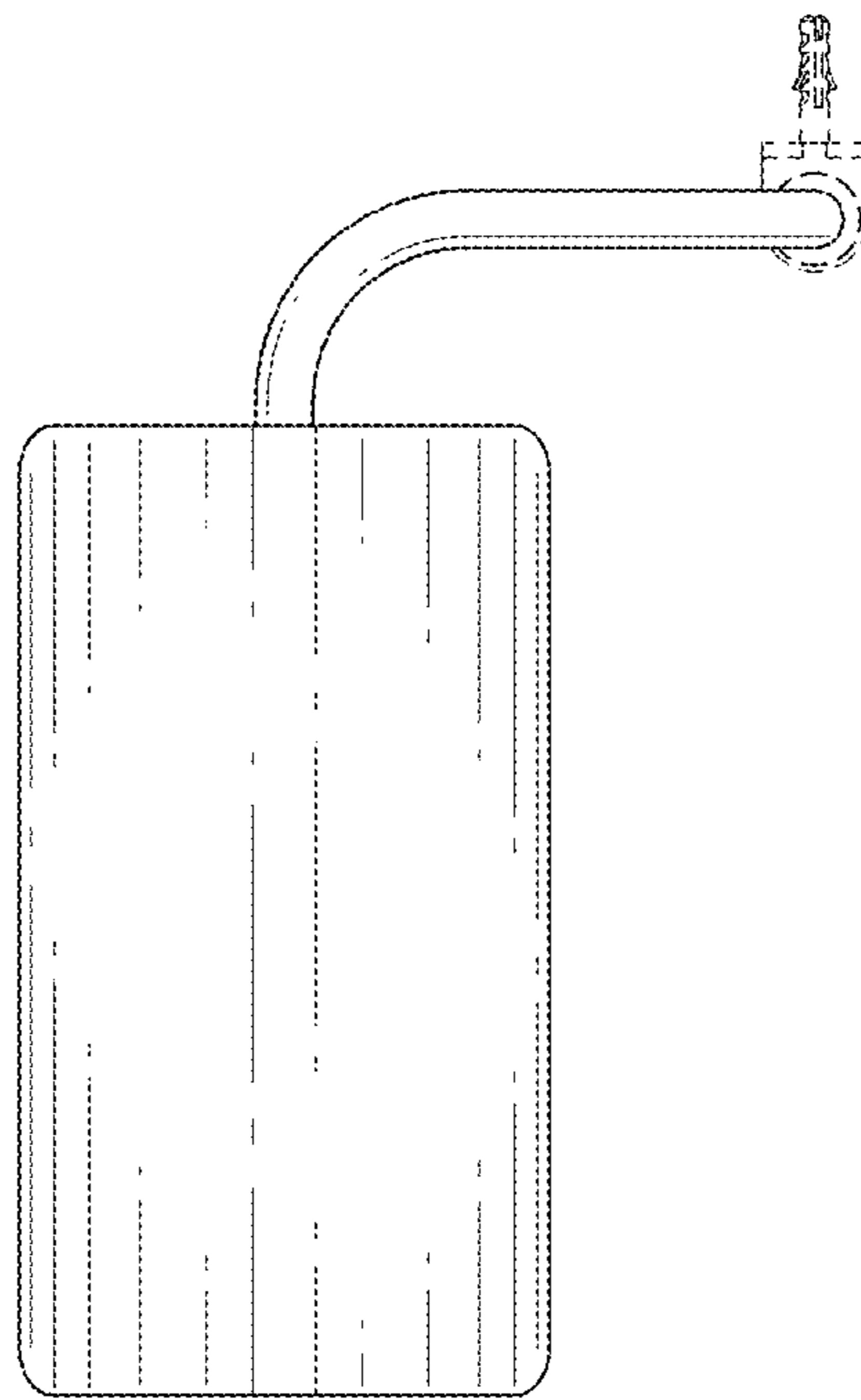


FIG. 6

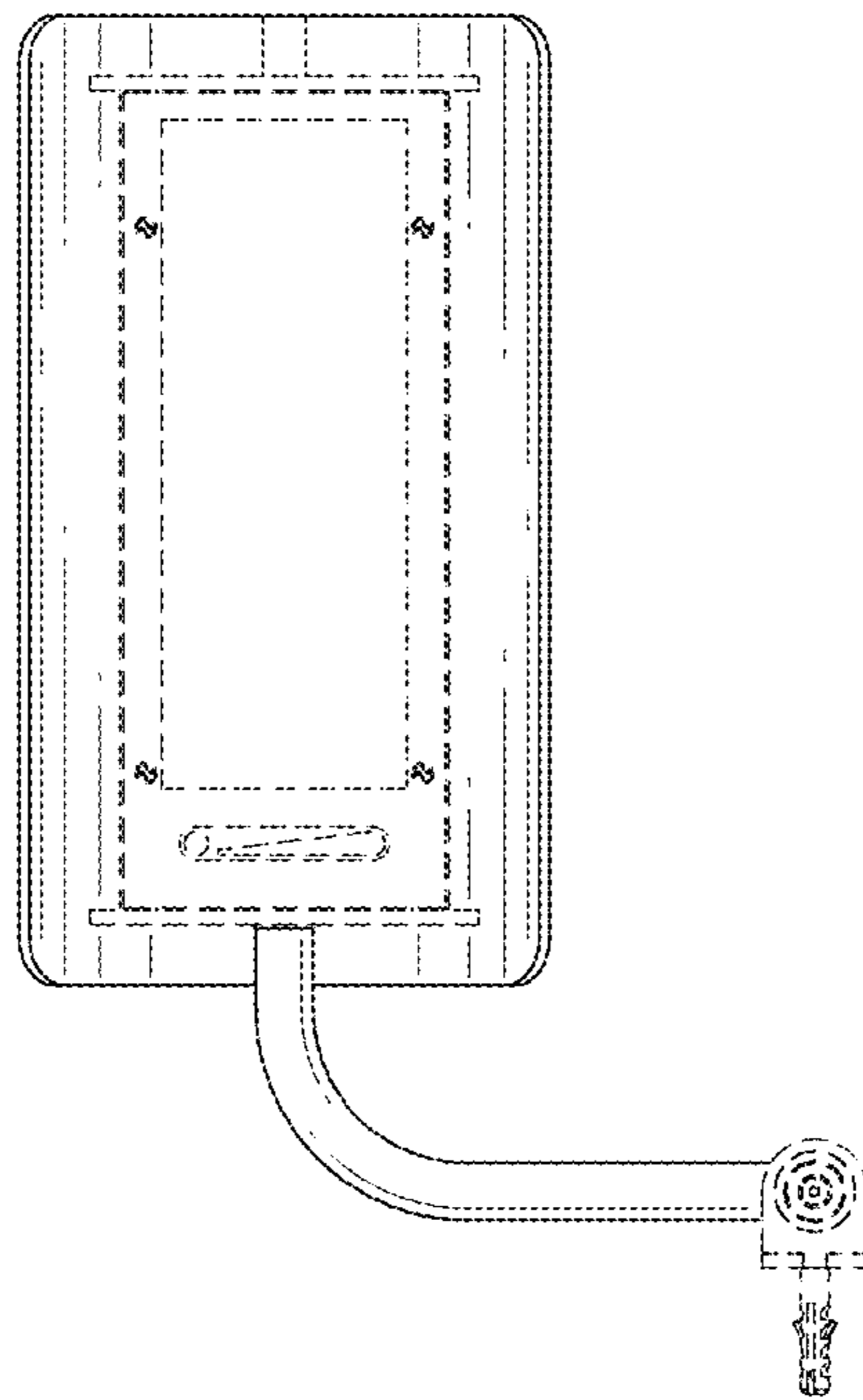


FIG. 7