



US00D824570S

(12) **United States Design Patent**
Bobel

(10) **Patent No.:** **US D824,570 S**

(45) **Date of Patent:** **** Jul. 31, 2018**

(54) **LIGHT FIXTURE**

(71) Applicant: **Neptun Light, Inc.**, Lake Forest, IL
(US)

(72) Inventor: **Andrzej Bobel**, Lake Forest, IL (US)

(**) Term: **15 Years**

(21) Appl. No.: **29/597,844**

(22) Filed: **Mar. 21, 2017**

(51) **LOC (11) Cl.** **26-04**

(52) **U.S. Cl.**
USPC **D26/76**

(58) **Field of Classification Search**

USPC ... D26/3, 37, 38, 39, 40, 42, 46, 48, 51, 54,
D26/60, 61, 63, 64, 65, 66, 67, 71, 72,
D26/74, 75, 78, 79, 80, 81, 82, 83, 85,
D26/86, 88, 90, 91, 113, 118, 119, 120,
D26/121, 122; D25/119, 126, 133, 135;
D13/134; D10/111-115

CPC F21S 4/28; F21S 8/026; F21S 8/031; F21S
8/036; F21S 8/043; F21V 21/04; F21V
29/74; F21V 29/75; F21V 29/83

See application file for complete search history.

(56) **References Cited**

U.S. PATENT DOCUMENTS

D147,357 S * 8/1947 Watkins D26/78
D147,812 S * 11/1947 Picker D26/78
D155,735 S * 10/1949 Russel D26/78
D162,278 S * 3/1951 Ainsworth D26/78
D600,398 S * 9/2009 Nourishad D26/120

D675,365 S * 1/2013 Beghelli D26/78
D699,884 S * 2/2014 Savani D26/76
D712,081 S * 8/2014 Murata D26/72
D765,278 S * 8/2016 Wu D26/24
D773,712 S * 12/2016 Cavaliere D26/75
D797,344 S * 9/2017 Yorio D26/78
D807,567 S * 1/2018 Tweel D26/118
2013/0094230 A1 * 4/2013 Verfueth F21V 21/112
362/396

* cited by examiner

Primary Examiner — John Windmuller

Assistant Examiner — Benjamin M Weeks

(74) *Attorney, Agent, or Firm* — Kundu PLLC

(57) **CLAIM**

The ornamental design for a light fixture, as shown and described.

DESCRIPTION

FIG. 1 is a front side view of the light fixture showing the claimed design;

FIG. 2 is a rear side view thereof;

FIG. 3 is a left side view thereof;

FIG. 4 is a top side view thereof;

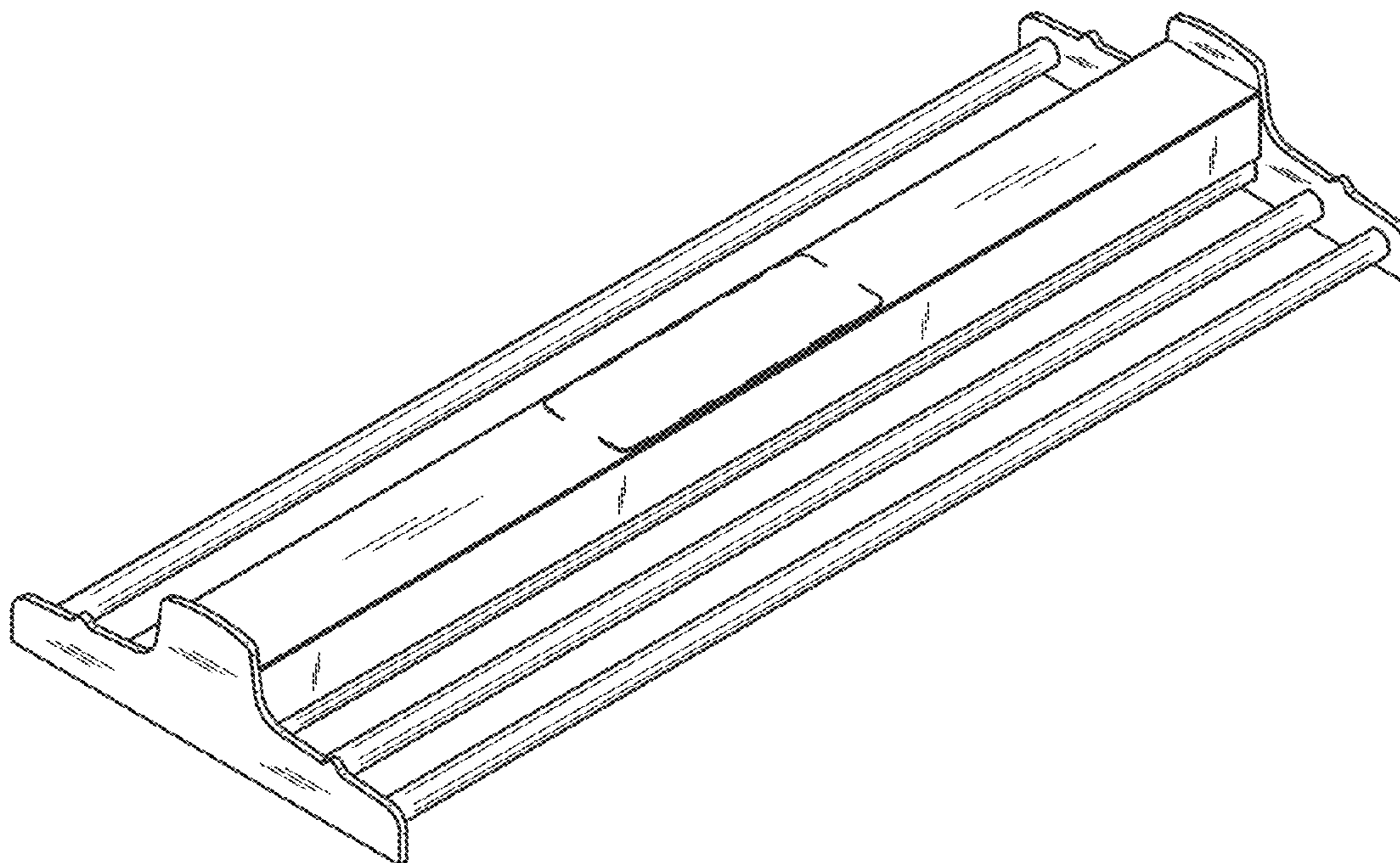
FIG. 5 is a bottom side view thereof;

FIG. 6 is a top perspective view thereof; and,

FIG. 7 is a bottom perspective view thereof.

The broken lines in the figures represent a portion of the light fixture that forms no part of the claimed design.

1 Claim, 7 Drawing Sheets



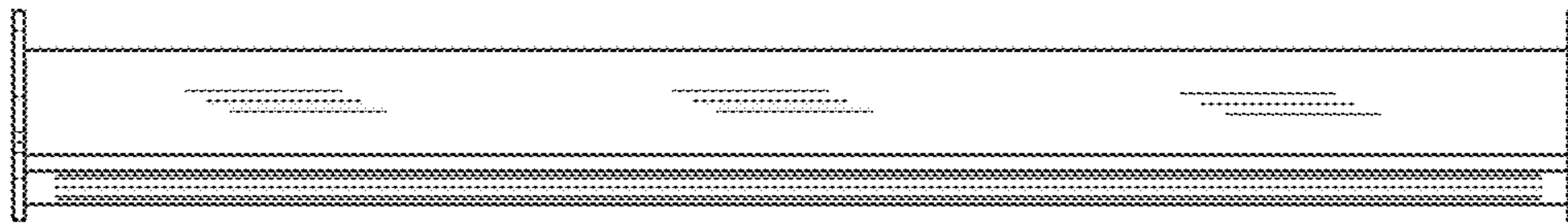


Fig. 1

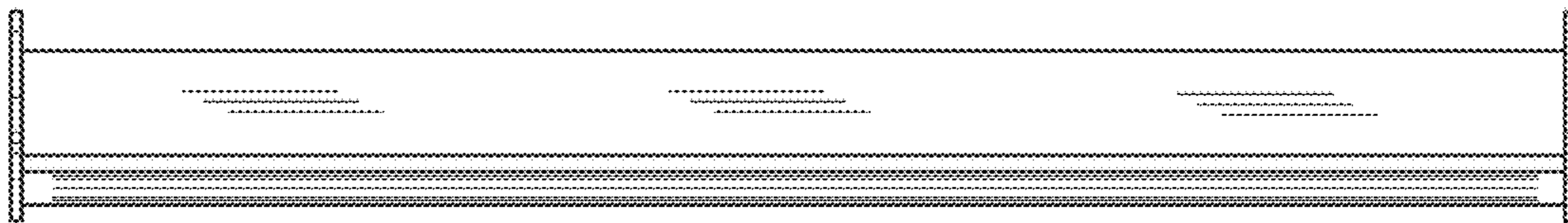


Fig. 2

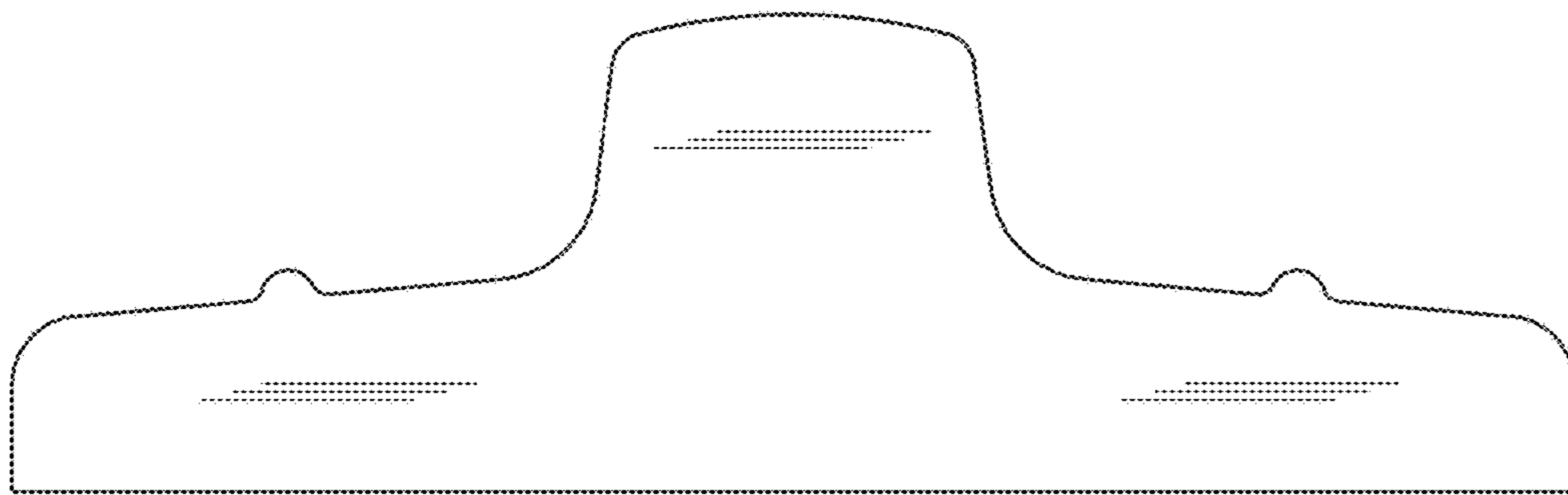


Fig. 3

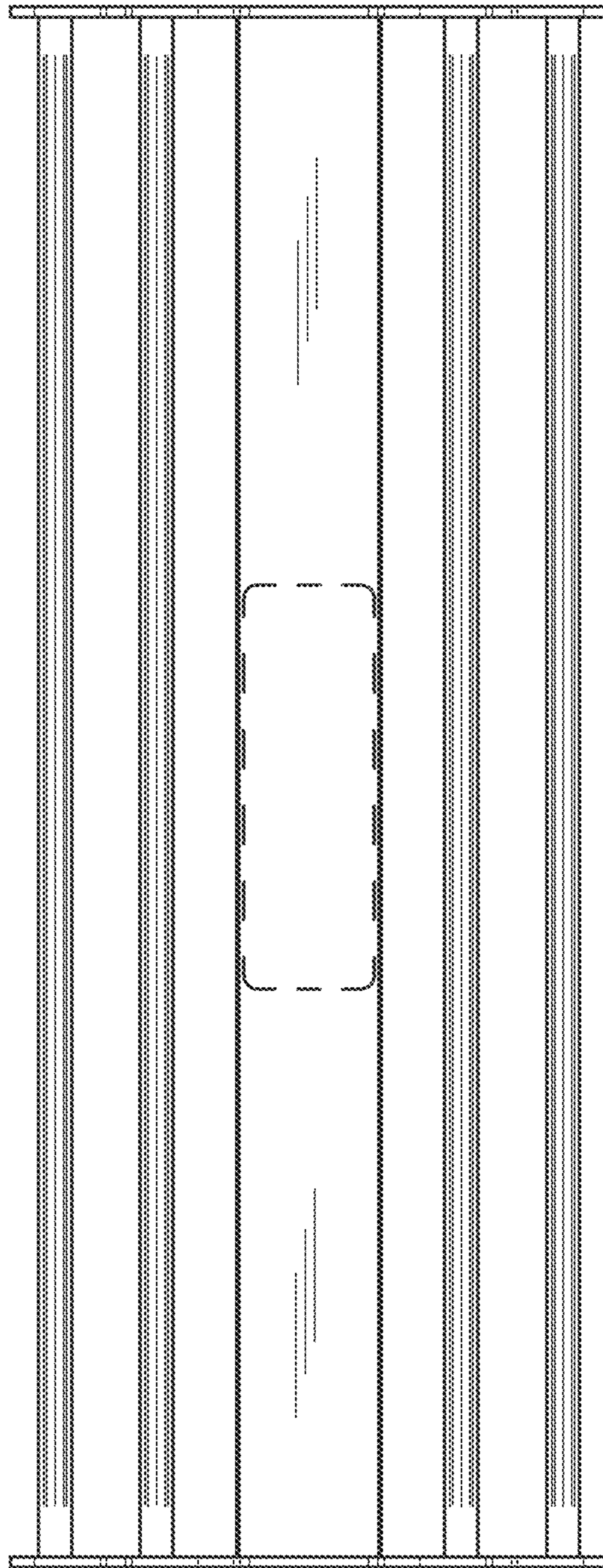


Fig. 4

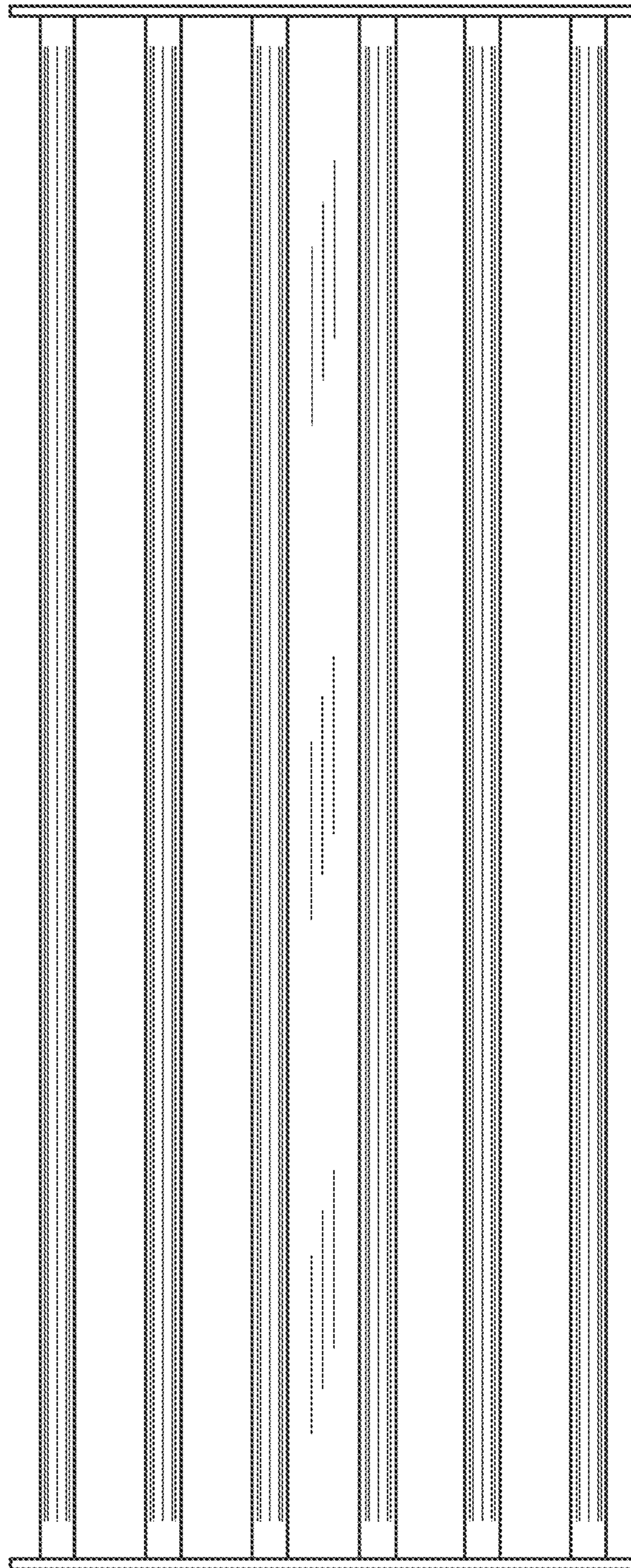


Fig. 5

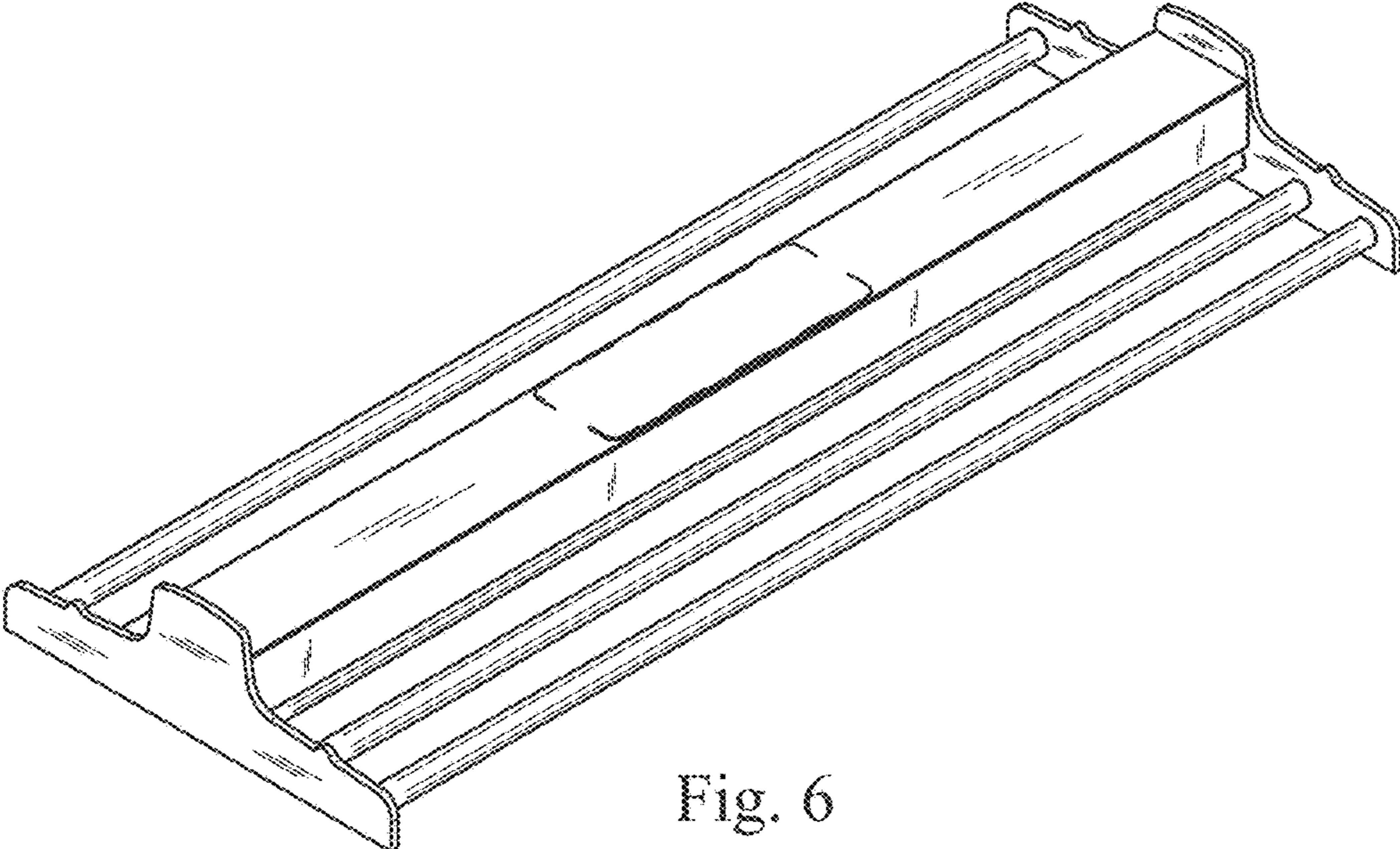


Fig. 6

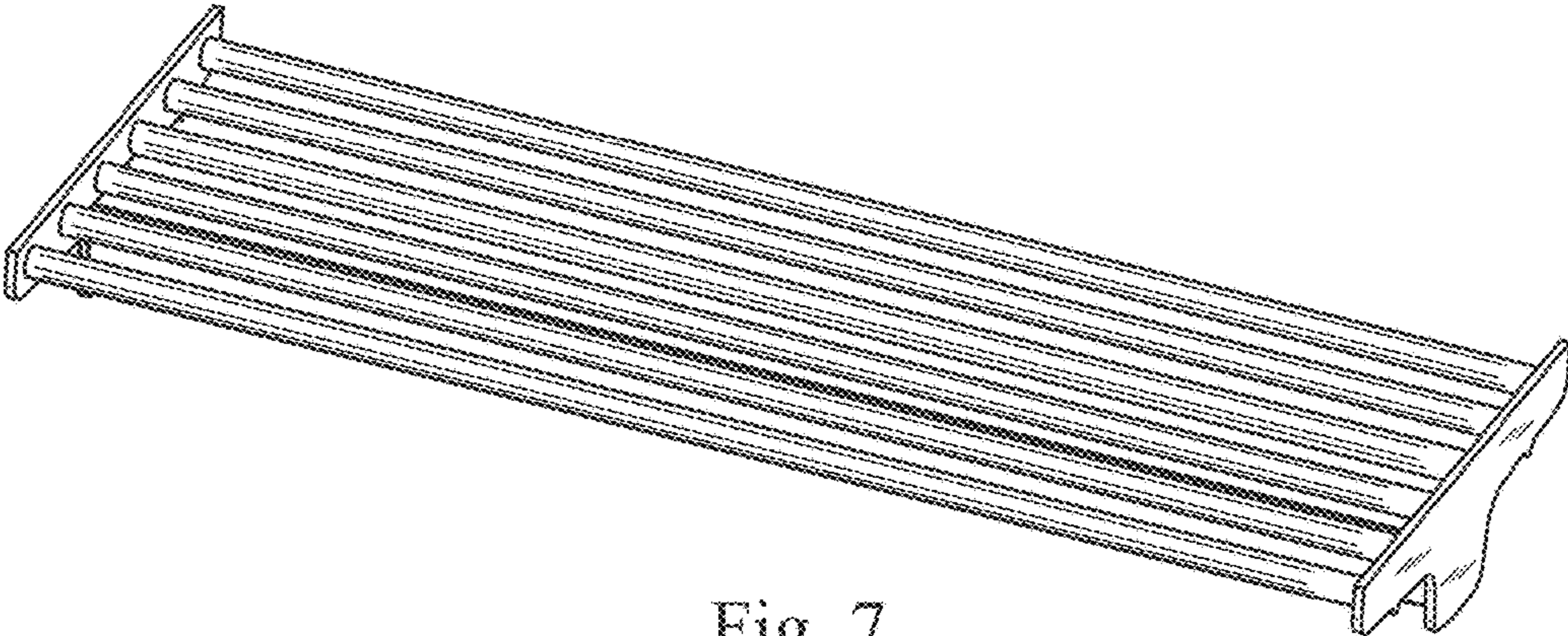


Fig. 7