



US00D824569S

(12) **United States Design Patent** (10) **Patent No.:** **US D824,569 S**
Bobel (45) **Date of Patent:** **** Jul. 31, 2018**

(54) **LIGHT FIXTURE**
(71) Applicant: **Neptun Light, Inc.**, Lake Forest, IL (US)
(72) Inventor: **Andrzej Bobel**, Lake Forest, IL (US)
(**) Term: **15 Years**
(21) Appl. No.: **29/596,446**
(22) Filed: **Mar. 8, 2017**
(51) **LOC (11) Cl.** **26-04**
(52) **U.S. Cl.**
USPC **D26/76**
(58) **Field of Classification Search**
USPC ... D26/3, 37, 38, 39, 40, 42, 46, 48, 51, 54, D26/60, 61, 63, 64, 65, 66, 67, 71, 72, D26/74, 75, 78, 79, 80, 81, 82, 83, 85, D26/86, 88, 90, 91, 113, 118, 119, 120, D26/121, 122; D25/119, 126, 133, 135; D13/134; D10/111-115
CPC F21S 4/28; F21S 8/026; F21S 8/031; F21S 8/036; F21S 8/043; F21V 21/04; F21V 29/74; F21V 29/75; F21V 29/83
See application file for complete search history.

(56) **References Cited**
U.S. PATENT DOCUMENTS
D147,357 S * 8/1947 Watkins D26/78
D147,812 S * 11/1947 Picker D26/78
D155,735 S * 10/1949 Russel D26/78
D162,278 S * 3/1951 Ainsworth D26/78
D600,398 S * 9/2009 Nourishad D26/120

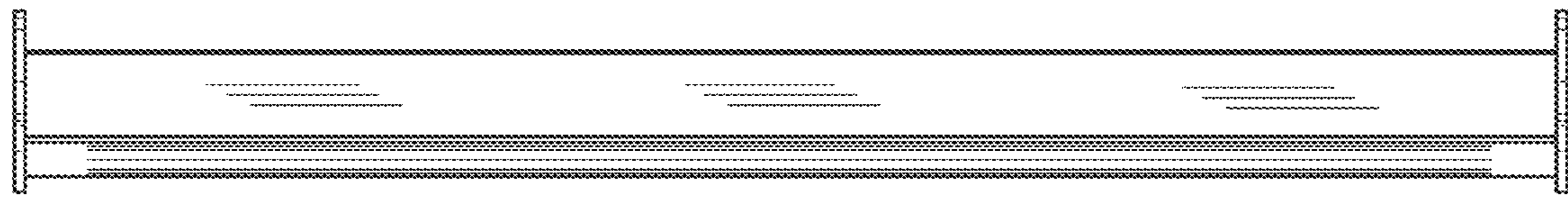
D675,365 S * 1/2013 Beghelli D26/78
D699,884 S * 2/2014 Savani D26/76
D712,081 S * 8/2014 Murata D26/72
D765,278 S * 8/2016 Wu D26/24
D773,712 S * 12/2016 Cavaliere D26/75
D797,344 S * 9/2017 Yorio D26/78
D807,567 S * 1/2018 Tweel D26/118
2013/0094230 A1 * 4/2013 Verfuert F21V 21/112
362/396

* cited by examiner
Primary Examiner — John Windmuller
Assistant Examiner — Benjamin M Weeks
(74) *Attorney, Agent, or Firm* — Kundu PLLC

(57) **CLAIM**
The ornamental design for a light fixture, as shown and described.

DESCRIPTION
FIG. 1 is a front side view of the light fixture showing the claimed design;
FIG. 2 is a rear side view thereof;
FIG. 3 is a left side view thereof;
FIG. 4 is a top side view thereof;
FIG. 5 is a bottom side view thereof;
FIG. 6 is a top perspective view thereof; and,
FIG. 7 is a bottom perspective view thereof.
The broken lines in FIGS. 4 and 6 depict a portion of the light fixture that forms no part of the claimed design.

1 Claim, 7 Drawing Sheets



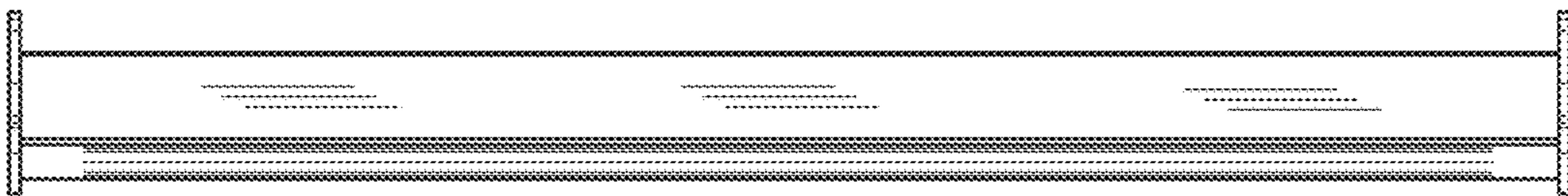


Fig. 1

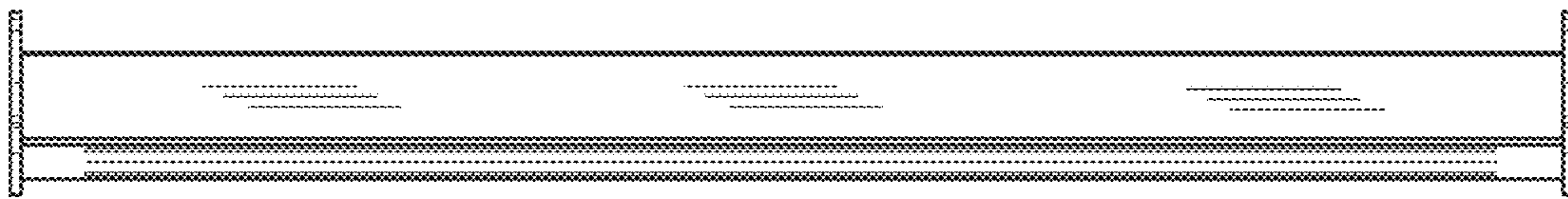


Fig. 2

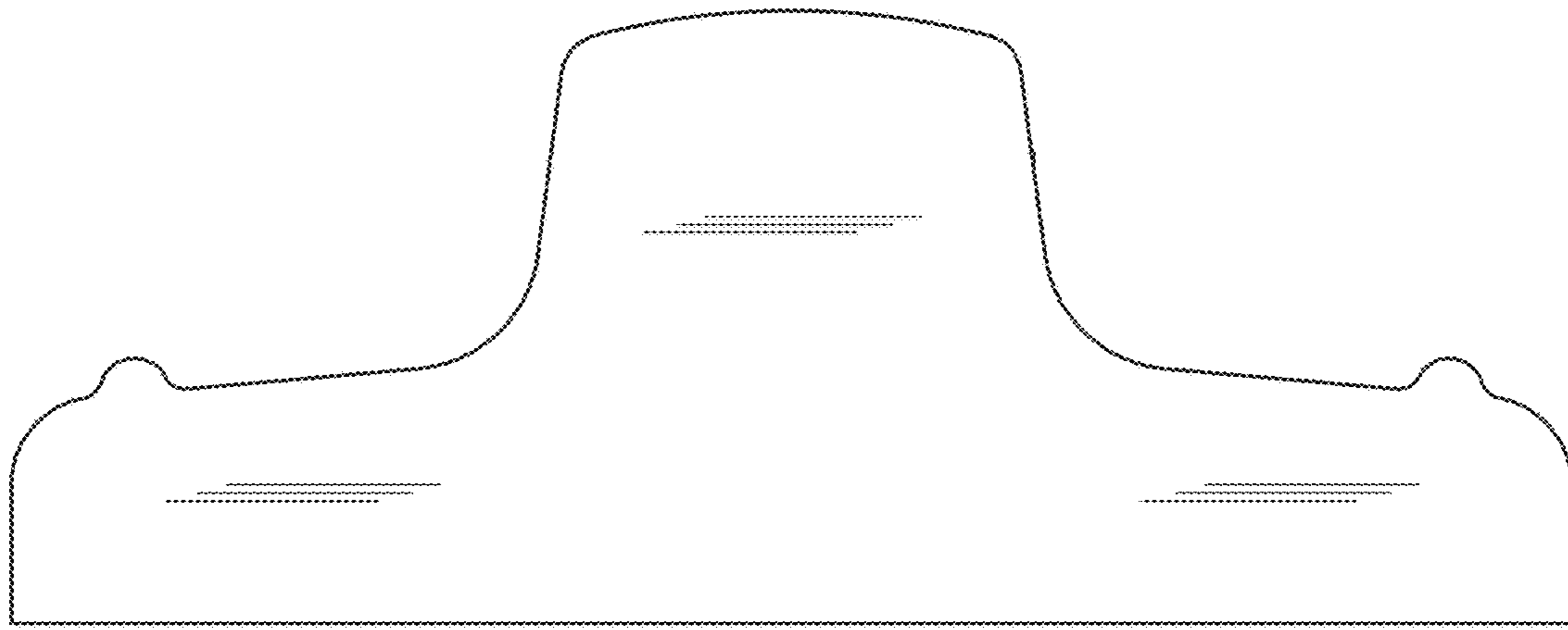


Fig. 3

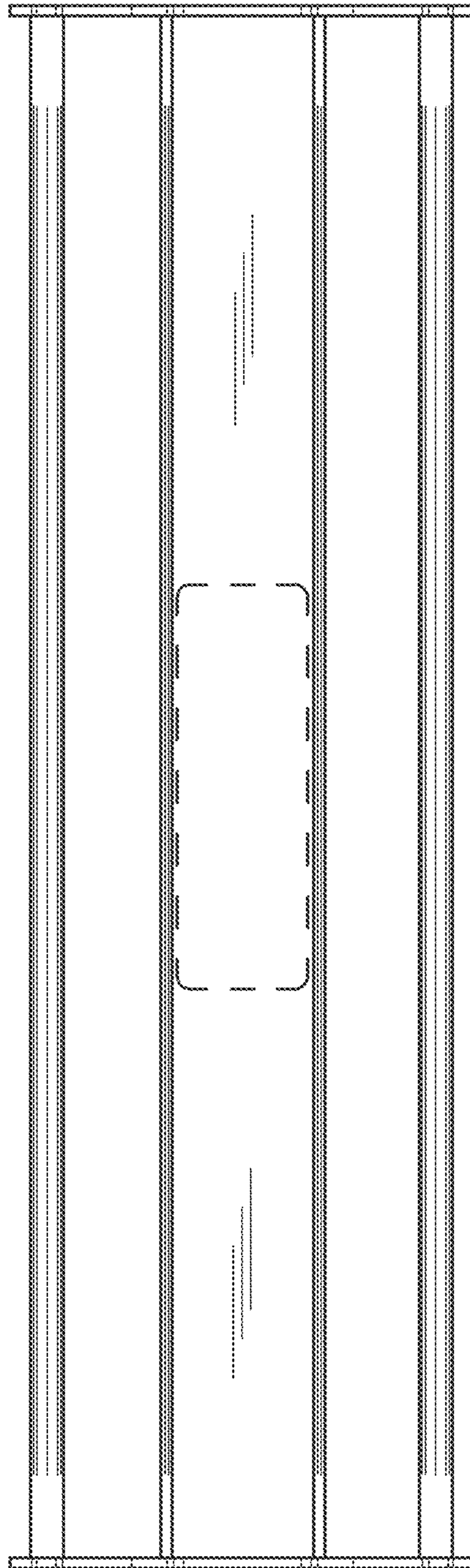


Fig. 4

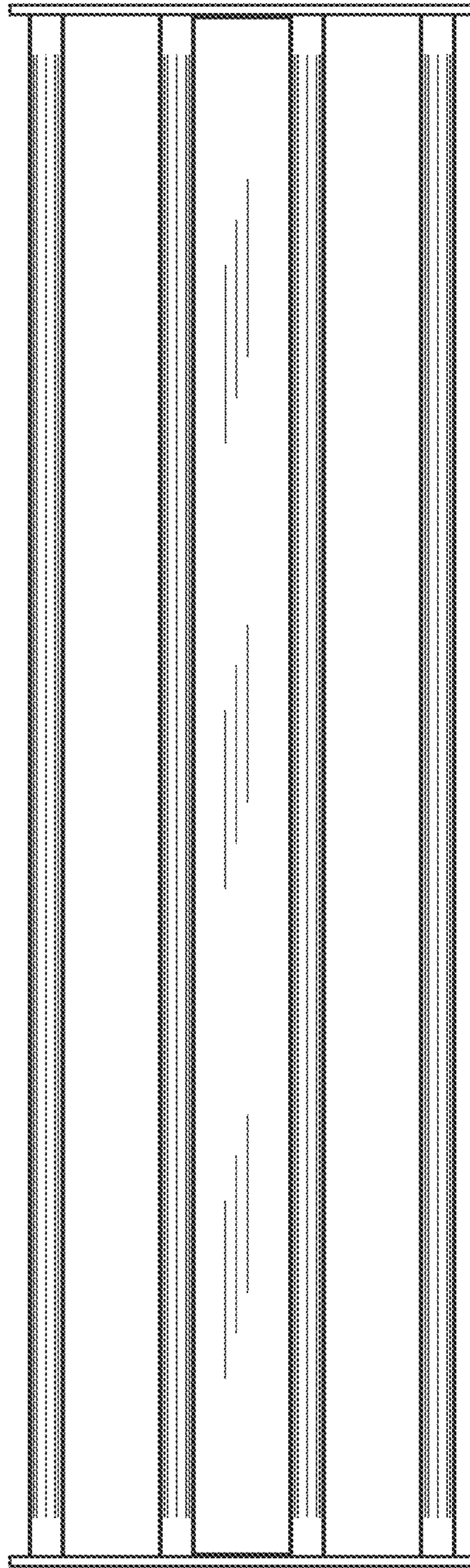


Fig. 5

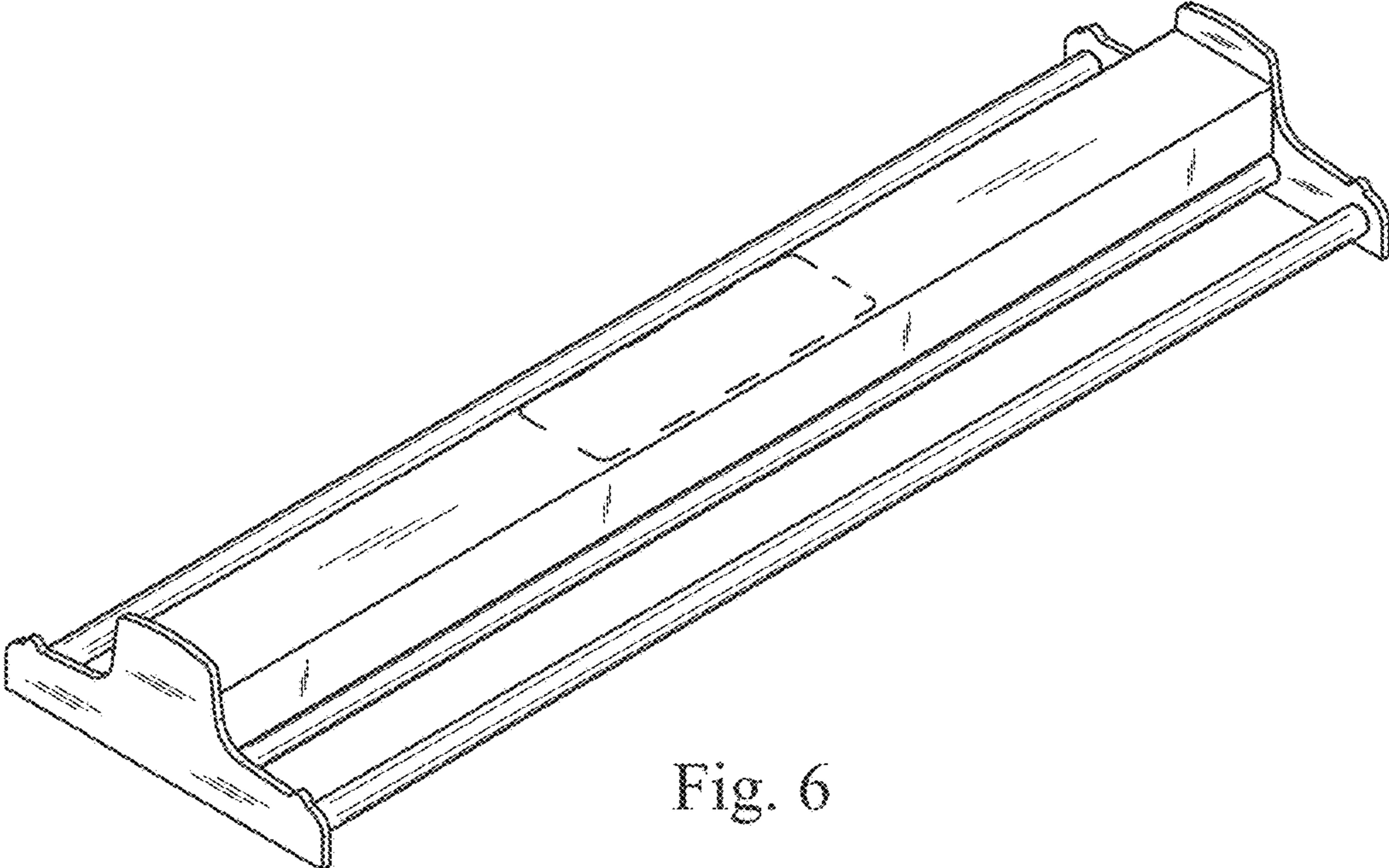


Fig. 6

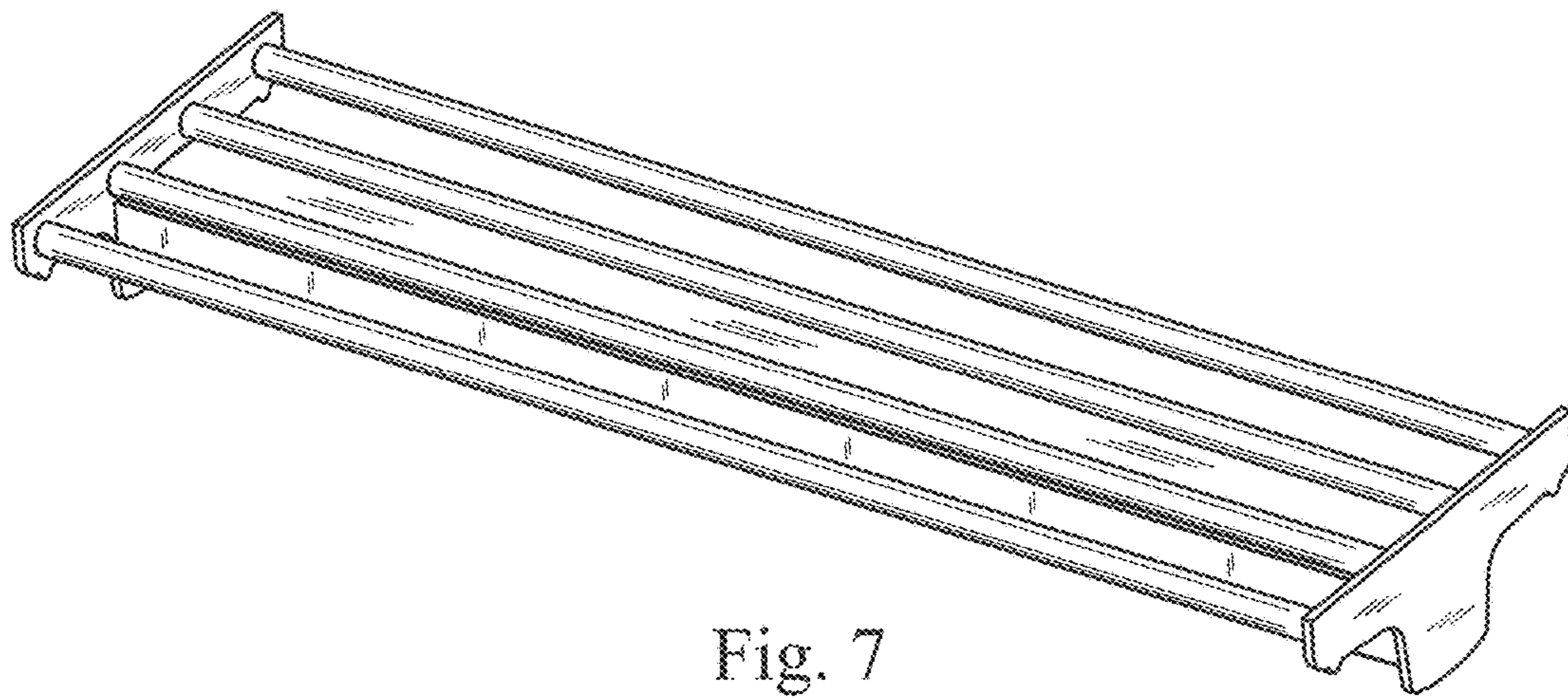


Fig. 7