



US00D824568S

(12) **United States Design Patent** (10) **Patent No.:** **US D824,568 S**  
**Farzan** (45) **Date of Patent:** **\*\* Jul. 31, 2018**

(54) **RECESSED LIGHTING FIXTURE**

FOREIGN PATENT DOCUMENTS

(71) Applicant: **Nora Lighting, Inc.**, Commerce, CA (US)

TW 182474 4/1992  
TW D122918 5/2008  
TW D143837 S1 11/2011

(72) Inventor: **Fred Farzan**, Beverly Hills, CA (US)

(73) Assignee: **Nora Lighting, Inc.**, Commerce, CA (US)

OTHER PUBLICATIONS

(\*\*) Term: **15 Years**

Taiwan Office Action for Patent Appl. No. 105304402 dated Mar. 2, 2017—3 pages.

(21) Appl. No.: **29/553,402**

Taiwan Office Action for Patent Appl. No. 105304402 dated Mar. 2, 2017—3 pages (English Translation).

(22) Filed: **Feb. 1, 2016**

Chinese Office Action for Patent Appl. No. 201630360635.2 dated Nov. 2, 2016—1 page.

(51) **LOC (11) Cl.** ..... **26-05**

\* cited by examiner

(52) **U.S. Cl.**  
USPC ..... **D26/74**

*Primary Examiner* — Angela J Lee

(58) **Field of Classification Search**  
USPC ..... D26/74, 72, 75, 76, 77, 78, 85, 88, 89,  
D26/118, 138, 141; 362/364, 365, 373,  
362/145, 146, 147, 148, 150, 153, 153.1,  
362/294, 296.01, 296.07, 296.08  
See application file for complete search history.

(74) *Attorney, Agent, or Firm* — K&L Gates LLP

(57) **CLAIM**

The ornamental design for a recessed lighting fixture, as shown and described.

(56) **References Cited**

**DESCRIPTION**

U.S. PATENT DOCUMENTS

D383,564 S *	9/1997	Lecluze	.....	D26/118
D544,128 S *	6/2007	Carro	.....	D26/63
D596,330 S *	7/2009	Pickard	.....	D26/74
D622,434 S *	8/2010	Ward	.....	F21S 8/026
				D26/74
D636,922 S *	4/2011	Yoshida	.....	D26/74
D665,117 S *	8/2012	Yoshida	.....	D26/74
D681,861 S *	5/2013	Soni	.....	D26/74
D697,651 S *	1/2014	Carpenter	.....	D26/74
D698,069 S *	1/2014	Messisaen	.....	D26/74
D698,970 S *	2/2014	Guzzini	.....	D26/74
D722,192 S *	2/2015	Boyer et al.	.....	
D785,228 S *	4/2017	Guzzini	.....	D26/74
2012/0182744 A1 *	7/2012	Santiago	.....	F21S 8/026
				362/365

FIG. 1 illustrates a perspective view of a top side of a recessed lighting fixture, according to a first embodiment.

FIG. 2 illustrates a top plan view thereof;

FIG. 3 illustrates a side view thereof;

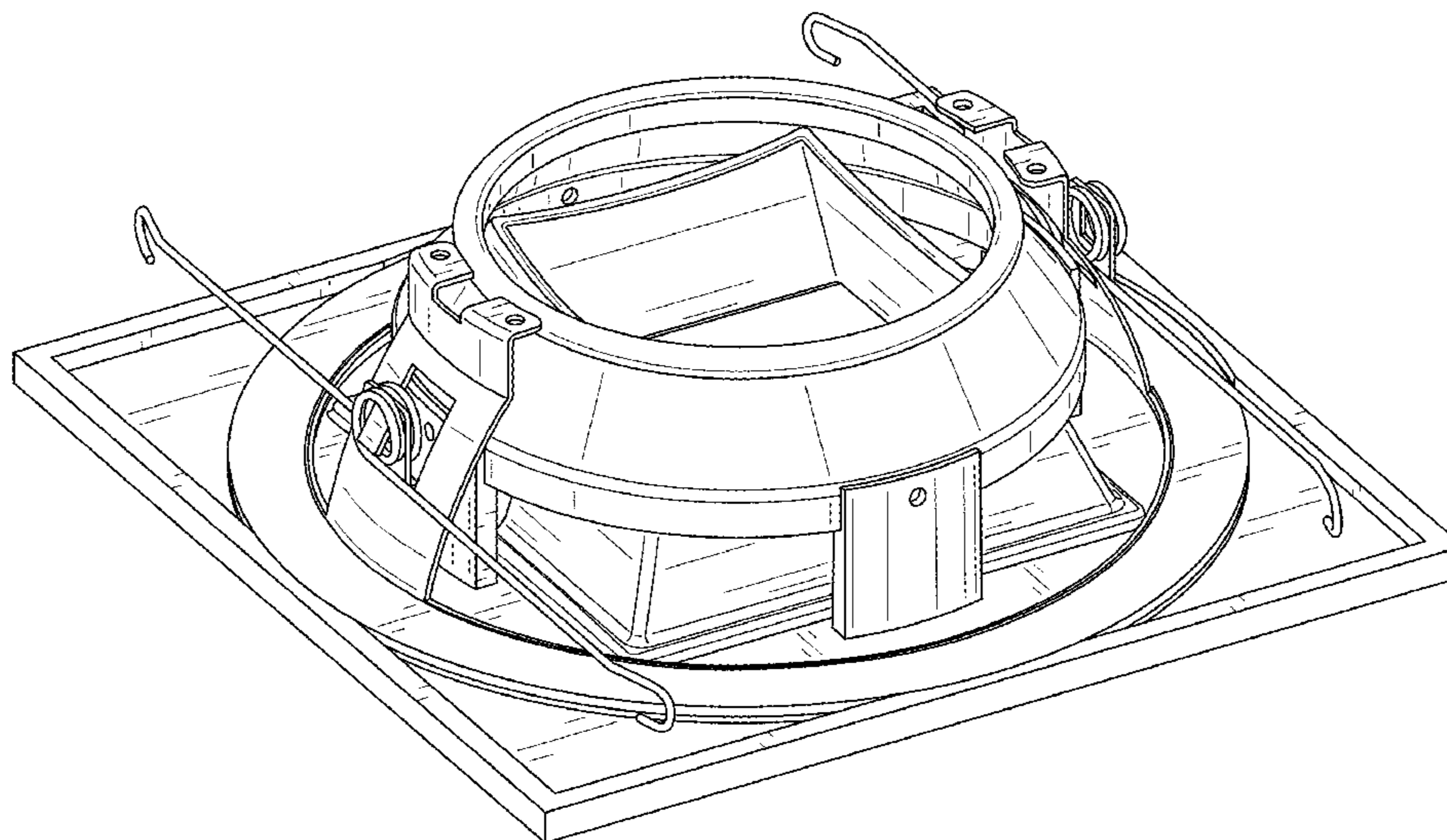
FIG. 4 illustrates a top plan view of a recessed lighting fixture, according to a second embodiment;

FIG. 5 illustrates a perspective view thereof; and,

FIG. 6 illustrates a side view thereof.

Any broken lines in the drawings are for illustrative purposes only and form no part of the claimed design. Additionally, the recessed lighting fixture is not limited to the scale shown herein.

**1 Claim, 6 Drawing Sheets**



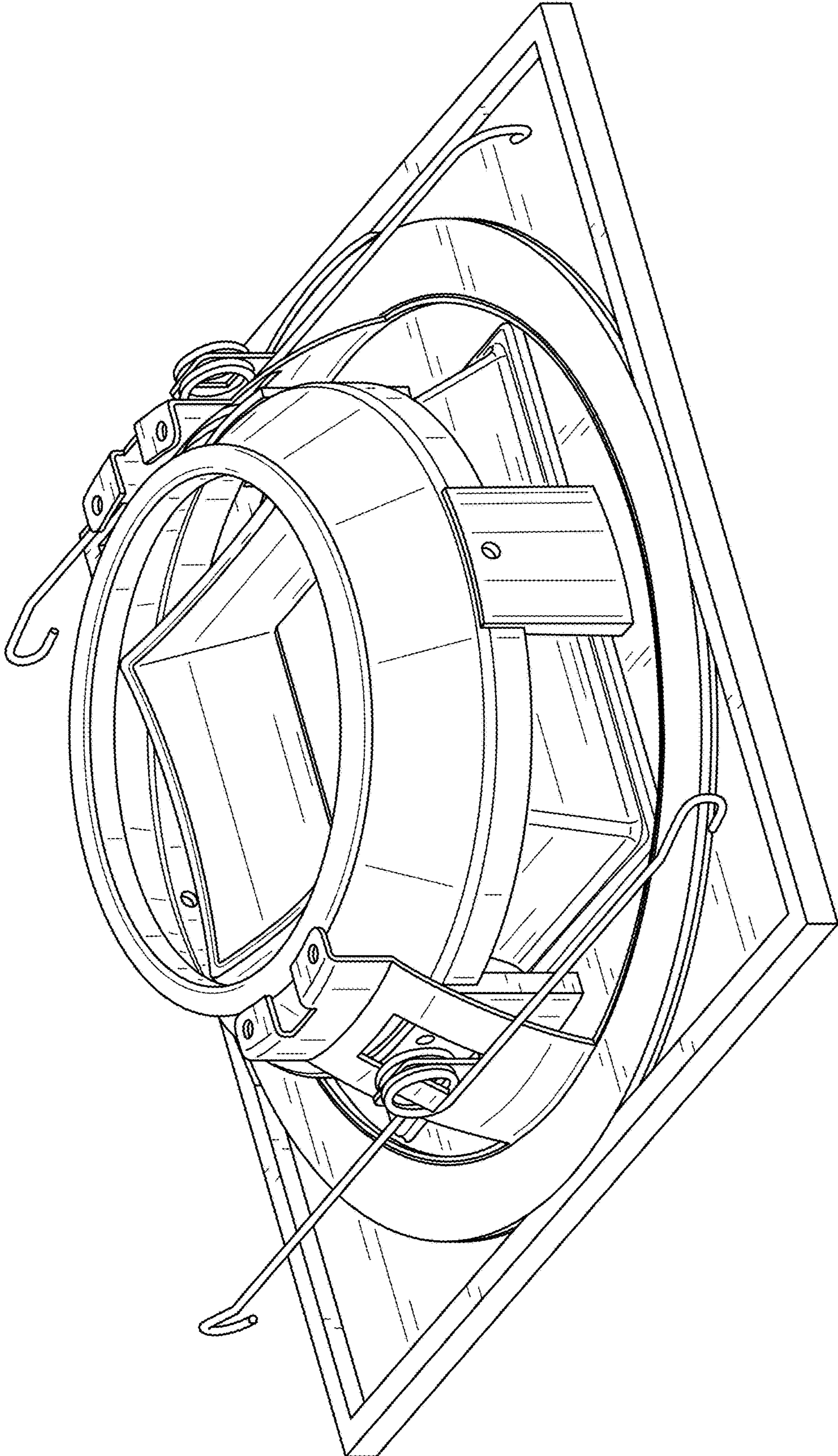


FIG. 1

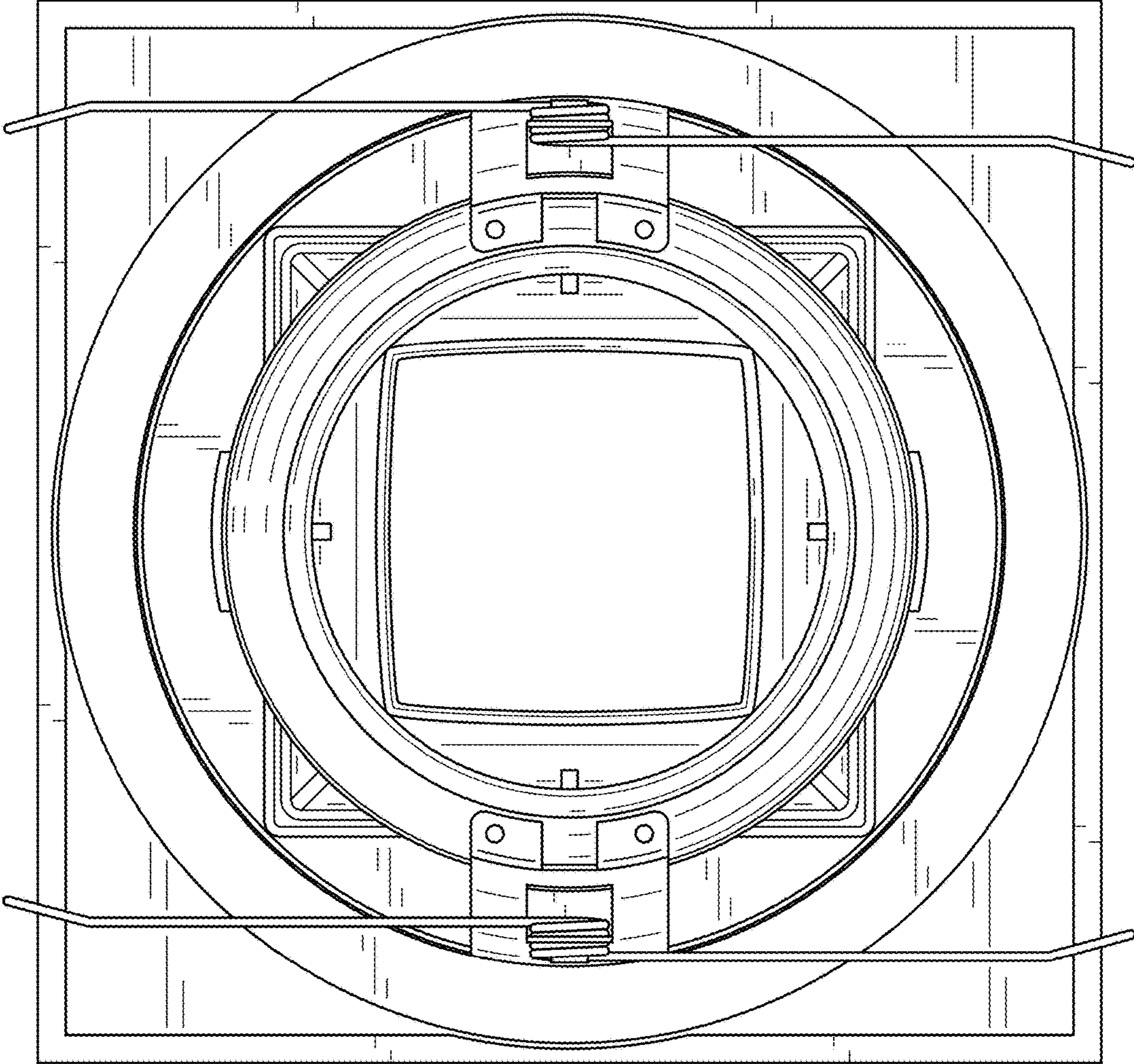


FIG. 2

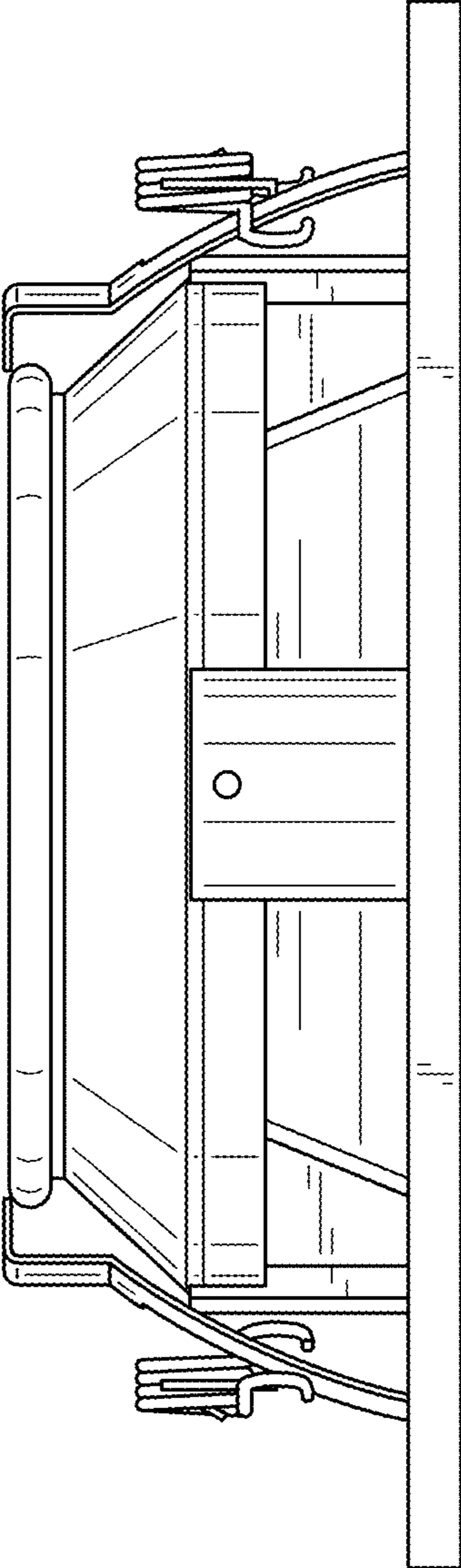


FIG. 3

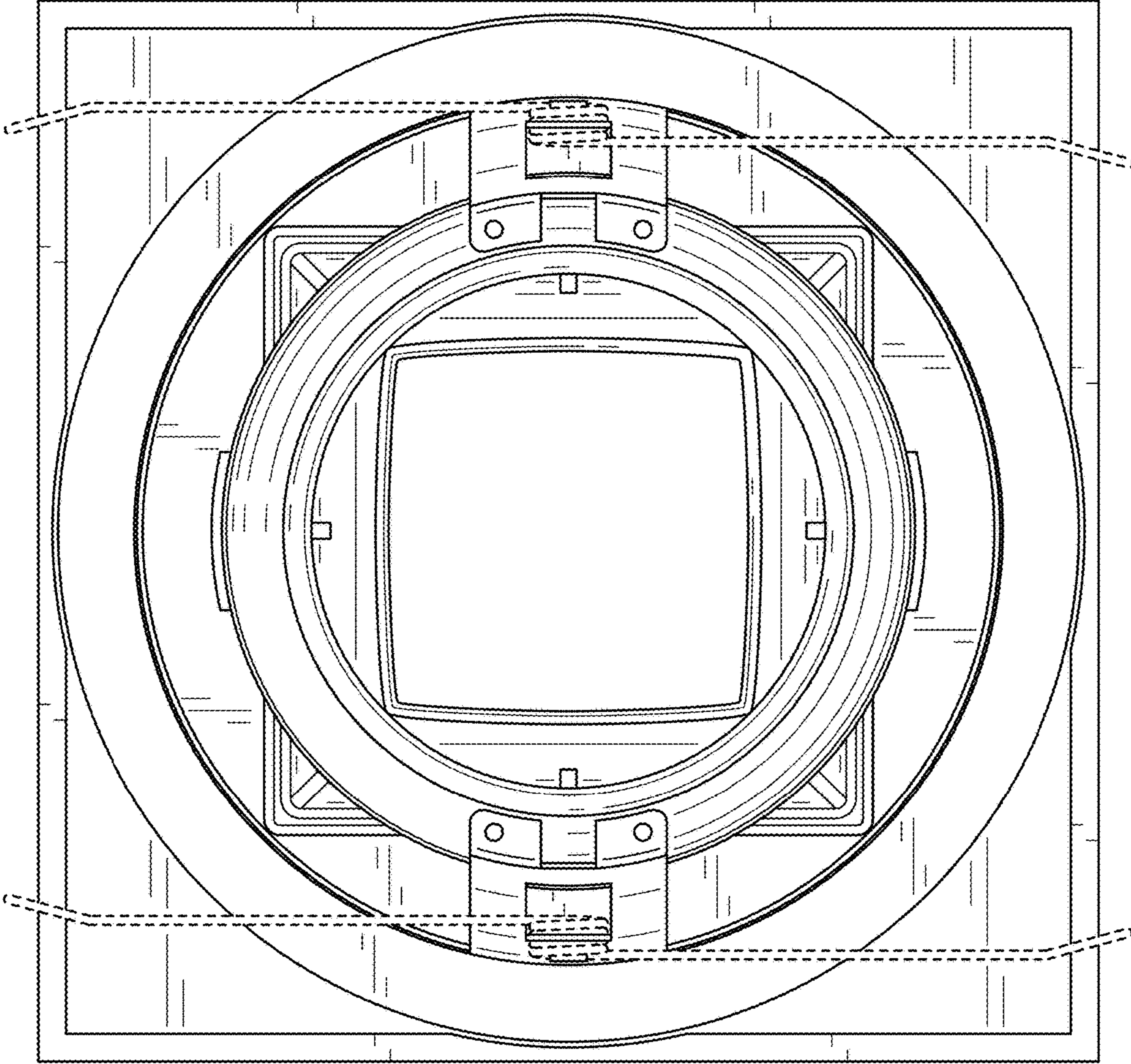


FIG. 4

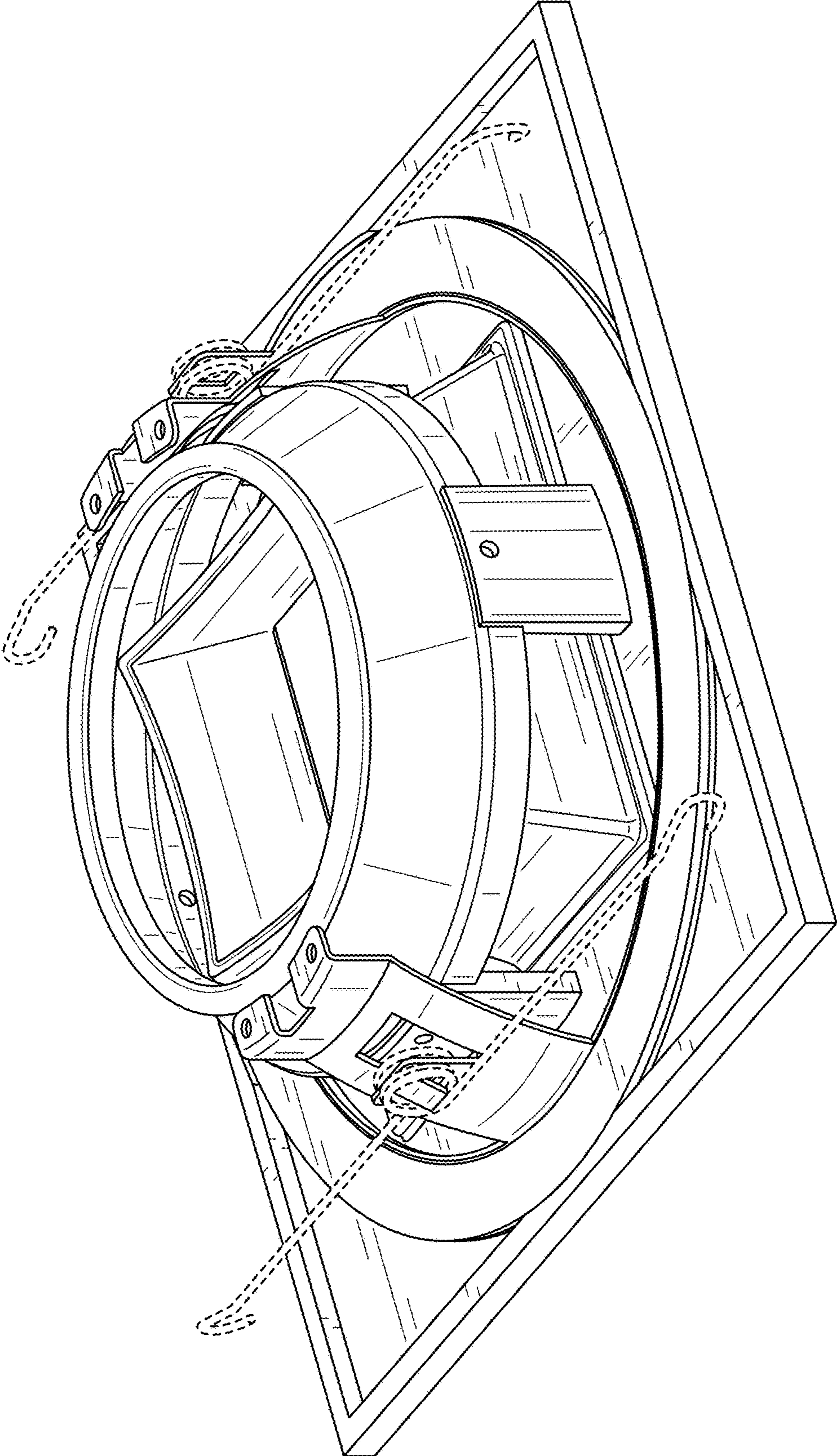


FIG. 5

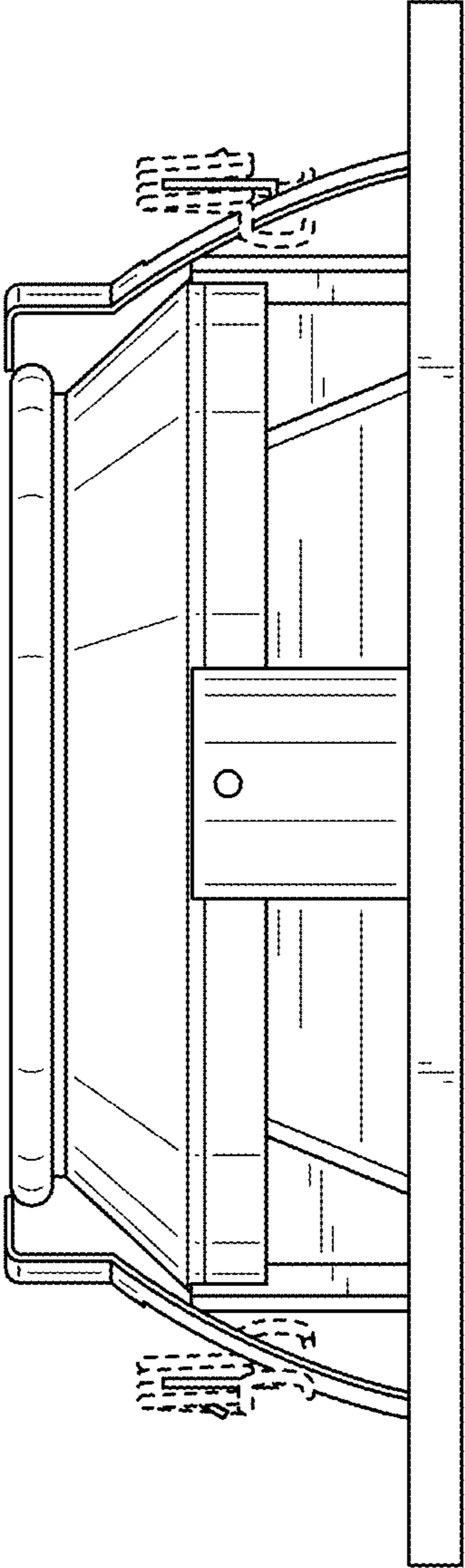


FIG. 6