



US00D824567S

(12) **United States Design Patent** (10) **Patent No.:** **US D824,567 S**
Farzan (45) **Date of Patent:** **** Jul. 31, 2018**

(54) **RECESSED LIGHTING FIXTURE**

FOREIGN PATENT DOCUMENTS

(71) Applicant: **Nora Lighting, Inc.**, Commerce, CA (US)

TW D125812 11/2008
TW D149249 9/2012
TW D163210 9/2014

(72) Inventor: **Fred Farzan**, Beverly Hills, CA (US)

OTHER PUBLICATIONS

(73) Assignee: **Nora Lighting, Inc.**, Commerce, CA (US)

Chinese Office Action for Patent Appl. No. 201630360390.3 dated Nov. 2, 2016—1 page.

(**) Term: **15 Years**

(Continued)

(21) Appl. No.: **29/553,398**

Primary Examiner — Angela J Lee

(22) Filed: **Feb. 1, 2016**

(74) Attorney, Agent, or Firm — K&L Gates LLP

(51) **LOC (11) Cl.** **26-05**

(52) **U.S. Cl.**
USPC **D26/74**

(57) **CLAIM**

(58) **Field of Classification Search**
USPC D26/74, 72, 75, 76, 77, 78, 85, 88, 89,
D26/118, 138, 141; 362/364, 365, 373,
362/145, 146, 147, 148, 150, 153, 153.1,
362/294, 296.01, 296.07, 296.08

The ornamental design for a recessed lighting fixture, as shown and described.

See application file for complete search history.

DESCRIPTION

(56) **References Cited**

U.S. PATENT DOCUMENTS

5,957,574 A * 9/1999 Hentz F21S 8/02
248/302
D571,944 S * 6/2008 Pickard D26/74
D596,330 S * 7/2009 Pickard D26/74
D613,444 S * 4/2010 Rashidi D26/74
7,717,390 B1 * 5/2010 Rashidi F21V 21/048
248/343
D617,934 S * 6/2010 Rashidi D26/74
D624,688 S * 9/2010 Johnson D26/74
D641,909 S * 7/2011 Johnson D26/74
D642,317 S * 7/2011 Rashidi D26/74
8,328,382 B2 * 12/2012 Crooks F21V 21/04
362/148
D679,853 S 4/2013 Chiou et al.
D789,938 S * 6/2017 Lee D14/447

FIG. 1 illustrates a perspective view of a top side of a recessed lighting fixture.

FIG. 2 illustrates a perspective view of a top side of the recessed lighting fixture.

FIG. 3 illustrates a perspective view of a top side of the recessed lighting fixture.

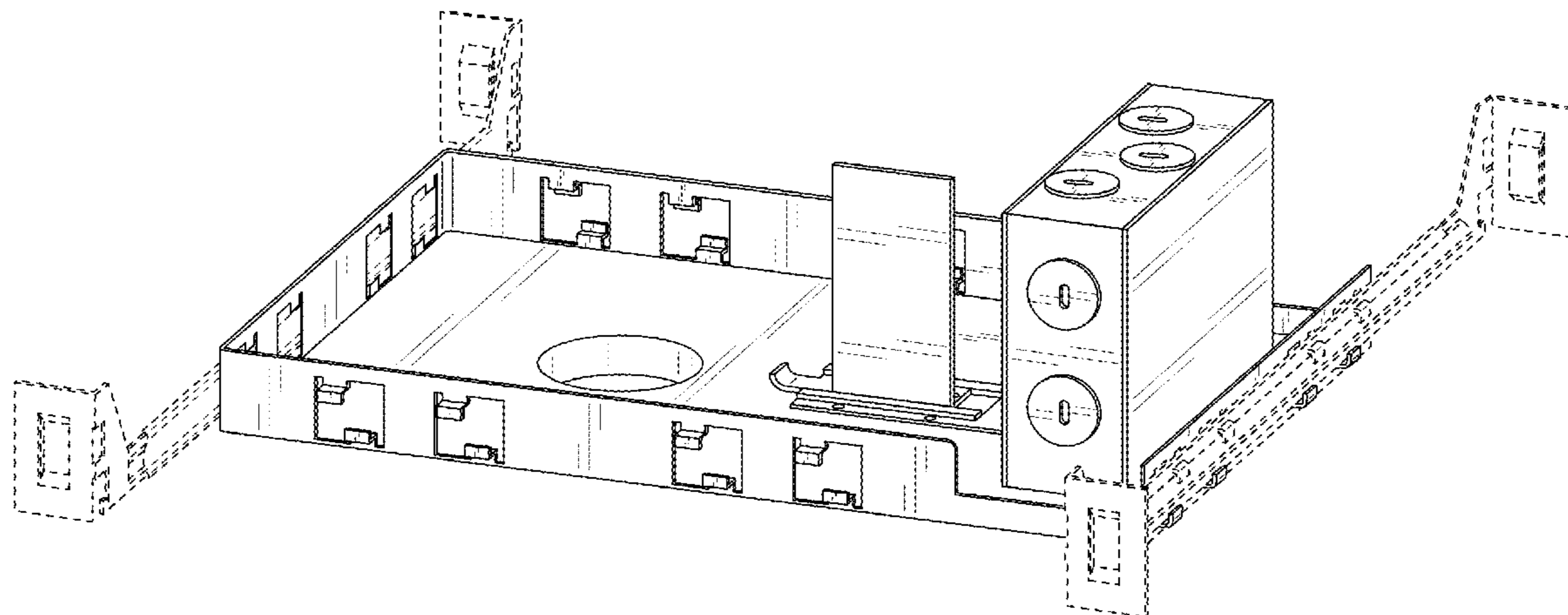
FIG. 4 illustrates a side view of the recessed lighting fixture, FIG. 5 illustrates a top plan view of the recessed lighting fixture,

FIG. 6 illustrates a perspective view of a bottom side of the recessed lighting fixture; and,

FIG. 7 illustrates a top perspective view of the recessed lighting fixture shown separately for clarity of illustration. The broken lines shown in the drawings represent portions of the recessed lighting fixture that form no part of the claimed design.

(Continued)

1 Claim, 7 Drawing Sheets



(56)

References Cited

U.S. PATENT DOCUMENTS

2016/0084488 A1* 3/2016 Wu F21S 8/026
362/364
2016/0327251 A1* 11/2016 Clark F21V 19/02

OTHER PUBLICATIONS

Taiwan Office Action for Patent Appl. No. 105304405 dated Mar. 2,
2017—3 pages.
Taiwan Office Action for Patent Appl. No. 105304405 dated Mar. 2,
2017 (English translation)—3 pages.

* cited by examiner

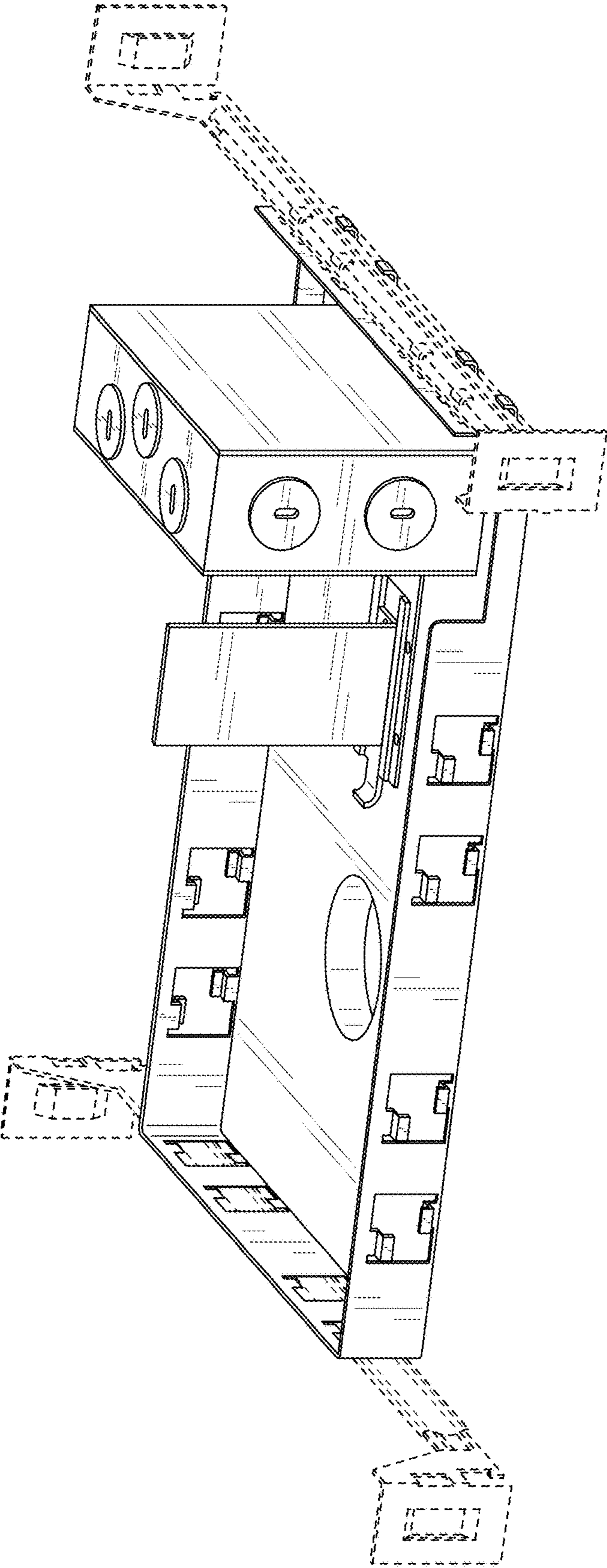


FIG. 1

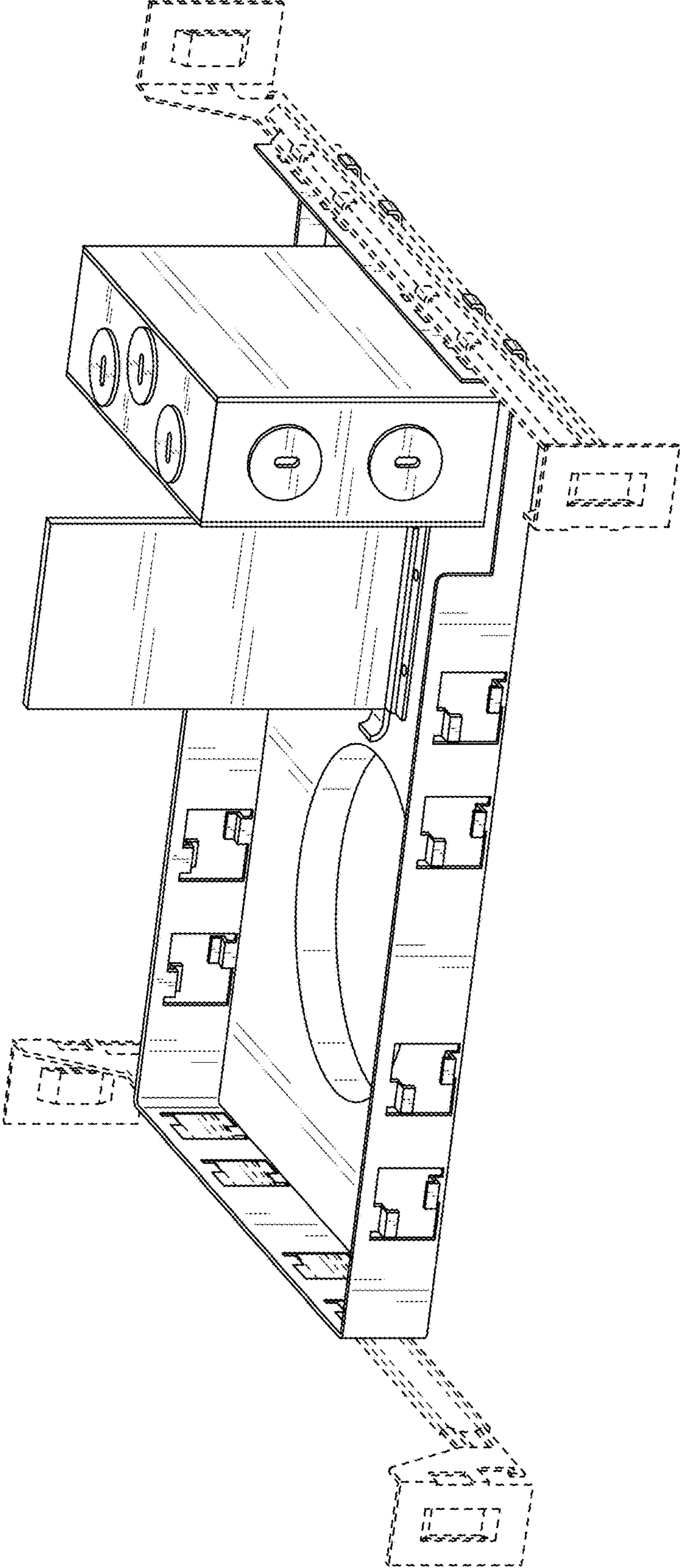


FIG. 2

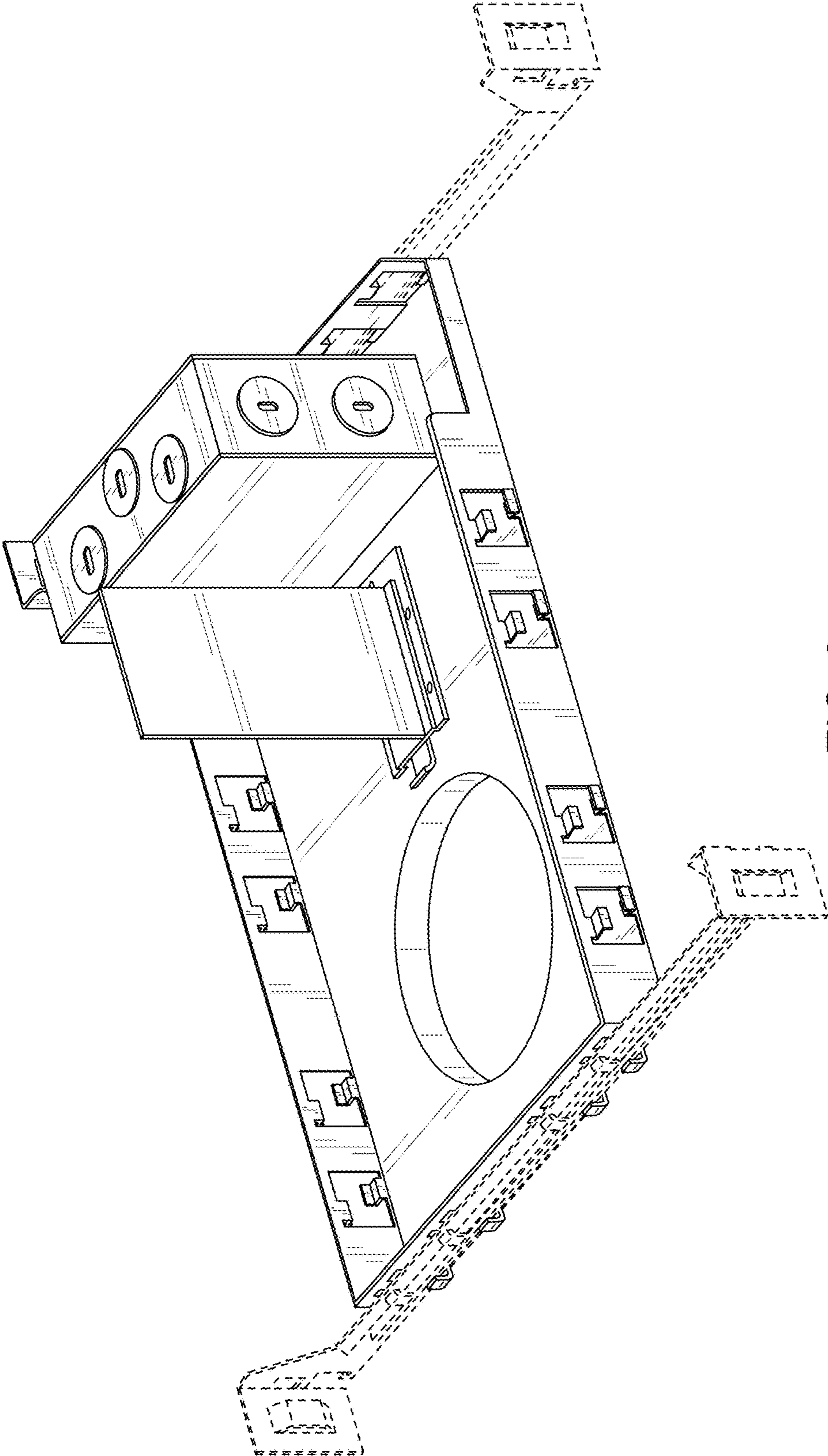


FIG. 3

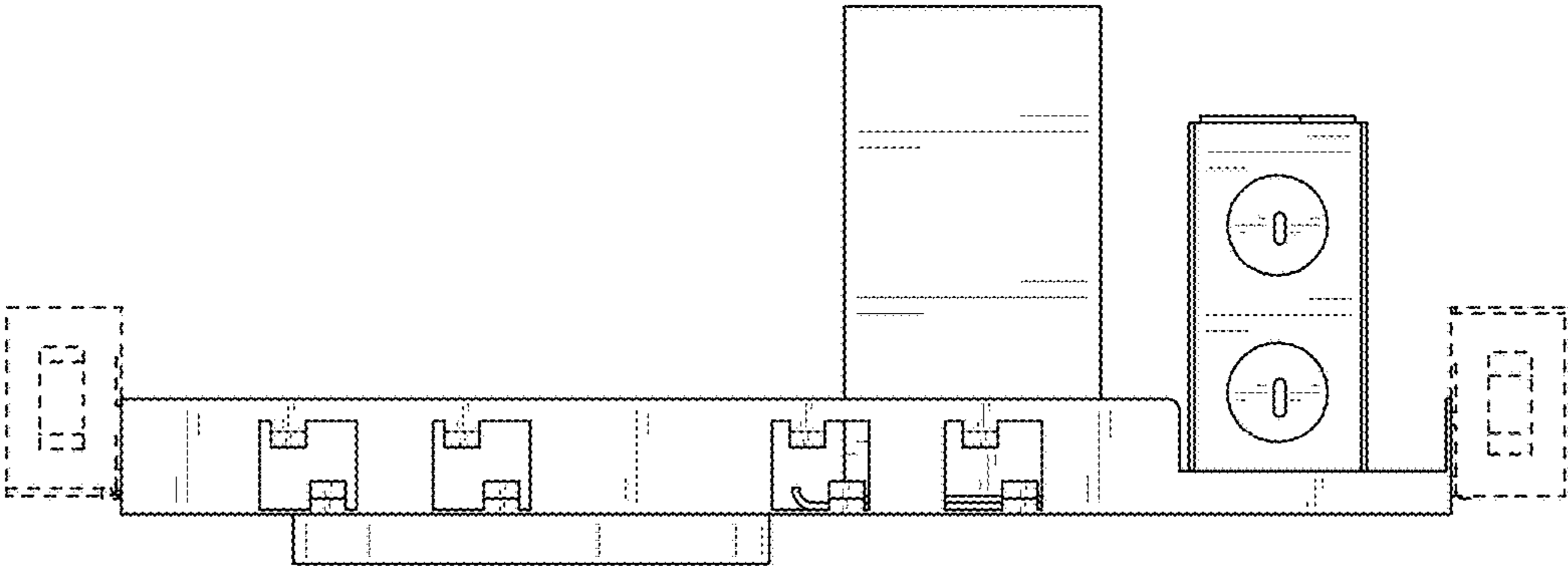


FIG. 4

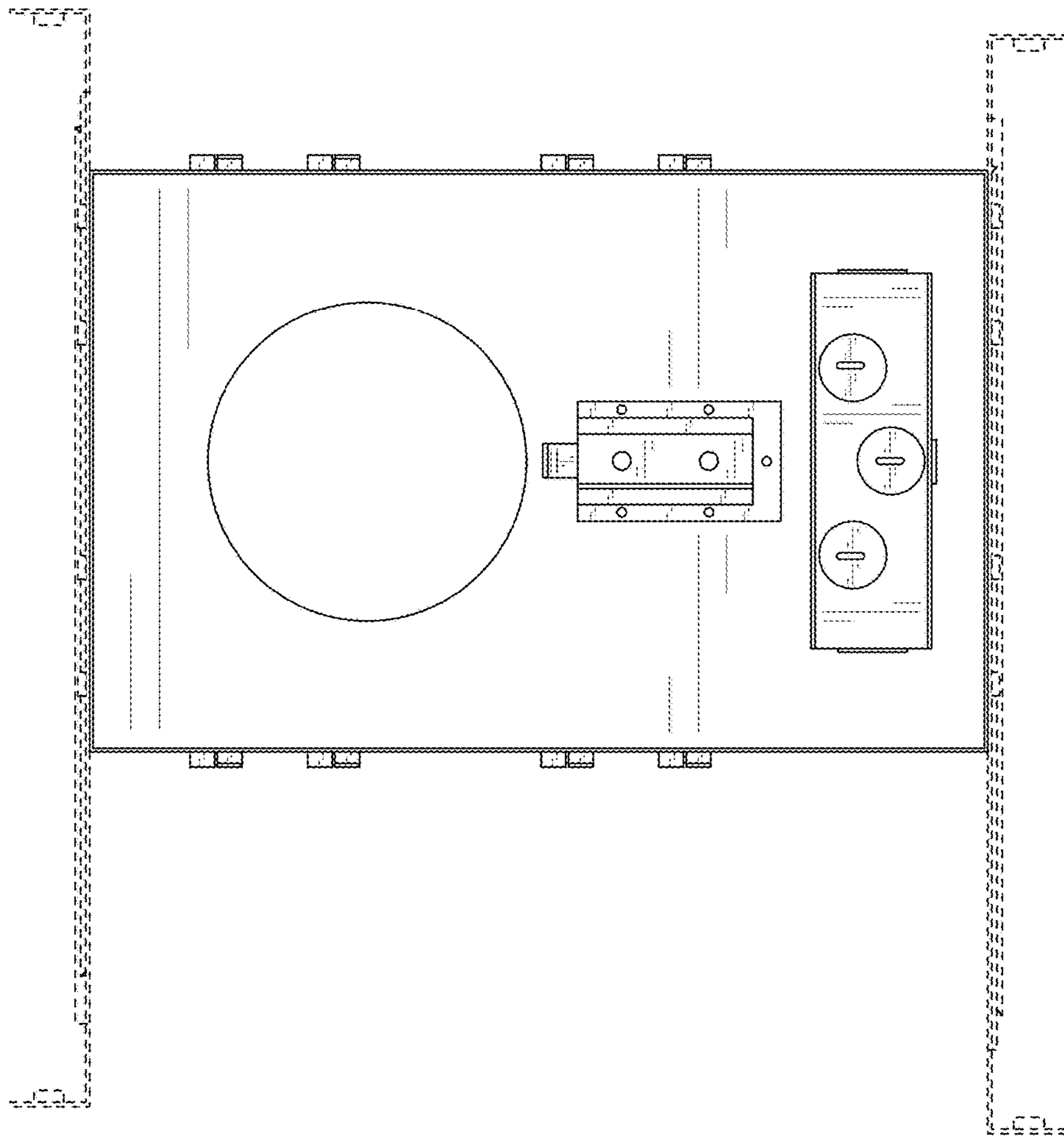


FIG. 5

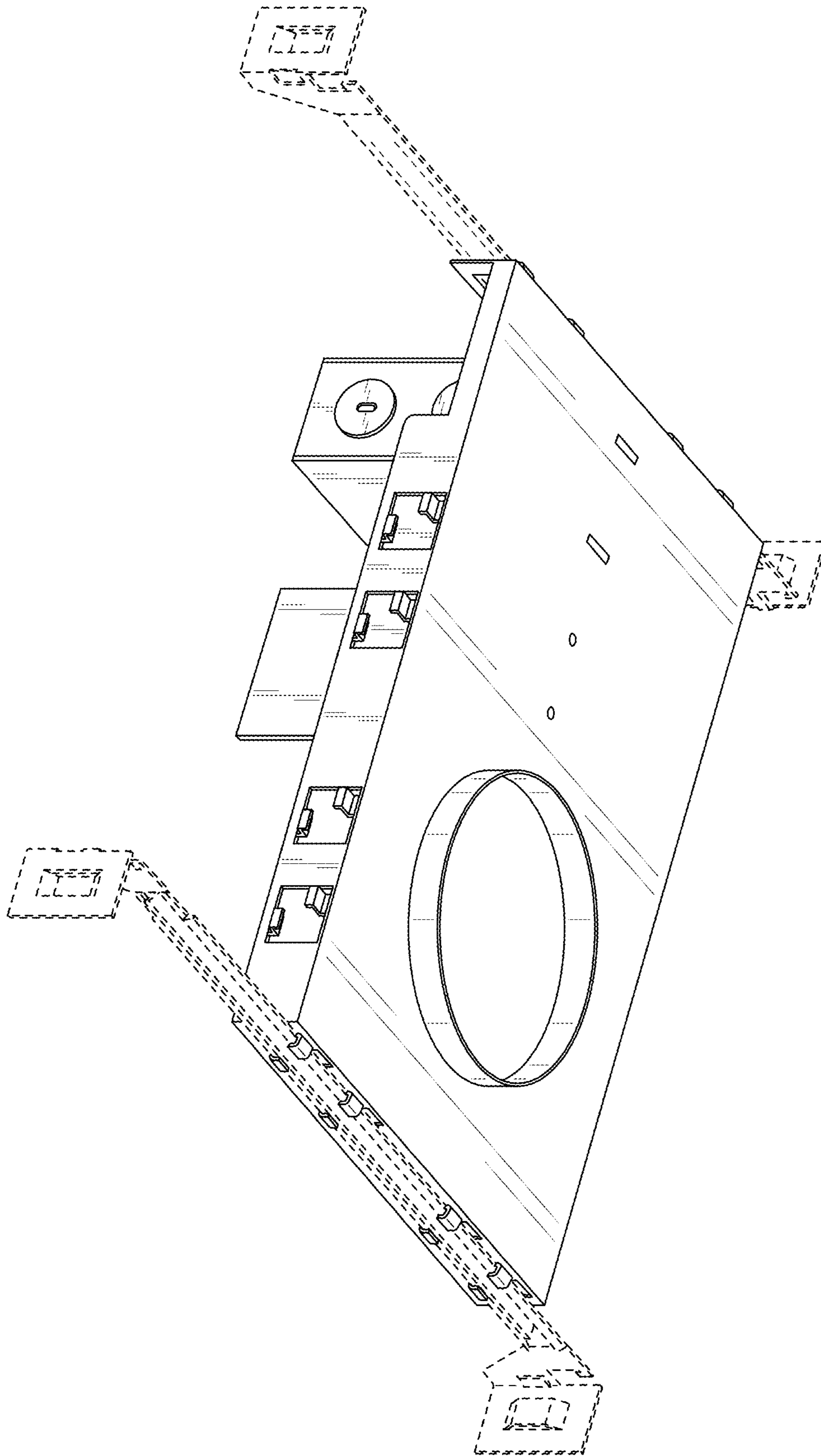


FIG. 6

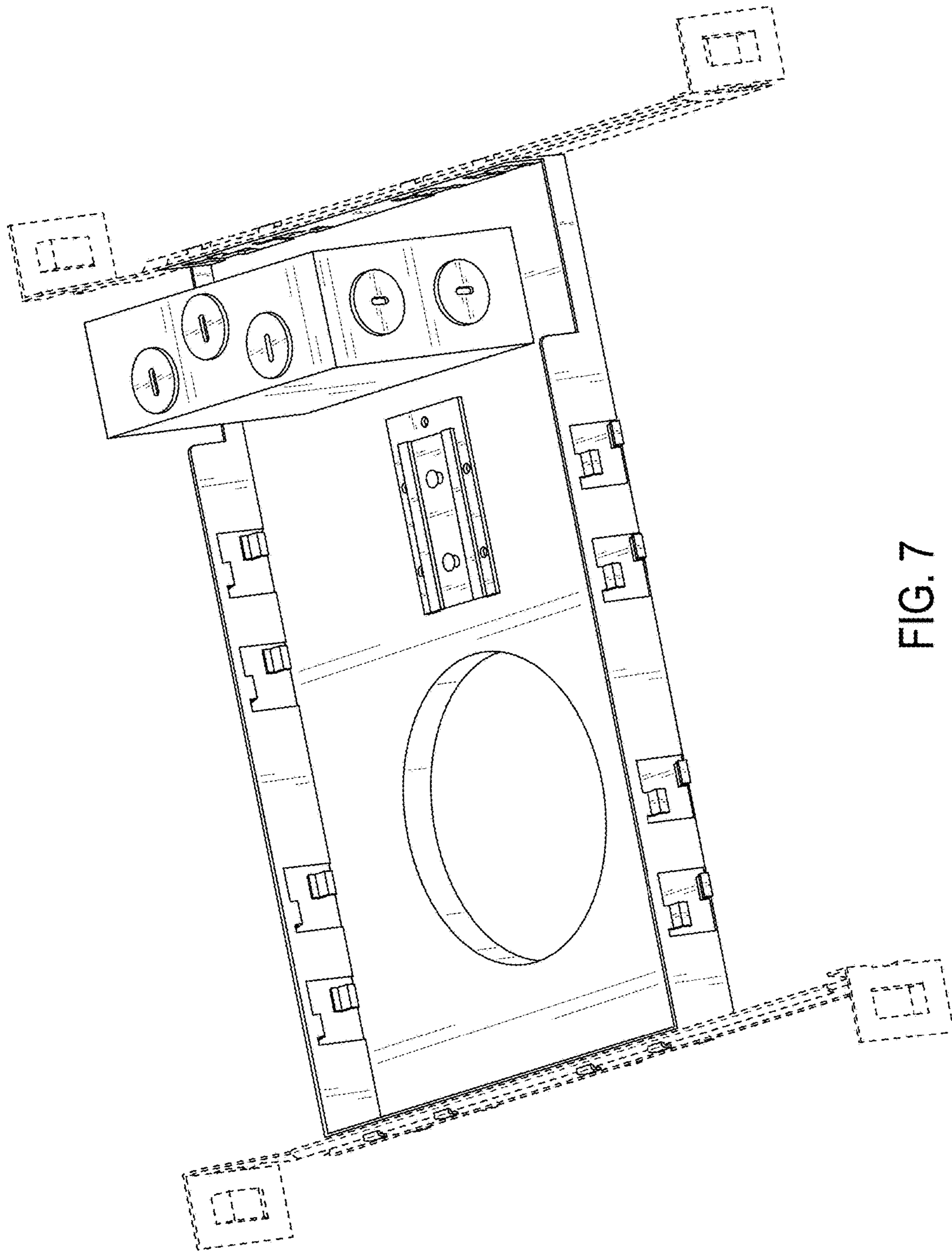


FIG. 7