



US00D824566S

(12) **United States Design Patent** (10) **Patent No.:** **US D824,566 S**
Santoro et al. (45) **Date of Patent:** **** Jul. 31, 2018**

(54) **SUSPENDED ROUND LUMINAIRE**

(71) Applicant: **Fluxwerx Illumination Inc.**, Delta (CA)

(72) Inventors: **Scott Santoro**, Delta (CA); **Lance David Howitt**, Vancouver (CA)

(73) Assignee: **Fluxwerx Illumination Inc.**, Surrey (CA)

(**) Term: **15 Years**

(21) Appl. No.: **29/552,879**

(22) Filed: **Jan. 26, 2016**

(51) **LOC (11) Cl.** **26-05**

(52) **U.S. Cl.**
USPC **D26/74**

(58) **Field of Classification Search**
USPC D26/74, 72, 75, 76, 77, 78, 85, 88, 89,
D26/118, 138, 141; 362/364, 365, 373,
362/145, 146, 147, 148, 150, 153, 153.1,
362/294, 296.01, 296.07, 296.08
See application file for complete search history.

(56) **References Cited**

U.S. PATENT DOCUMENTS

D437,654 S *	2/2001	Chen	D26/74
D474,300 S *	5/2003	Lecluze	D26/74
D583,981 S *	12/2008	Meyer	D26/89
D599,951 S *	9/2009	Pickard	D26/138
D601,744 S *	10/2009	Sakuma	D26/89
D617,035 S *	6/2010	Sabernig	D26/79
D639,993 S *	6/2011	Mier-Langner	F21S 8/02 D26/74

D667,985 S *	9/2012	Gielen	D26/89
D705,473 S *	5/2014	Messisaen	D26/74
D736,986 S *	8/2015	Hadrath	D26/118
D759,873 S *	6/2016	Saaranen	D26/74
D770,084 S *	10/2016	Salomon	D26/138
D773,102 S *	11/2016	Meise	D26/89

* cited by examiner

Primary Examiner — Angela J Lee

(74) *Attorney, Agent, or Firm* — Oyen Wiggs Green & Mutala LLP

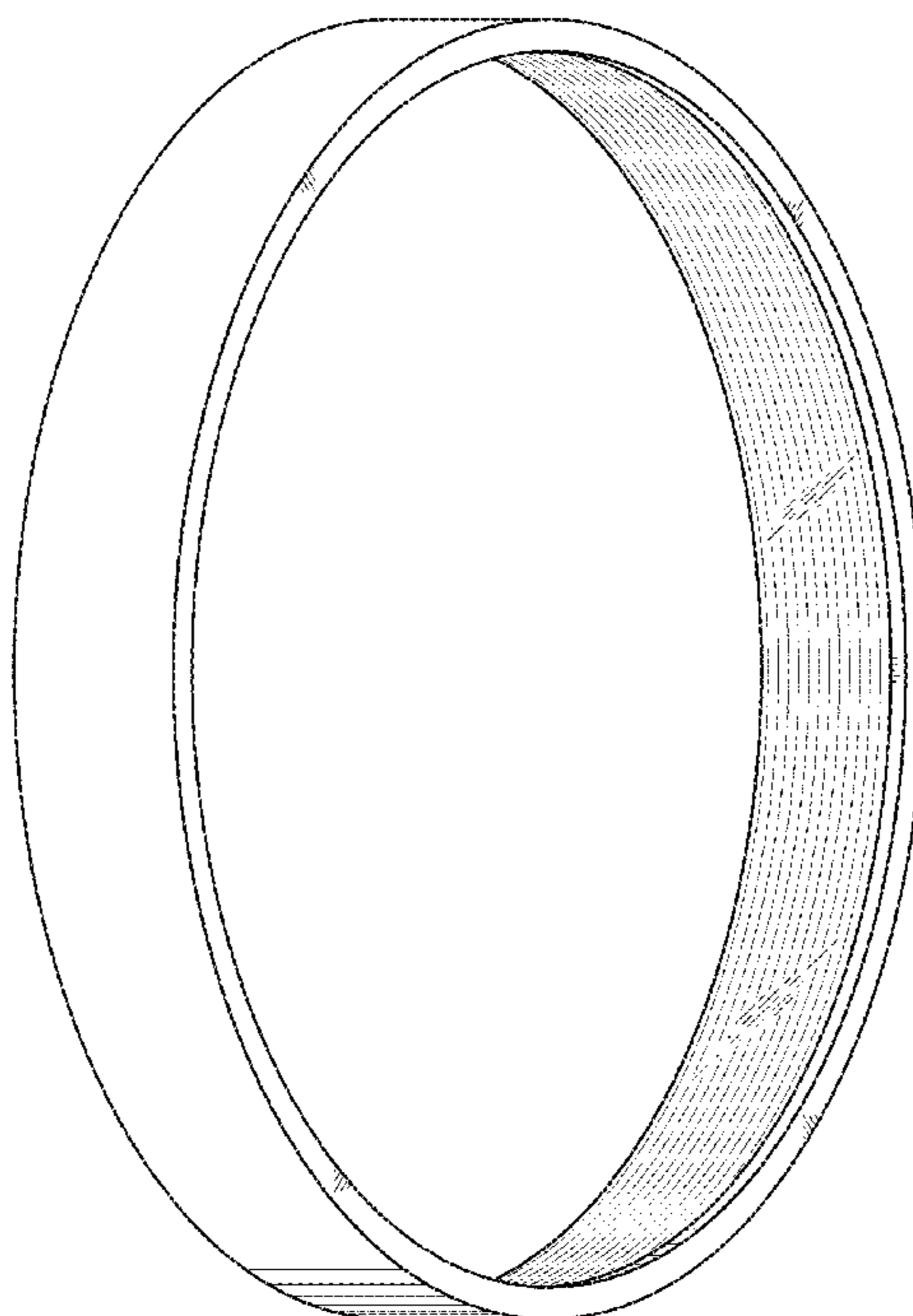
(57) **CLAIM**

The ornamental design for a suspended round luminaire, as shown and described.

DESCRIPTION

FIG. 1 is a bottom view of a first embodiment of a suspended round luminaire, showing our new design;
FIG. 2 is a bottom perspective view thereof;
FIG. 3 is a bottom view of a second embodiment of a suspended round luminaire, showing our new design;
FIG. 4 is a bottom perspective view thereof;
FIG. 5 is a bottom view of a third embodiment of a suspended round luminaire, showing our new design;
FIG. 6 is a bottom perspective view thereof;
FIG. 7 is a bottom view of a fourth embodiment of a suspended round luminaire, showing our new design;
FIG. 8 is a bottom perspective view thereof;
FIG. 9 is a bottom view of a fifth embodiment of a suspended round luminaire, showing our new design; and,
FIG. 10 is a bottom perspective view thereof.

1 Claim, 6 Drawing Sheets



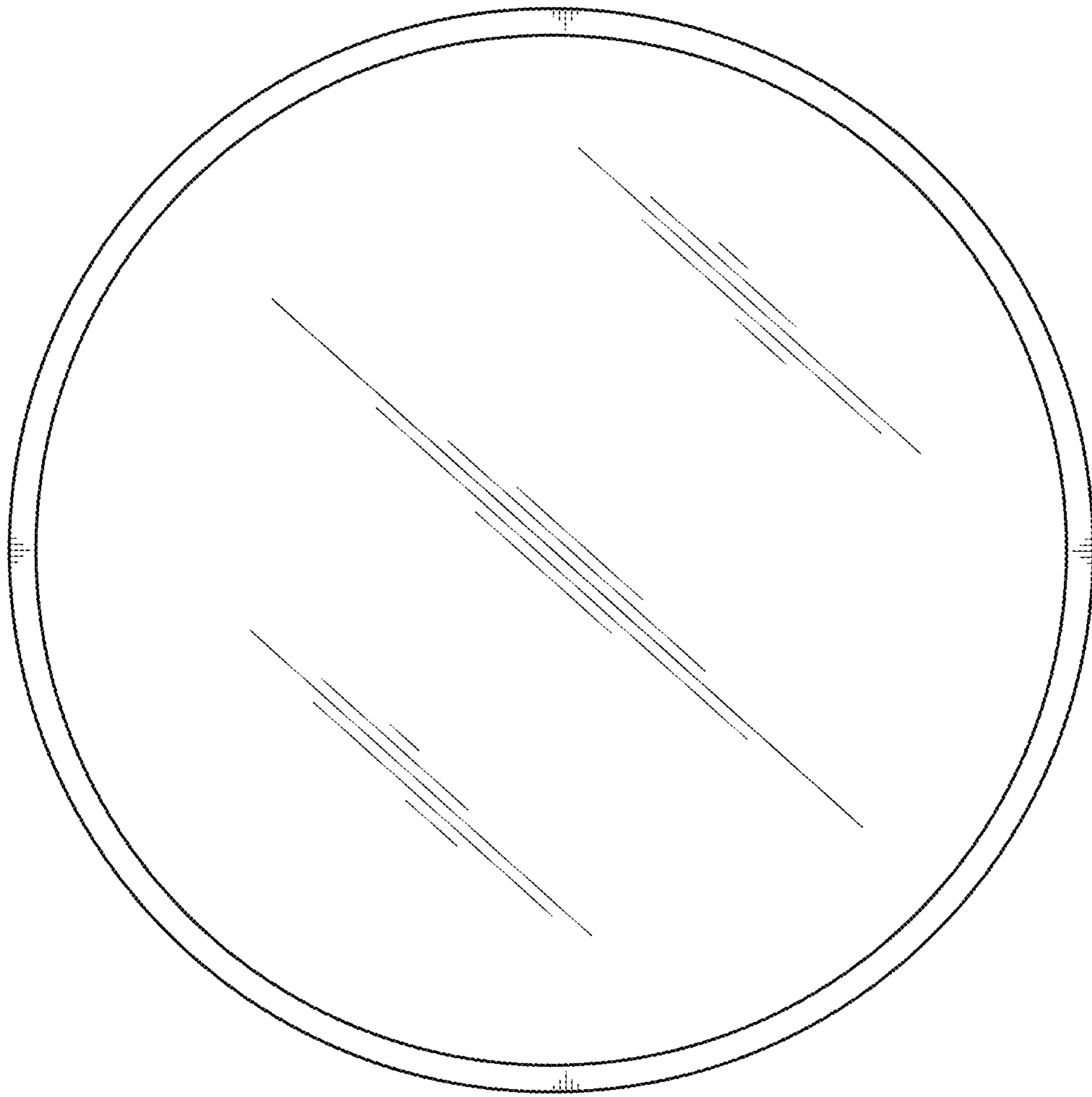


Fig. 1

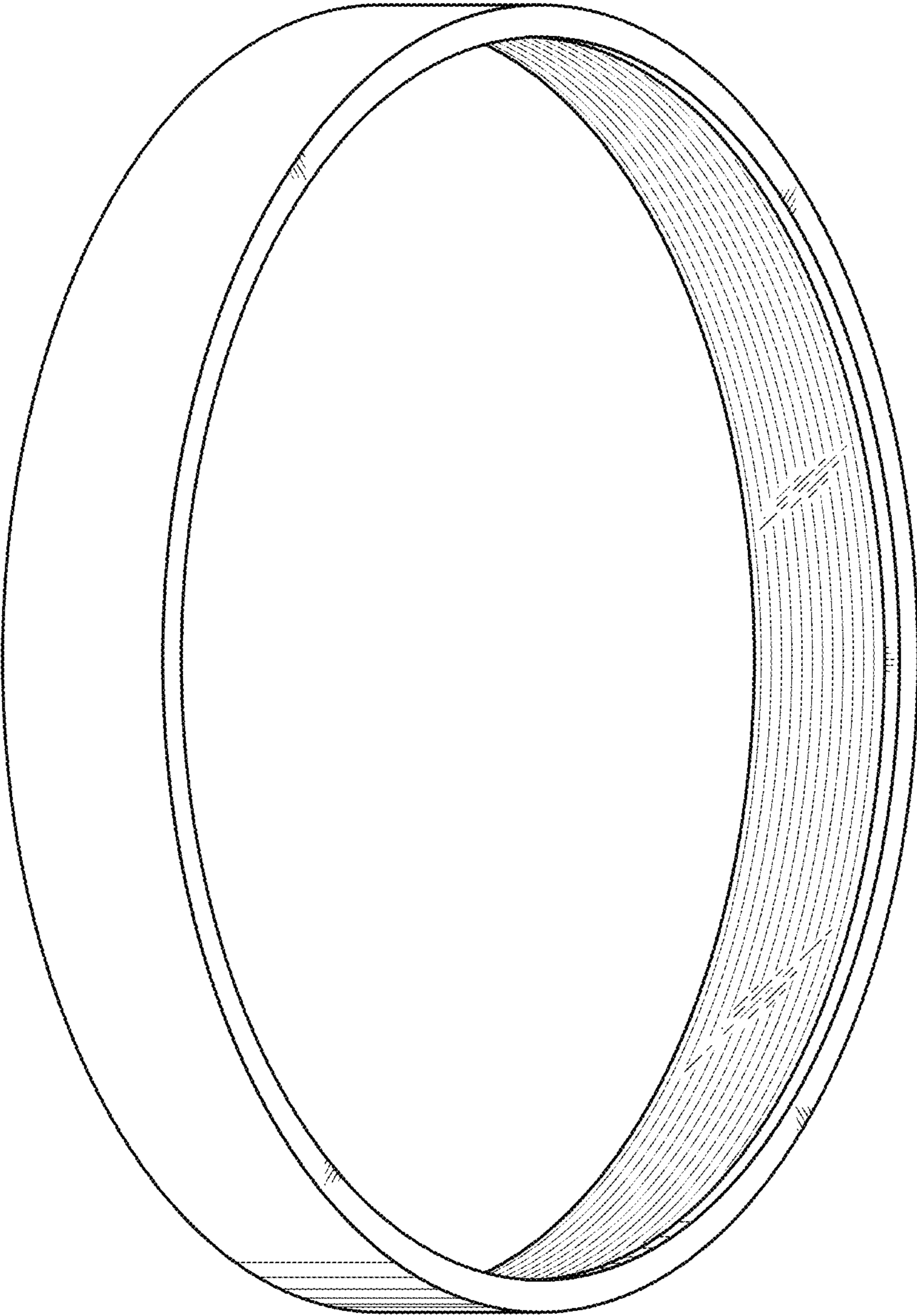


Fig. 2

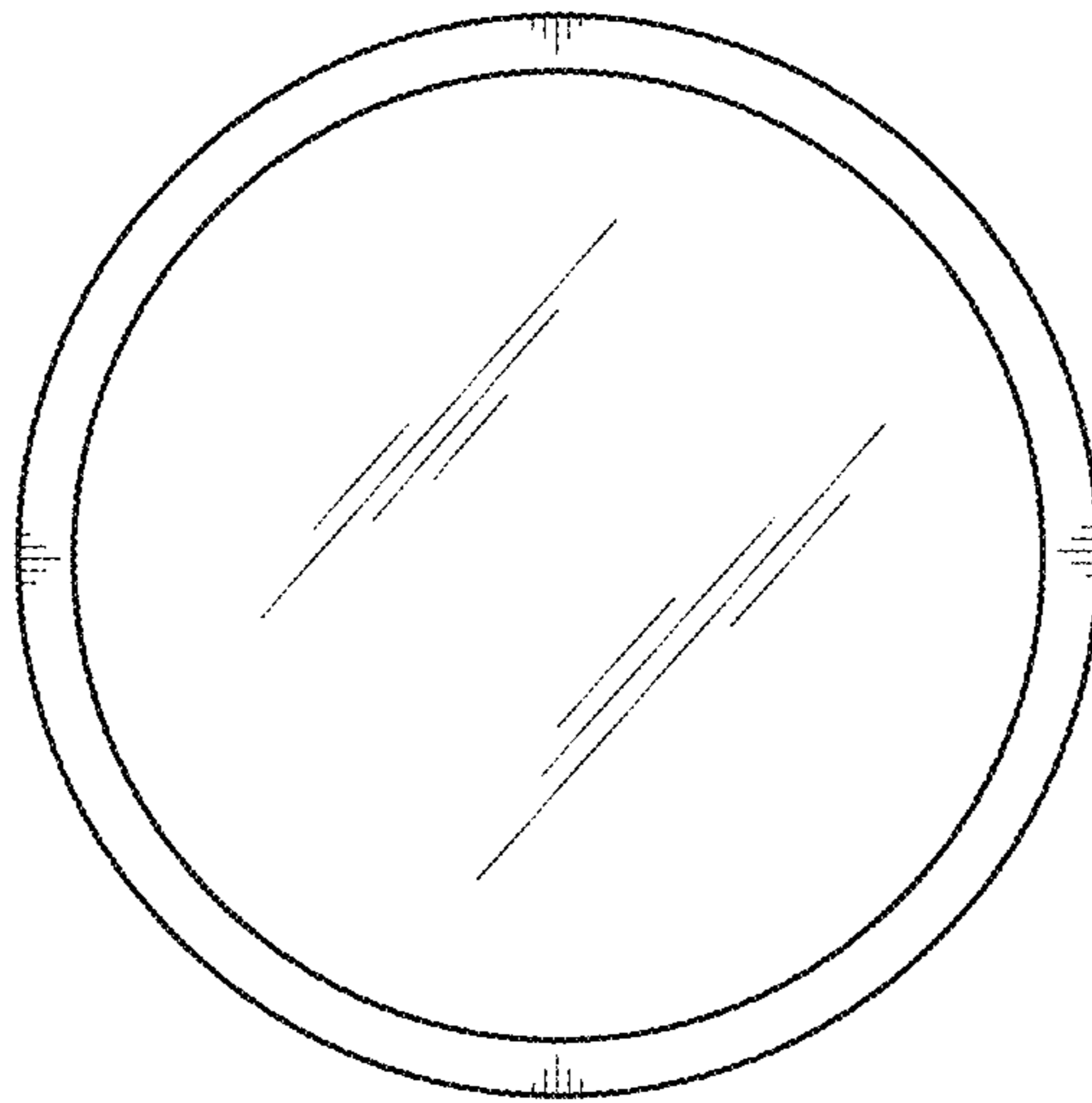


Fig. 3

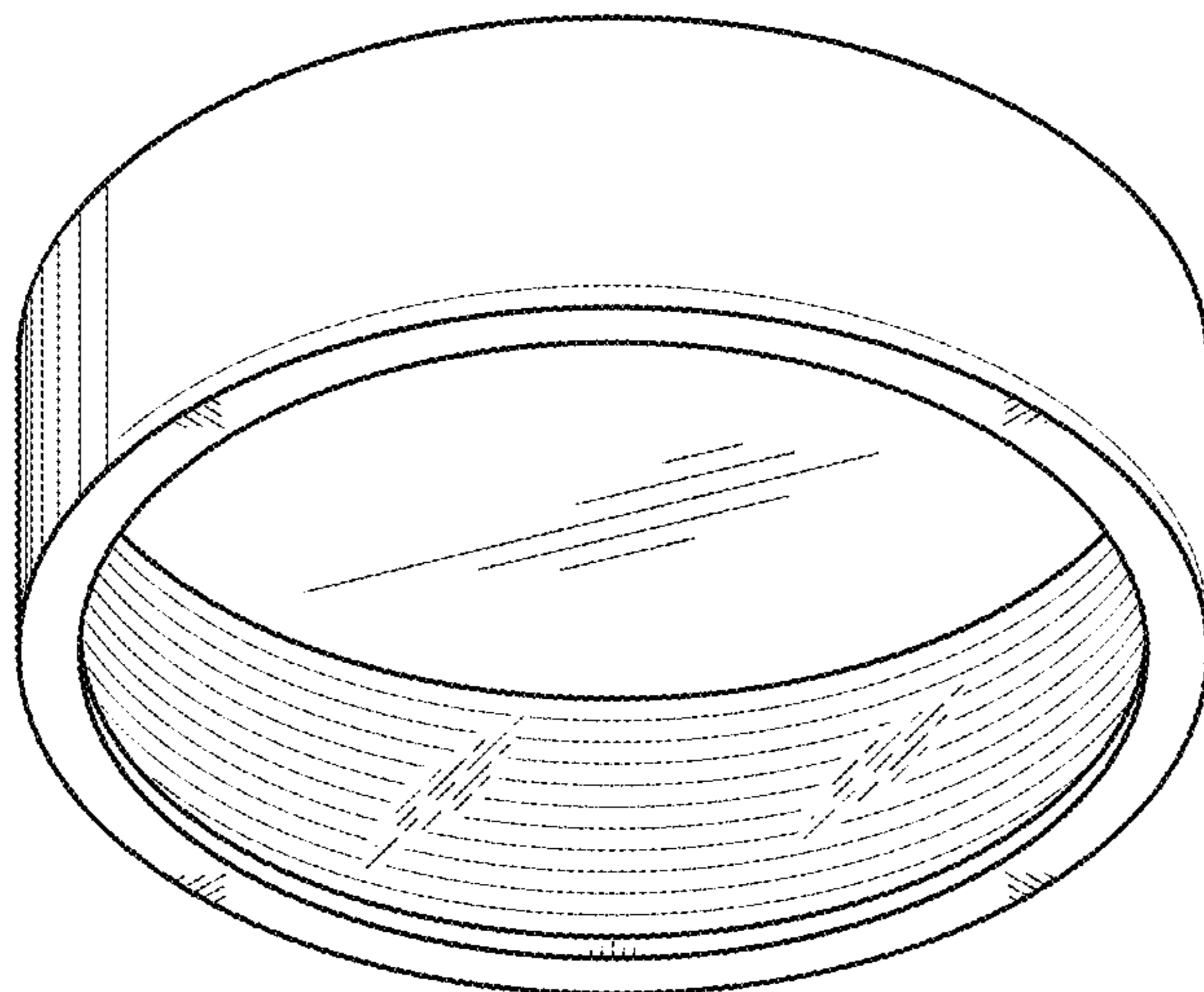


Fig. 4

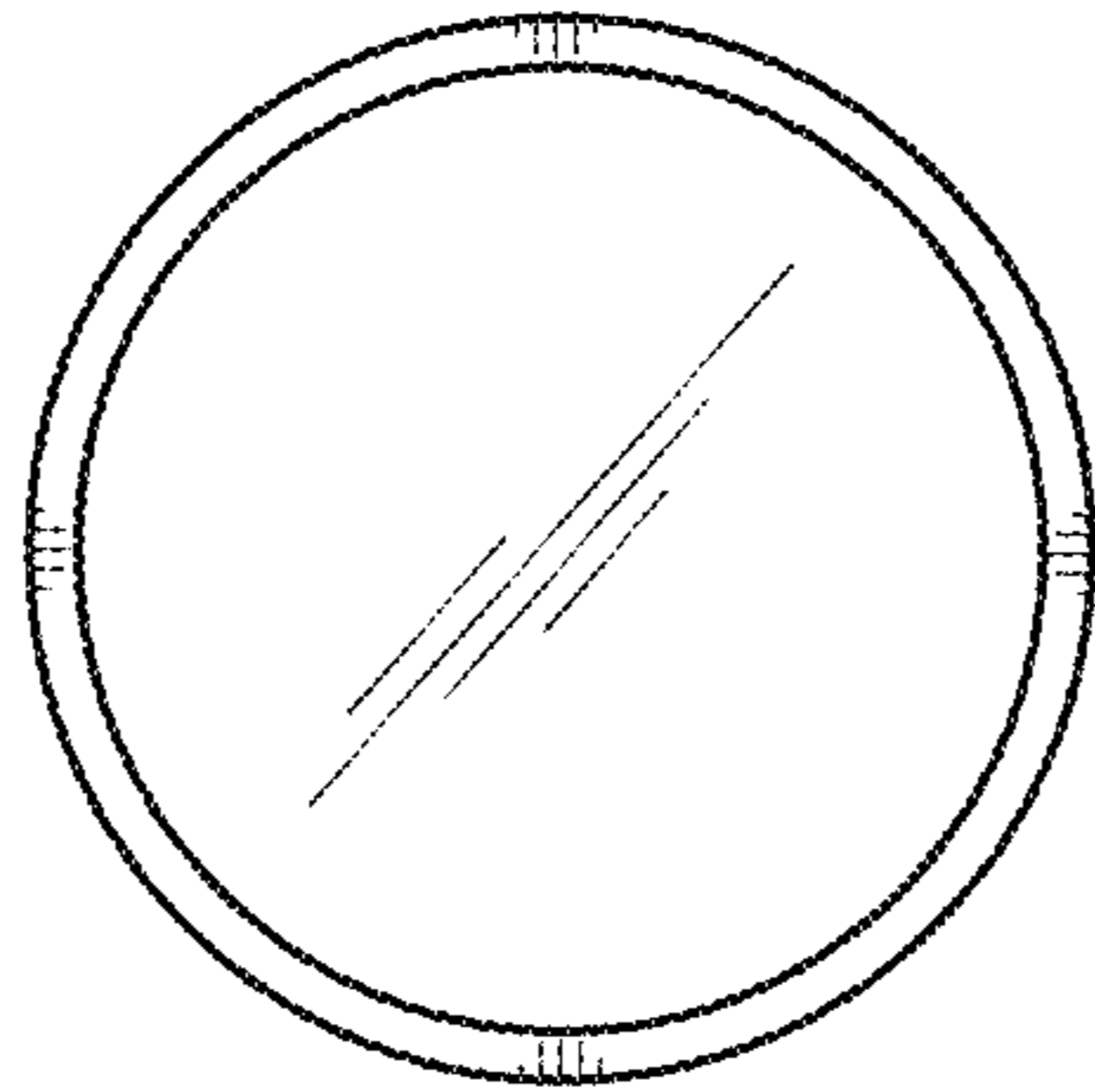


Fig. 5

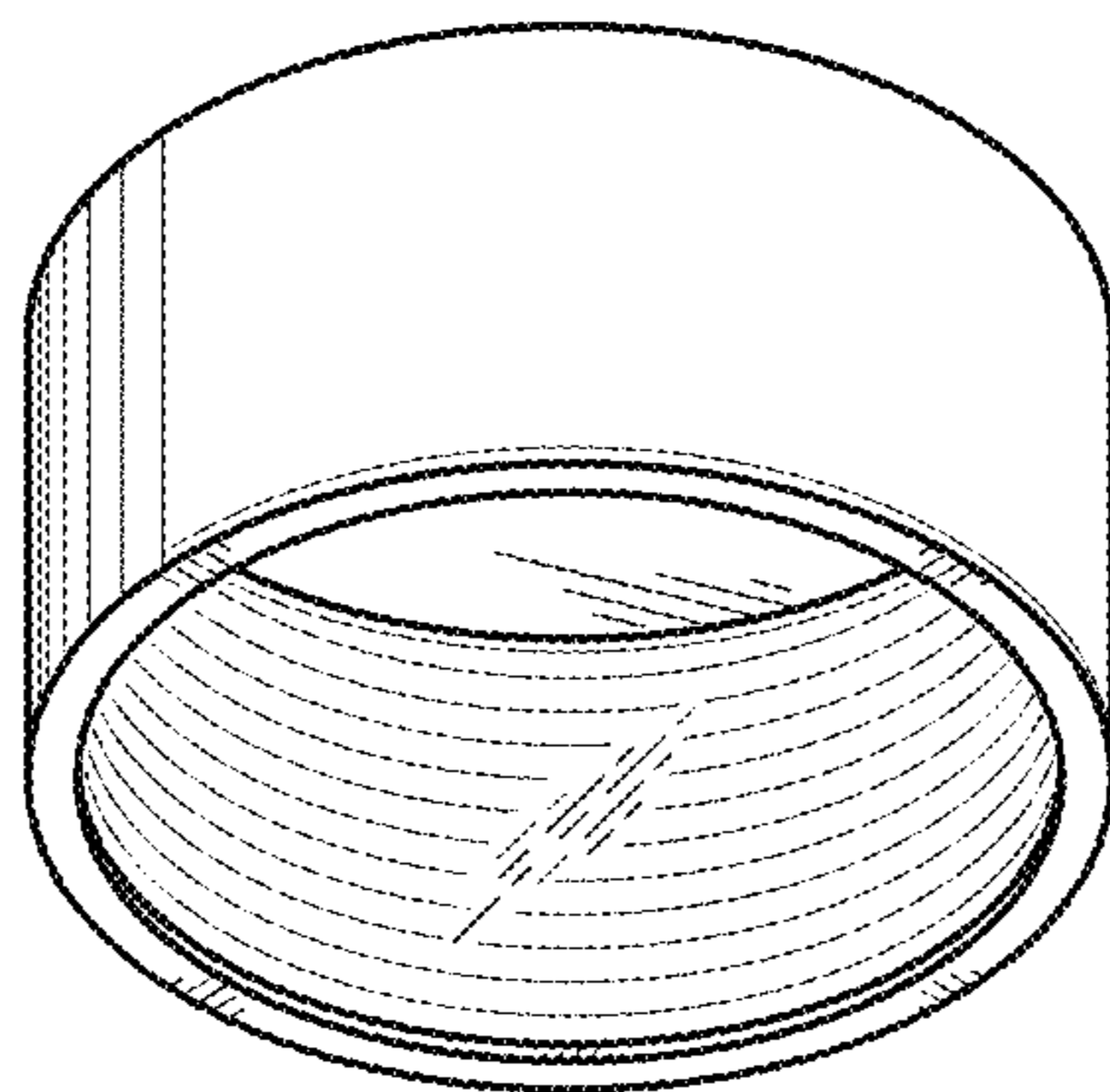


Fig. 6

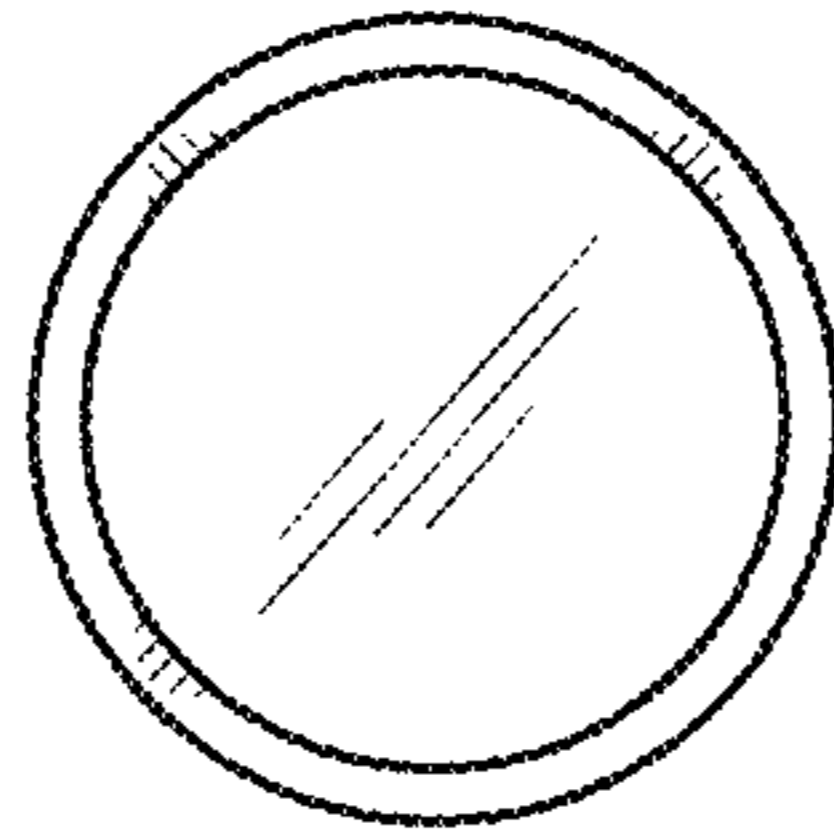


Fig. 7

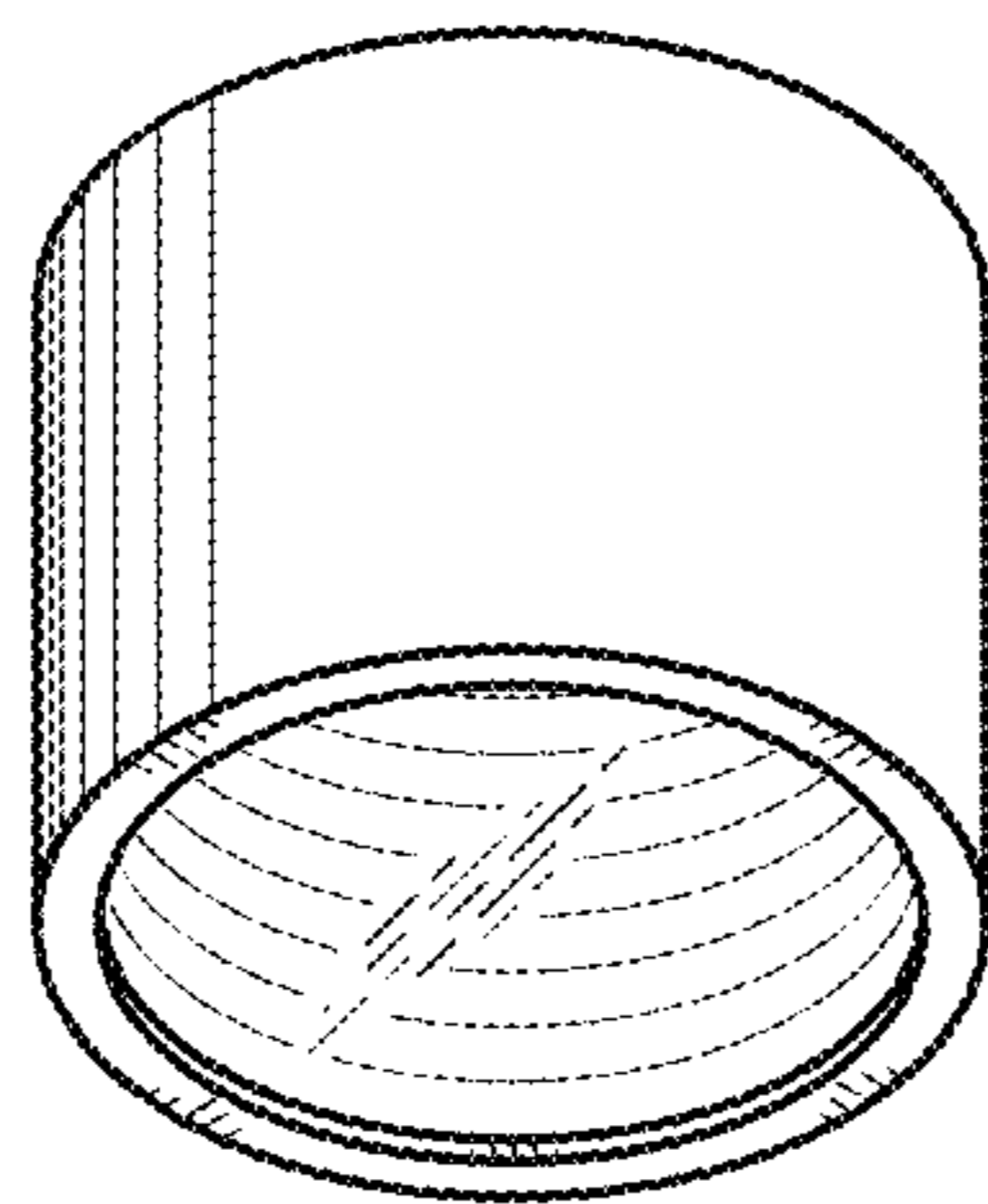


Fig. 8

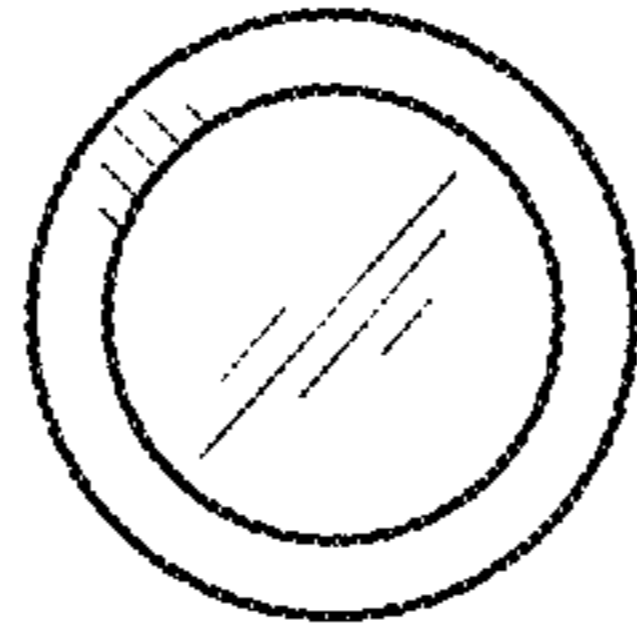


Fig. 9

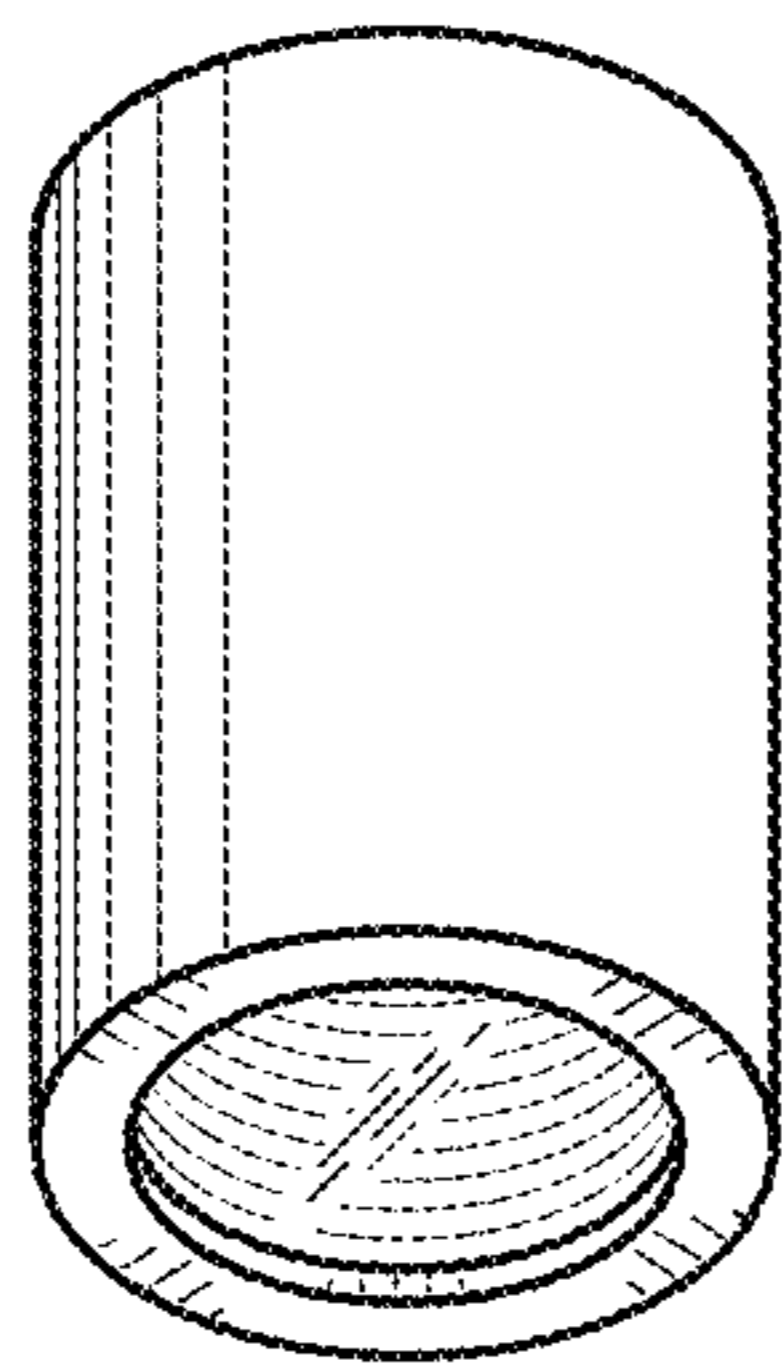


Fig. 10