

US00D824563S

(12) **United States Design Patent**  
**Sonneman**

(10) **Patent No.:** **US D824,563 S**  
(45) **Date of Patent:** **\*\* Jul. 31, 2018**

(54) **LIGHT FIXTURE**

(71) Applicant: **Robert A. Sonneman**, Mamaroneck,  
NY (US)

(72) Inventor: **Robert A. Sonneman**, Mamaroneck,  
NY (US)

(\*\*) Term: **15 Years**

(21) Appl. No.: **29/629,095**

(22) Filed: **Dec. 11, 2017**

(51) **LOC (11) Cl.** ..... **26-05**

(52) **U.S. Cl.**  
USPC ..... **D26/68**

(58) **Field of Classification Search**  
USPC ..... D26/67, 68, 72, 74, 80, 82, 83, 85, 86,  
D26/87, 92  
CPC .. F21S 8/033; F21S 8/035; F21S 8/036; F21S  
8/037; F21V 21/041; F21V 21/042; F21V  
21/044

See application file for complete search history.

(56) **References Cited**

**U.S. PATENT DOCUMENTS**

- 4,438,484 A \* 3/1984 Winden ..... F21S 8/083  
362/145
- 4,835,661 A \* 5/1989 Fogelberg ..... G09F 13/04  
362/223
- D381,449 S \* 7/1997 Metcheat, III ..... D26/68
- D388,900 S \* 1/1998 Metcheat, III ..... D26/68
- D409,325 S \* 5/1999 Holder ..... D26/74
- 6,062,704 A \* 5/2000 Holder ..... F21S 8/024  
362/147
- 6,457,847 B1 \* 10/2002 LeVasseur ..... F21V 3/00  
362/147
- 6,652,113 B2 \* 11/2003 Tant ..... F21S 8/033  
362/147
- 7,108,394 B1 \* 9/2006 Swarens ..... F21S 8/02  
362/147
- D588,738 S \* 3/2009 Goetz-Schaefer ..... D26/68

- D630,787 S \* 1/2011 Pan ..... D26/68
- D670,848 S \* 11/2012 Reo ..... D26/68
- D678,578 S \* 3/2013 Wauters ..... D26/68
- D679,436 S \* 4/2013 Gismondi ..... D26/68
- 8,770,801 B1 \* 7/2014 Berns ..... F21S 8/083  
362/296.01
- D753,331 S \* 4/2016 Gough ..... D26/85
- D773,710 S \* 12/2016 Ahrari ..... D26/68
- D787,733 S 5/2017 Sonneman
- D797,345 S 9/2017 Sonneman

(Continued)

**OTHER PUBLICATIONS**

Square Curve Outdoor LED Bollard by Sonneman Lighting. Found at Ylighting.com visited Jun. 11, 2018. (Year: 2018).\*

(Continued)

*Primary Examiner* — Clare E Heflin  
(74) *Attorney, Agent, or Firm* — Gottlieb, Rackman & Reisman, P.C.

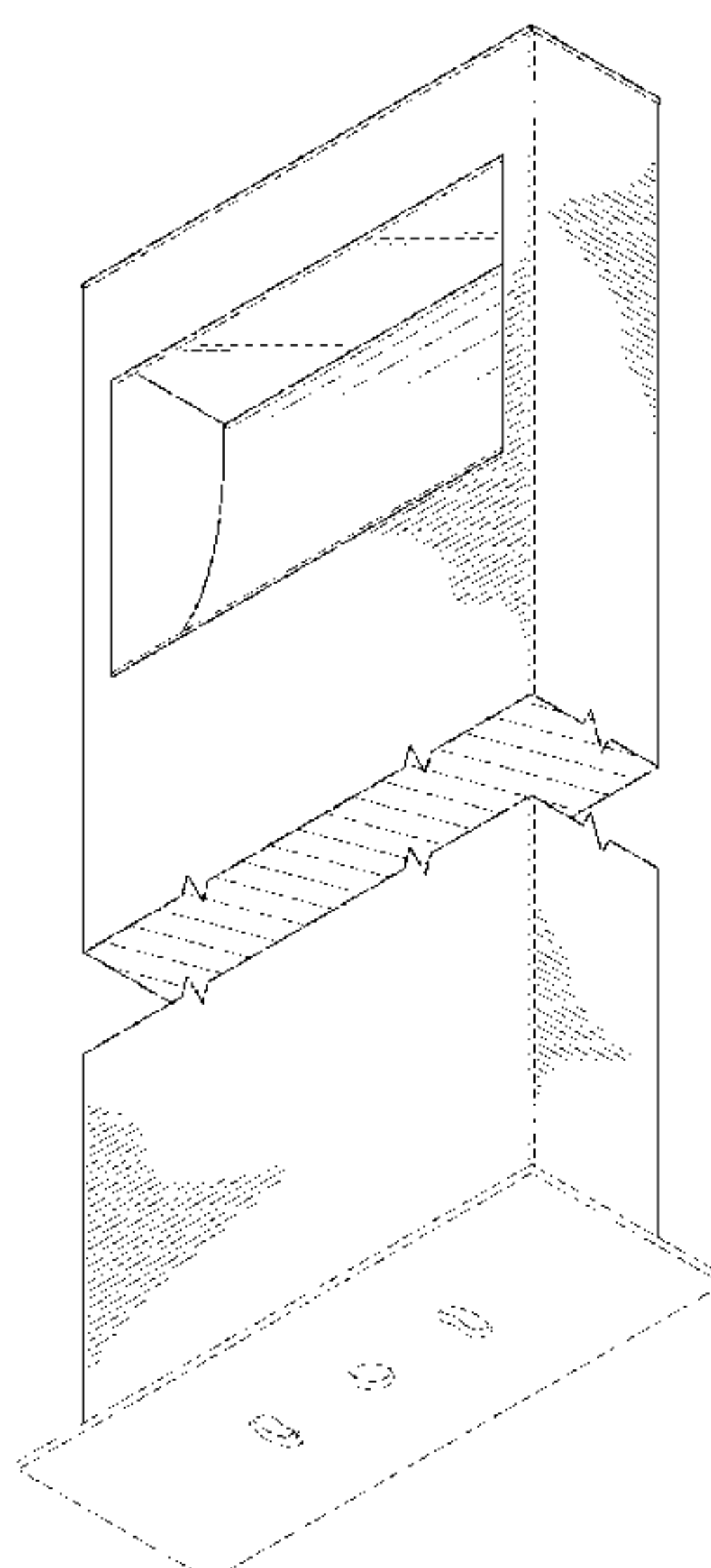
(57) **CLAIM**

The ornamental design for a light fixture, as shown and described.

**DESCRIPTION**

FIG. 1 is a first perspective view of the light fixture showing my new design;  
FIG. 2 is a second perspective view thereof;  
FIG. 3 is a front elevational view thereof;  
FIG. 4 is a rear elevational view thereof;  
FIG. 5 is a right side elevational view thereof;  
FIG. 6 is a left side elevational view thereof;  
FIG. 7 is a top plan view thereof; and,  
FIG. 8 is a bottom plan view thereof.  
The broken away symbols in the drawings indicate the appearance of any portion of the article between the break lines forms no part of the claimed design.

**1 Claim, 8 Drawing Sheets**



(56)

**References Cited**

U.S. PATENT DOCUMENTS

9,835,301 B2 \* 12/2017 Sorensen ..... F21S 8/083

OTHER PUBLICATIONS

Logs 40 Outdoor Bollard by SLV Lighting North America. From houzz.com visited Jun. 11, 2018. (Year: 2018).\*

Aluminux AL 2-Light LED Pathway Light Model No. E41363-BZ form ET2 Contemporary Lighting. Spec. Sheet (c)2014. (Year: 2014).\*

\* cited by examiner

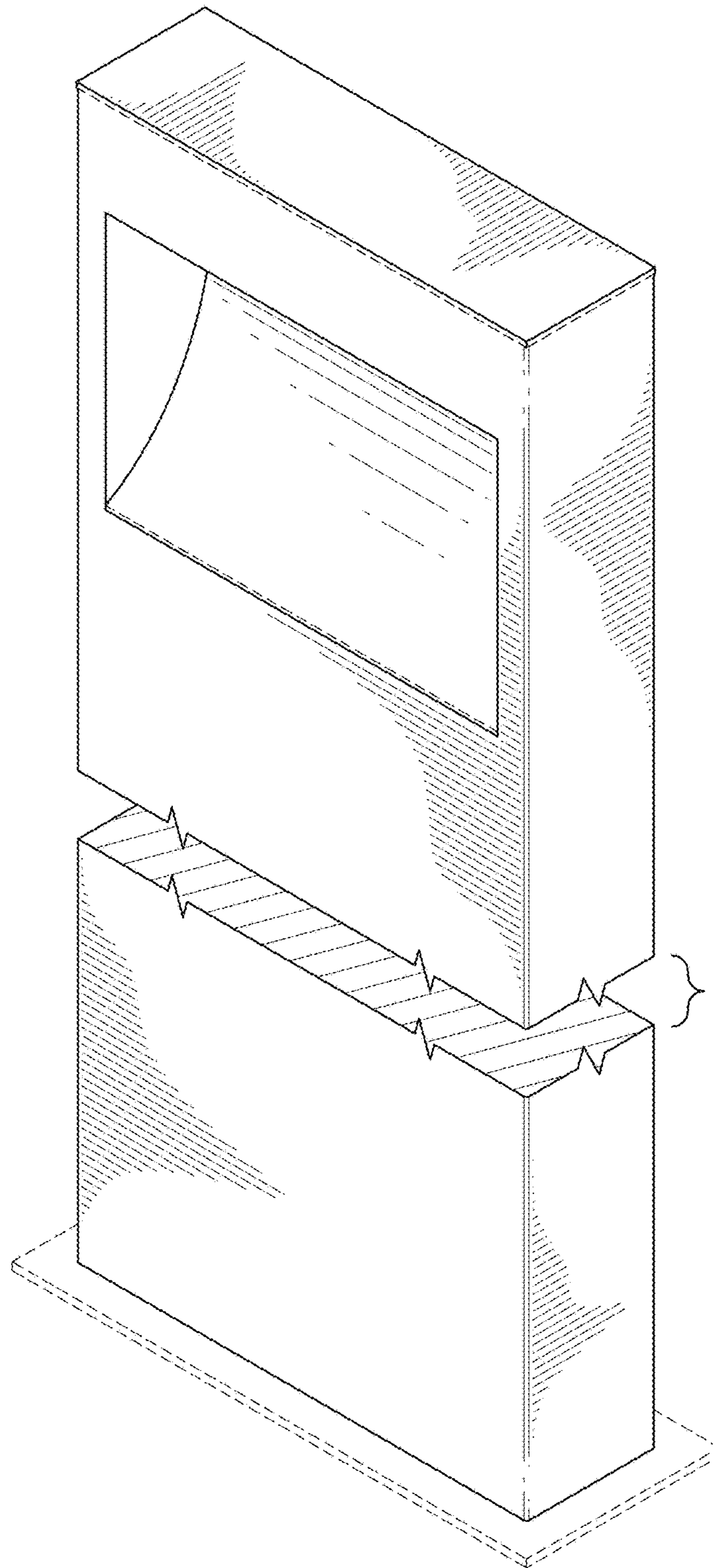


FIG. 1

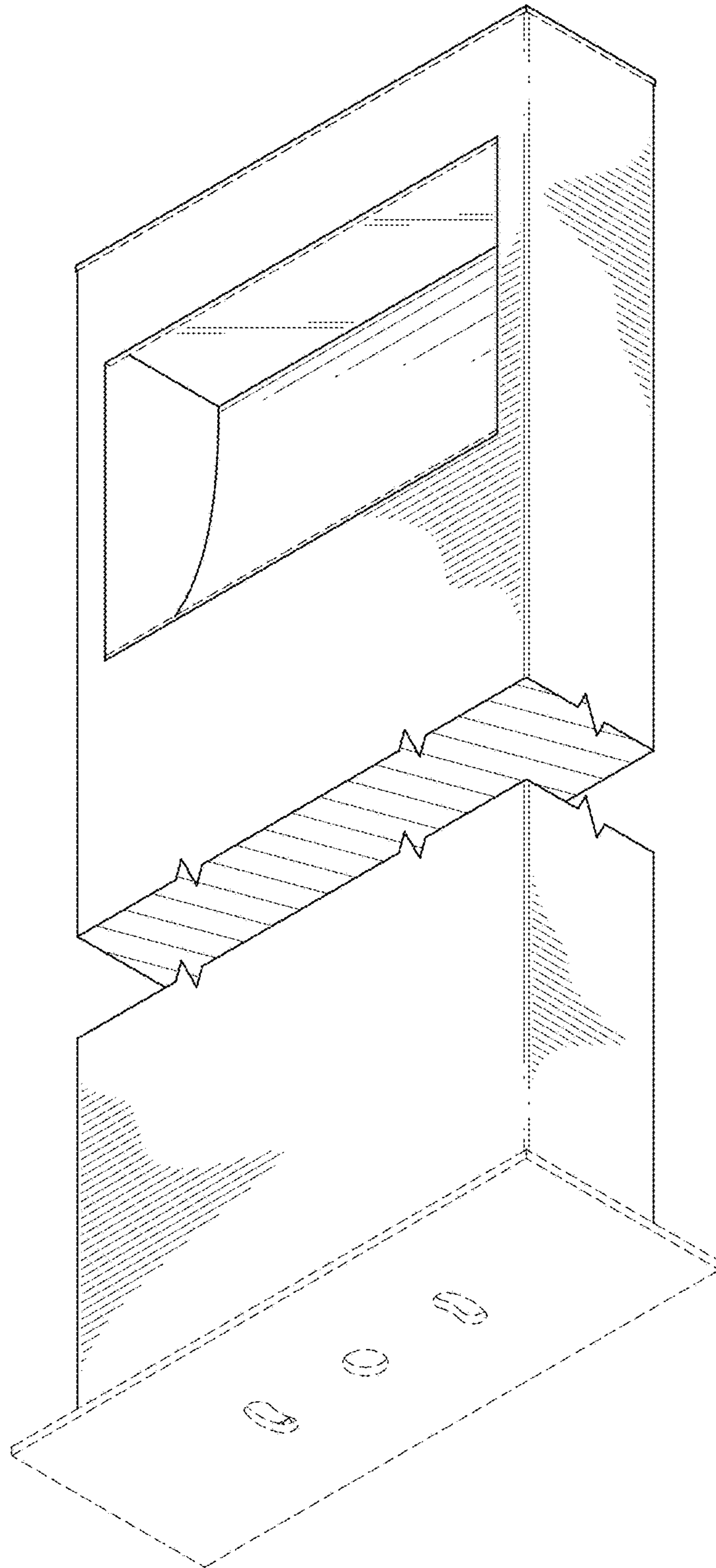


FIG. 2

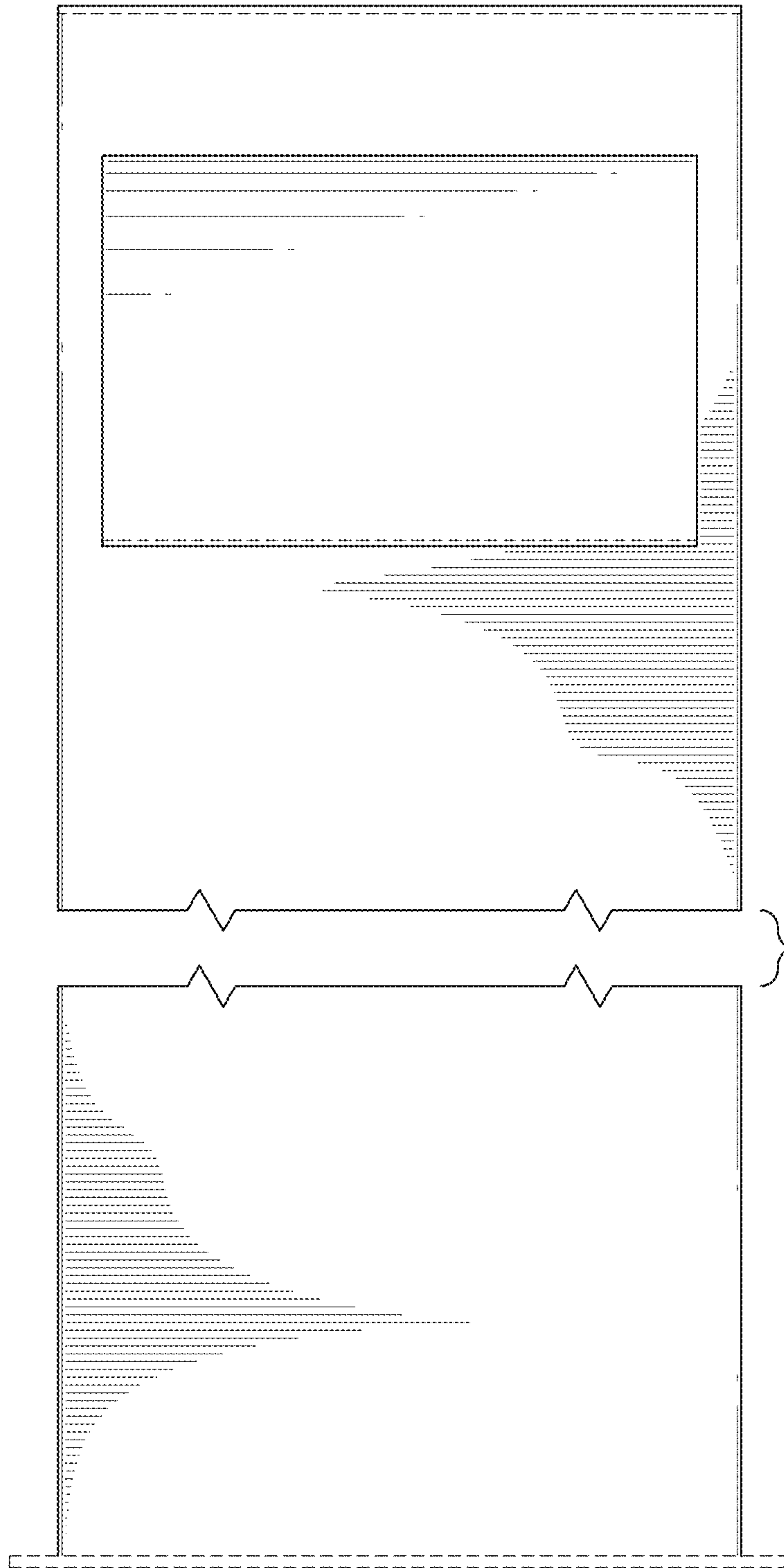


FIG. 3



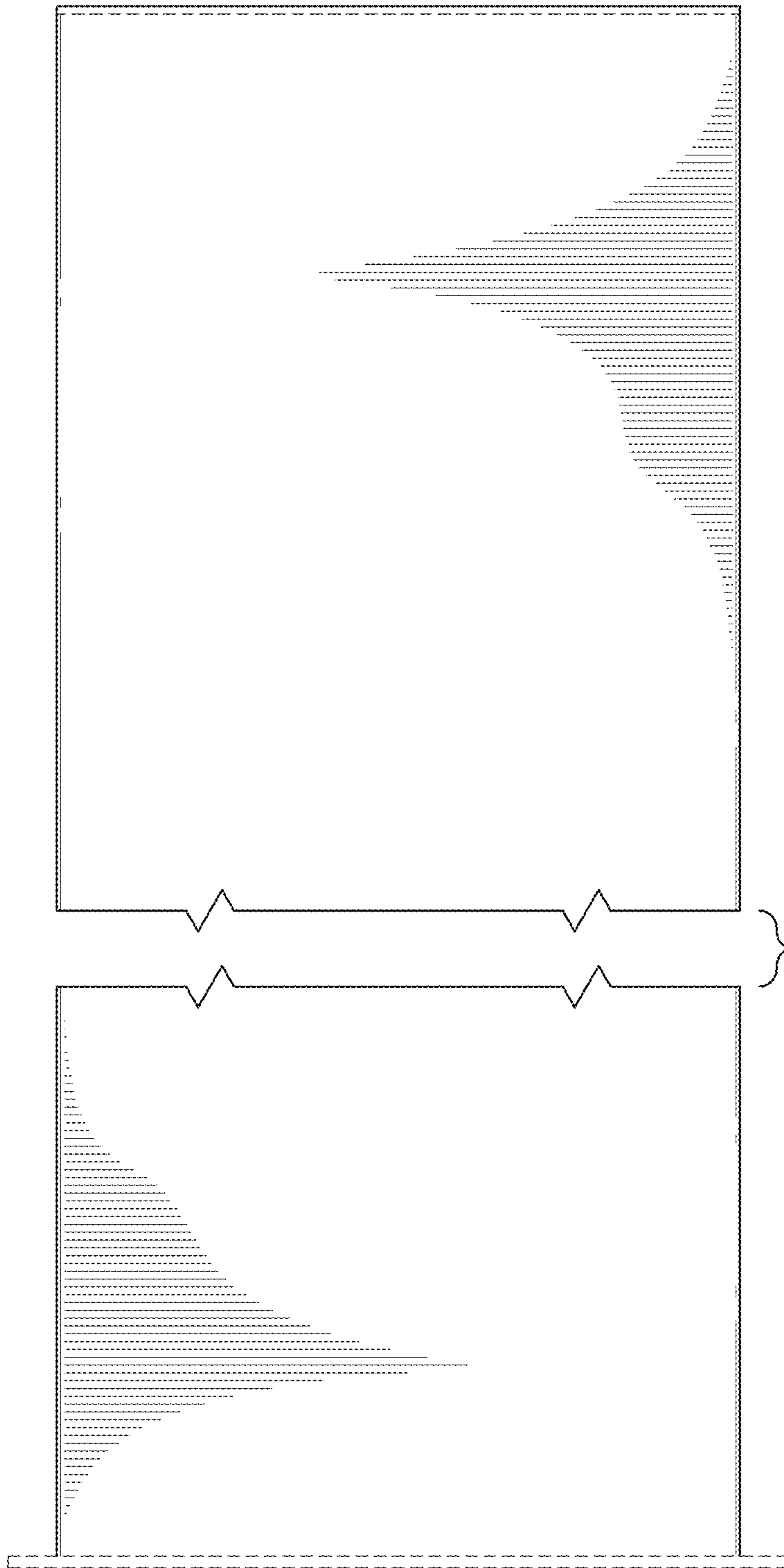


FIG. 4

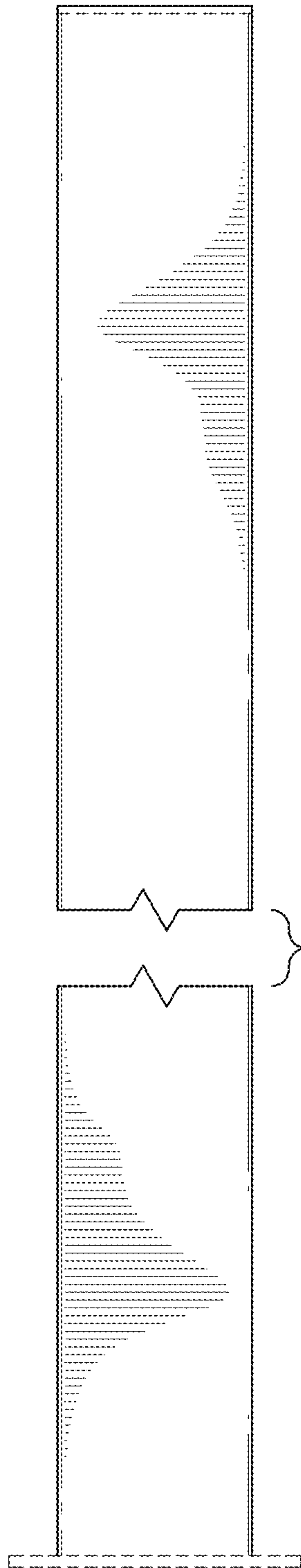


FIG. 5

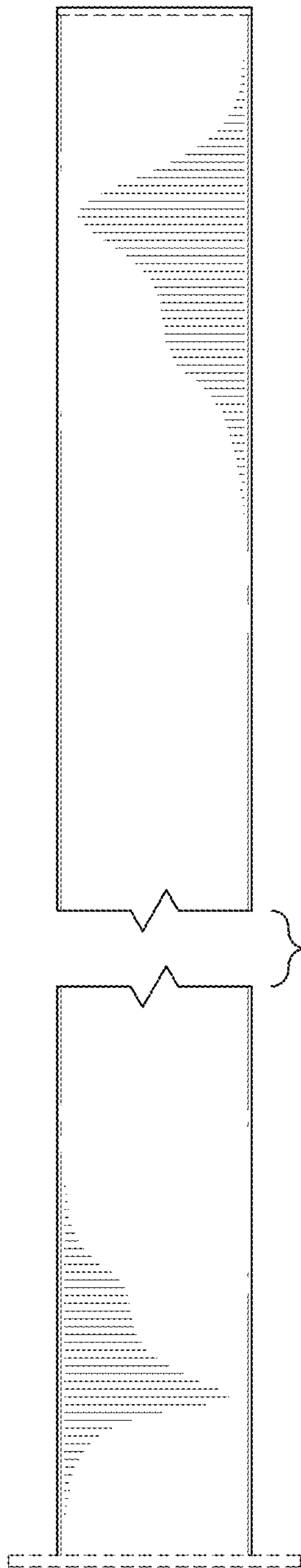


FIG. 6



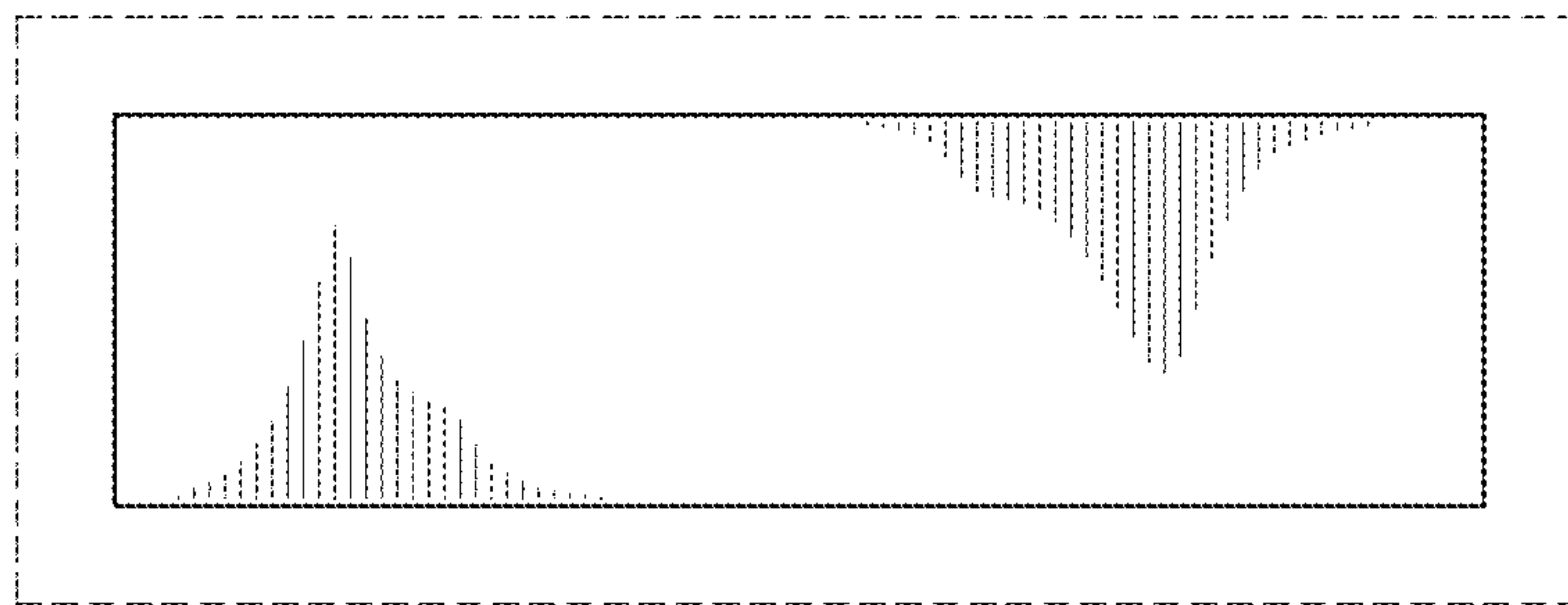


FIG. 7

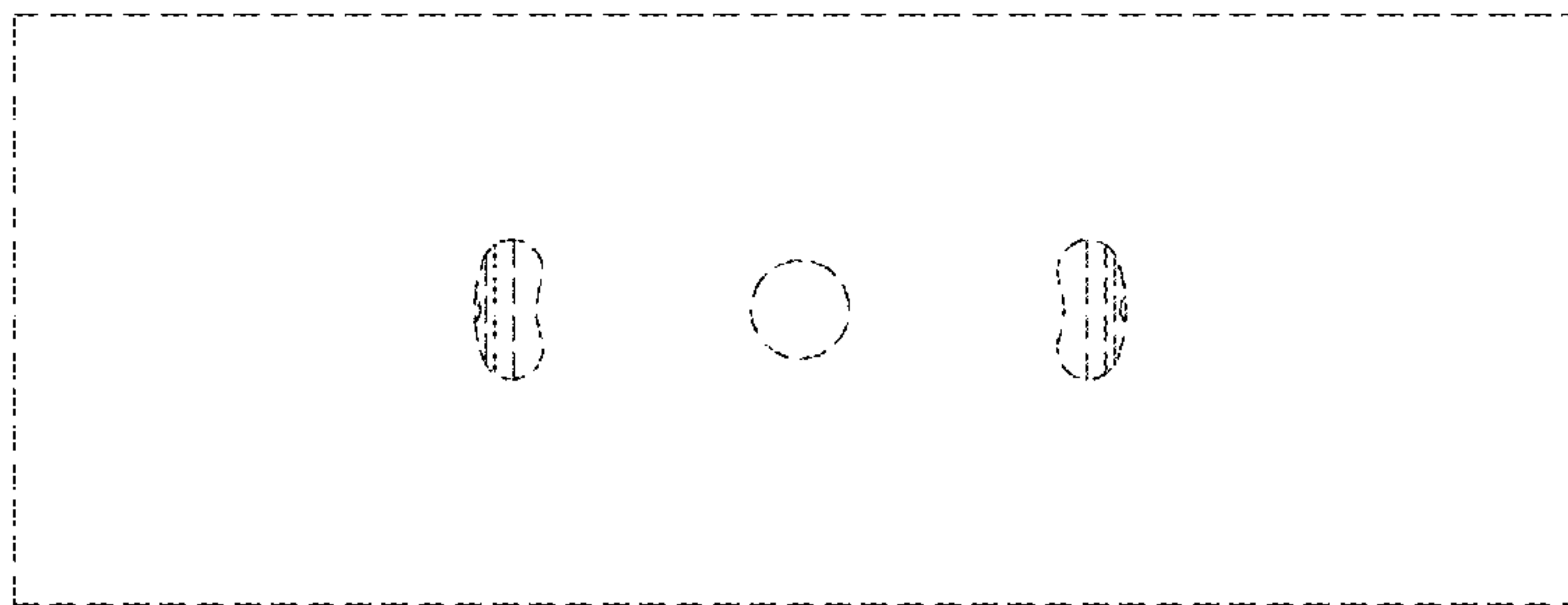


FIG. 8