



US00D824561S

(12) **United States Design Patent**  
**Waldmann**

(10) **Patent No.:** **US D824,561 S**

(45) **Date of Patent:** **\*\* \*Jul. 31, 2018**

- (54) **LAMP** 4,780,799 A \* 10/1988 Groh ..... F21V 19/0005  
362/293
- (71) Applicant: **HERBERT WALDMANN GMBH & CO. KG**, Villingen-Schwenningen (DE) D300,668 S \* 4/1989 Monfort ..... D26/63  
D315,610 S \* 3/1991 Joosten ..... D26/24  
5,072,216 A \* 12/1991 Grange ..... H02J 13/0024  
315/292
- (72) Inventor: **Gerhard Waldmann**, Stein am Rhein (CH) D323,564 S \* 1/1992 Woodgate ..... D26/63  
D352,124 S \* 11/1994 Russello ..... D26/63  
D368,787 S \* 4/1996 Yuen ..... D26/63  
D370,070 S \* 5/1996 Kay ..... D26/63  
5,548,500 A \* 8/1996 MacKay ..... F21V 21/30  
362/422
- (\*) Notice: This patent is subject to a terminal disclaimer. D379,246 S \* 5/1997 Haslam ..... D10/106.1  
D385,638 S \* 10/1997 Bonnette ..... D26/62  
5,788,518 A \* 8/1998 Wachter ..... F21V 21/30  
362/287
- (\*\*) Term: **15 Years** D408,937 S \* 4/1999 Waldmann ..... D26/63  
D446,874 S \* 8/2001 Demshki ..... D26/63  
D447,260 S \* 8/2001 Demshki ..... D26/63  
D449,397 S \* 10/2001 Demshki ..... D26/63  
D491,684 S \* 6/2004 McInnis ..... D26/63  
6,786,622 B1 \* 9/2004 Rice ..... B60Q 1/245  
362/271
- (80) **Hague Agreement Data** D509,013 S \* 8/2005 Opolka ..... D26/107

Int. Filing Date: **Jul. 23, 2015**  
 Int. Reg. No.: **DM/087324**  
 Int. Reg. Date: **Jul. 23, 2015**  
 Int. Reg. Pub. Date: **Sep. 4, 2015**

- (51) **LOC (11) Cl.** ..... **26-05**
- (52) **U.S. Cl.**  
USPC ..... **D26/63; D26/128**  
CPC ..... **F21V 21/14** (2013.01)
- (58) **Field of Classification Search**  
USPC ..... D26/60-91, 128-138, 154, 119, 121;  
362/145-150, 218-250, 372, 418-430,  
362/269-290  
CPC ..... F21V 21/14; F21V 15/01; F21V 14/02;  
F21V 21/30; F21V 21/00; F21V 14/00;  
F21S 8/00; F21S 8/003; F21S 8/043;  
F21Y 2105/001  
See application file for complete search history.

(56) **References Cited**  
 U.S. PATENT DOCUMENTS

- D172,522 S \* 6/1954 Stone ..... D26/138
- D277,511 S \* 2/1985 Patel ..... D26/63

*Primary Examiner* — Richard E Chilcot  
 (74) *Attorney, Agent, or Firm* — Muirhead and Saturnelli, LLC

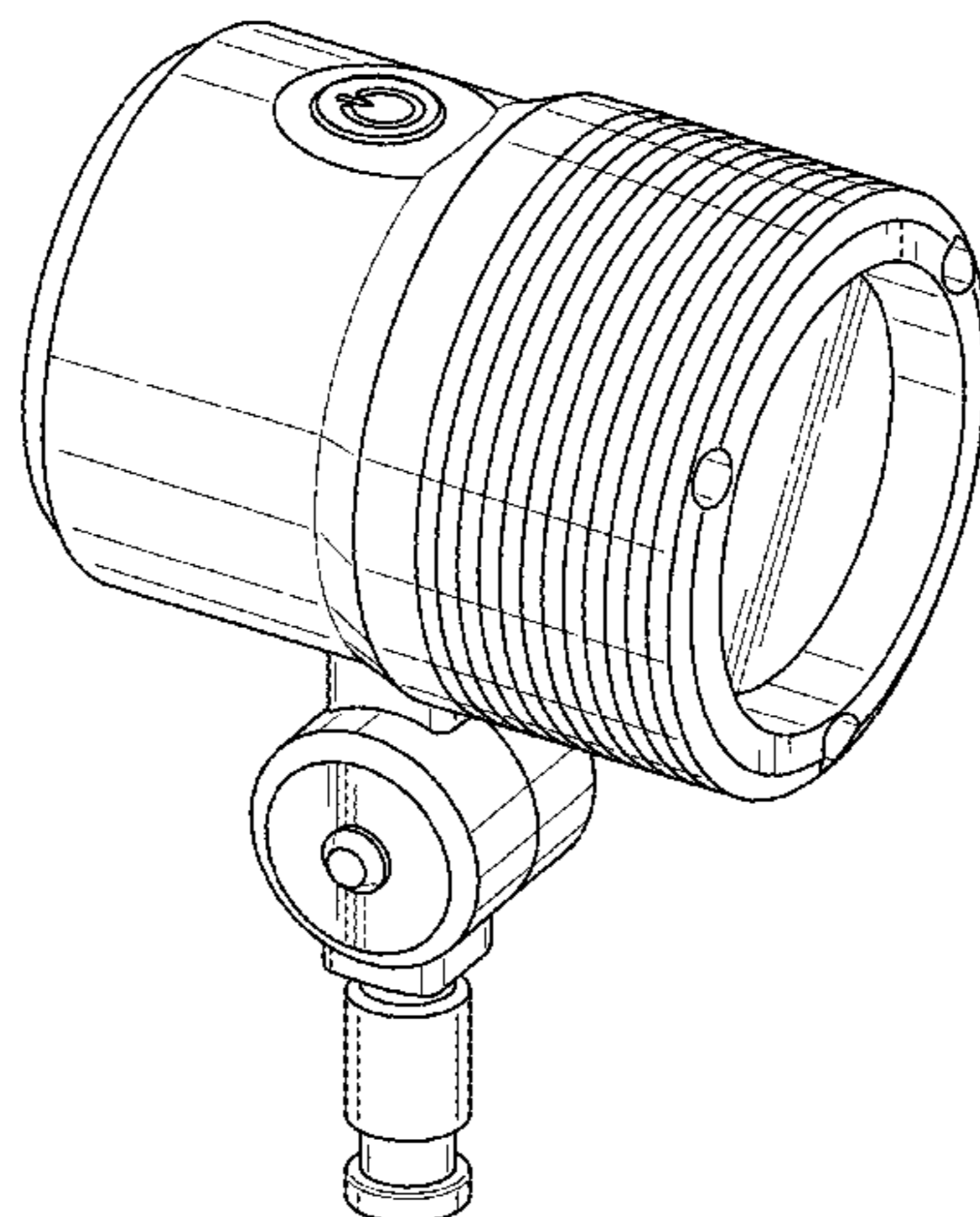
(57) **CLAIM**

The ornamental design for a lamp, as shown and described.

**DESCRIPTION**

- 1. Lamp
- 1.1: Top
- 1.2: Back
- 1.3: Bottom
- 1.4: Left
- 1.5: Right
- 1.6: Perspective
- 1.7: Front

**1 Claim, 7 Drawing Sheets**



(56)

**References Cited**

U.S. PATENT DOCUMENTS

7,137,721 B1 \* 11/2006 Rao ..... F21V 21/0824  
362/267  
D537,972 S \* 3/2007 Mier-Langner ..... D26/61  
D541,456 S \* 4/2007 Kosche ..... D26/63  
7,274,307 B2 \* 9/2007 Povey ..... G08G 1/095  
340/815.66  
D566,873 S \* 4/2008 Grundl ..... D26/63  
D574,987 S \* 8/2008 Waldmann ..... D26/63  
D578,250 S \* 10/2008 Conroy ..... D26/138  
D589,191 S \* 3/2009 Sabernig ..... D26/63  
D600,390 S \* 9/2009 Sabernig ..... D26/65  
D625,871 S \* 10/2010 Huang ..... D26/63  
D629,132 S \* 12/2010 Huang ..... D26/62  
D642,314 S \* 7/2011 Van Den Akker ..... D26/63  
D645,186 S \* 9/2011 Sabernig ..... D26/63  
D650,936 S \* 12/2011 Sabernig ..... D26/65  
D653,386 S \* 1/2012 Rose ..... D26/128  
D654,207 S \* 2/2012 Fletcher ..... D26/63  
D659,281 S \* 5/2012 Patkus ..... D26/137  
D664,287 S \* 7/2012 Cegnar ..... D26/128  
D705,981 S \* 5/2014 Cegnar ..... D26/128  
D712,590 S \* 9/2014 Lin ..... D26/138  
D715,474 S \* 10/2014 Janos ..... D26/63  
D738,025 S \* 9/2015 Messiaen ..... D26/63  
2004/0090785 A1 \* 5/2004 McInnis ..... F21S 8/04  
362/362  
2007/0153550 A1 \* 7/2007 Lehman ..... F21V 21/35  
362/648  
2008/0158894 A1 \* 7/2008 Dixon ..... F16C 11/106  
362/418

\* cited by examiner

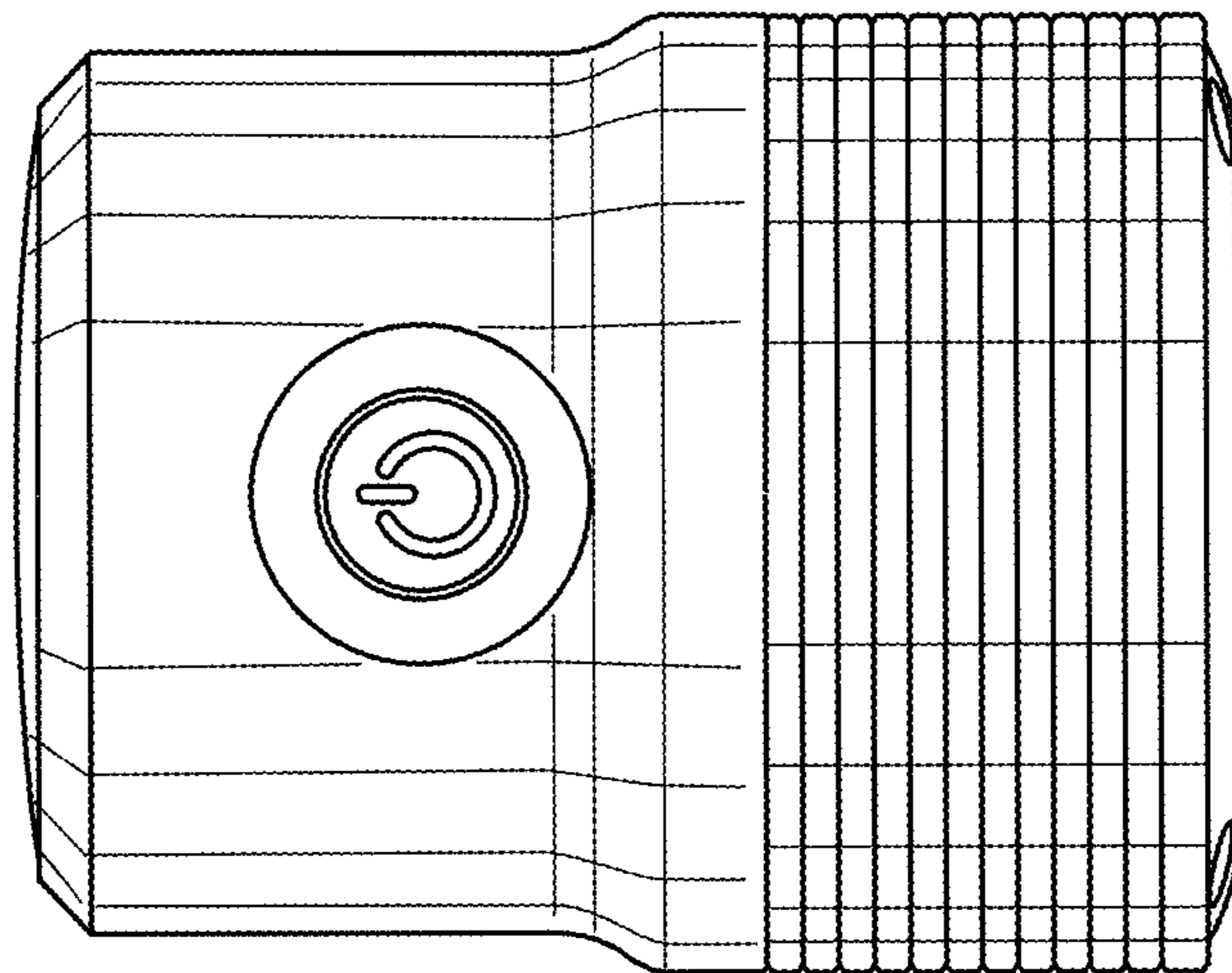


FIG. 1.1

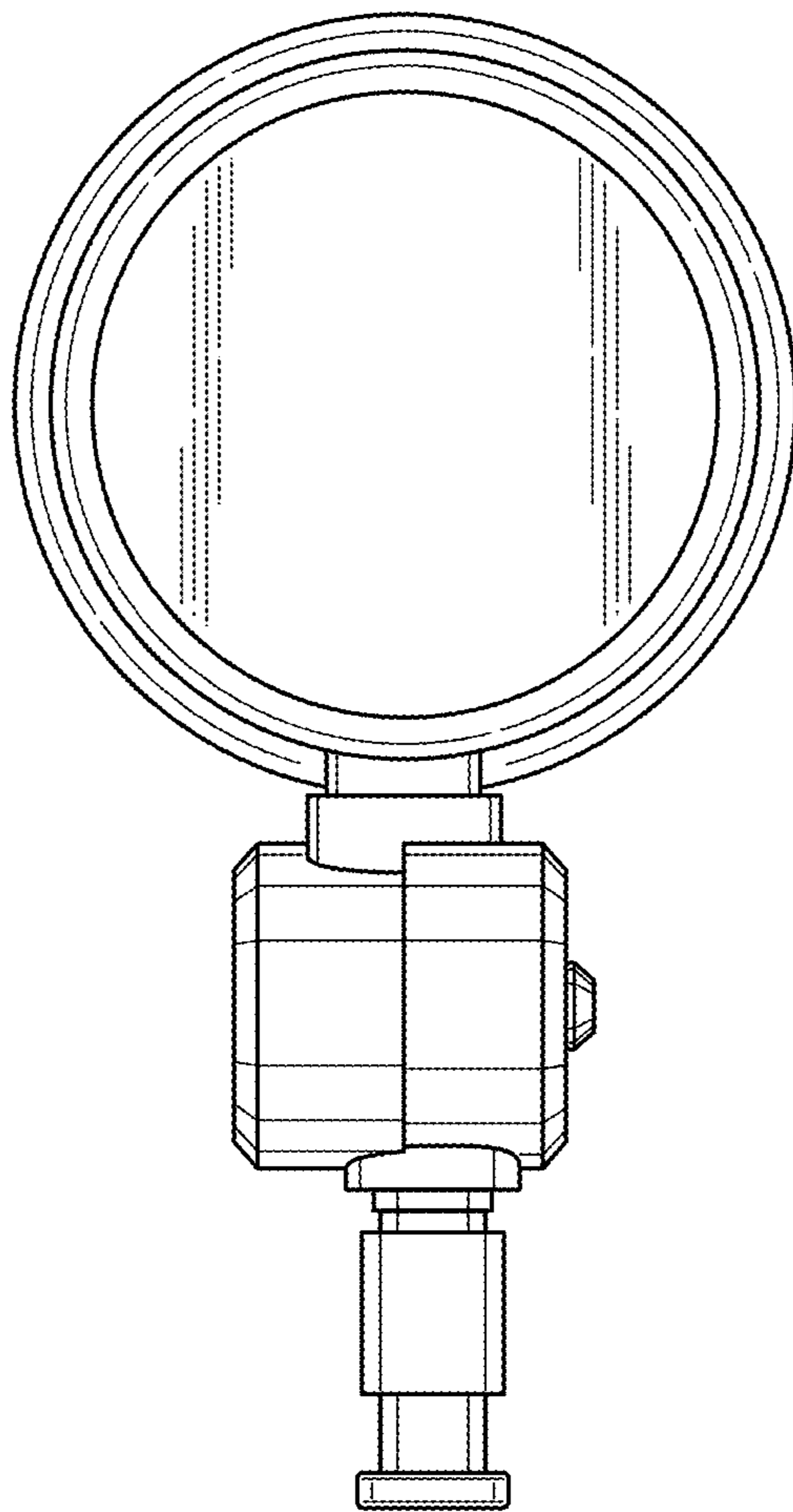


FIG. 1.2

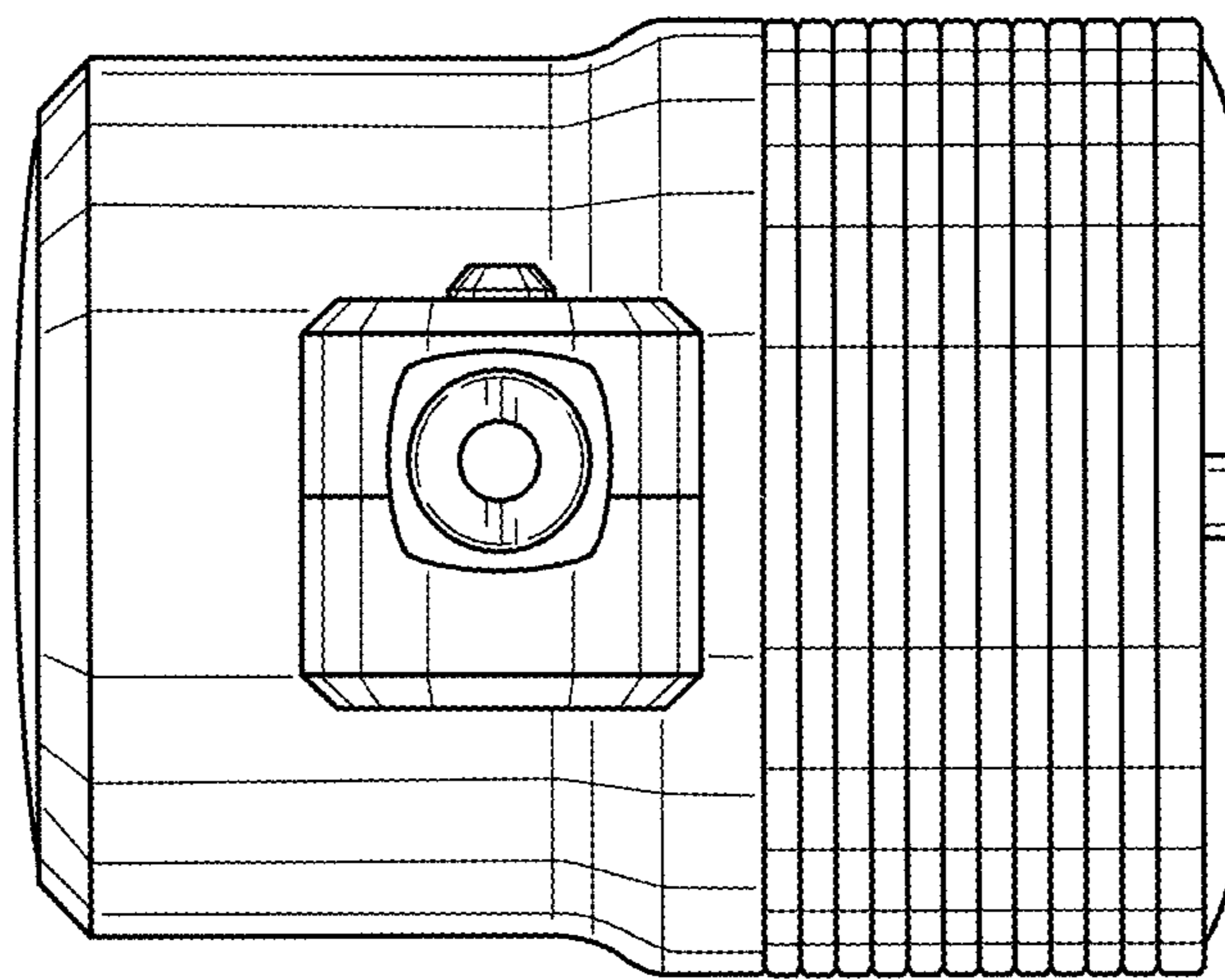


FIG. 1.3

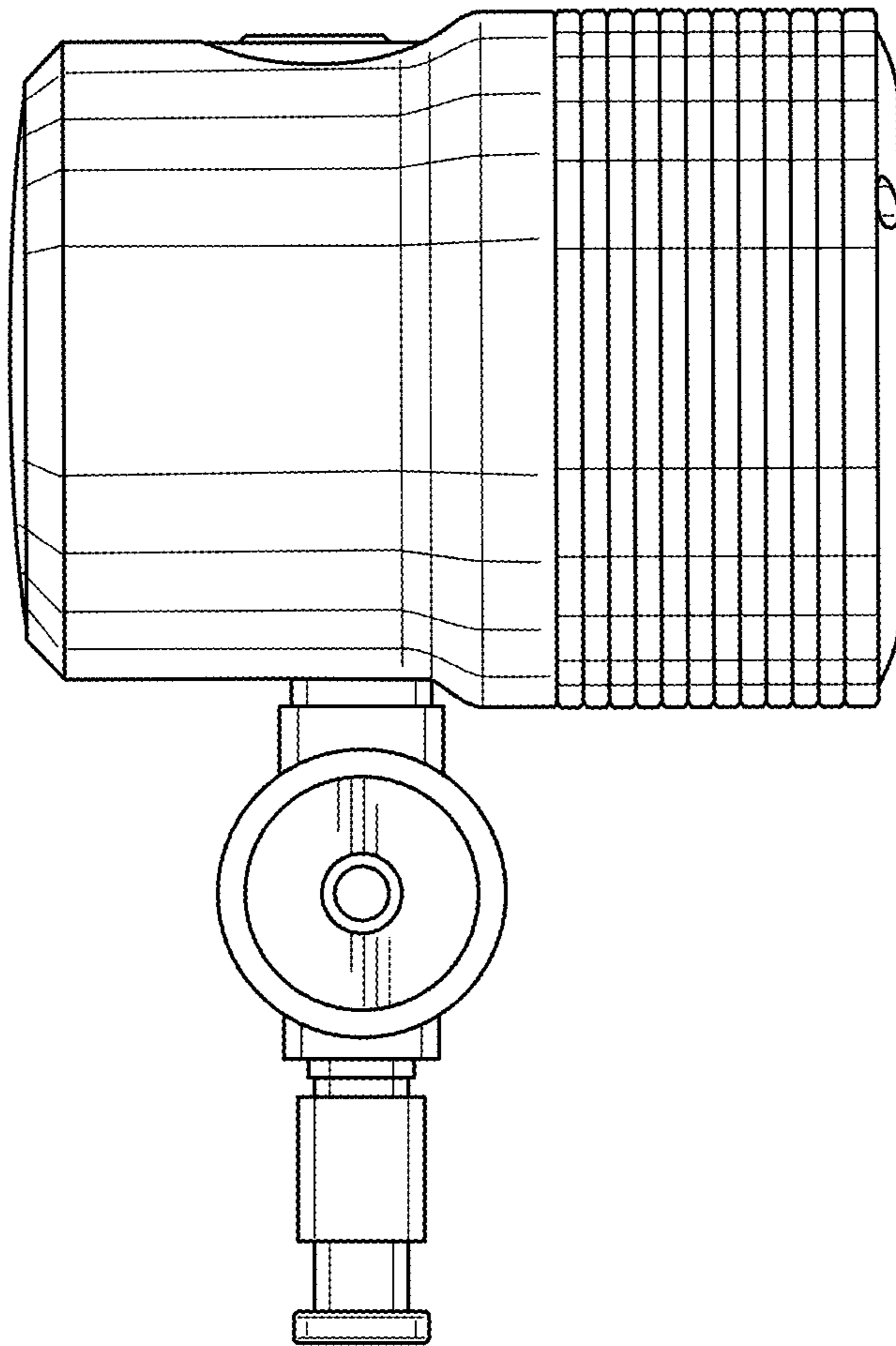


FIG. 1.4

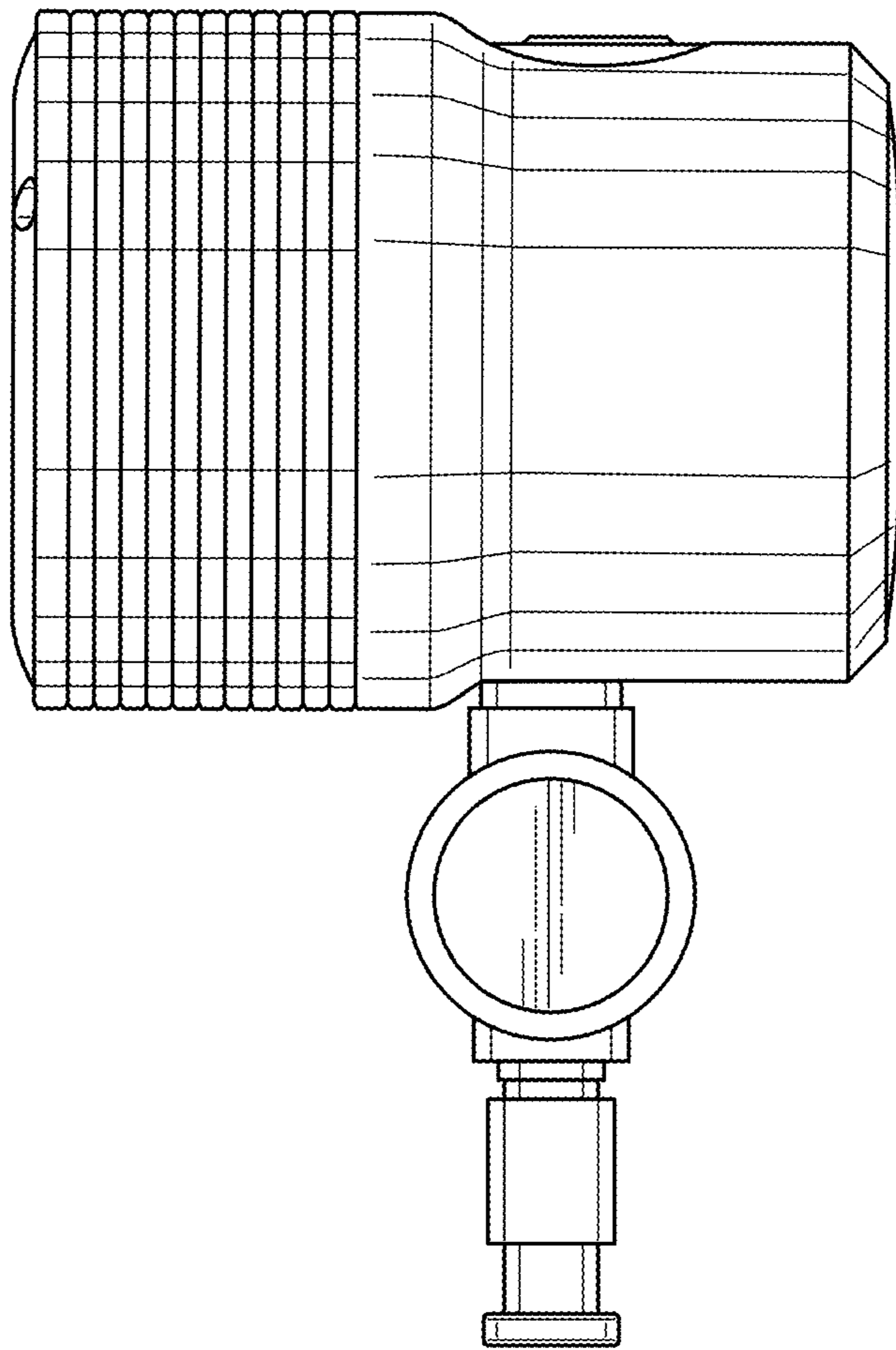


FIG. 1.5

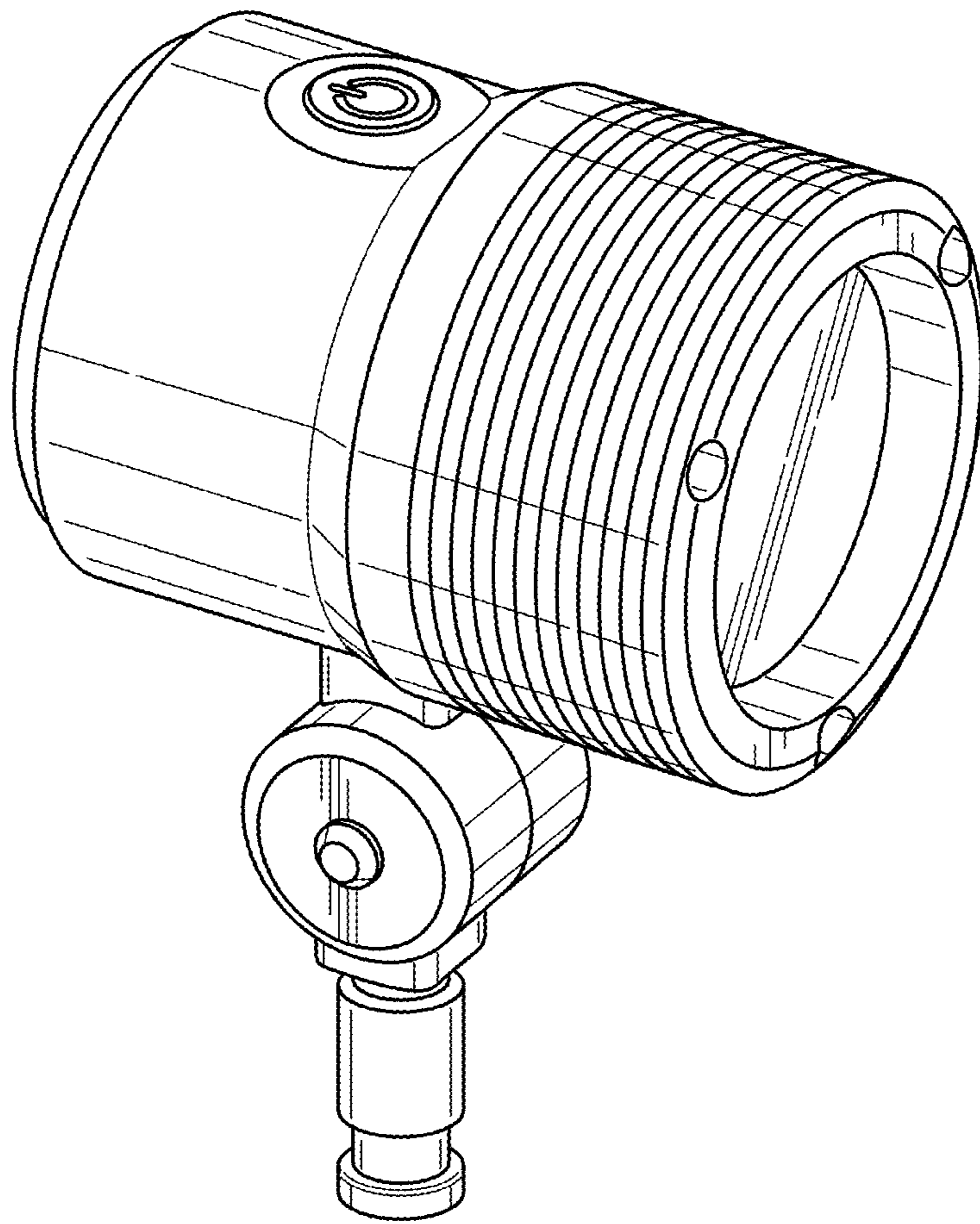


FIG. 1.6



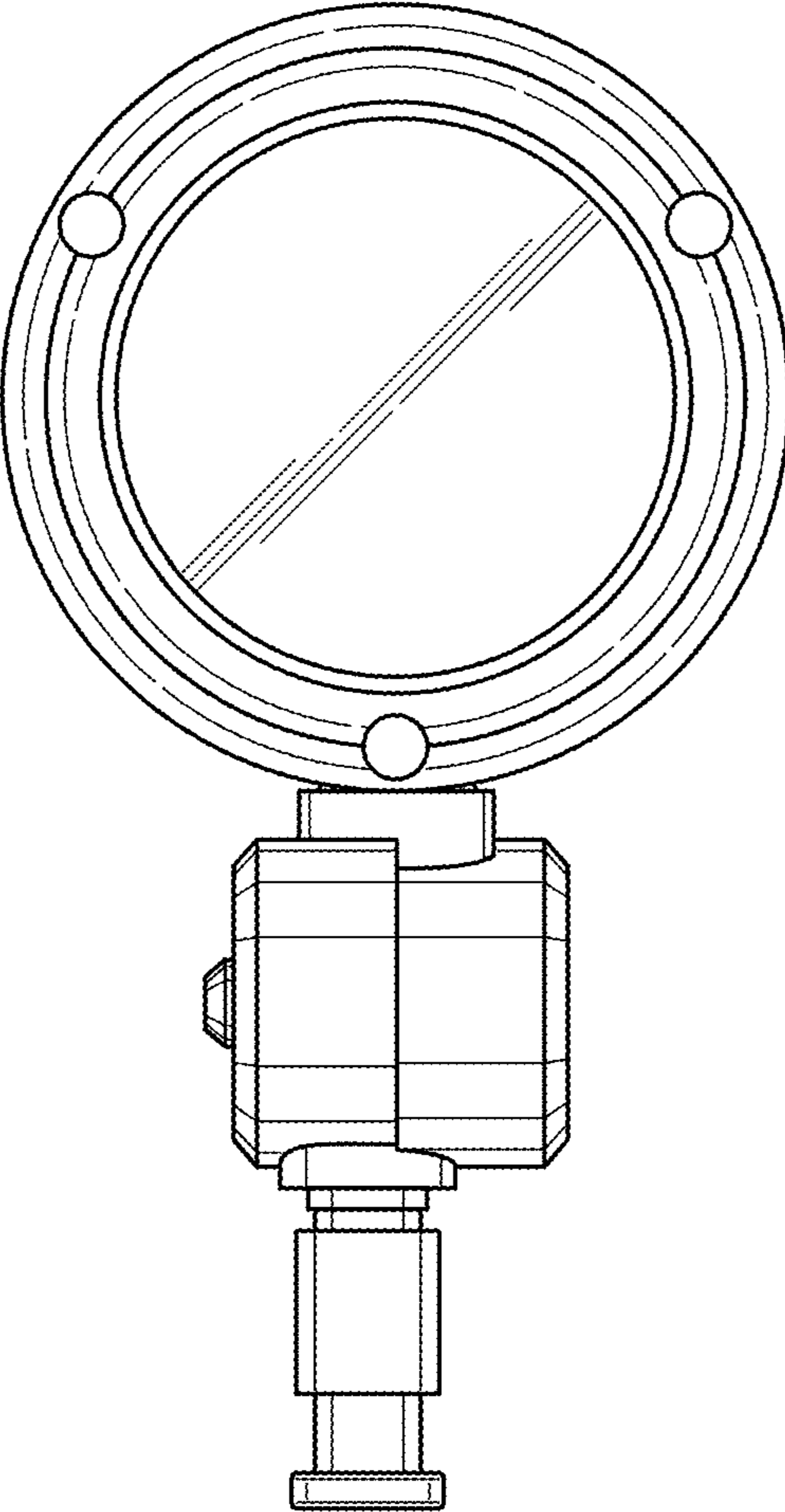


FIG. 1.7