



US00D824558S

(12) **United States Design Patent**
Guthrie

(10) **Patent No.:** **US D824,558 S**

(45) **Date of Patent:** **** Jul. 31, 2018**

(54) **COMBINATION CEILING FAN MOTOR HOUSING AND LIGHT KIT**

(71) Applicant: **HUNTER FAN COMPANY,**
Memphis, TN (US)

(72) Inventor: **Benjamin Scotti Guthrie,**
Germantown, TN (US)

(73) Assignee: **Hunter Fan Company,** Memphis, TN
(US)

(**) Term: **15 Years**

(21) Appl. No.: **29/619,330**

(22) Filed: **Sep. 28, 2017**

Related U.S. Application Data

(62) Division of application No. 29/556,776, filed on Mar. 3, 2016, now Pat. No. Des. 804,010.

(51) **LOC (11) Cl.** **26-05**

(52) **U.S. Cl.**
USPC **D26/59**; D26/89; D23/411

(58) **Field of Classification Search**
USPC D23/335-337, 355, 370-385, 411-414;
D26/59, 67, 72, 80-89, 92, 104-105, 110,
D26/113, 118-119, 128-137
CPC F04D 25/088; F21V 33/0096; F21V 21/03;
F21V 17/002; F21V 23/007; F21V 23/04;
F21V 23/0485; F21V 15/01; F21V
19/006; F21V 19/04; F21V 21/02; F21V
23/002; F21V 23/005; F21V 33/0052;
F21V 7/22

See application file for complete search history.

(56) **References Cited**

U.S. PATENT DOCUMENTS

D39,744 S * 1/1909 Jackson D25/106
D41,818 S * 10/1911 Evans D26/137

D300,469 S * 3/1989 Ewing D26/24
D325,776 S * 4/1992 Scofield D23/377
D343,244 S * 1/1994 Belisle D26/85
5,947,436 A * 9/1999 Bucher F04D 29/601
248/27.1
D421,113 S * 2/2000 Zuege D23/377
D508,934 S * 8/2005 Nagai D16/203
D525,694 S * 7/2006 Young
D575,900 S * 8/2008 Summerford D26/128
D771,794 S * 11/2016 Wang D23/411
D785,848 S * 5/2017 Couture D26/89
D795,411 S * 8/2017 Wang D23/377
D799,660 S * 10/2017 Jones D23/377

(Continued)

OTHER PUBLICATIONS

<http://www.menards.com/main/p-1444424537879-c-7487.htm?tid=3675202324194494198>, Item Specification for The Turn of the Century Montego Bay 52" Weathered Copper Wet Rated Ceiling Fan, Model # CP152115, accessed Mar. 2, 2016.

(Continued)

Primary Examiner — Cathron C Brooks

Assistant Examiner — Sharon S Oum

(74) *Attorney, Agent, or Firm* — McGarry Bair PC

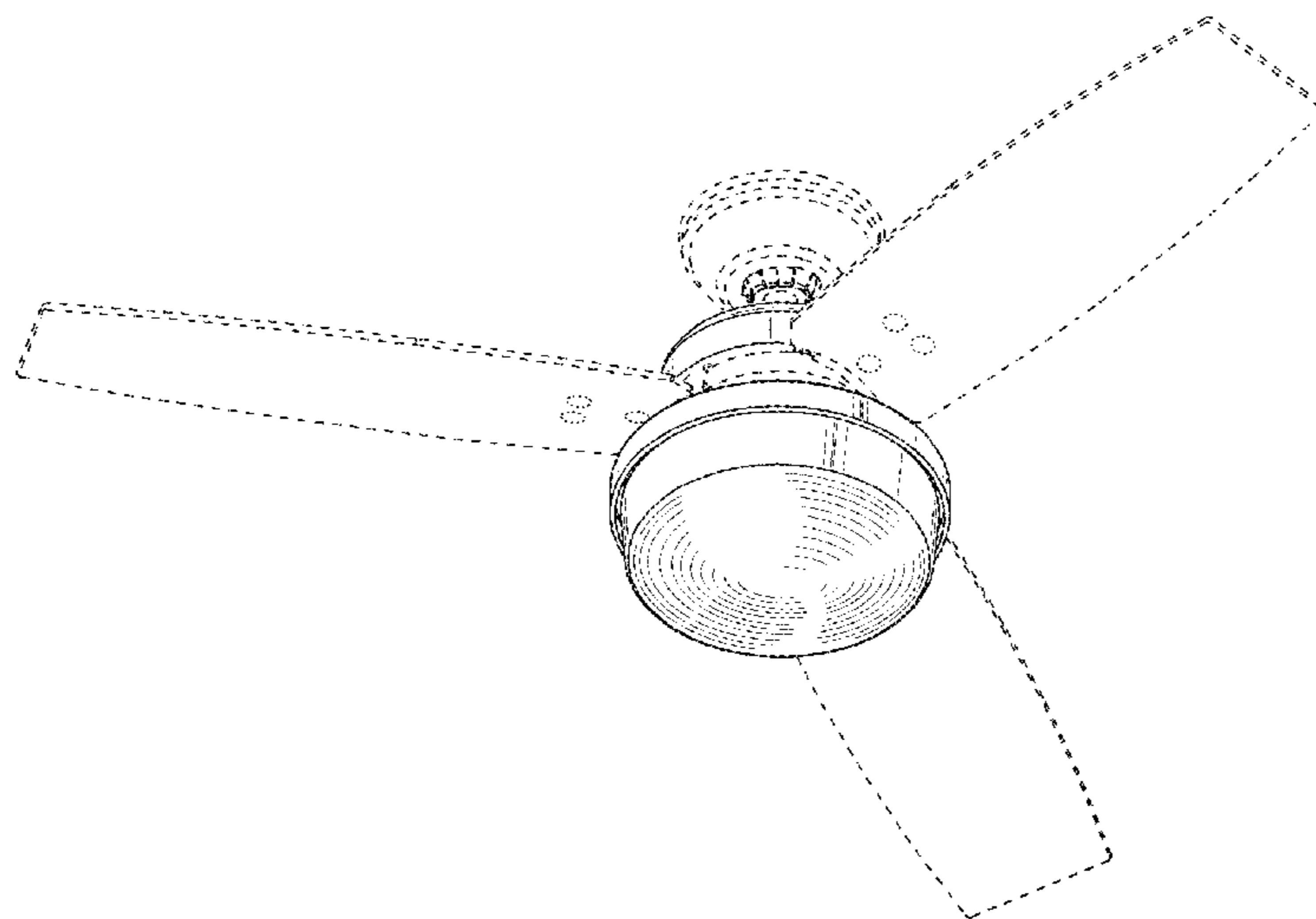
(57) **CLAIM**

The ornamental design for a combination ceiling fan motor housing and light kit, as shown and described.

DESCRIPTION

FIG. 1 is a top perspective view of a combination ceiling fan motor housing and light kit showing my new design, and shown in the environment of a ceiling fan;
FIG. 2 is a bottom perspective view thereof;
FIG. 3 is a top view thereof;
FIG. 4 is a bottom view thereof; and,
FIG. 5 is a side view thereof.
The broken lines illustrate environmental structure and form no part of the claimed design.

1 Claim, 5 Drawing Sheets



(56)

References Cited

U.S. PATENT DOCUMENTS

| | | | | | |
|------------|---|---------|-----------|-------|---------|
| D799,682 S | * | 10/2017 | Wang | | D23/411 |
| D800,290 S | * | 10/2017 | Searle | | D23/377 |
| D804,010 S | * | 11/2017 | Guthrie | | D23/377 |
| D804,629 S | * | 12/2017 | McRoberts | | D23/377 |
| D804,630 S | * | 12/2017 | Holmes | | D23/377 |
| D804,639 S | * | 12/2017 | Guthrie | | D23/377 |

OTHER PUBLICATIONS

<http://www.quoruminternational.com/index.cfm/app/productDetail?product=82524-86>, Item Specification for The Quorum International Model # 82524-86, Oiled Bronze Ceiling Fan (1) 75W Oiled Bronze blades, accessed Mar. 2, 2016.
http://www.lowes.com/pd_459540-79-59039_0_?k_clickID=1b862be8-cceb-4c5b-9fdb-fabda0a026c7&store_code=1517&productId=50057405&selectedLocalStoreBeanArray=%5Bcom.lowes.commerce.storelocator.beans LocatorStoreBean%4016bc16bc%5D

http://www.lowes.com/pd_459540-79-59039_0_?k_clickID=1b862be8-cceb-4c5b-9fdb-fabda0a026c7&store_code=1517&productId=50057405&selectedLocalStoreBeanArray=%5Bcom.lowes.commerce.storelocator.beans LocatorStoreBean%4016bc16bc%5D
<http://www.kingoffans.com/#/products/ceilingFans>, Item Specification for the Hunter Windemere 54-in Brushed Nickel Downrod Mount Ceiling Fan with Light Kit and Remote, accessed Mar. 2, 2016.
<http://www.kingoffans.com/#/products/ceilingFans>, Item Specification for the King of Fans Cabrerra, Model #61375, accessed Mar. 2, 2016.
<http://ceilingfans.emerson.com/shop/en/fan/fans-s-emerson-fans/fans-s-contemporary/highpointe-fan-p-cf205>, Item specification for the Emerson Highpointe, Model # CF205GES, accessed Mar. 2, 2016.
<http://www.kichler.com/products/product/52-inch-leeds-fan-obb-300427obb.aspx>, Item Specification for the Kichler Leeds Colection 52 Inch Leeds Fan OBB, accessed Mar. 2, 2016.
<http://ceilingfans.emerson.com/shop/en/fan/fans-s-emerson-fans/fans-s-transitional/portland-eco-fan-p-cf965>, Item Specification for the Emerson Portland Eco Model # CF965BS, accessed Mar. 2, 2016.

* cited by examiner

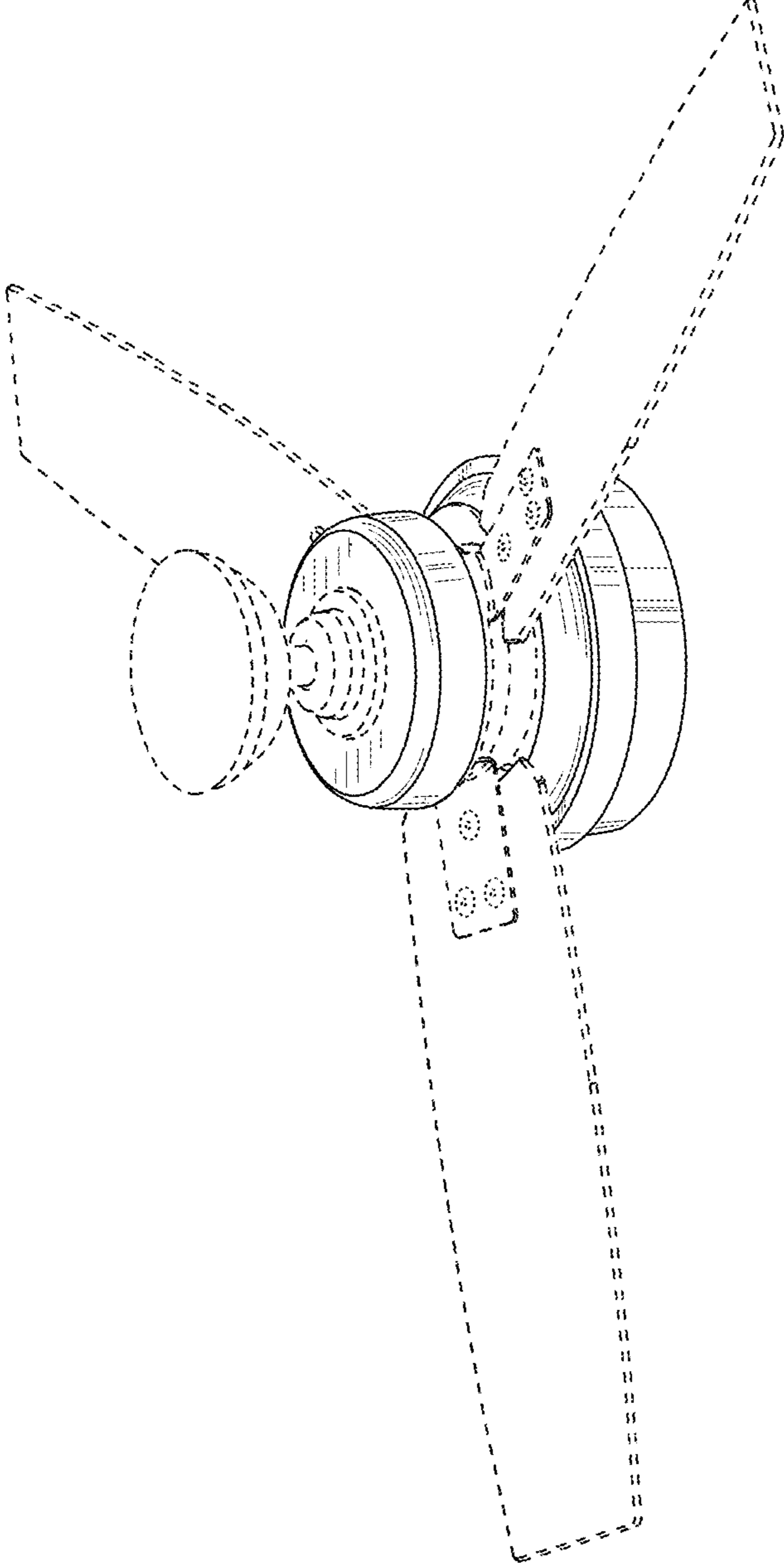


FIG. 1

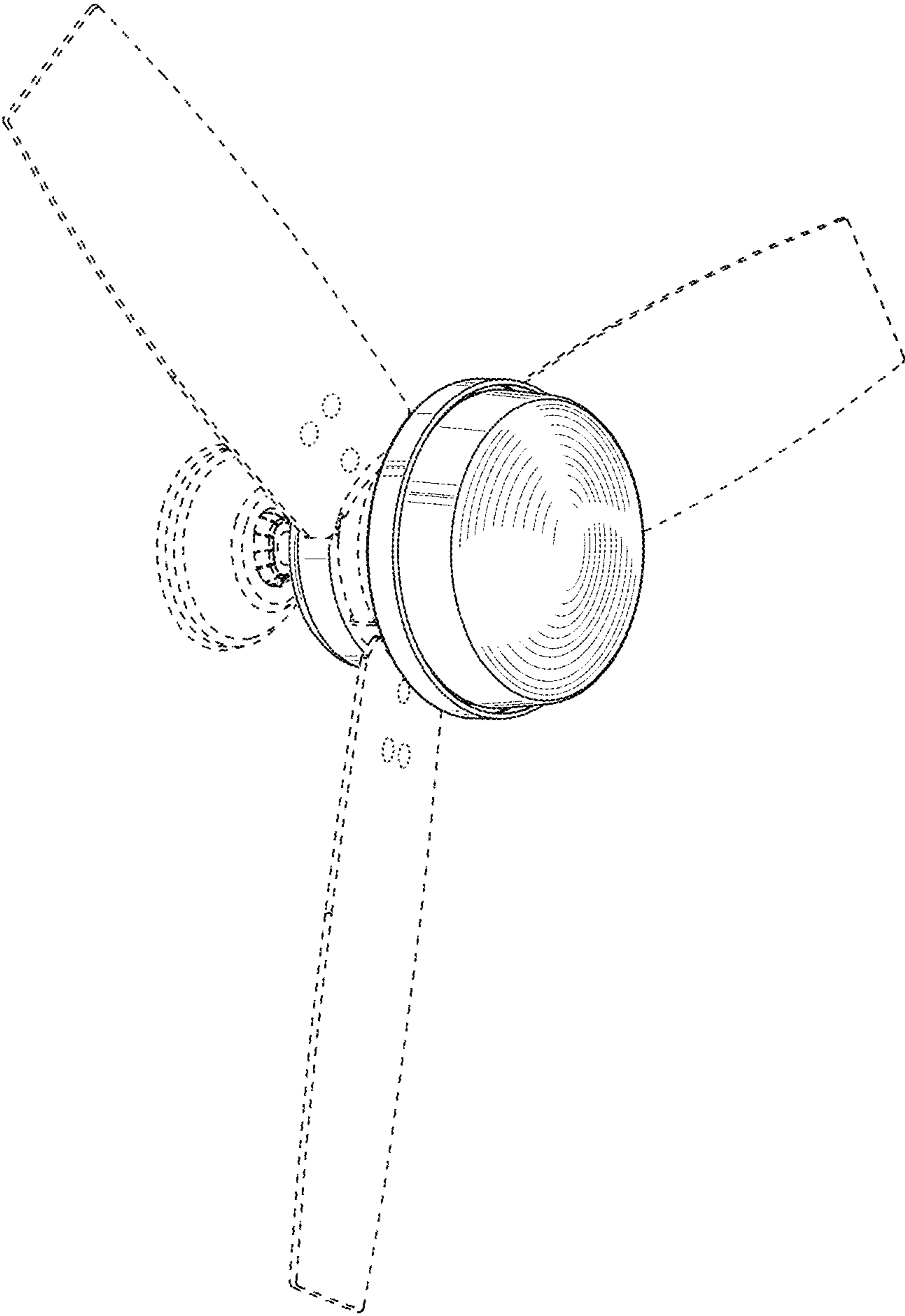


FIG. 2

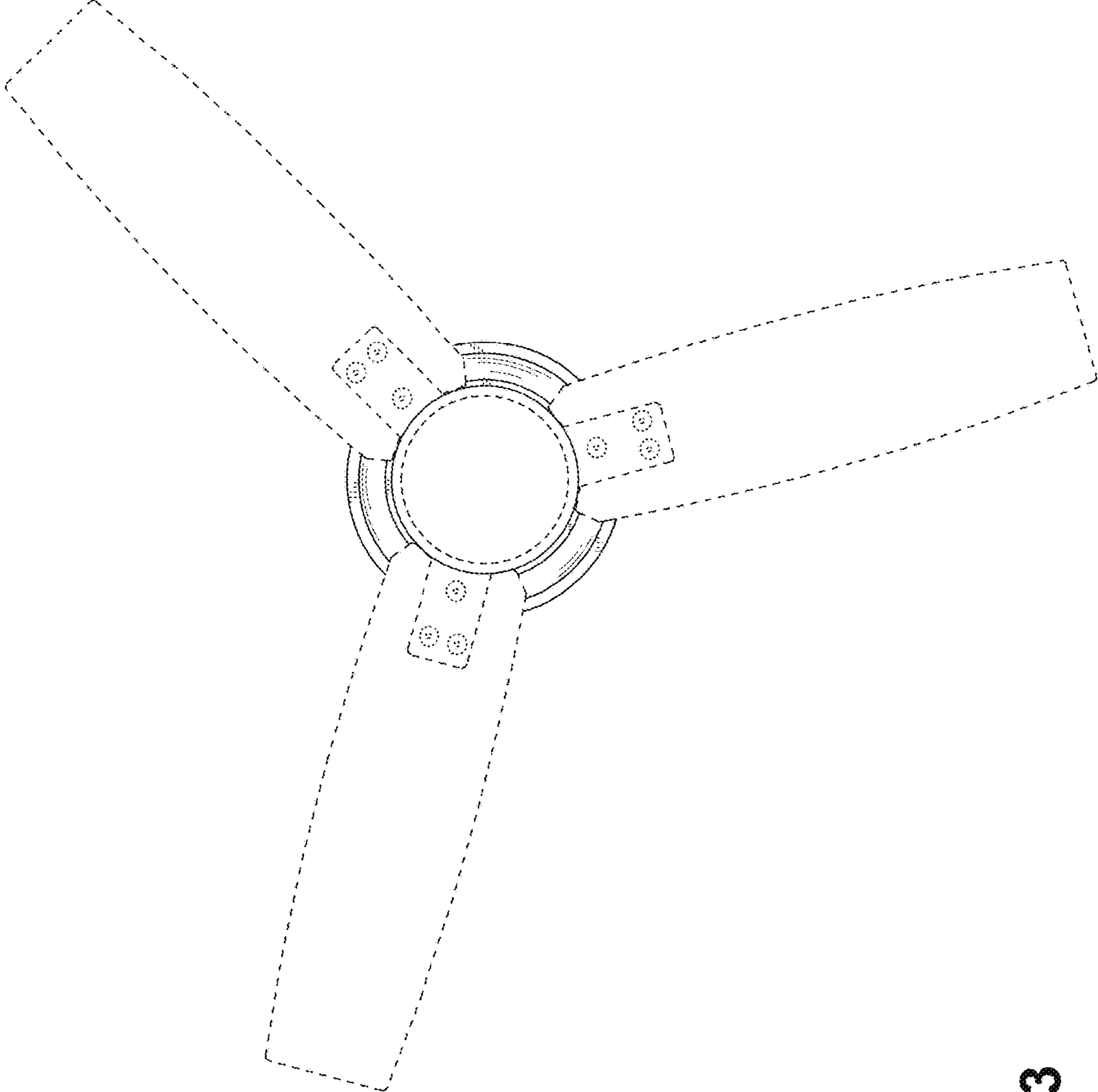


FIG. 3

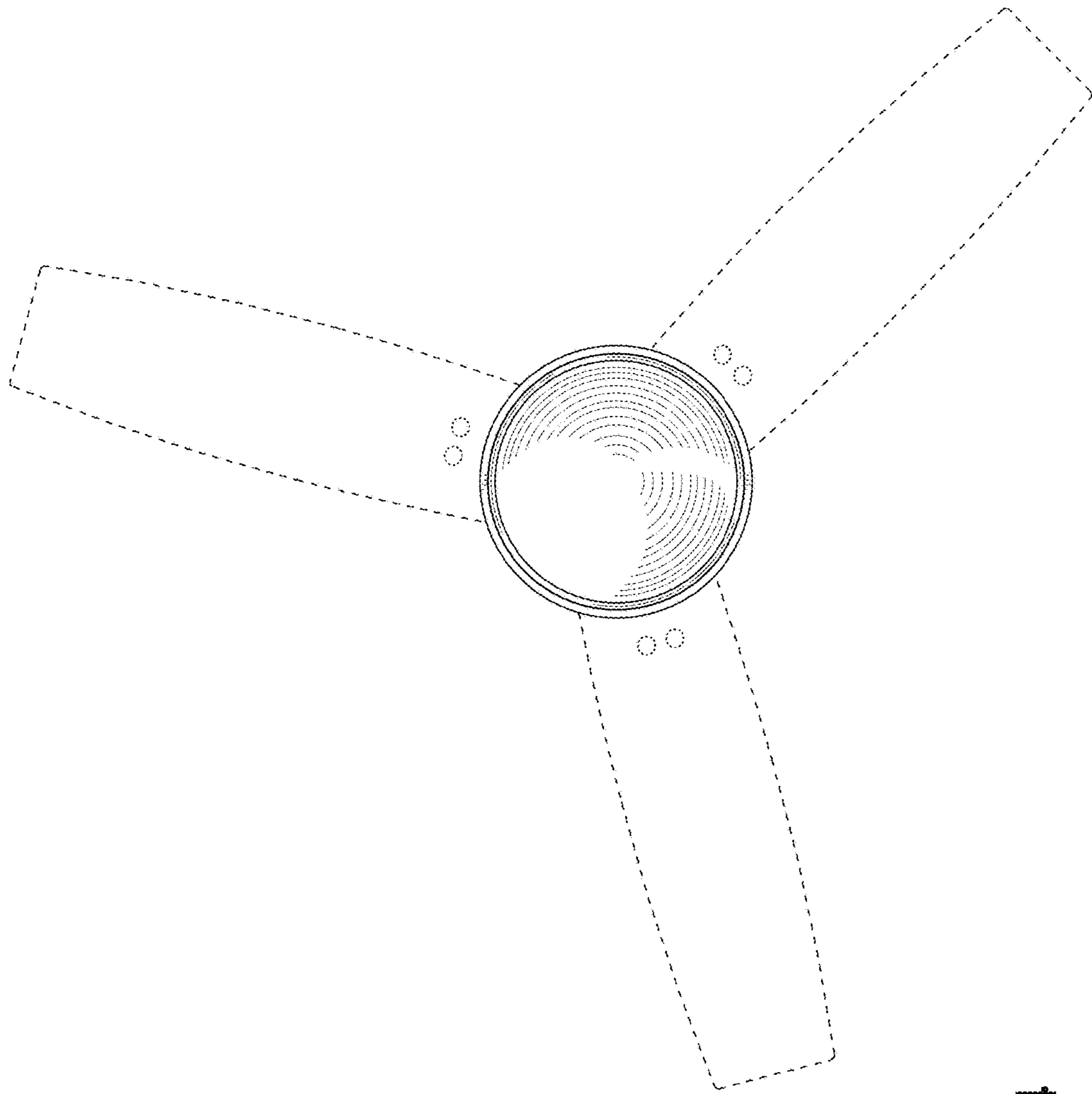


FIG. 4

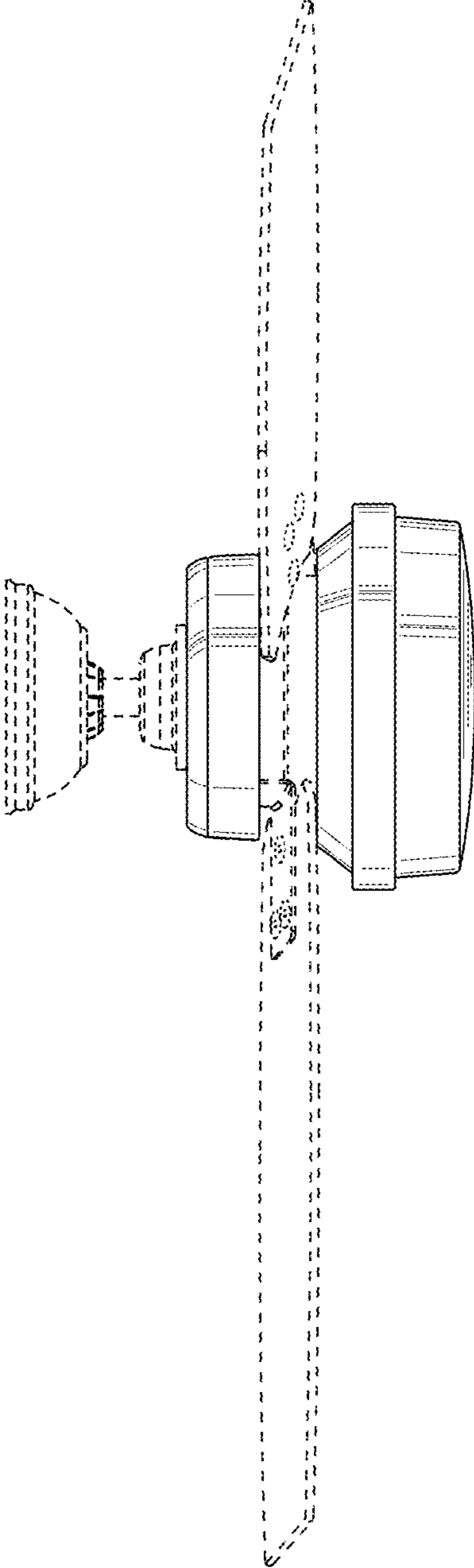


FIG. 5