



US00D824557S

(12) **United States Design Patent**
Waters

(10) **Patent No.:** **US D824,557 S**
(45) **Date of Patent:** **** Jul. 31, 2018**

(54) **FLASHLIGHT**

(71) Applicant: **Michael Waters**, Aspen, CO (US)

(72) Inventor: **Michael Waters**, Aspen, CO (US)

(**) Term: **14 Years**

(21) Appl. No.: **29/510,710**

(22) Filed: **Dec. 2, 2014**

(51) **LOC (11) Cl.** **26-02**

(52) **U.S. Cl.**
USPC **D26/46**

(58) **Field of Classification Search**

USPC D26/37, 38, 46, 49, 39, 51, 44, 45;
362/183, 184, 194-196, 200-208, 253
CPC F21L 2003/00; F21L 4/00; F21L 4/005;
F21L 4/02; F21L 4/025; F21L 4/027;
F21L 4/04; F21L 4/08; F21L 2005/00;
F21L 7/00; F21L 11/00; F21L 13/00;
F21L 13/04; F21L 13/08; F21L 14/02;
F21L 17/00; F21L 19/00

See application file for complete search history.

(56) **References Cited**

U.S. PATENT DOCUMENTS

1,261,824 A 1/1918 La Vine
1,255,265 A 2/1918 Zachara
1,438,586 A 12/1922 Eaton
1,448,353 A 3/1923 Barany

(Continued)

FOREIGN PATENT DOCUMENTS

CA 2466175 A1 5/2003
CA 2608746 A1 11/2006

(Continued)

OTHER PUBLICATIONS

Notification of Transmittal of the International Search Report and the Written Opinion of the International Searching Authority, or the

Declaration from the International Bureau of WIPO for International Application No. PCT/US2015/063536 dated Mar. 29, 2016, 12 pages.

Primary Examiner — Lakiya Rogers

Assistant Examiner — Carissa C Fitts

(74) *Attorney, Agent, or Firm* — Fitch, Even, Tabin & Flannery LLP

(57) **CLAIM**

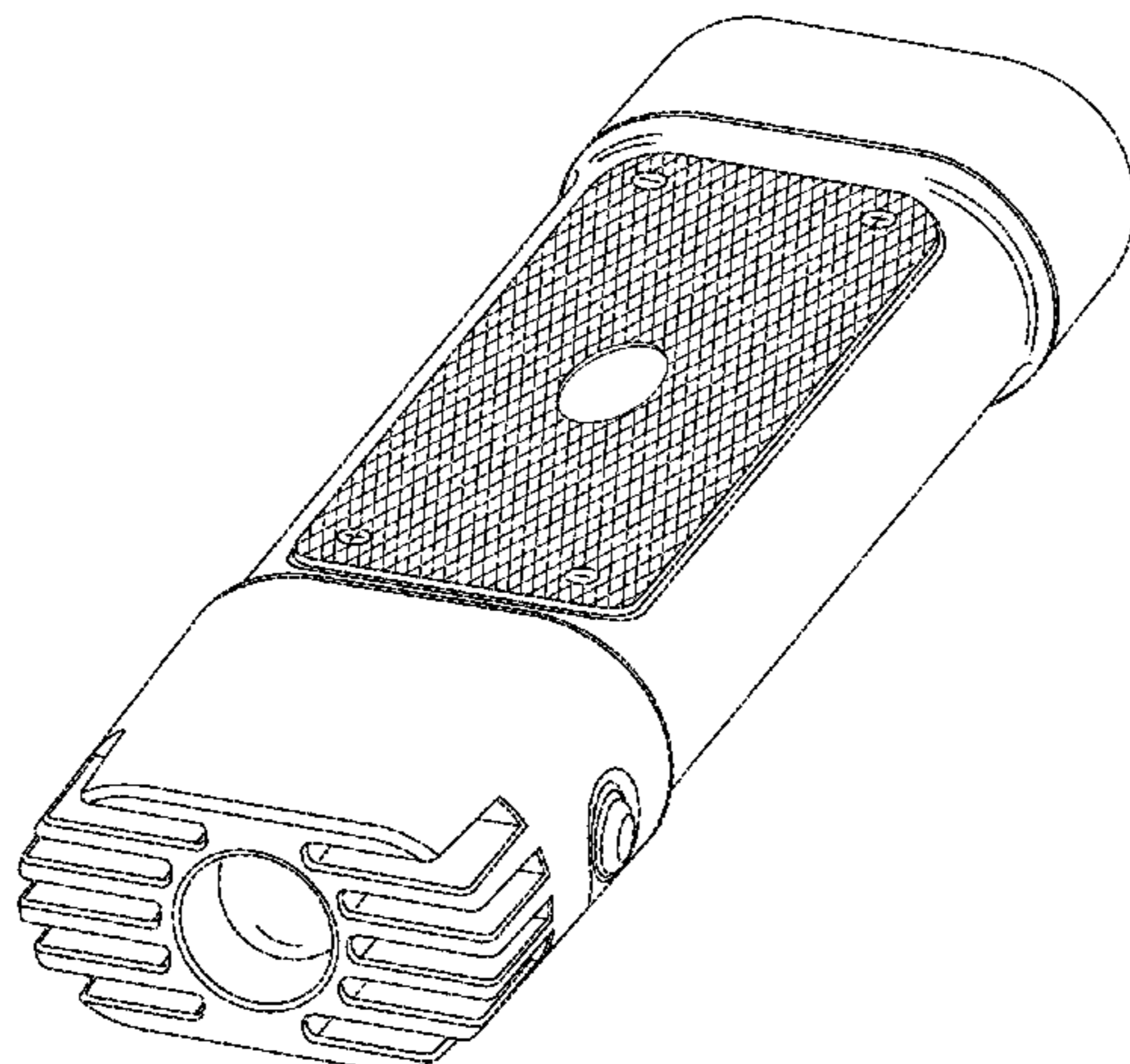
I claim the ornamental design for a flashlight, as shown and described.

DESCRIPTION

FIG. 1 is a perspective view of a first embodiment of a flashlight, according to my design;
FIG. 2 is a bottom plan view thereof;
FIG. 3 is a top plan view thereof;
FIG. 4 is a left side elevational view thereof;
FIG. 5 is a right side elevational view thereof;
FIG. 6 is a front elevational view thereof;
FIG. 7 is a rear elevational view thereof;
FIG. 8 is a perspective view of a second embodiment of the flashlight, according to my new design;
FIG. 9 is a bottom plan view thereof;
FIG. 10 is a top plan view thereof;
FIG. 11 is a left side elevational view thereof;
FIG. 12 is a right side elevational view thereof;
FIG. 13 is a front elevational view thereof;
FIG. 14 is a rear elevational view thereof;
FIG. 15 is a perspective view of a third embodiment of the flashlight, according to my new design;
FIG. 16 is a bottom plan view thereof;
FIG. 17 is a top plan view thereof;
FIG. 18 is a left side elevational view thereof;
FIG. 19 is a right side elevational view thereof;
FIG. 20 is a front elevational view thereof; and
FIG. 21 is a rear elevational view thereof.

The broken lines show unclaimed portions of the article and form no part of the claimed design.

1 Claim, 12 Drawing Sheets



(56)

References Cited

U.S. PATENT DOCUMENTS

1,572,210 A	2/1926	Kolibas	5,546,099 A	8/1996	Quint et al.
1,615,067 A	1/1927	Boerman	D375,372 S	11/1996	Allen
1,879,512 A	9/1932	Rotea	5,575,554 A	11/1996	Guritz
2,196,543 A	4/1940	Anderson	5,606,743 A	2/1997	Vogt et al.
2,461,254 A	2/1949	Bassett	5,608,808 A	3/1997	da Silva
2,531,585 A	11/1950	Pope	5,610,678 A	3/1997	Tsuboi et al.
2,567,046 A	9/1951	Anderson	D383,754 S	9/1997	Yuen
2,591,112 A	4/1952	Zwierzynski	D383,863 S	9/1997	Yuen
2,638,532 A	5/1953	Brady	5,667,291 A	9/1997	Caplan
2,904,670 A	9/1959	Calmes	5,667,292 A	9/1997	Sabalvaro, Jr.
2,966,580 A	12/1960	Taylor	D388,113 S	12/1997	Feinbloom
2,966,872 A	1/1961	Schmocker	5,708,449 A	1/1998	Heacock
3,060,308 A	10/1962	Fortuna	5,722,762 A	3/1998	Soll
D207,919 S	6/1967	Fai	5,741,060 A	4/1998	Johnson
3,350,552 A	10/1967	Lawrence	5,786,665 A	7/1998	Ohtsuki et al.
D215,751 S	10/1969	Castellano	5,803,582 A	9/1998	Huang
3,602,759 A	8/1971	Evans	5,806,961 A	9/1998	Dalton et al.
3,634,676 A	1/1972	Castellano	5,836,673 A	11/1998	Lo
3,647,059 A	3/1972	Humphreys	D405,901 S	2/1999	Feinbloom
3,683,168 A	8/1972	Tatje	5,871,271 A	2/1999	Chien
3,769,663 A	11/1973	Perl	5,893,631 A	4/1999	Padden
D229,975 S	1/1974	Klugmann	5,918,966 A	7/1999	Arnold
3,793,517 A	2/1974	Carlini	5,946,071 A	8/1999	Feldman
4,210,952 A	7/1980	Ressmeyer	D417,019 S *	11/1999	Rachwal D26/37
4,254,451 A	3/1981	Cochran, Jr.	5,997,165 A	12/1999	Lehrer
4,283,127 A	8/1981	Rosenwinkel et al.	6,005,536 A	12/1999	Beadles et al.
4,332,007 A	5/1982	Gibstein et al.	6,012,822 A	1/2000	Robinson
4,406,040 A	9/1983	Cannone	6,012,827 A	1/2000	Caplan et al.
D274,845 S *	7/1984	Stansbury, Jr. D26/46	D420,035 S	2/2000	Hartman
4,462,064 A	7/1984	Schweitzer	D425,228 S	5/2000	Kibler
4,516,157 A	5/1985	Campbell	6,056,413 A	5/2000	Urso
4,541,698 A	9/1985	Lerner	D428,431 S	7/2000	Jordan
4,570,206 A	2/1986	Deutsch	6,086,214 A	7/2000	Ridge
4,616,297 A	10/1986	Liu	6,168,286 B1	1/2001	Duffy
4,631,644 A	12/1986	Dannhauer	6,172,657 B1	1/2001	Kamakura et al.
4,648,013 A	3/1987	Curiel	6,174,075 B1	1/2001	Fuwausa
4,680,682 A	7/1987	Parker	6,206,543 B1	3/2001	Henry
D296,477 S *	6/1988	Powell D26/46	D445,928 S	7/2001	Sharrah et al.
4,774,643 A	9/1988	McGinnis et al.	D446,324 S	8/2001	Lynch et al.
4,782,432 A	11/1988	Coffman	6,290,368 B1	9/2001	Lehrer
D298,860 S *	12/1988	Witte D26/46	D449,703 S *	10/2001	Dalton D26/49
4,822,160 A	4/1989	Tsai	6,299,323 B1	10/2001	Yu et al.
4,822,161 A	4/1989	Jimmy	6,302,570 B1	10/2001	Petell et al.
4,904,078 A	2/1990	Gorike	6,305,818 B1	10/2001	Lebens et al.
4,959,760 A	9/1990	Wu	6,311,837 B1	11/2001	Blaustein et al.
4,963,045 A	10/1990	Willcox	6,320,822 B1	11/2001	Okeya et al.
5,070,436 A	12/1991	Alexander et al.	D453,580 S *	2/2002	Lynch D26/46
5,113,325 A	5/1992	Eisenbraun	6,367,949 B1	4/2002	Pederson
5,122,943 A	6/1992	Pugh	D457,670 S	5/2002	Allen
5,140,220 A	8/1992	Hasegawa	6,386,701 B1	5/2002	Khulusi
5,143,443 A	9/1992	Madsen	6,390,640 B1	5/2002	Wong et al.
5,158,356 A	10/1992	Guthrie	6,439,738 B1	8/2002	Matthews et al.
5,164,749 A	11/1992	Shelton	6,447,143 B2	9/2002	Krietzman et al.
5,174,649 A	12/1992	Alston	6,457,838 B1	10/2002	Dugmore et al.
5,183,326 A	2/1993	Case	6,461,025 B1	10/2002	Payne
5,189,512 A	2/1993	Cameron et al.	6,474,830 B1	11/2002	Hansen
5,218,385 A	6/1993	Lii	6,491,408 B1	12/2002	Cooper et al.
5,230,558 A	7/1993	Jong	D469,198 S	1/2003	Olson
5,245,516 A	9/1993	de Haas et al.	6,504,099 B2	1/2003	Huang
D343,470 S	1/1994	Yuen	6,513,949 B1	2/2003	Marshall et al.
5,278,734 A	1/1994	Ferber	6,523,973 B2	2/2003	Galli
D349,123 S	7/1994	Cooley et al.	6,530,672 B2	3/2003	Galli
5,331,333 A	7/1994	Tagawa et al.	D473,890 S	4/2003	Waters
5,331,357 A	7/1994	Cooley et al.	6,549,231 B1	4/2003	Matsui
5,367,345 A	11/1994	da Silva	6,554,444 B2	4/2003	Shimada et al.
5,386,351 A	1/1995	Tabor	D475,149 S *	5/2003	Chun D26/37
D355,272 S *	2/1995	Chabria D26/46	D477,432 S	7/2003	Parsons
5,438,698 A	8/1995	Burton et al.	6,604,837 B2	8/2003	Sandberg
5,452,190 A	9/1995	Priesemuth	6,612,695 B2	9/2003	Waters
5,459,671 A	10/1995	Duley	6,612,696 B2	9/2003	Waters
5,460,346 A	10/1995	Hirsch	D484,905 S	1/2004	Waters
5,485,358 A	1/1996	Chien	6,713,956 B2	3/2004	Hsing Chen et al.
D369,422 S *	4/1996	Dalton D26/46	6,749,166 B2	6/2004	Valentine et al.
5,541,767 A	7/1996	Murphy et al.	6,764,194 B1	7/2004	Cooper
5,541,816 A	7/1996	Miserendino	6,787,999 B2	9/2004	Stimac
			6,802,636 B1	10/2004	Bailey, Jr.
			6,808,284 B1	10/2004	Chao
			6,830,357 B2	12/2004	Lopez
			D501,266 S	1/2005	Harris, Jr. et al.

(56)

References Cited

U.S. PATENT DOCUMENTS

6,857,739 B1 2/2005 Watson
 6,860,628 B2 3/2005 Robertson
 6,863,416 B2 3/2005 Waters
 6,896,392 B2 5/2005 Jigamian
 D507,368 S 7/2005 Waters
 D507,369 S 7/2005 Waters
 6,929,878 B2 8/2005 Chen et al.
 6,966,668 B2 11/2005 Cugini
 6,966,677 B2 11/2005 Galli
 6,977,776 B2 12/2005 Volkenandt et al.
 6,982,518 B2 1/2006 Chou
 6,993,803 B2 2/2006 Chan
 6,997,552 B1 2/2006 Hung
 7,003,353 B1 2/2006 Parkhouse
 7,004,582 B2 2/2006 Jannard et al.
 7,008,074 B1 3/2006 Halm
 7,021,790 B2 4/2006 Parsons
 7,094,981 B2 8/2006 Sorrentino et al.
 7,104,670 B2 9/2006 Waters
 7,105,939 B2 9/2006 Bednyak
 7,111,956 B2 9/2006 Brown
 7,118,241 B2 10/2006 Sohn
 7,118,262 B2 10/2006 Negley
 7,147,324 B2 12/2006 Jannard et al.
 7,150,526 B2 12/2006 Jannard et al.
 D542,952 S * 5/2007 Bhavnani D26/37
 7,213,917 B2 5/2007 Jannard et al.
 7,216,973 B2 5/2007 Jannard et al.
 7,234,831 B1 6/2007 Hanley
 7,226,180 B2 7/2007 Sung
 7,255,437 B2 8/2007 Howell et al.
 7,264,350 B2 9/2007 Jannard et al.
 D553,177 S 10/2007 Chen
 D553,276 S * 10/2007 Campbell D26/37
 7,278,734 B2 10/2007 Jannard et al.
 7,281,826 B2 10/2007 Huang
 7,311,417 B1 12/2007 Lemke
 D568,922 S 5/2008 Anderl
 D569,023 S * 5/2008 Lee D26/60
 7,377,664 B2 5/2008 Waters
 7,438,409 B2 10/2008 Jordan
 D580,077 S * 11/2008 Sham D26/37
 7,524,089 B2 4/2009 Park
 D592,339 S * 5/2009 Crawford D26/37
 7,549,772 B2 6/2009 Wang
 7,562,979 B2 7/2009 Waters
 D600,738 S 9/2009 Su et al.
 7,607,775 B2 10/2009 Hermanson et al.
 7,618,154 B2 11/2009 Rosiello
 D606,688 S * 12/2009 Ma D26/46
 7,661,818 B2 2/2010 Waters
 D611,086 S 3/2010 Meng-Suen
 7,670,023 B1 3/2010 Peterson
 7,699,486 B1 4/2010 Beiner
 D617,826 S 6/2010 Waters
 7,726,844 B2 6/2010 Chen
 7,784,969 B2 8/2010 Reisenauer
 D629,544 S * 12/2010 Deguglimo D26/49
 7,862,979 B2 1/2011 Waters
 D636,509 S * 4/2011 Killion D26/46
 7,938,553 B1 5/2011 Beiner
 8,167,460 B2 5/2012 Chu
 8,235,524 B2 8/2012 Waters
 8,246,193 B2 8/2012 Weng
 8,342,716 B2 1/2013 Lin
 D676,993 S * 2/2013 Kotsis D26/46
 8,388,164 B2 3/2013 Waters
 8,444,266 B2 5/2013 Waters
 8,491,118 B2 7/2013 Waters
 D687,989 S * 8/2013 Yeh D26/46
 D687,992 S * 8/2013 Yeh D26/46
 D689,226 S * 9/2013 Yeh D26/46
 8,545,012 B2 10/2013 Waters
 D693,951 S * 11/2013 Rugendyke D26/44
 D698,056 S * 1/2014 Forbes D26/42

D698,959 S * 2/2014 Shen D26/46
 D731,687 S * 6/2015 Haws D26/46
 9,046,230 B2 6/2015 O'Brien
 9,097,393 B2 8/2015 Huang
 9,185,278 B2 11/2015 Waters
 D753,855 S * 4/2016 Cacciabeve D26/37
 D756,011 S * 5/2016 Nojima D16/219
 D757,318 S * 5/2016 Evans D26/46
 D760,414 S * 6/2016 Brown D26/37
 2002/0131275 A1 9/2002 Yamamoto et al.
 2002/0159258 A1 10/2002 Beeman
 2002/0163800 A1 11/2002 Hansen
 2002/0186557 A1 12/2002 Lary et al.
 2002/0187806 A1 12/2002 Jang
 2003/0079387 A1 5/2003 Derose
 2003/0169207 A1 9/2003 Beigel
 2003/0189824 A1 10/2003 Meeder et al.
 2004/0201995 A1 10/2004 Galli
 2004/0222638 A1 11/2004 Bednyak
 2004/0240067 A1 12/2004 Marusi et al.
 2004/0240204 A1 12/2004 Russ et al.
 2004/0264176 A1 12/2004 Vanderschuit
 2005/0001433 A1 1/2005 Seelin
 2005/0072458 A1 4/2005 Goldstein
 2005/0099799 A1 5/2005 Cugini et al.
 2005/0204490 A1 9/2005 Kemp et al.
 2005/0211187 A1 9/2005 Harman et al.
 2005/0248932 A1 11/2005 Waters
 2005/0254238 A1 11/2005 Parker et al.
 2005/0265015 A1 12/2005 Salazar
 2006/0012974 A1 1/2006 Su
 2006/0012975 A1 1/2006 Huttner et al.
 2006/0091784 A1 5/2006 Conner et al.
 2006/0091787 A1 5/2006 Kabay et al.
 2006/0092621 A1 5/2006 Lai
 2006/0138440 A1 6/2006 Jyo
 2006/0158895 A1 7/2006 Brands et al.
 2006/0198122 A1 9/2006 Senter
 2006/0238995 A1 10/2006 Wang
 2006/0239018 A1 10/2006 Jardin
 2006/0291193 A1 12/2006 Hill
 2007/0013865 A1 1/2007 Joradn
 2007/0030442 A1 2/2007 Howell et al.
 2007/0053179 A1 3/2007 Pang
 2007/0058361 A1 3/2007 Sevilla
 2007/0074752 A1 4/2007 Shau
 2007/0145746 A1 6/2007 Biamonte
 2007/0153537 A1 7/2007 Scott et al.
 2007/0159810 A1 7/2007 Kim
 2007/0159823 A1 7/2007 Ho
 2007/0189003 A1 8/2007 Daley
 2007/0206373 A1 9/2007 Whiteside et al.
 2007/0211470 A1 9/2007 Huang
 2007/0236915 A1 10/2007 Chen
 2007/0236916 A1 10/2007 Hsu
 2008/0069391 A1 3/2008 Steyn et al.
 2009/0213323 A1 8/2009 Mermanson
 2010/0177508 A1 7/2010 Maglica
 2010/0181889 A1 7/2010 Falicoff et al.
 2010/0271813 A1 10/2010 Peterson
 2010/0302767 A1 12/2010 Mattheis
 2011/0211156 A1 9/2011 Beiner
 2013/0343042 A1 12/2013 Windom
 2016/0197502 A1* 7/2016 Waters F21V 29/763
 340/636.1

FOREIGN PATENT DOCUMENTS

CA 2610073 A1 5/2008
 CN 1603677 A 4/2005
 CN 101950091 A 1/2011
 CN 301445845 S 1/2011
 CN 201796205 U 4/2011
 DE 3043007 6/1982
 DE 9410886 9/1994
 EP 1451633 9/2004
 EP 2290433 A1 3/2011
 EP 2299311 A1 3/2011
 GB 2272073 A 5/1994

(56)

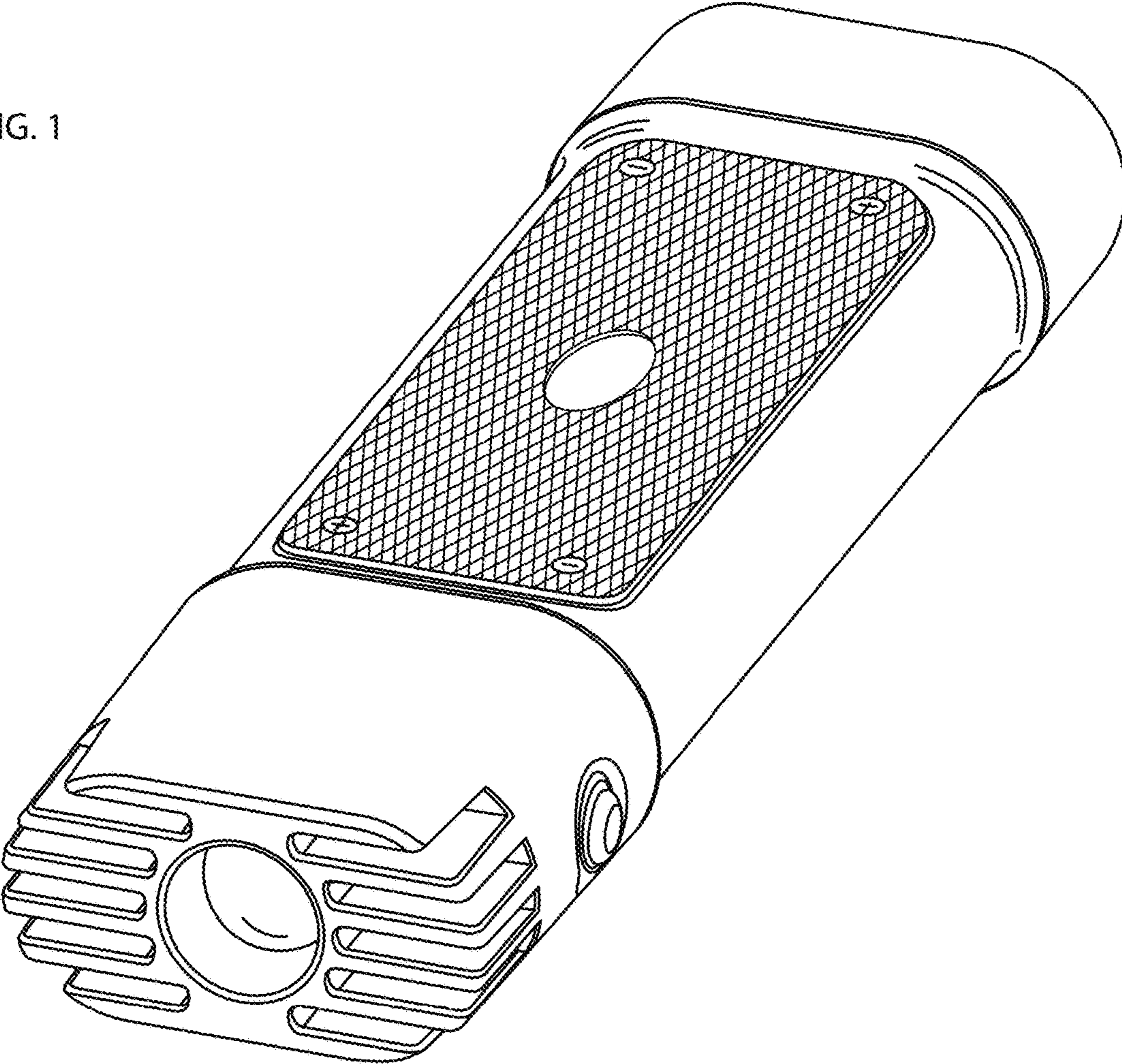
References Cited

FOREIGN PATENT DOCUMENTS

JP	2004207580		7/2004
WO	113033	A1	2/2001
WO	177575	A1	10/2001
WO	2003040808	A2	5/2003
WO	2006124928		11/2006
WO	2011041591	A1	4/2011
WO	2011100471	A1	8/2011
ZA	20043826		9/2005

* cited by examiner

FIG. 1



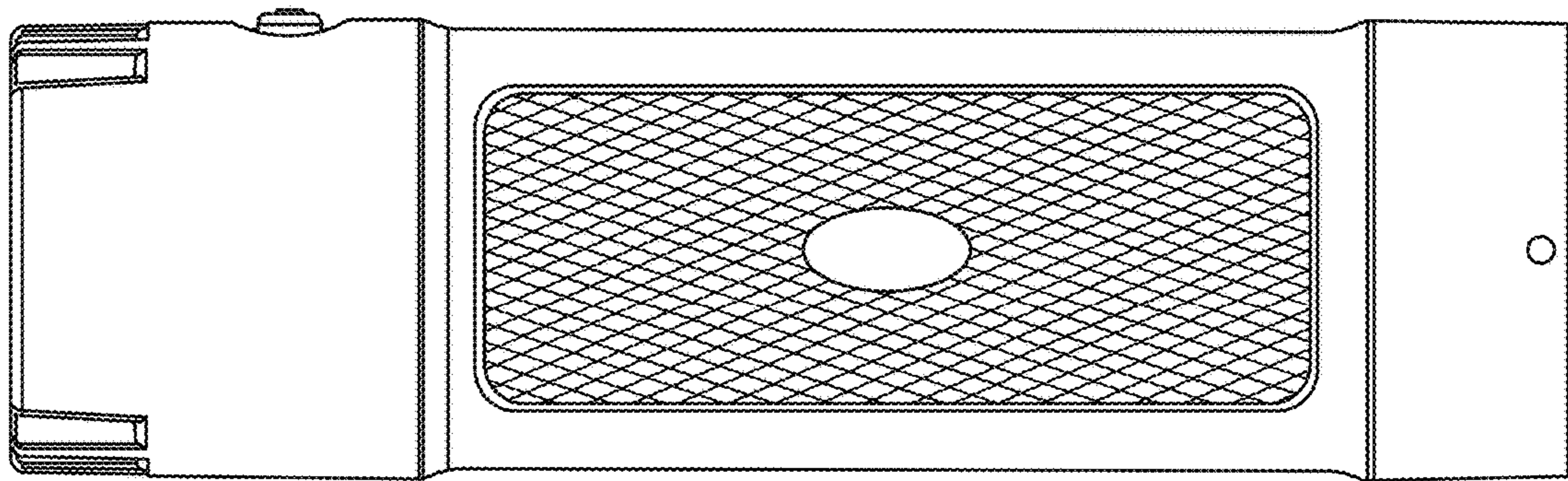


FIG. 2

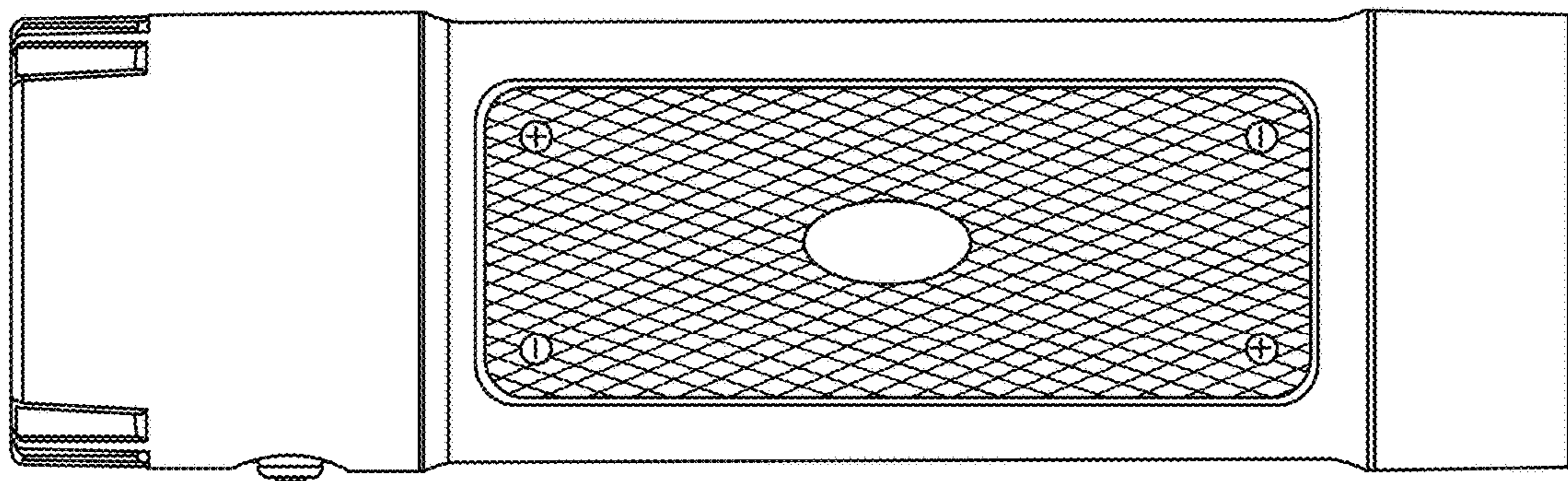


FIG. 3

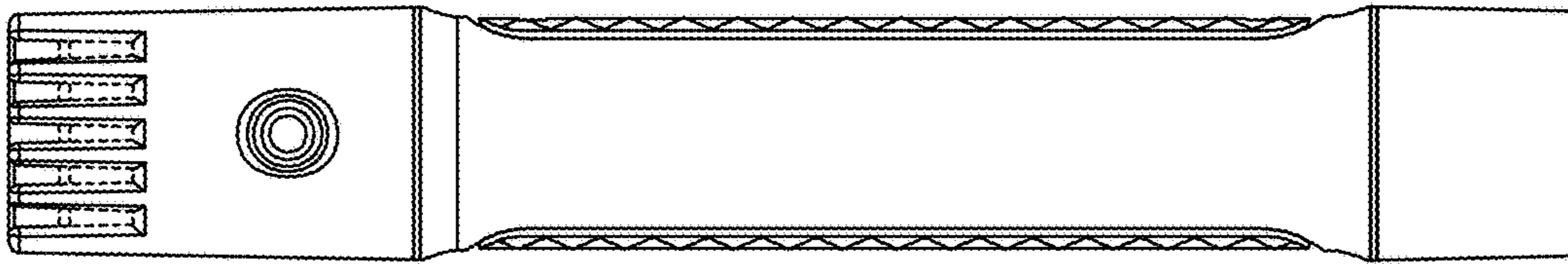


FIG. 4

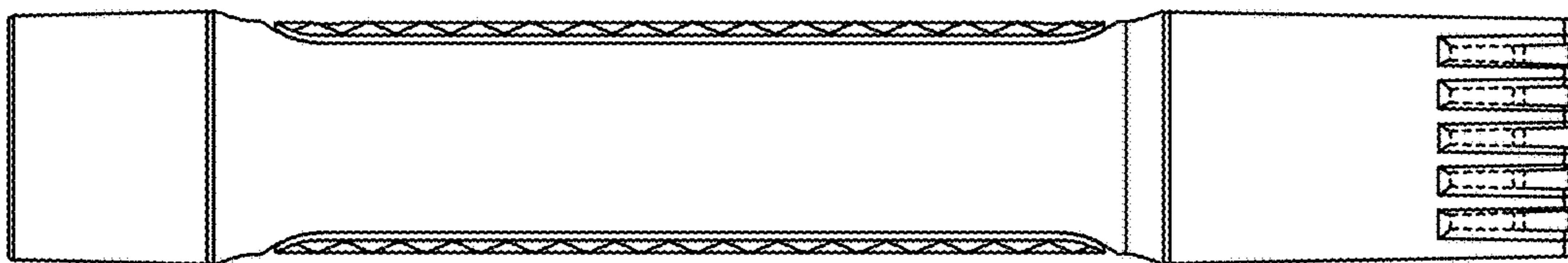


FIG. 5

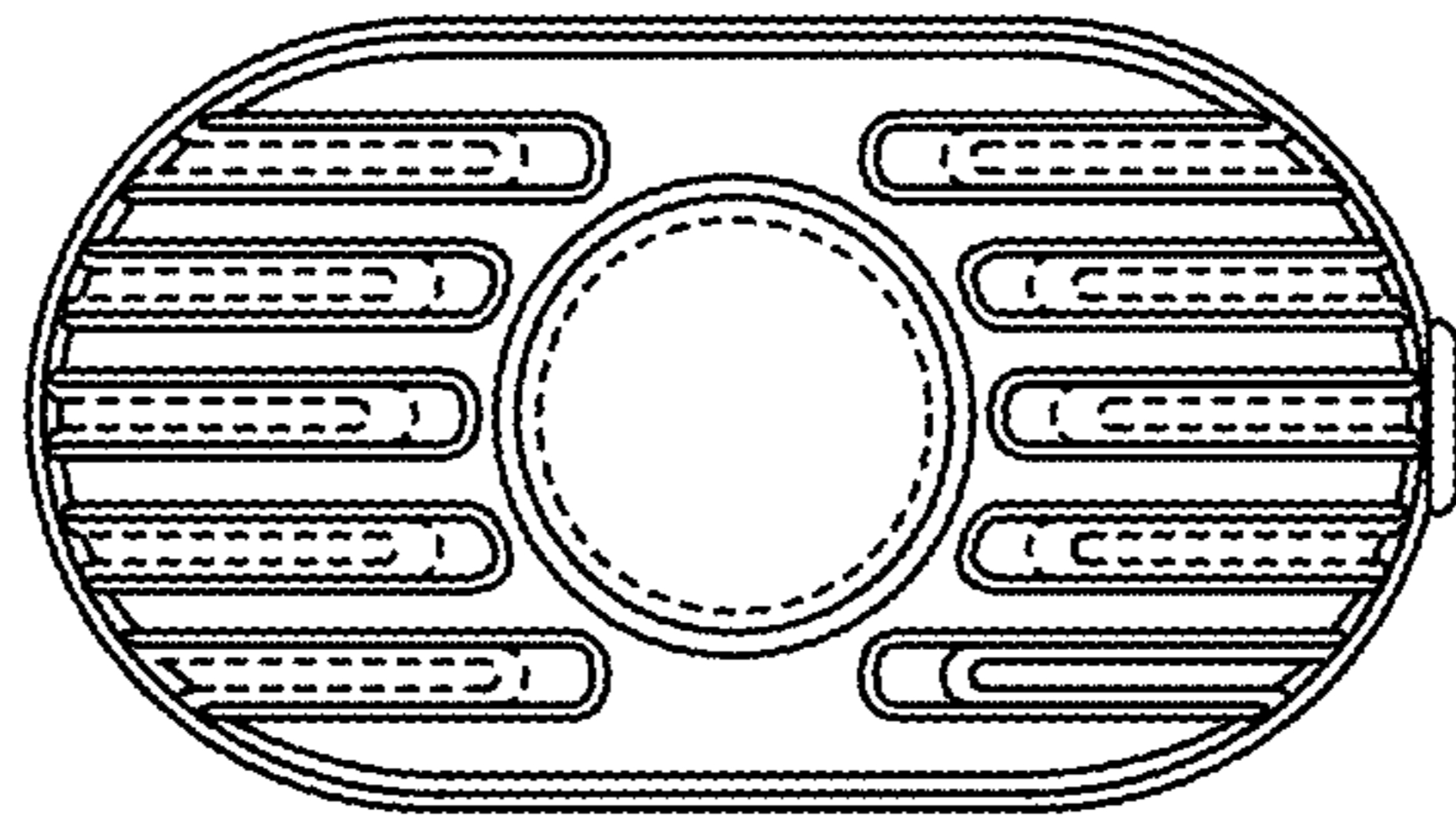


FIG. 6

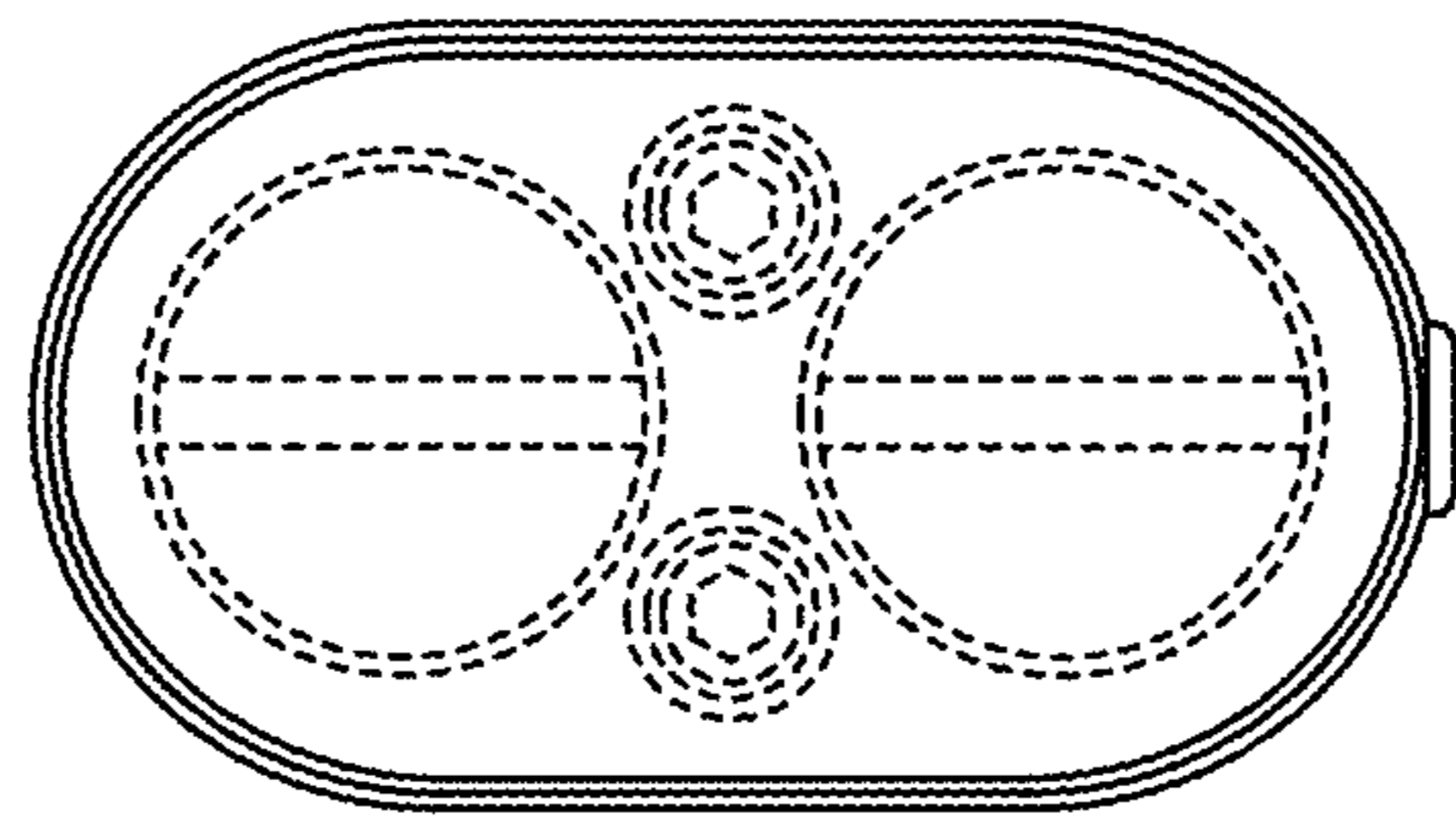
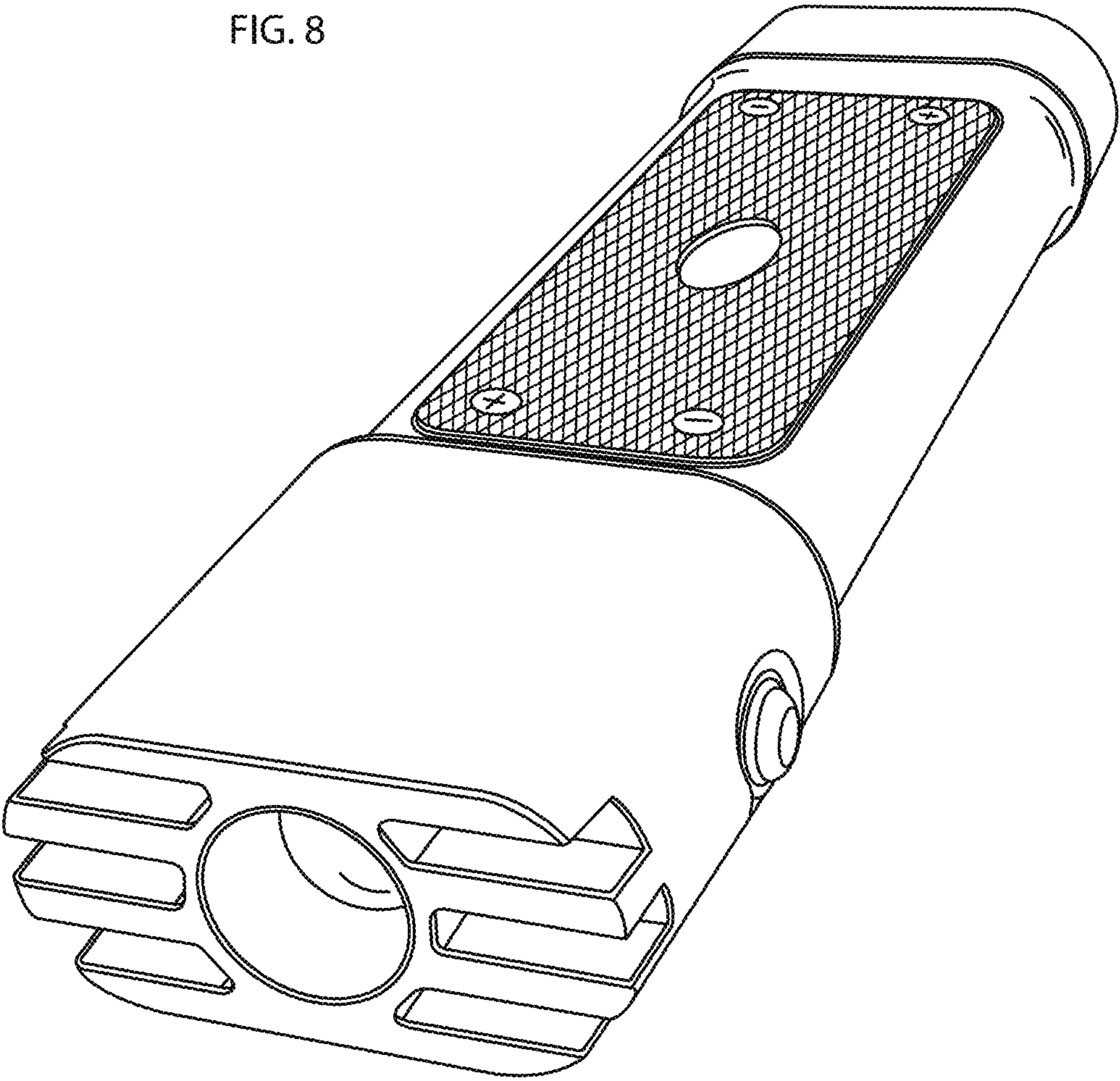


FIG. 7

FIG. 8



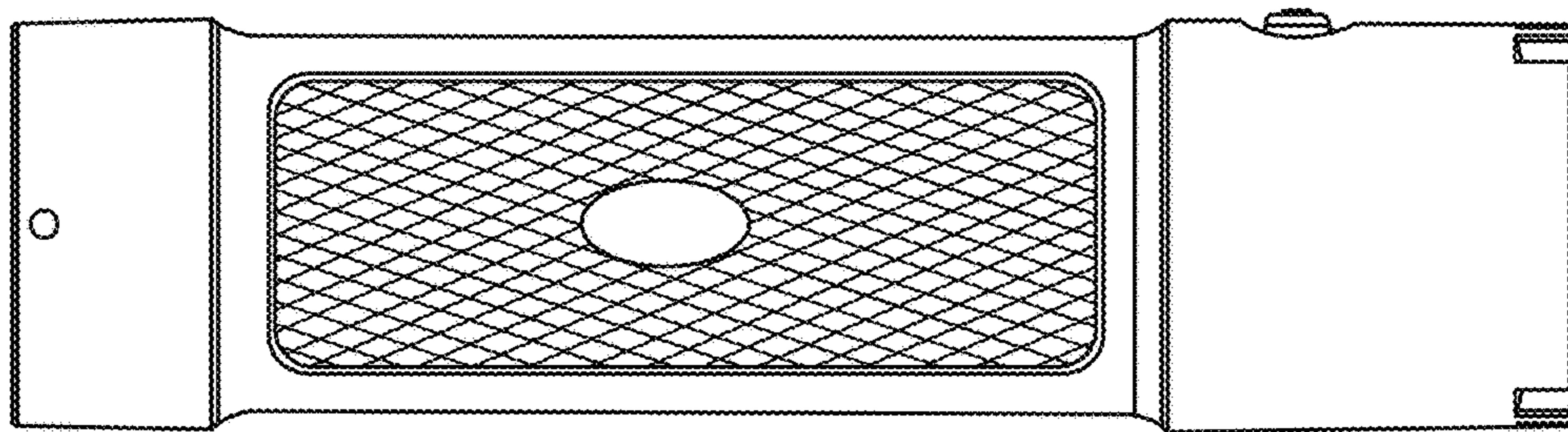


FIG. 9

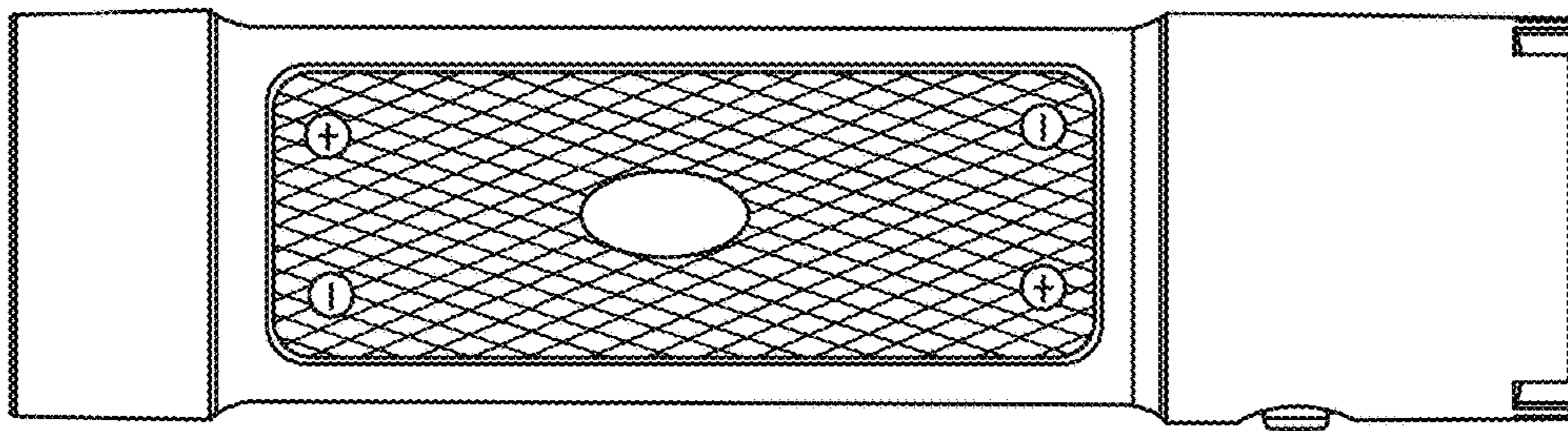


FIG. 10



FIG. 11



FIG. 12

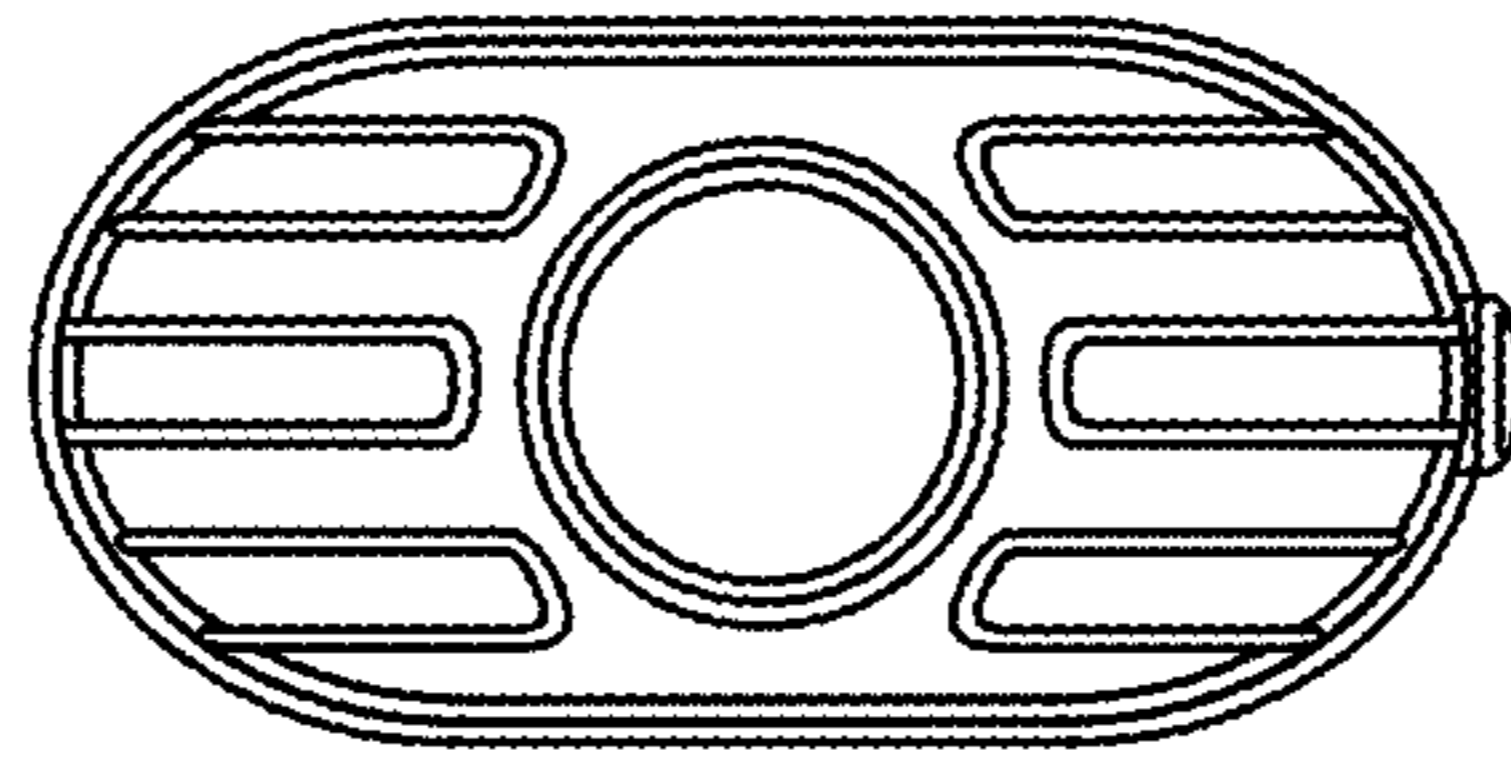


FIG. 13

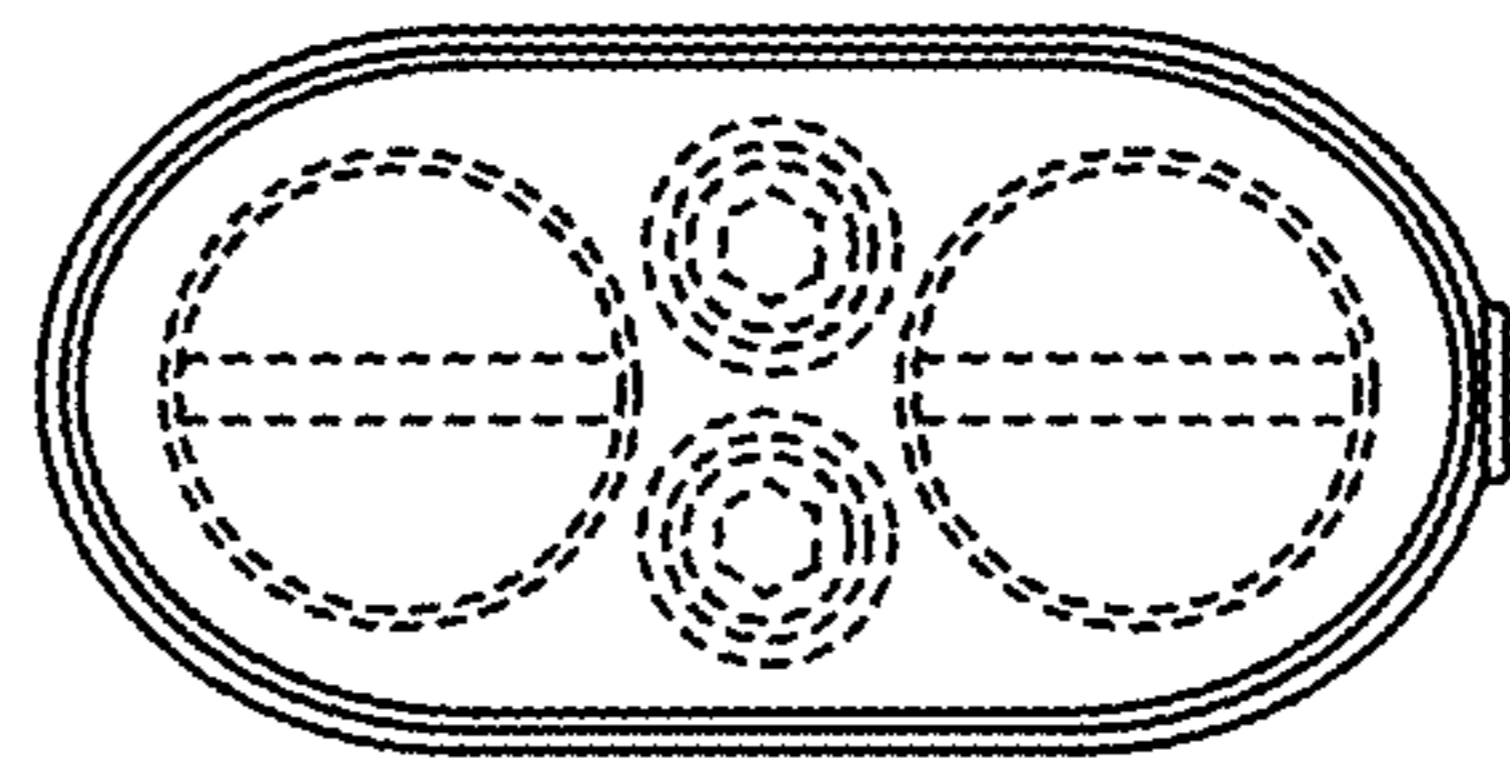


FIG. 14

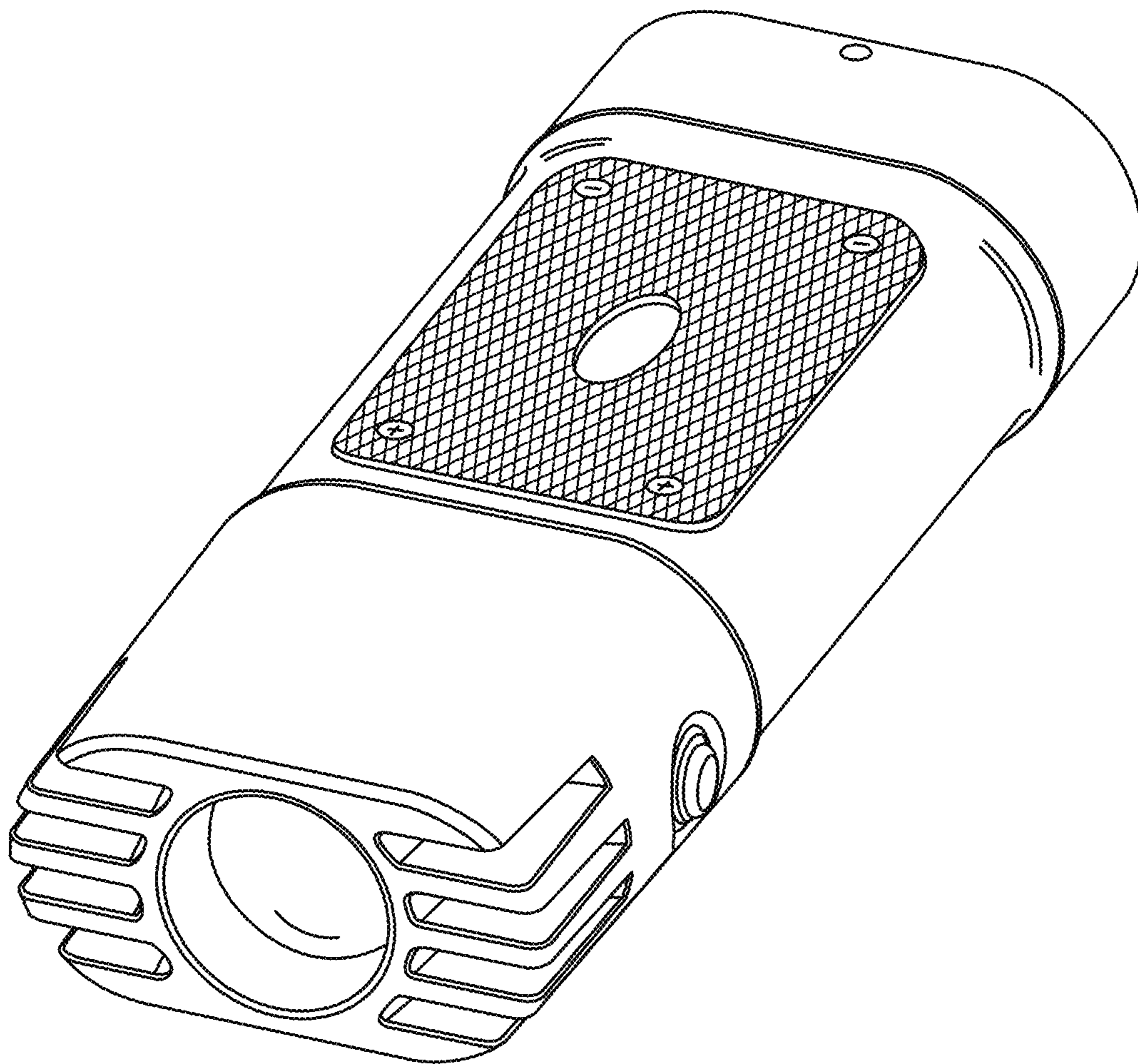


FIG.15

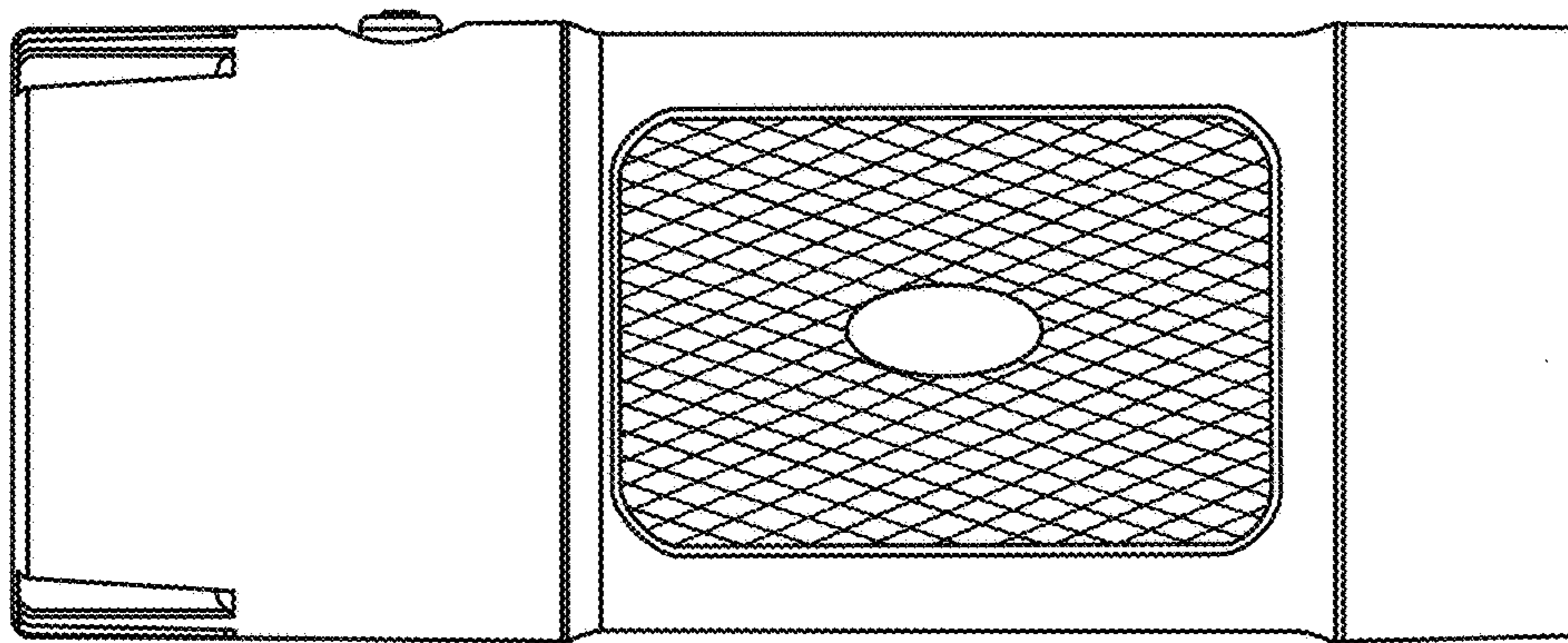


FIG. 16

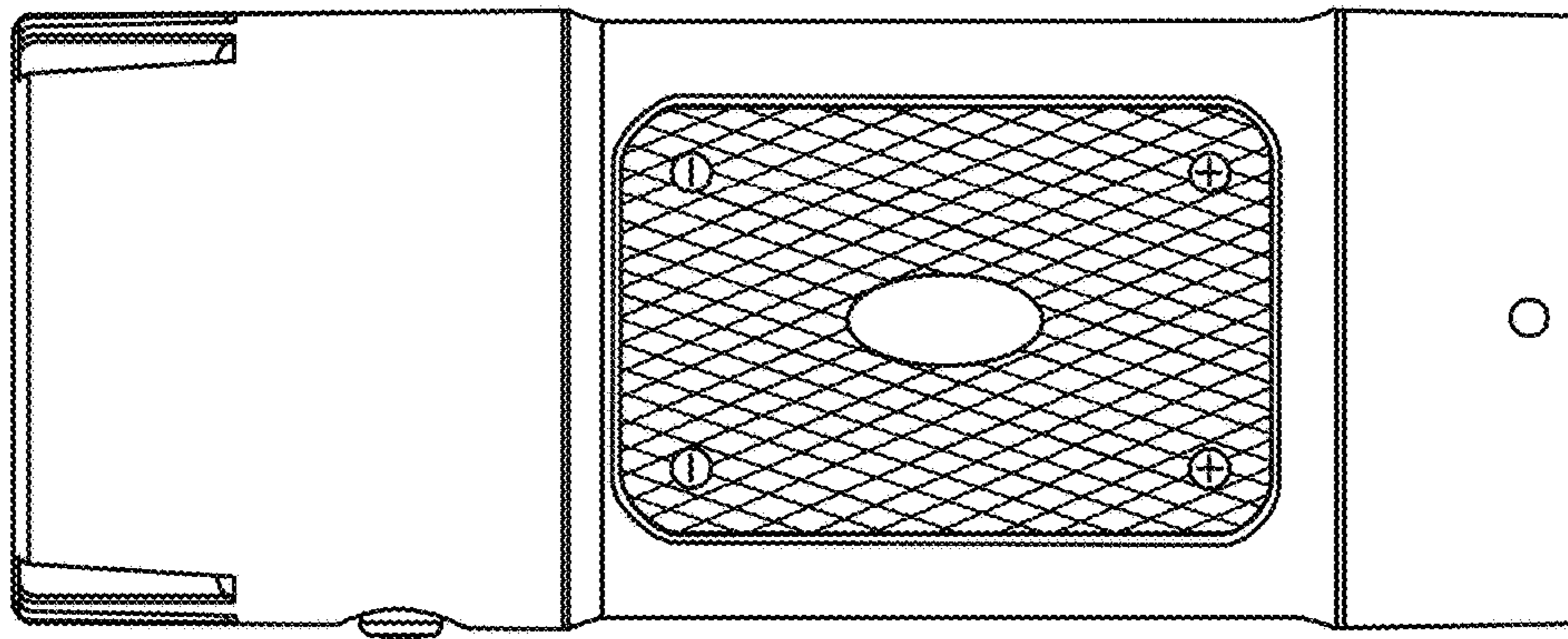


FIG. 17

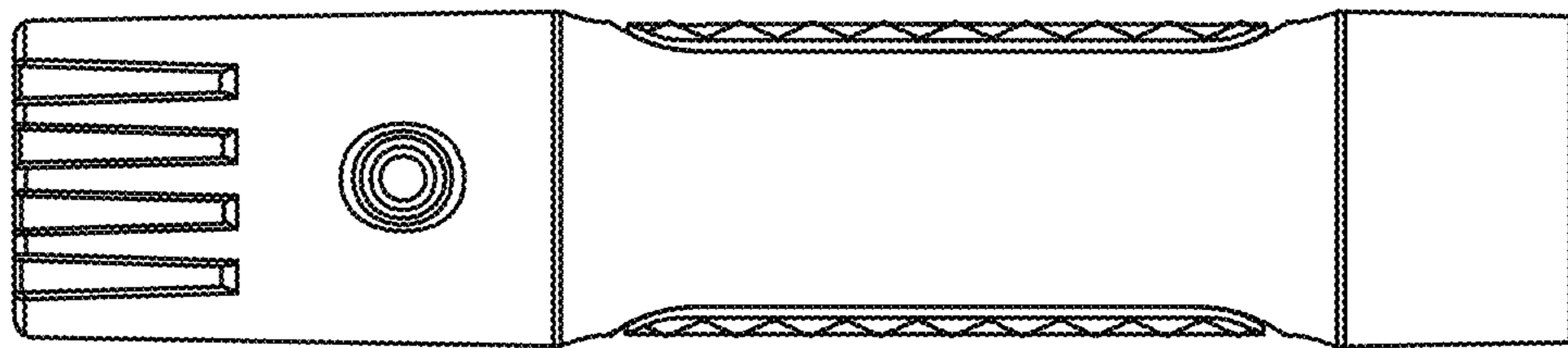


FIG. 18

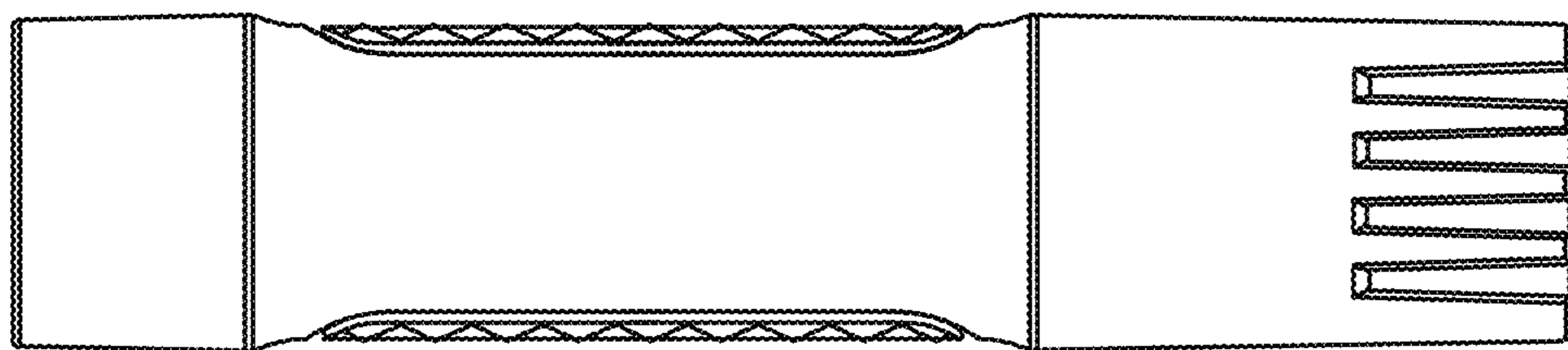


FIG. 19

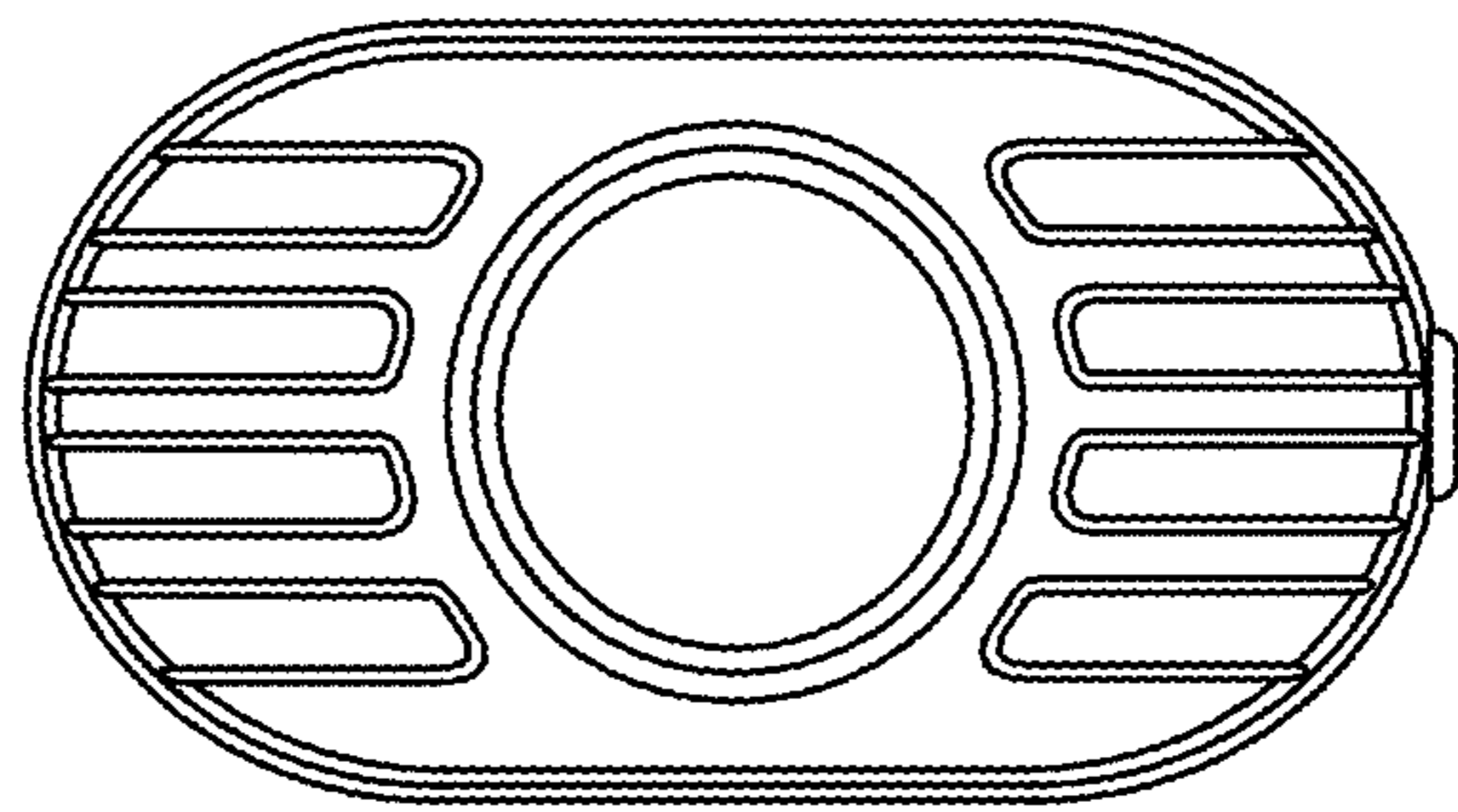


FIG. 20

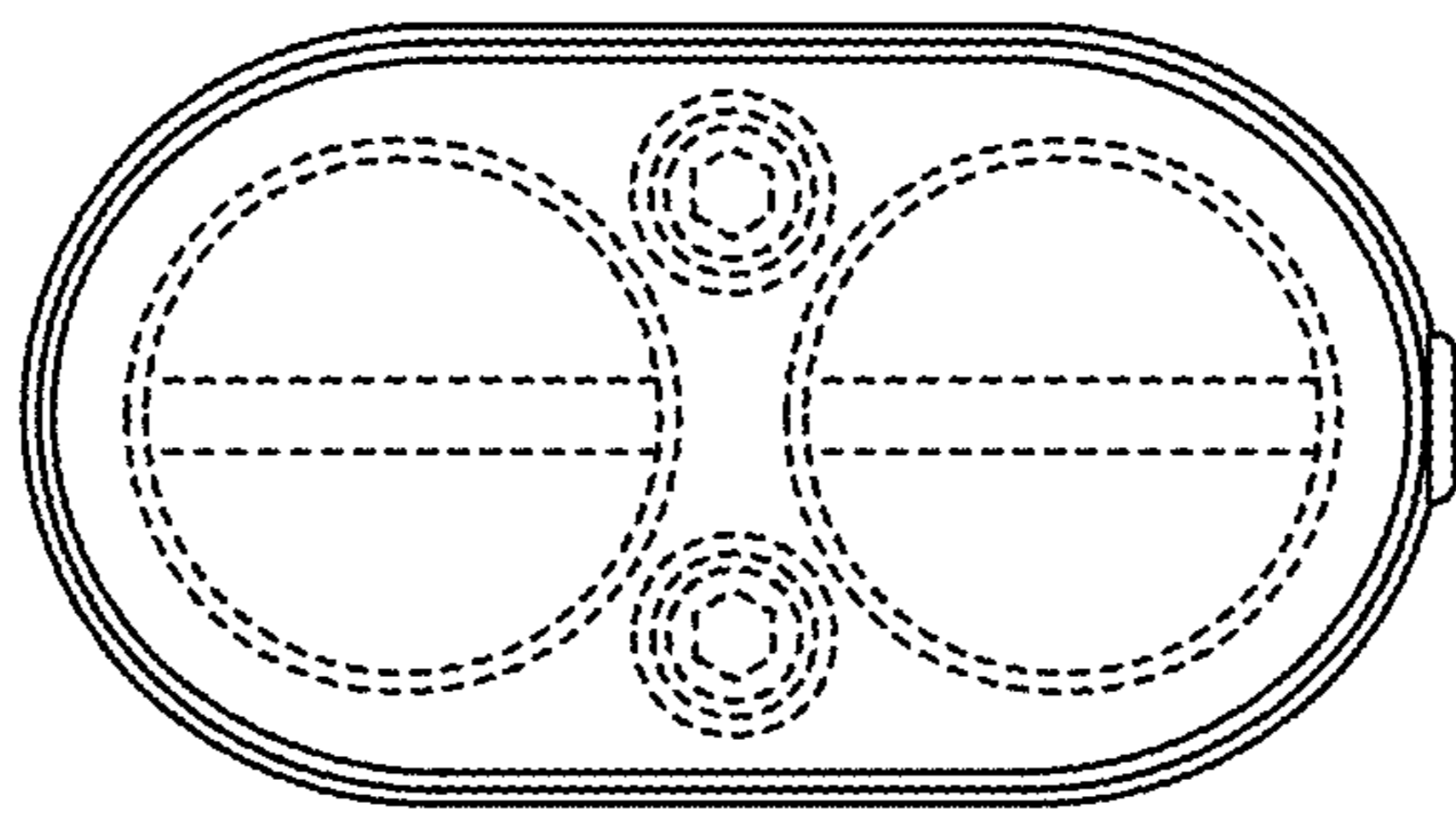


FIG. 21