



US00D824555S

(12) **United States Design Patent** (10) **Patent No.:** **US D824,555 S**  
**Dos Santos** (45) **Date of Patent:** **\*\* Jul. 31, 2018**

(54) **HEADLIGHT FOR A VEHICLE**  
(71) Applicant: **Daimler AG**, Stuttgart (DE)  
(72) Inventor: **Rafael Dos Santos**, Portland, OR (US)  
(73) Assignee: **Daimler AG**, Stuttgart (DE)  
(\*\*) Term: **15 Years**  
(21) Appl. No.: **29/634,518**  
(22) Filed: **Jan. 23, 2018**

D711,788 S 8/2014 Brzustowicz  
D743,071 S \* 11/2015 Kao ..... D26/28  
D750,818 S \* 3/2016 Lin ..... D26/28  
D799,380 S 10/2017 Cosme et al.

**OTHER PUBLICATIONS**

Evans, Brett T., "SPIED: New Freightliner Cascadia Gets SuperTruck-Like Improvements," Diesel Power Magazine, Mar. 30, 2015.

\* cited by examiner

*Primary Examiner* — Marcus Jackson  
(74) *Attorney, Agent, or Firm* — Crowell & Moring LLP

**Related U.S. Application Data**

(62) Division of application No. 29/572,850, filed on Aug. 1, 2016, now Pat. No. Des. 812,789.  
(51) **LOC (11) Cl.** ..... **26-06**  
(52) **U.S. Cl.**  
USPC ..... **D26/28**  
(58) **Field of Classification Search**  
USPC ..... D26/28-36; 362/80-83, 267-269,  
362/459-468, 475-478, 485-487  
CPC ..... F21S 48/00; F21S 48/10; F21S 48/115;  
F21S 48/225; F21S 48/1233; F21S  
48/1266; F21S 48/1388; F21S 48/2268;  
F21V 21/04  
See application file for complete search history.

(57) **CLAIM**

The ornamental design for a headlight for a vehicle, as shown and described.

**DESCRIPTION**

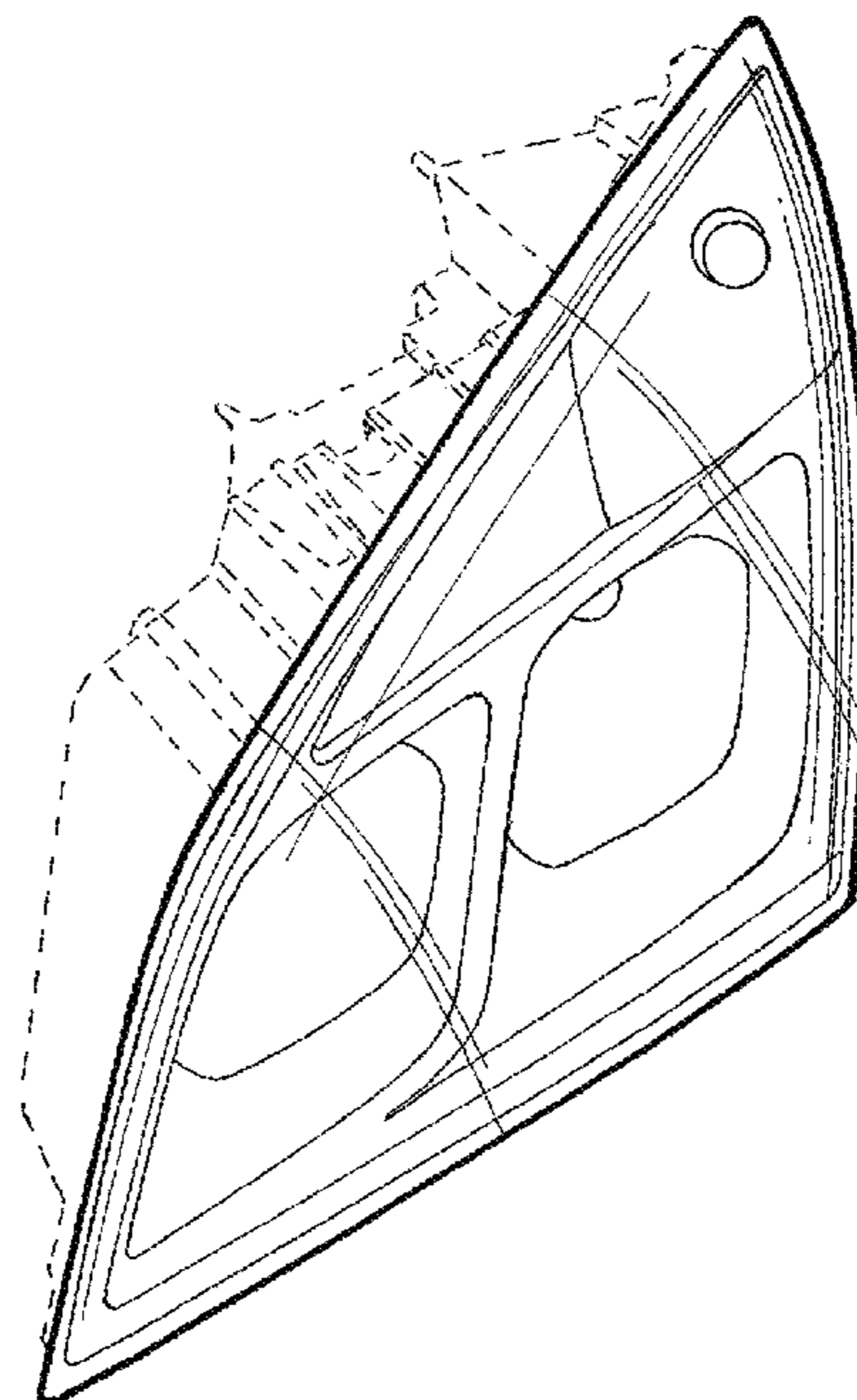
FIG. 1 is a left, front perspective view of a first embodiment of a headlight for a vehicle according to the design;  
FIG. 2 is a right side view thereof;  
FIG. 3 is a front view thereof; and  
FIG. 4 is a top view thereof.  
FIG. 5 is a right, front perspective view of a second embodiment of the headlight for a vehicle according to the design;  
FIG. 6 is a left side view thereof;  
FIG. 7 is a front view thereof; and,  
FIG. 8 is a top view thereof.  
The broken lines are for illustrative purposes only and form no part of the claimed design. Also enclosed is a set of photographs of an embodiment of the design.

(56) **References Cited**

**U.S. PATENT DOCUMENTS**

D586,019 S \* 2/2009 Hsu ..... D26/28  
D674,938 S \* 1/2013 Lai ..... D26/28  
D674,941 S \* 1/2013 Lai ..... D26/28  
D711,786 S 8/2014 Brzustowicz et al.  
D711,787 S 8/2014 Brzustowicz

**1 Claim, 6 Drawing Sheets**



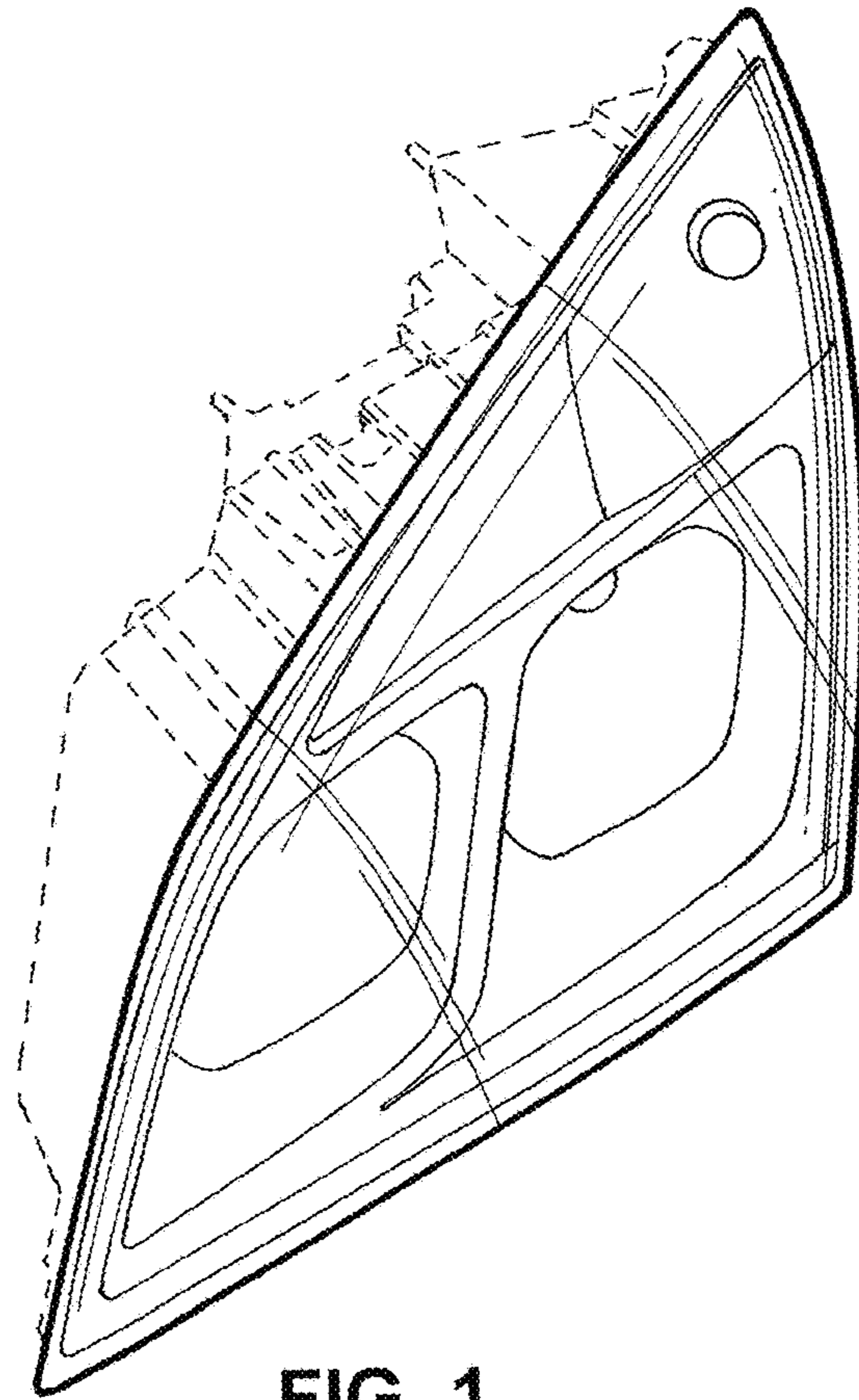


FIG. 1

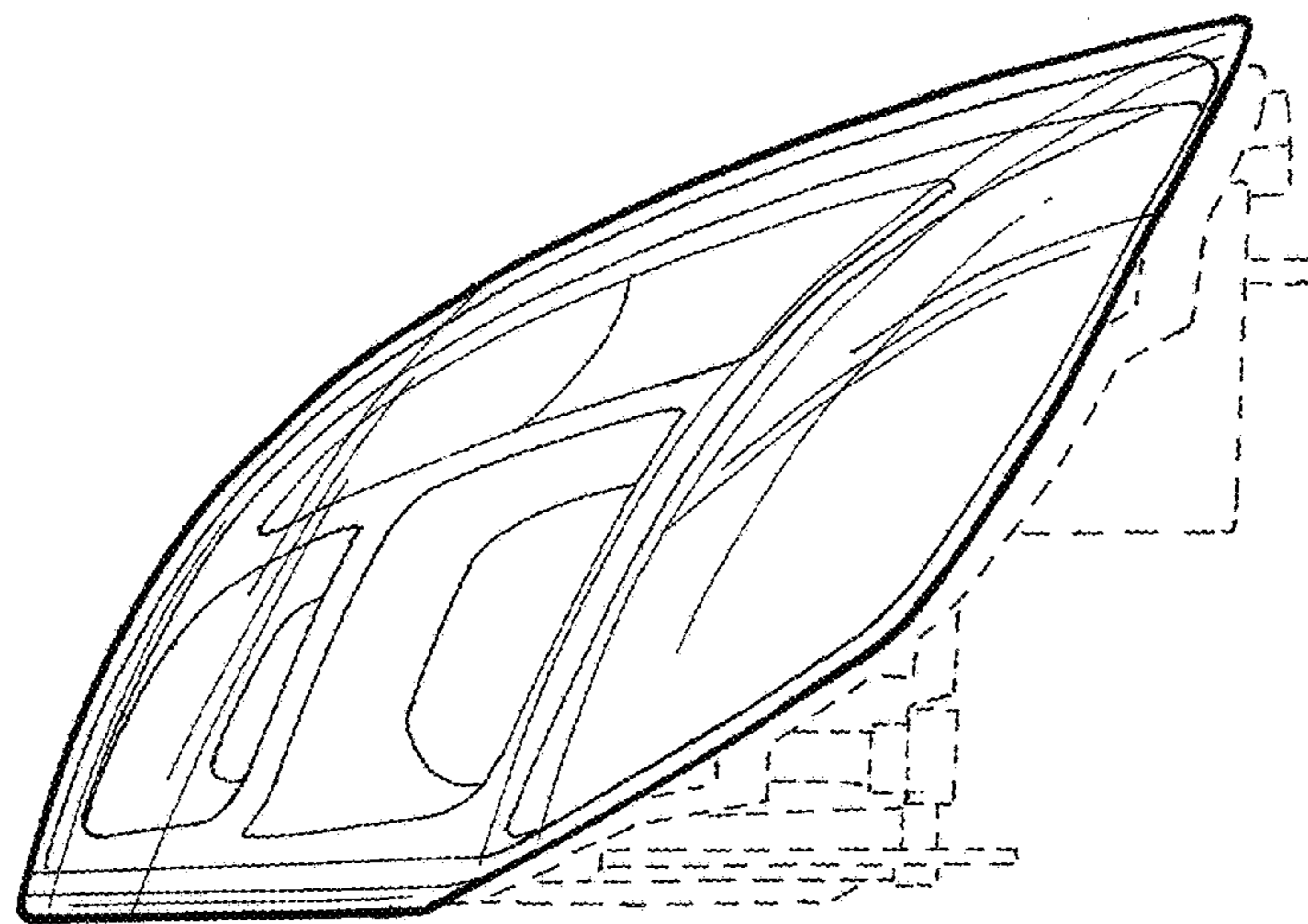


FIG. 2

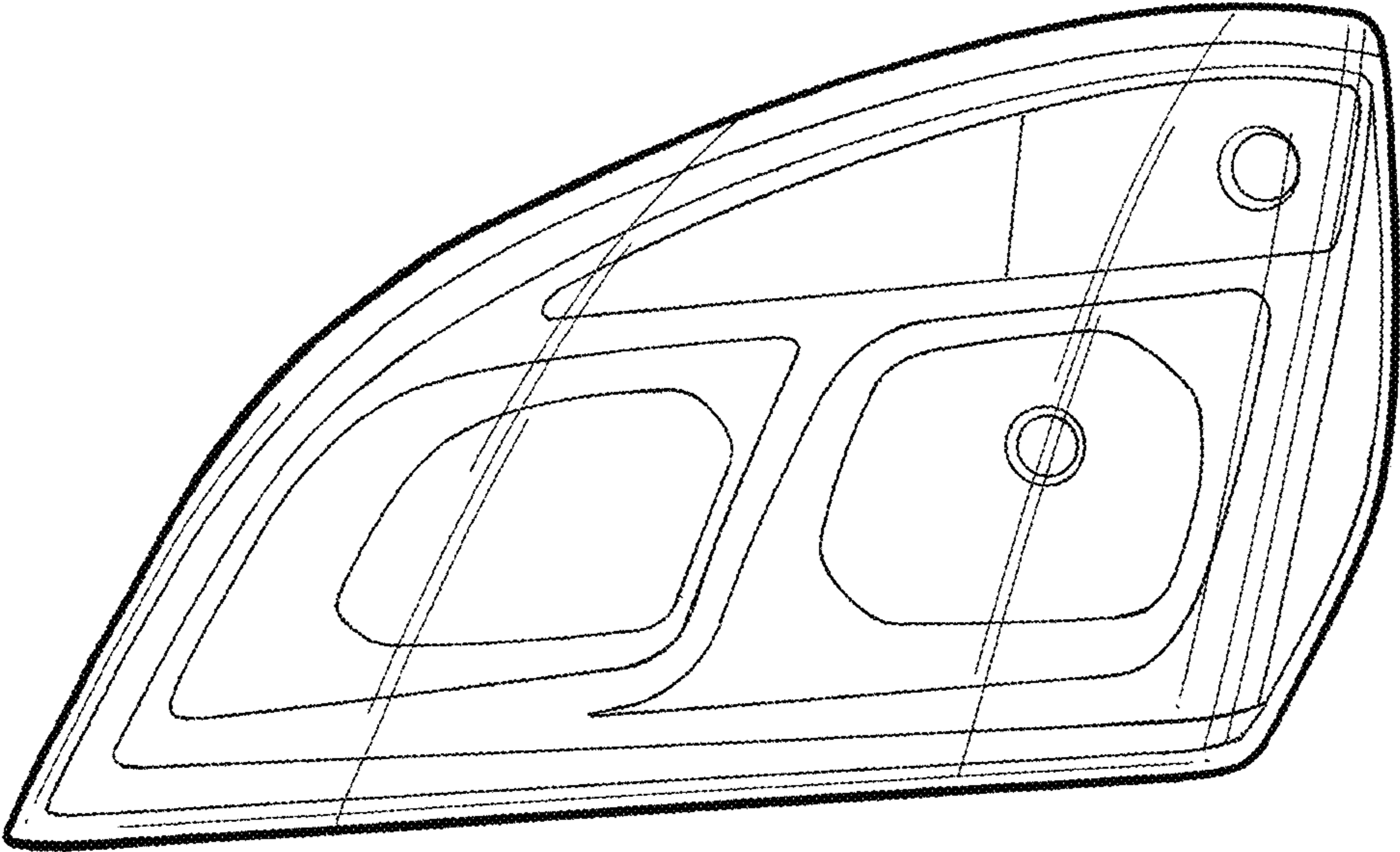


FIG. 3

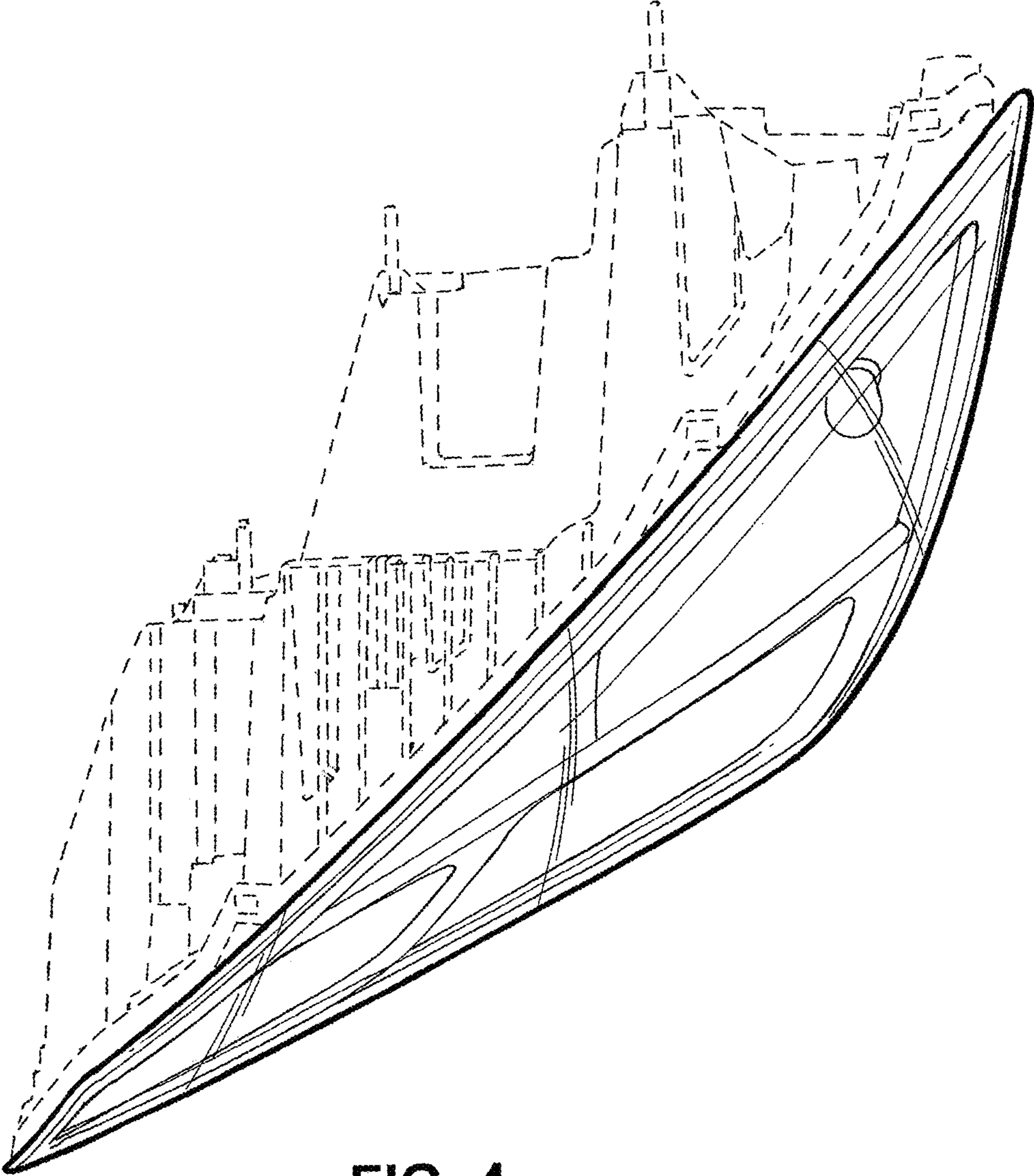


FIG. 4

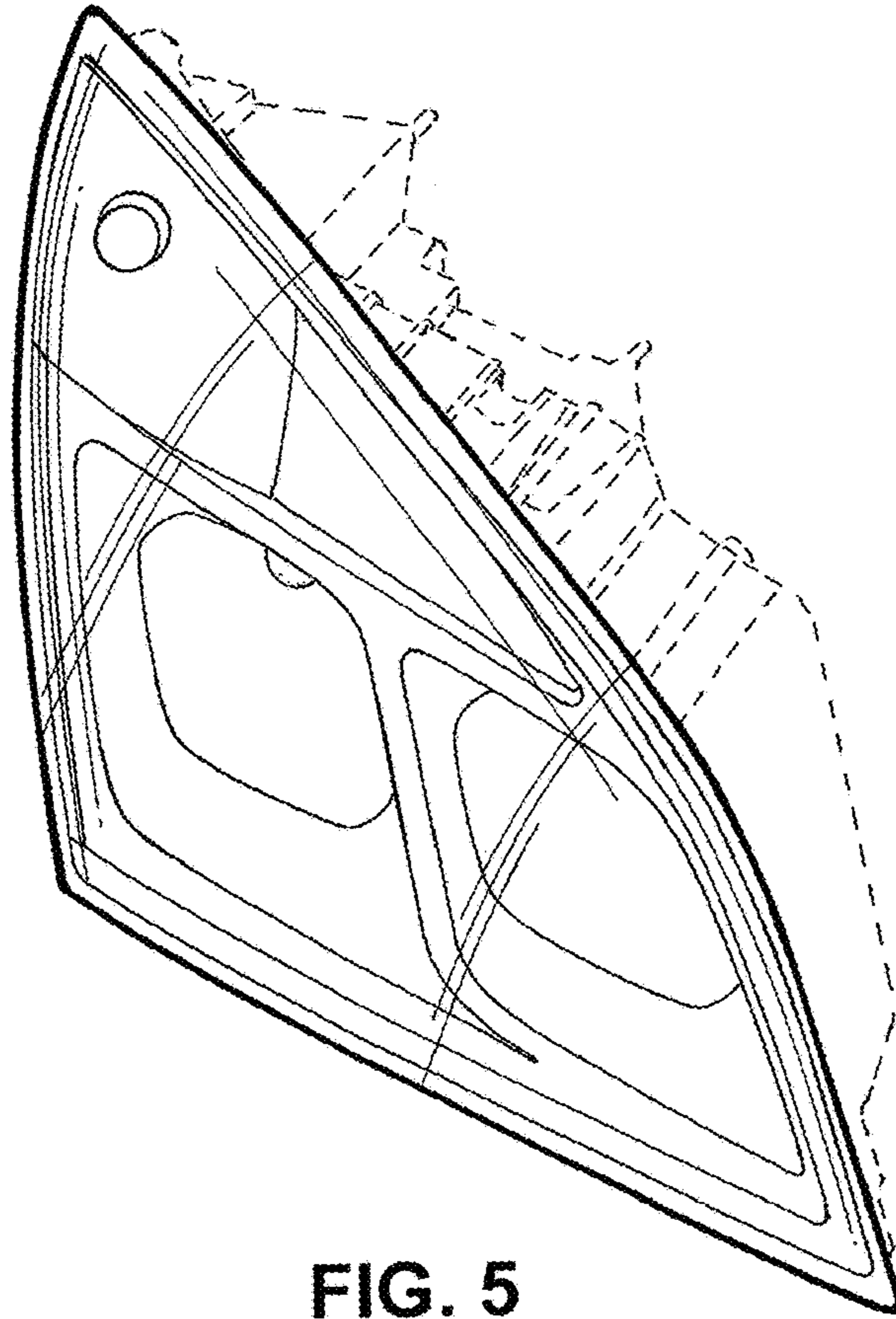


FIG. 5

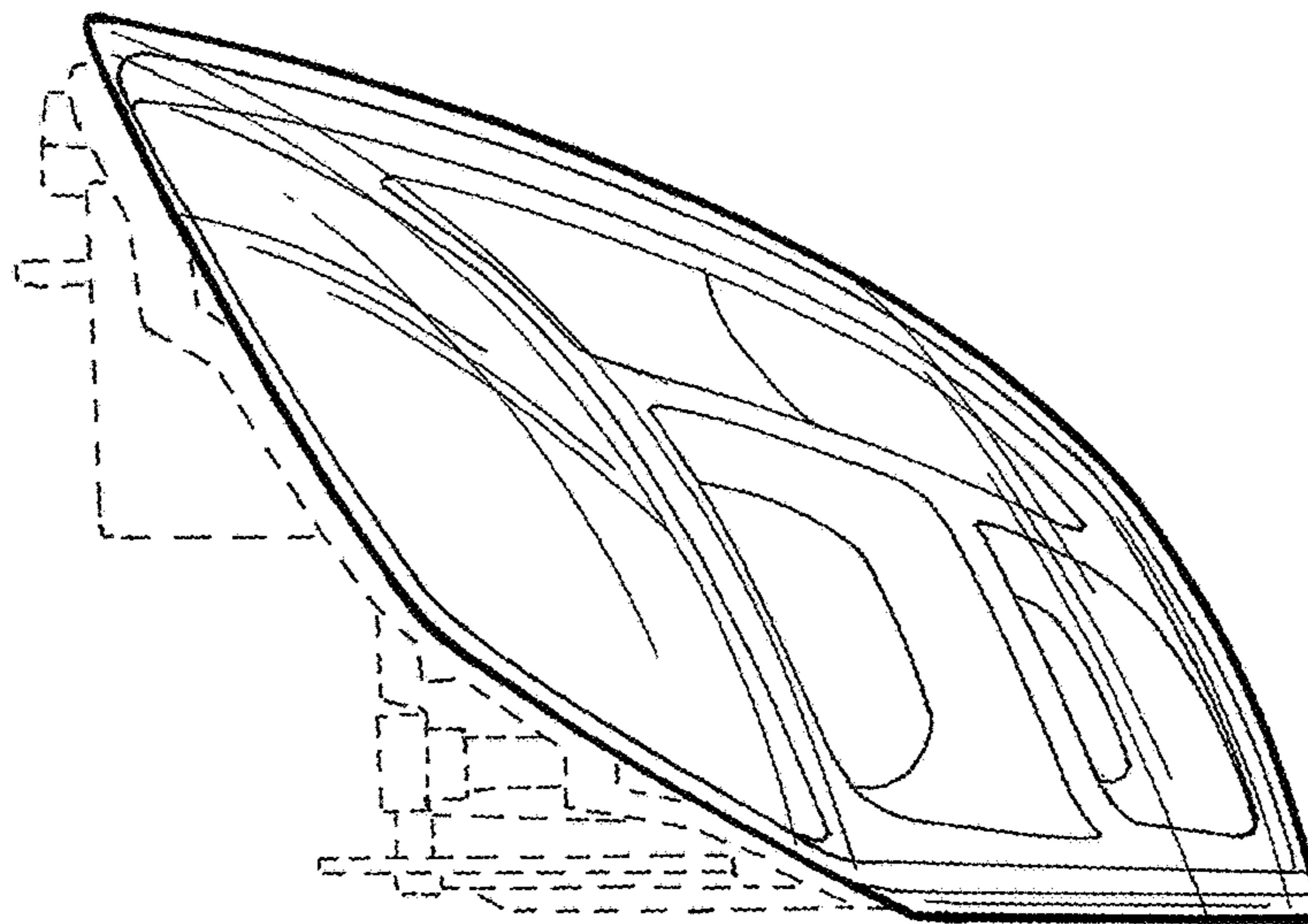


FIG. 6

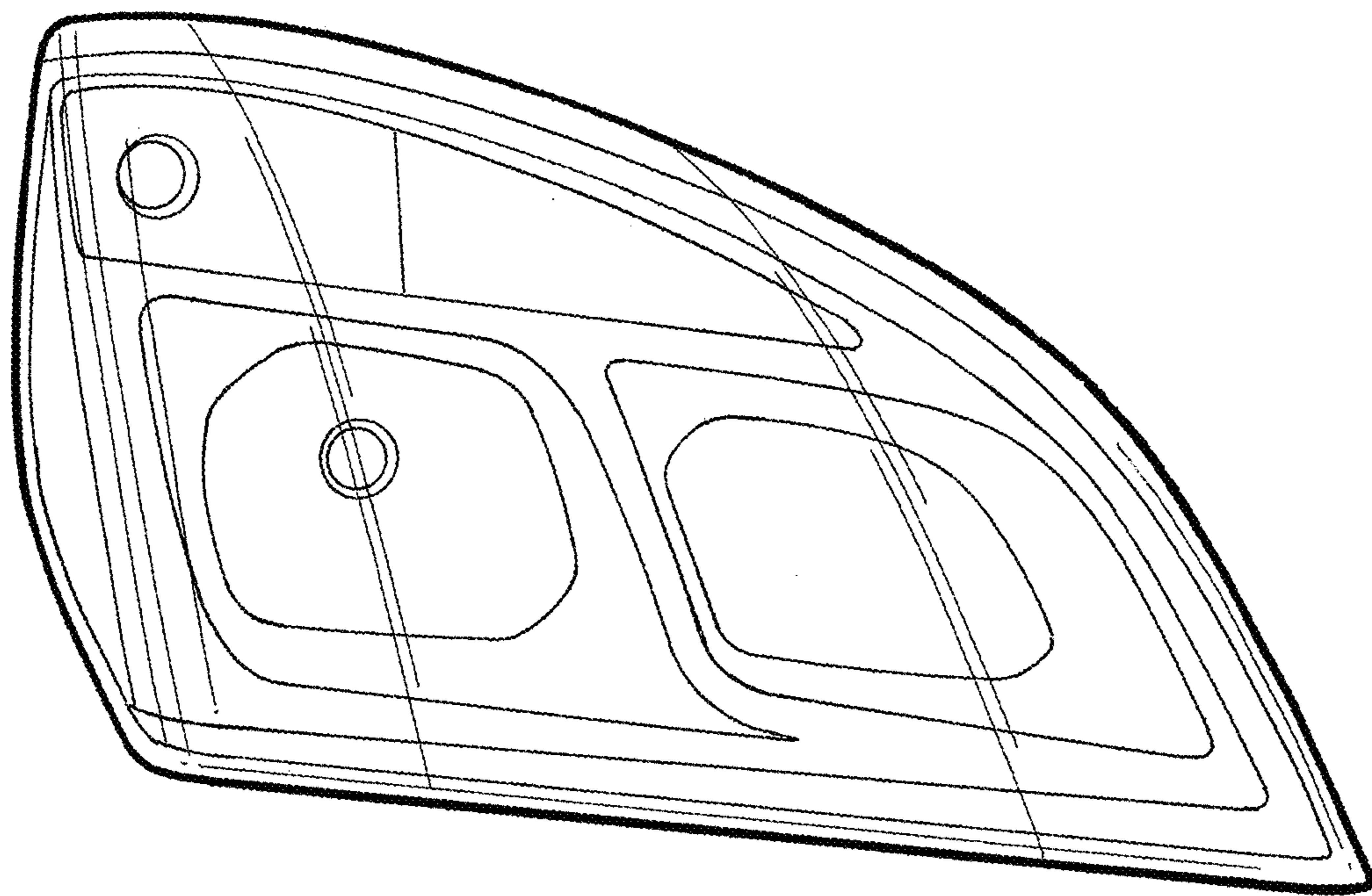


FIG. 7

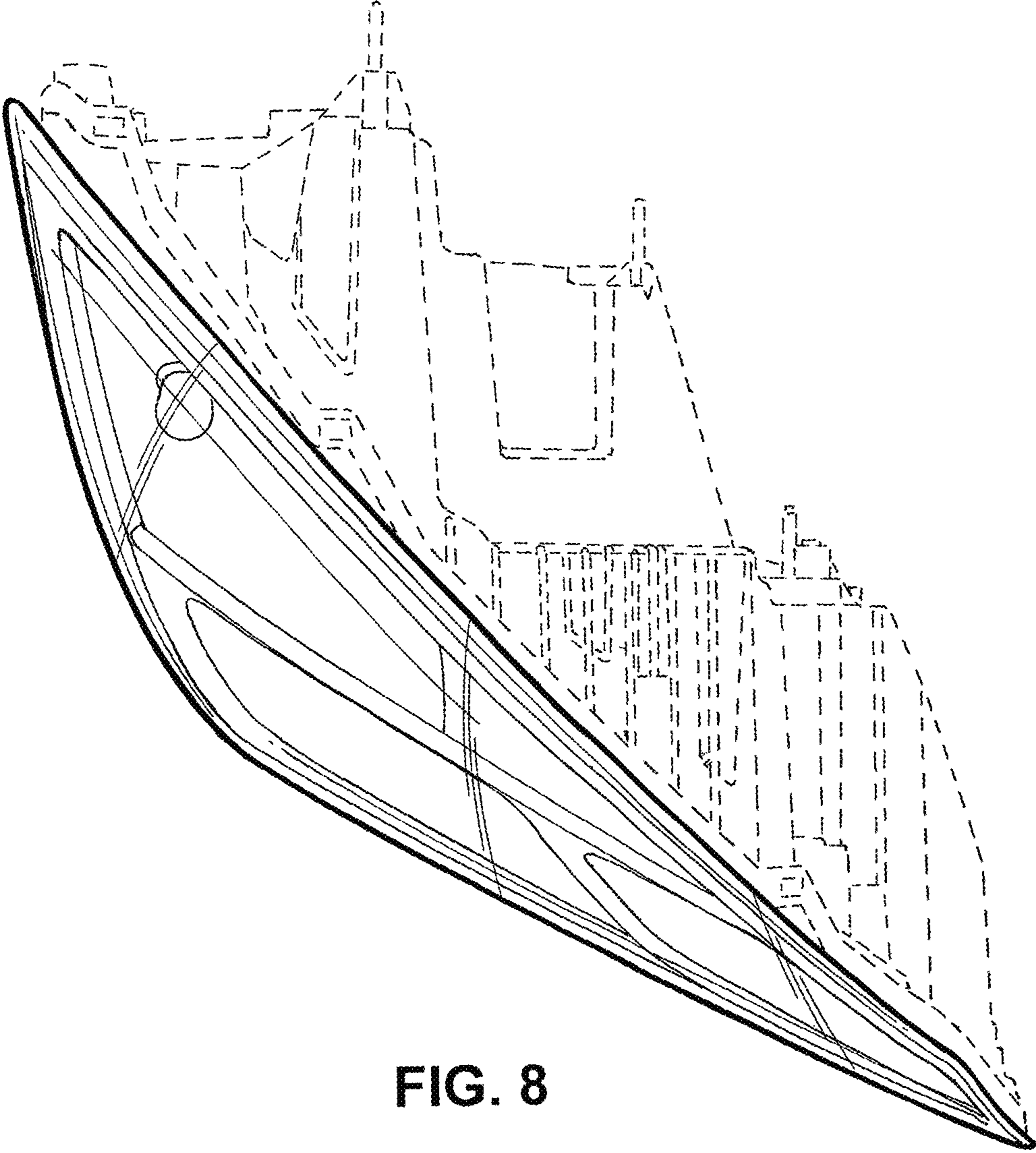


FIG. 8