



US00D824554S

(12) **United States Design Patent** (10) **Patent No.:** **US D824,554 S**
Gueler et al. (45) **Date of Patent:** **** Jul. 31, 2018**

(54) **VEHICLE TAIL LIGHT**

(71) Applicant: **Ford Global Technologies, LLC**,
Dearborn, MI (US)
(72) Inventors: **Murat Gueler**, Cologne (DE); **Thomas Morel**, Dusseldorf (DE); **Uwe Pulver**,
Cologne (DE); **George Saridakis**,
Edinburgh (GB); **Wolfgang Gotschke**,
Cologne (DE)
(73) Assignee: **Ford Global Technologies, LLC**,
Dearborn, MI (US)

(**) Term: **15 Years**

(21) Appl. No.: **29/604,337**

(22) Filed: **May 17, 2017**

(30) **Foreign Application Priority Data**

Nov. 22, 2016 (DE) 40 2016 101 400

(51) **LOC (11) Cl.** **26-06**

(52) **U.S. Cl.**
USPC **D26/28**

(58) **Field of Classification Search**
USPC D26/28-36; 362/80-83, 267-269,
362/459-468, 475-478, 485-487
CPC F21S 48/00; F21S 48/10; F21S 48/115;
F21S 48/225; F21S 48/1233; F21S
48/1266; F21S 48/1388; F21S 48/2268;
F21V 21/04

See application file for complete search history.

(56) **References Cited**

U.S. PATENT DOCUMENTS

D498,013 S *	11/2004	Pfeiffer	D26/28
D523,976 S *	6/2006	Pfeiffer	D26/28
D539,450 S *	3/2007	Pfeiffer	D26/28
D549,363 S *	8/2007	Pfeiffer	D26/28
D580,572 S	11/2008	Lamm		
D592,775 S	5/2009	George		
D606,683 S	12/2009	George		
D686,764 S *	7/2013	Hamilton	D26/28
D722,711 S	2/2015	Gotschke		

* cited by examiner

Primary Examiner — Marcus Jackson

(74) *Attorney, Agent, or Firm* — James Dottavio

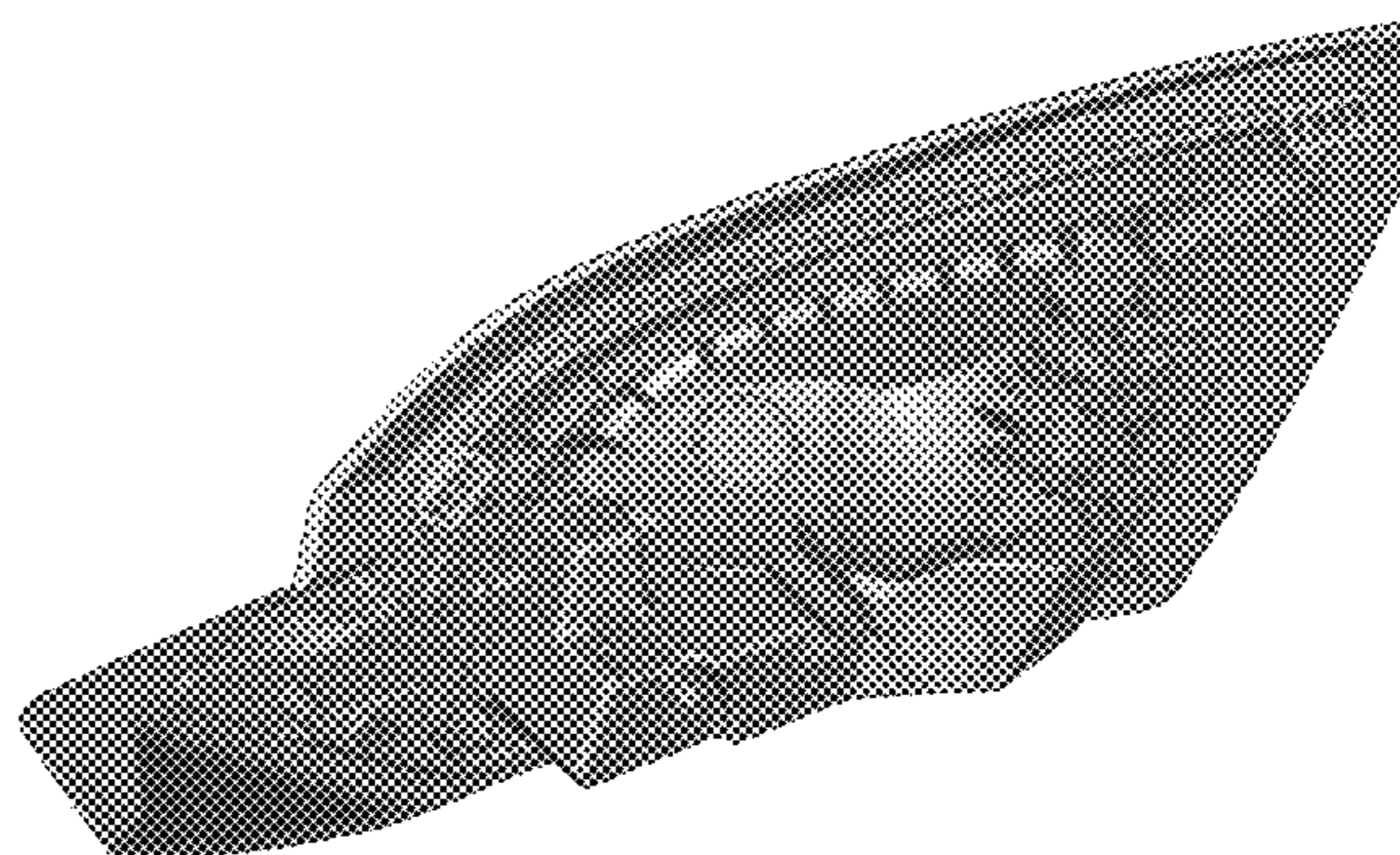
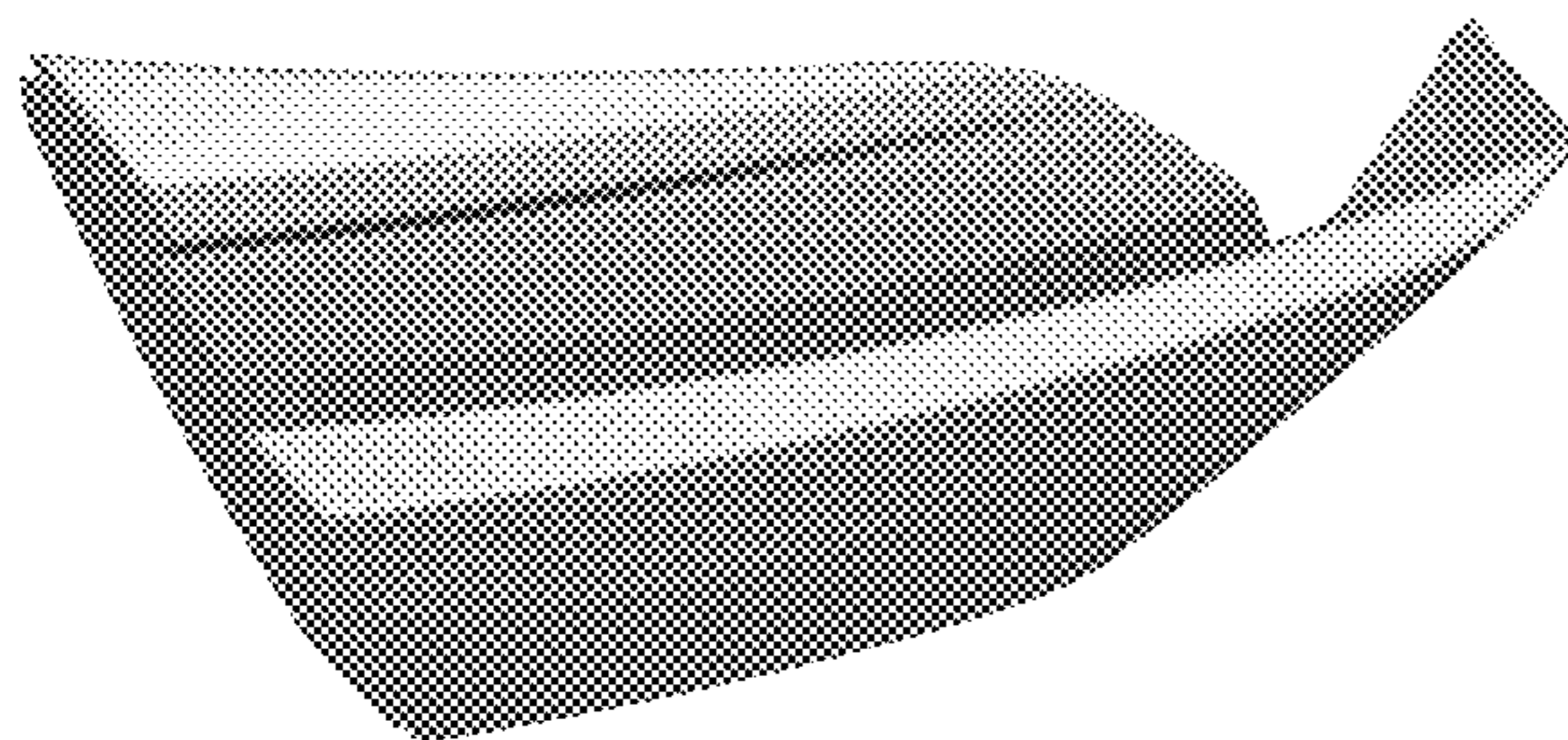
(57) **CLAIM**

The ornamental design for vehicle tail light, as shown and described.

DESCRIPTION

FIG. 1 is a top and front perspective view a left vehicle tail light, showing our new design;
FIG. 2 is a bottom and front perspective view thereof;
FIG. 3 is a top and rear perspective view thereof;
FIG. 4 is a front elevational view thereof;
FIG. 5 is a rear elevational view thereof;
FIG. 6 is a left side elevational view thereof;
FIG. 7 is a right side elevational view thereof;
FIG. 8 is a top plan view thereof; and,
FIG. 9 is a bottom plan view thereof.

1 Claim, 9 Drawing Sheets



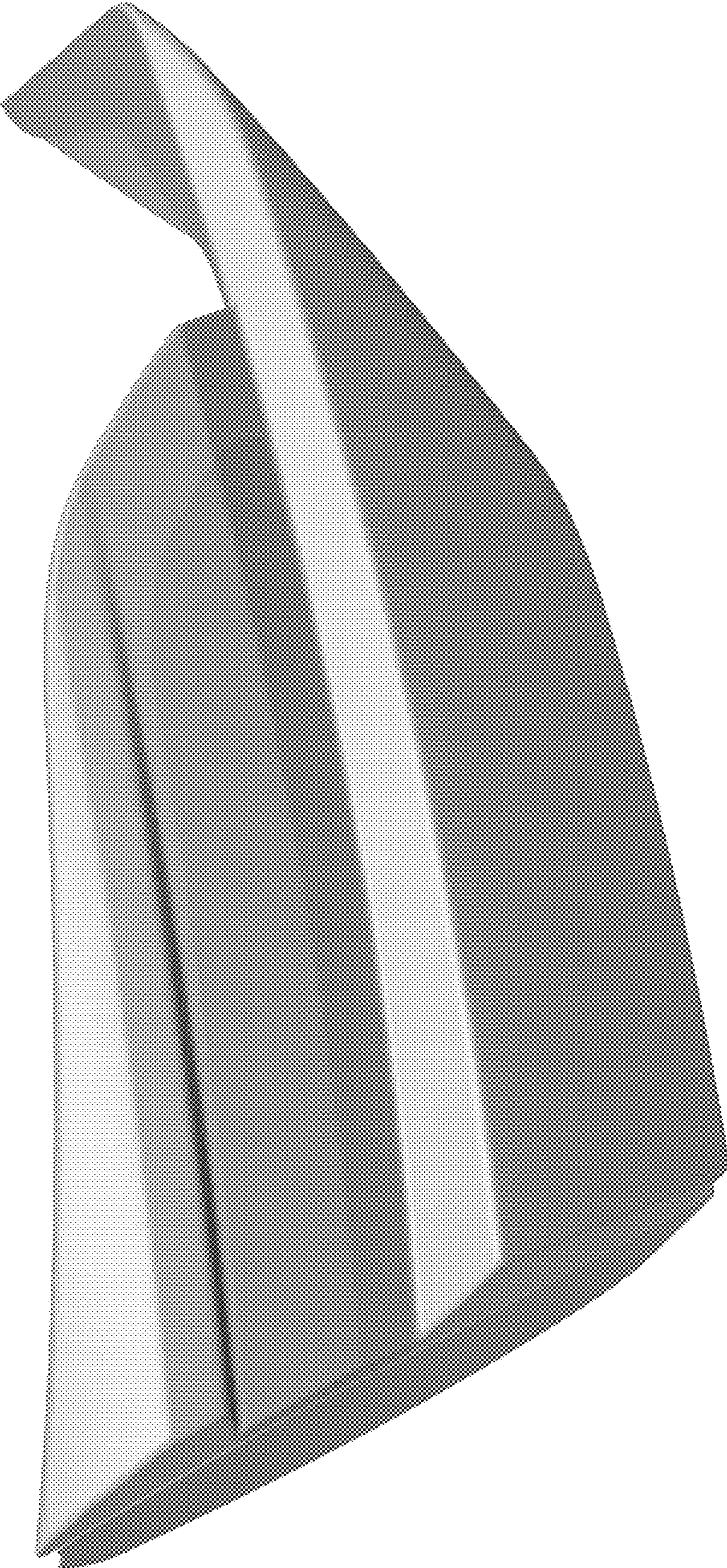


Figure 1

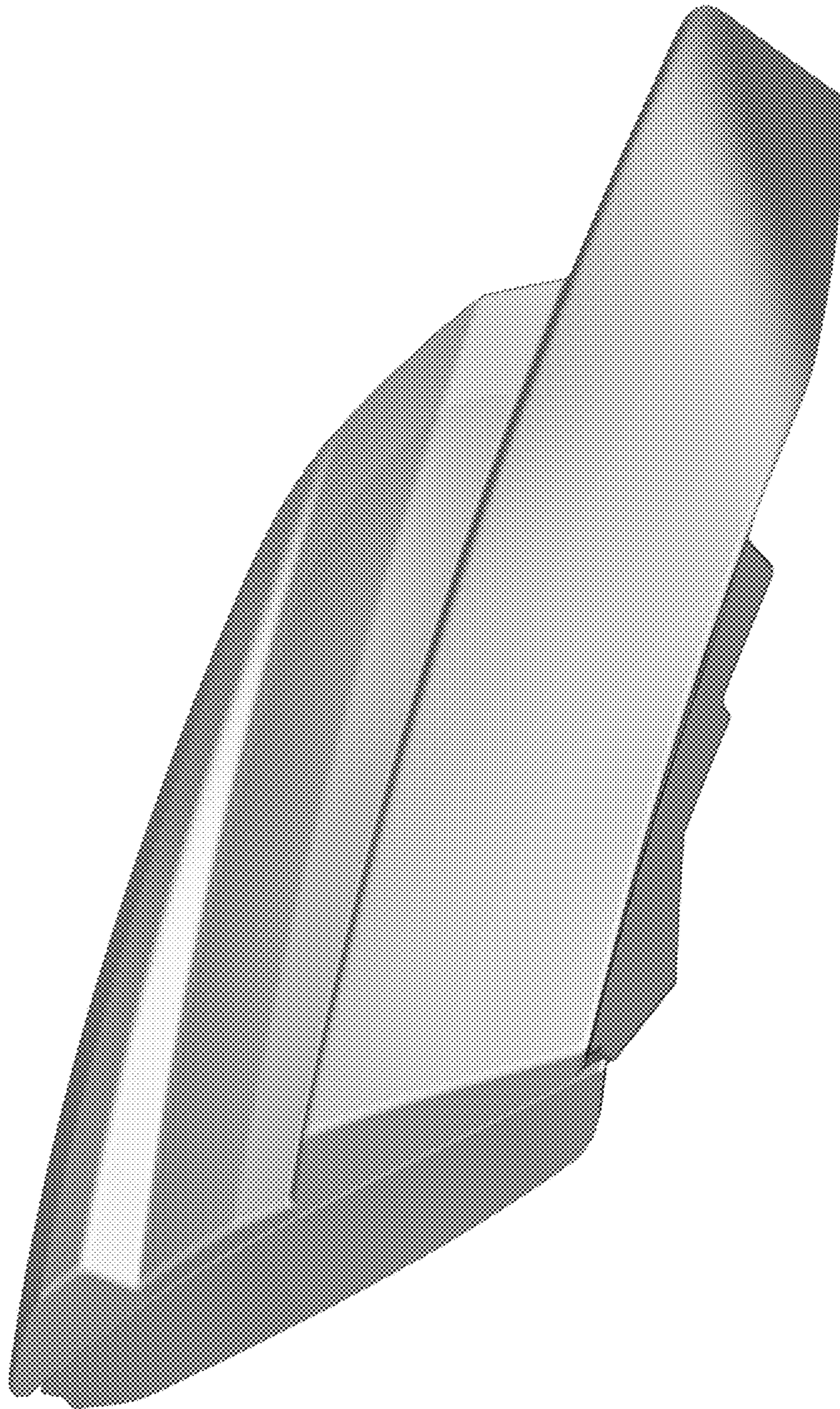


Figure 2

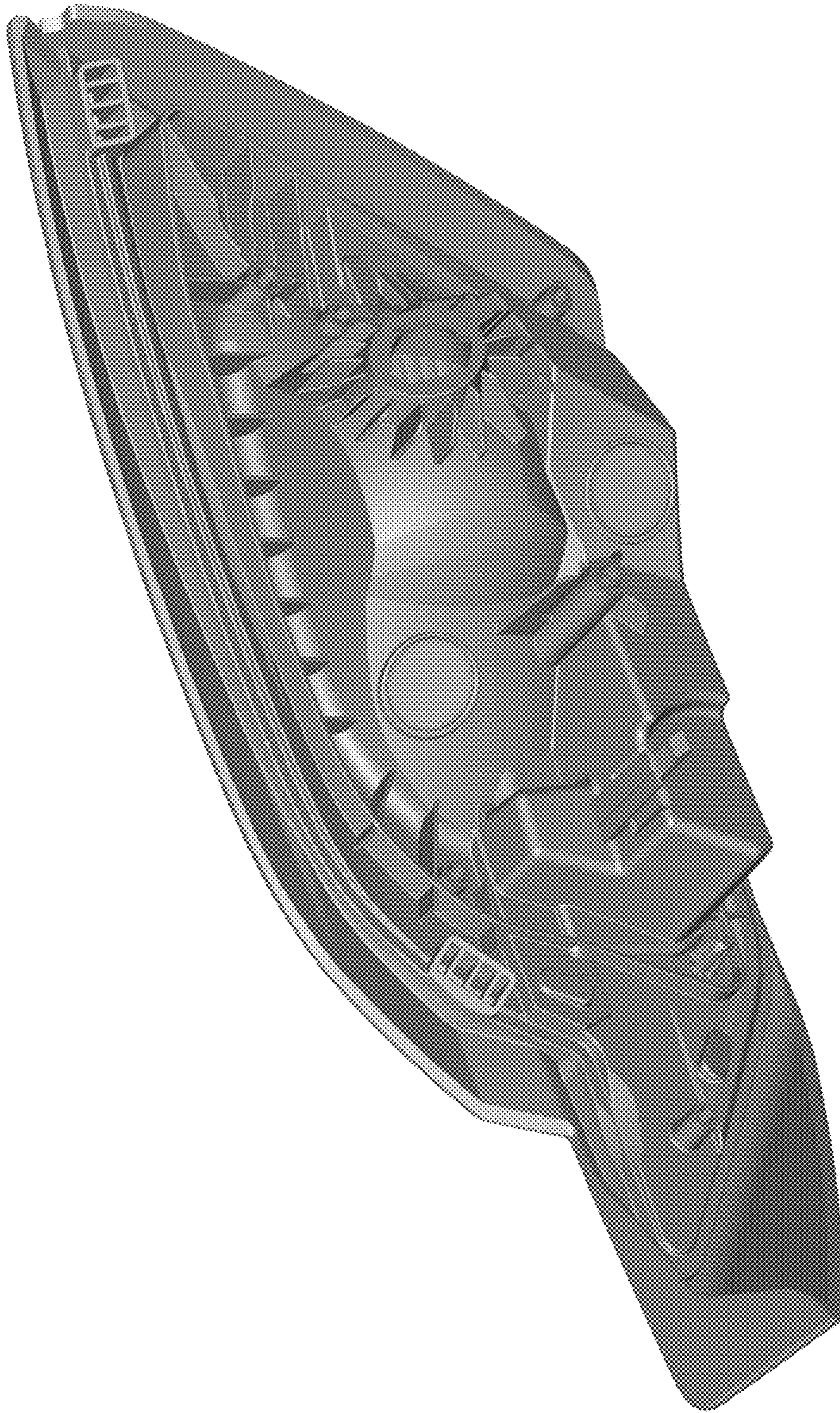


Figure 3

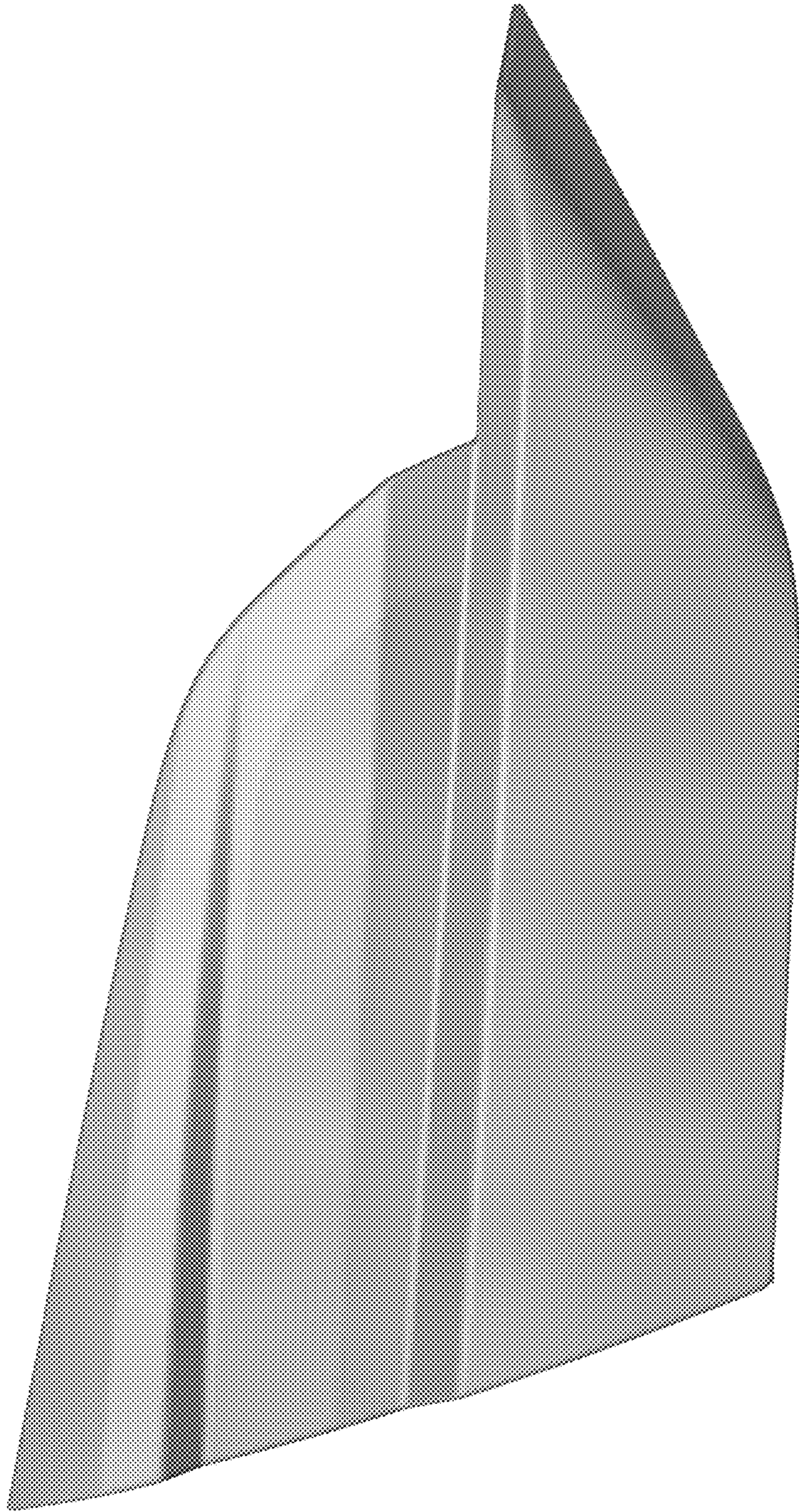


Figure 4

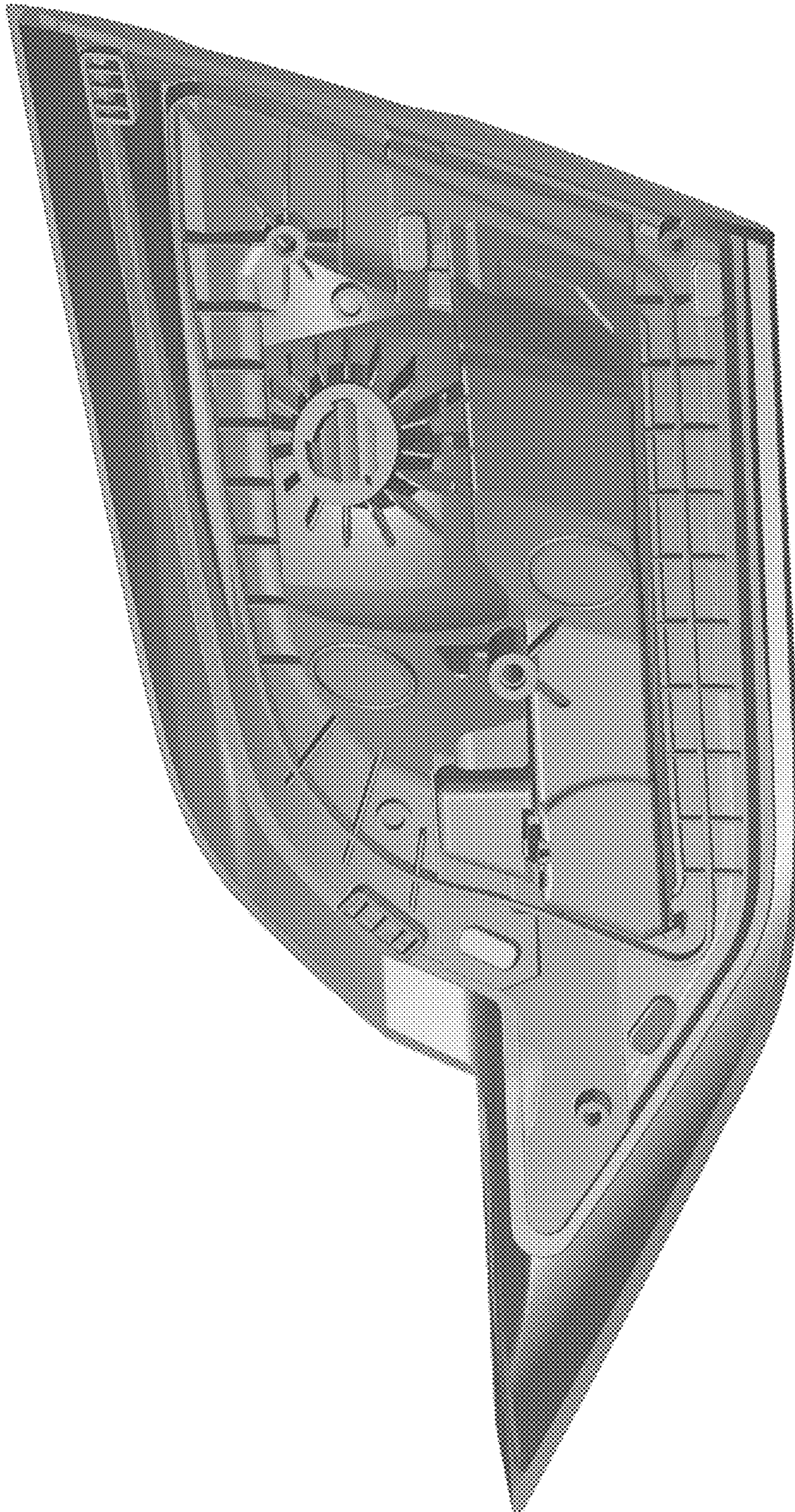


Figure 5

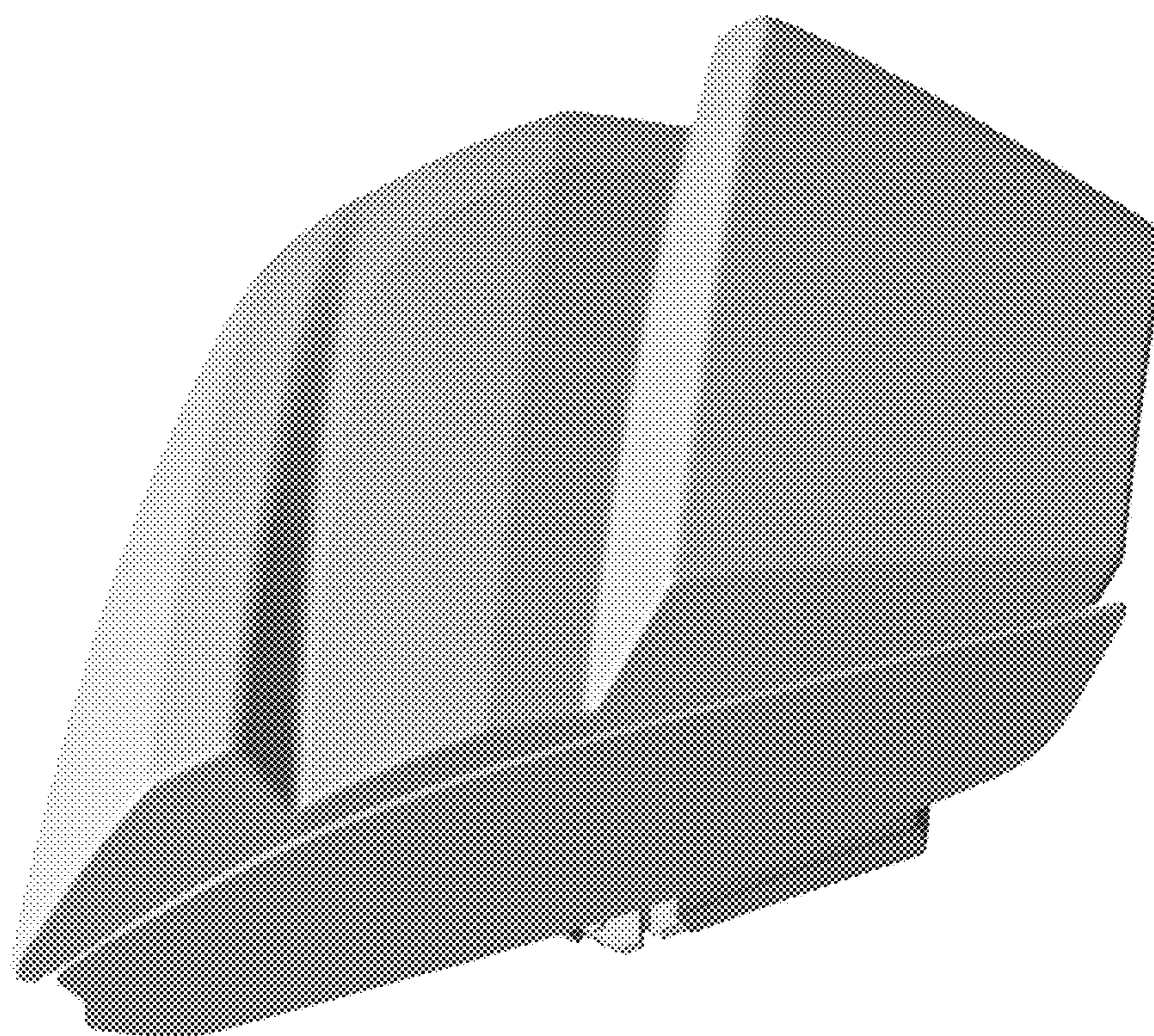


Figure 6

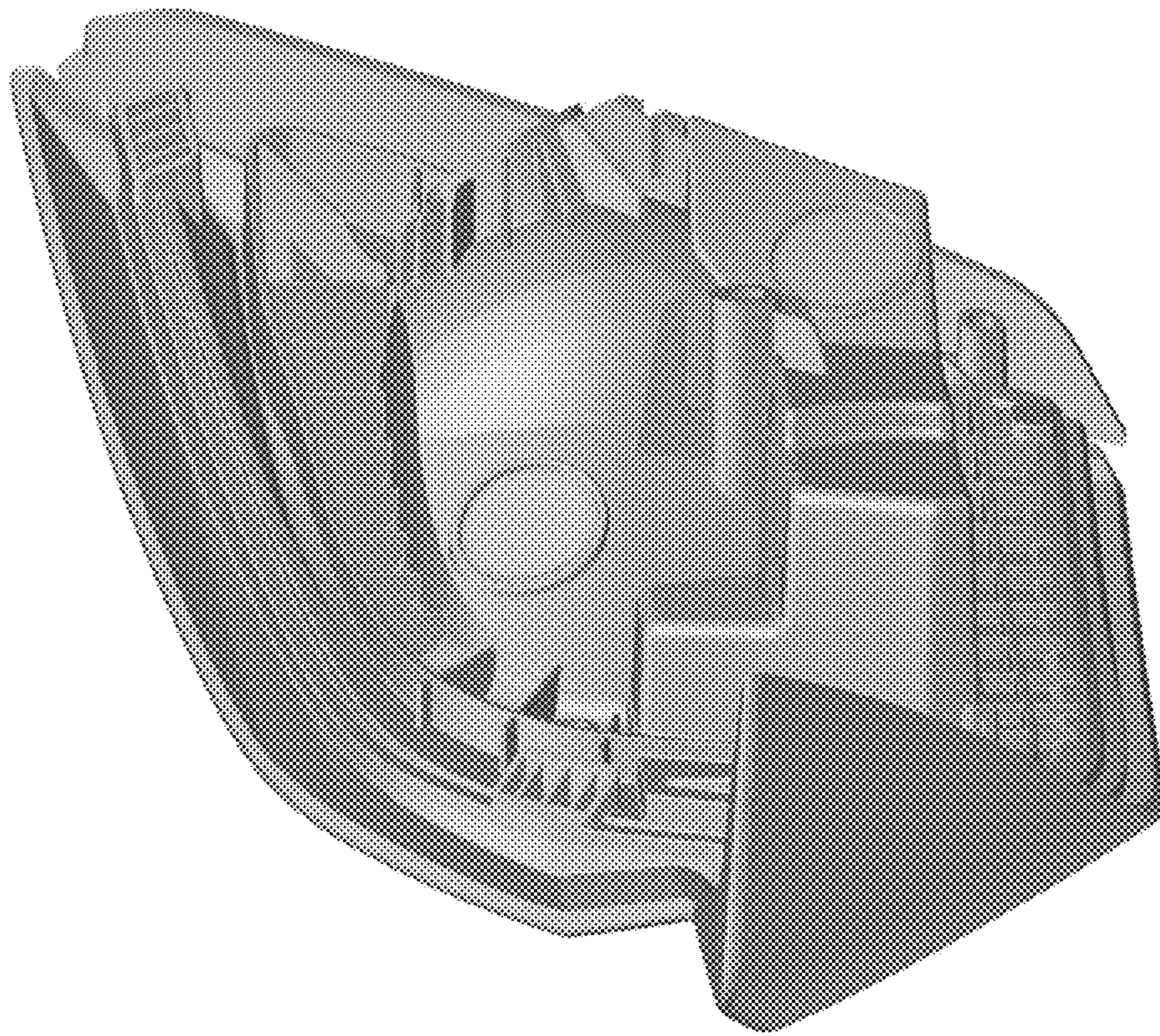


Figure 7

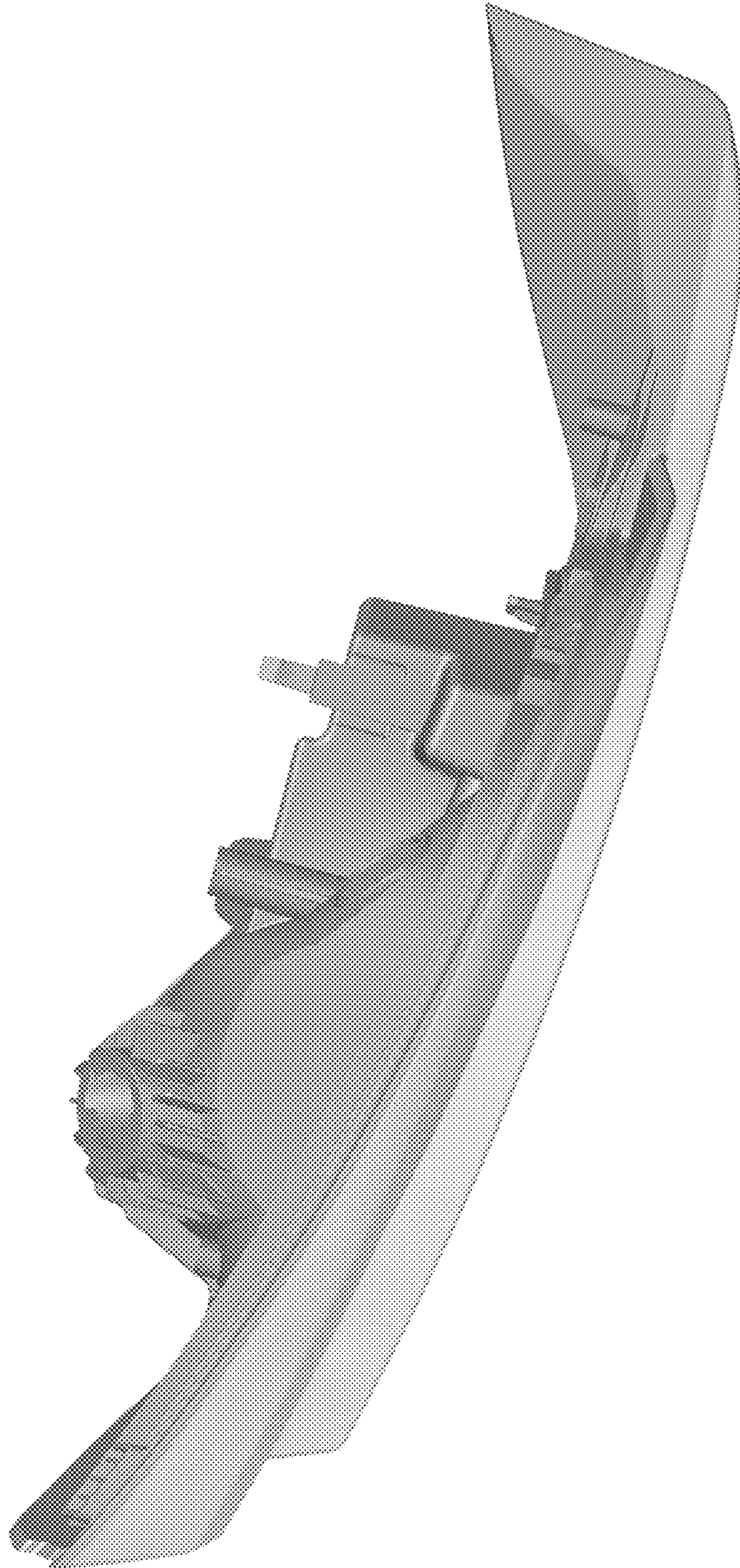


Figure 8

Figure 9

