



US00D824553S

(12) **United States Design Patent** (10) **Patent No.:** **US D824,553 S**  
**Morelock** (45) **Date of Patent:** **\*\* Jul. 31, 2018**

(54) **MOTORCYCLE TAILLIGHT**

(56) **References Cited**

(71) Applicant: **Custom Dynamics LLC**, Youngsville, NC (US)

U.S. PATENT DOCUMENTS

(72) Inventor: **David Morelock**, Escondido, CA (US)

D552,274 S	*	10/2007	Tanaka	.....	D26/28
D568,501 S	*	5/2008	Nakazawa	.....	D26/28
D569,015 S	*	5/2008	Tsukui	.....	D26/28
D573,734 S	*	7/2008	Watanabe	.....	D26/28
D617,020 S	*	6/2010	Ishiguri	.....	D26/28

(73) Assignee: **CUSTOM DYNAMICS LLC**, Youngsville, NC (US)

\* cited by examiner

(\*\*) Term: **15 Years**

*Primary Examiner* — Marcus Jackson

(21) Appl. No.: **29/601,320**

(74) *Attorney, Agent, or Firm* — Michael Best & Friedrich LLP

(22) Filed: **Apr. 21, 2017**

(57) **CLAIM**

(51) **LOC (11) Cl.** ..... **26-06**

The ornamental design for a motorcycle taillight, as shown and described.

(52) **U.S. Cl.**  
USPC ..... **D26/28**

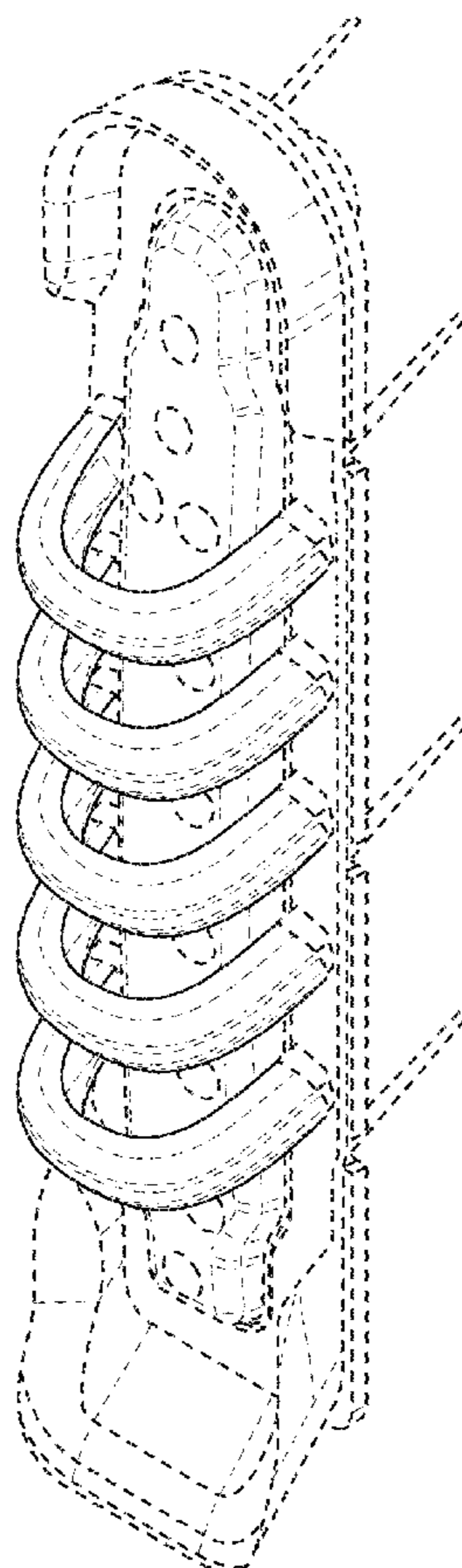
**DESCRIPTION**

(58) **Field of Classification Search**  
USPC ..... D26/28-36; 362/80-83, 267-269, 362/459-468, 475-478, 485-487  
CPC ..... F21S 48/00; F21S 48/10; F21S 48/115; F21S 48/225; F21S 48/1233; F21S 48/1266; F21S 48/1388; F21S 48/2268; F21V 21/04; B60Q 9/13; B60Q 9/135; B60Q 9/1375

FIG. 1 is a perspective view of the motorcycle taillight. FIG. 2 is a front elevational view of the motorcycle taillight. FIG. 3 is a side elevational view of the motorcycle taillight with the opposite side being a mirror image of the same. FIG. 4 is a top plan view of the motorcycle taillight; and, FIG. 5 is a bottom view of the motorcycle taillight. The back forms no part of the claimed design. The broken lines form no part of the claimed design.

See application file for complete search history.

**1 Claim, 4 Drawing Sheets**



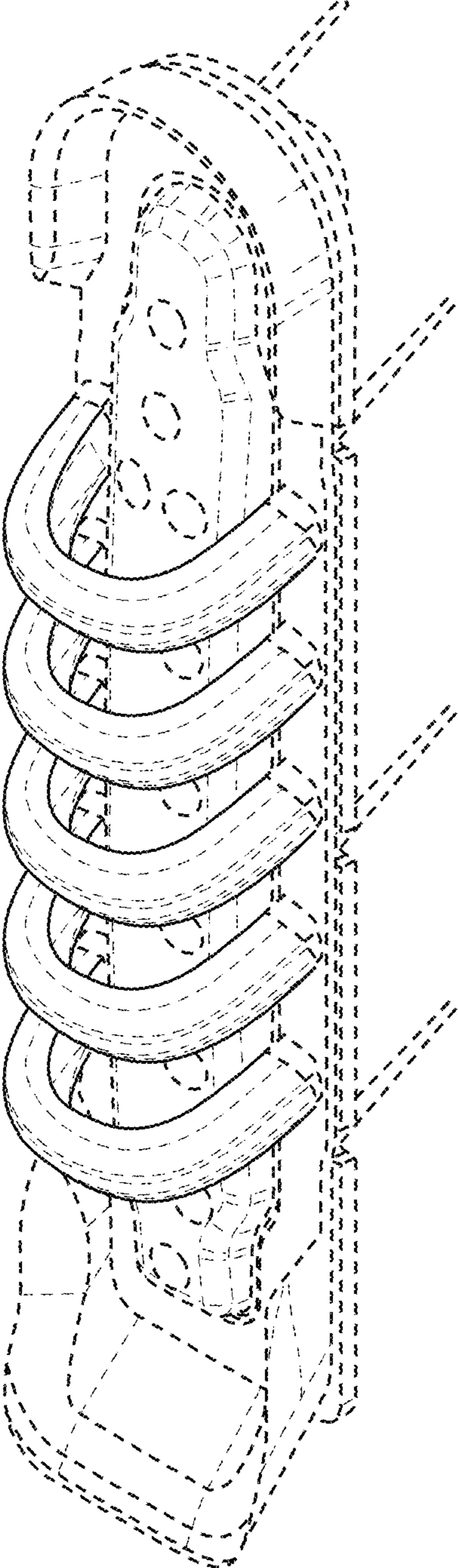
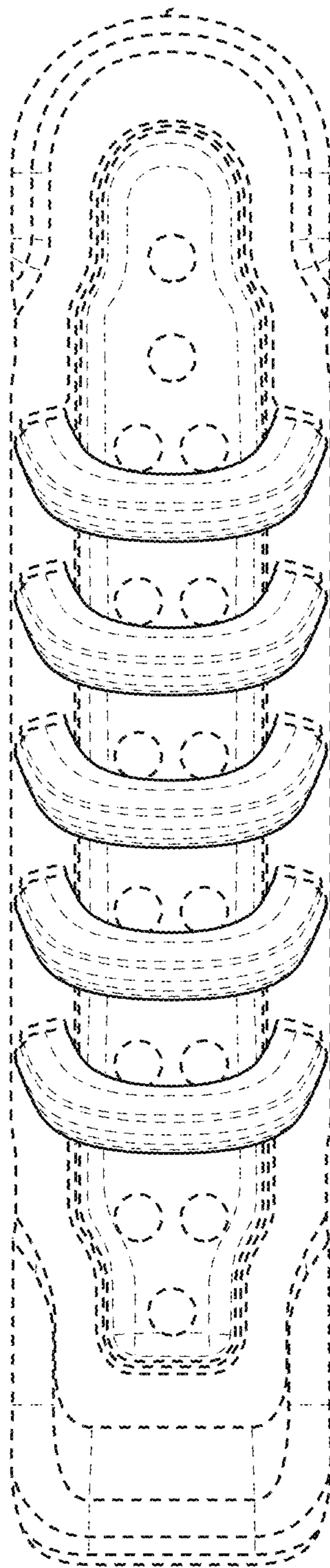
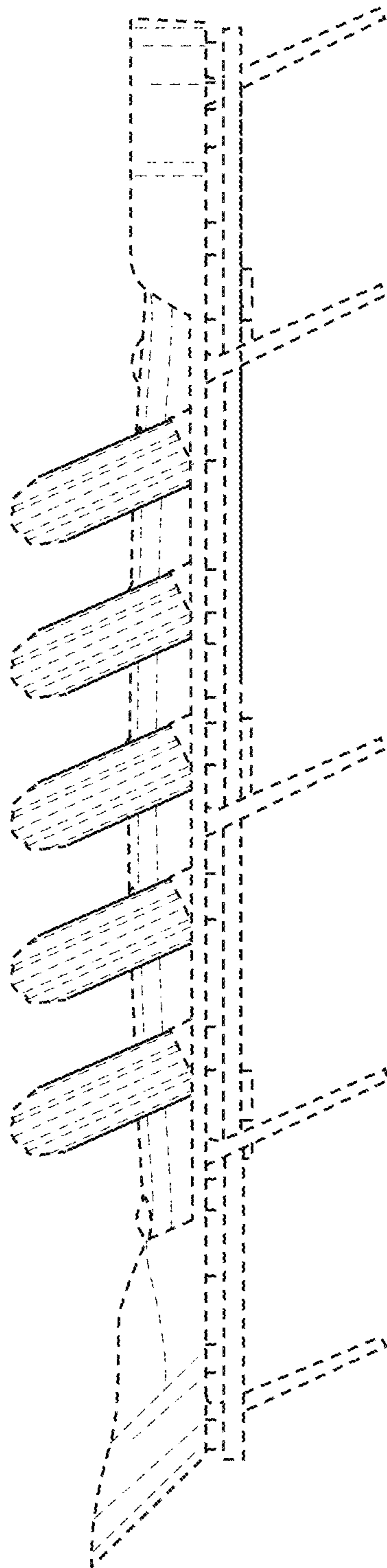


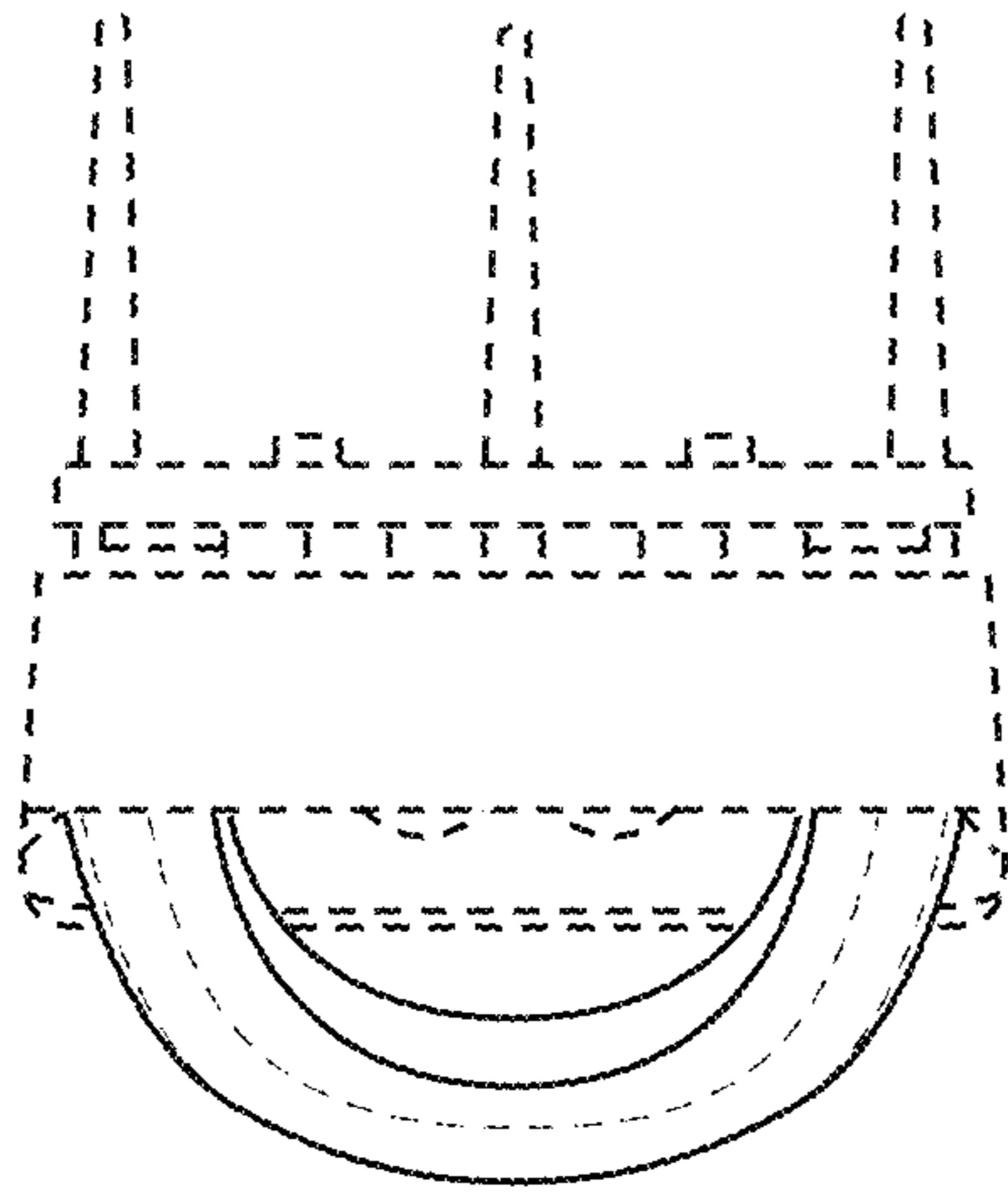
FIG. 1



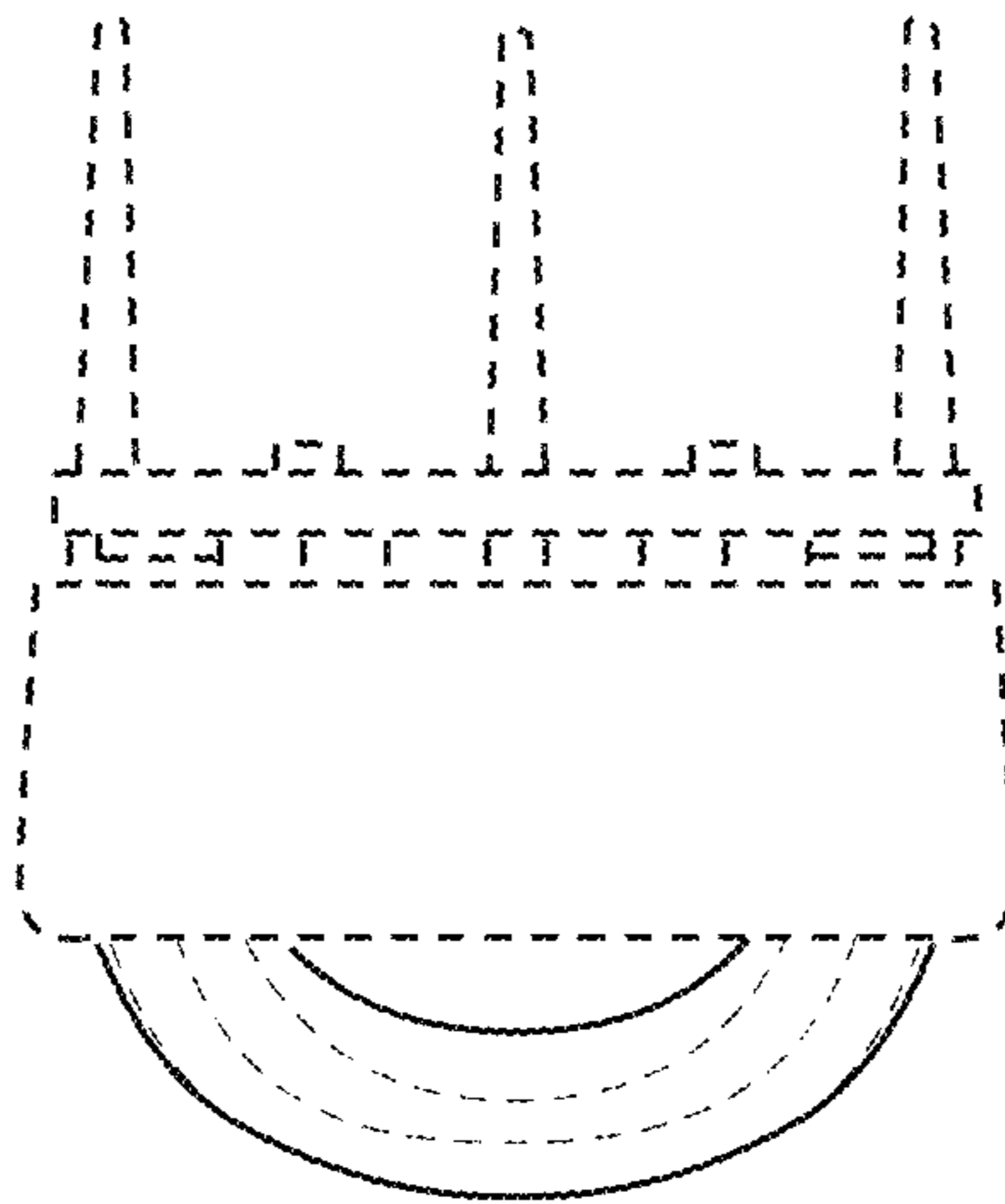
**FIG. 2**



**FIG. 3**



**FIG. 4**



**FIG. 5**