



US00D824550S

(12) **United States Design Patent** (10) **Patent No.:** **US D824,550 S**
Bobel (45) **Date of Patent:** **** Jul. 31, 2018**

(54) **LED TUBE LIGHT FIXTURE**
(71) Applicant: **Neptun Light, Inc.**, Lake Forest, IL (US)
(72) Inventor: **Andrzej Bobel**, Lake Forest, IL (US)
(**) Term: **15 Years**
(21) Appl. No.: **29/599,858**
(22) Filed: **Apr. 7, 2017**
(51) **LOC (11) Cl.** **26-04**
(52) **U.S. Cl.**
USPC **D26/3**
(58) **Field of Classification Search**
USPC D26/1-4; 313/313, 315, 316, 317, 318, 313/493; 315/52, 53, 56, 57, 58
CPC H01R 5/00; H01R 13/46; H01R 13/514; H01R 31/048; H01R 31/02; H01J 5/00; H01J 5/16; H01J 15/00; H01J 5/48; H01J 5/50; H01J 19/54; F21V 21/04
See application file for complete search history.

D594,999 S * 6/2009 Uchida D26/3
D610,724 S * 2/2010 Chiang D26/3
D662,236 S * 6/2012 Matsushita D26/3

* cited by examiner

Primary Examiner — Marcus Jackson
(74) *Attorney, Agent, or Firm* — Kundu PLLC

(57) **CLAIM**

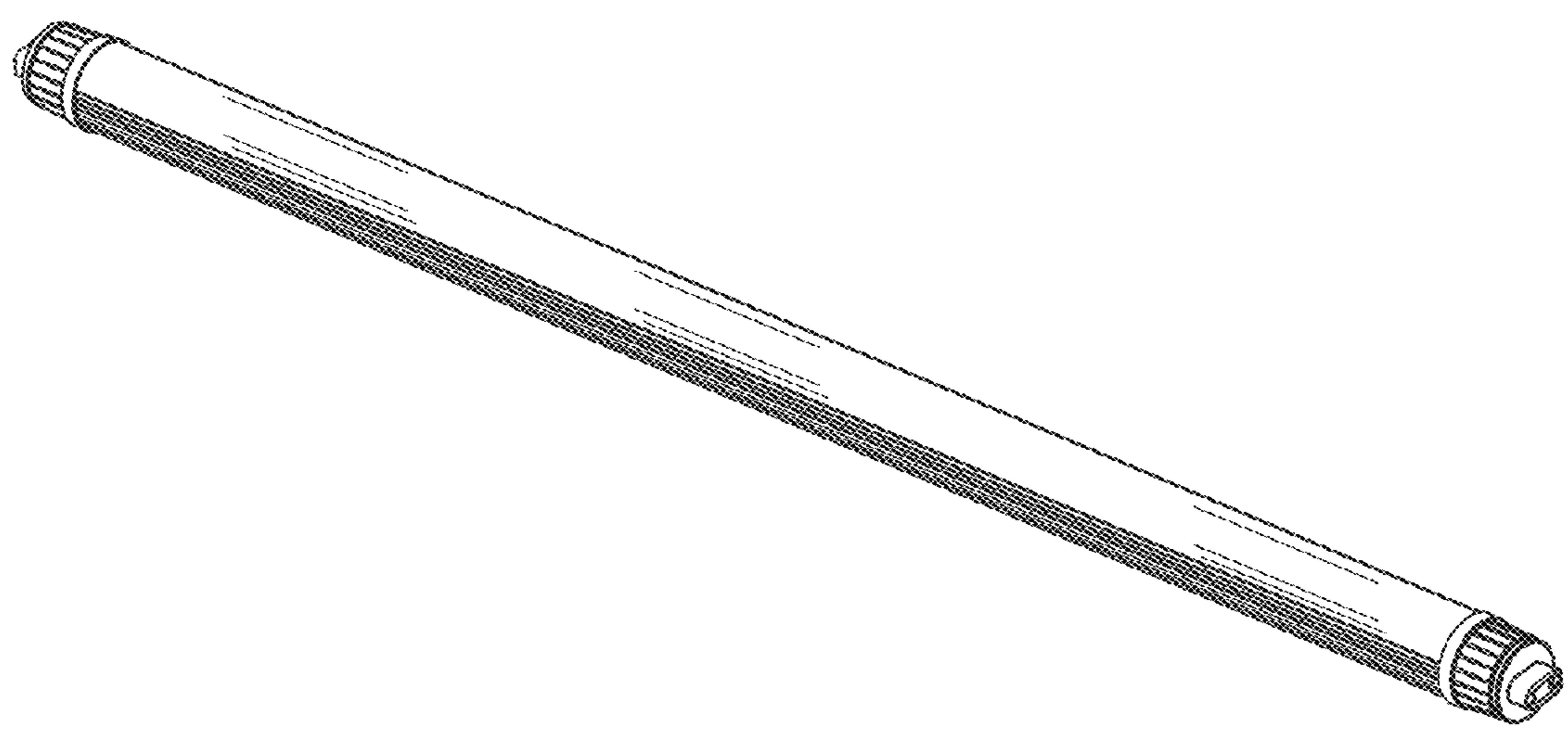
The ornamental design for a LED tube light fixture, as shown and described.

DESCRIPTION

FIG. 1 is a front side view of the light fixture showing the claimed design;
FIG. 2 is a left side view thereof;
FIG. 3 is a right side view thereof;
FIG. 4 is a top side view thereof;
FIG. 5 is a bottom side view thereof;
FIG. 6 is a top perspective view thereof; and,
FIG. 7 is a bottom perspective view thereof.
The broken line disclosure represents unclaimed portions of the light fixture.

1 Claim, 7 Drawing Sheets

(56) **References Cited**
U.S. PATENT DOCUMENTS
D477,093 S * 7/2003 Moriyama D26/3
D584,429 S * 1/2009 Pei D26/3



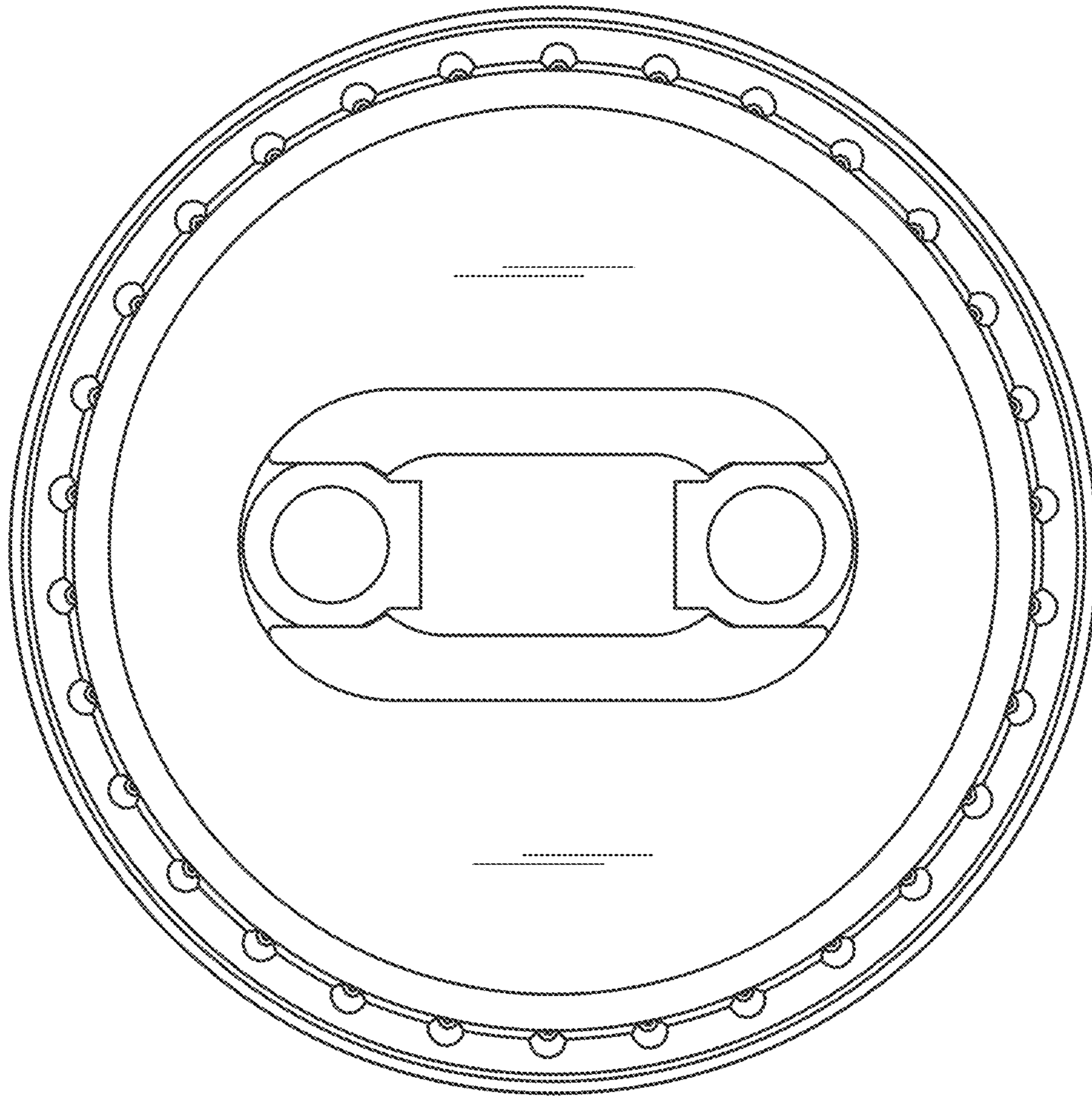


Fig. 1

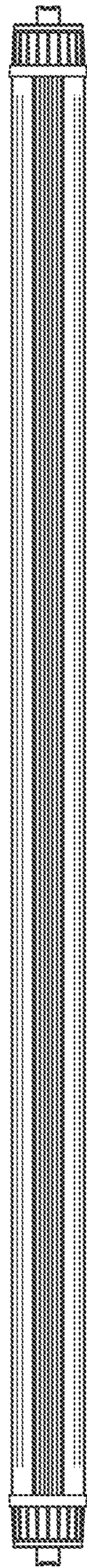


Fig. 2

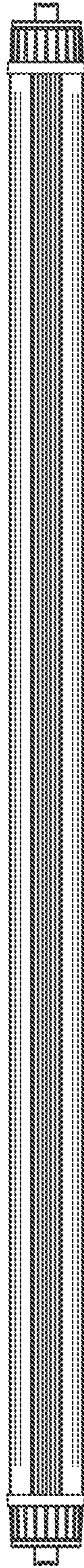


Fig. 3

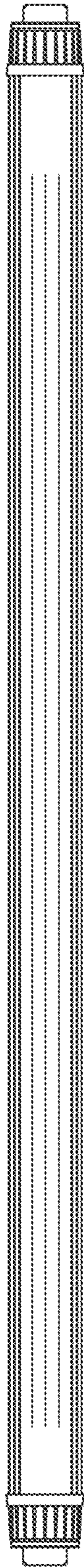


Fig. 4

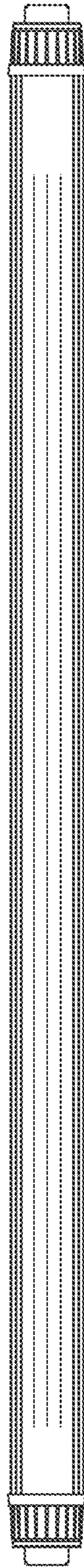


Fig. 5

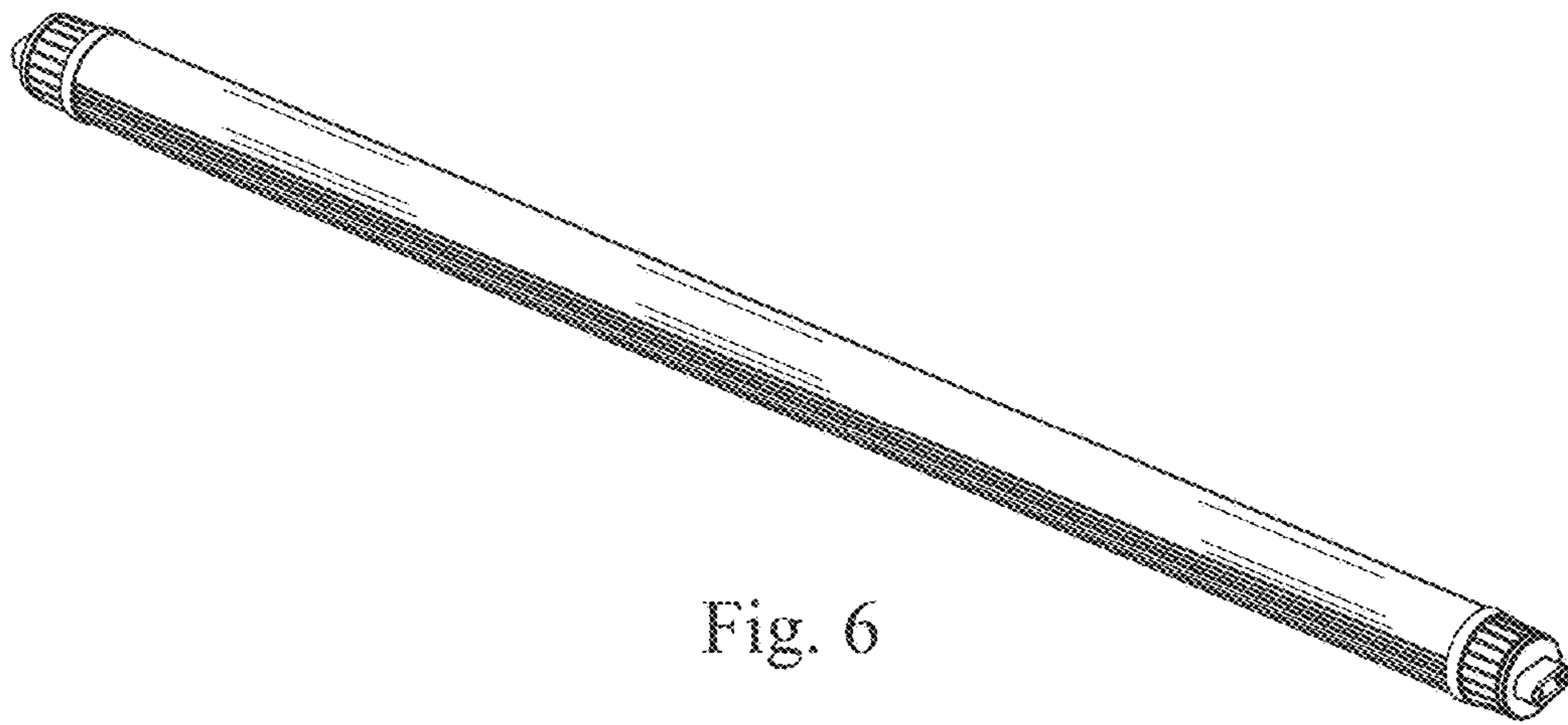


Fig. 6

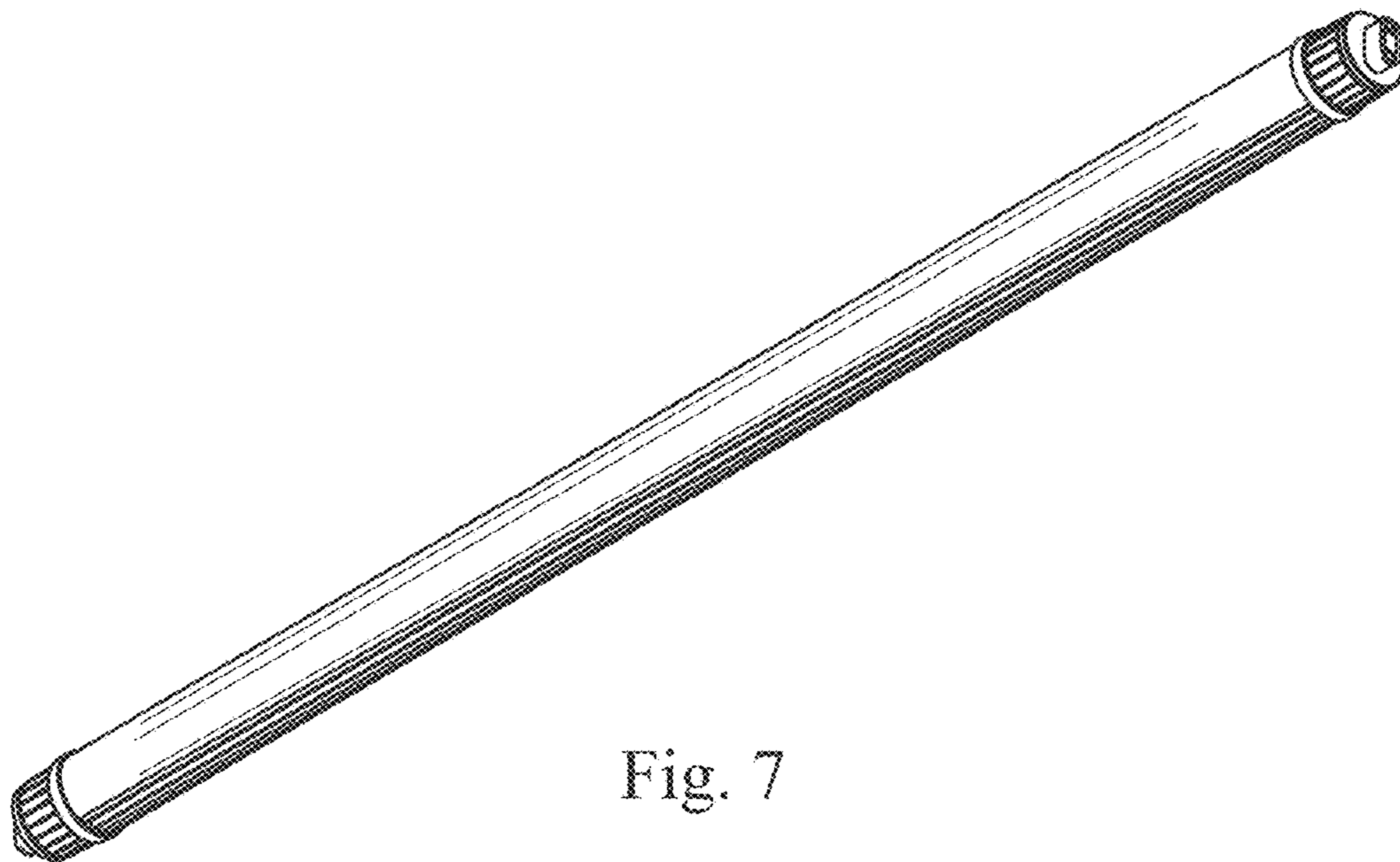


Fig. 7