



US00D824548S

(12) **United States Design Patent**  
**Bobel**

(10) **Patent No.:** **US D824,548 S**

(45) **Date of Patent:** **\*\* Jul. 31, 2018**

(54) **LED TUBE LIGHT FIXTURE**

D601,726 S \* 10/2009 Mollaert ..... D26/3  
D610,724 S \* 2/2010 Chiang ..... D26/3  
D662,236 S \* 6/2012 Matsushita ..... D26/3

(71) Applicant: **Neptun Light, Inc.**, Lake Forest, IL  
(US)

\* cited by examiner

(72) Inventor: **Andrzej Bobel**, Lake Forest, IL (US)

*Primary Examiner* — Marcus Jackson

(\*\*) Term: **15 Years**

(74) *Attorney, Agent, or Firm* — Kundu PLLC

(21) Appl. No.: **29/599,359**

(57) **CLAIM**

(22) Filed: **Apr. 3, 2017**

The ornamental design for a LED tube light fixture, as shown and described.

(51) **LOC (11) Cl.** ..... **26-04**

(52) **U.S. Cl.**  
USPC ..... **D26/3**

(58) **Field of Classification Search**

**DESCRIPTION**

USPC ..... D26/1-4; 313/313, 315, 316, 317, 318,  
313/493; 315/52, 53, 56, 57, 58  
CPC ..... H01R 5/00; H01R 13/46; H01R 13/514;  
H01R 31/048; H01R 31/02; H01J 5/00;  
H01J 5/16; H01J 15/00; H01J 5/48; H01J  
5/50; H01J 19/54; F21V 5/00

FIG. 1 is a front side view of the LED tube light fixture showing the claimed design;  
FIG. 2 is a left side view thereof;  
FIG. 3 is a right side view thereof;  
FIG. 4 is a top side view thereof;  
FIG. 5 is a bottom side view thereof;  
FIG. 6 is a top perspective view thereof; and,  
FIG. 7 is a bottom perspective view thereof.

See application file for complete search history.

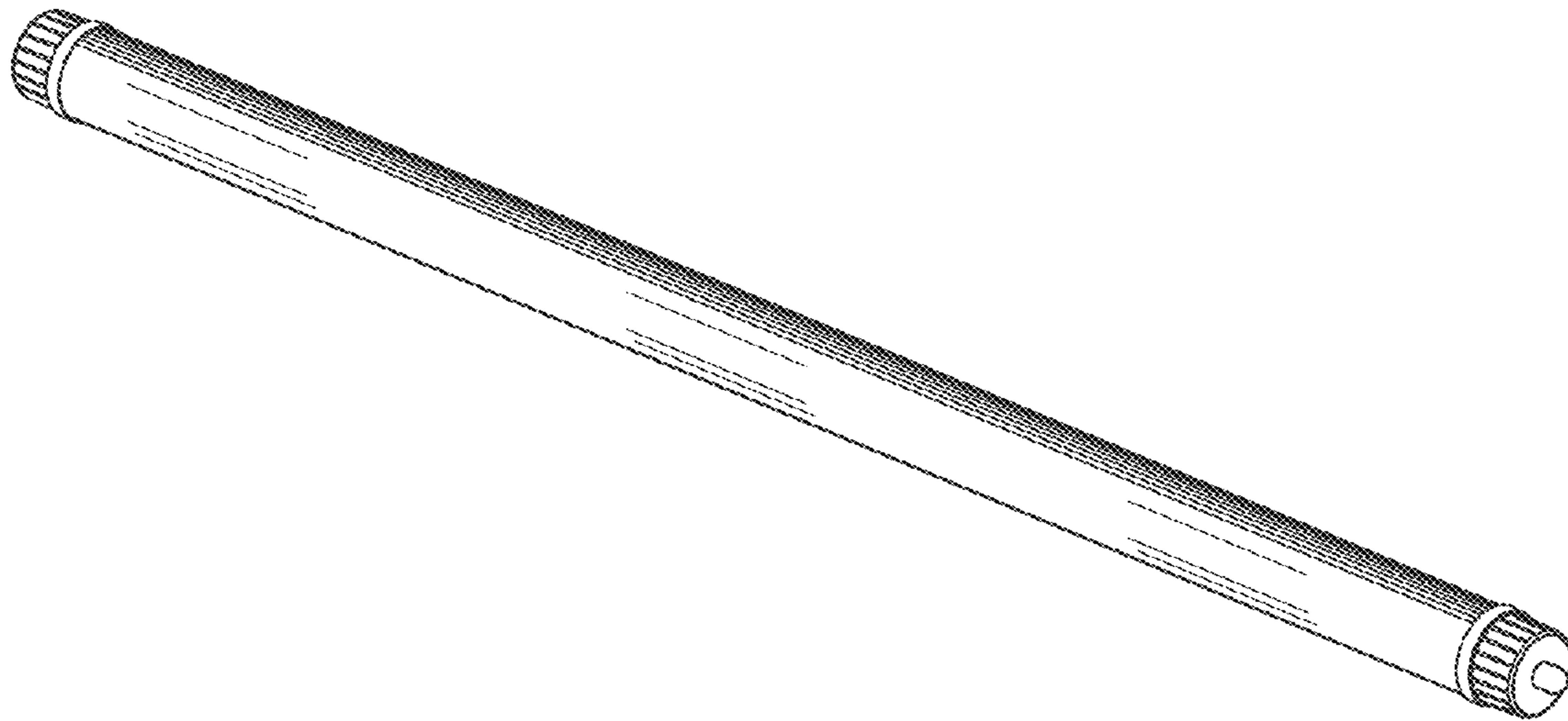
The broken line disclosure represents unclaimed portions of the LED tube light fixture.

(56) **References Cited**

**U.S. PATENT DOCUMENTS**

D477,093 S \* 7/2003 Moriyama ..... D26/3  
D584,429 S \* 1/2009 Pei ..... D26/3

**1 Claim, 7 Drawing Sheets**



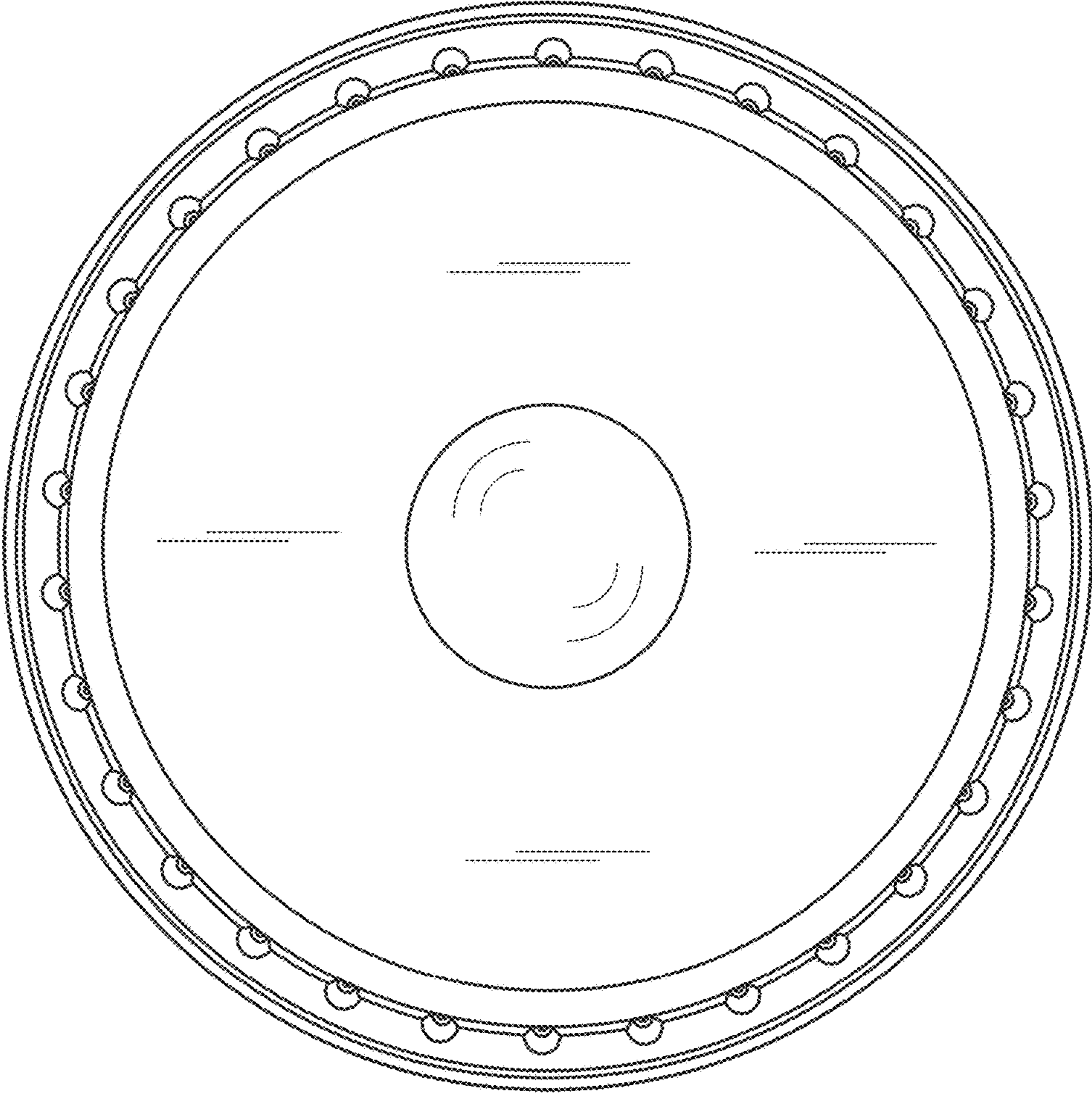


Fig. 1

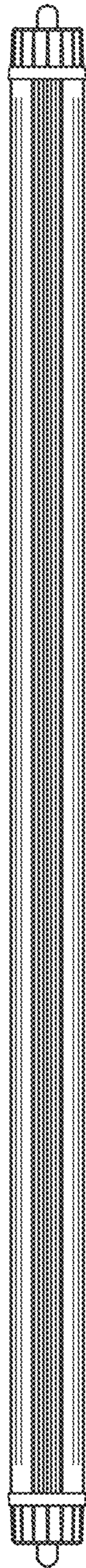


Fig. 2

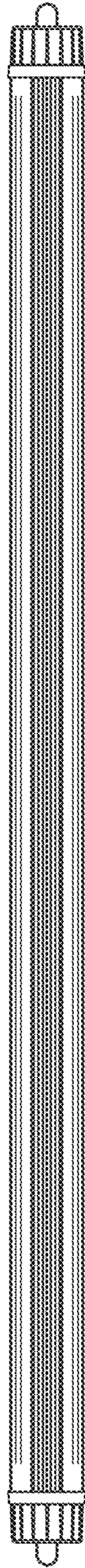


Fig. 3

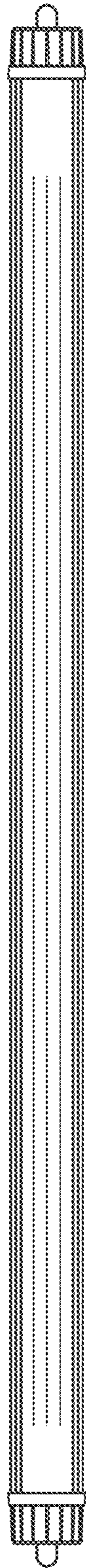


Fig. 4

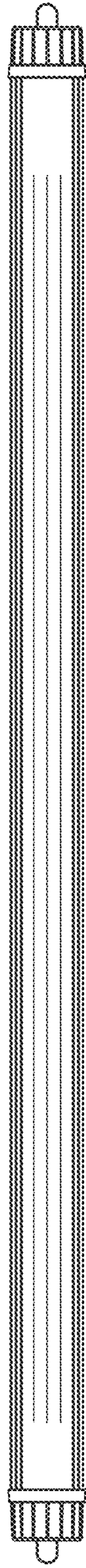


Fig. 5

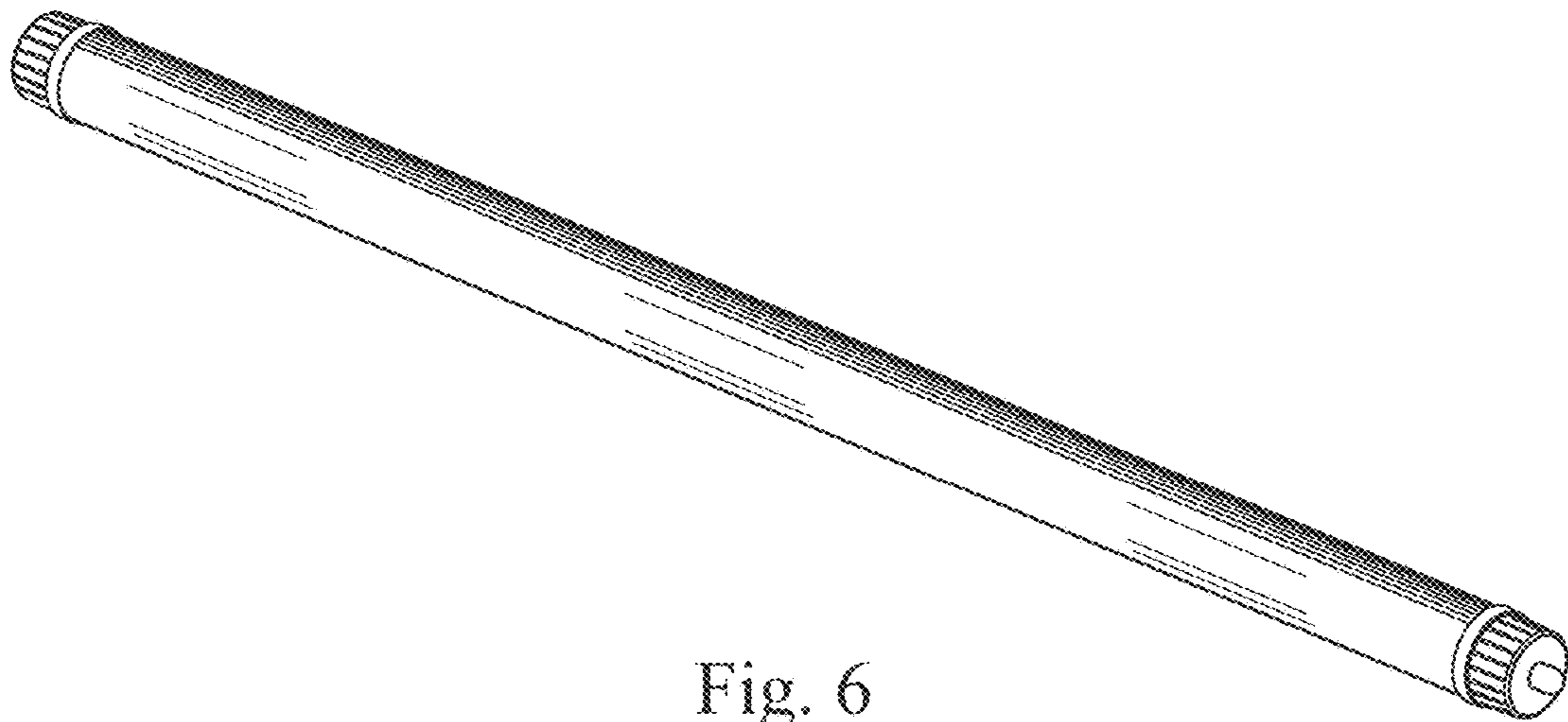


Fig. 6

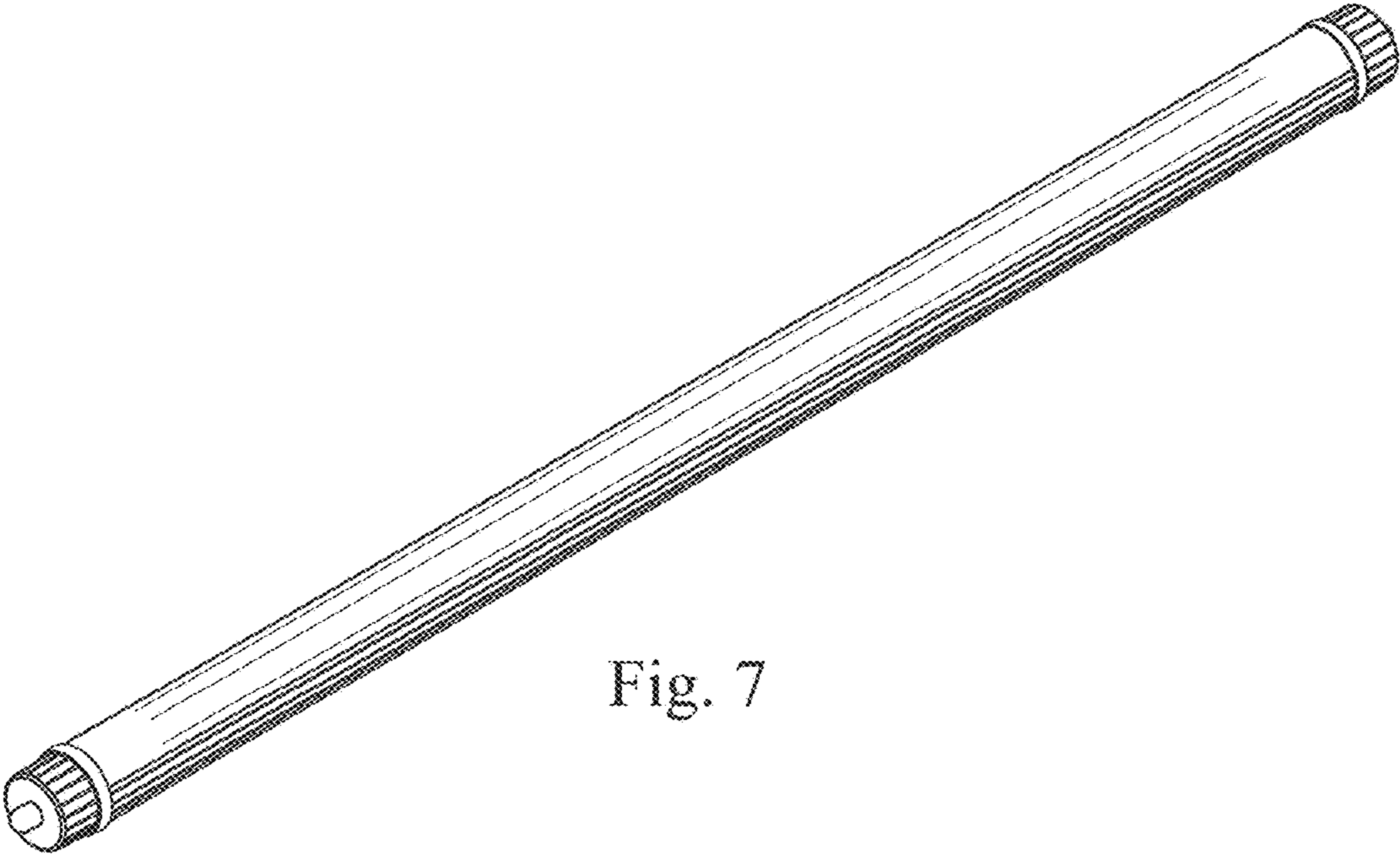


Fig. 7