



US00D824547S

(12) **United States Design Patent** (10) **Patent No.:** **US D824,547 S**
Azria et al. (45) **Date of Patent:** **** Jul. 31, 2018**

(54) **LIGHTING BULB**

(71) Applicants: **Max Azria**, West Hollywood, CA (US);
Robert M. McFarlane, Los Angeles,
CA (US); **Yasmine Hanane**, Los
Angeles, CA (US)

(72) Inventors: **Max Azria**, West Hollywood, CA (US);
Robert M. McFarlane, Los Angeles,
CA (US); **Yasmine Hanane**, Los
Angeles, CA (US)

(73) Assignee: **Clean Concept LLC**, West Hollywood,
CA (US)

(**) Term: **15 Years**

(21) Appl. No.: **29/597,655**

(22) Filed: **Mar. 17, 2017**

(51) **LOC (11) Cl.** **26-04**

(52) **U.S. Cl.**
USPC **D26/2**

(58) **Field of Classification Search**
USPC D26/1-4; 313/313, 315, 316, 317, 318,
313/493; 315/52, 53, 56, 57, 58
CPC H01R 5/00; H01R 13/46; H01R 13/514;
H01R 31/048; H01R 31/02; H01J 5/00;
H01J 5/16; H01J 1/02; H01J 15/00; H01J
5/48; H01J 5/50; H01J 19/54; F21V 5/00

See application file for complete search history.

(56) **References Cited**

U.S. PATENT DOCUMENTS

D412,037 S *	7/1999	Compton	D26/2
D470,605 S *	2/2003	Bobel	D26/2
D470,609 S *	2/2003	Bobel	D26/2
D471,651 S *	3/2003	Bobel	D26/2

* cited by examiner

Primary Examiner — Marcus Jackson

(74) *Attorney, Agent, or Firm* — Kelley Drye & Warren
LLP

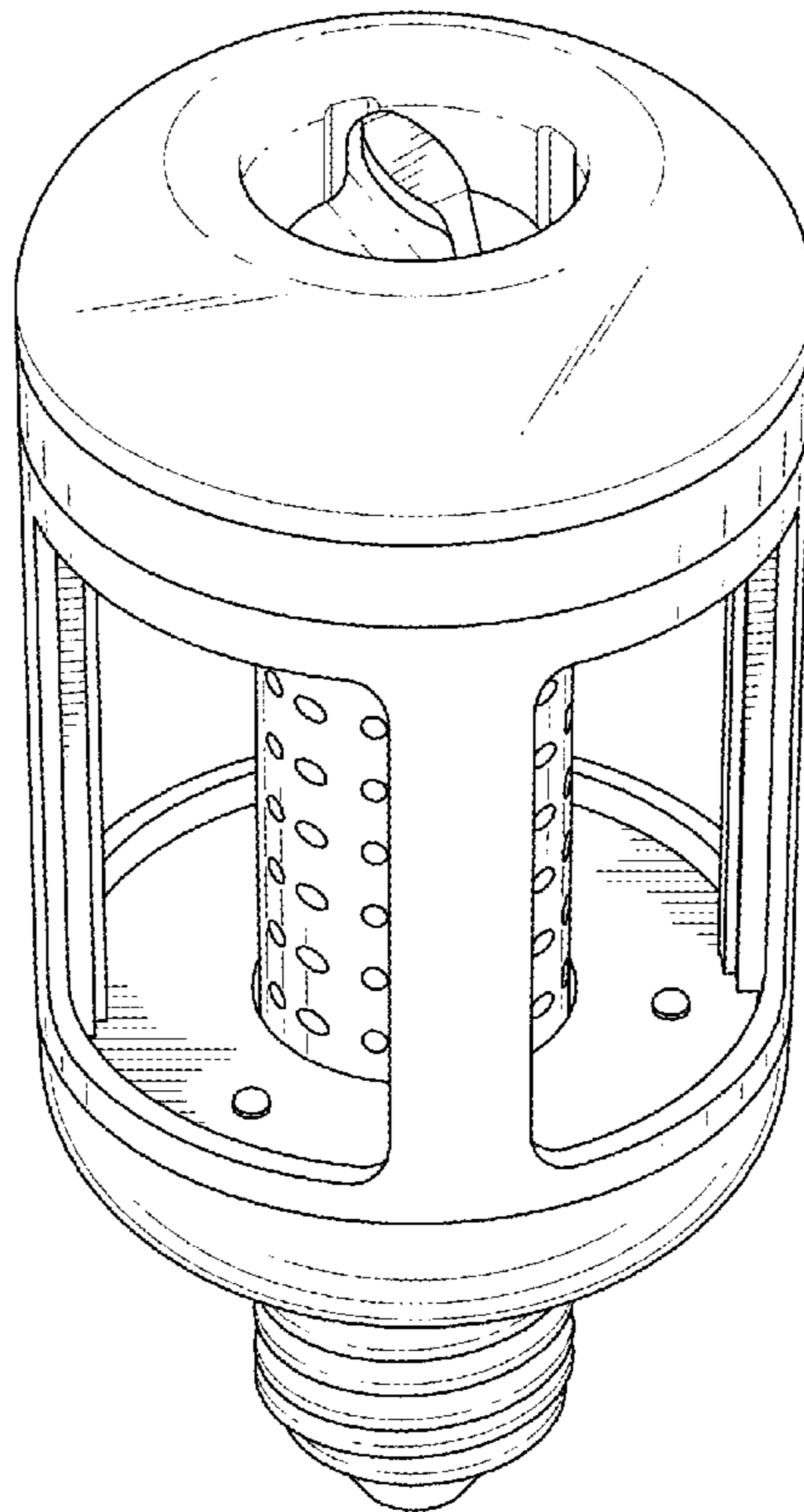
(57) **CLAIM**

The ornamental design for a lighting bulb, as shown and
described.

DESCRIPTION

FIG. 1 is a front perspective view of a lighting bulb;
FIG. 2 is a front view thereof;
FIG. 3 is a rear view thereof;
FIG. 4 is a left side view thereof
FIG. 5 is a right side view thereof;
FIG. 6 is a bottom view thereof; and,
FIG. 7 is a top view thereof.

1 Claim, 6 Drawing Sheets



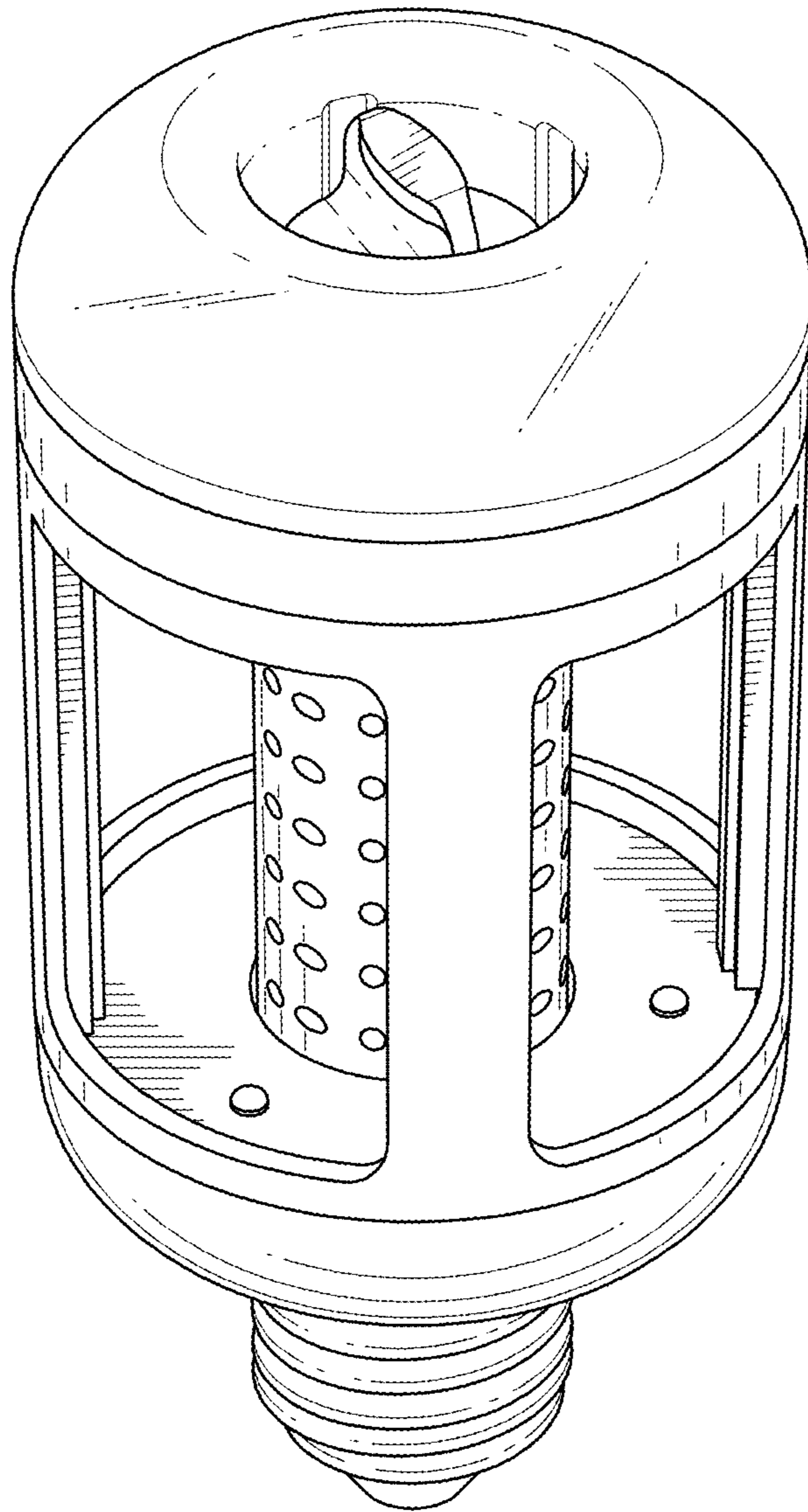


FIG. 1

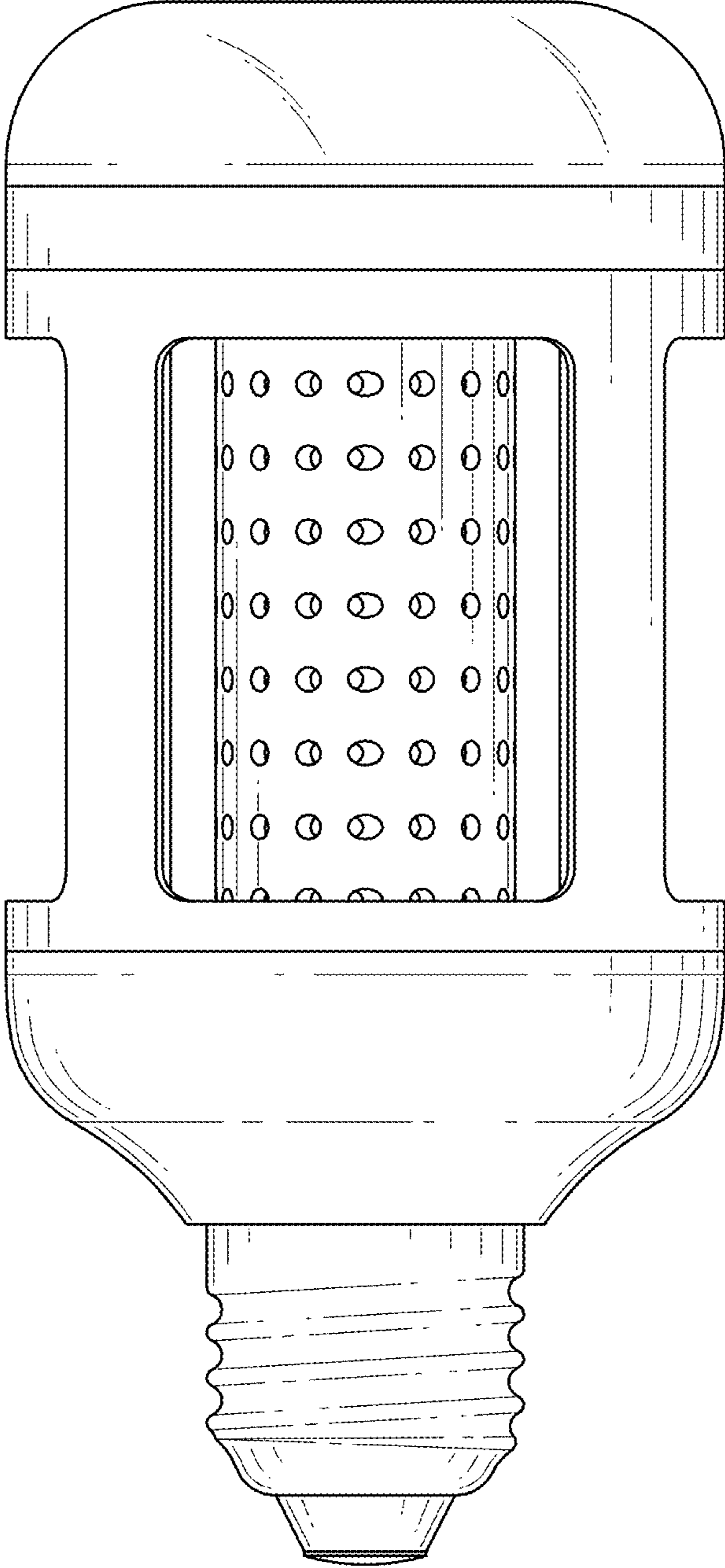


FIG. 2

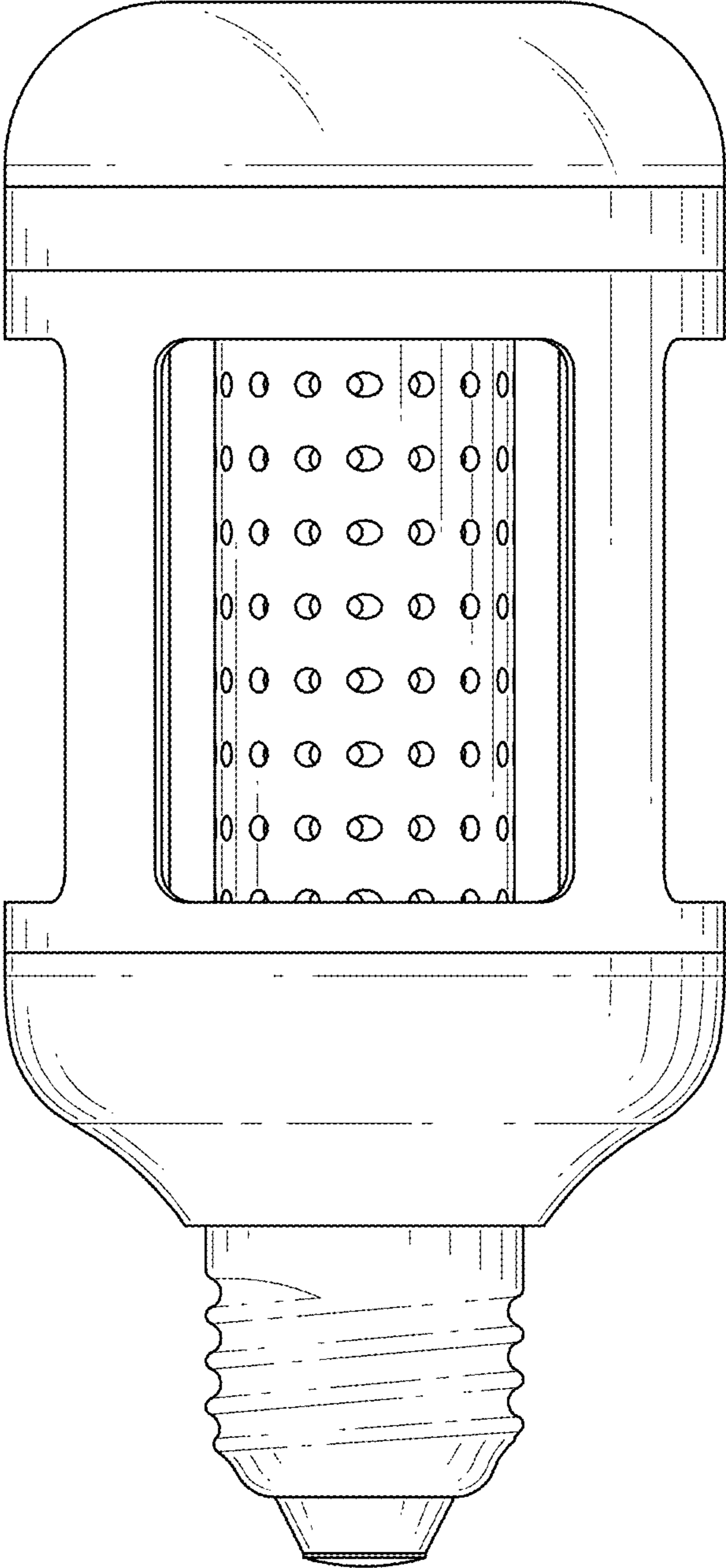


FIG. 3

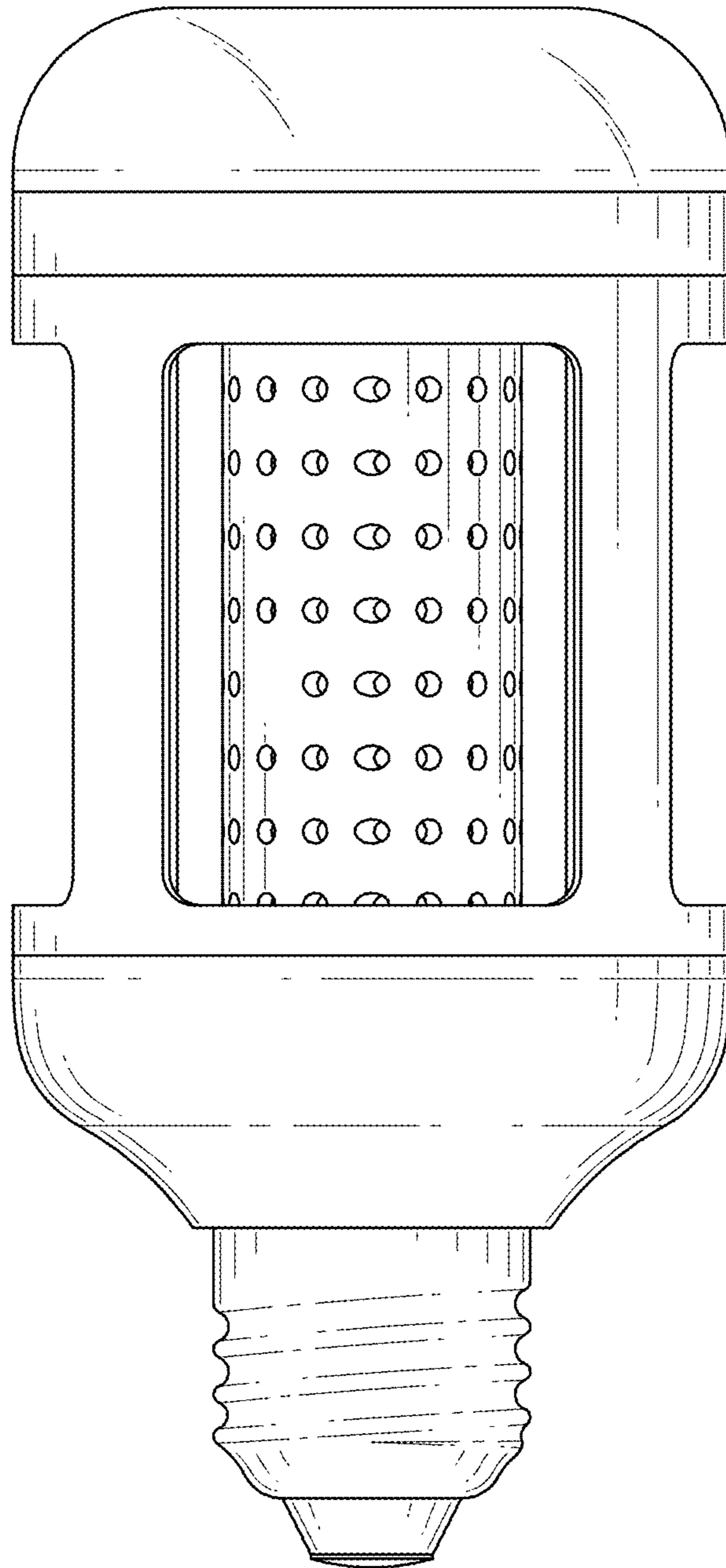


FIG. 4

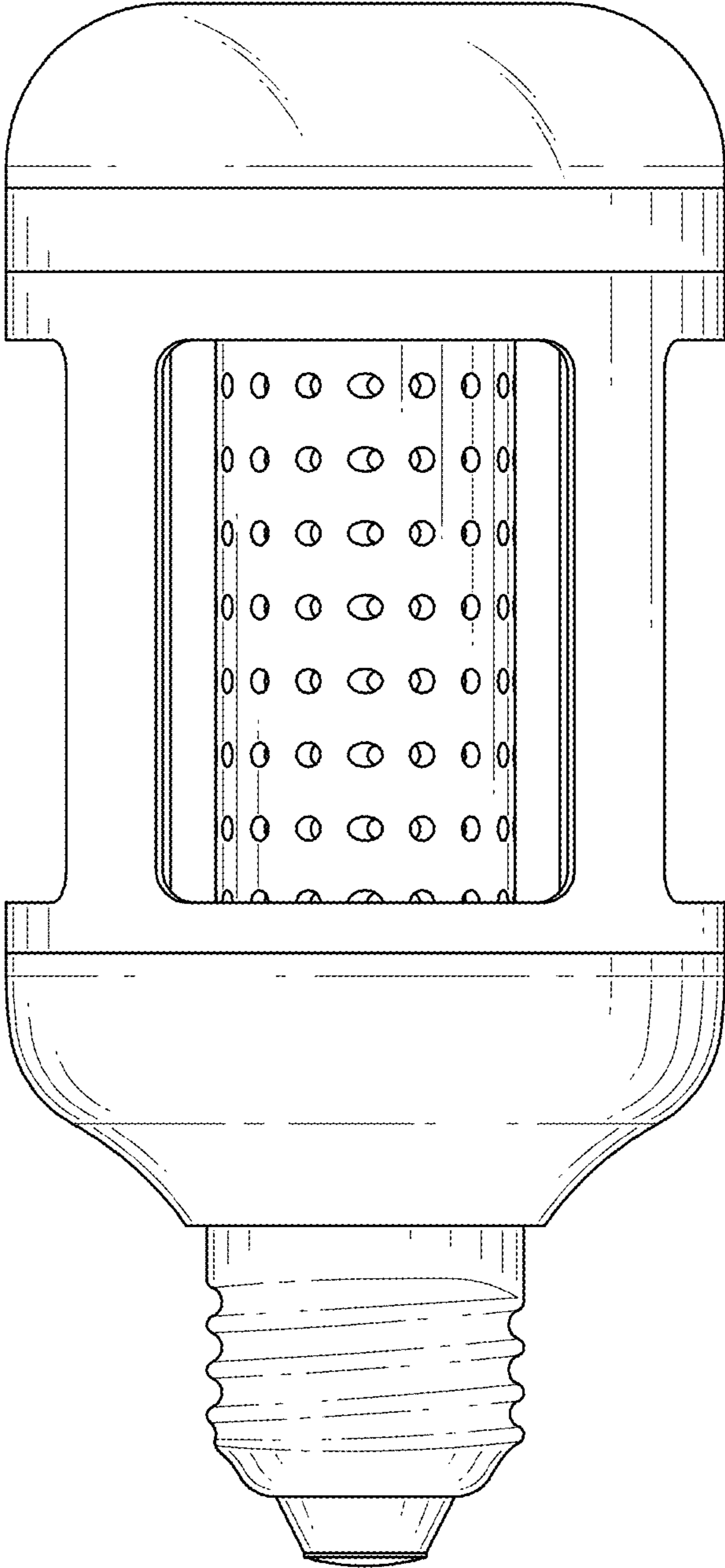


FIG. 5

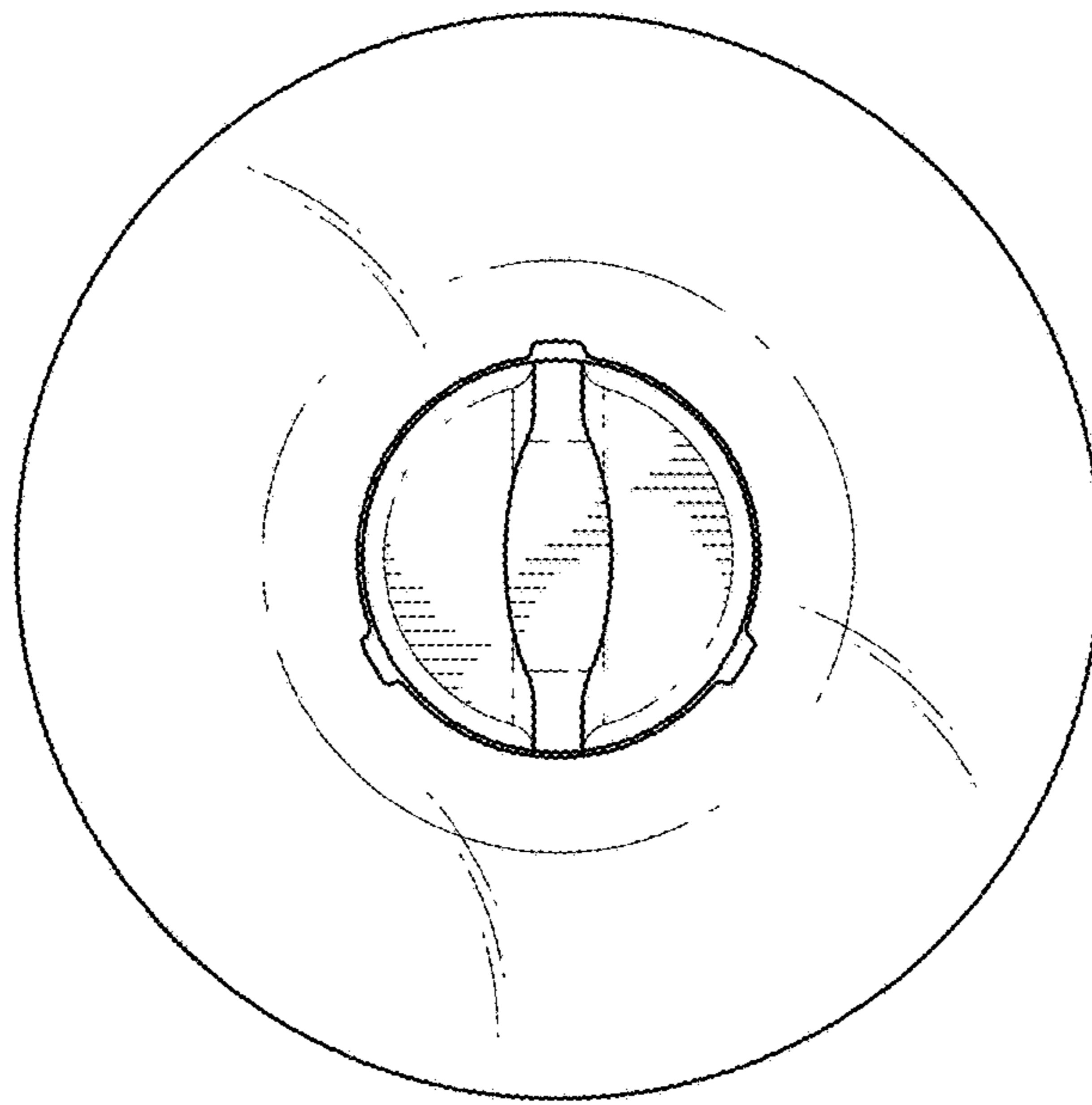


FIG. 6

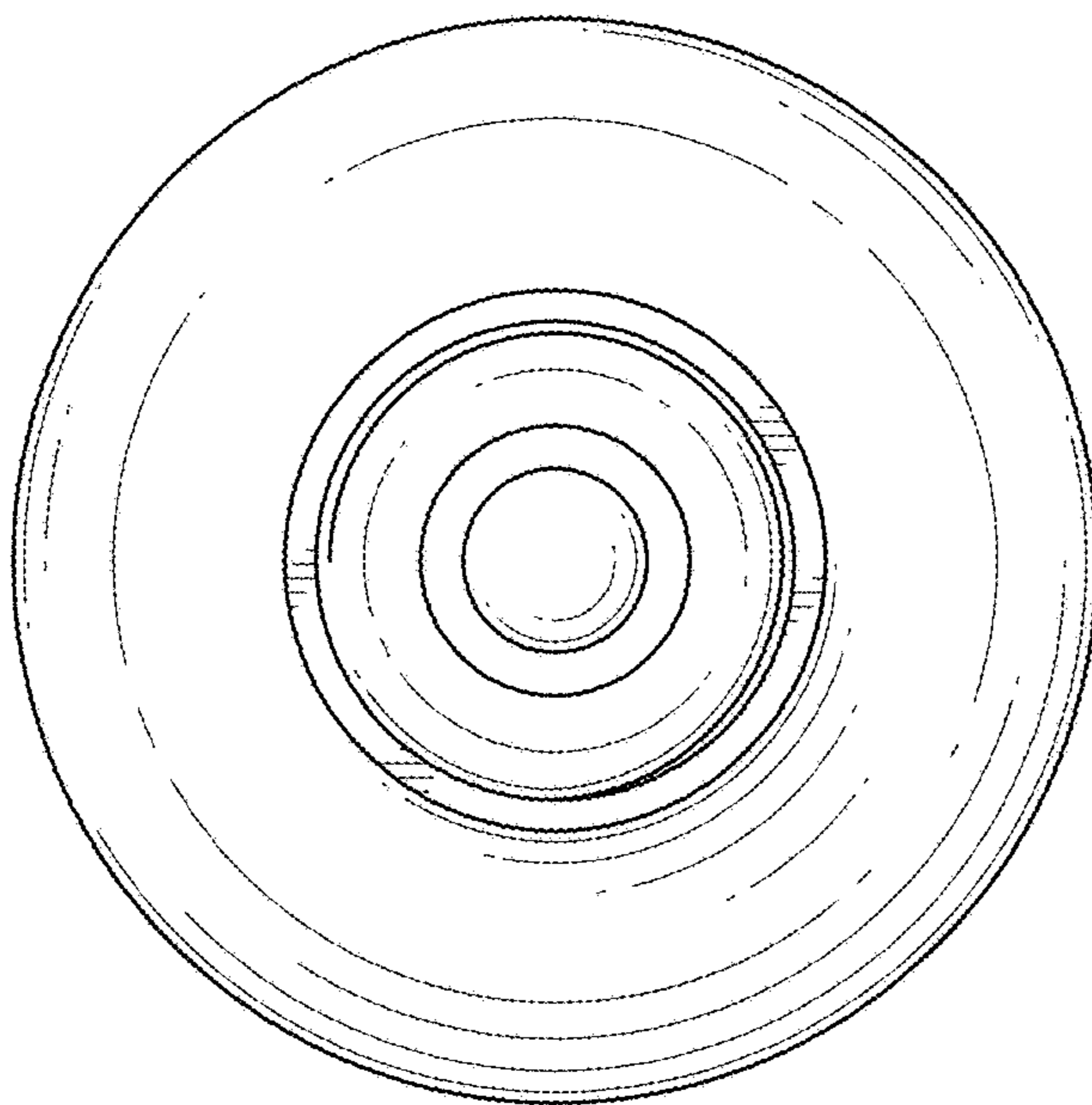


FIG. 7