



US00D824546S

(12) **United States Design Patent** (10) **Patent No.:** **US D824,546 S**  
**Van Kleef et al.** (45) **Date of Patent:** **\*\* Jul. 31, 2018**

(54) **LIGHTBULB**

**DESCRIPTION**

(71) Applicants: **Paul Van Kleef**, Los Angeles, CA (US);  
**Max Azria**, Los Angeles, CA (US);  
**Robert McFarlane**, Los Angeles, CA  
(US); **Yasmine Hanane**, Los Angeles,  
CA (US)

(72) Inventors: **Paul Van Kleef**, Los Angeles, CA (US);  
**Max Azria**, Los Angeles, CA (US);  
**Robert McFarlane**, Los Angeles, CA  
(US); **Yasmine Hanane**, Los Angeles,  
CA (US)

(73) Assignee: **Clean Concept LLC**, West Hollywood,  
CA (US)

(\*\*) Term: **15 Years**

(21) Appl. No.: **29/584,420**

(22) Filed: **Nov. 14, 2016**

(51) **LOC (11) Cl.** ..... **26-04**

(52) **U.S. Cl.**  
USPC ..... **D26/2**

(58) **Field of Classification Search**  
USPC ..... D26/1-4; 313/313, 315, 316, 317, 318,  
313/493; 315/52, 53, 56, 57, 58  
(Continued)

(56) **References Cited**

**U.S. PATENT DOCUMENTS**

D532,532 S \* 11/2006 Maxik ..... D26/2  
D535,038 S \* 1/2007 Egawa ..... D26/2  
(Continued)

*Primary Examiner* — Marcus Jackson

(74) *Attorney, Agent, or Firm* — Kelley Drye & Warren  
LLP

(57) **CLAIM**

The ornamental design for a lightbulb, as shown and  
described.

FIG. 1 is a front perspective view of a first embodiment of a lightbulb according to the present invention;  
FIG. 2 is a front view of the first embodiment of the lightbulb;  
FIG. 3 is a rear view of the first embodiment of the lightbulb;  
FIG. 4 is a left side view of the first embodiment of the lightbulb;  
FIG. 5 is a right side view of the first embodiment of the lightbulb;  
FIG. 6 is a top view of the first embodiment of the lightbulb;  
FIG. 7 is a bottom view of the first embodiment of the lightbulb;  
FIG. 8 is a front perspective view in open position of the first embodiment of the lightbulb;  
FIG. 9 is a front view in open position of the first embodiment of the lightbulb;  
FIG. 10 is a rear view in open position of the first embodiment of the lightbulb;  
FIG. 11 is a left side view in open position of the first embodiment of the lightbulb;  
FIG. 12 is a right side view in open position of the first embodiment of the lightbulb;  
FIG. 13 is a top view in open position of the first embodiment of the lightbulb;  
FIG. 14 is a bottom view in open position of the first embodiment of the lightbulb;  
FIG. 15 is a front perspective view of a second embodiment of a lightbulb according to the present invention;  
FIG. 16 is a front view of the second embodiment of the lightbulb;  
FIG. 17 is a rear view of the second embodiment of the lightbulb;  
FIG. 18 is a left side view of the second embodiment of the lightbulb;  
FIG. 19 is a right side view of the second embodiment of the lightbulb;  
FIG. 20 is a top view of the second embodiment of the lightbulb;  
FIG. 21 is a bottom view of the second embodiment of the lightbulb;  
FIG. 22 is a front perspective view in open position of the second embodiment of the lightbulb;  
FIG. 23 is a front view in open position of the second embodiment of the lightbulb;  
FIG. 24 is a rear view in open position of the second embodiment of the lightbulb;

(Continued)

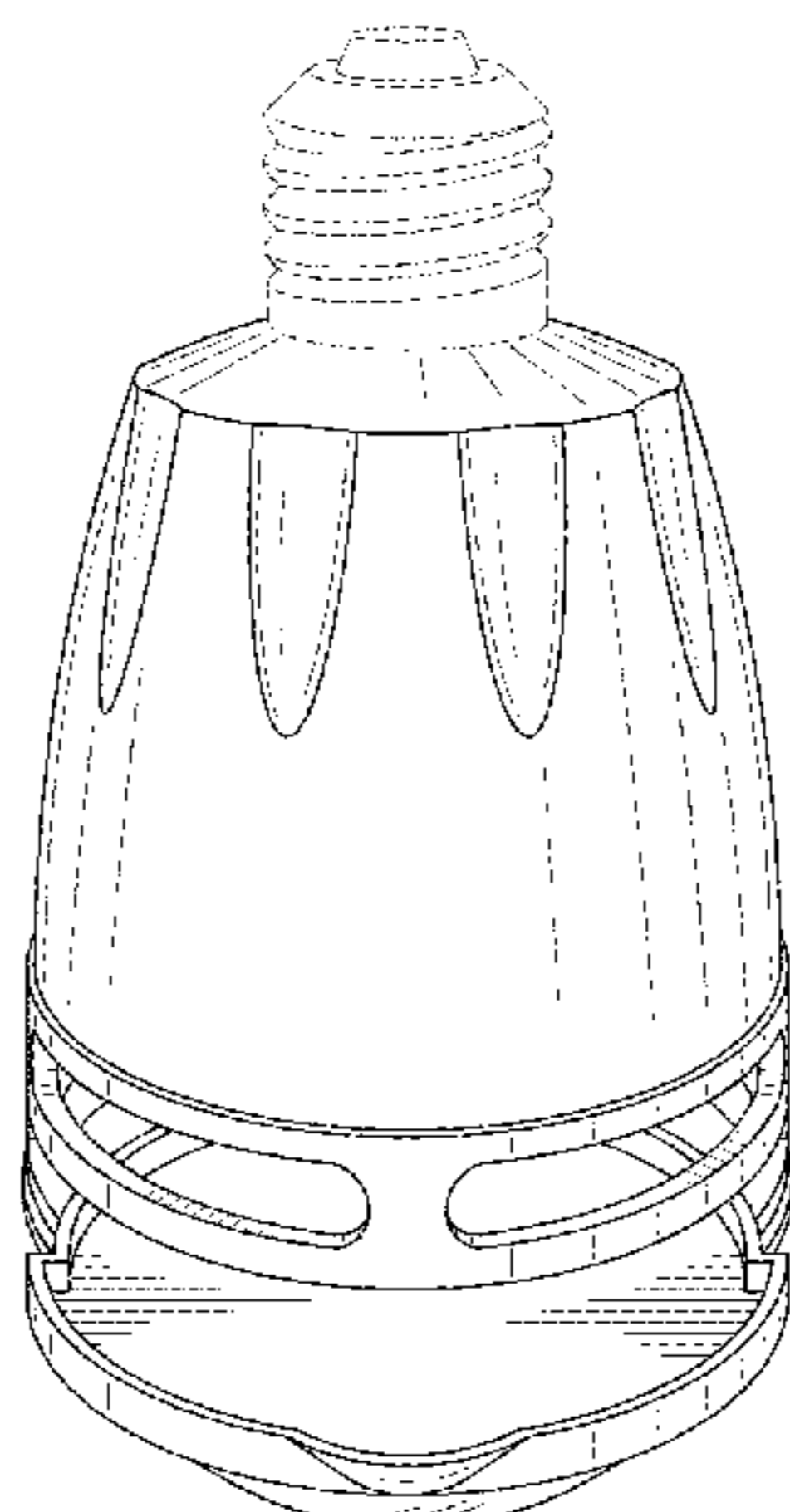


FIG. 25 is a left side view in open position of the second embodiment of the lightbulb;

FIG. 26 is a right side view in open position of the second embodiment of the lightbulb;

FIG. 27 is a top view in open position of the second embodiment of the lightbulb; and,

FIG. 28 is a bottom view in open position of the second embodiment of the lightbulb.

The broken lines in the figures are included for the purpose of illustrating the environment in which the design is used and form no part of the claimed design.

**1 Claim, 28 Drawing Sheets**

**(58) Field of Classification Search**

CPC ..... H01R 5/00; H01R 13/46; H01R 13/514;  
H01R 31/048; H01R 31/02; H01J 5/00;  
H01J 5/16; H01J 15/00; H01J 5/48; H01J  
5/50; H01J 19/54; F21V 5/00

See application file for complete search history.

**(56) References Cited**

U.S. PATENT DOCUMENTS

D553,266	S	*	10/2007	Maxik	.....	D26/2
D566,300	S	*	4/2008	Lo	.....	D26/2
D584,838	S	*	1/2009	To	.....	D26/2
D600,368	S	*	9/2009	Bertram	.....	D26/2
D605,786	S	*	12/2009	Lim	.....	D26/2

\* cited by examiner

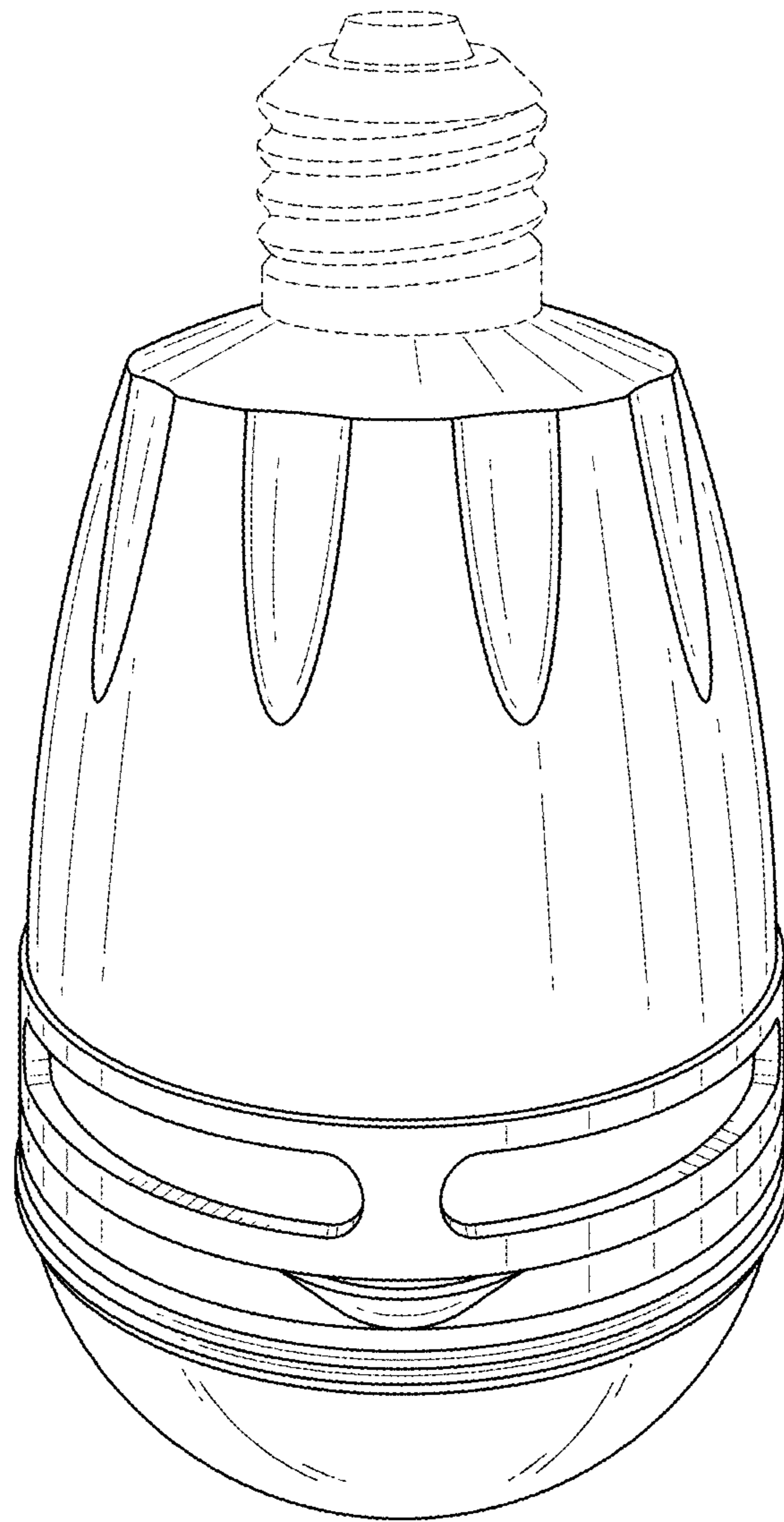


FIG. 1

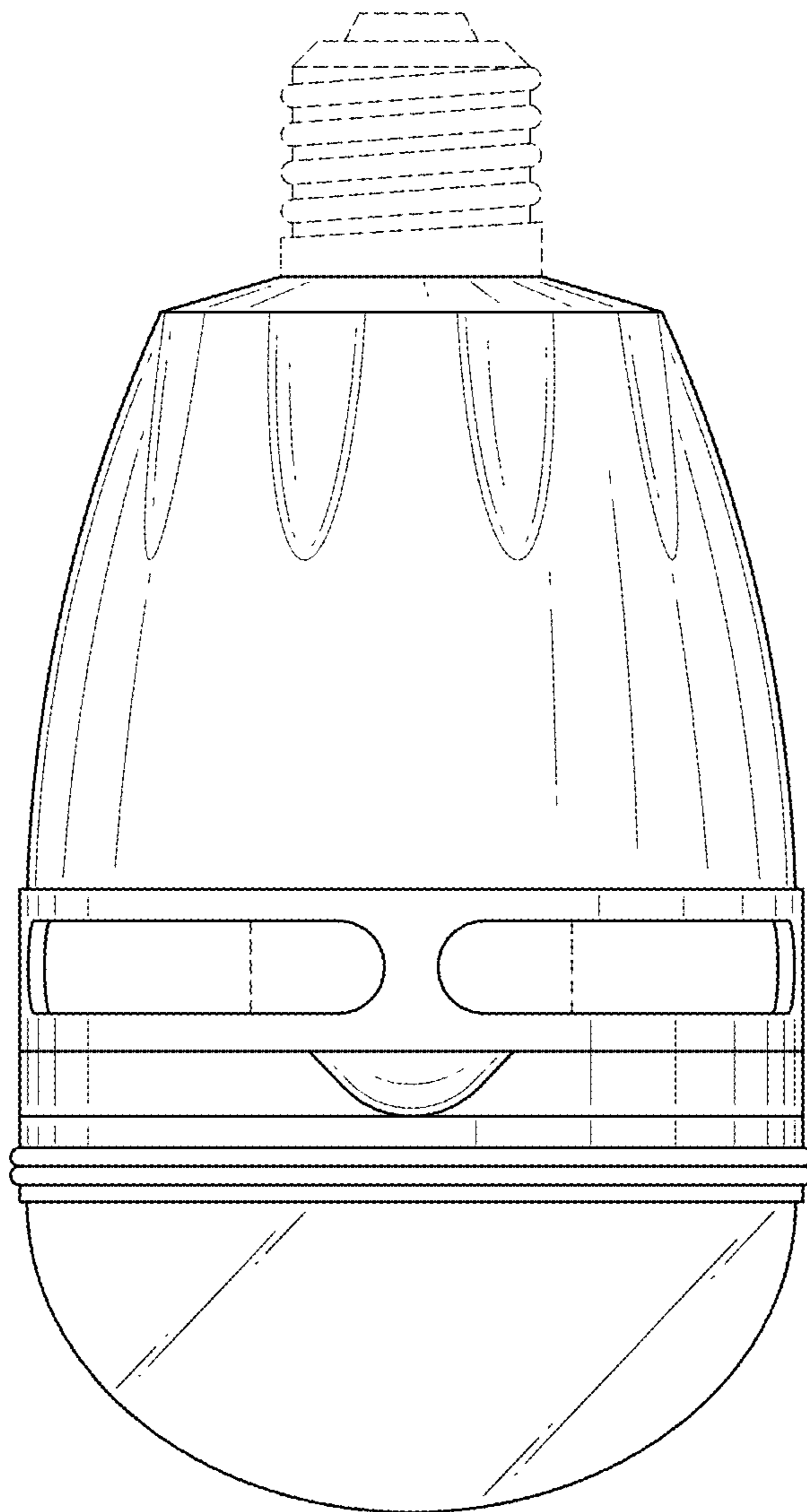


FIG. 2

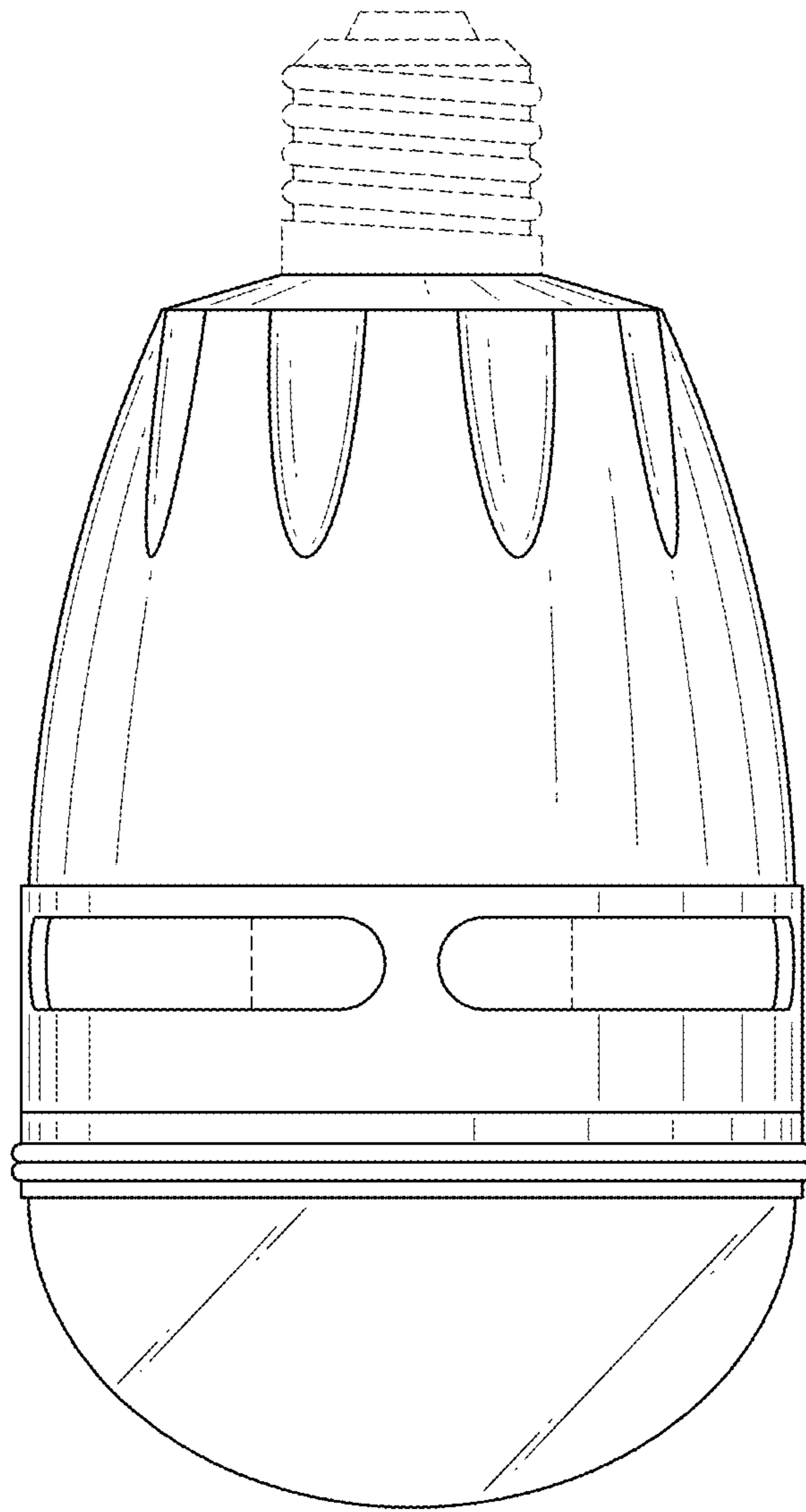


FIG. 3



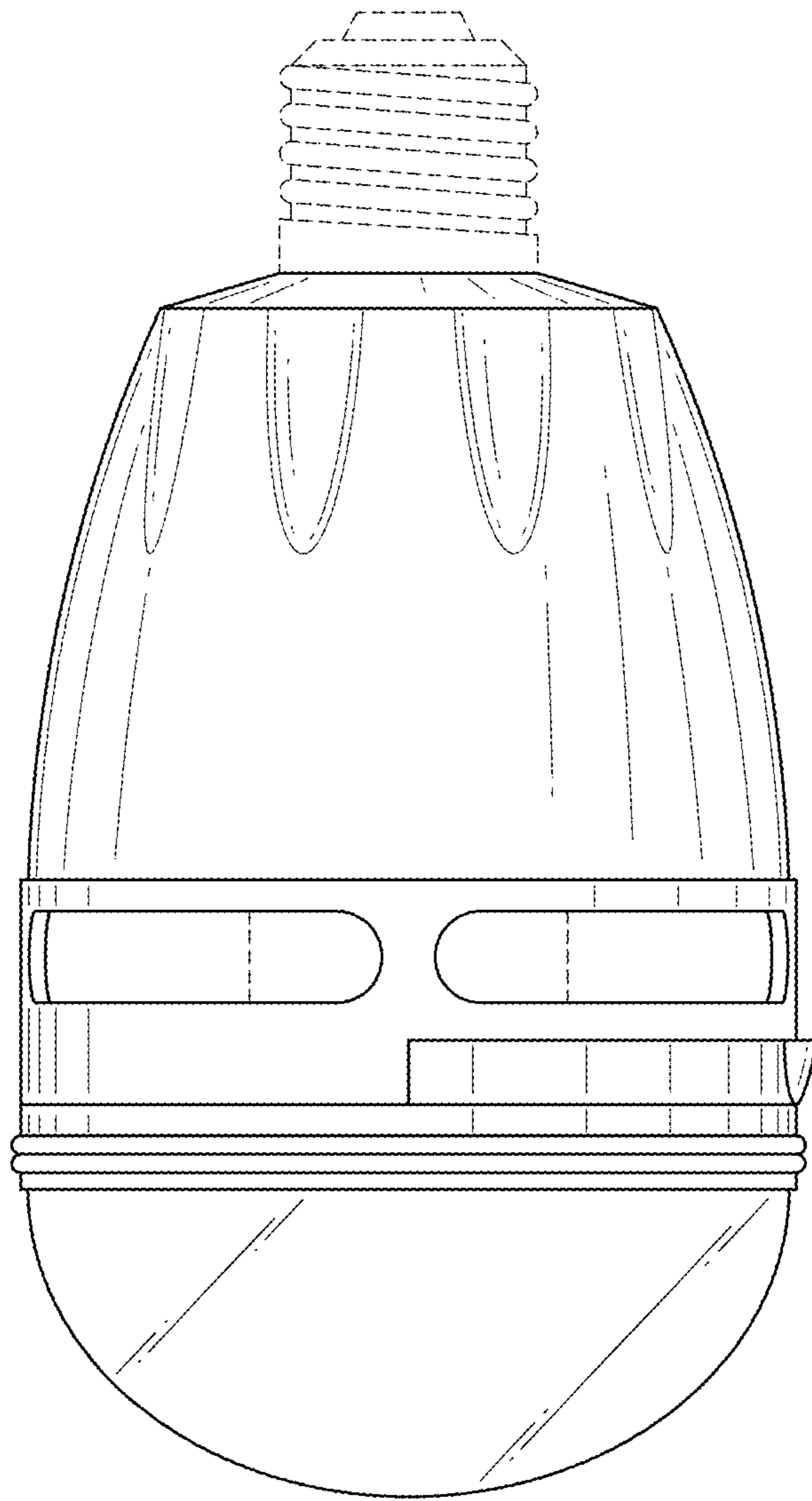


FIG.4

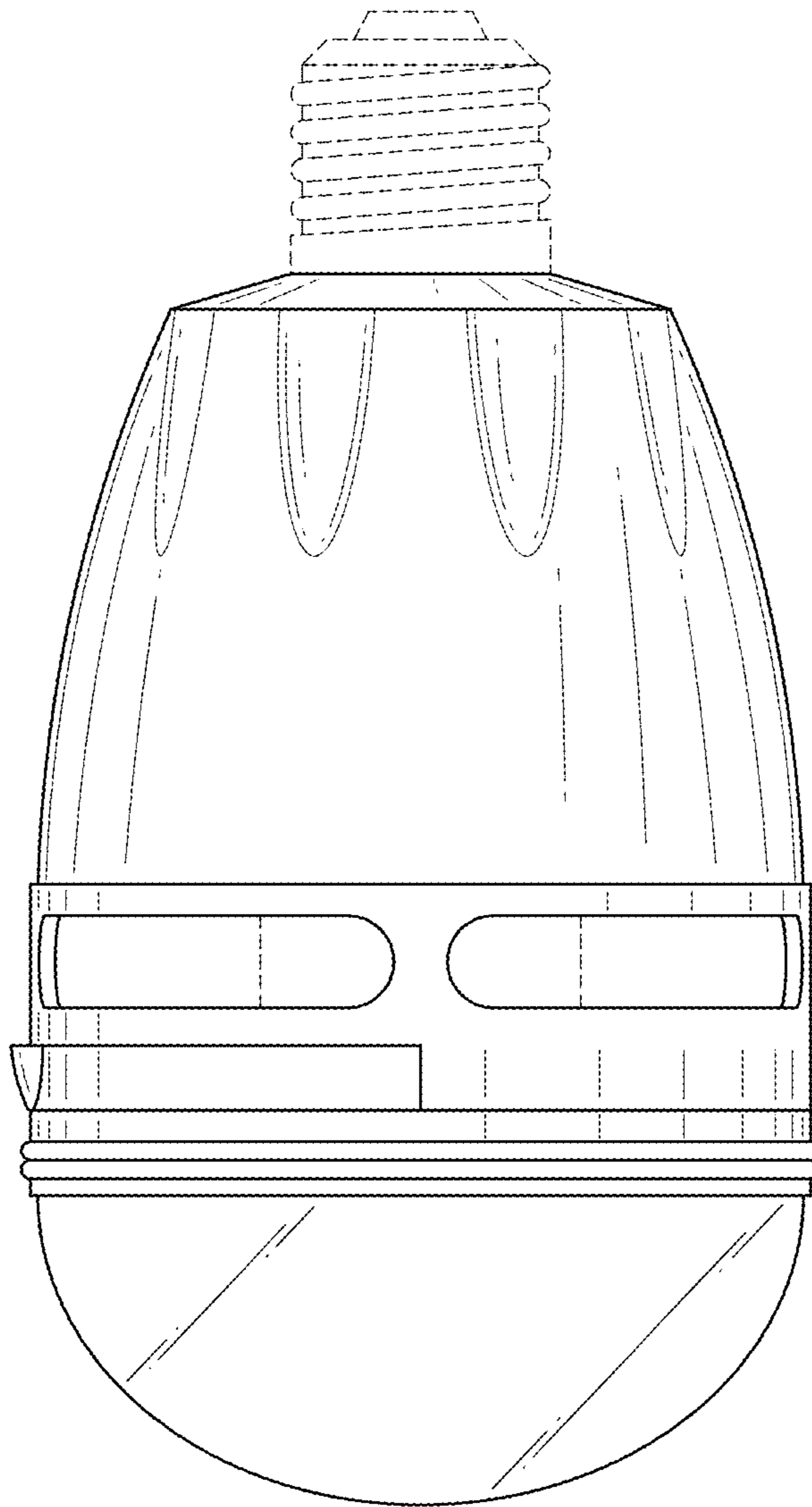


FIG. 5

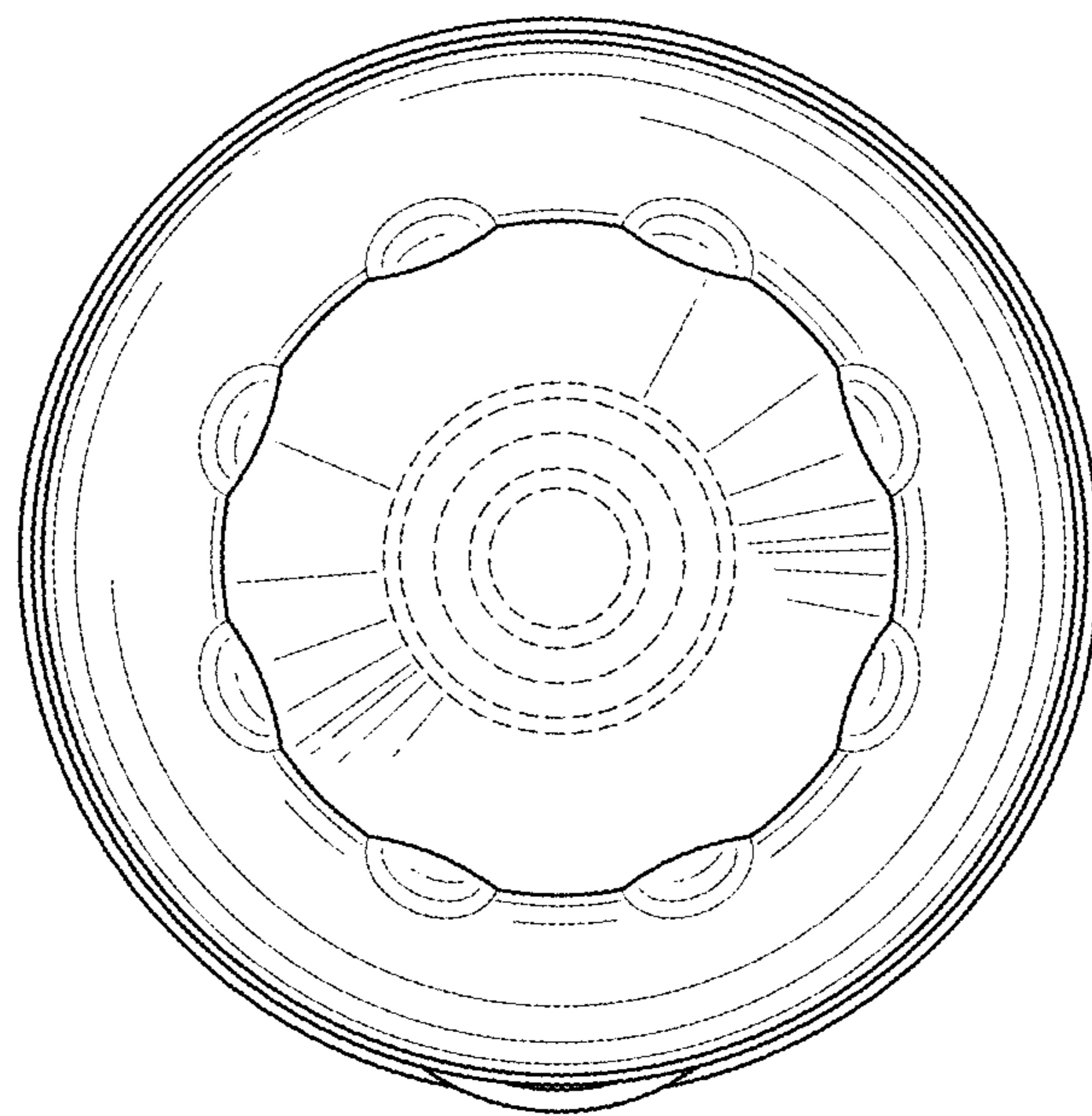


FIG. 6



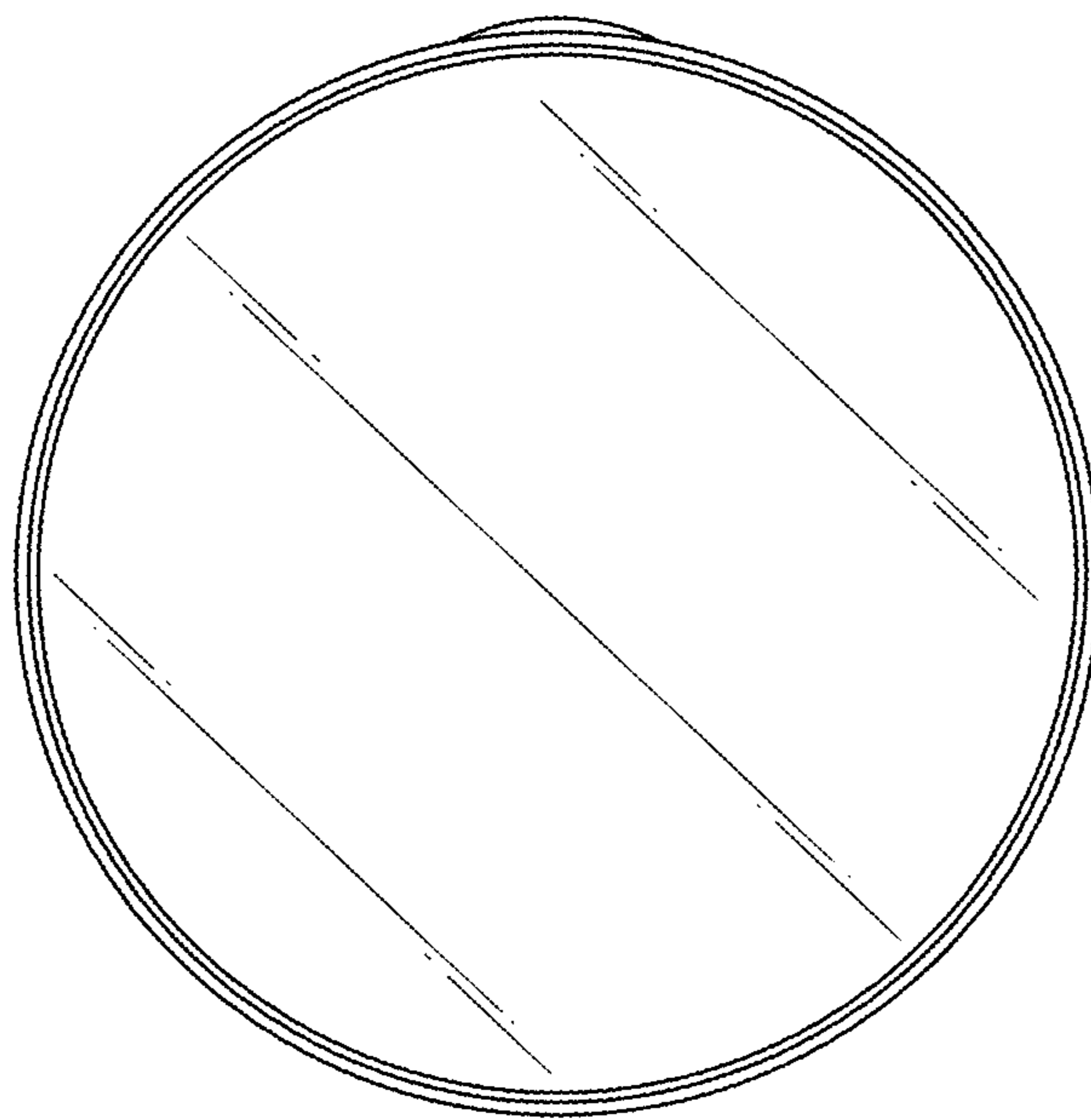


FIG. 7

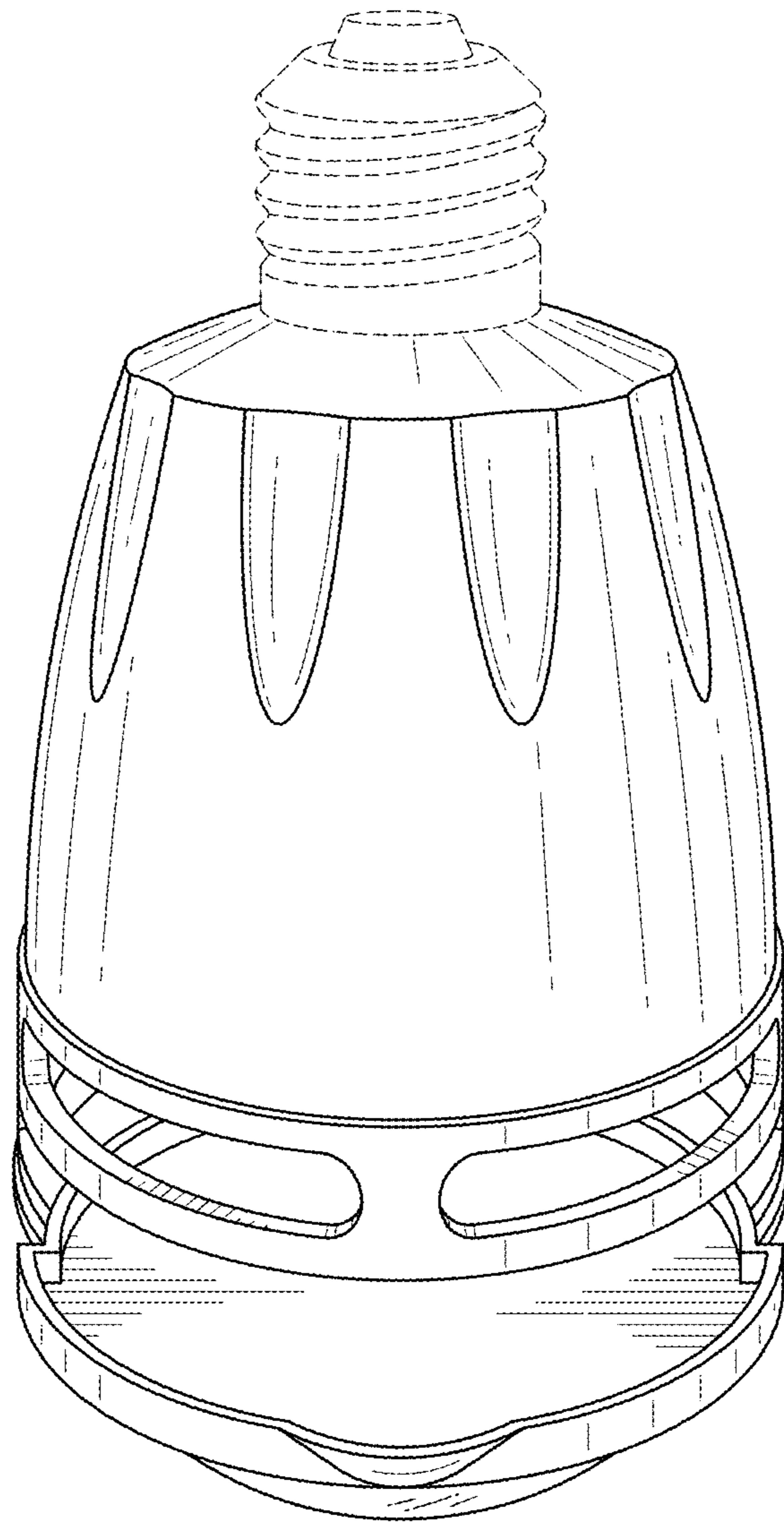


FIG. 8

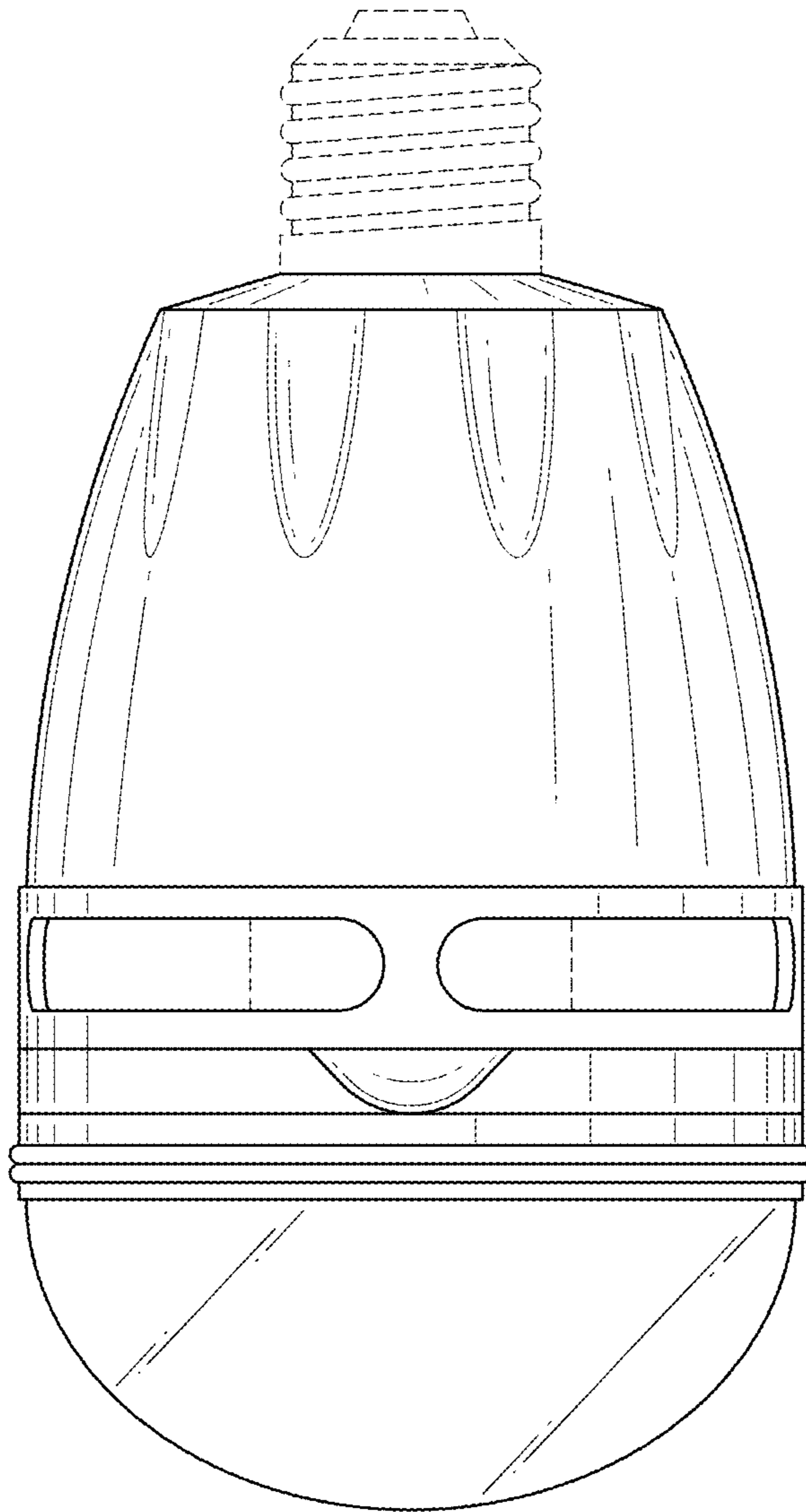


FIG. 9

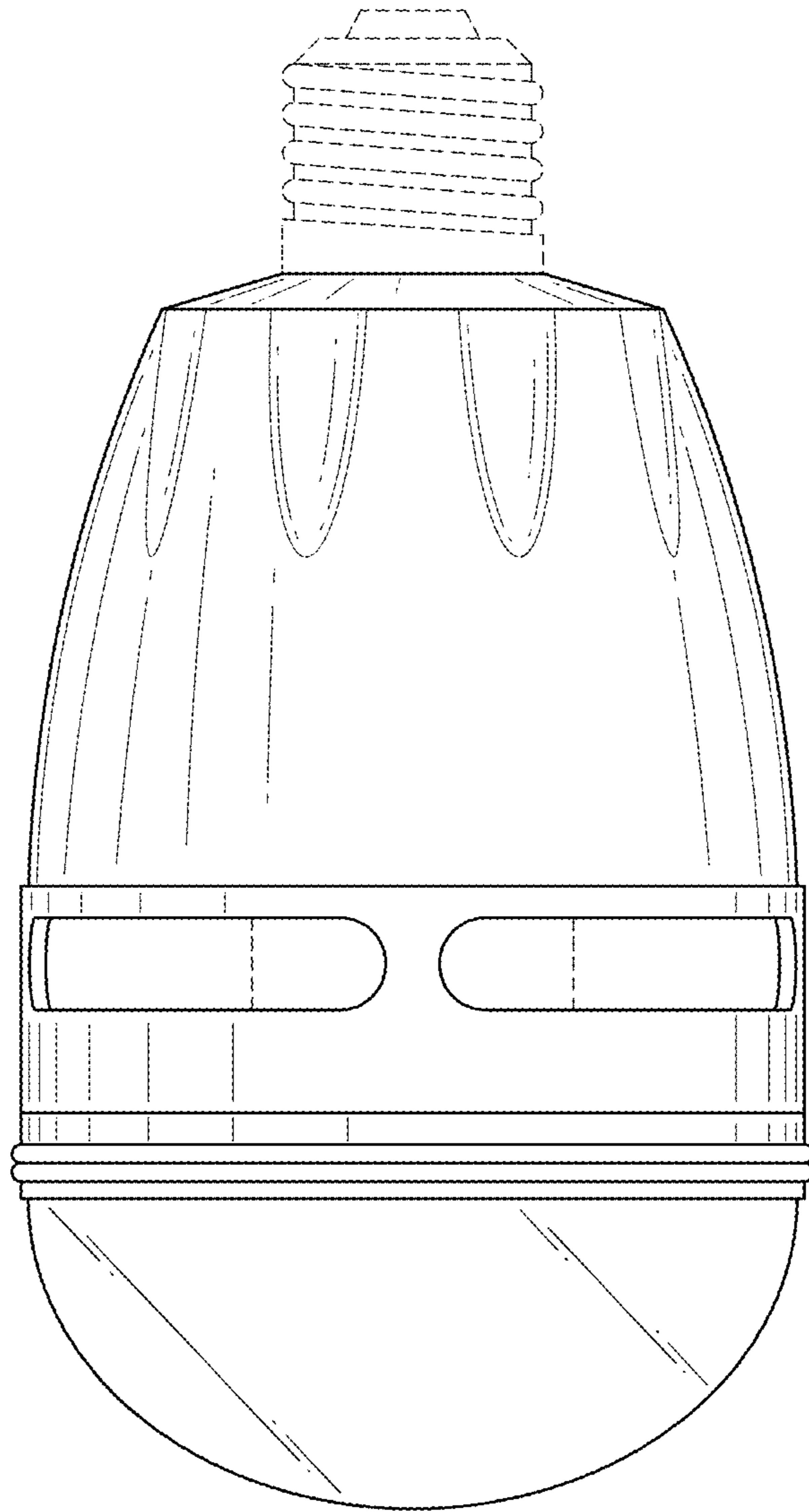


FIG. 10

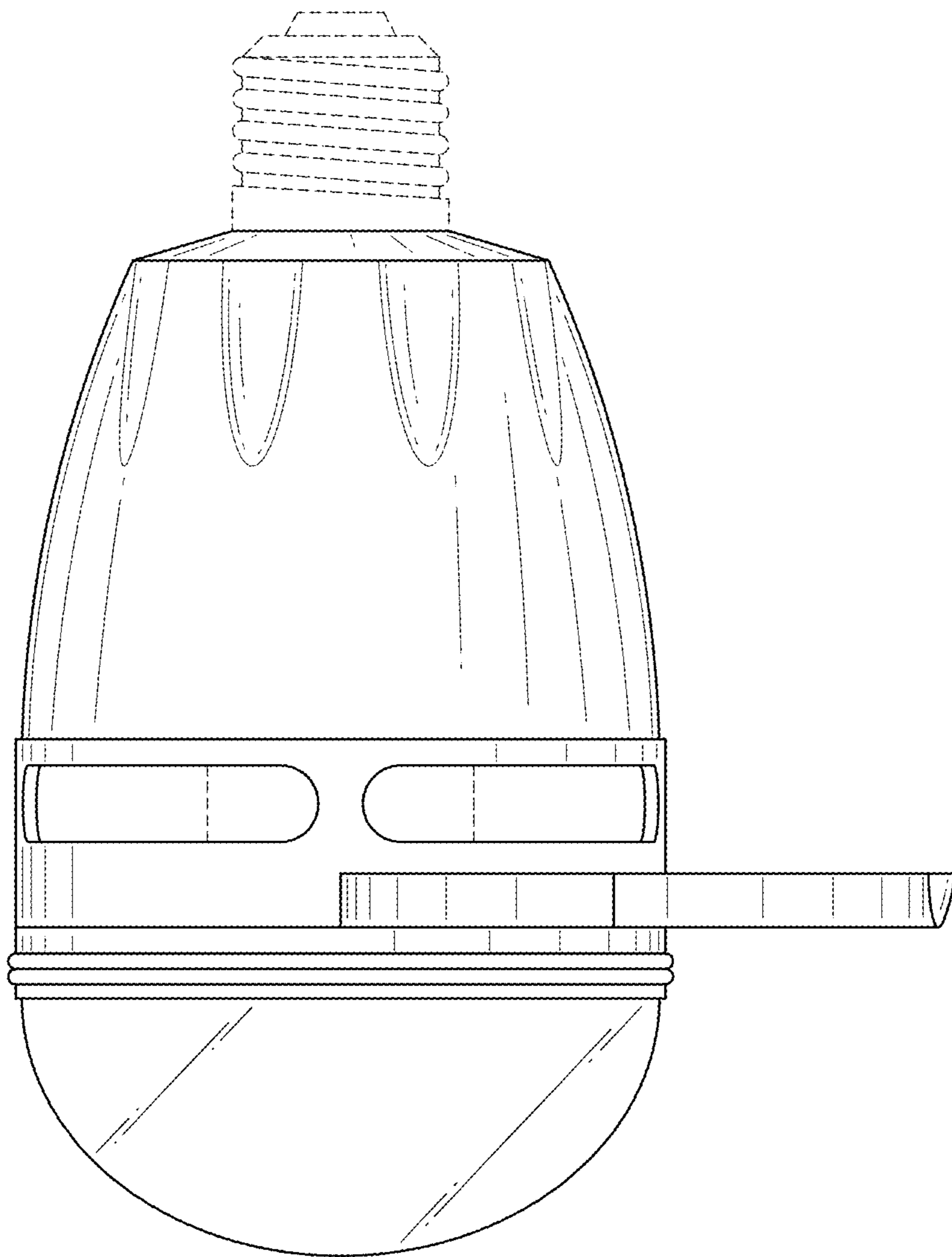


FIG. 11

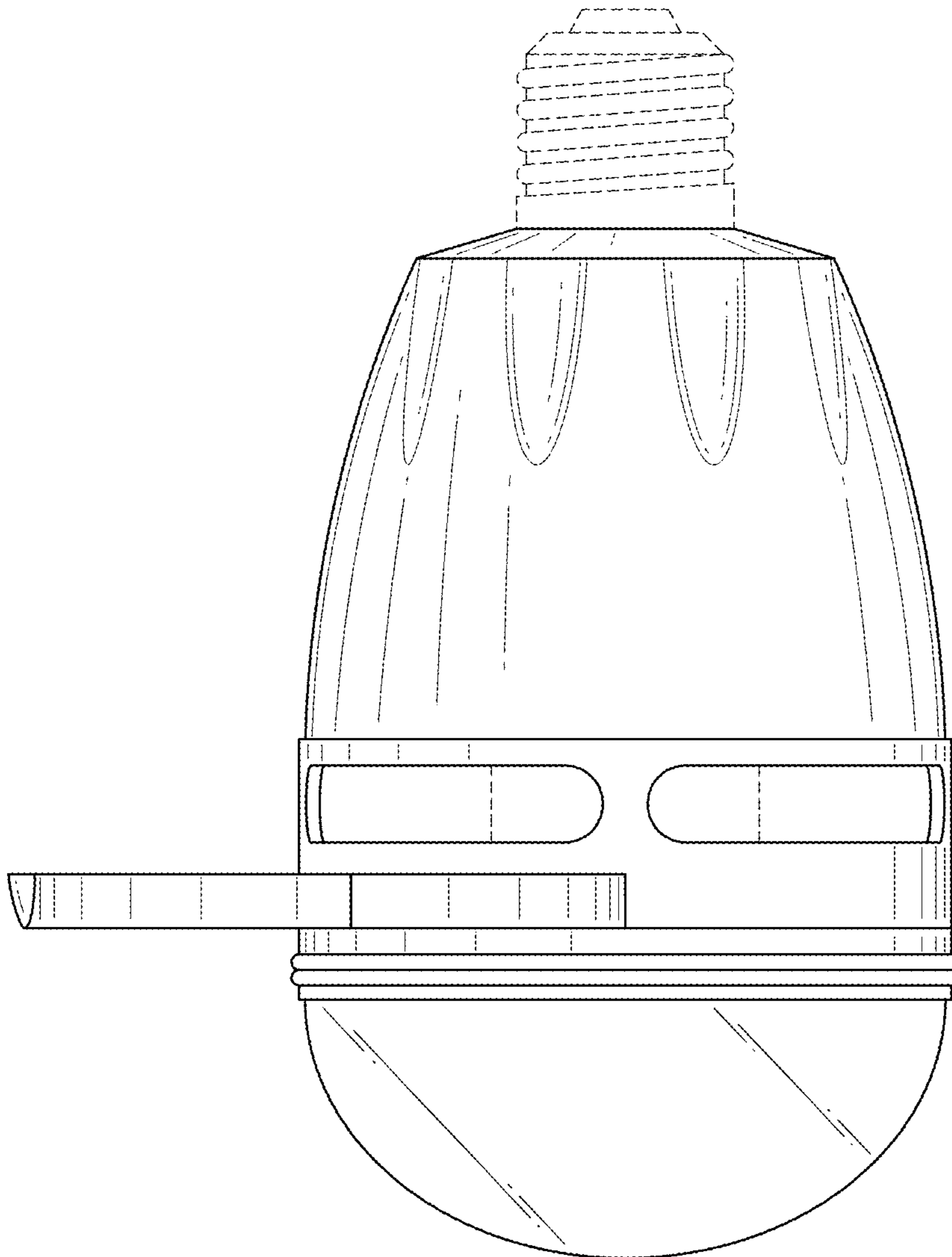


FIG. 12



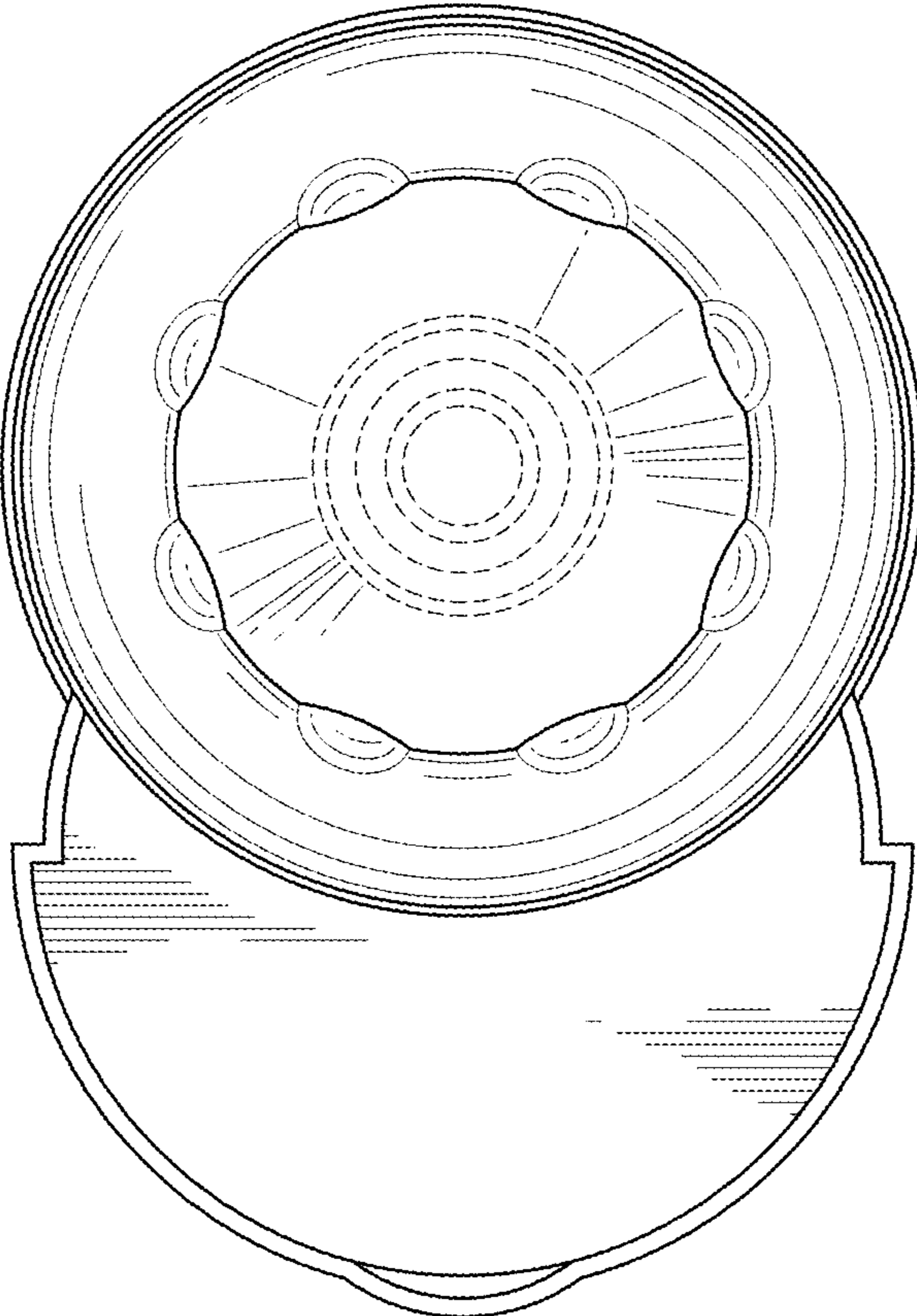


FIG. 13

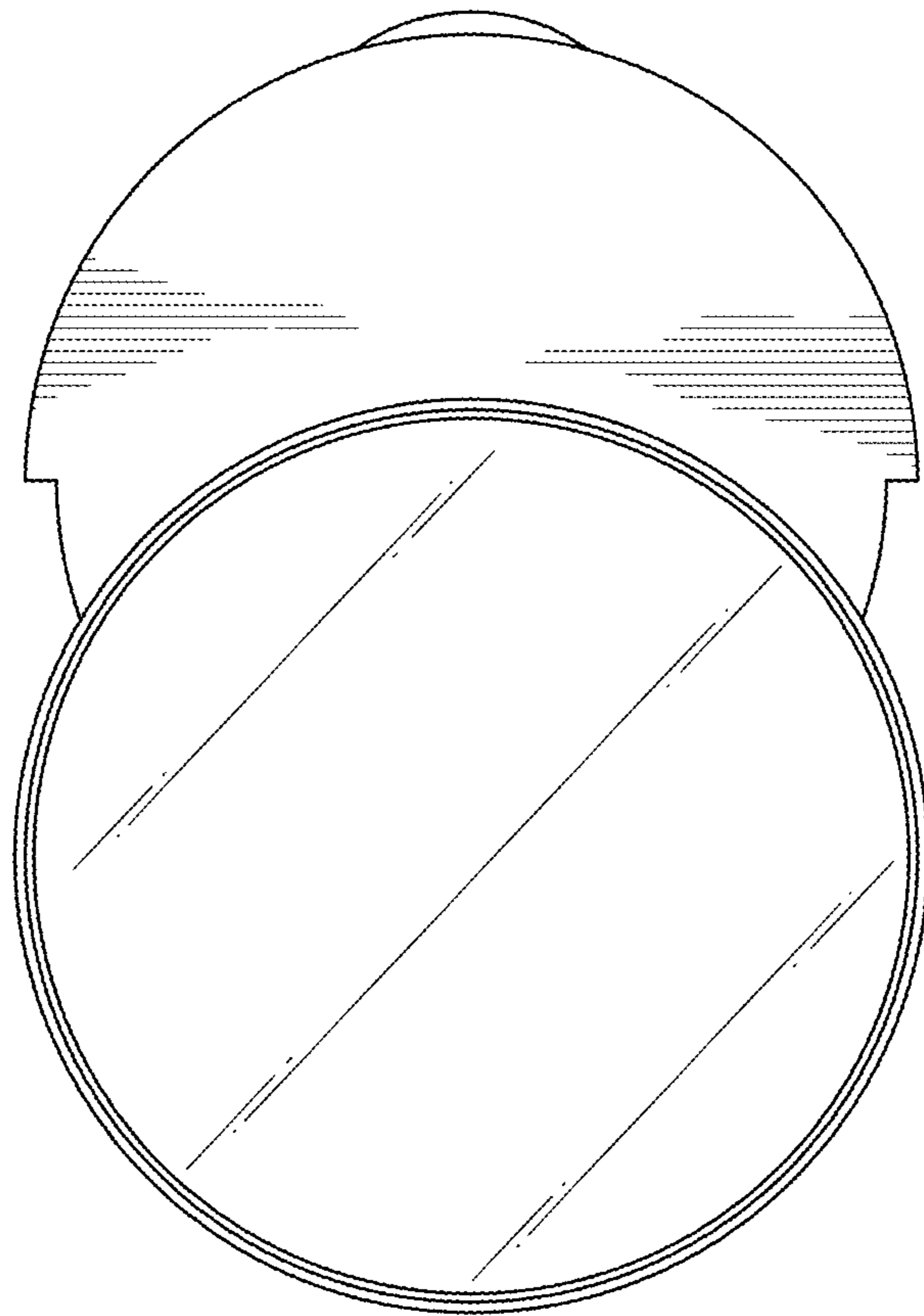


FIG. 14

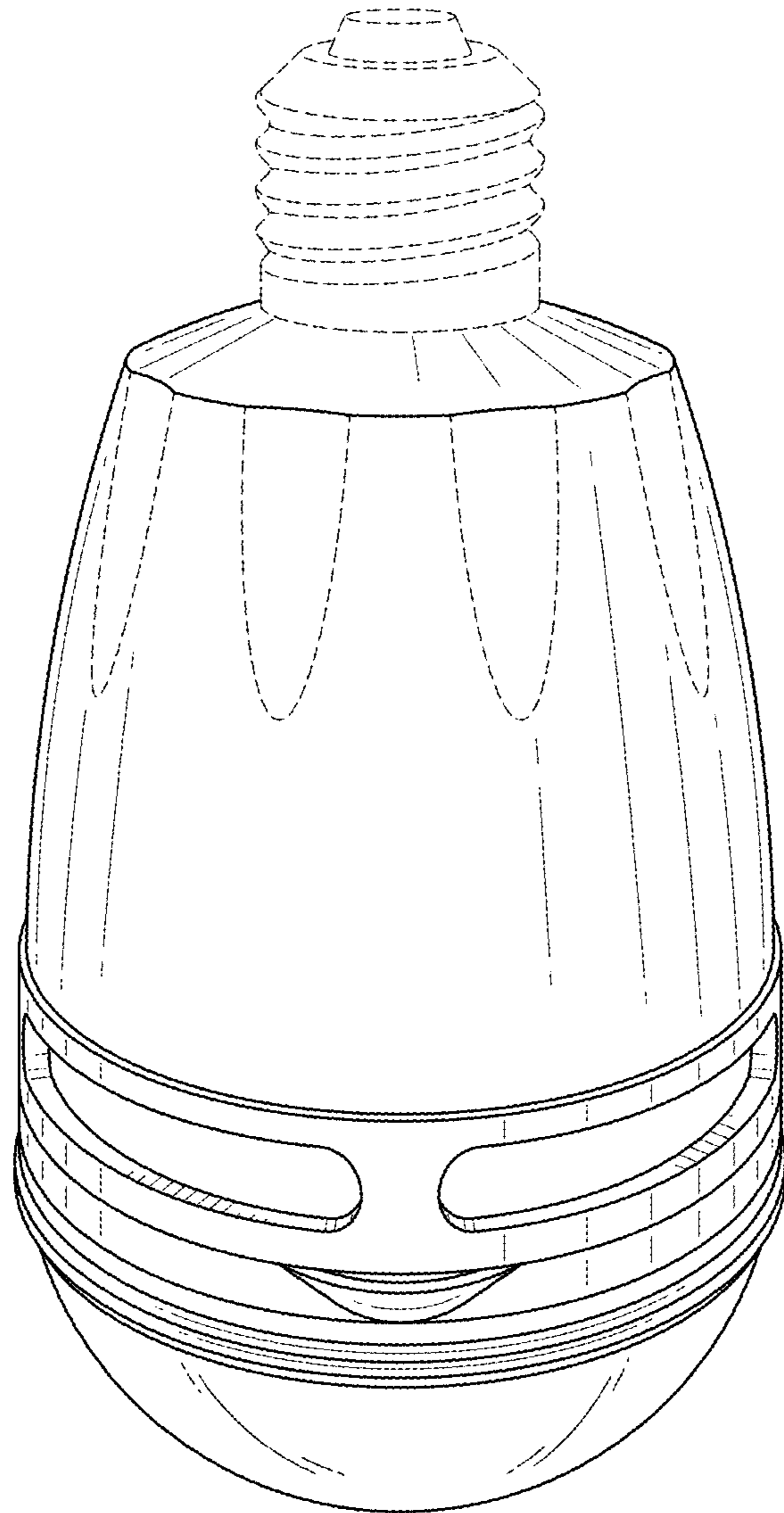


FIG. 15

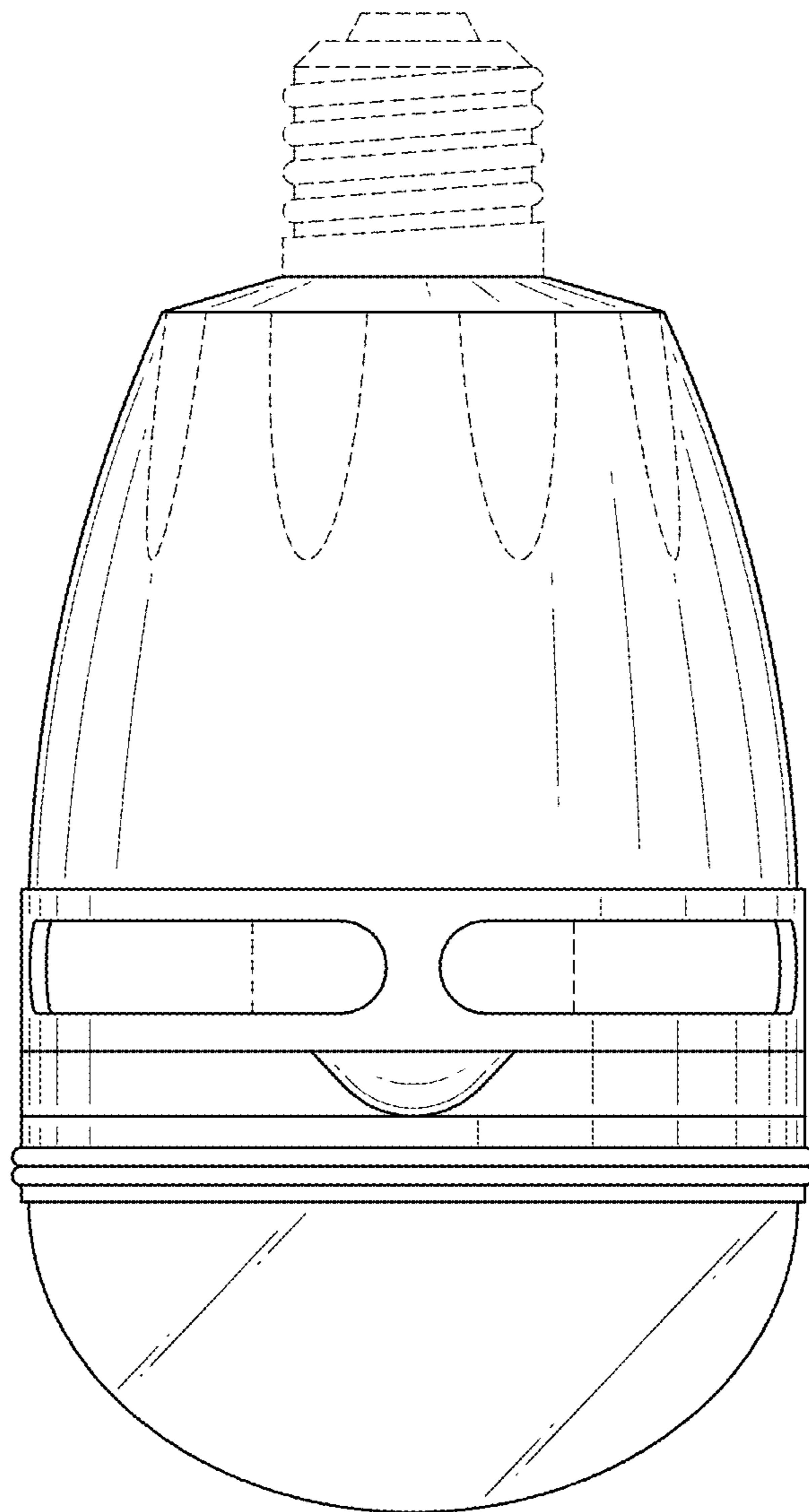


FIG. 16

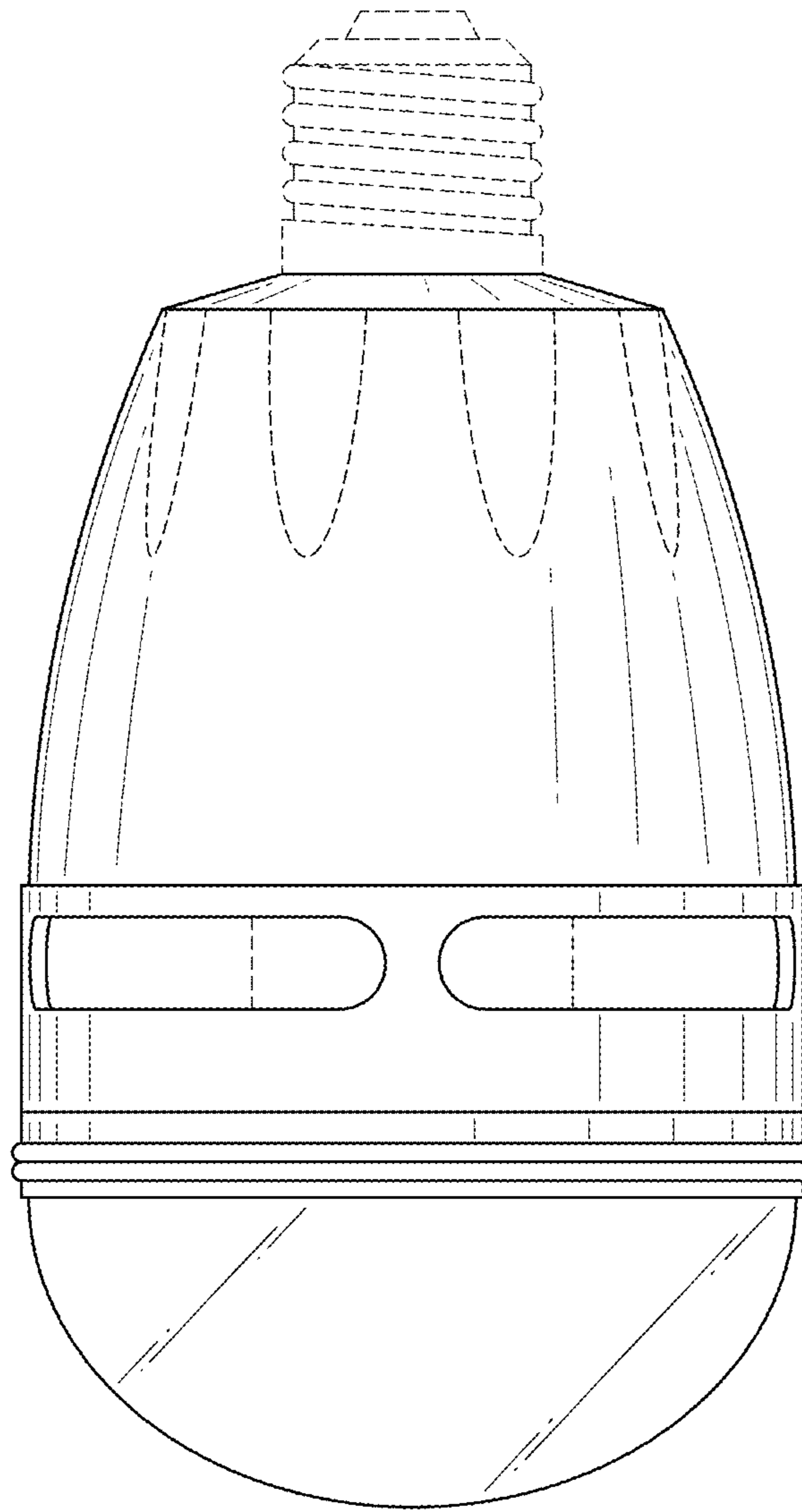


FIG. 17

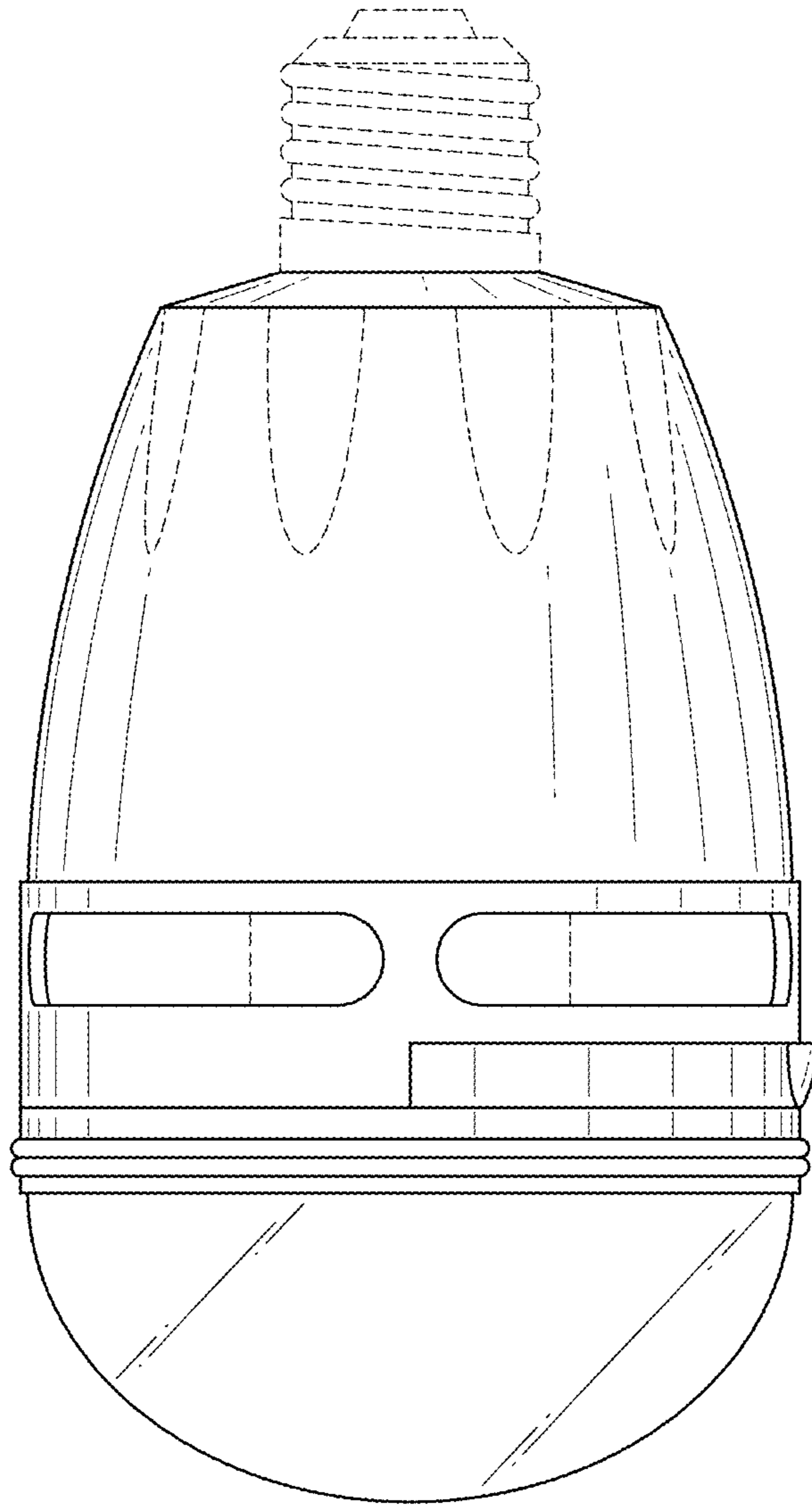


FIG. 18



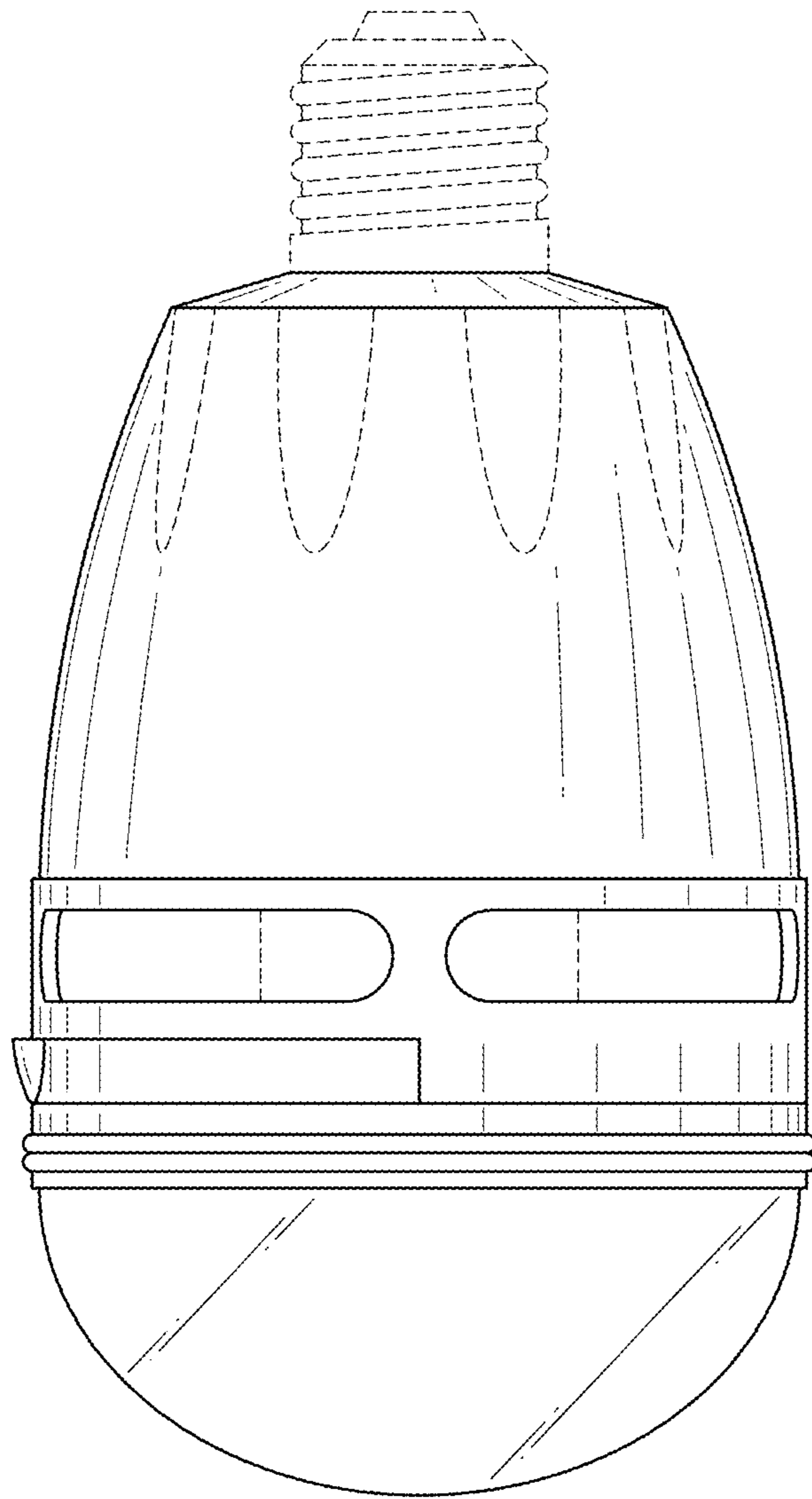


FIG. 19

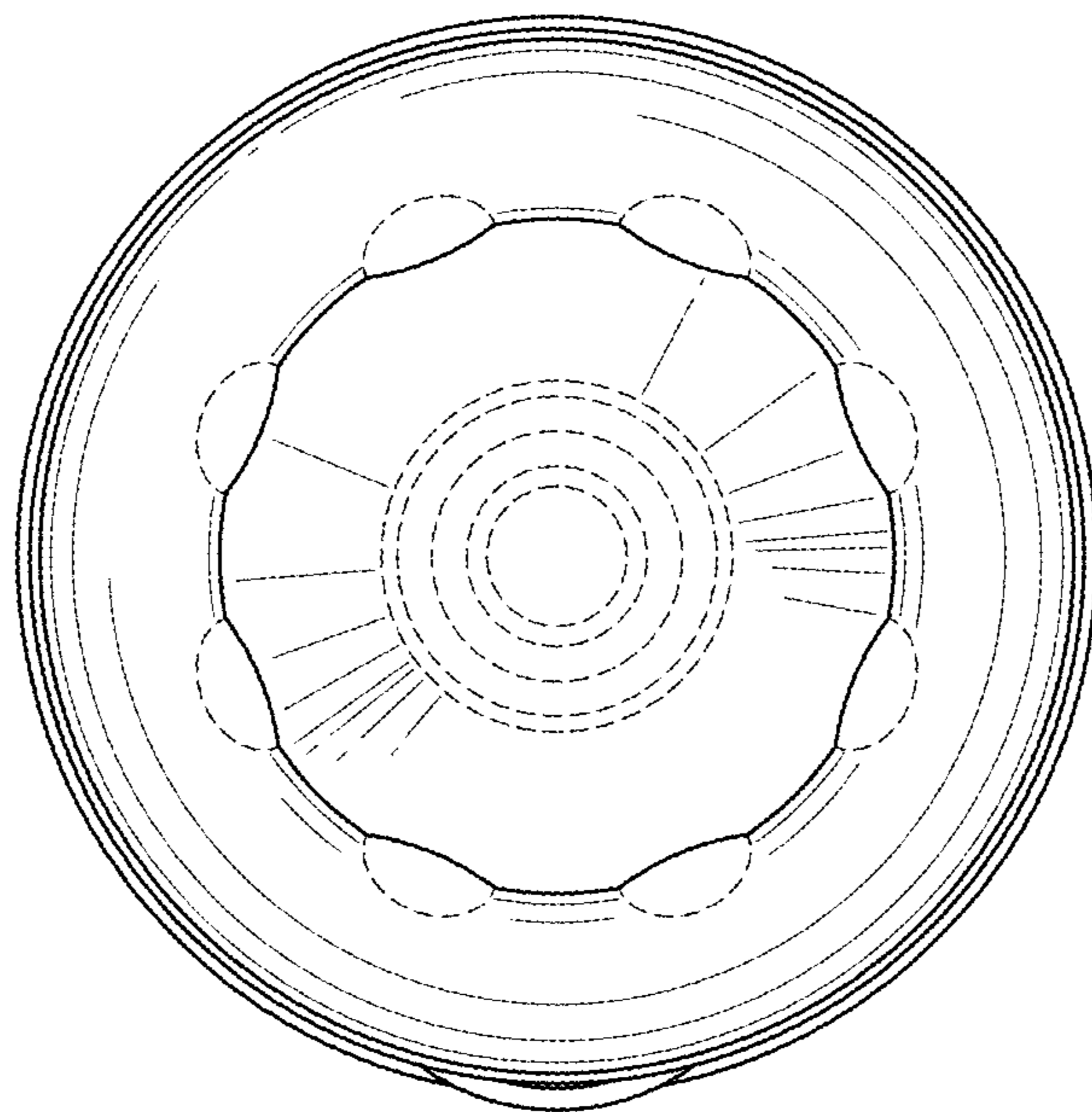


FIG. 20

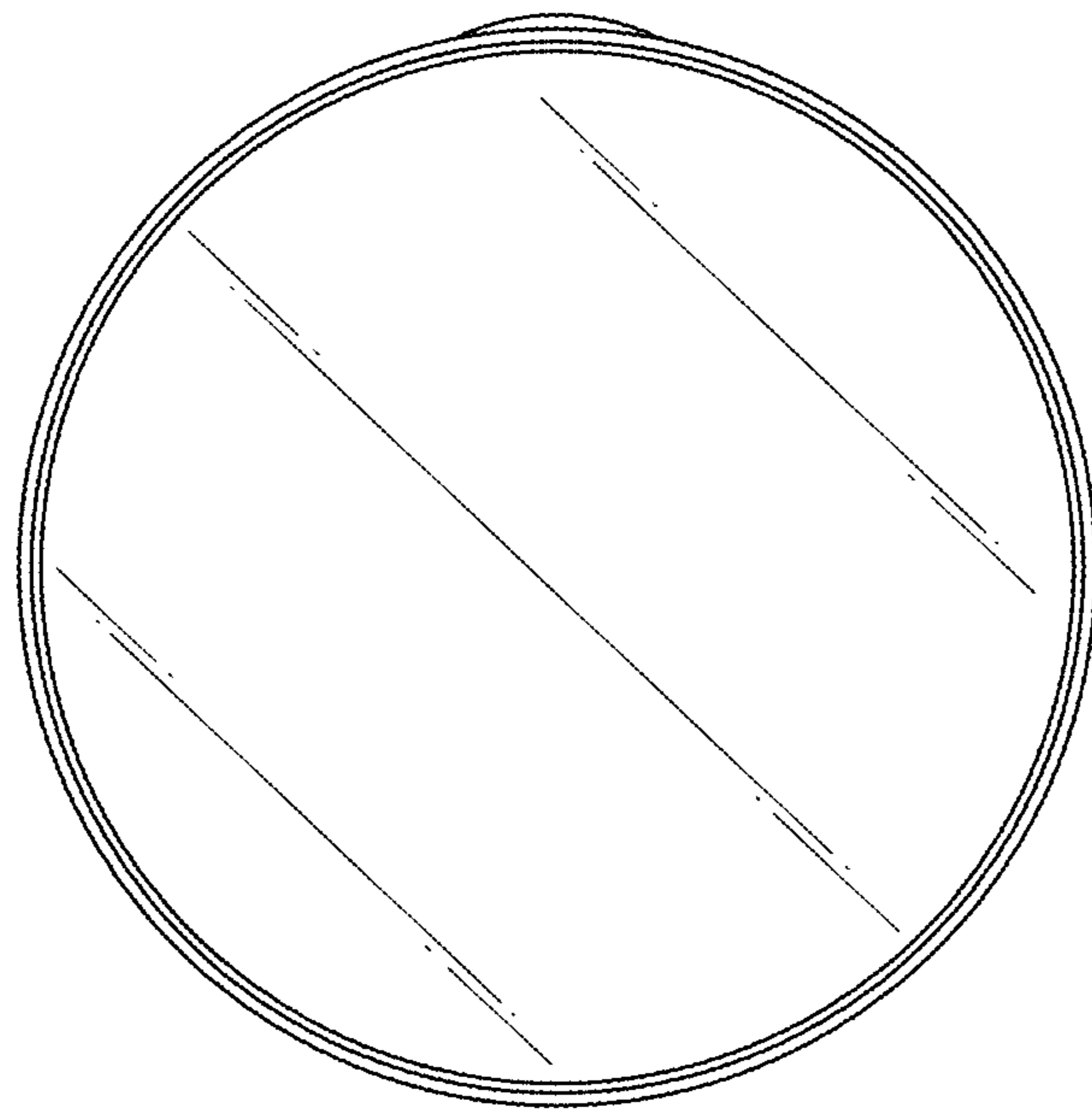


FIG. 21

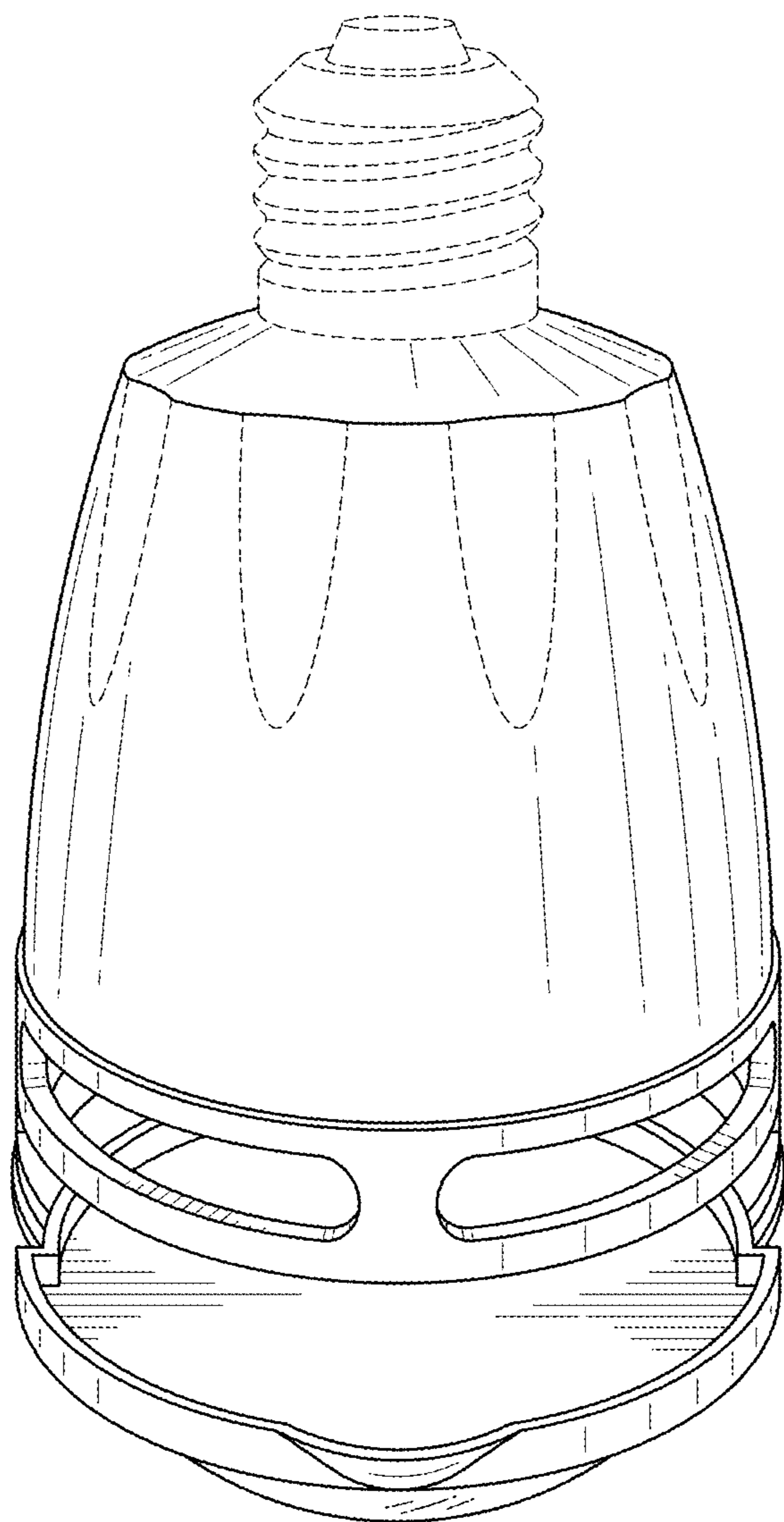


FIG. 22

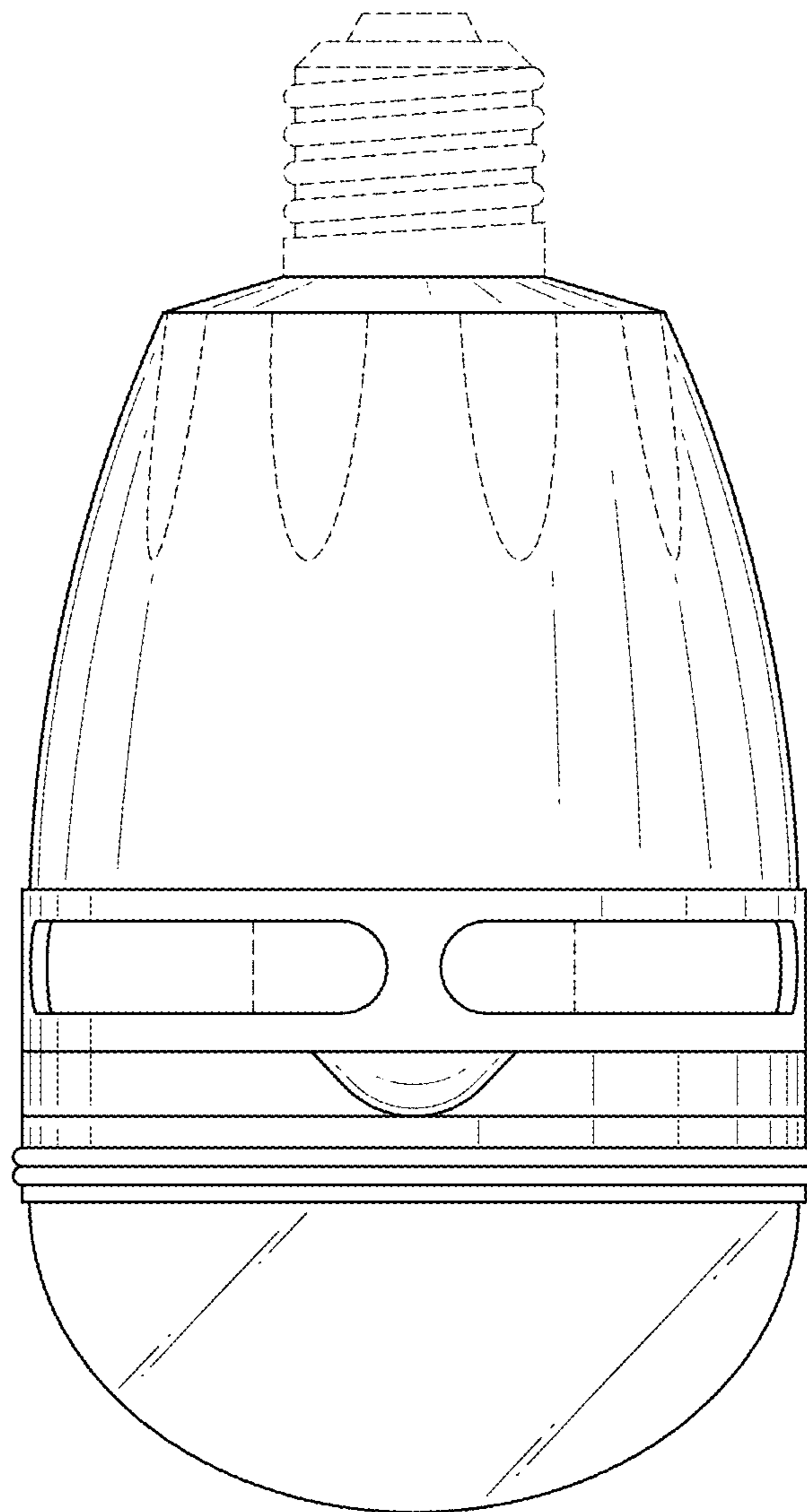


FIG. 23

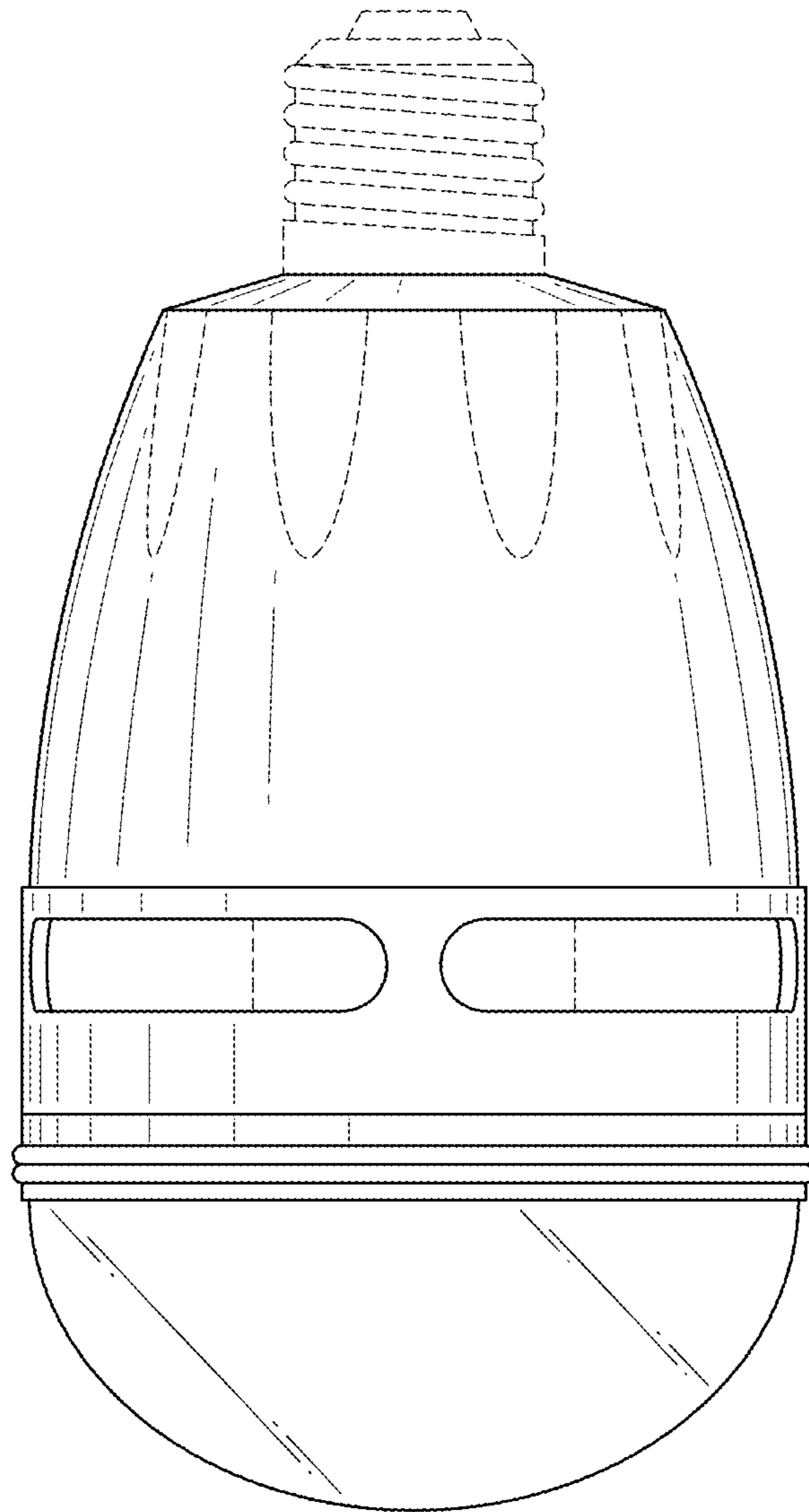


FIG. 24



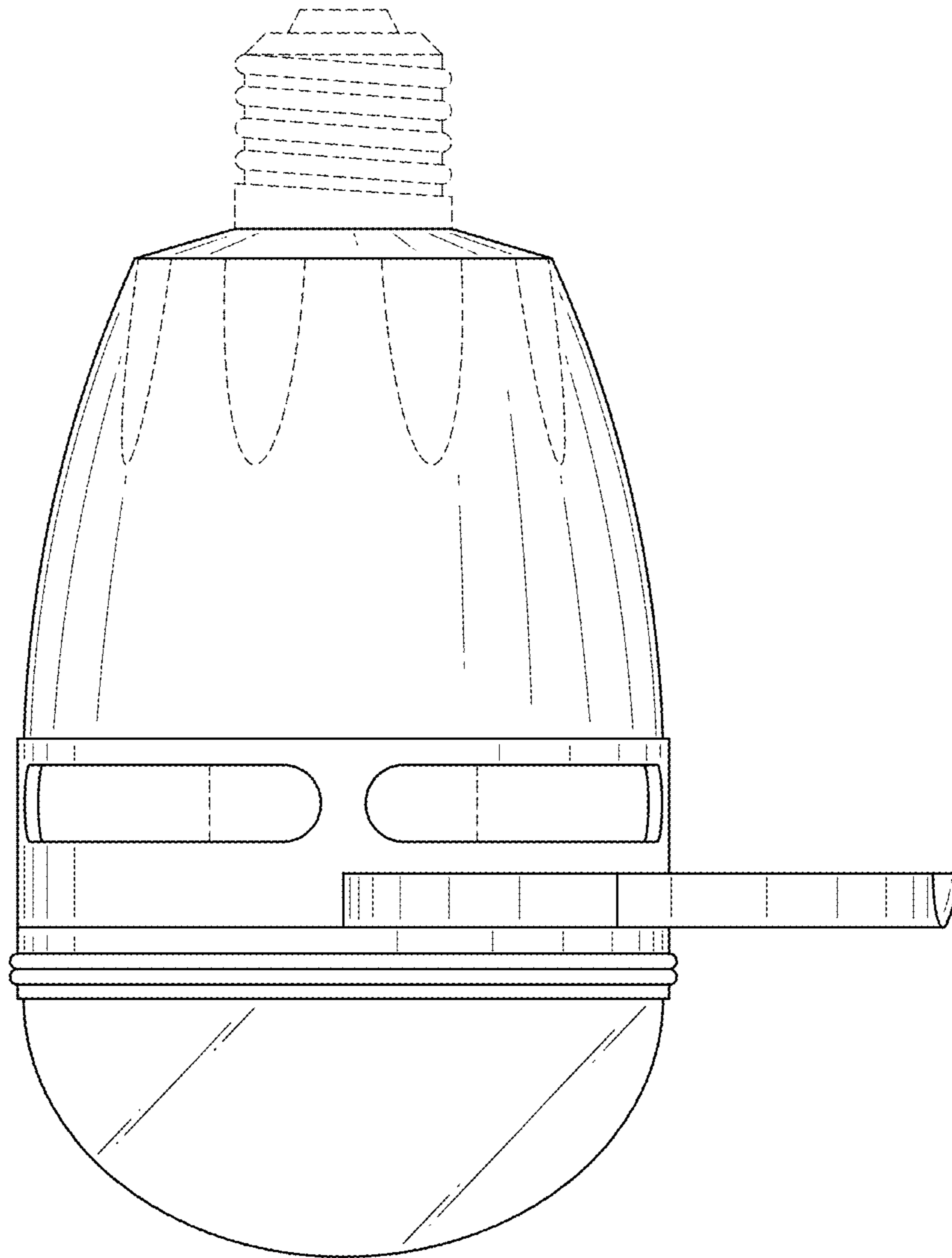


FIG. 25

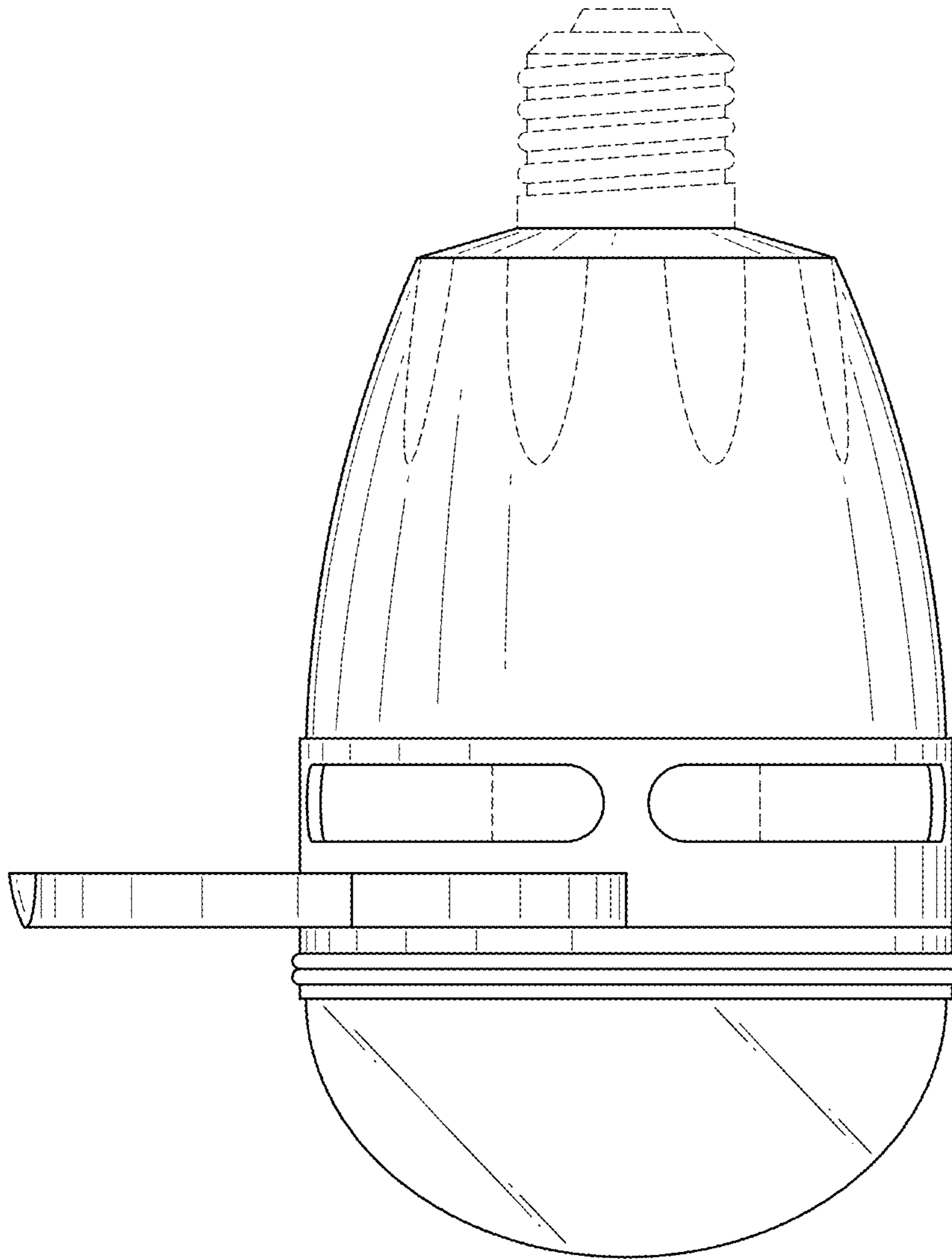


FIG. 26

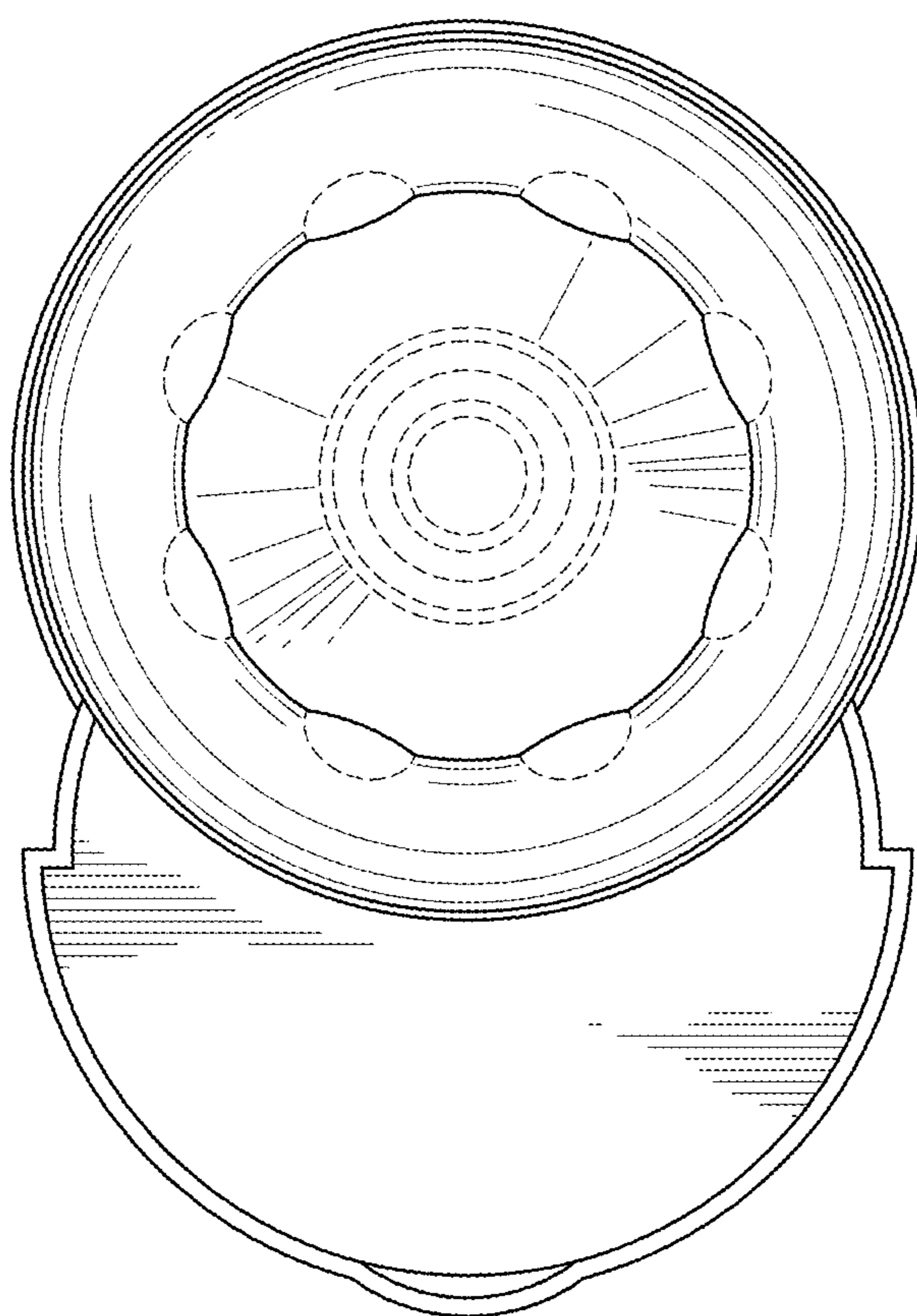


FIG. 27

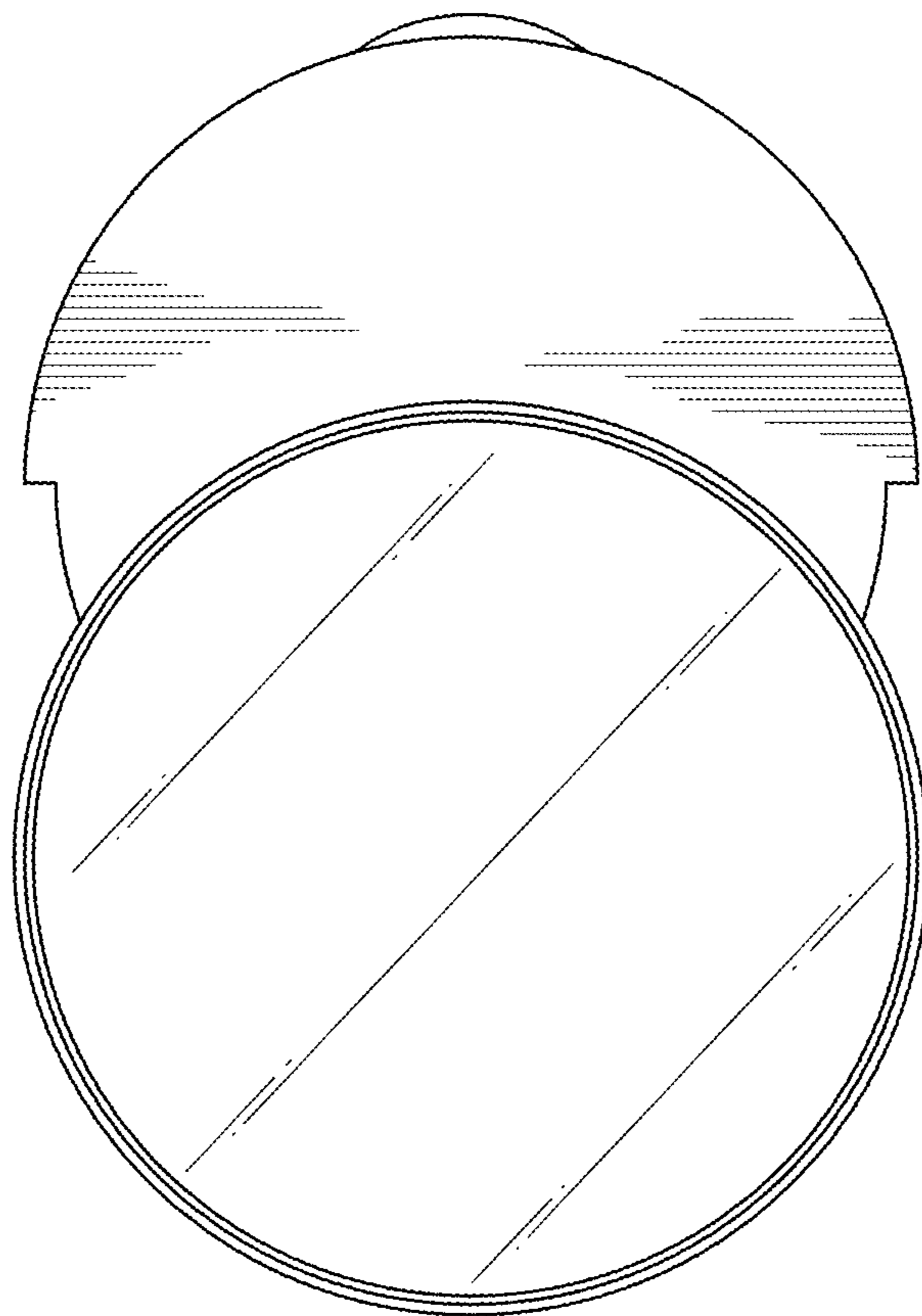


FIG. 28