

US00D824541S

(12) **United States Design Patent**
Villeneuve

(10) **Patent No.:** **US D824,541 S**

(45) **Date of Patent:** **** Jul. 31, 2018**

(54) STEP LADDER EXTENSION	4,800,988 A *	1/1989	Dunmore	E06C 7/08 182/103
(71) Applicant: Pierre Villeneuve , Boynton Beach, FL (US)	5,052,515 A	10/1991	Nowlan	
	D334,812 S *	4/1993	Hart	D25/68
	D388,883 S *	1/1998	Thivierge	D25/68
(72) Inventor: Pierre Villeneuve , Boynton Beach, FL (US)	5,975,240 A	11/1999	O'Brien	
	6,966,406 B2	11/2005	Nash, Jr.	
	D523,156 S *	6/2006	Skaggs	D25/68
	D576,292 S	9/2008	Brown	
(**) Term: 15 Years	2016/0084002 A1 *	3/2016	Eisler	E06C 7/16 182/126

(21) Appl. No.: **29/602,588**

(22) Filed: **May 2, 2017**

(51) **LOC (11) Cl.** **25-04**

(52) **U.S. Cl.**
USPC **D25/68**

(58) **Field of Classification Search**
USPC D25/62-69, 119-125; 182/204, 207,
182/178.4, 178.2, 126, 103, 121
CPC B21D 39/063; E06C 7/083; E06C 7/187;
E06C 7/16; E06C 7/14; E06C 7/165;
E04F 11/108; E04F 11/163; E04F 11/104
See application file for complete search history.

(56) **References Cited**

U.S. PATENT DOCUMENTS

1,820,315 A	8/1931	Miller	
2,282,133 A	5/1942	Horton	
2,553,322 A	5/1951	Kurmer	
3,294,197 A	12/1966	Kwiatkowski	
D248,777 S *	8/1978	Spencer	D25/68
4,618,030 A *	10/1986	Campbell	E06C 7/16 182/121

* cited by examiner

Primary Examiner — Cynthia Ramirez
Assistant Examiner — Gino Colan

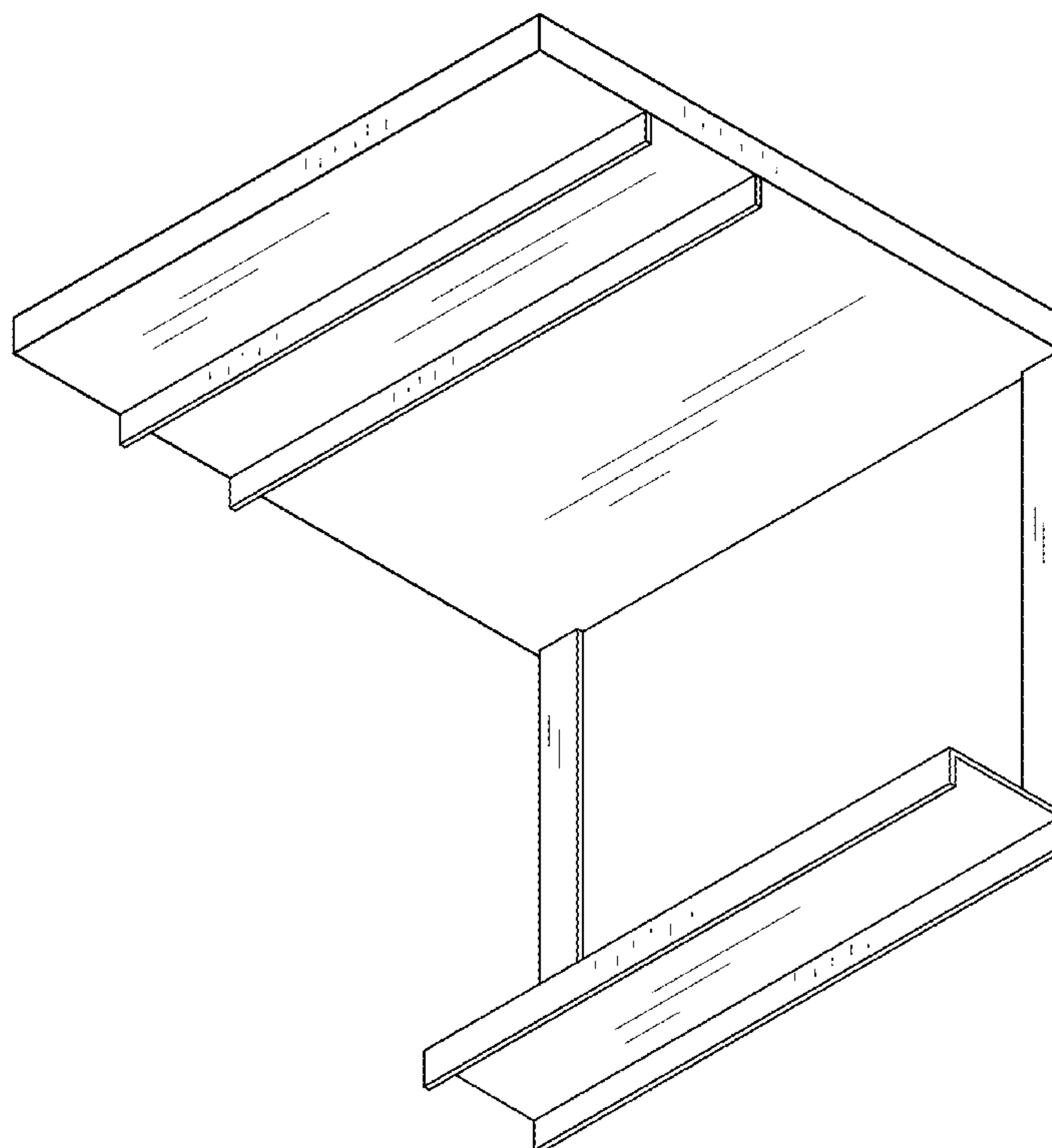
(57) **CLAIM**

I claim the ornamental design for a step ladder extension, as shown and described.

DESCRIPTION

FIG. 1 is a side view of the step ladder extension.
FIG. 2 is a rear view of the claimed design.
FIG. 3 is a front view of the claimed design.
FIG. 4 is a top view of the claimed design.
FIG. 5 is a bottom view of the claimed design.
FIG. 6 is a front top perspective view of the claimed design;
and,
FIG. 7 is a front bottom perspective view of the claimed design.

1 Claim, 5 Drawing Sheets



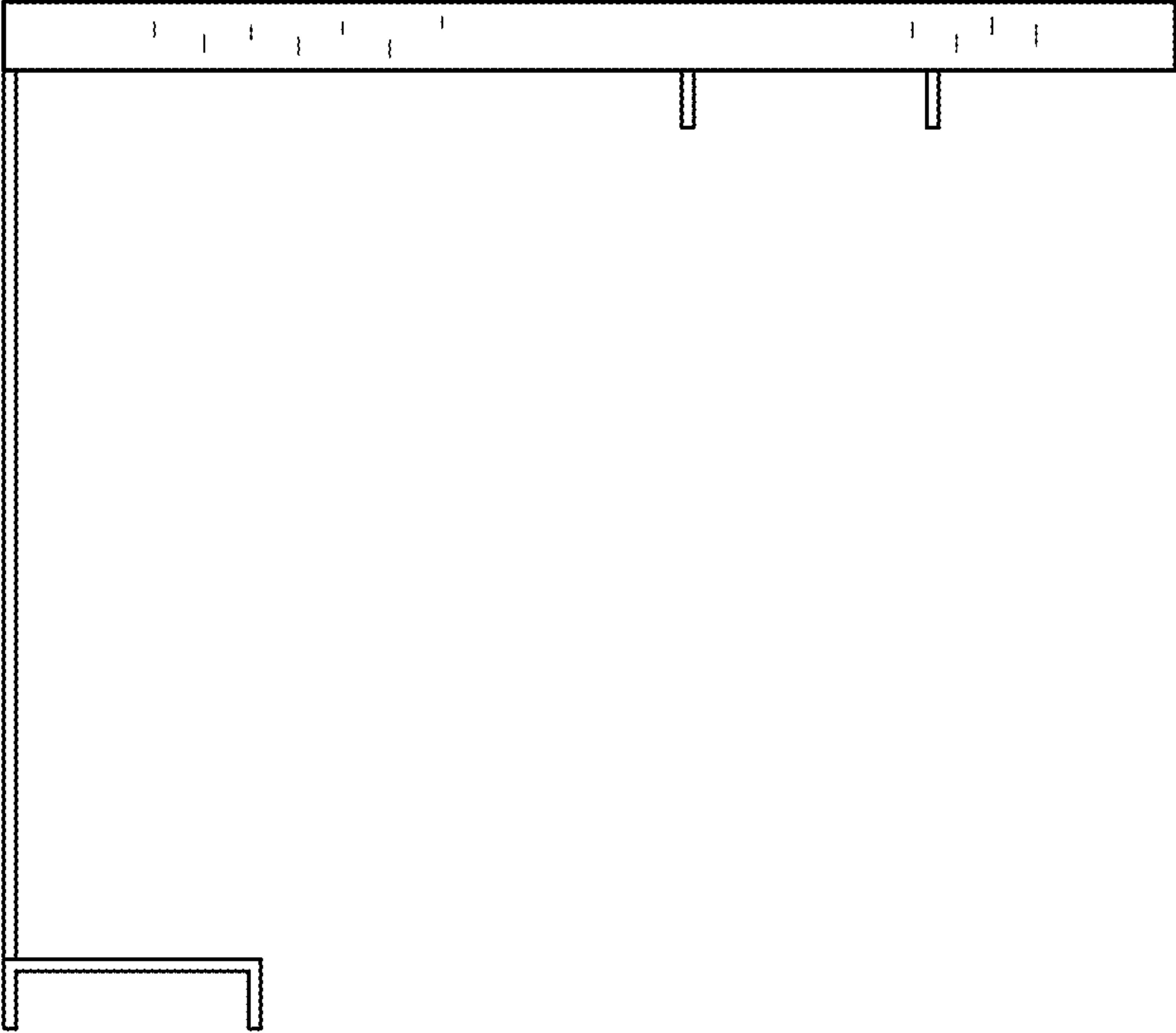


FIG. 1

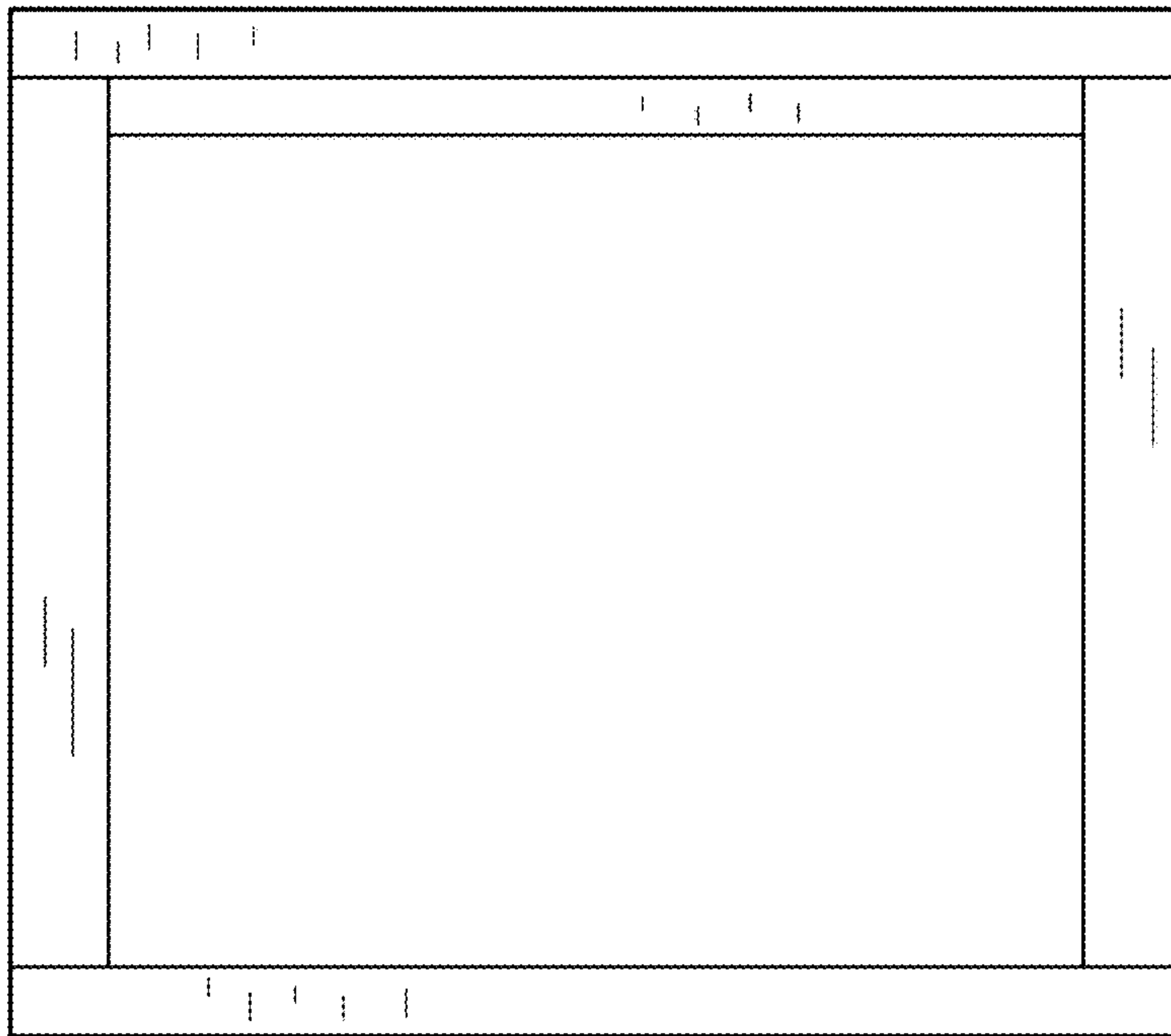


FIG. 2

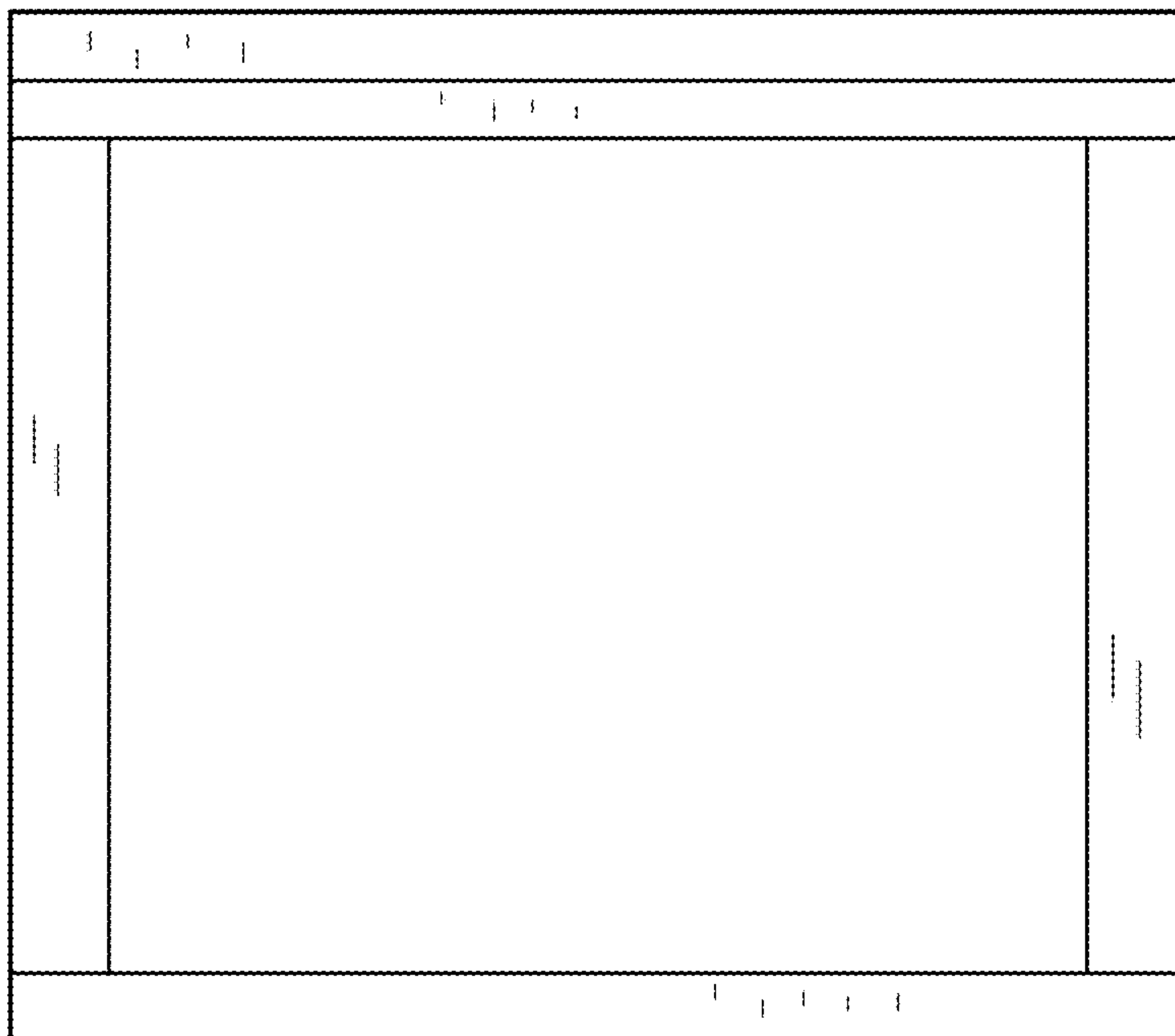


FIG. 3

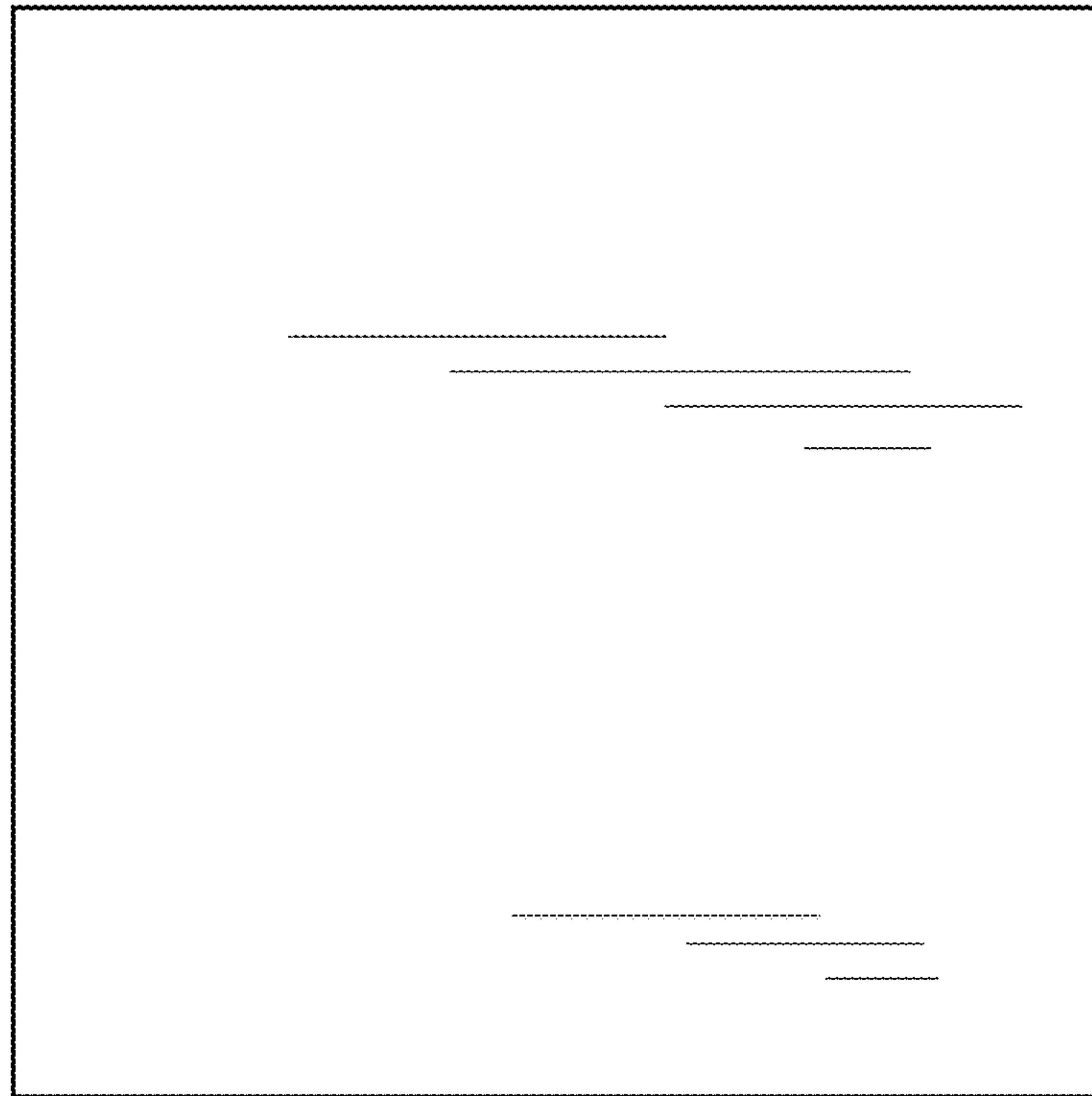


FIG. 4

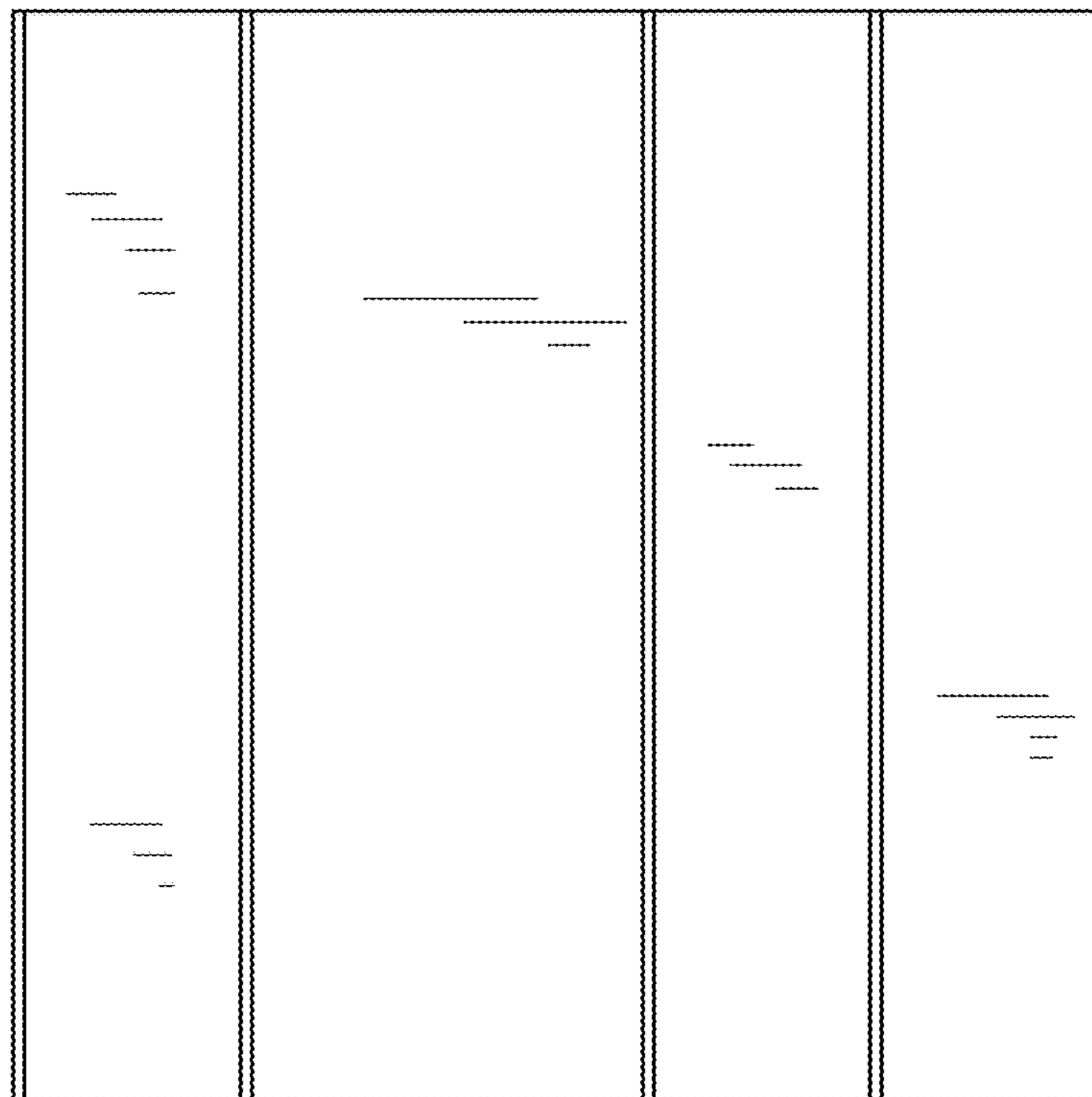


FIG. 5

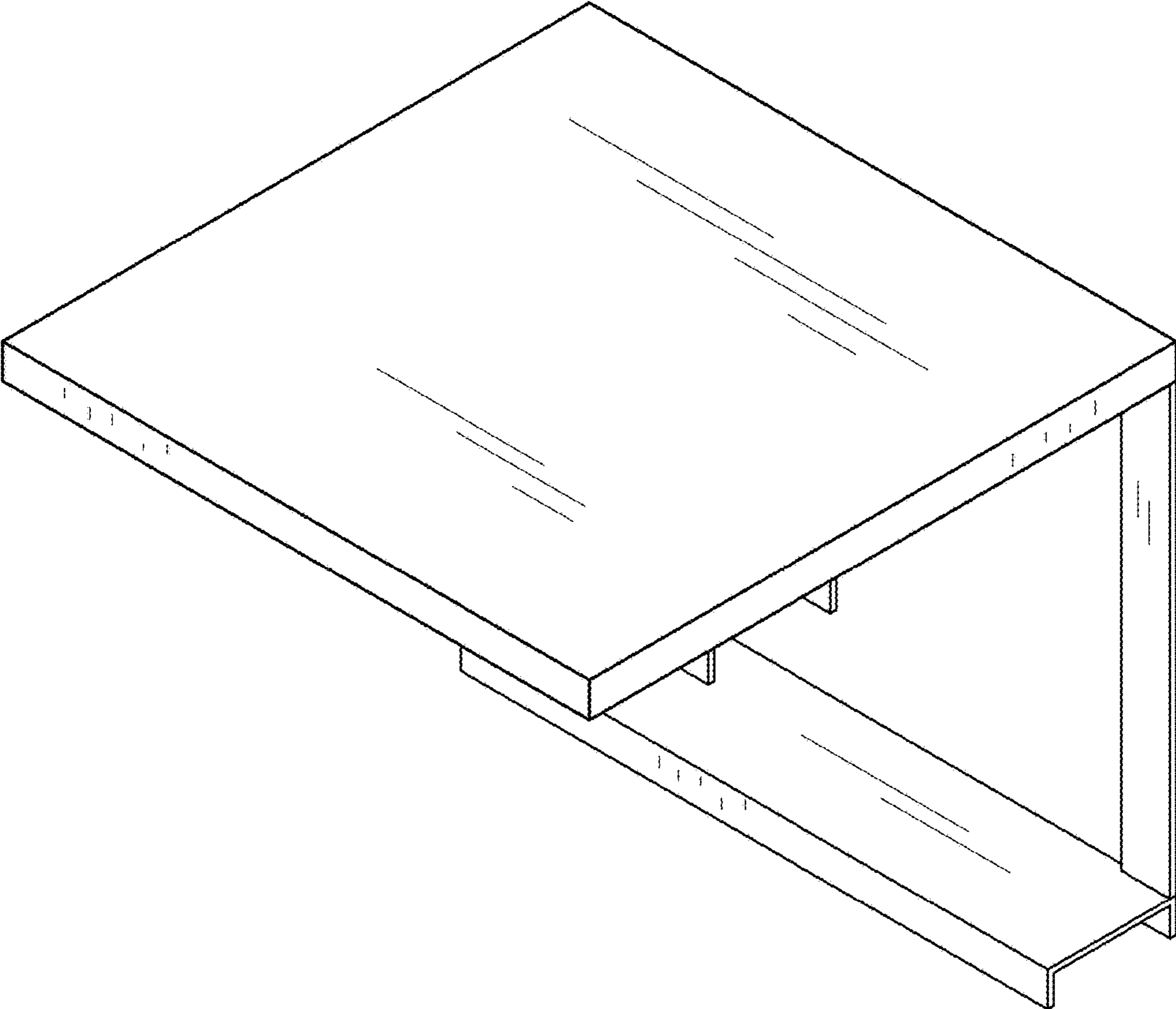


FIG. 6

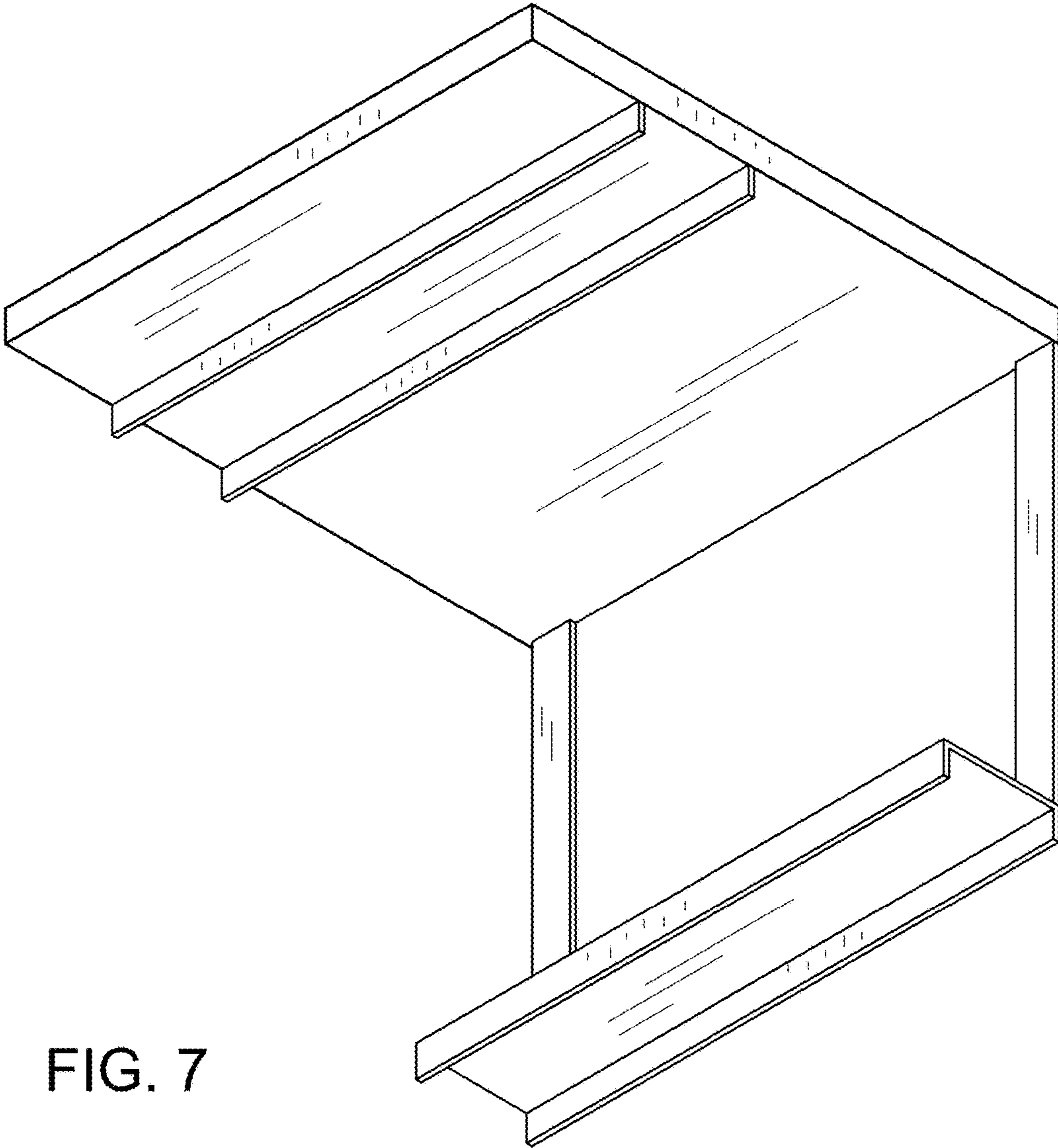


FIG. 7