



US00D824540S

(12) **United States Design Patent**  
**Niederer**

(10) **Patent No.:** **US D824,540 S**  
(45) **Date of Patent:** **\*\* \*Jul. 31, 2018**

- (54) **GUN RANGE SHOOTING STAND**
- (71) Applicant: **David Niederer**, Decatur, TX (US)
- (72) Inventor: **David Niederer**, Decatur, TX (US)
- (\*) Notice: This patent is subject to a terminal disclaimer.
- (\*\*) Term: **15 Years**
- (21) Appl. No.: **29/561,968**
- (22) Filed: **Apr. 21, 2016**
- (51) **LOC (11) Cl.** ..... **25-04**
- (52) **U.S. Cl.**  
USPC ..... **D25/62**
- (58) **Field of Classification Search**  
USPC ..... D25/62-69, 38.1; 182/222, 179.1, 84,  
182/88; 52/7, 126.7, 126.6, 87, 634,  
52/650.3, 630; 211/153, 134, 150, 182,  
211/90.01, 119.003, 195, 90.02; 108/42,  
108/147.17, 48; 248/250, 207; 312/408,  
312/410; D8/382, 381, 380, 363, 354;  
D6/570, 566, 567, 568, 569, 682, 574,  
D6/573, 572, 571, 652.1, 653.11, 661,  
D6/674, 678.1, 705; D34/32  
CPC . E04H 3/28; E04H 3/26; B60R 3/007; A01M  
31/00; A01M 31/025; E06C 7/16; A61G  
3/061; A61G 5/08; A61G 5/104; B65G  
69/30; B60P 1/436; B60P 1/44  
See application file for complete search history.

(56) **References Cited**

**U.S. PATENT DOCUMENTS**

- 5,158,157 A \* 10/1992 Billington, III ..... B66F 11/04  
182/113
- D354,359 S \* 1/1995 Hylton ..... D25/62
- 6,253,878 B1 \* 7/2001 Wells ..... B66B 9/025  
182/141
- 7,225,898 B2 \* 6/2007 Bourgeois ..... B66B 9/0861  
182/149

- 7,370,728 B1 \* 5/2008 Mann ..... A01M 31/02  
182/187
- 7,513,333 B2 \* 4/2009 Davis ..... E06C 5/02  
182/115
- D719,680 S \* 12/2014 Priest ..... D25/62
- D721,186 S \* 1/2015 Wheelington ..... D25/62
- 2003/0178259 A1 \* 9/2003 Henderson ..... B66B 9/04  
187/275
- 2007/0074935 A1 \* 4/2007 Zahn ..... B66F 9/07545  
182/141
- 2007/0169996 A1 \* 7/2007 Blue ..... A01M 31/02  
182/141
- 2011/0180351 A1 \* 7/2011 Cama ..... A01M 31/02  
182/222

\* cited by examiner

*Primary Examiner* — Cynthia Ramirez

*Assistant Examiner* — Gino Colan

(74) *Attorney, Agent, or Firm* — David G. Moore

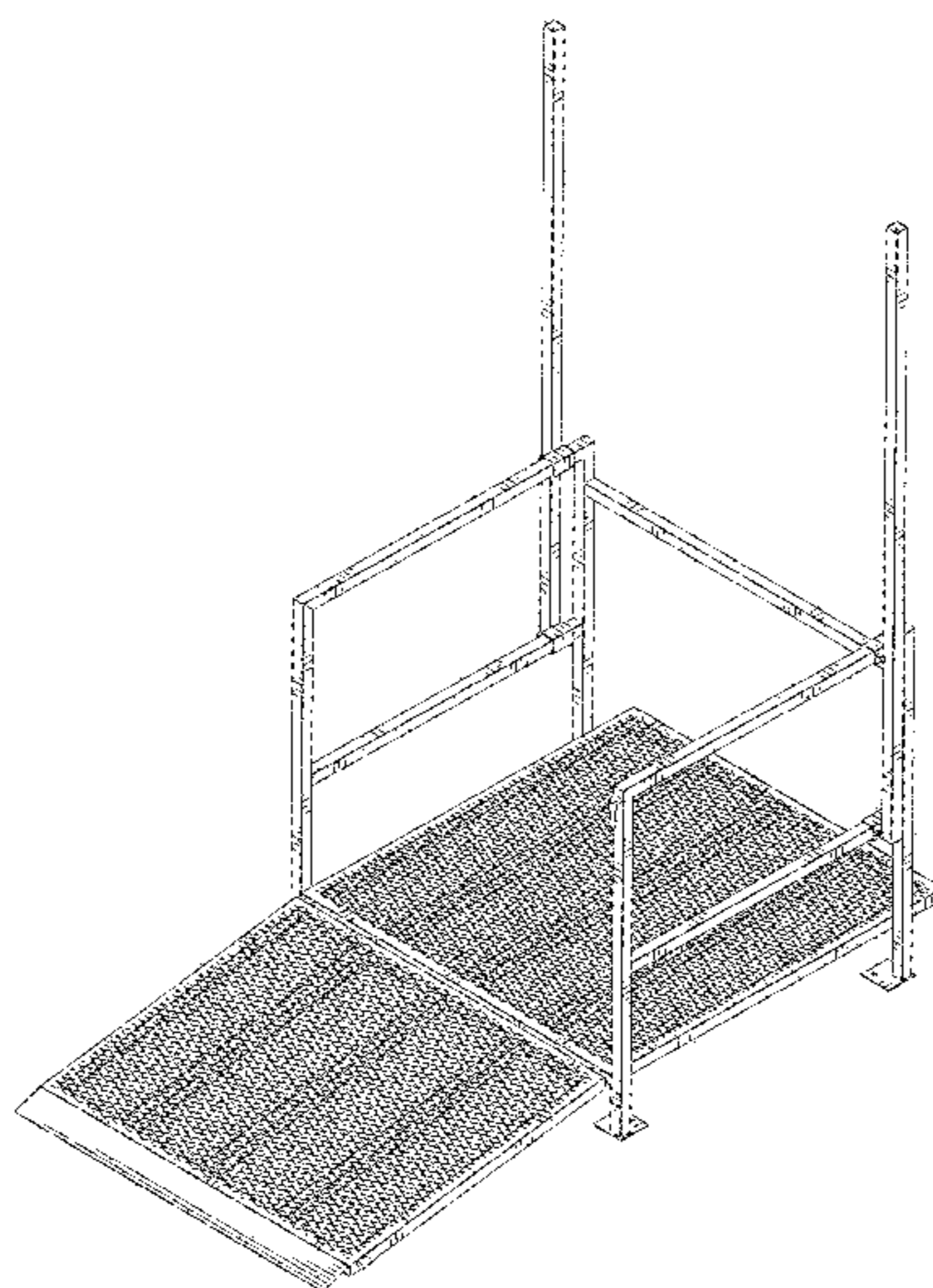
(57) **CLAIM**

The ornamental design for a gun range shooting stand, as shown and described.

**DESCRIPTION**

FIG. 1 is a perspective view of the gun range shooting stand, showing my new design;  
 FIG. 2 is a rear elevational view thereof;  
 FIG. 3 is a front elevational view thereof;  
 FIG. 4 is a left side elevational view thereof;  
 FIG. 5 is a right side elevational view thereof;  
 FIG. 6 is a top plan view thereof;  
 FIG. 7 is a bottom plan view thereof; and,  
 FIG. 8 is another perspective view thereof.  
 The broken lines shown in FIGS. 2, 4 and 5 are for the purpose of illustrating portions of the gun range shooting stand and form no part of the claimed design. The broken lines showing a person, a wheelchair and a rifle in FIG. 8 are included for the purpose of illustrating environment and forms no part of the claimed design.

**1 Claim, 8 Drawing Sheets**



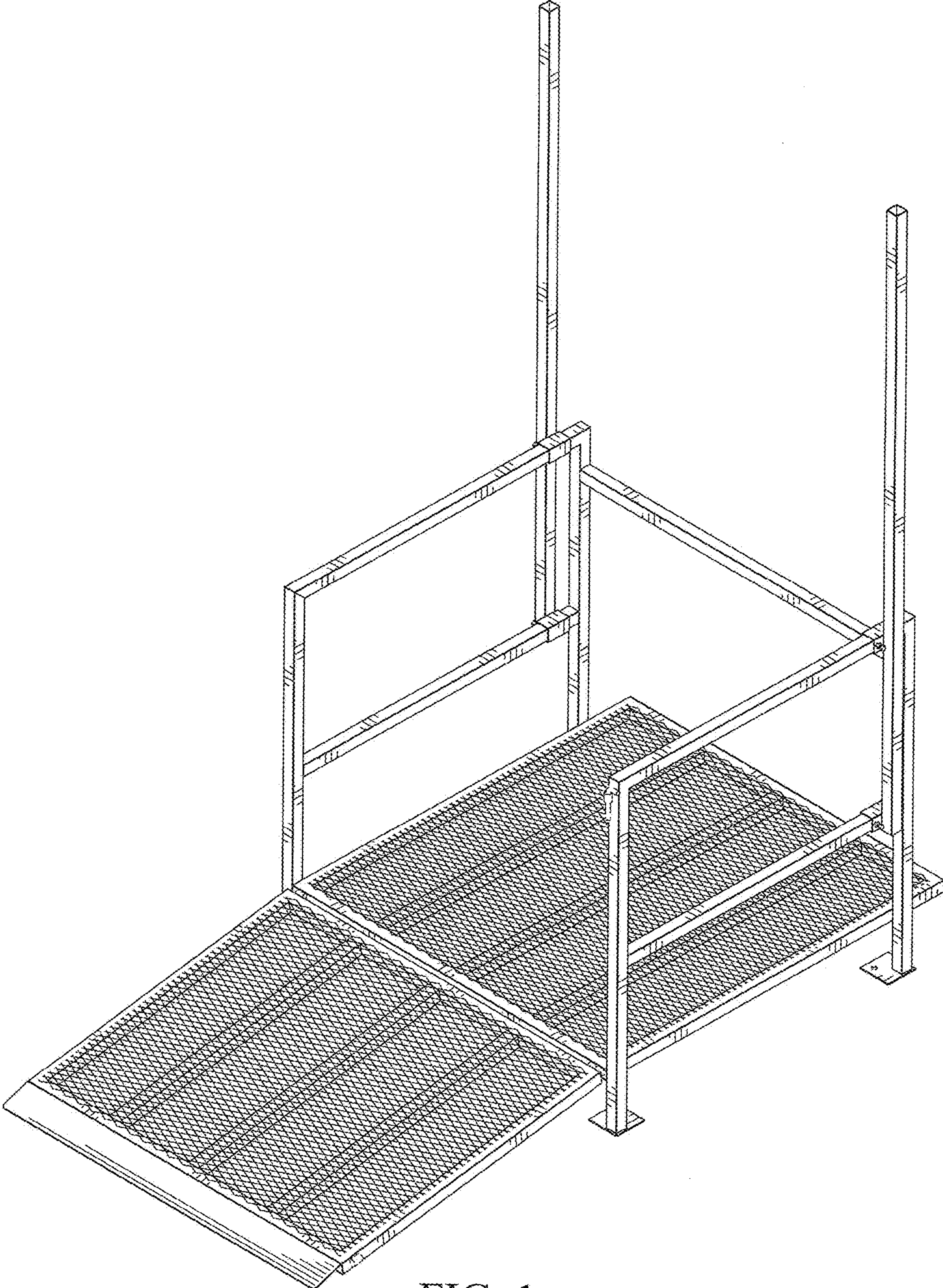


FIG. 1

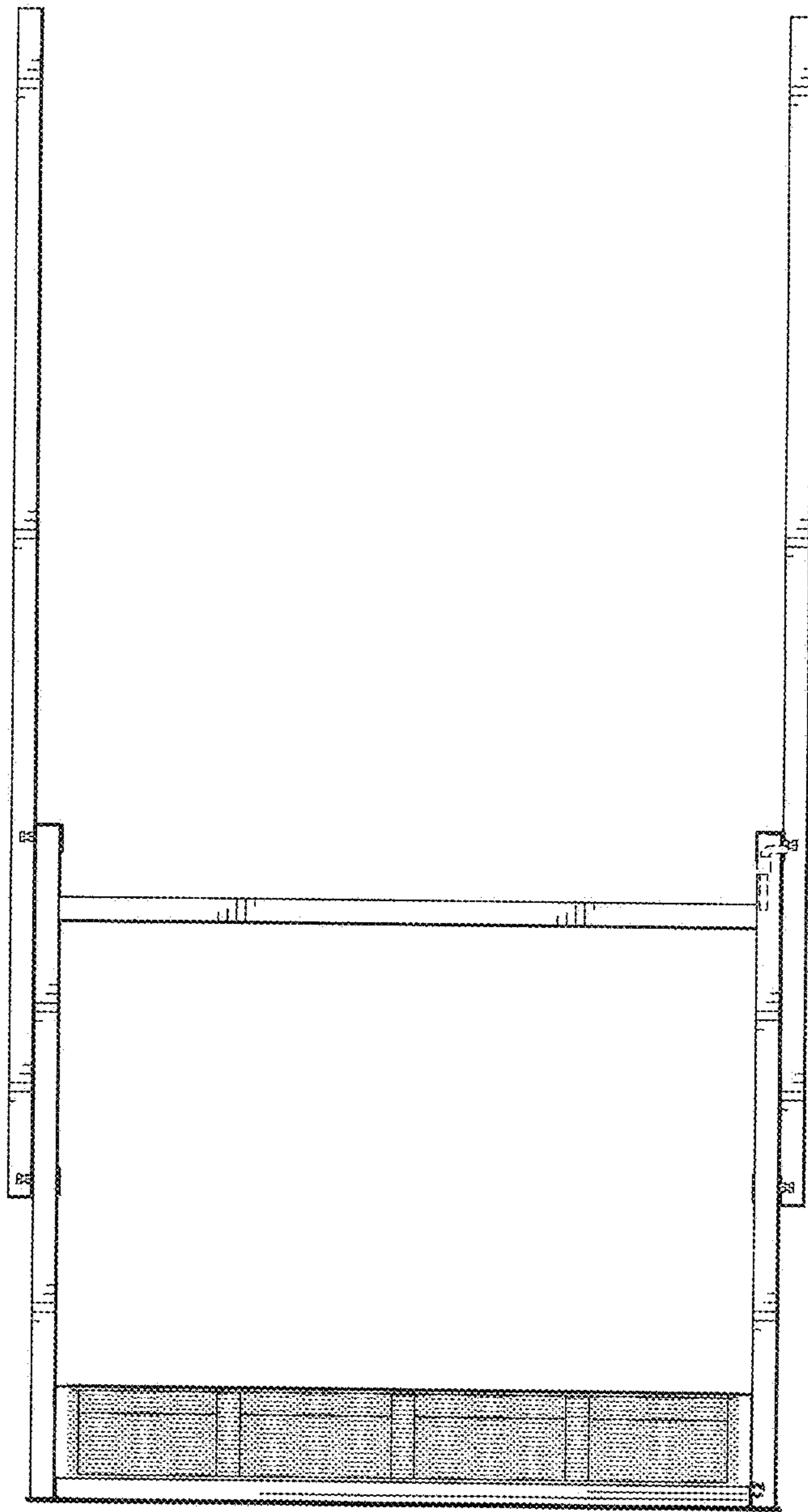


FIG. 2

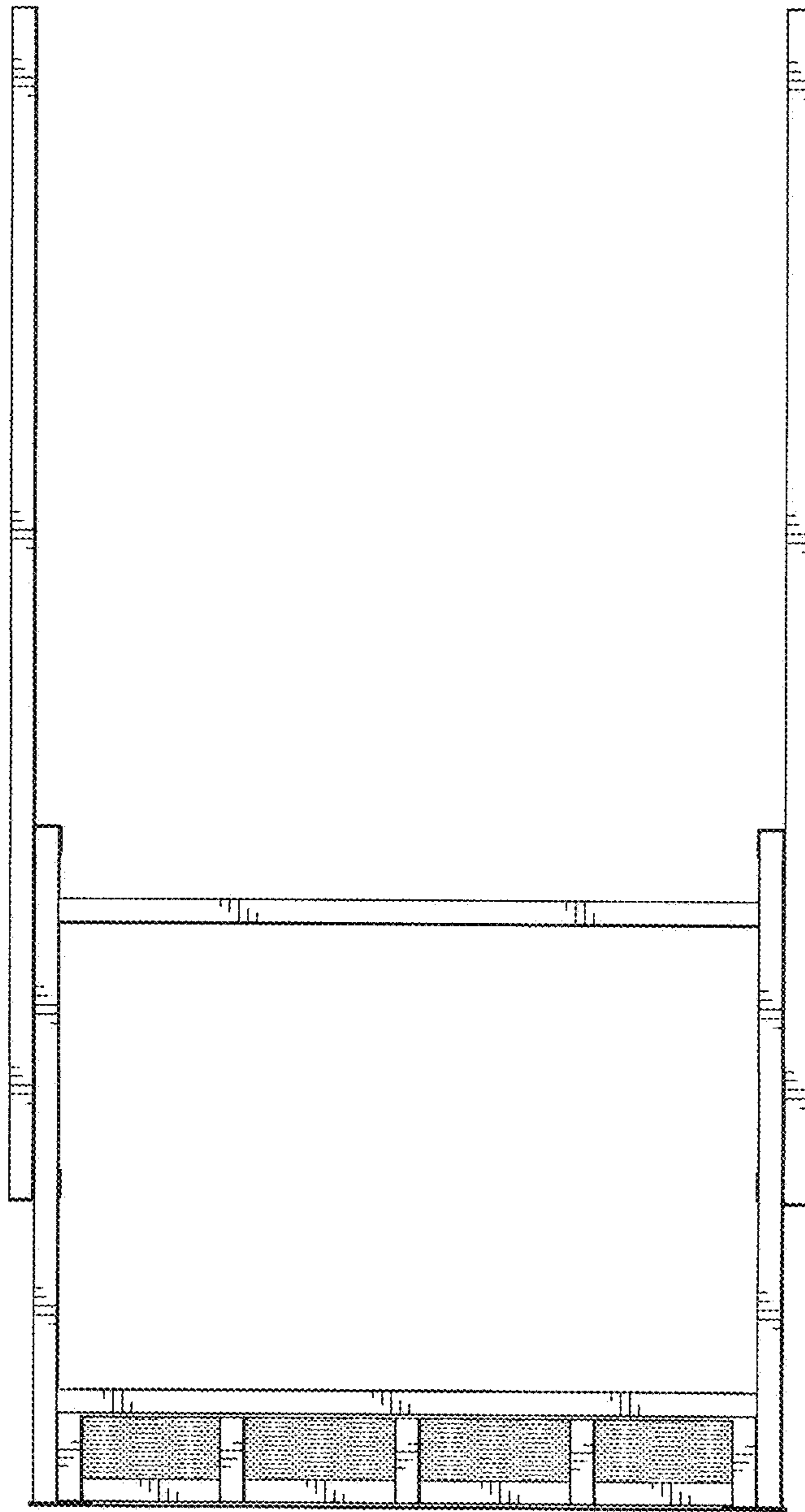
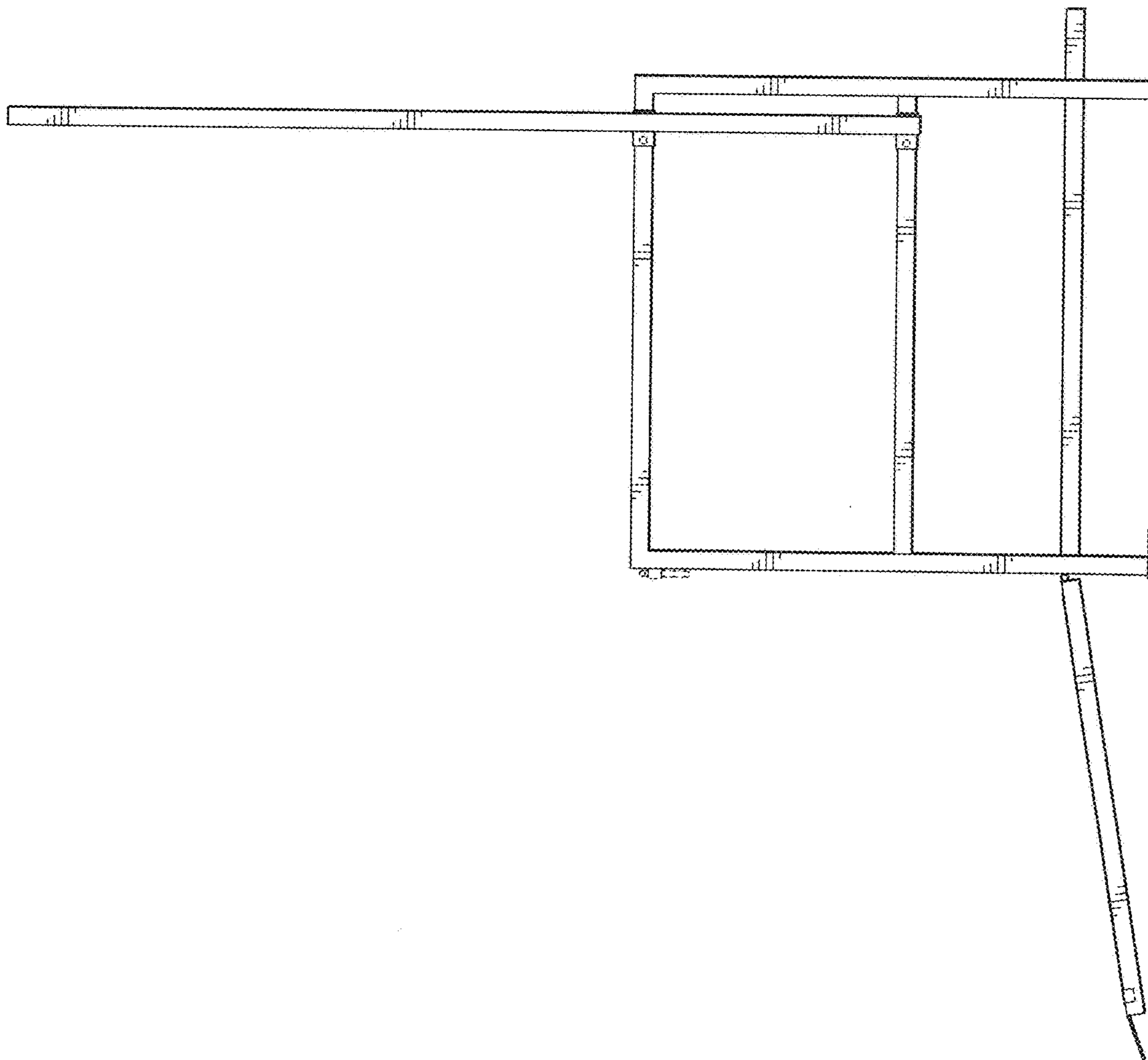


FIG. 3

FIG. 4



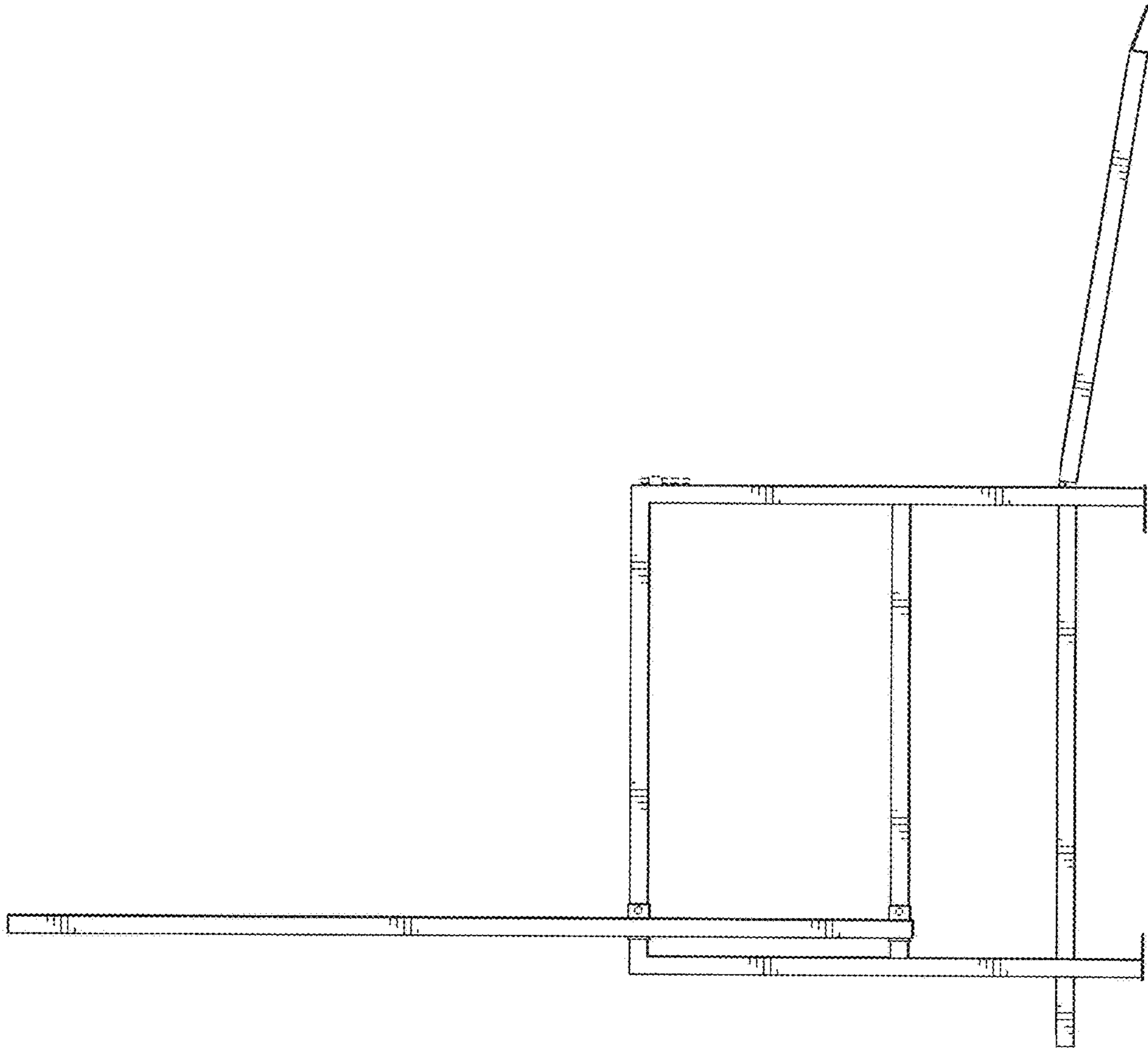


FIG. 5

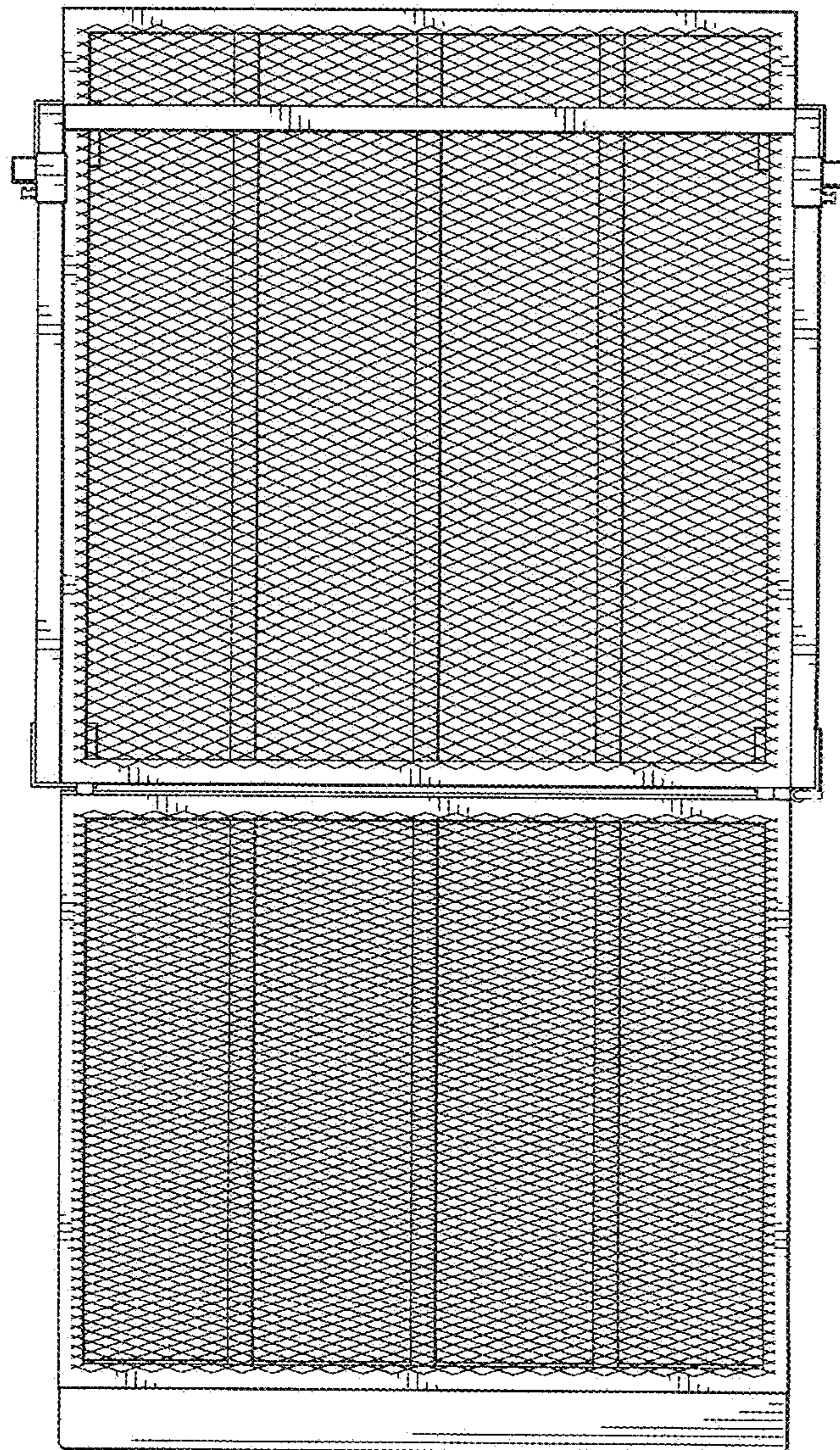


FIG. 6

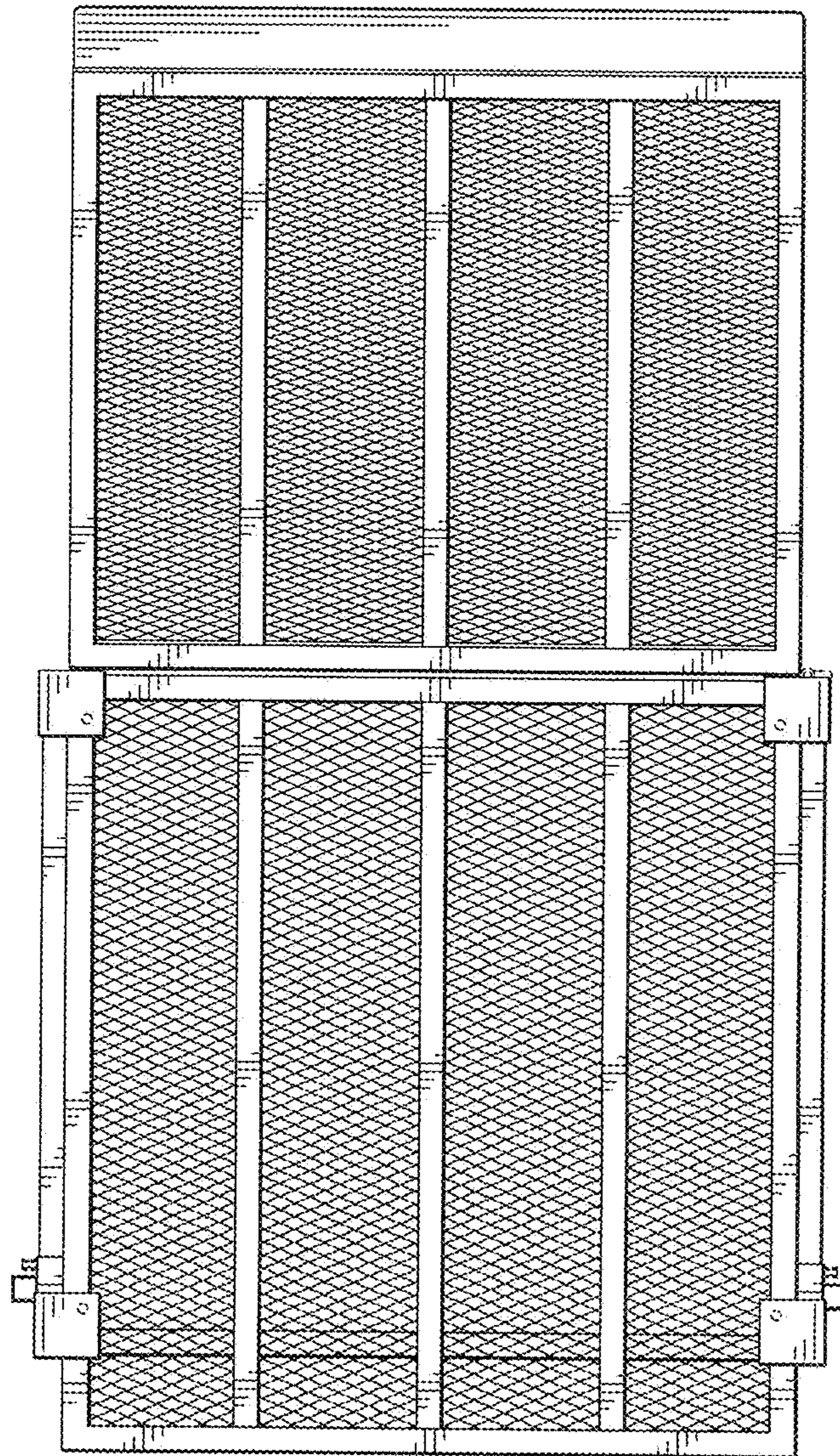


FIG. 7



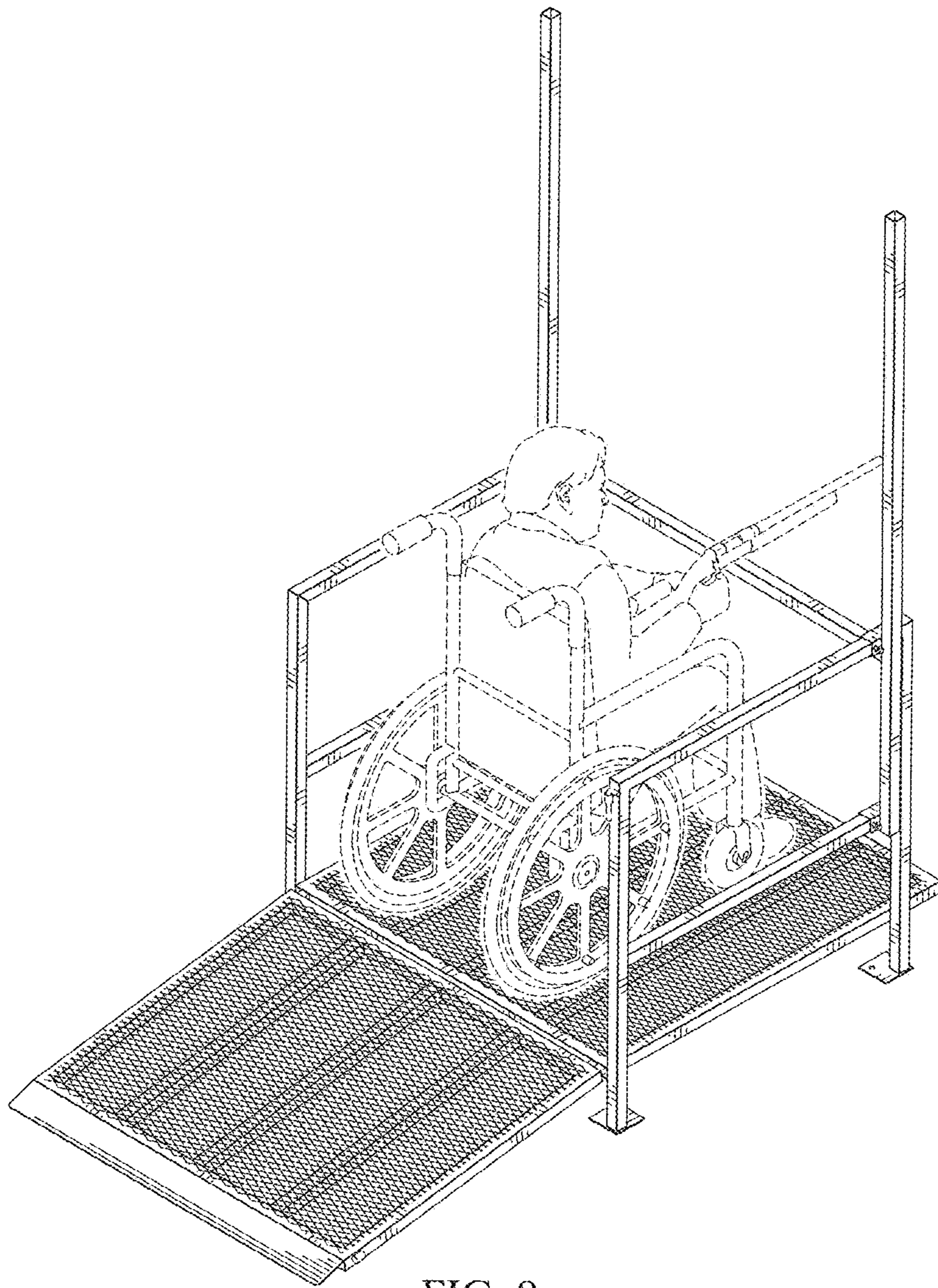


FIG. 8