



US00D824538S

(12) **United States Design Patent**
Music et al.

(10) **Patent No.:** **US D824,538 S**
(45) **Date of Patent:** **** Jul. 31, 2018**

(54) **RETAIL FIXTURE**

- (71) Applicant: **Sonos, Inc.**, Santa Barbara, CA (US)
- (72) Inventors: **Fernando Music**, Santa Barbara, CA (US); **Anthony Sperduti**, Santa Barbara, CA (US)
- (73) Assignee: **Sonos, Inc.**, Santa Barbara, CA (US)
- (**) Term: **15 Years**
- (21) Appl. No.: **29/551,803**
- (22) Filed: **Jan. 15, 2016**
- (51) **LOC (11) Cl.** **25-03**
- (52) **U.S. Cl.**
USPC **D25/17**
- (58) **Field of Classification Search**
USPC D21/494, 500, 501, 502, 506, 507, 508,
D21/511, 836, 838; D25/1, 3, 4, 12, 15,
(Continued)

(56) **References Cited**

U.S. PATENT DOCUMENTS

- D55,485 S * 6/1920 Payne D21/511
 - D262,098 S * 12/1981 Odle D11/133
- (Continued)

OTHER PUBLICATIONS

“Baristart Coffee”, Knows Only Blazing, Jun. 10, 2015, <http://k-o-blazing.jugem.jp/?eid=37> on Aug. 25, 2017, 3 pages.
(Continued)

Primary Examiner — Susan Bennett Hattan
Assistant Examiner — Suzanne E Tisdell
(74) *Attorney, Agent, or Firm* — KPPB LLP

(57) **CLAIM**

The ornamental design for a retail fixture, as shown and described.

DESCRIPTION

FIG. 1 is a front elevational view of the retail fixture in accordance with a first embodiment of the invention.

FIG. 2 is a rear elevational view of the retail fixture in accordance with the first embodiment of the invention.
 FIG. 3 is a top elevational view of the retail fixture in accordance with the first embodiment of the invention.
 FIG. 4 is a bottom elevational view of the retail fixture in accordance with the first embodiment of the invention.
 FIG. 5 is a first side elevational view of the retail fixture in accordance with the first embodiment of the invention.
 FIG. 6 is a second side elevational view of the retail fixture in accordance with the first embodiment of the invention.
 FIG. 7 is a front elevational view of the retail fixture in accordance with a second embodiment of the invention.
 FIG. 8 is a rear elevational view of the retail fixture in accordance with the second embodiment of the invention.
 FIG. 9 is a top elevational view of the retail fixture in accordance with the second embodiment of the invention.
 FIG. 10 is a bottom elevational view of the retail fixture in accordance with the second embodiment of the invention.
 FIG. 11 is a first side elevational view of the retail fixture in accordance with the second embodiment of the invention.
 FIG. 12 is a second side elevational view of the retail fixture in accordance with the second embodiment of the invention.
 FIG. 13 is a front elevational view of the retail fixture in accordance with a third embodiment of the invention.
 FIG. 14 is a rear elevational view of the retail fixture in accordance with the third embodiment of the invention.
 FIG. 15 is a top elevational view of the retail fixture in accordance with the third embodiment of the invention.
 FIG. 16 is a bottom elevational view of the retail fixture in accordance with the third embodiment of the invention.
 FIG. 17 is a first side elevational view of the retail fixture in accordance with the third embodiment of the invention.
 FIG. 18 is a second side elevational view of the retail fixture in accordance with the third embodiment of the invention.
 FIG. 19 is a front elevational view of the retail fixture in accordance with a fourth embodiment of the invention.
 FIG. 20 is a rear elevational view of the retail fixture in accordance with the fourth embodiment of the invention.
 FIG. 21 is a top elevational view of the retail fixture in accordance with the fourth embodiment of the invention.
 FIG. 22 is a bottom elevational view of the retail fixture in accordance with the fourth embodiment of the invention.

(Continued)

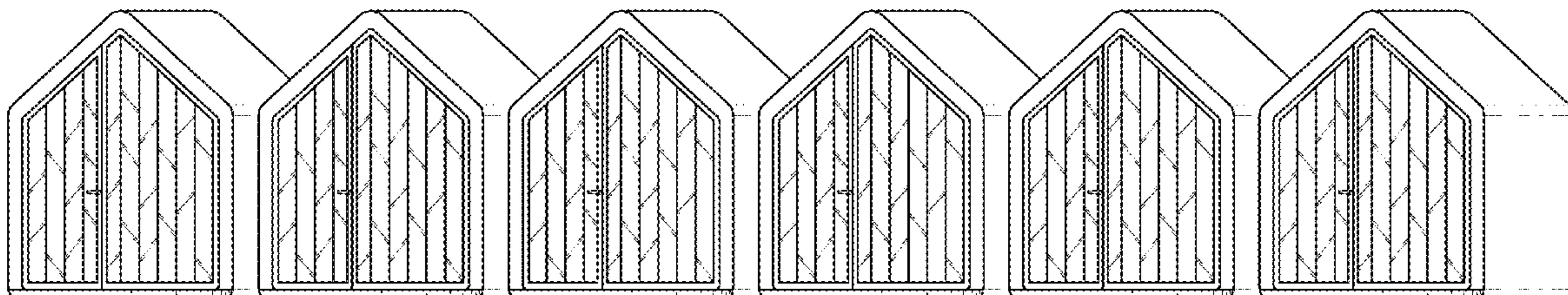


FIG. 23 is a first side elevational view of the retail fixture in accordance with the fourth embodiment of the invention.
 FIG. 24 is a second side elevational view of the retail fixture in accordance with the fourth embodiment of the invention.
 FIG. 25 is a front elevational view of the retail fixture in accordance with a fifth embodiment of the invention.
 FIG. 26 is a rear elevational view of the retail fixture in accordance with the fifth embodiment of the invention.
 FIG. 27 is a top elevational view of the retail fixture in accordance with the fifth embodiment of the invention.
 FIG. 28 is a bottom elevational view of the retail fixture in accordance with the fifth embodiment of the invention.
 FIG. 29 is a first side elevational view of the retail fixture in accordance with the fifth embodiment of the invention.
 FIG. 30 is a second side elevational view of the retail fixture in accordance with the fifth embodiment of the invention.
 FIG. 31 is a front elevational view of the retail fixture in accordance with a sixth embodiment of the invention.
 FIG. 32 is a rear elevational view of the retail fixture in accordance with the sixth embodiment of the invention.
 FIG. 33 is a top elevational view of the retail fixture in accordance with the sixth embodiment of the invention.
 FIG. 34 is a bottom elevational view of the retail fixture in accordance with the sixth embodiment of the invention.
 FIG. 35 is a first side elevational view of the retail fixture in accordance with the sixth embodiment of the invention.
 FIG. 36 is a second side elevational view of the retail fixture in accordance with the sixth embodiment of the invention.
 FIG. 37 is a front elevational view of the retail fixture in accordance with a seventh embodiment of the invention.
 FIG. 38 is a rear elevational view of the retail fixture in accordance with the seventh embodiment of the invention.
 FIG. 39 is a top elevational view of the retail fixture in accordance with the seventh embodiment of the invention.
 FIG. 40 is a bottom elevational view of the retail fixture in accordance with the seventh embodiment of the invention.
 FIG. 41 is a first side elevational view of the retail fixture in accordance with the seventh embodiment of the invention.
 FIG. 42 is a second side elevational view of the retail fixture in accordance with the seventh embodiment of the invention.
 FIG. 43 is a front elevational view of the retail fixture in accordance with an eighth embodiment of the invention.
 FIG. 44 is a rear elevational view of the retail fixture in accordance with the eighth embodiment of the invention.
 FIG. 45 is a top elevational view of the retail fixture in accordance with the eighth embodiment of the invention.
 FIG. 46 is a bottom elevational view of the retail fixture in accordance with the eighth embodiment of the invention.
 FIG. 47 is a first side elevational view of the retail fixture in accordance with the eighth embodiment of the invention.
 FIG. 48 is a second side elevational view of the retail fixture in accordance with the eighth embodiment of the invention.
 FIG. 49 is a front elevational view of the retail fixture in accordance with a ninth embodiment of the invention.
 FIG. 50 is a rear elevational view of the retail fixture in accordance with the ninth embodiment of the invention.
 FIG. 51 is a top elevational view of the retail fixture in accordance with the ninth embodiment of the invention.
 FIG. 52 is a bottom elevational view of the retail fixture in accordance with the ninth embodiment of the invention.

FIG. 53 is a first side elevational view of the retail fixture in accordance with the ninth embodiment of the invention.
 FIG. 54 is a second side elevational view of the retail fixture in accordance with the ninth embodiment of the invention.
 FIG. 55 is a front elevational view of the retail fixture in accordance with a tenth embodiment of the invention.
 FIG. 56 is a rear elevational view of the retail fixture in accordance with the tenth embodiment of the invention.
 FIG. 57 is a top elevational view of the retail fixture in accordance with the tenth embodiment of the invention.
 FIG. 58 is a bottom elevational view of the retail fixture in accordance with the tenth embodiment of the invention.
 FIG. 59 is a first side elevational view of the retail fixture in accordance with the tenth embodiment of the invention; and,
 FIG. 60 is a second side elevational view of the retail fixture in accordance with the tenth embodiment of the invention. Portions of the retail fixture shown in broken lines form no part of the claimed design.

1 Claim, 50 Drawing Sheets

(58) **Field of Classification Search**

USPC D25/21, 22, 23, 24, 25, 26, 29, 30, 34,
 D25/56, 57, 58, 59, 61, 138, 139, 199
 CPC E04B 1/99; E04B 2/30; E01F 8/02; G06F
 3/048; G06F 3/16; G06F 17/10; G06F
 17/50; G06N 5/02; H03G 3/00
 See application file for complete search history.

(56) **References Cited**

U.S. PATENT DOCUMENTS

D432,593	S	*	10/2000	Naughton	D21/511
D505,176	S	*	5/2005	Wehner	D21/834
D569,450	S	*	5/2008	Halliday	D21/511
D569,451	S	*	5/2008	Halliday	D21/511
D623,242	S	*	9/2010	Greer	D21/511
D634,445	S	*	3/2011	Mason	D21/837
D635,279	S	*	3/2011	Mathon	D25/138
D664,217	S	*	7/2012	Jolly, III	D21/511
D682,951	S	*	5/2013	Sandhei	D21/506
D699,793	S	*	2/2014	Gomez	D21/511
D735,276	S	*	7/2015	Radu	D21/511

OTHER PUBLICATIONS

“Baristart Coffee”, Porter’s Paints Blog, Jun. 10, 2015, retrieved from http://blog.nengo.jp/porters_paints/2015/06/baristart-coffee.html on Aug. 25, 2017, 3 pages.
 “City of light”, Behance, Philips—D’art Design Gruppe, Aug. 31, 2011, retrieved from <https://www.behance.net/gallery/2046869/city-of-light-philips> on Aug. 24, 2017, 8 pages.
 “Human Touch Group Pavilvion in Poznan”, Modelina, Feb. 1, 2015, retrieved from <http://www.modelina-architekci.com/project/htg-poznan2015/> on Aug. 24, 2017, 13 pages.
 “Rehau Booth”, Rehau, Mar. 31, 2015, Batimat, Russia, retrieved from <https://i.pinimg.com/originals/c5/9d/f7/c59df7d1500f2684460908fff44b6abf.jpg> on Aug. 25, 2017, 1 page.
 “Xilos Temporary Architecture”, Behance, Bosch Klimahouse Exhibition Design, Feb. 17, 2015, retrieved from <https://www.behance.net/gallery/23738217/Bosch-Klimahouse> on Aug. 24, 2017, 6 pages.

* cited by examiner

FIG. 1

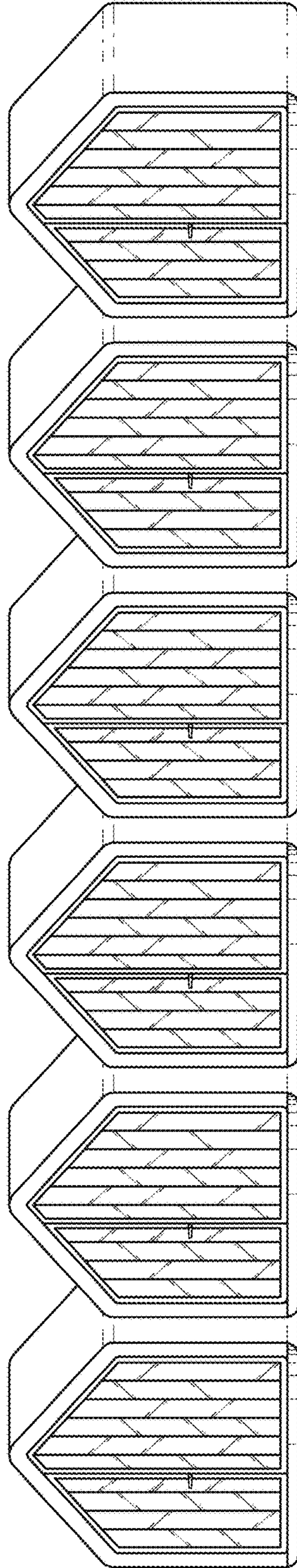
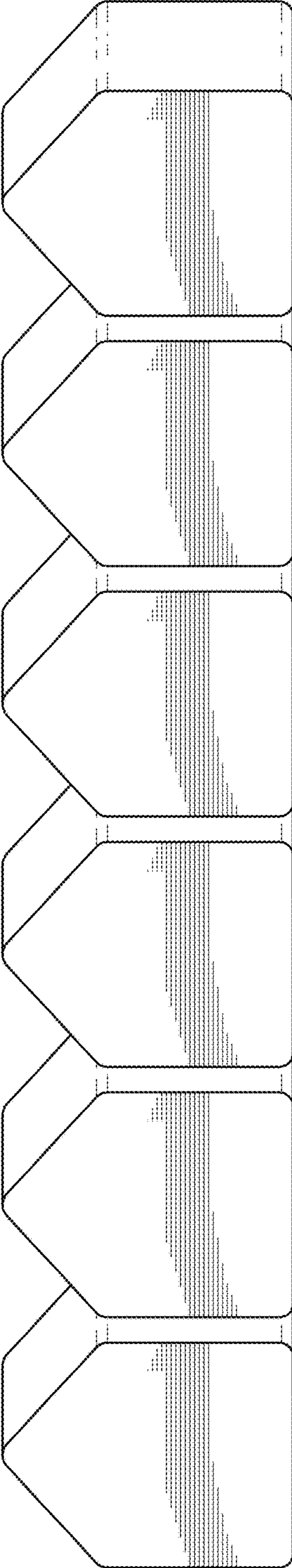


FIG. 2



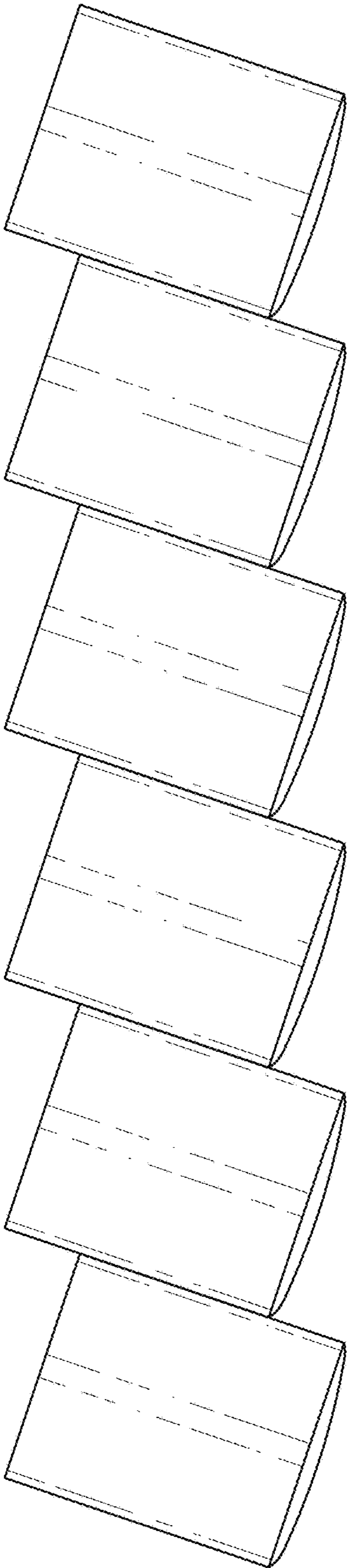


FIG. 3

FIG. 4

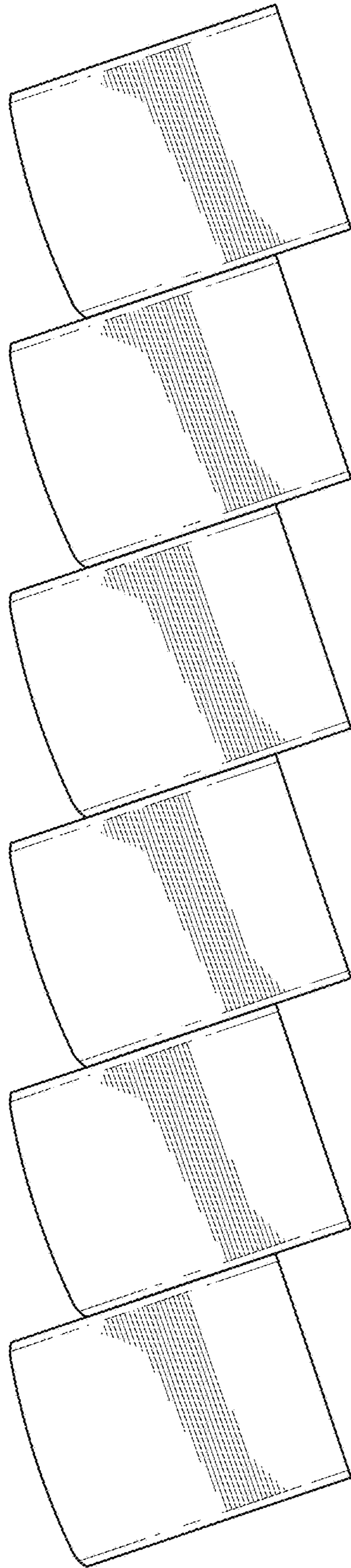


FIG. 6

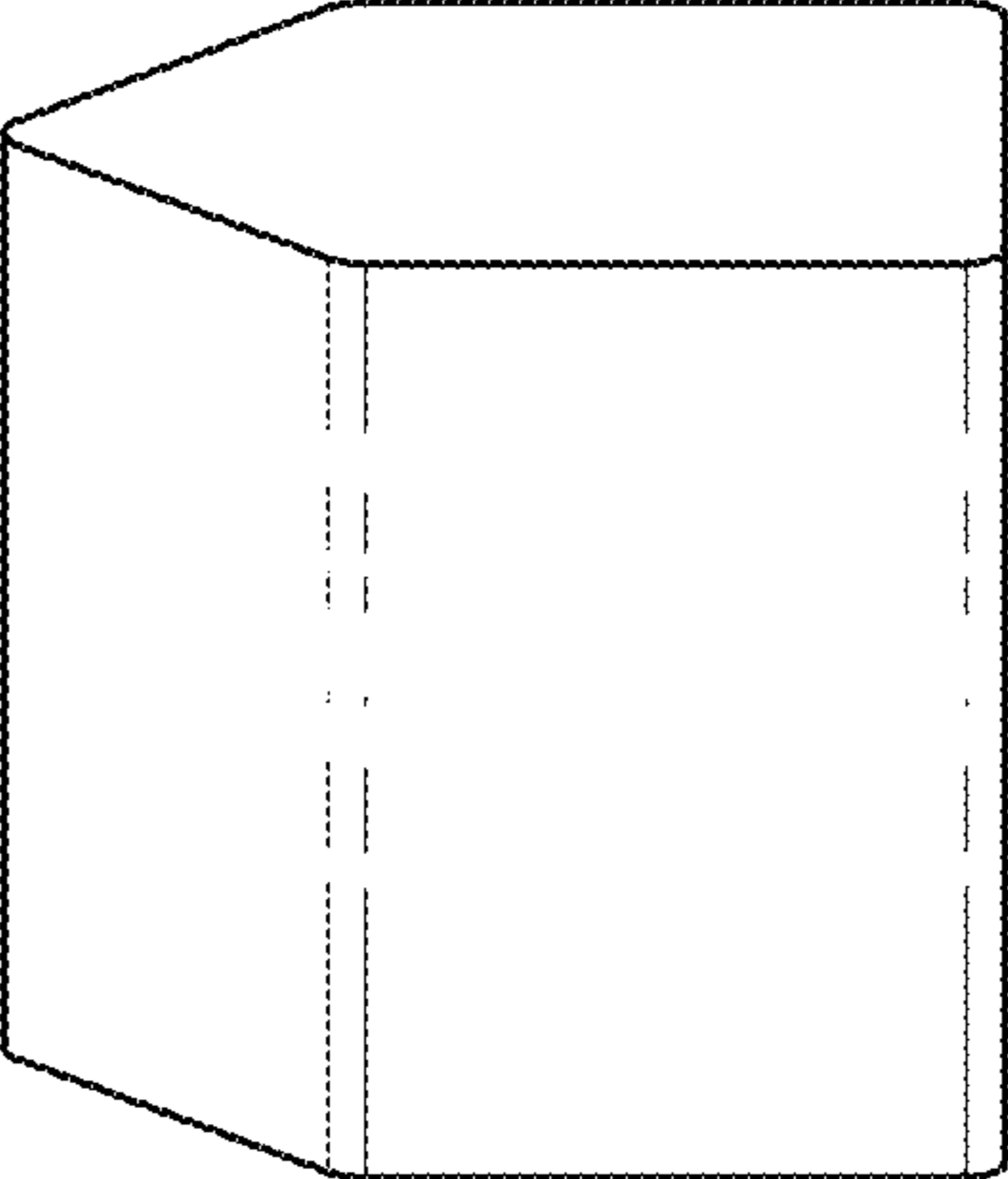
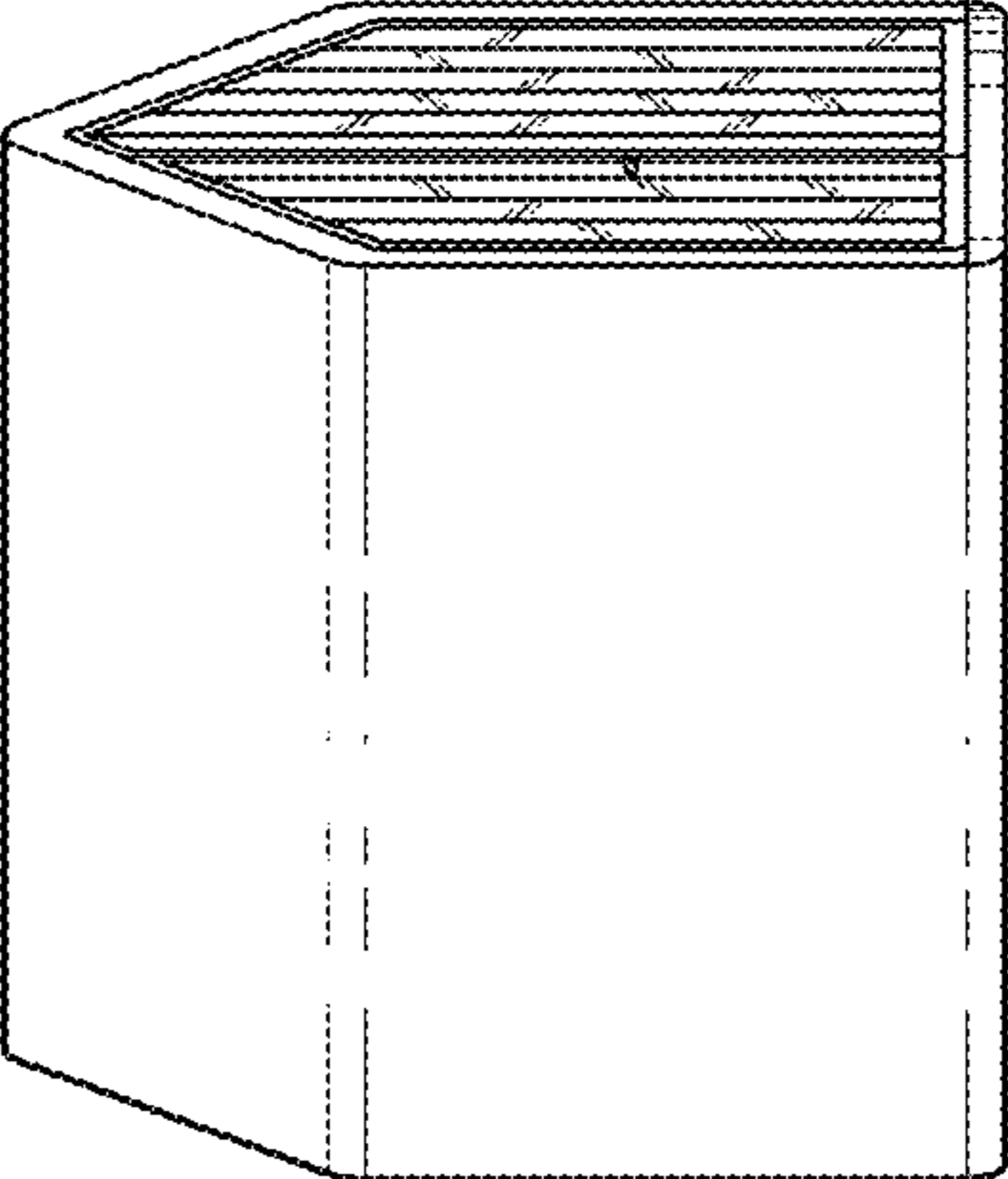


FIG. 5



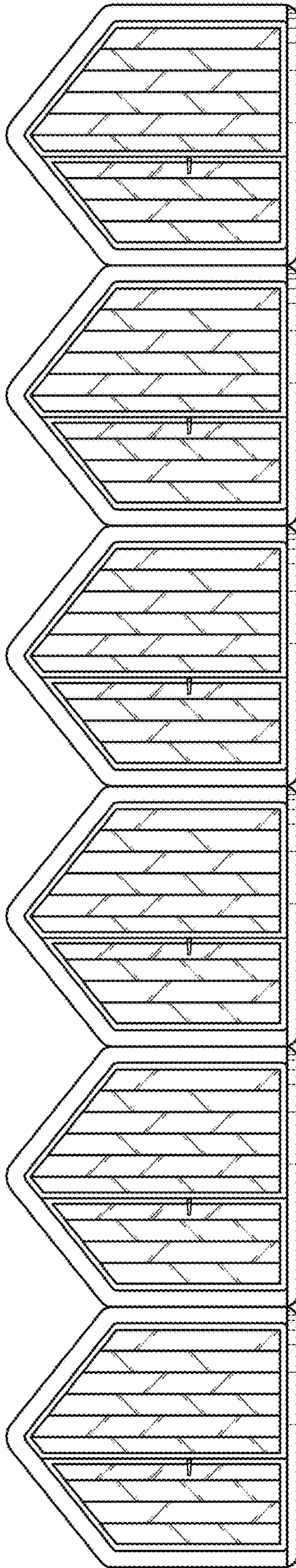


FIG. 7

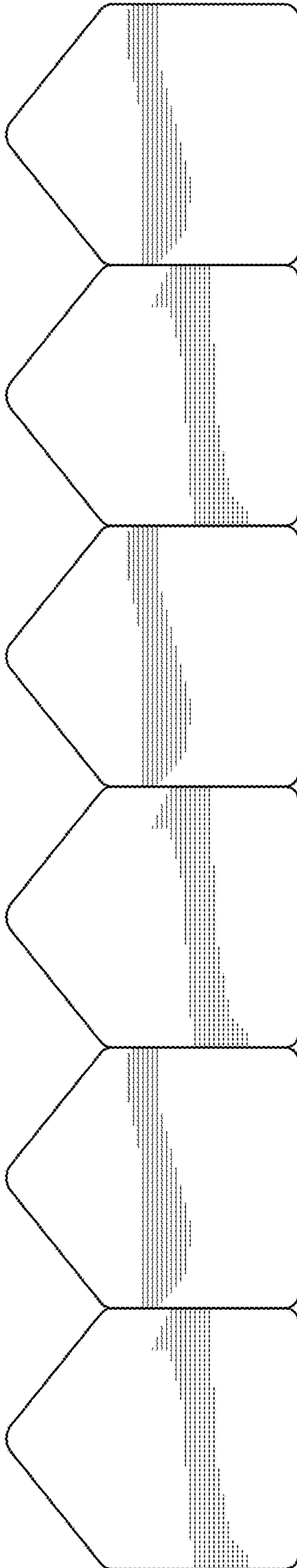
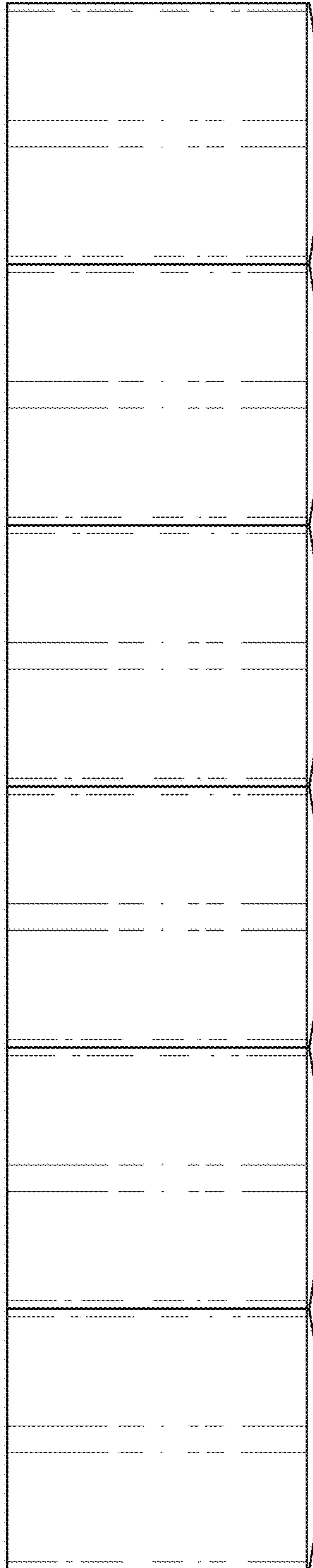


FIG. 8

FIG. 9



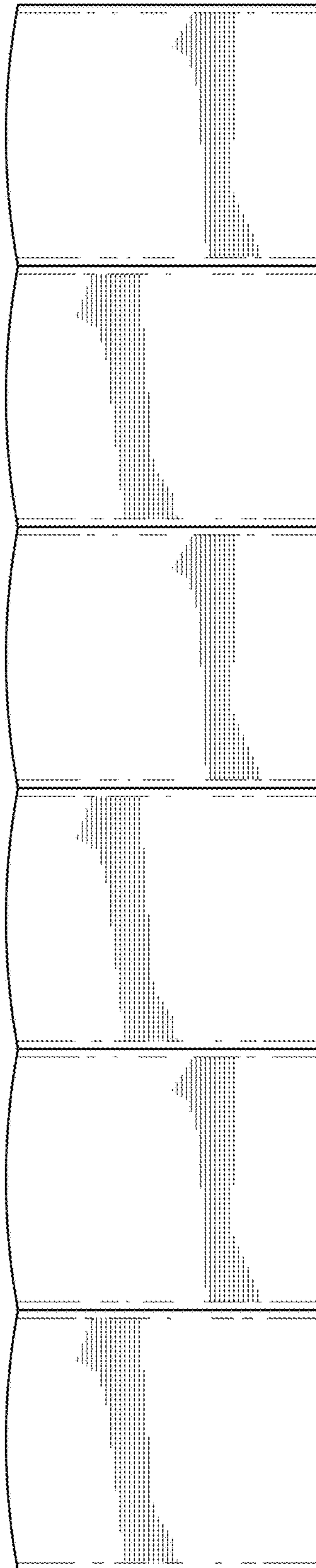


FIG. 10

FIG. 12

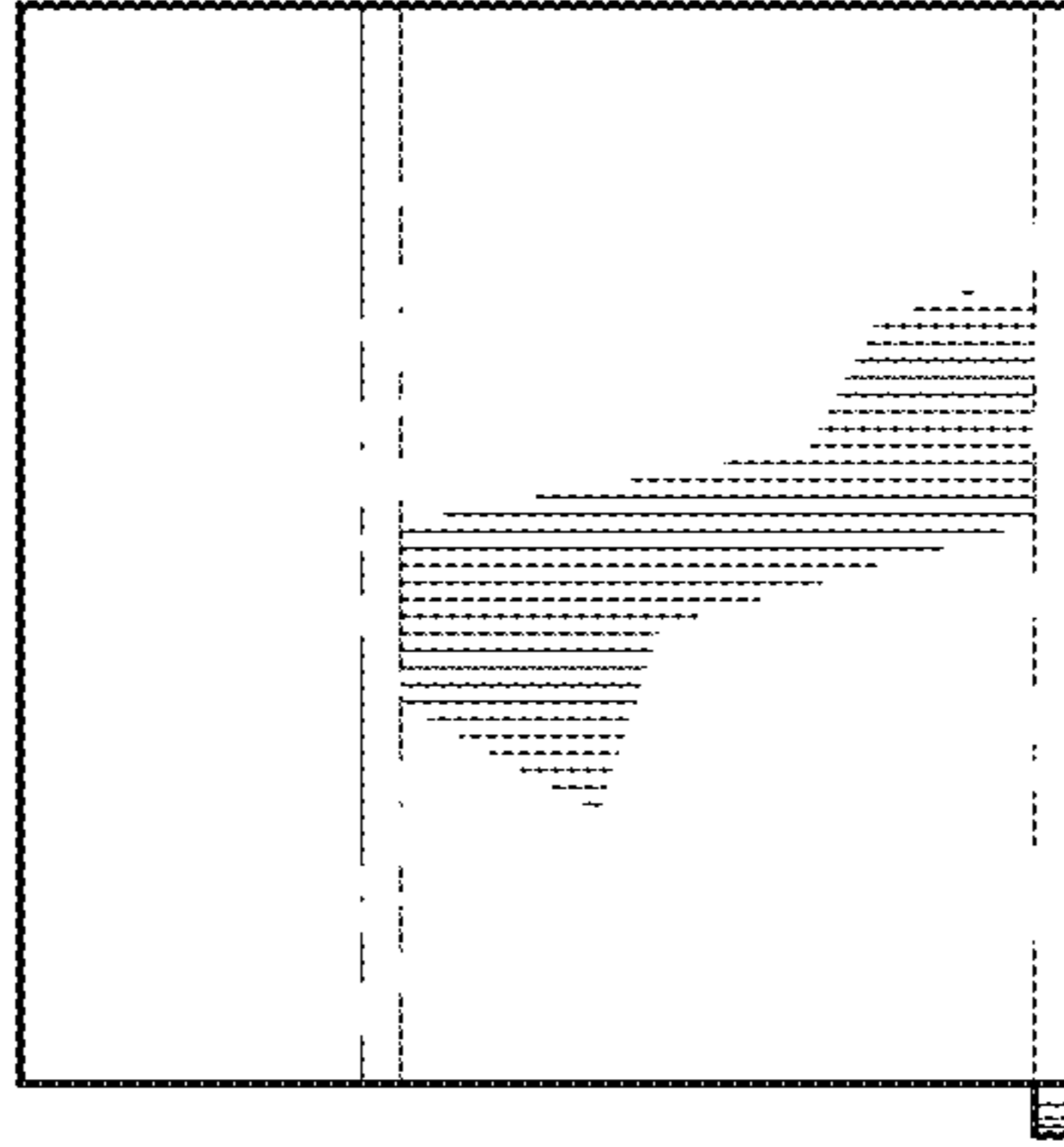


FIG. 11

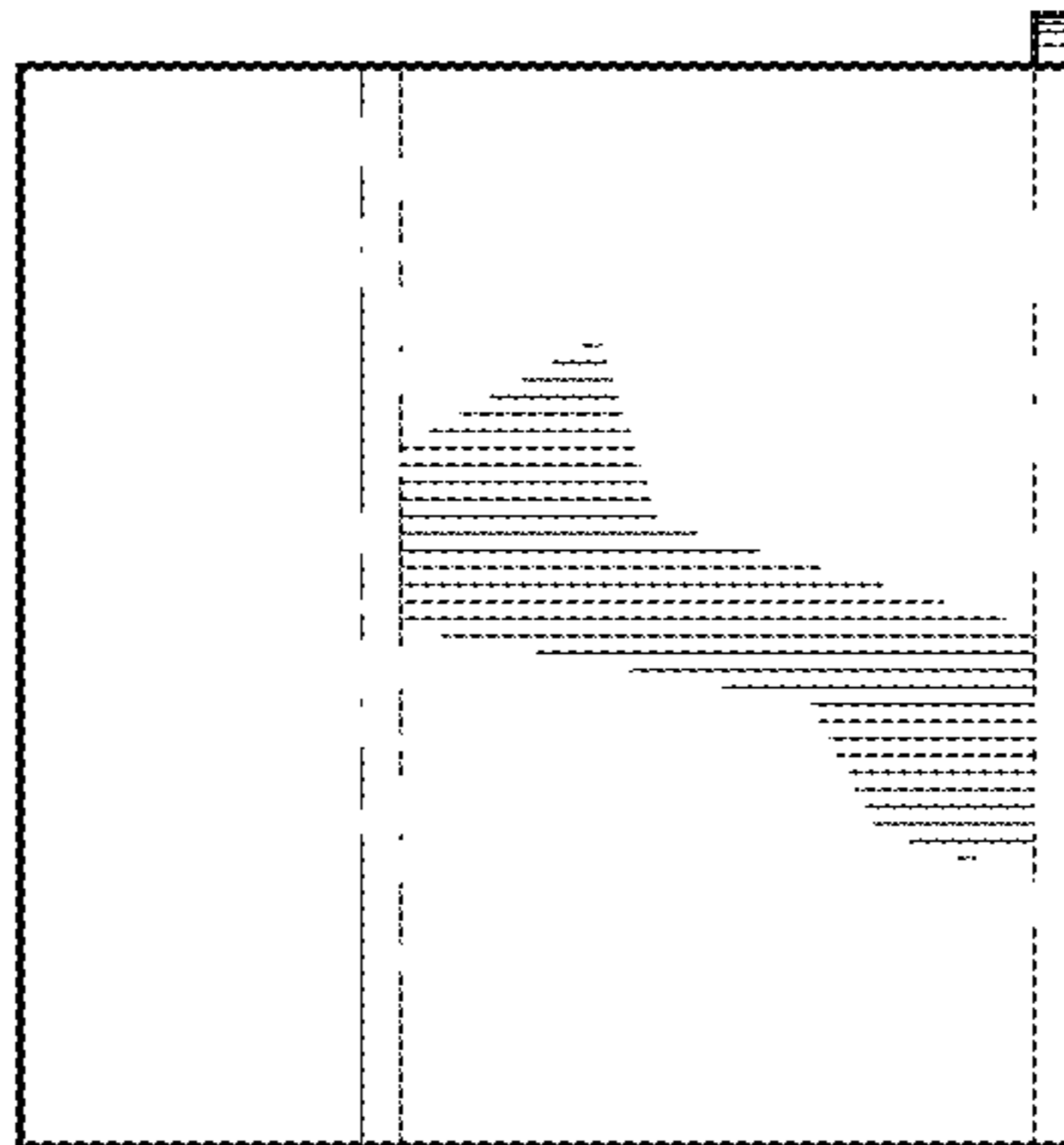


FIG. 13

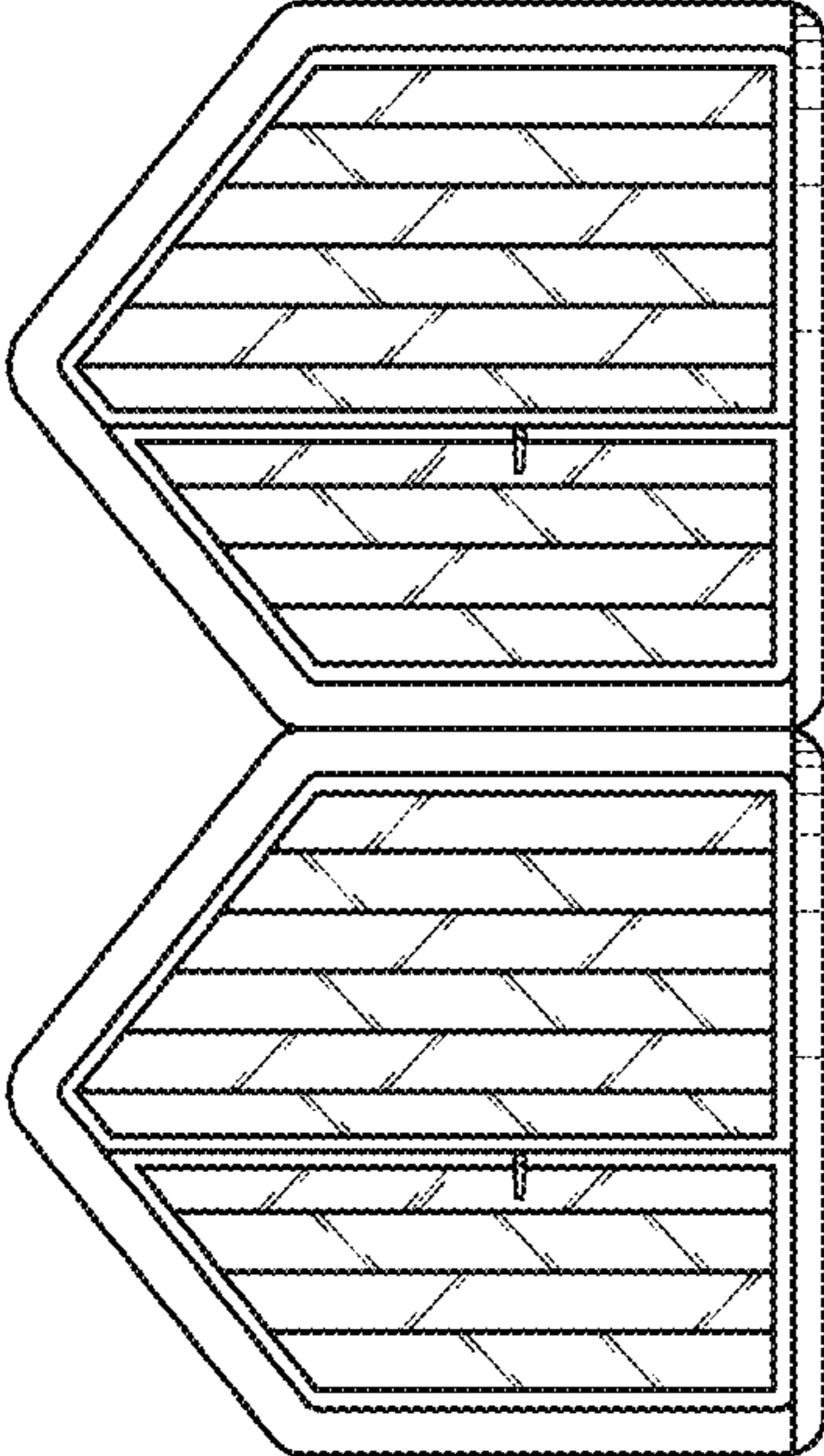


FIG. 14

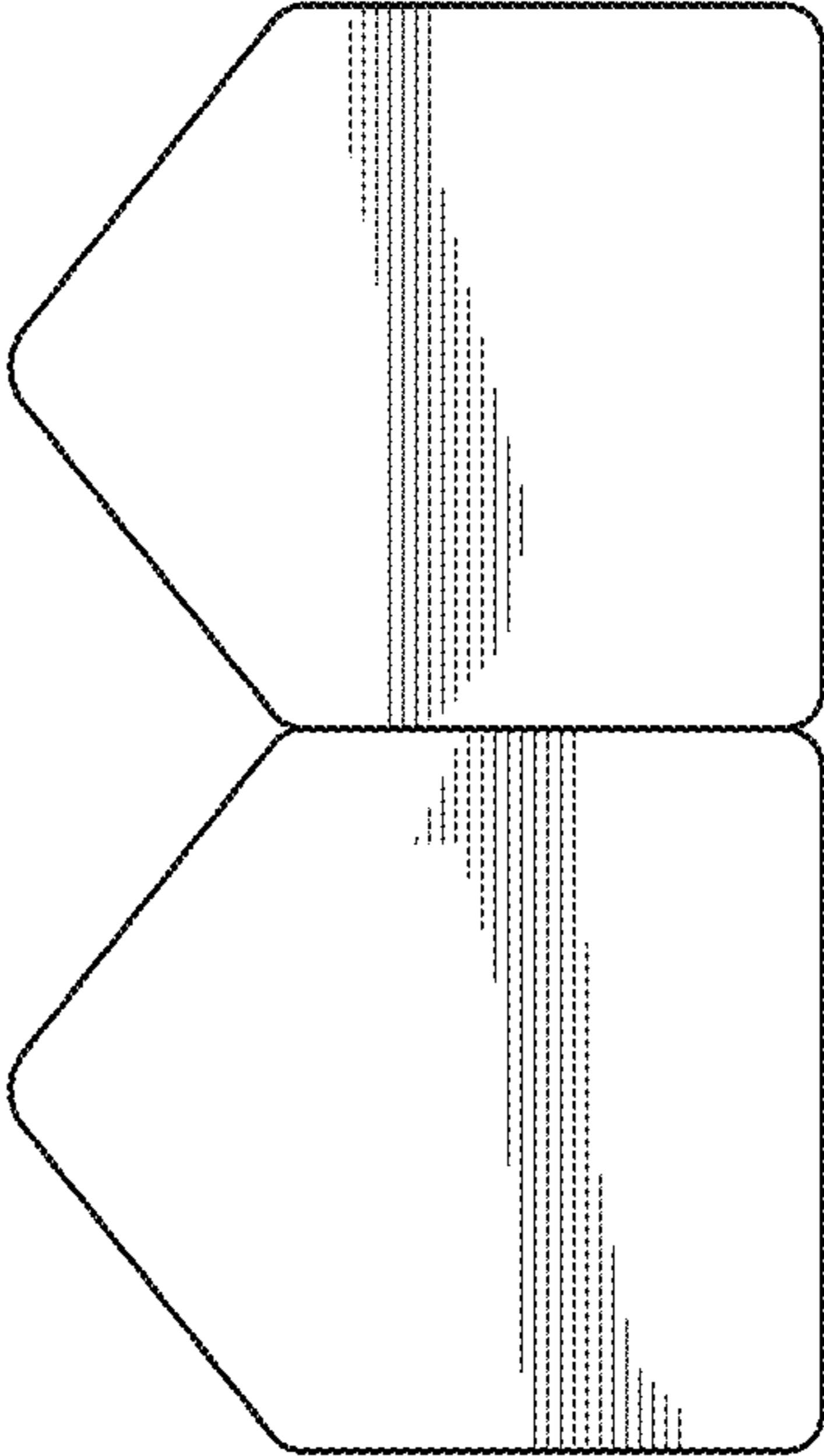


FIG. 15

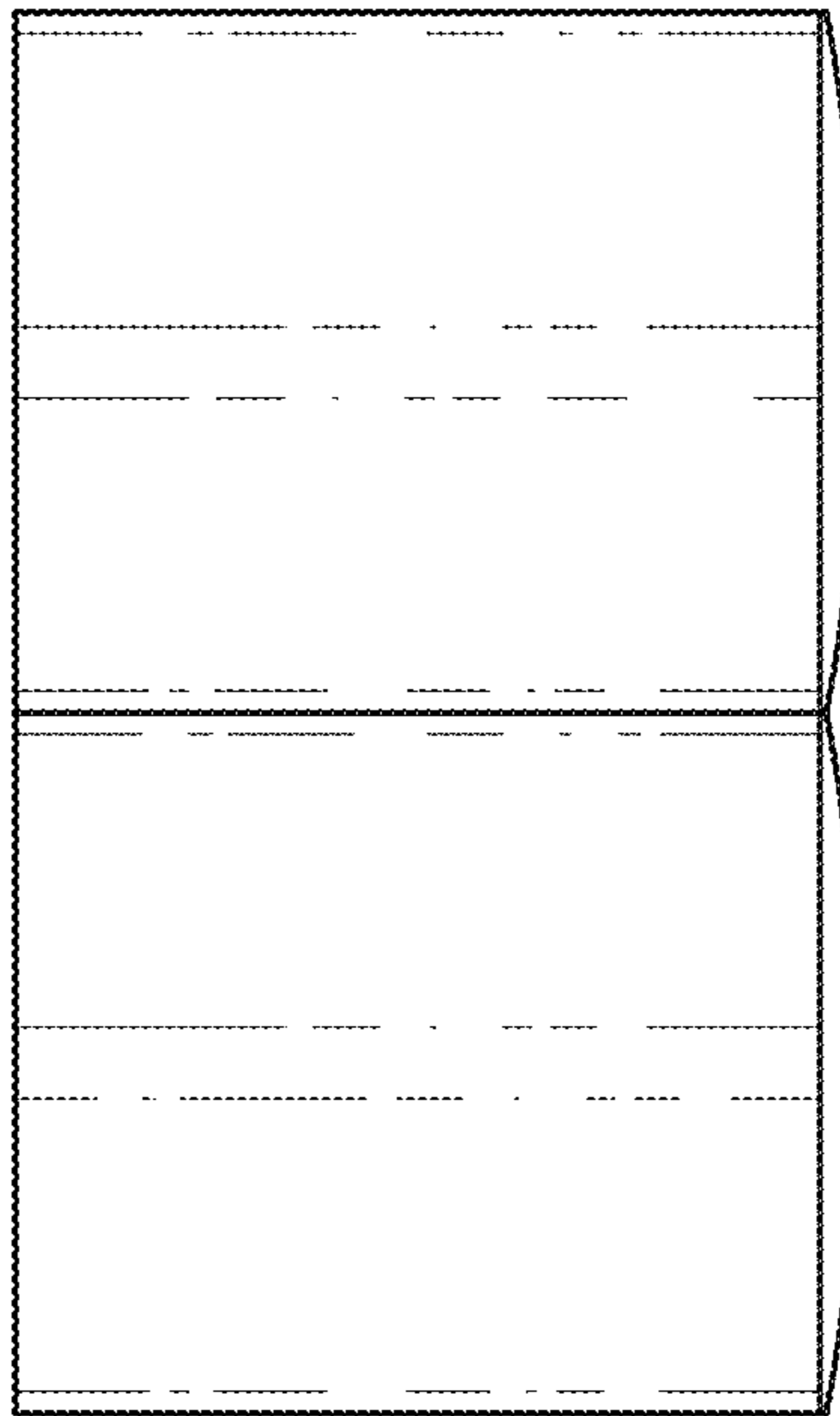


FIG. 16

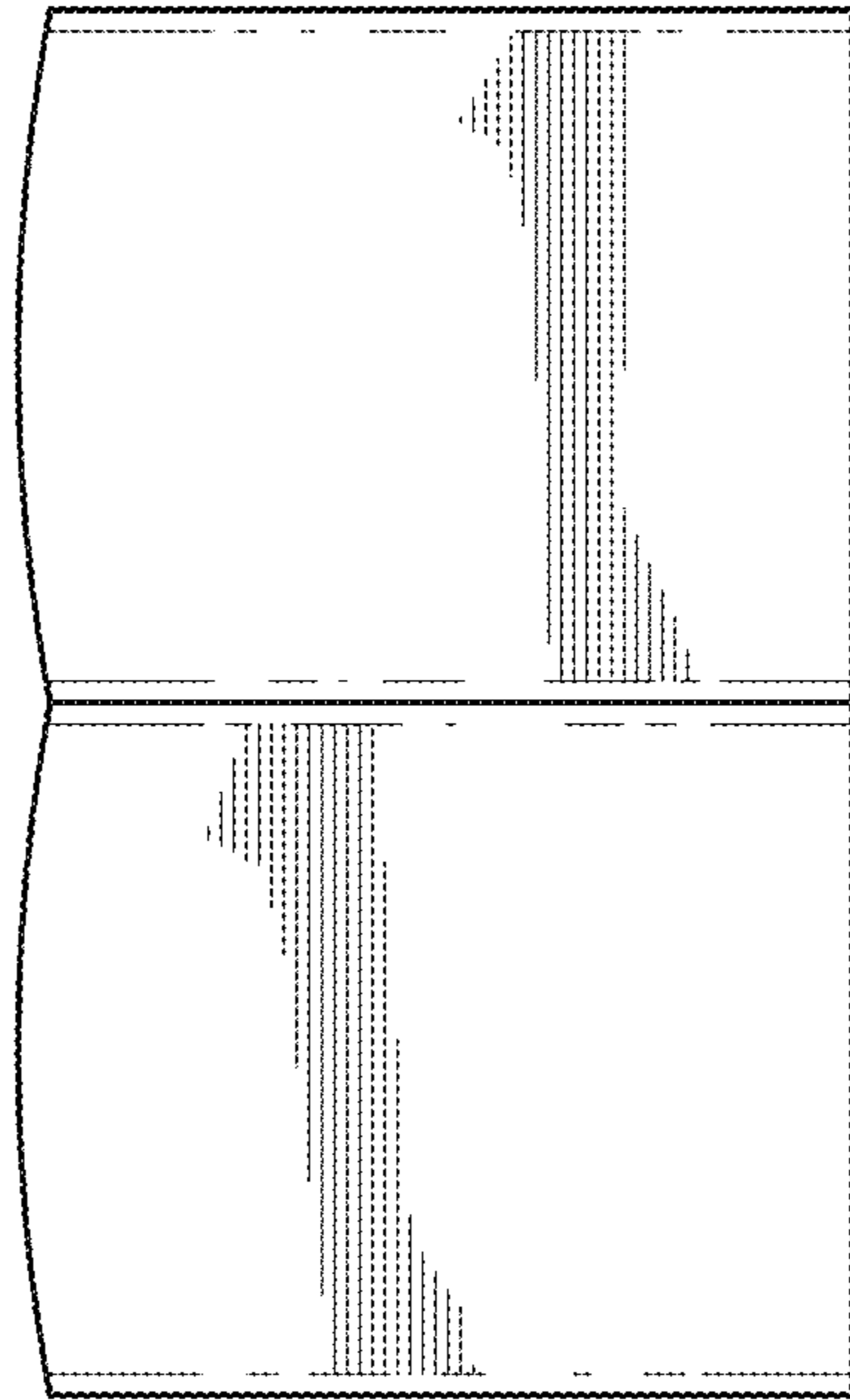


FIG. 18

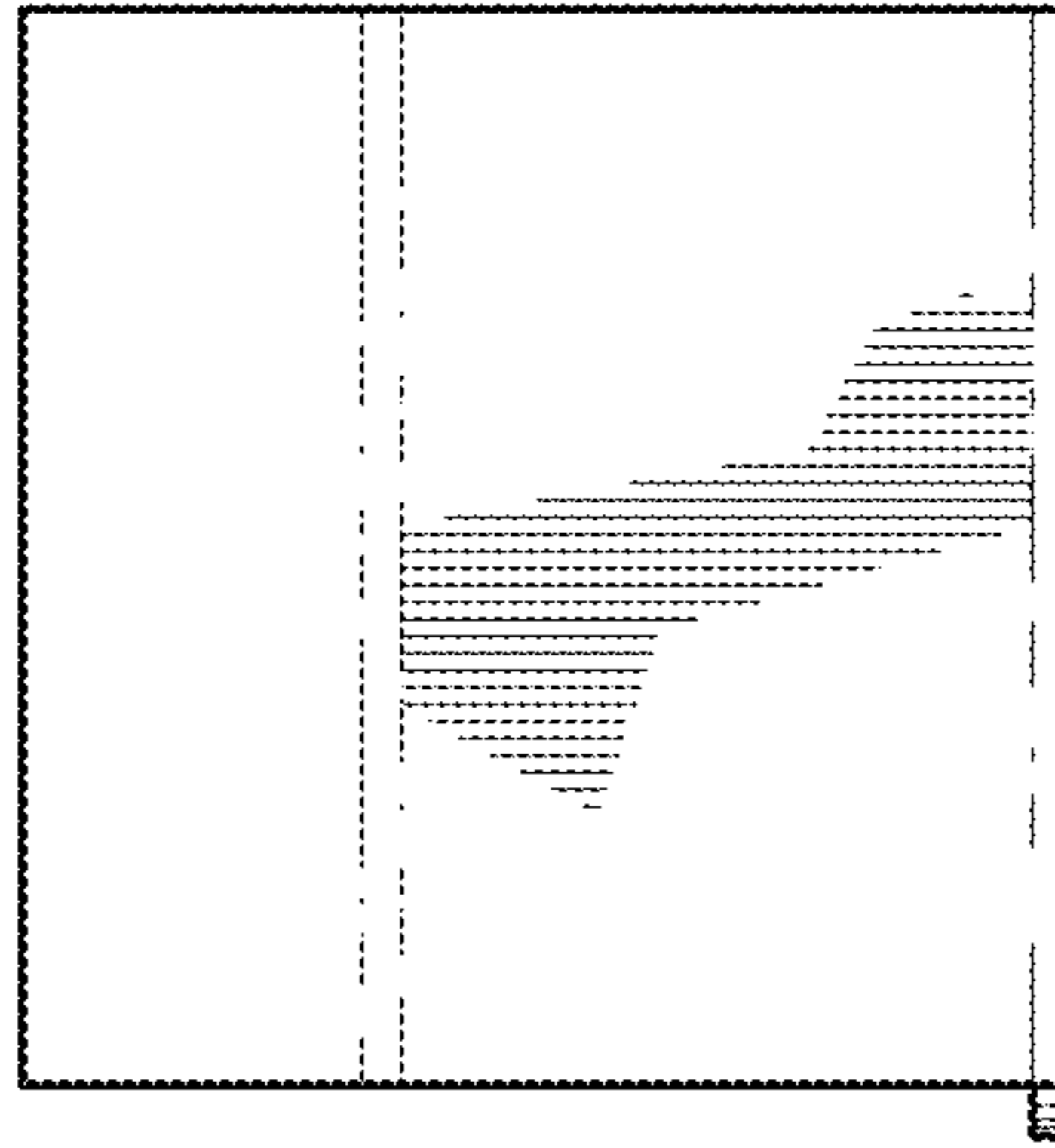


FIG. 17

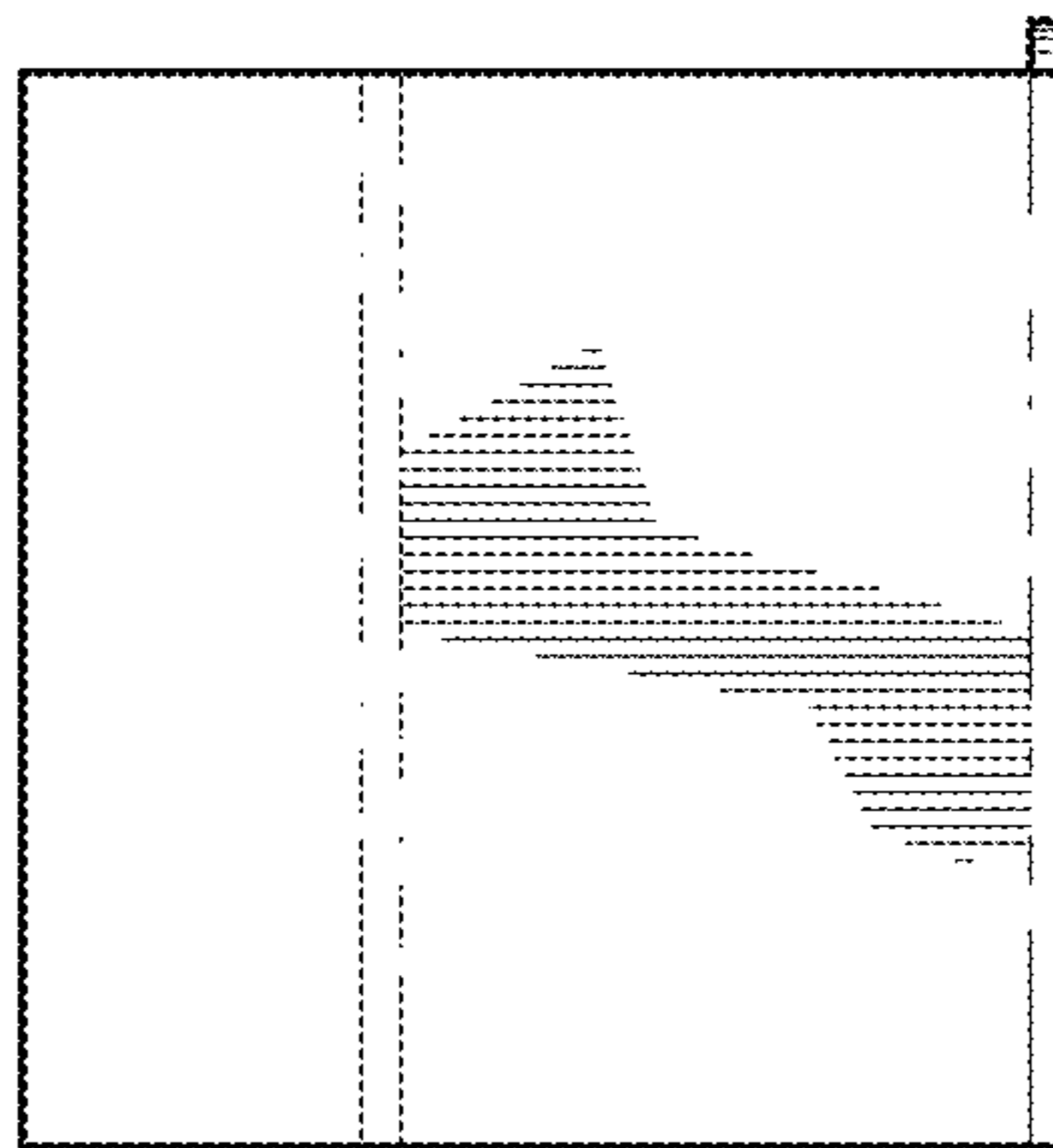


FIG. 19

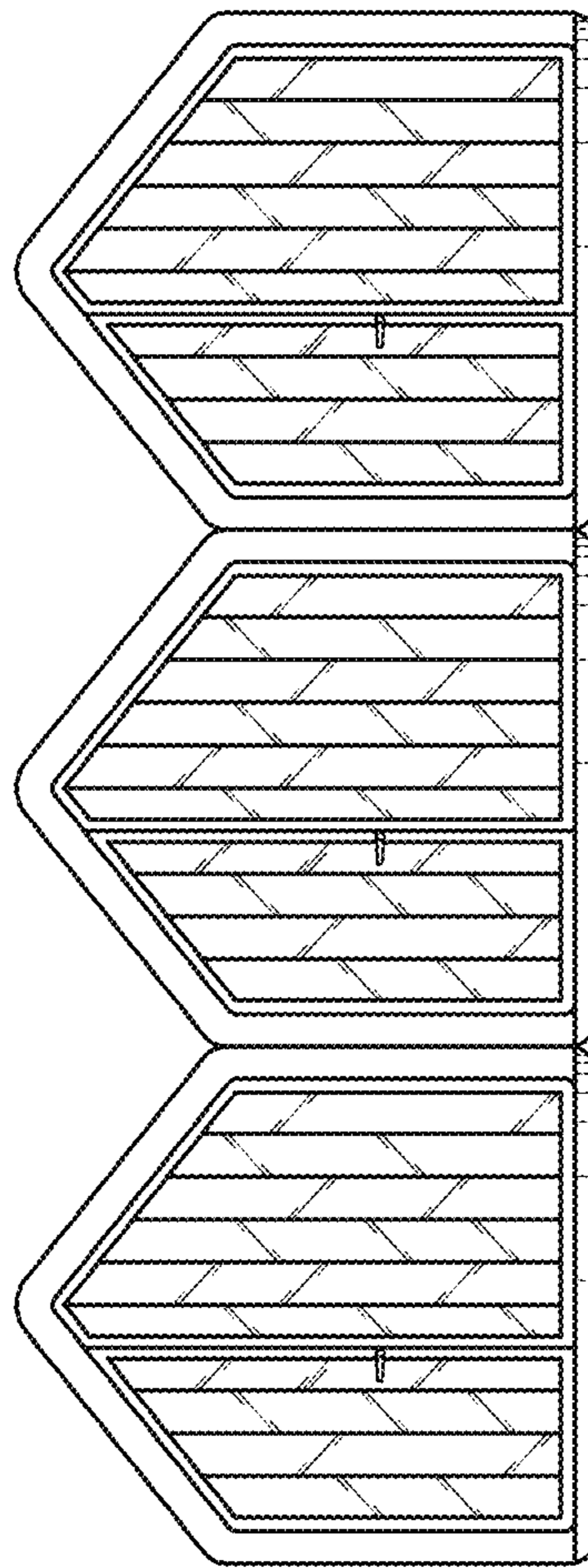


FIG. 20

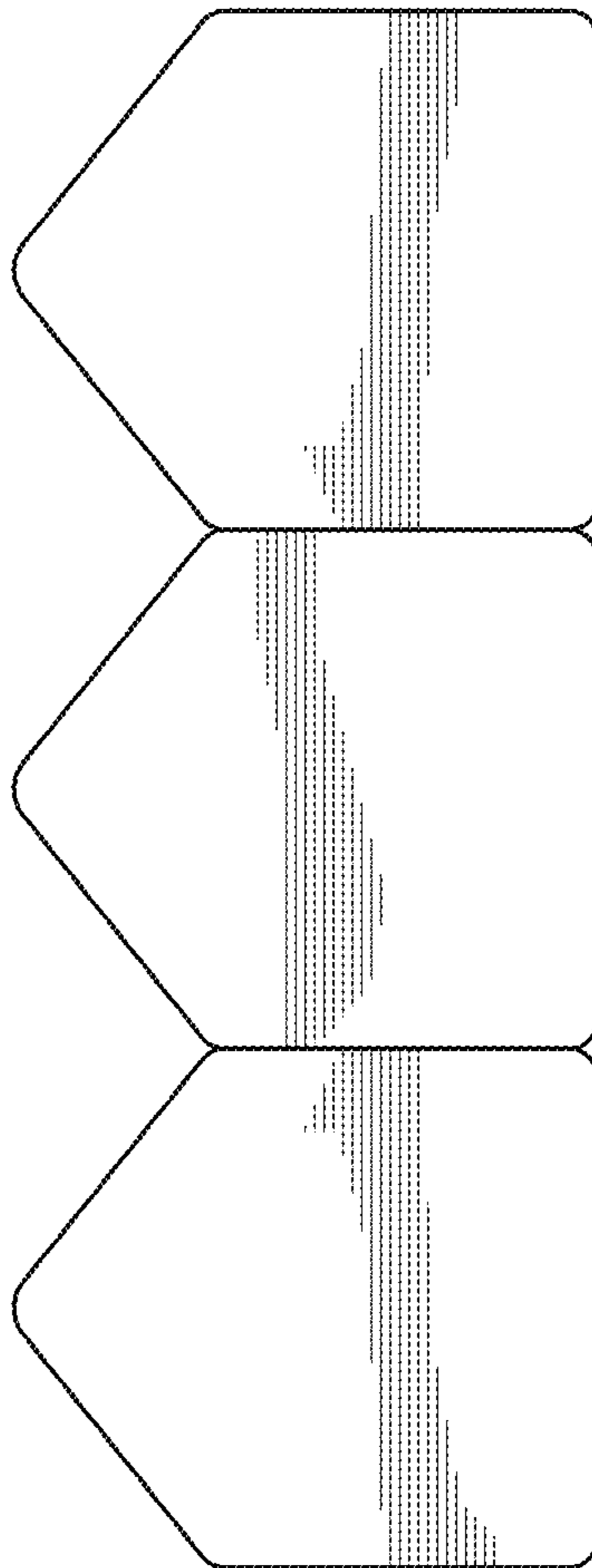


FIG. 21

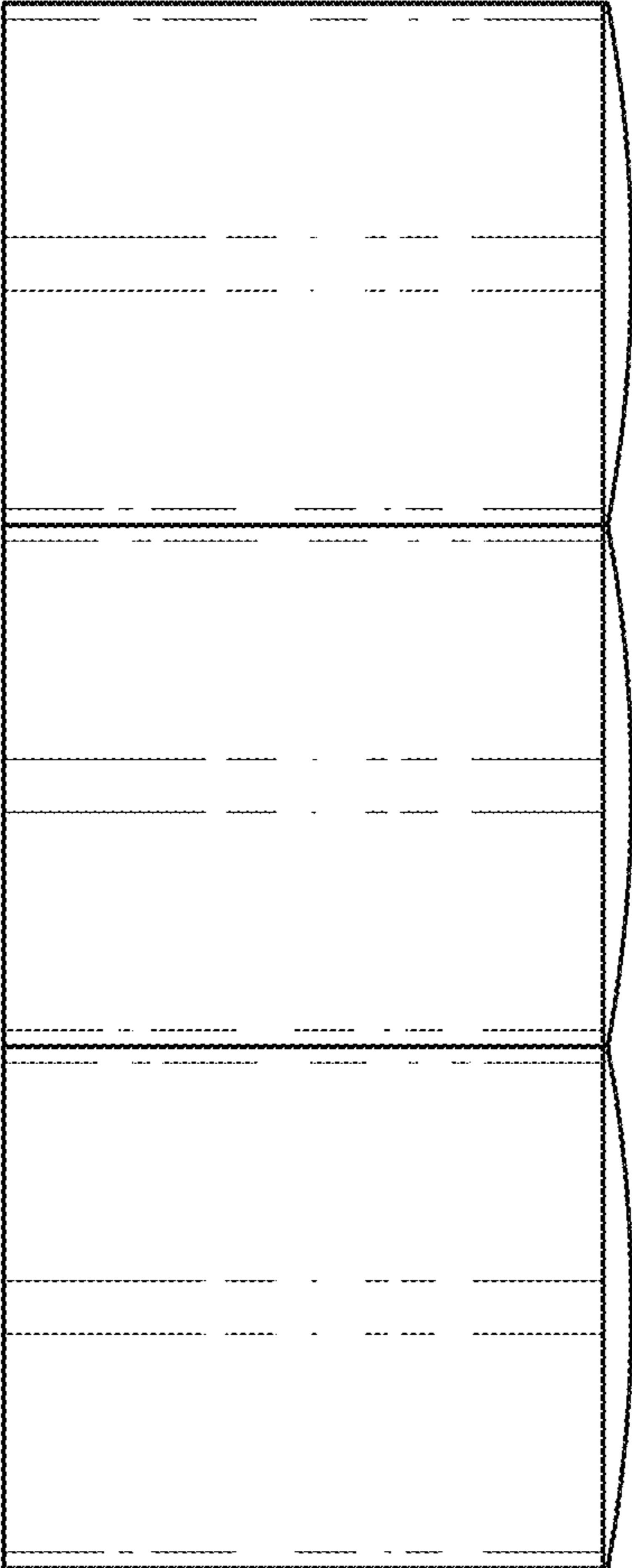


FIG. 22

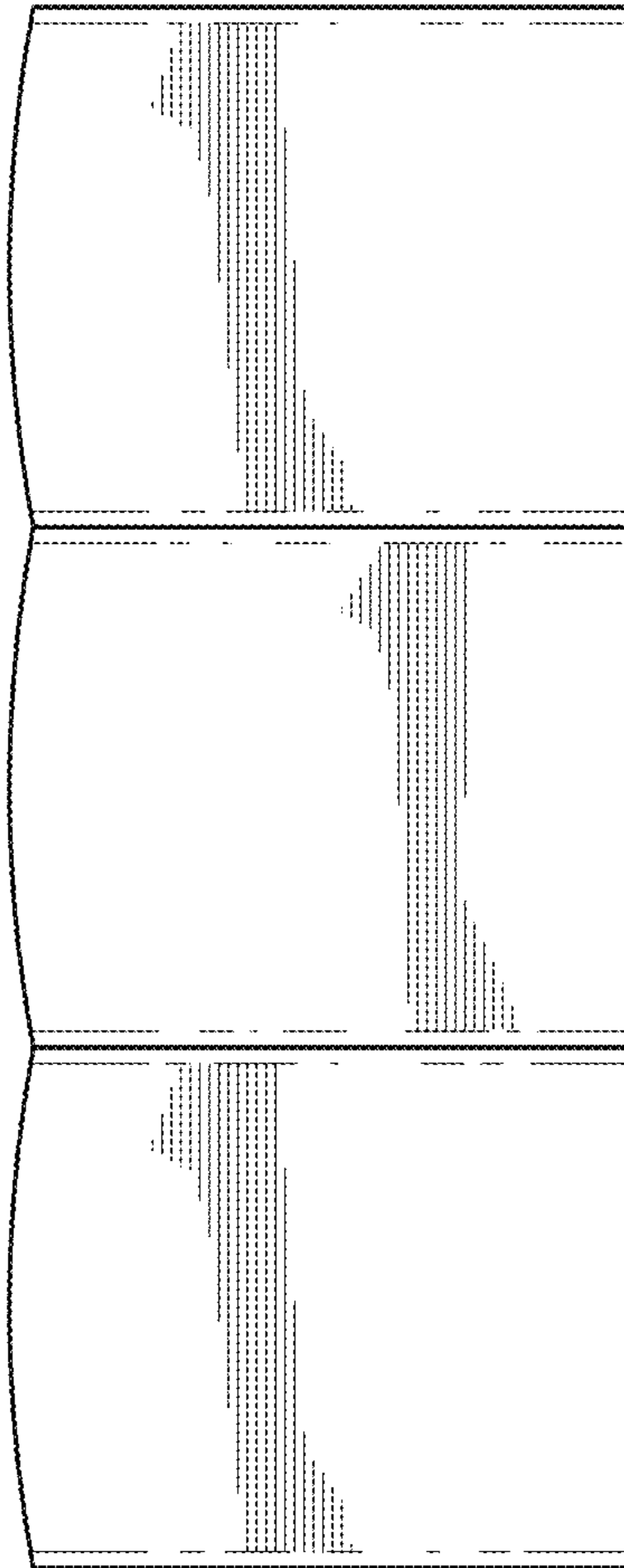


FIG. 24

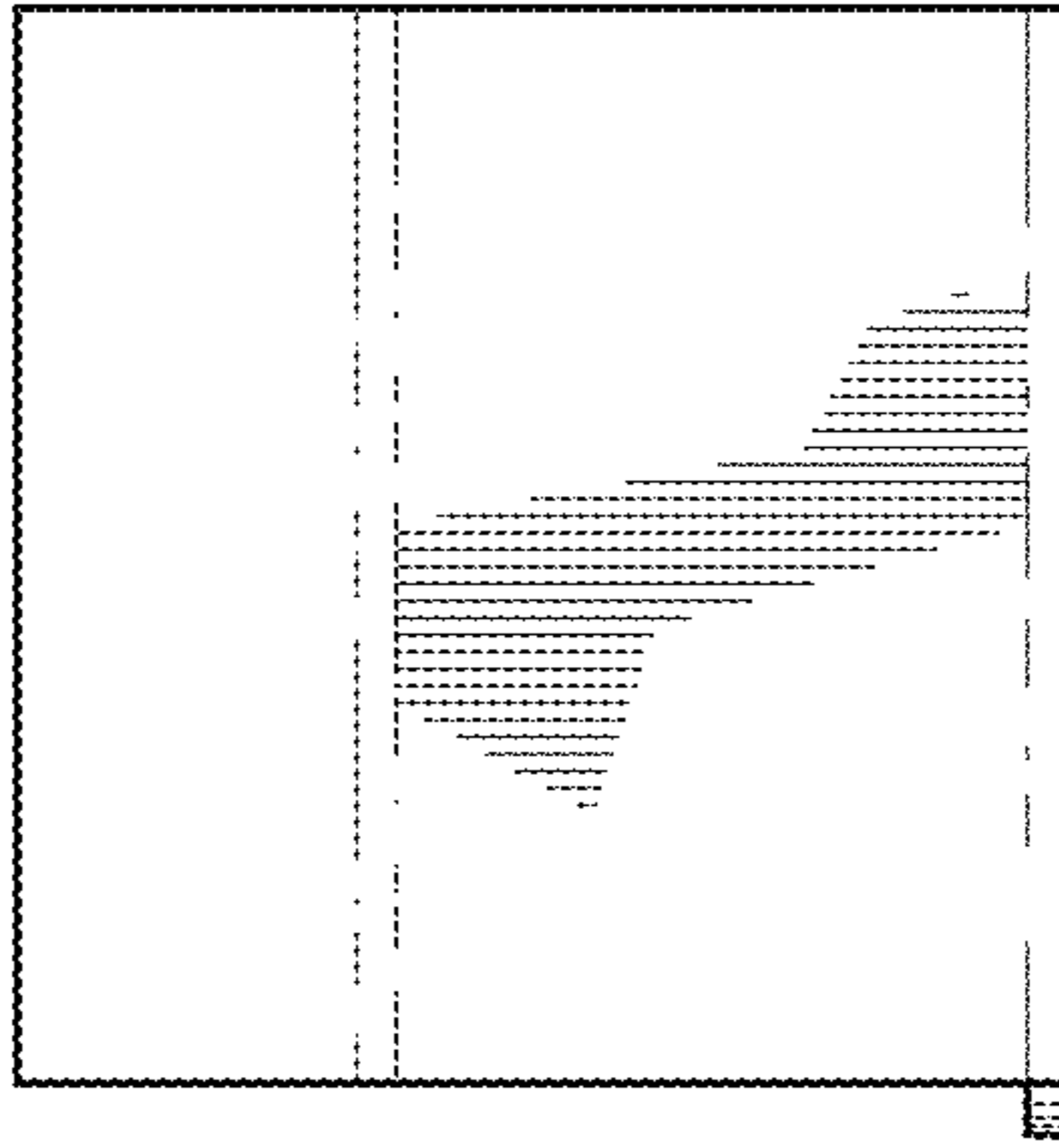


FIG. 23

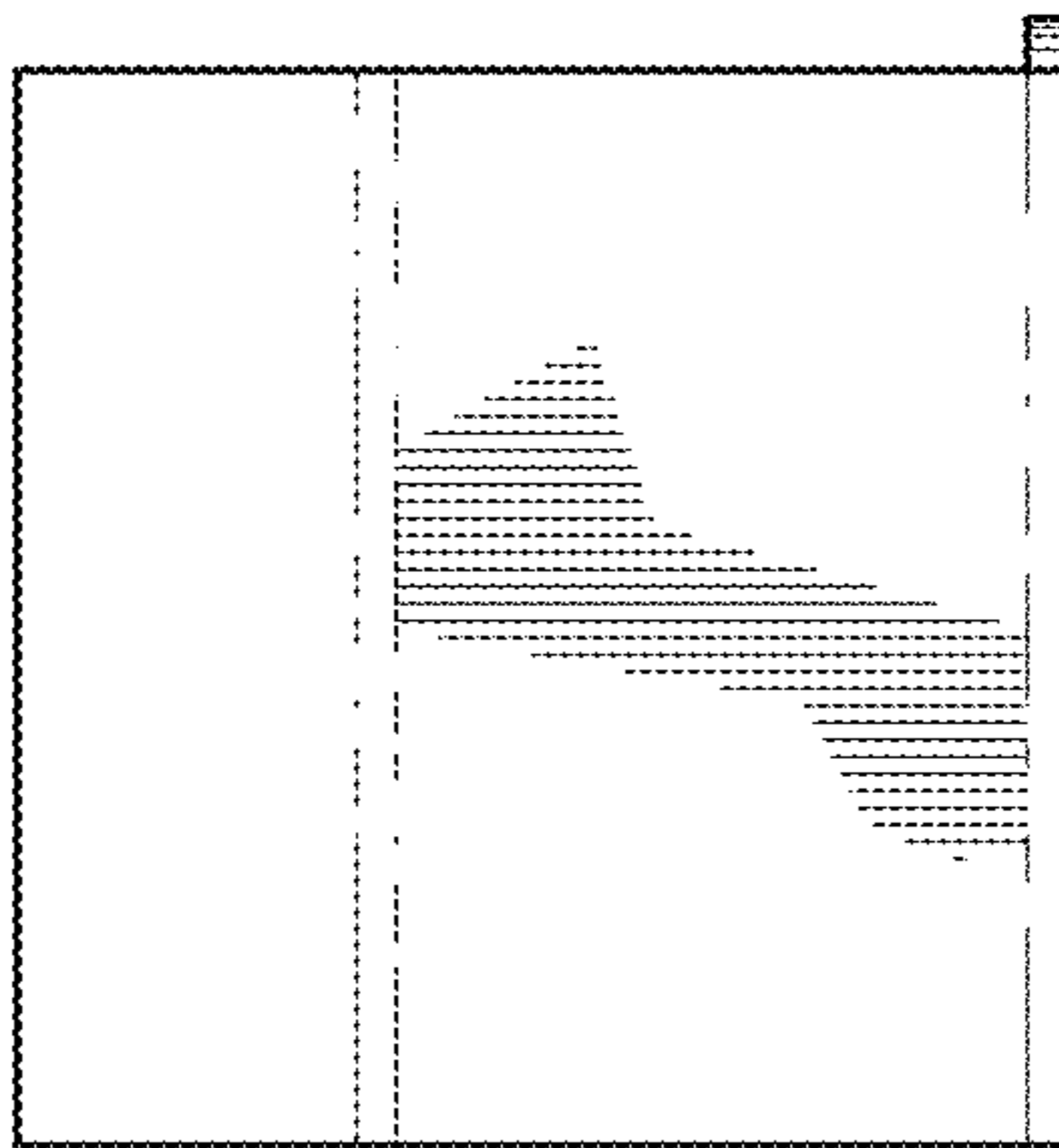


FIG. 25

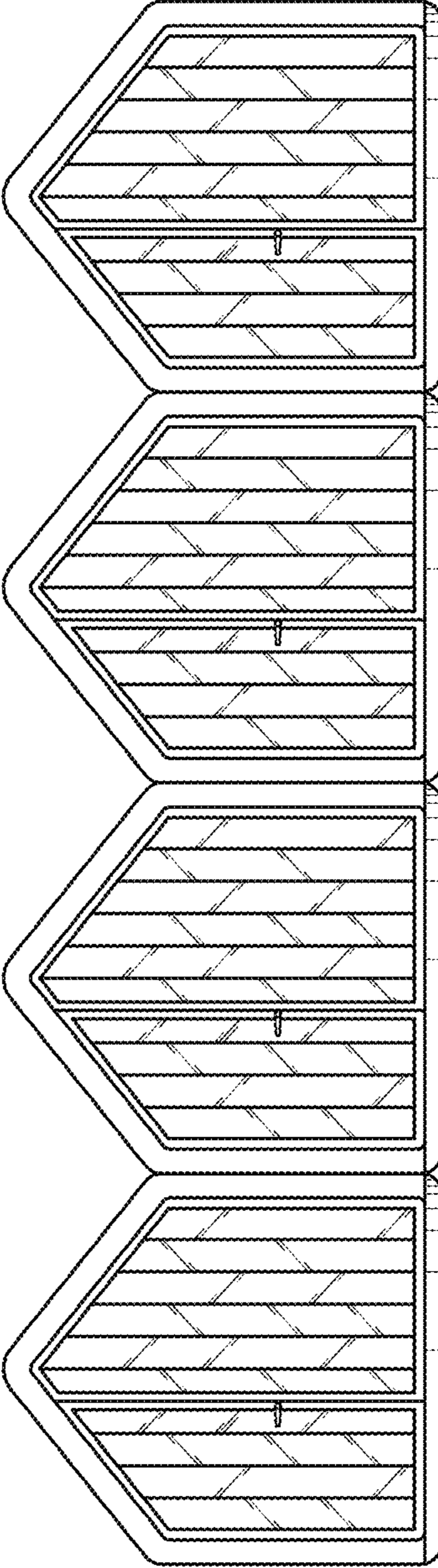


FIG. 26

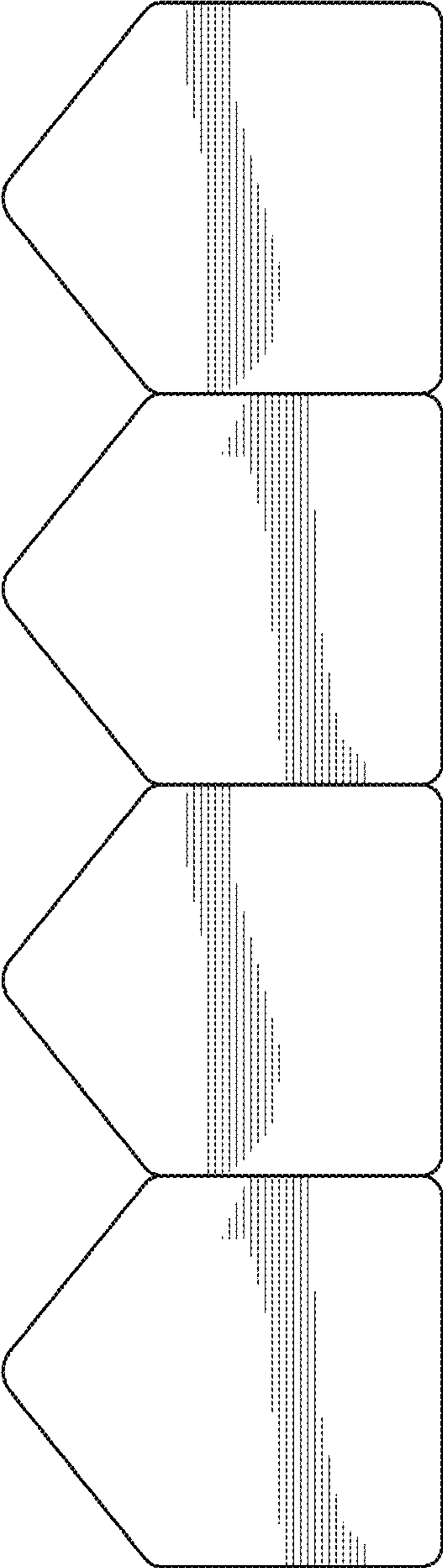


FIG. 27

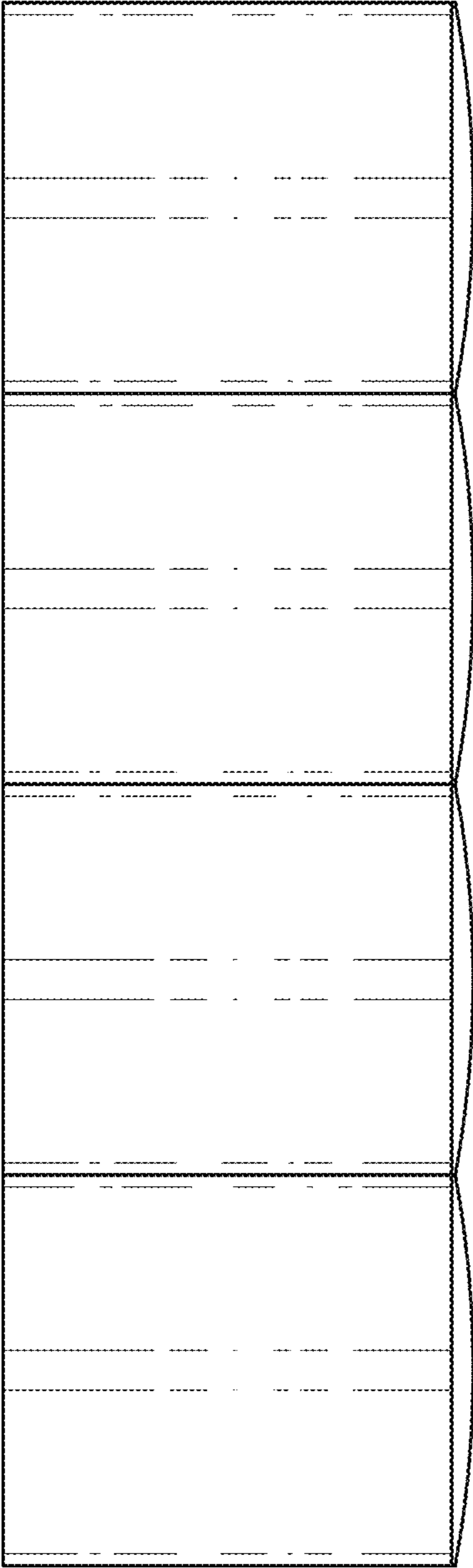


FIG. 28

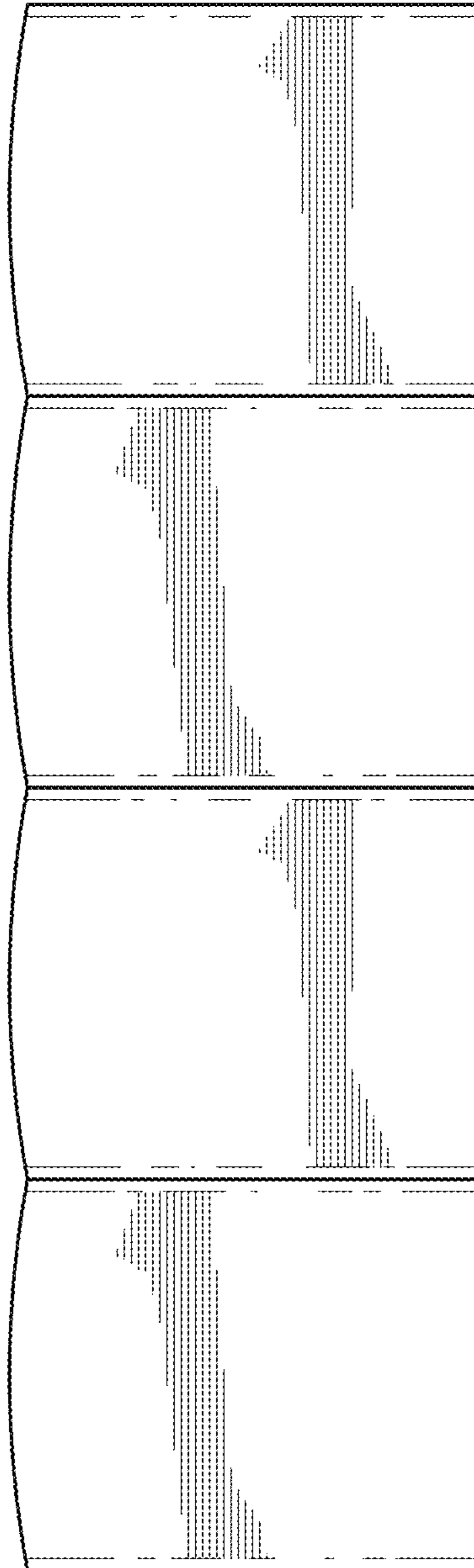


FIG. 30

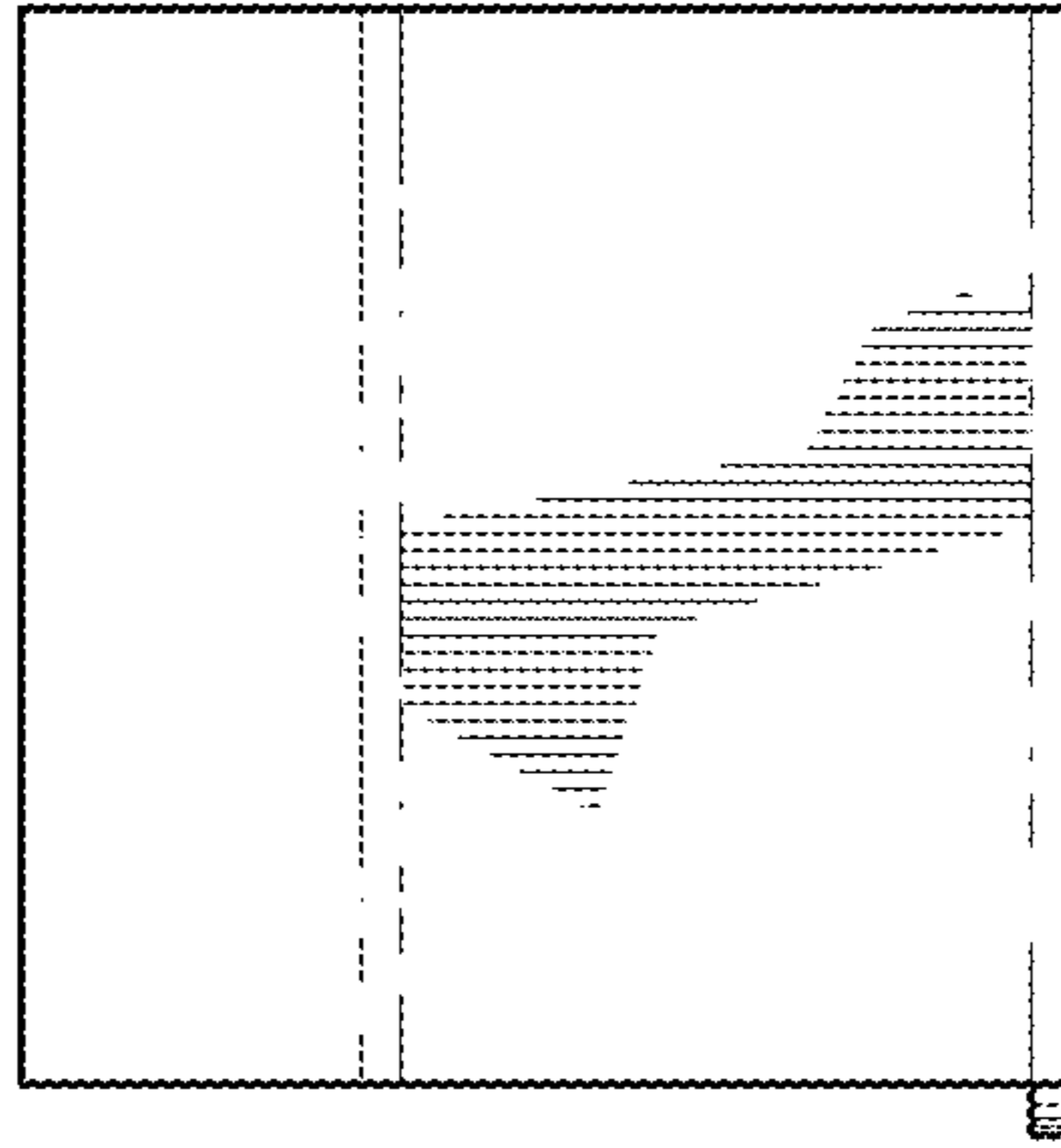


FIG. 29

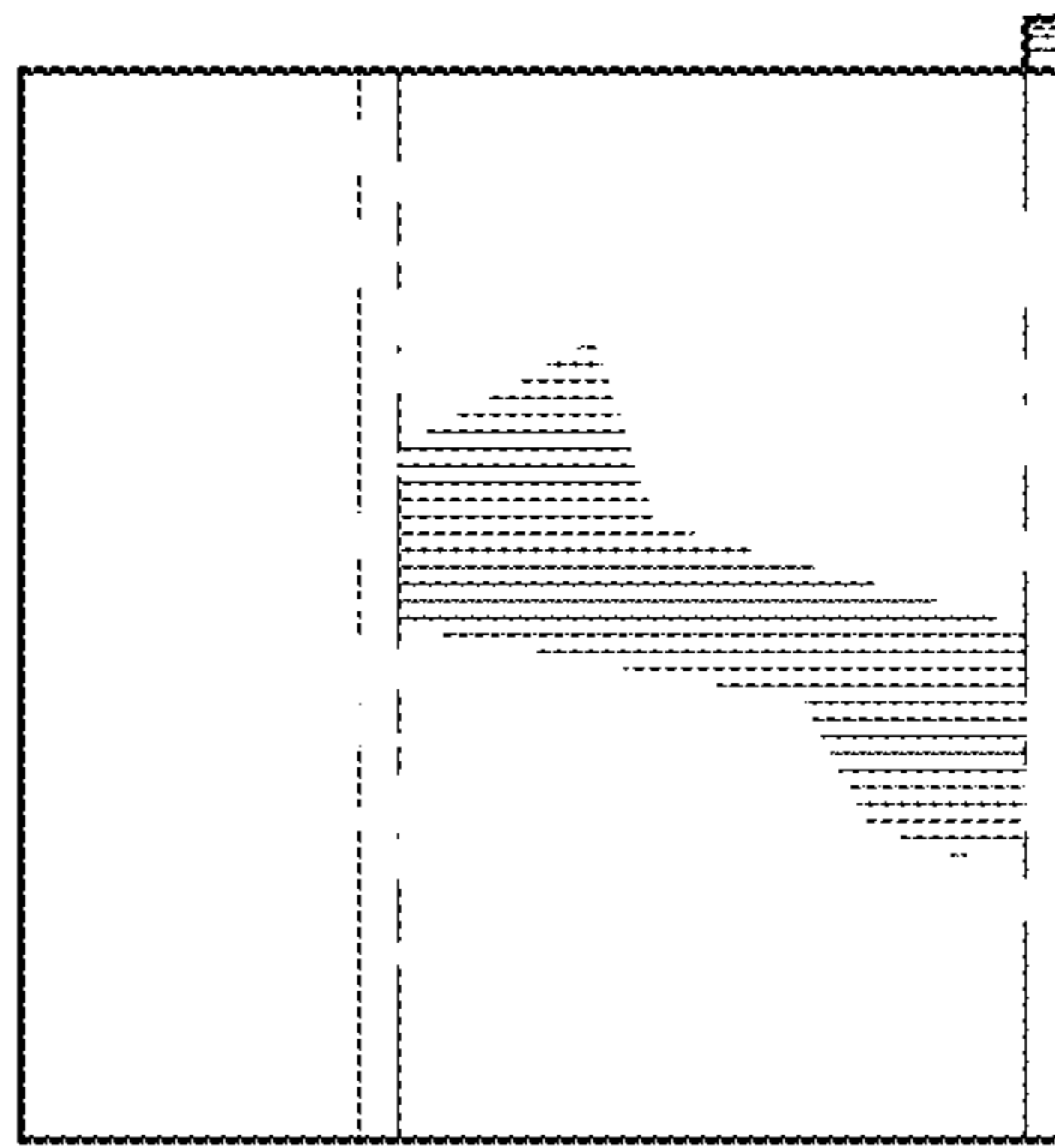


FIG. 31

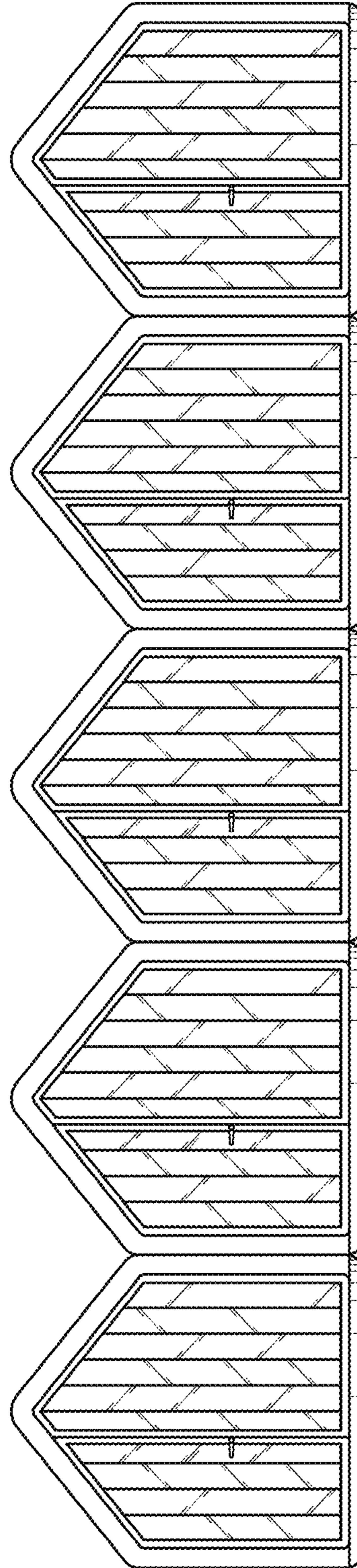


FIG. 32

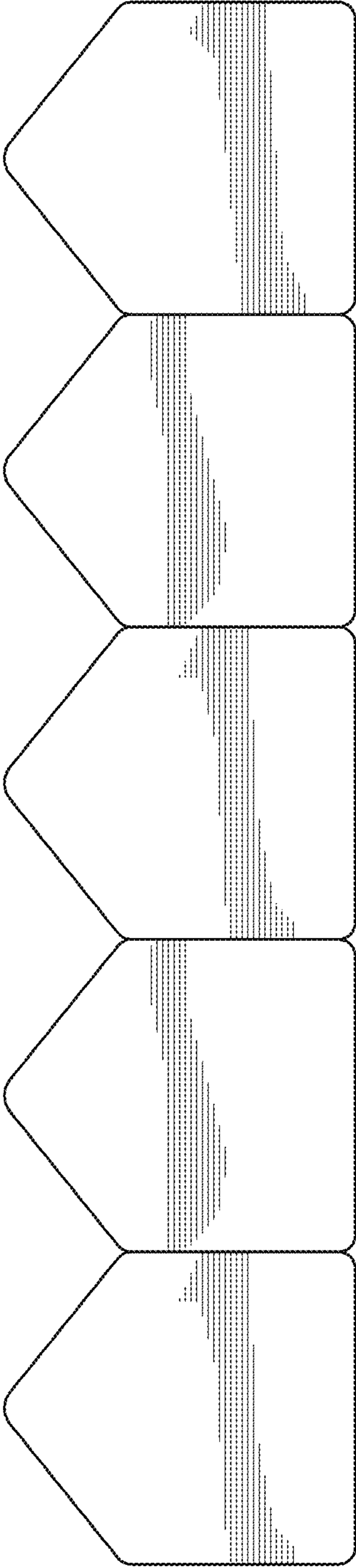


FIG. 33

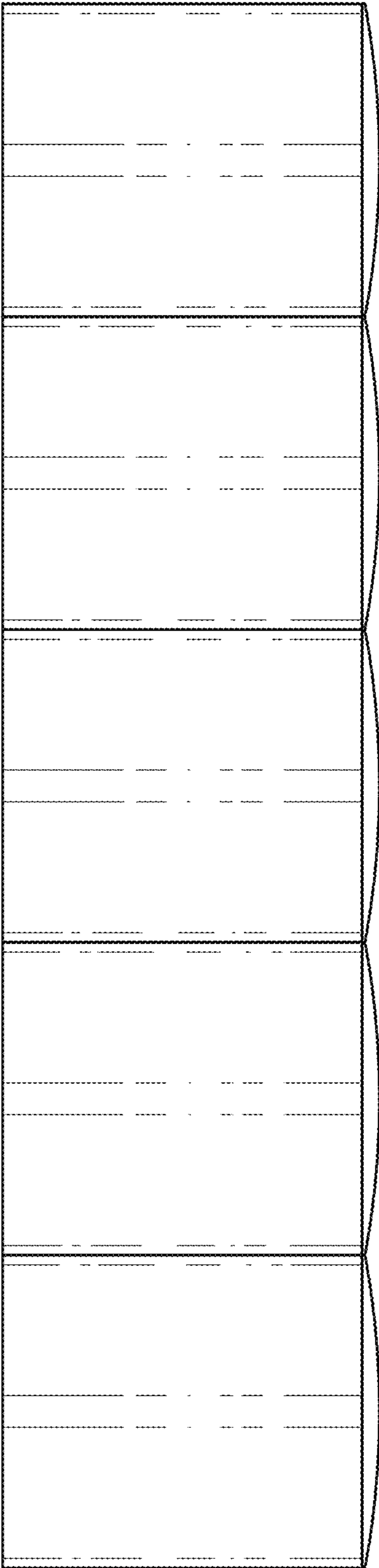


FIG. 34

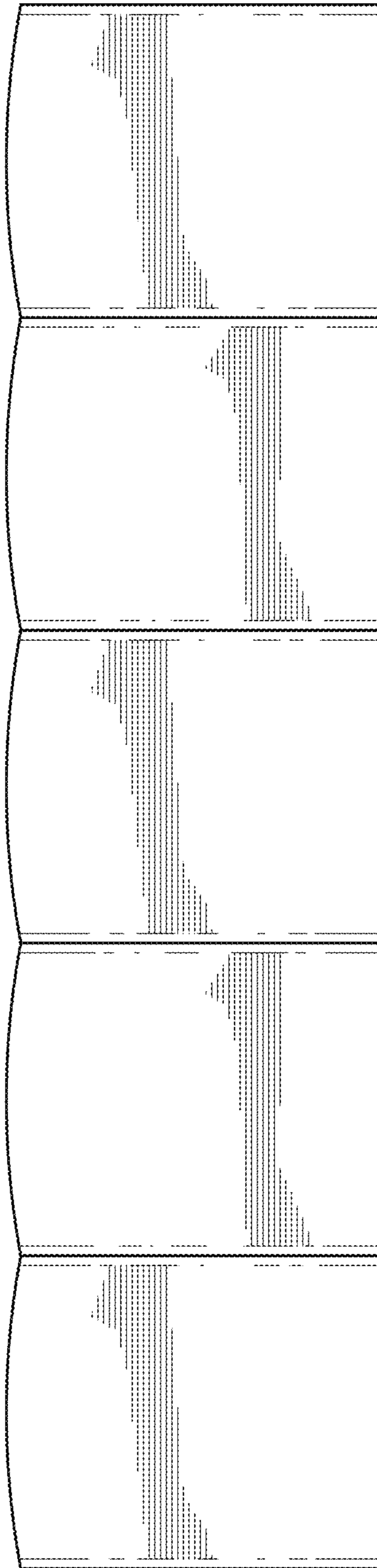


FIG. 36

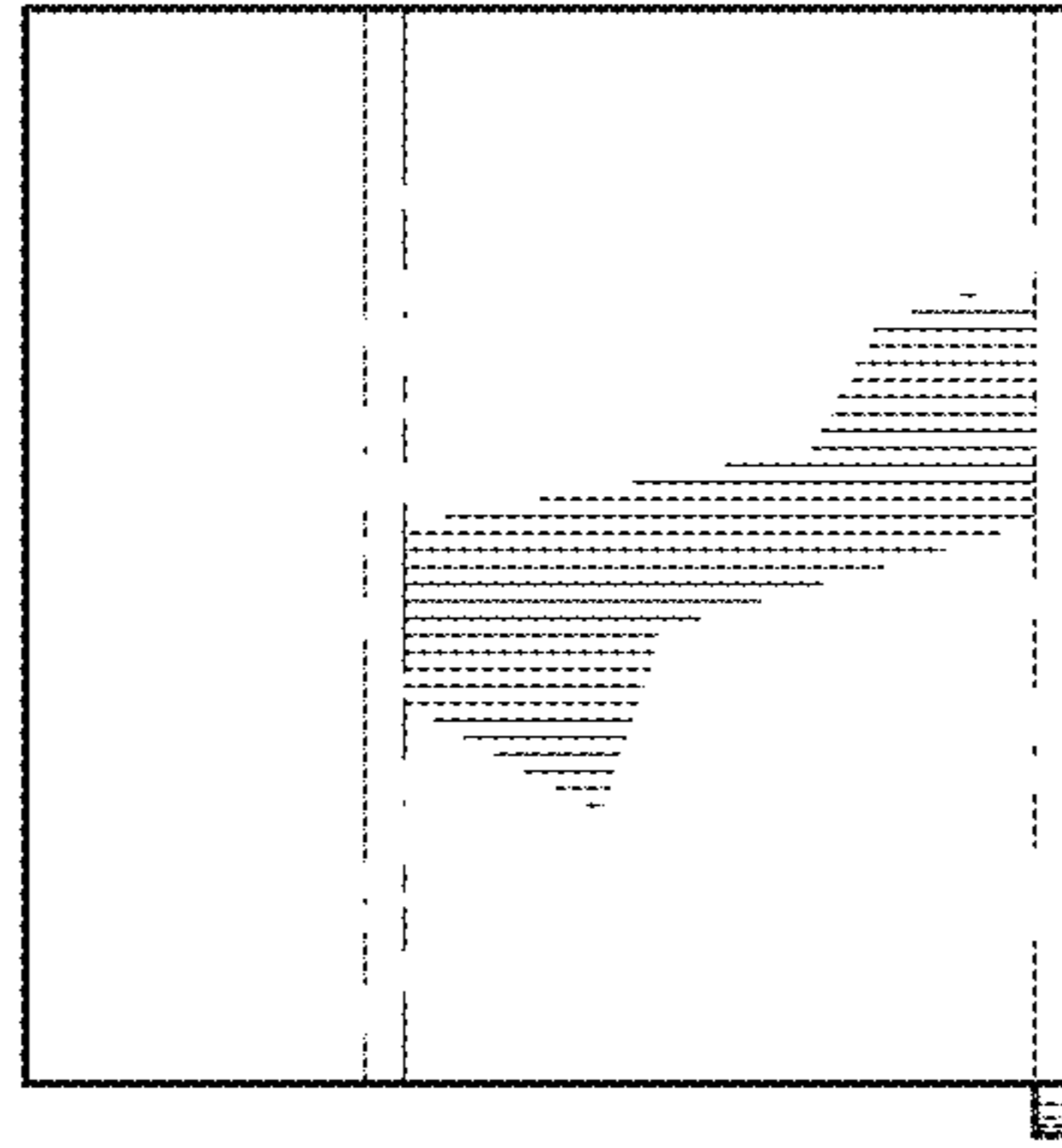


FIG. 35

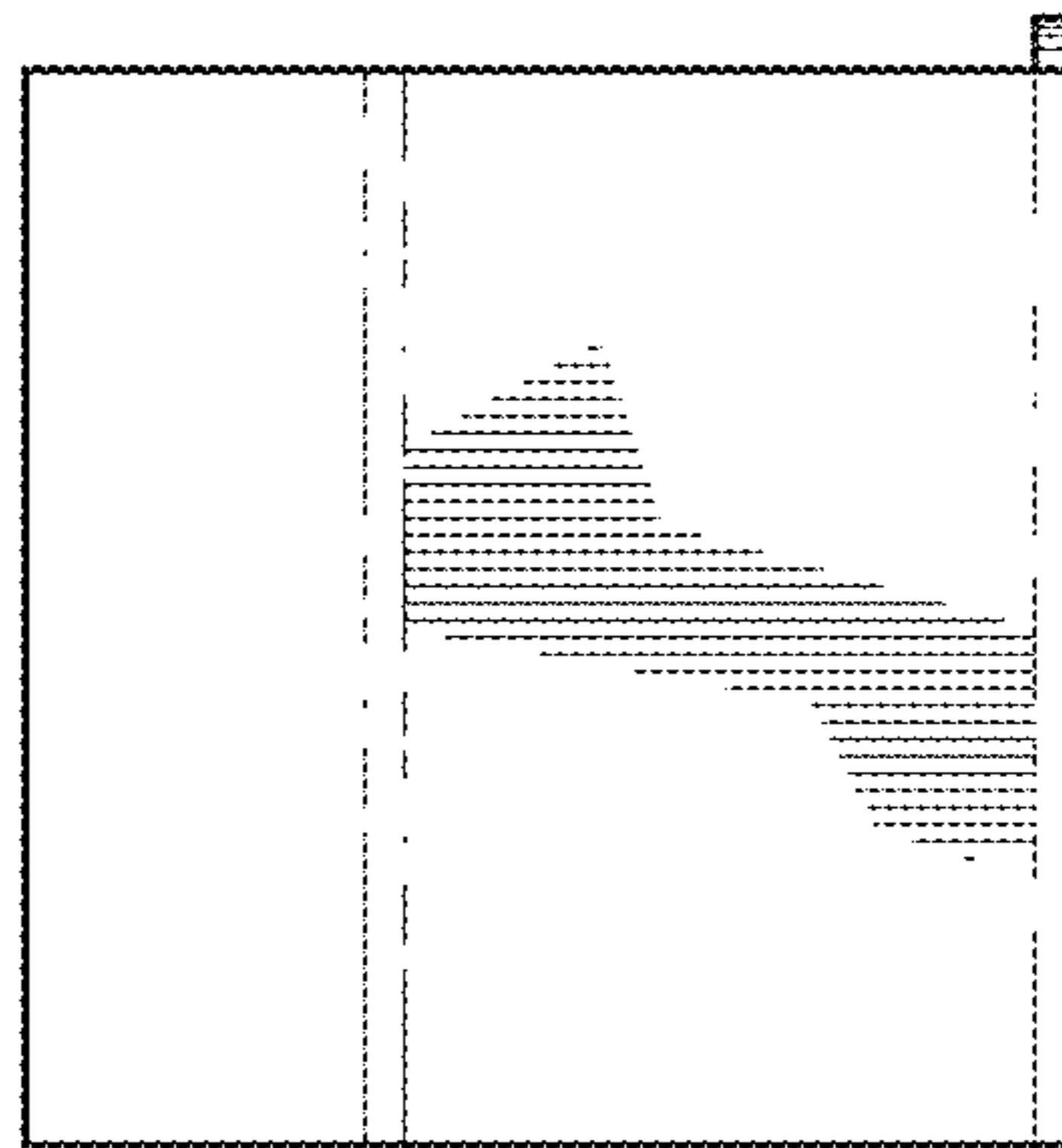


FIG. 37

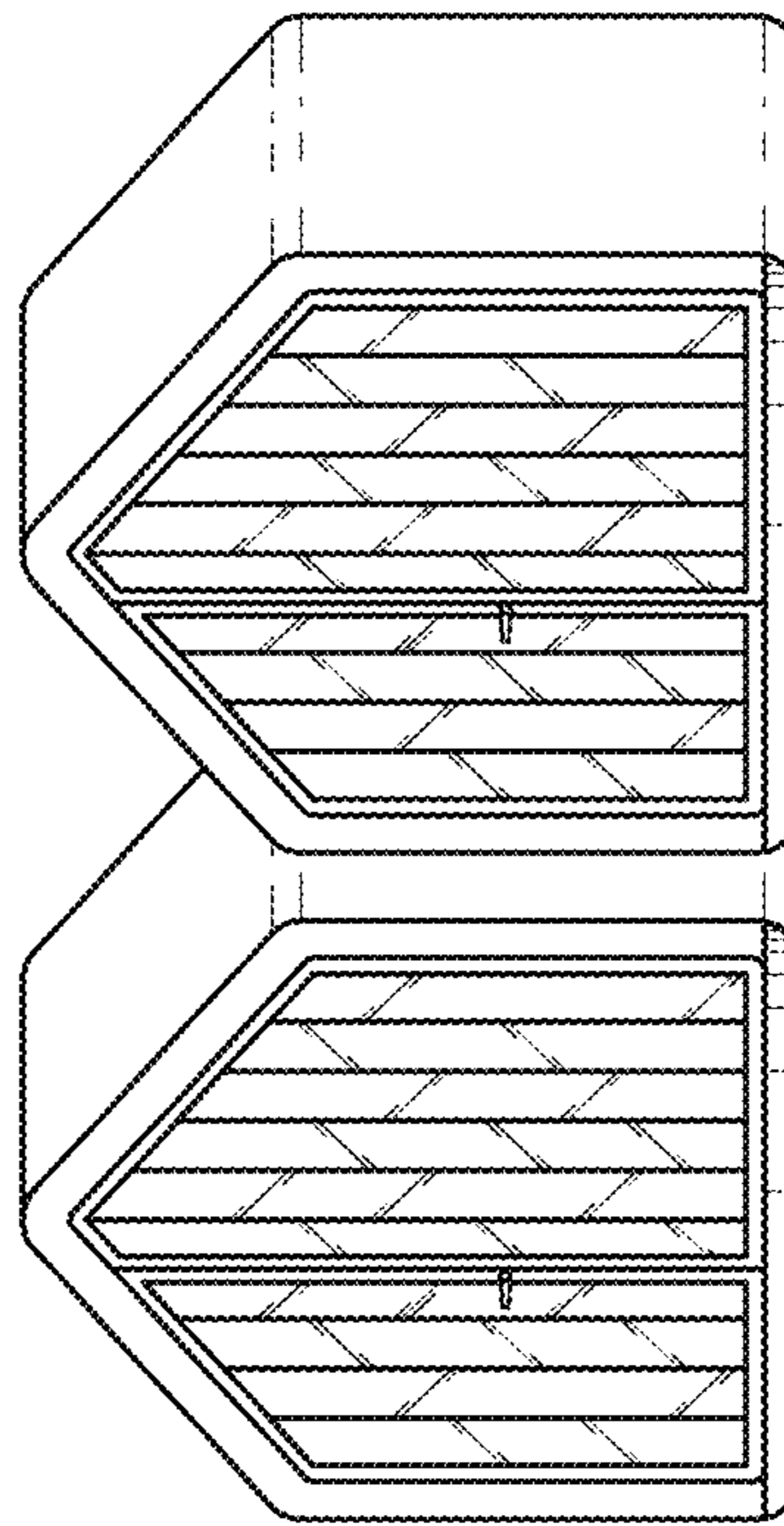


FIG. 38

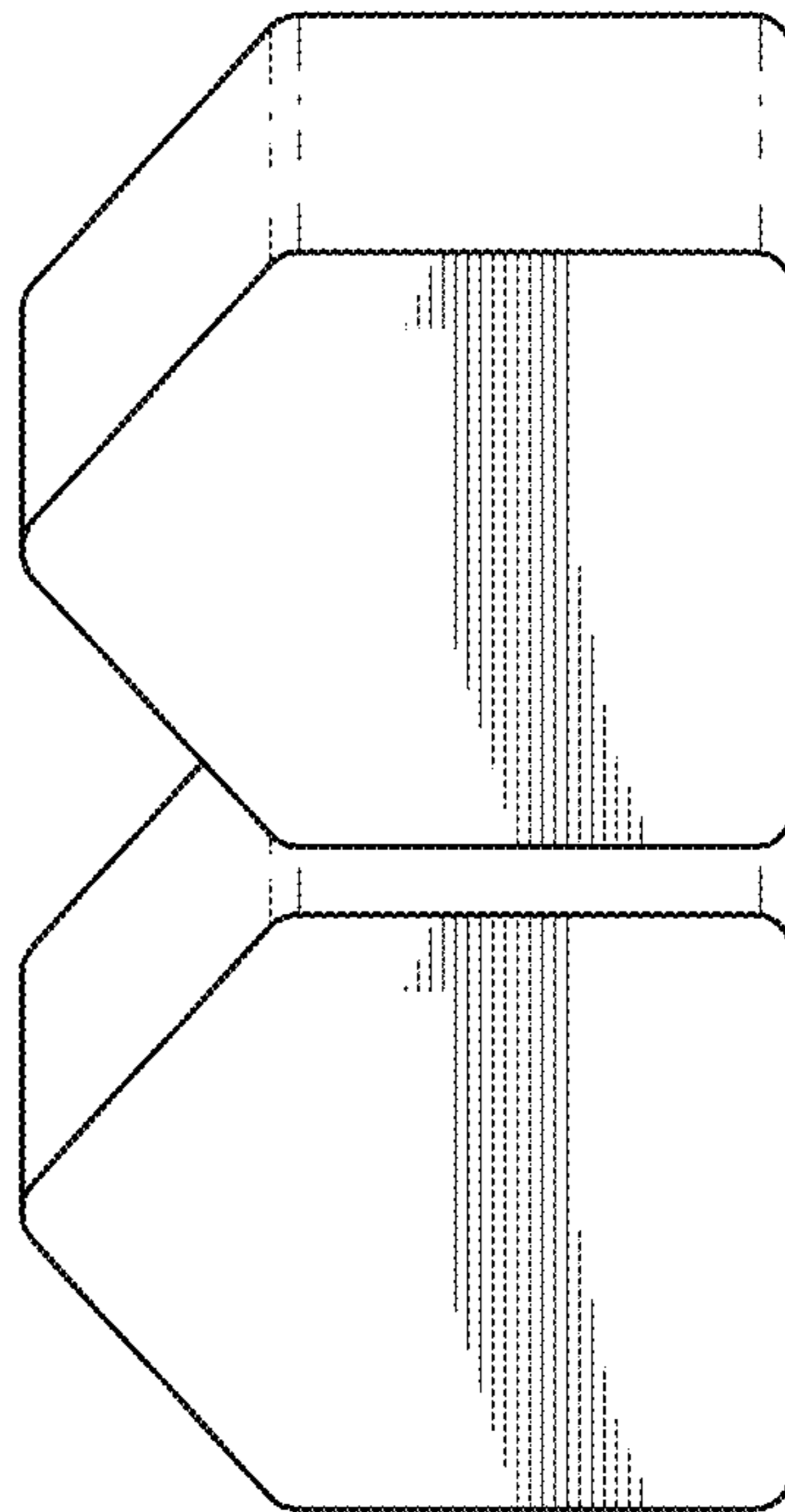


FIG. 39

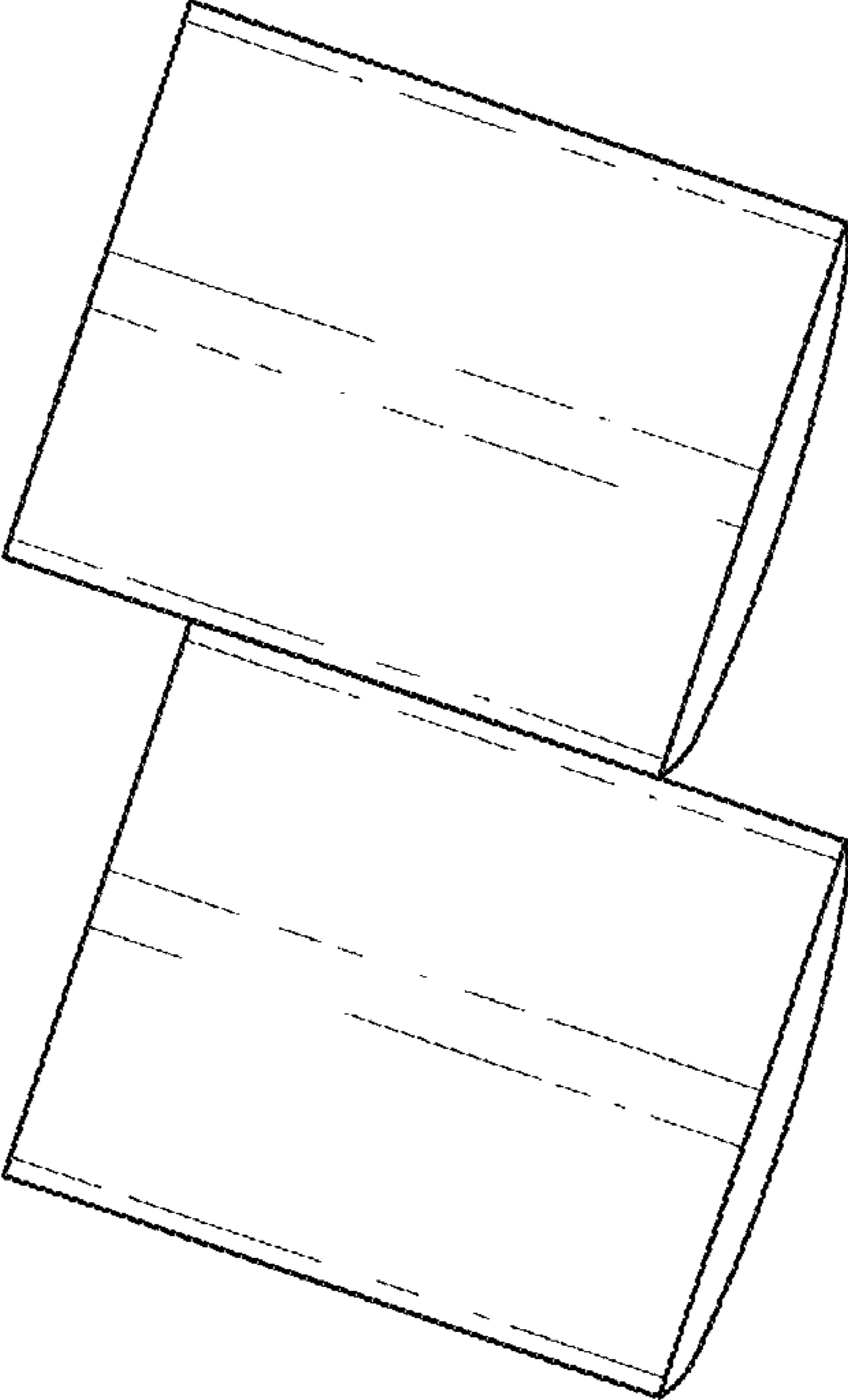


FIG. 40

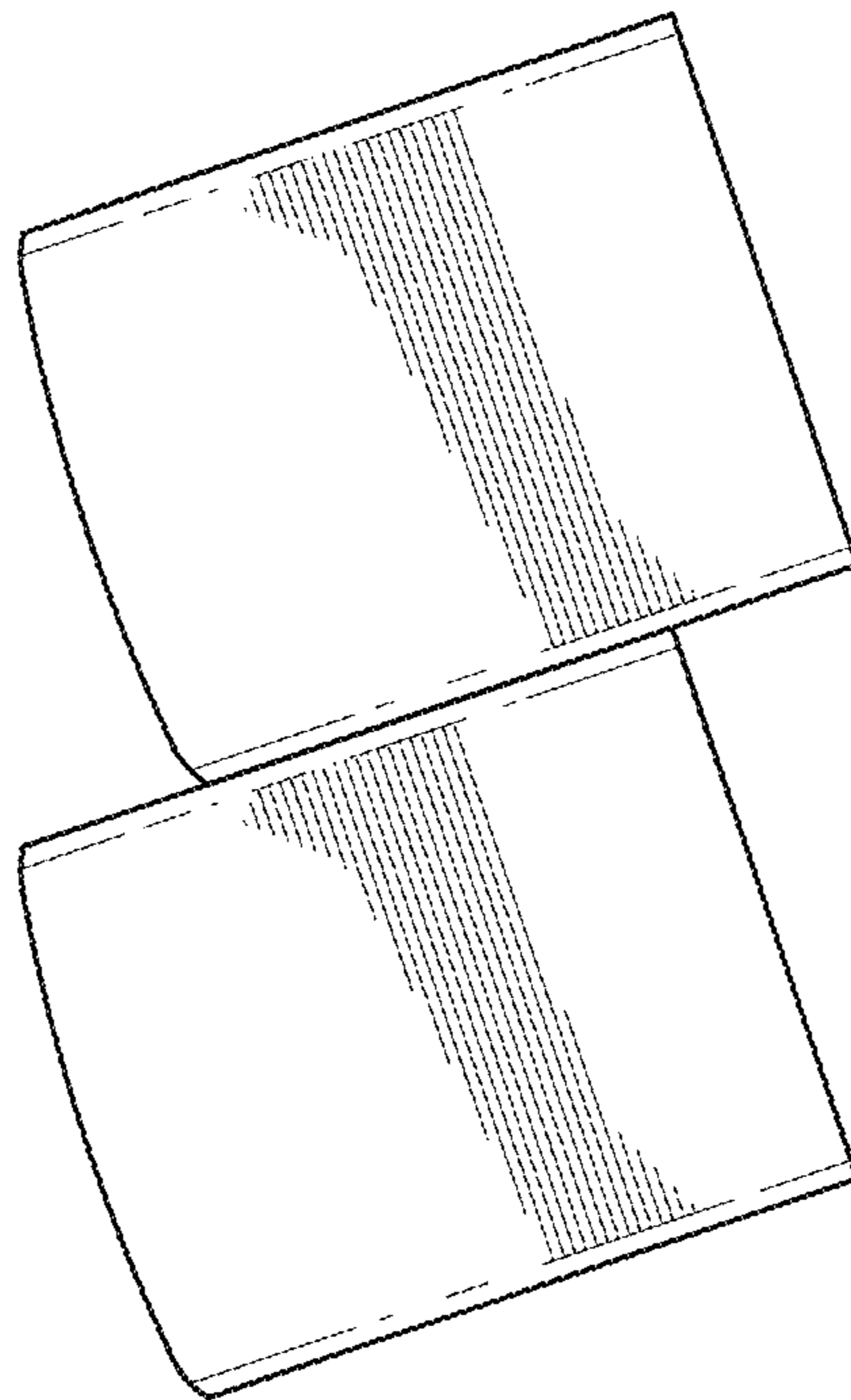


FIG. 42

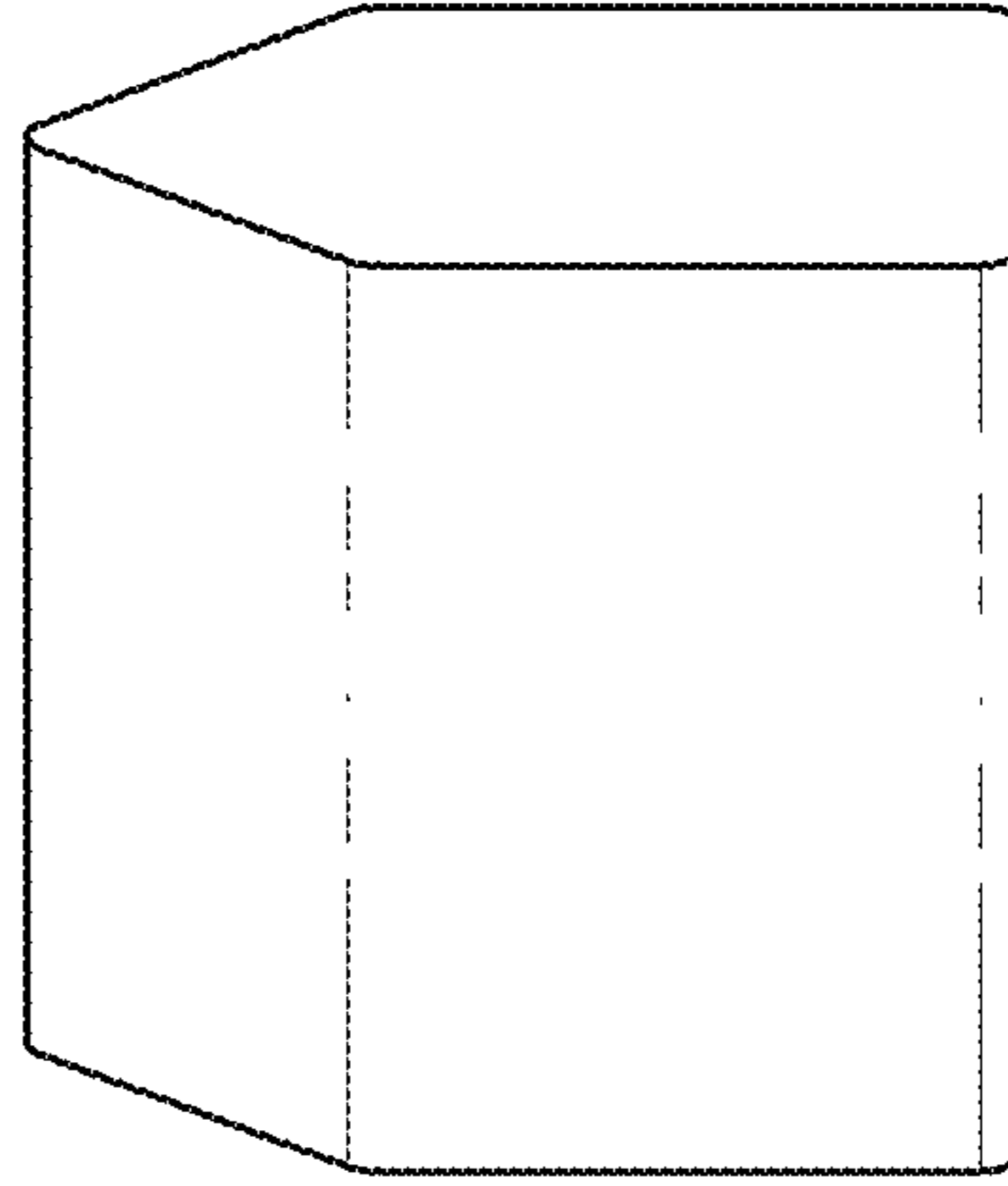


FIG. 41

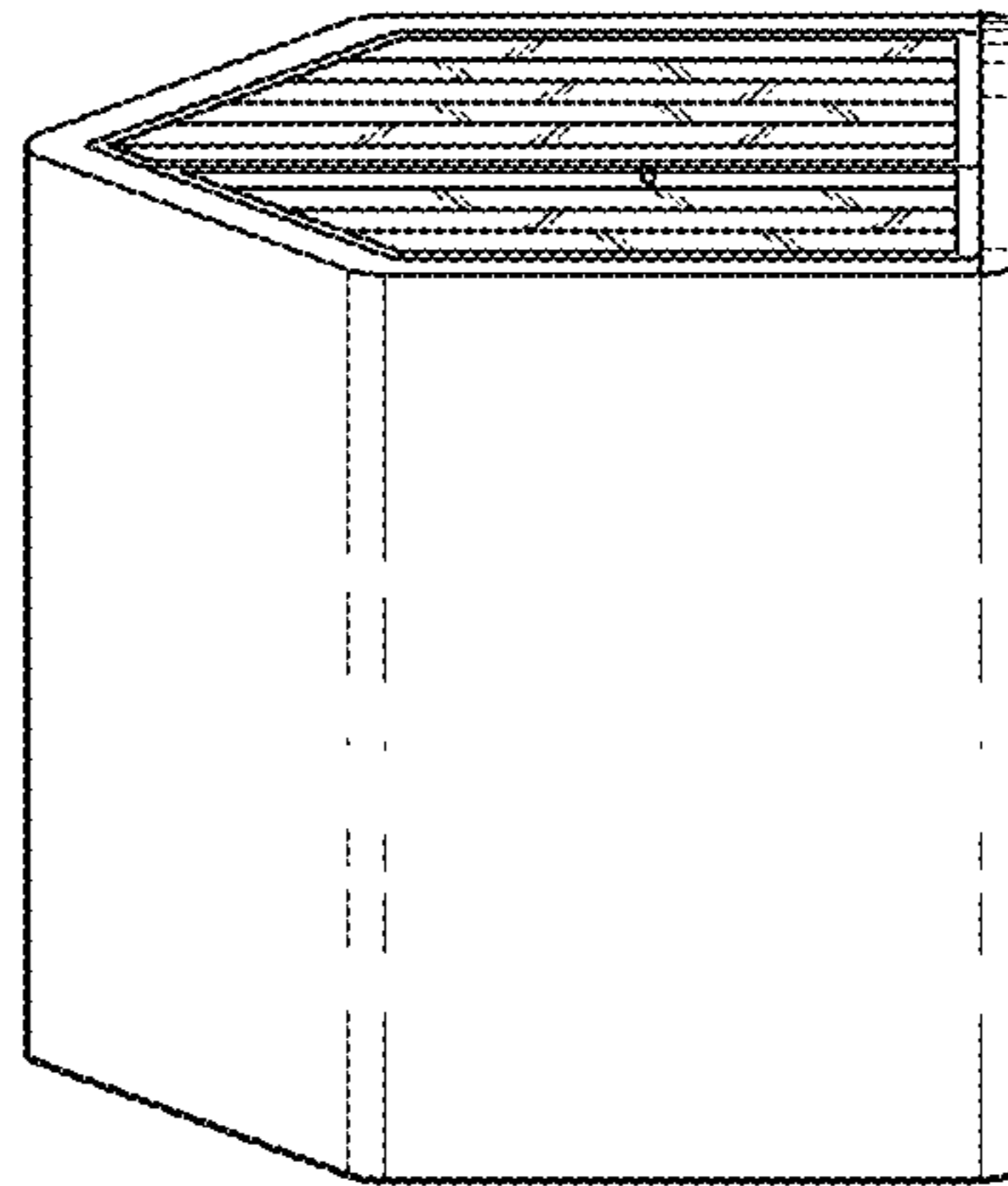


FIG. 43

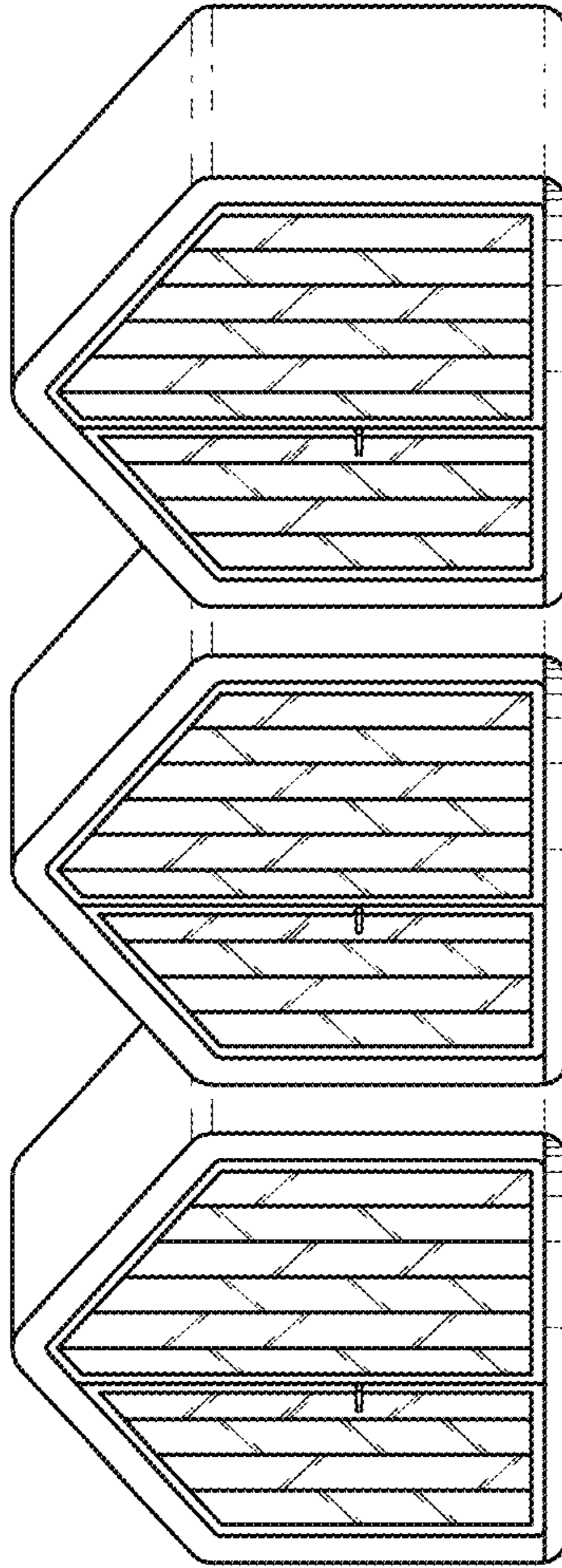


FIG. 44

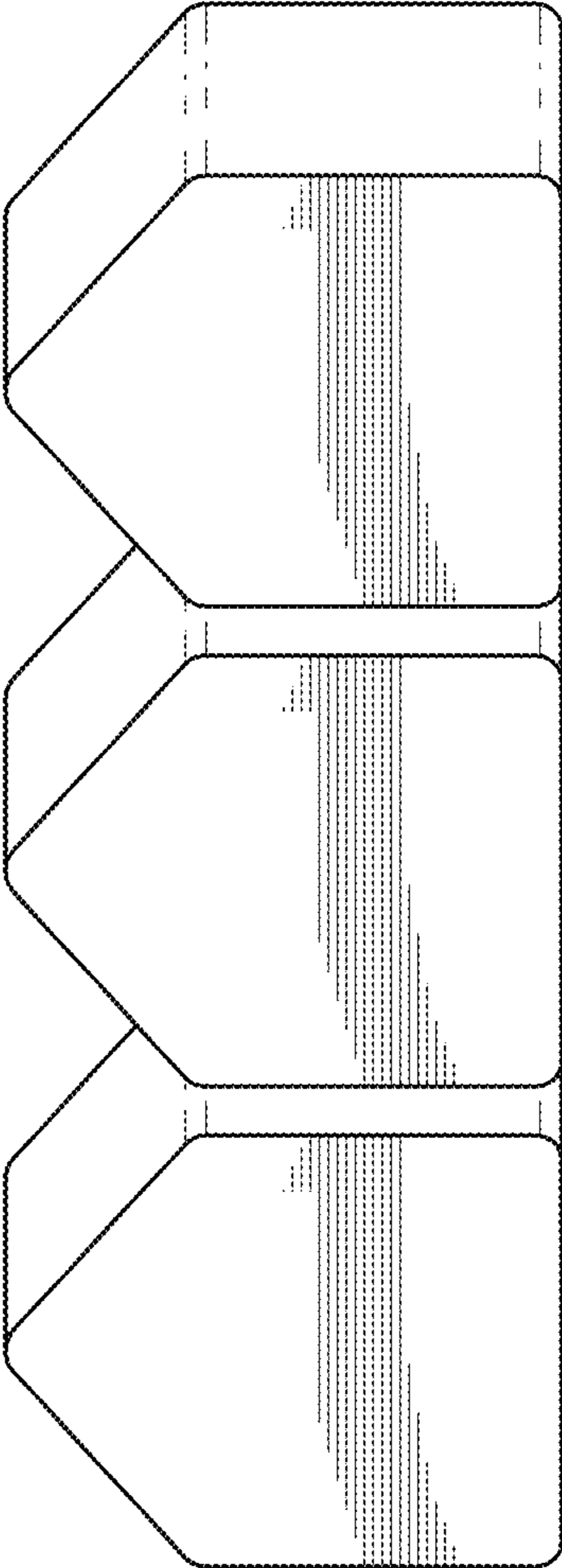


FIG. 45

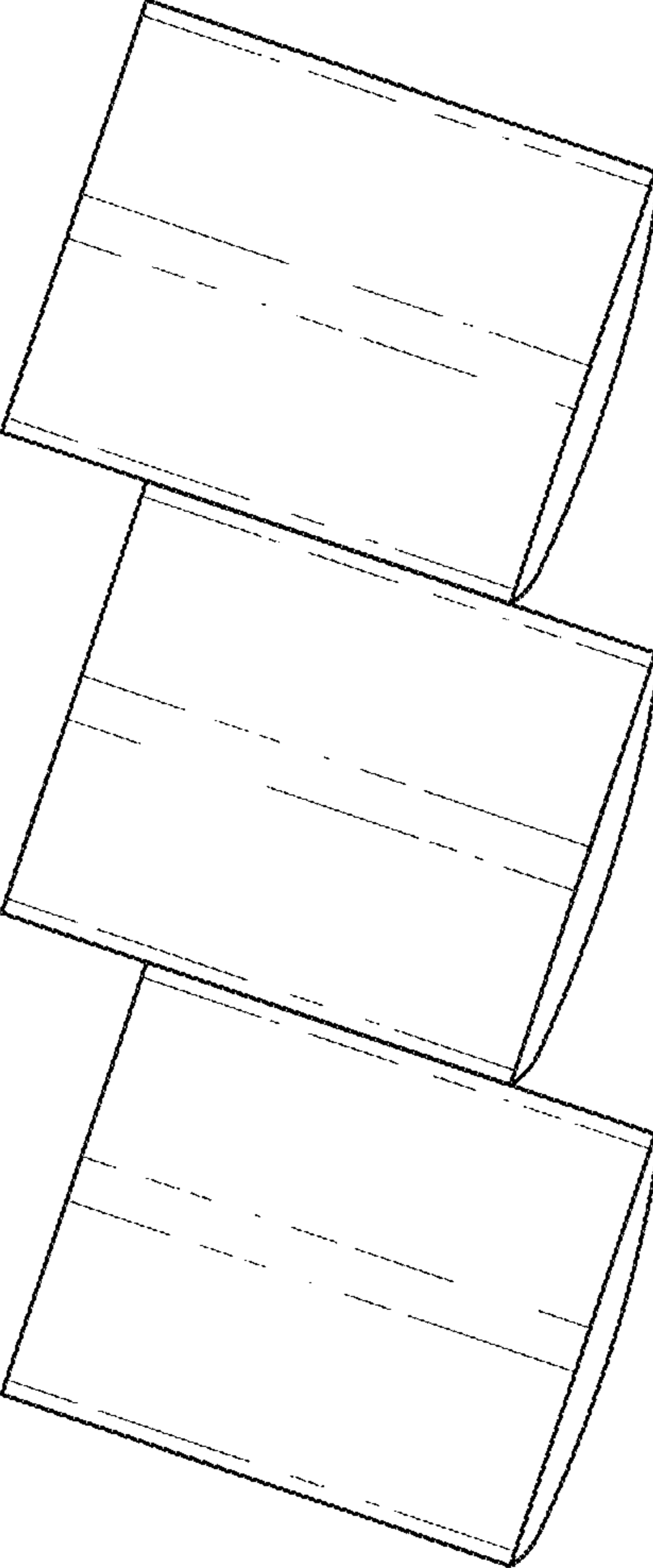


FIG. 46

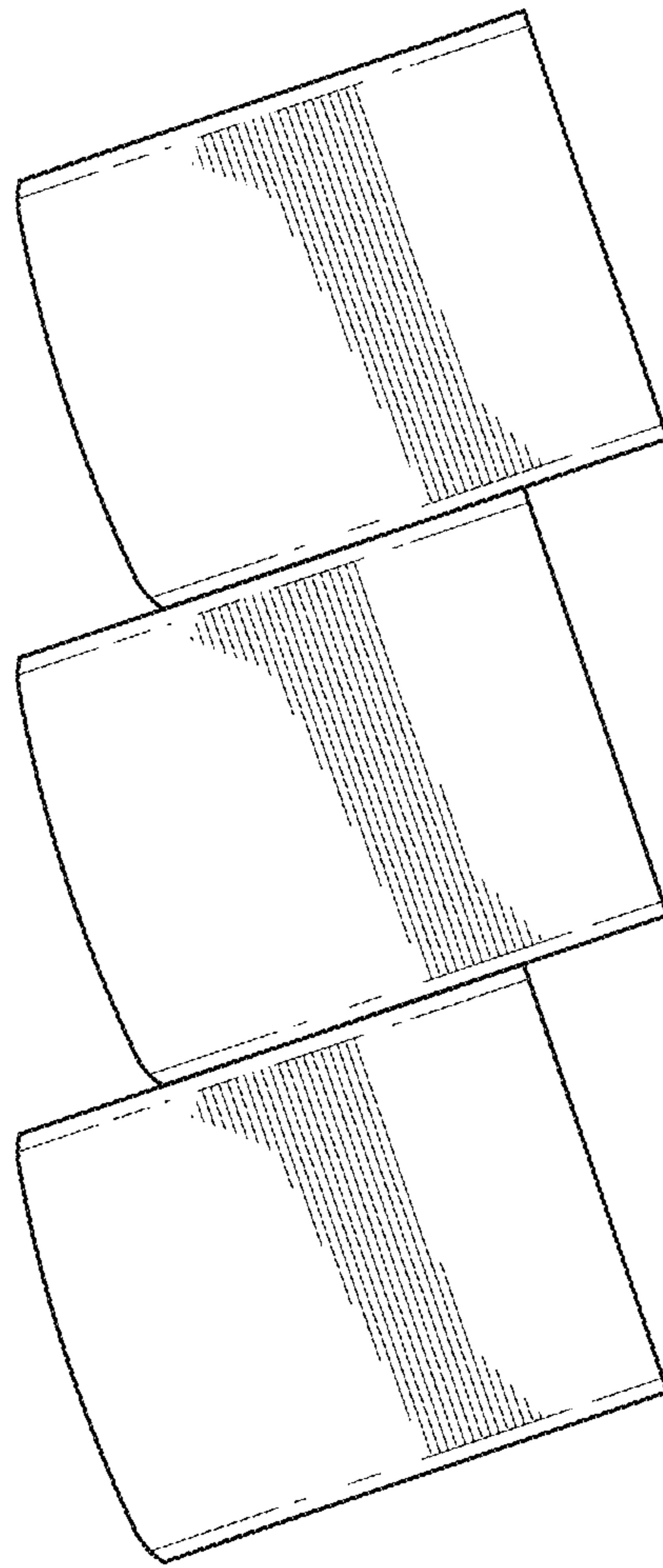


FIG. 48

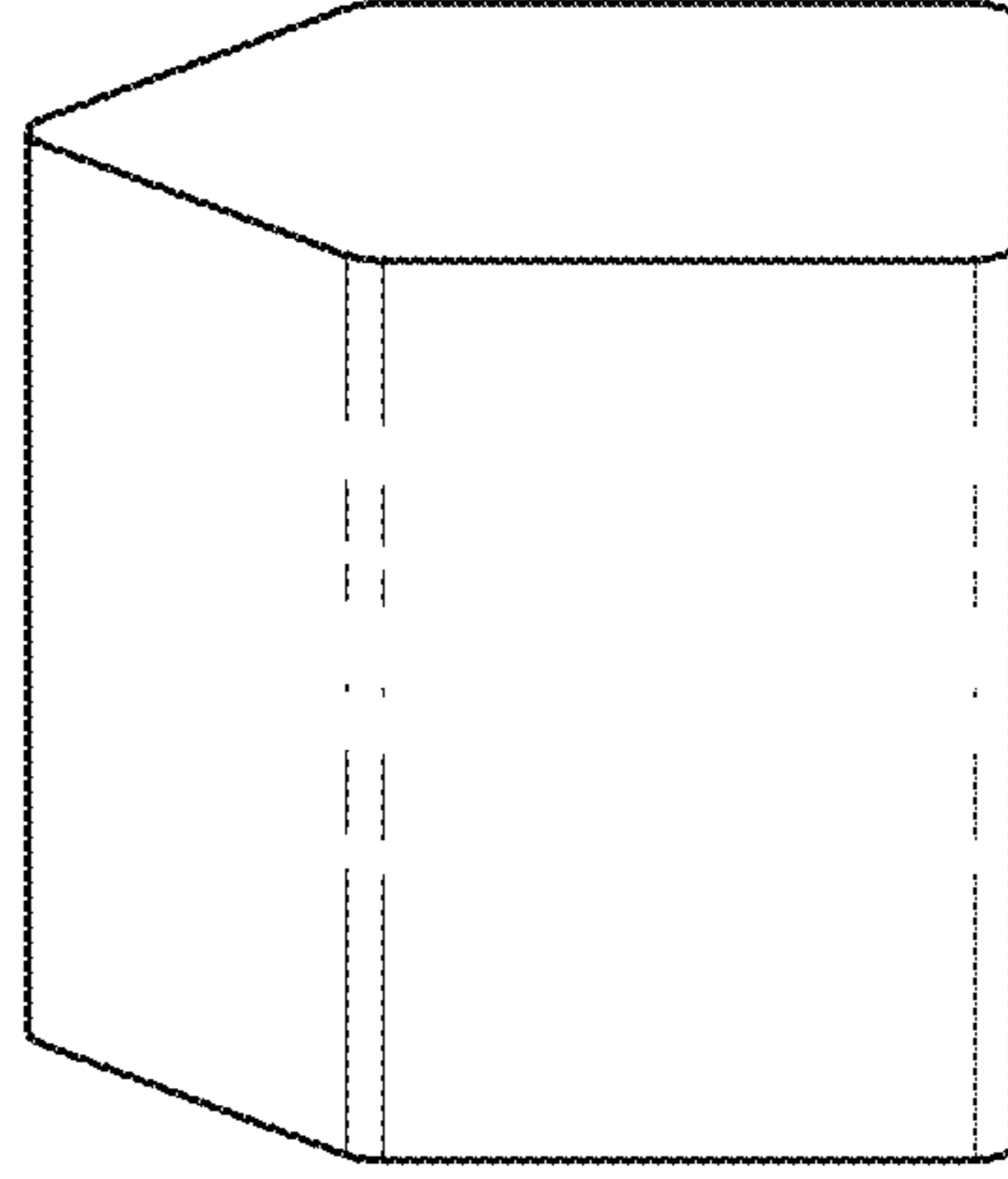


FIG. 47

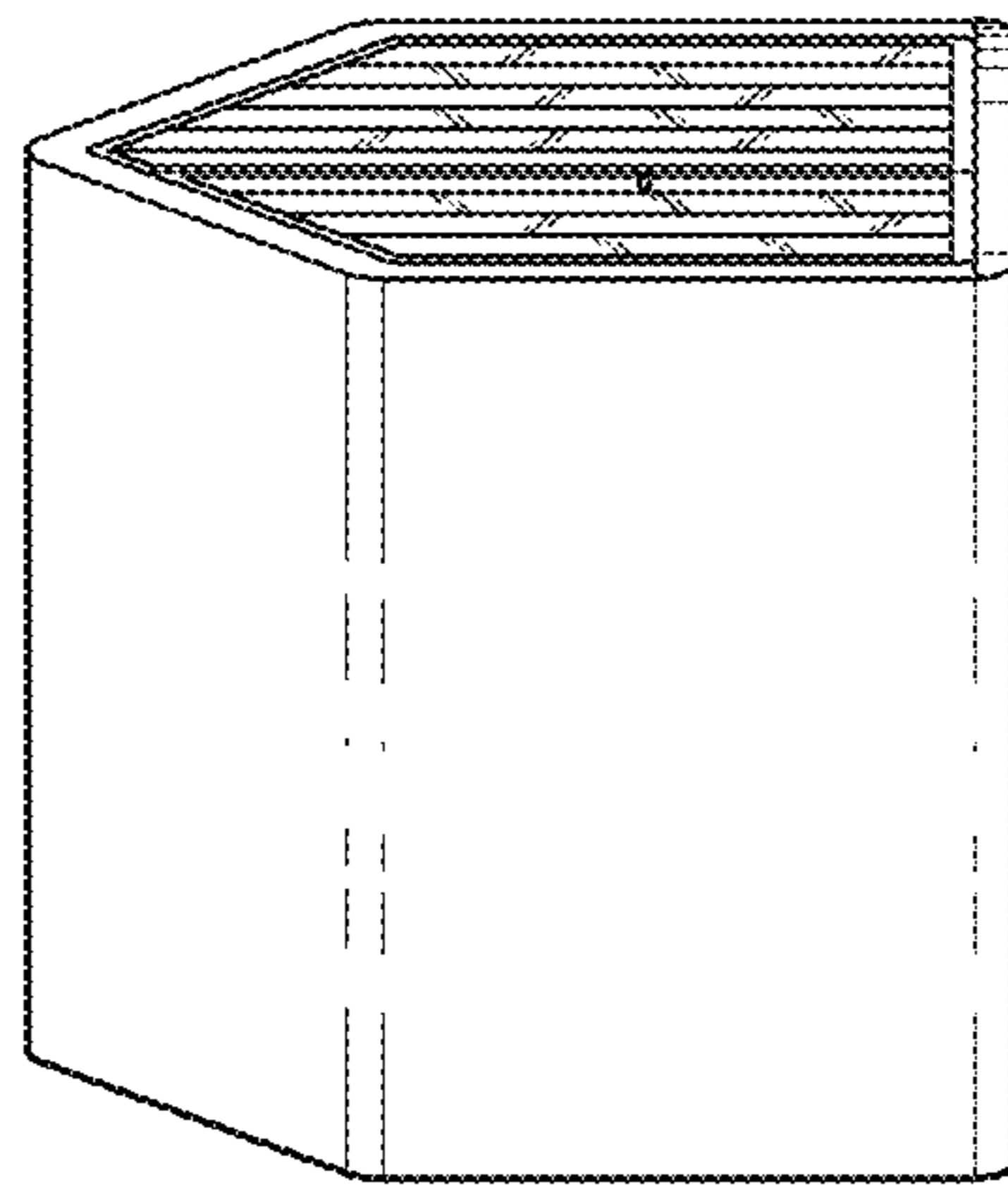


FIG. 49

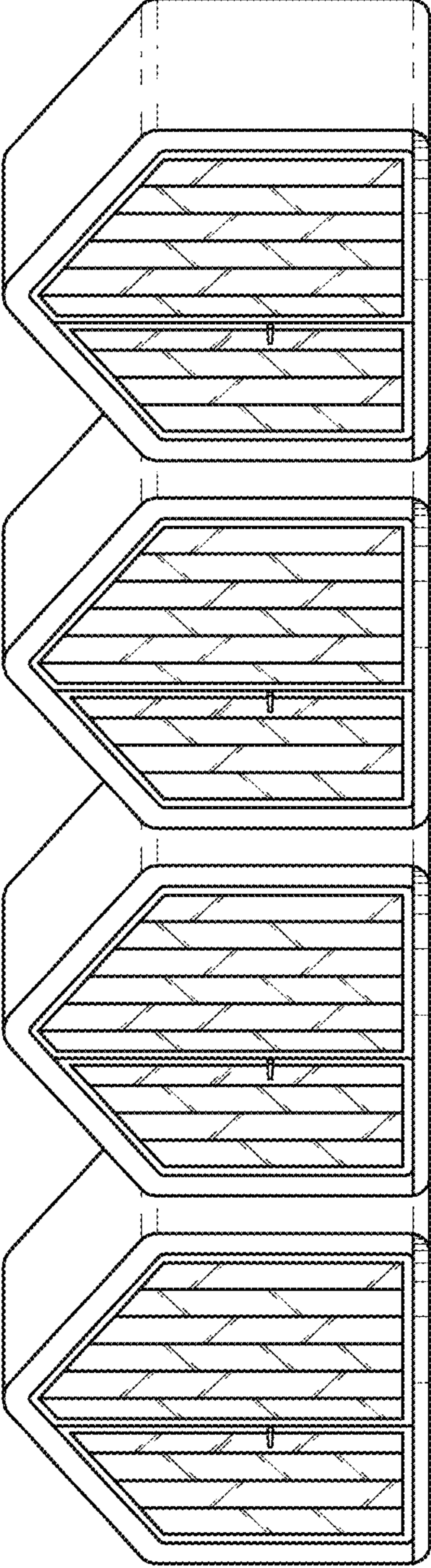


FIG. 50

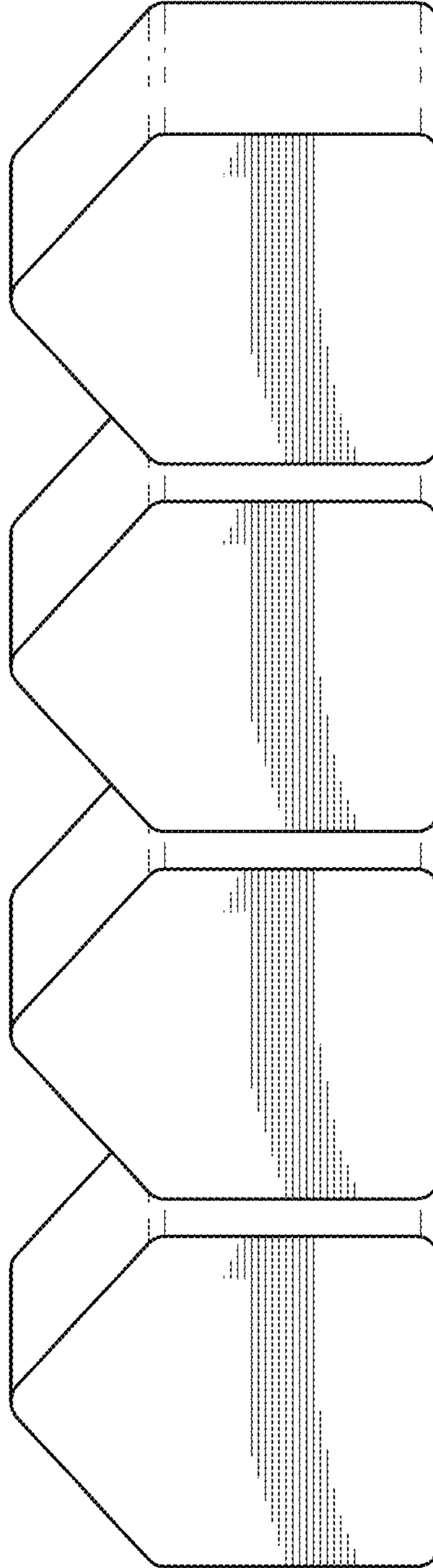


FIG. 51

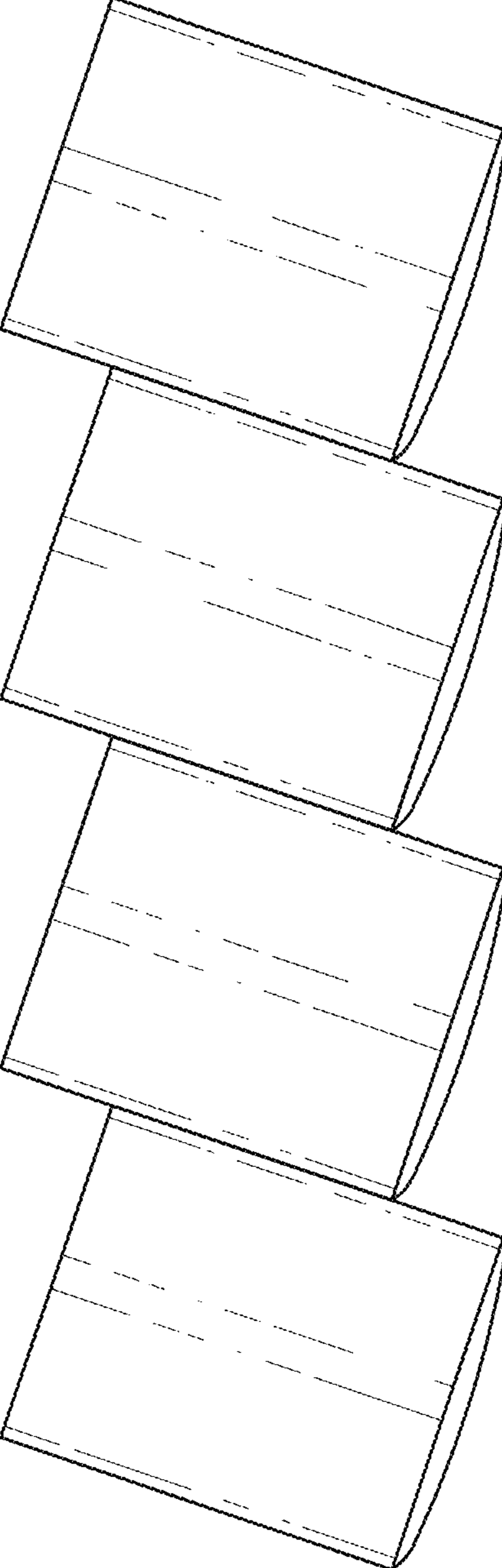


FIG. 52

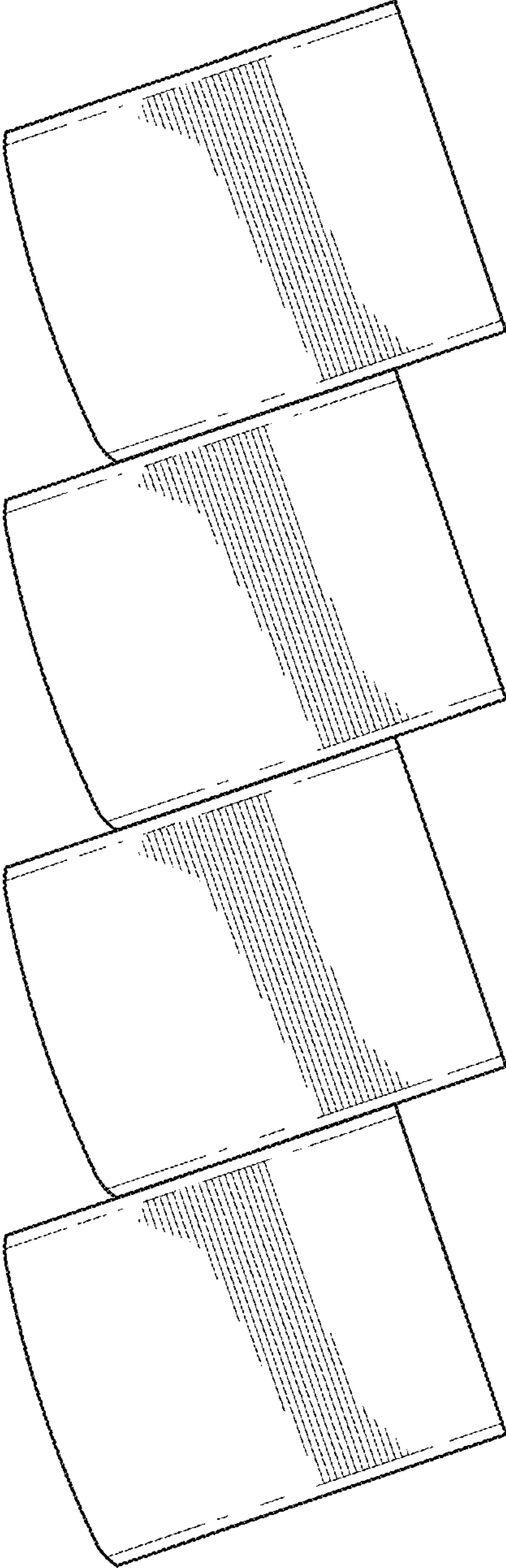


FIG. 54

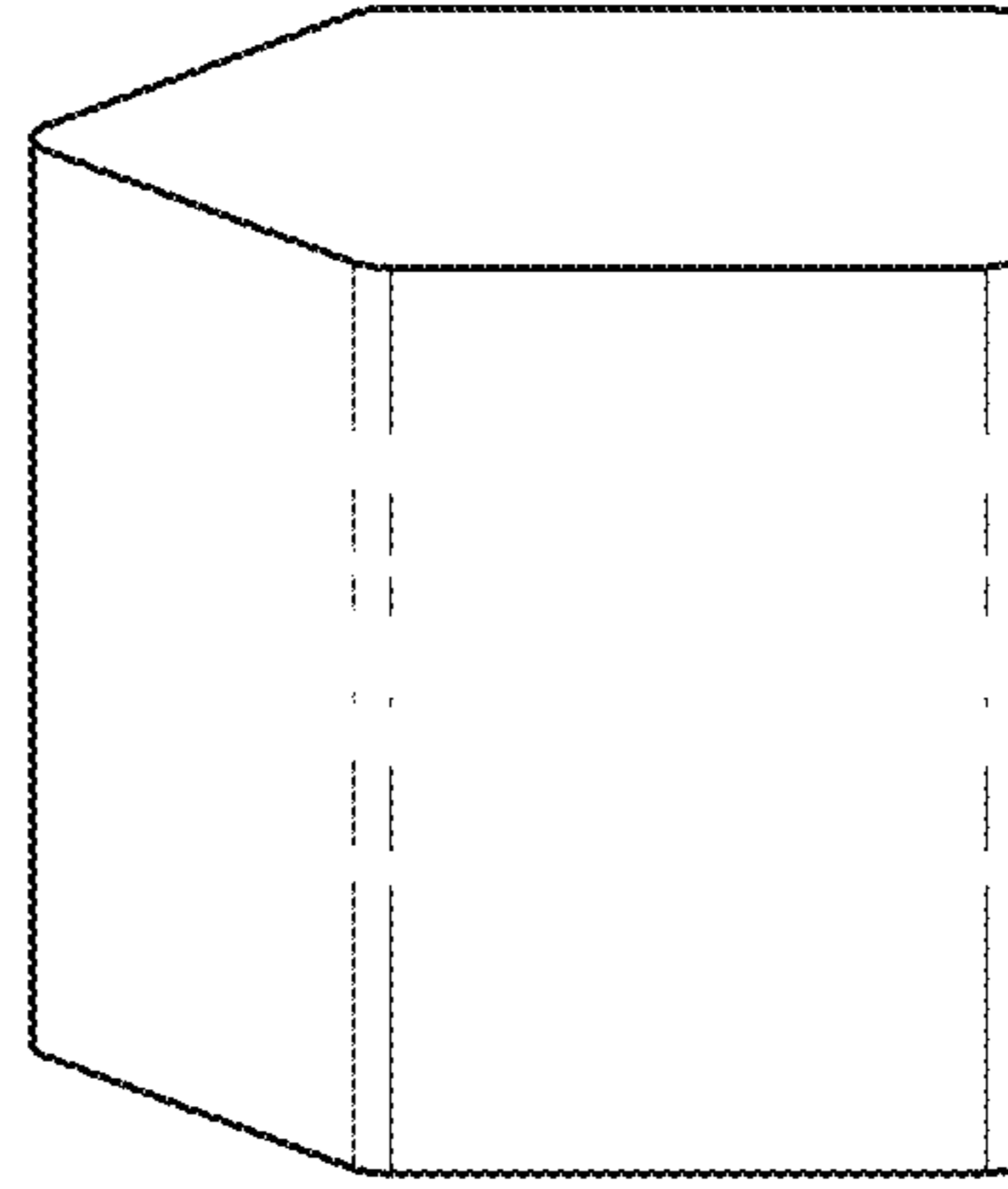


FIG. 53

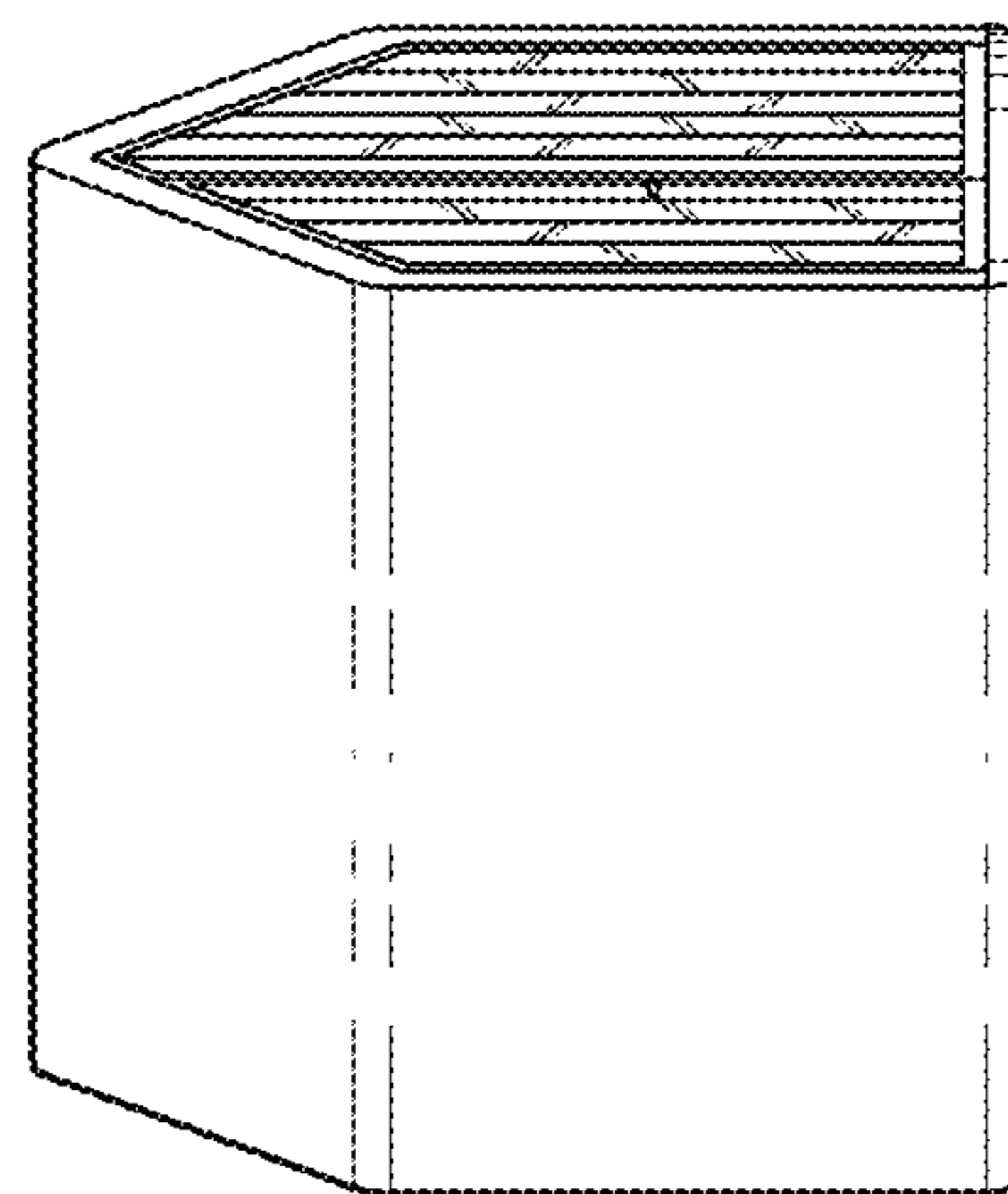


FIG. 55

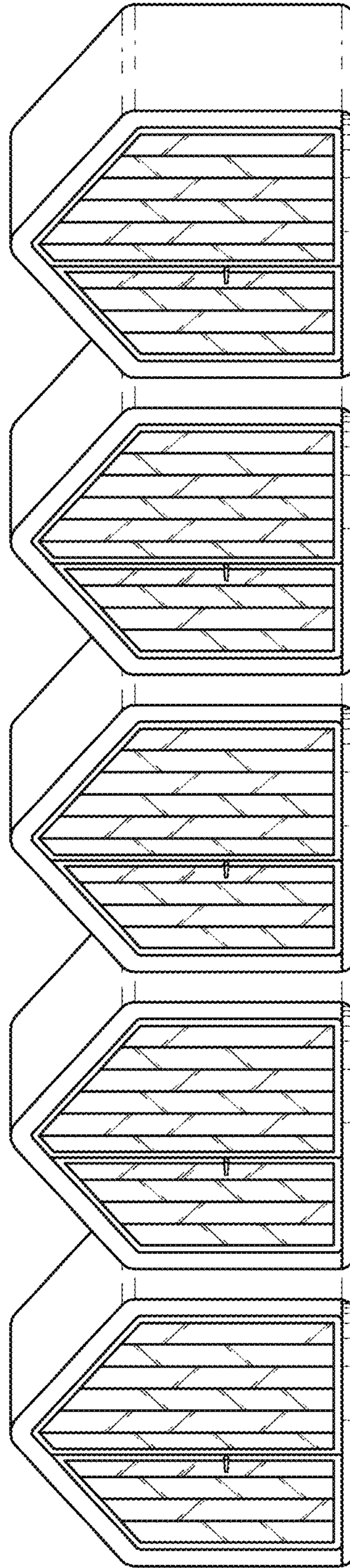


FIG. 56

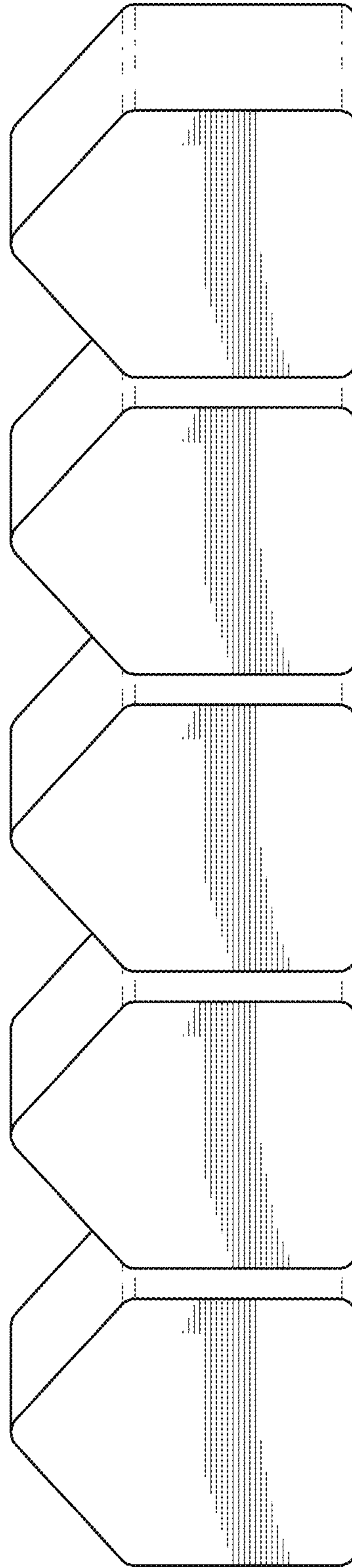


FIG. 57

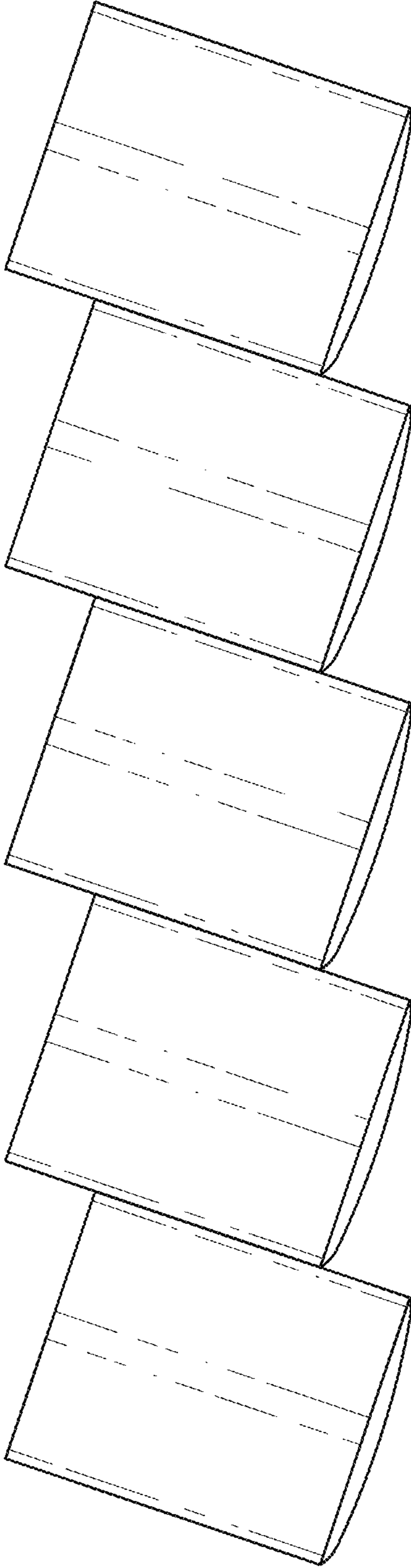


FIG. 58

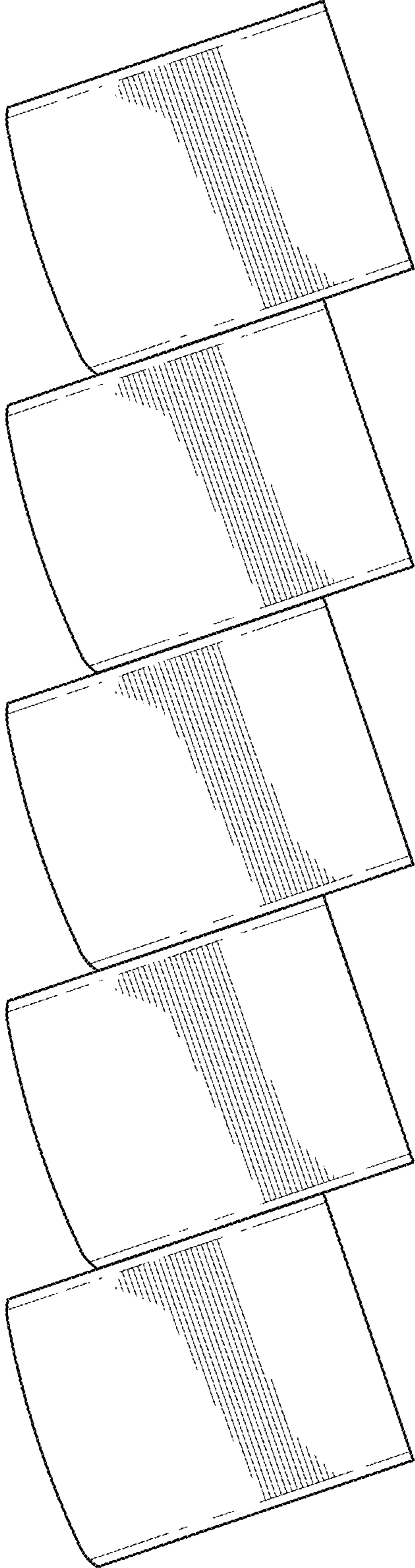


FIG. 60

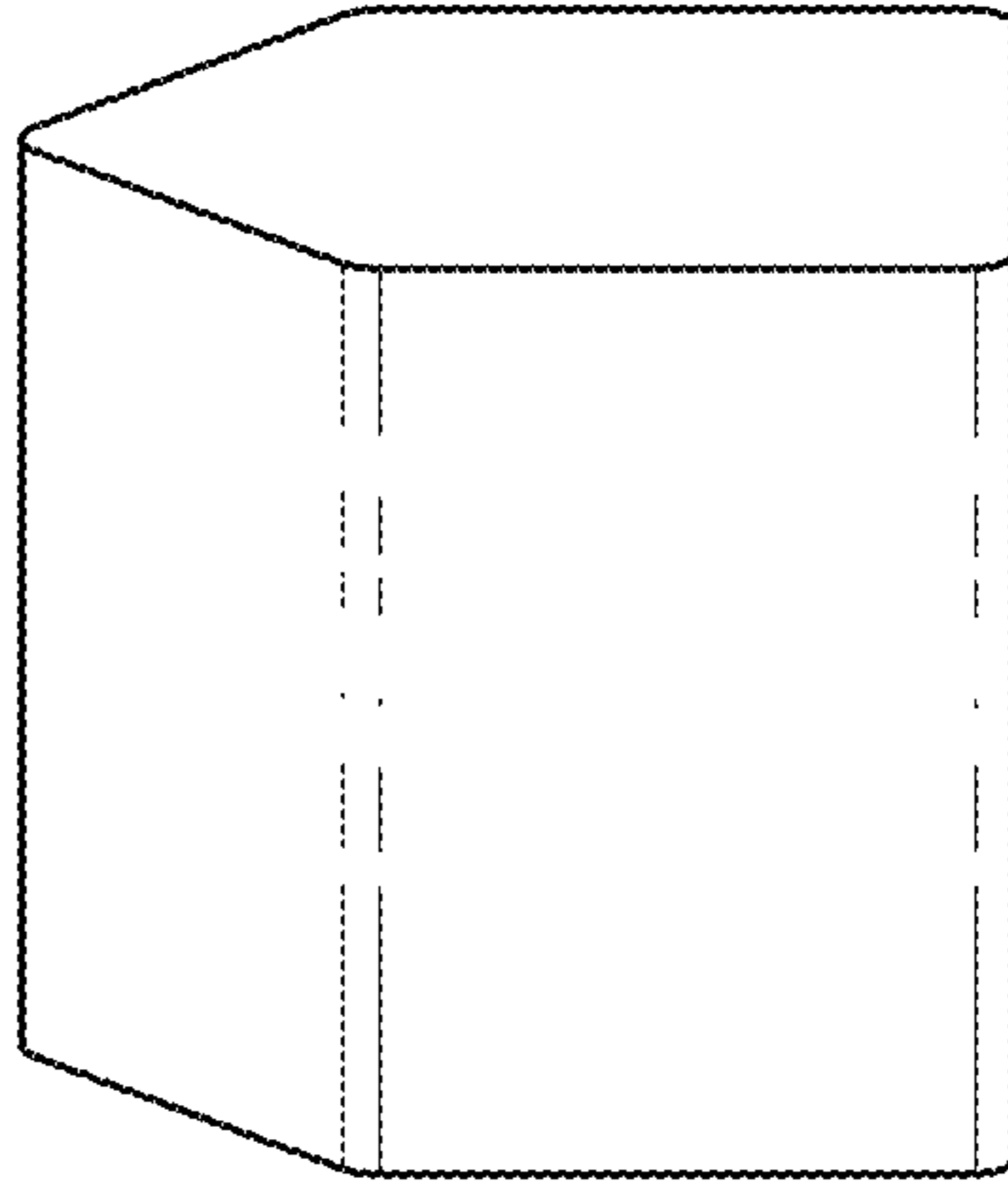


FIG. 59

