



US00D824531S

(12) **United States Design Patent**  
**Potts et al.**

(10) **Patent No.:** **US D824,531 S**  
(45) **Date of Patent:** **\*\* Jul. 31, 2018**

(54) **BIOLOGICAL SAMPLE COLLECTOR  
DEVICE**

(71) Applicant: **GE Healthcare UK Limited,**  
Buckinghamshire (GB)

(72) Inventors: **Cheryl Louise Potts, Cardiff (GB);**  
**Neil Williams, Cardiff (GB);**  
**Christopher Burrows, Cardiff (GB)**

(73) Assignee: **GE Healthcare UK Limited,**  
Buckinghamshire (GB)

(\*\*) Term: **15 Years**

(21) Appl. No.: **29/556,936**

(22) Filed: **Mar. 4, 2016**

(30) **Foreign Application Priority Data**

Sep. 28, 2015 (GB) ..... 4043428

(51) **LOC (11) Cl.** ..... **24-01**

(52) **U.S. Cl.**  
USPC ..... **D24/216**

(58) **Field of Classification Search**  
USPC ..... D24/216, 223, 224, 231, 232, 233, 169,  
D24/186, 119, 121; D10/81  
CPC ..... B01L 3/5029; B01L 3/5023; B01L 3/508;  
B01L 2300/0835; A16B 10/0038; A16B  
10/0045; A16B 10/0051; A16B 10/0096;  
A16B 2010/0216  
See application file for complete search history.

(56) **References Cited**

**U.S. PATENT DOCUMENTS**

5,766,962 A \* 6/1998 Childs ..... A61B 10/0045  
422/255  
D673,288 S \* 12/2012 Pierce ..... D24/216

D673,289 S \* 12/2012 Pierce ..... D24/216  
D673,290 S \* 12/2012 Pierce ..... D24/216  
D673,689 S \* 1/2013 Pierce ..... D24/216  
2008/0196517 A1 \* 8/2008 Harvey ..... B01L 3/5023  
73/864.91  
2014/0100480 A1 \* 4/2014 Pierce ..... A61B 10/0045  
600/573  
2014/0303518 A1 \* 10/2014 Pierce ..... A61B 10/0051  
600/573  
2016/0107156 A1 \* 4/2016 Tatnell ..... A61B 10/0045  
435/30  
2016/0157838 A1 \* 6/2016 Tatnell ..... A61B 10/0096  
53/428

\* cited by examiner

*Primary Examiner* — Anhdao Doan

(57) **CLAIM**

The ornamental design for a biological sample collector device, as shown and described.

**DESCRIPTION**

FIG. 1 is a front perspective view of a biological sample collector device showing our new design;  
FIG. 2 is a rear perspective view thereof;  
FIG. 3 is a right side view thereof, the left side view being a mirror image;  
FIG. 4 is a top view thereof;  
FIG. 5 is a bottom view thereof;  
FIG. 6 is a front view thereof; and,  
FIG. 7 is a rear view thereof.

**1 Claim, 6 Drawing Sheets**

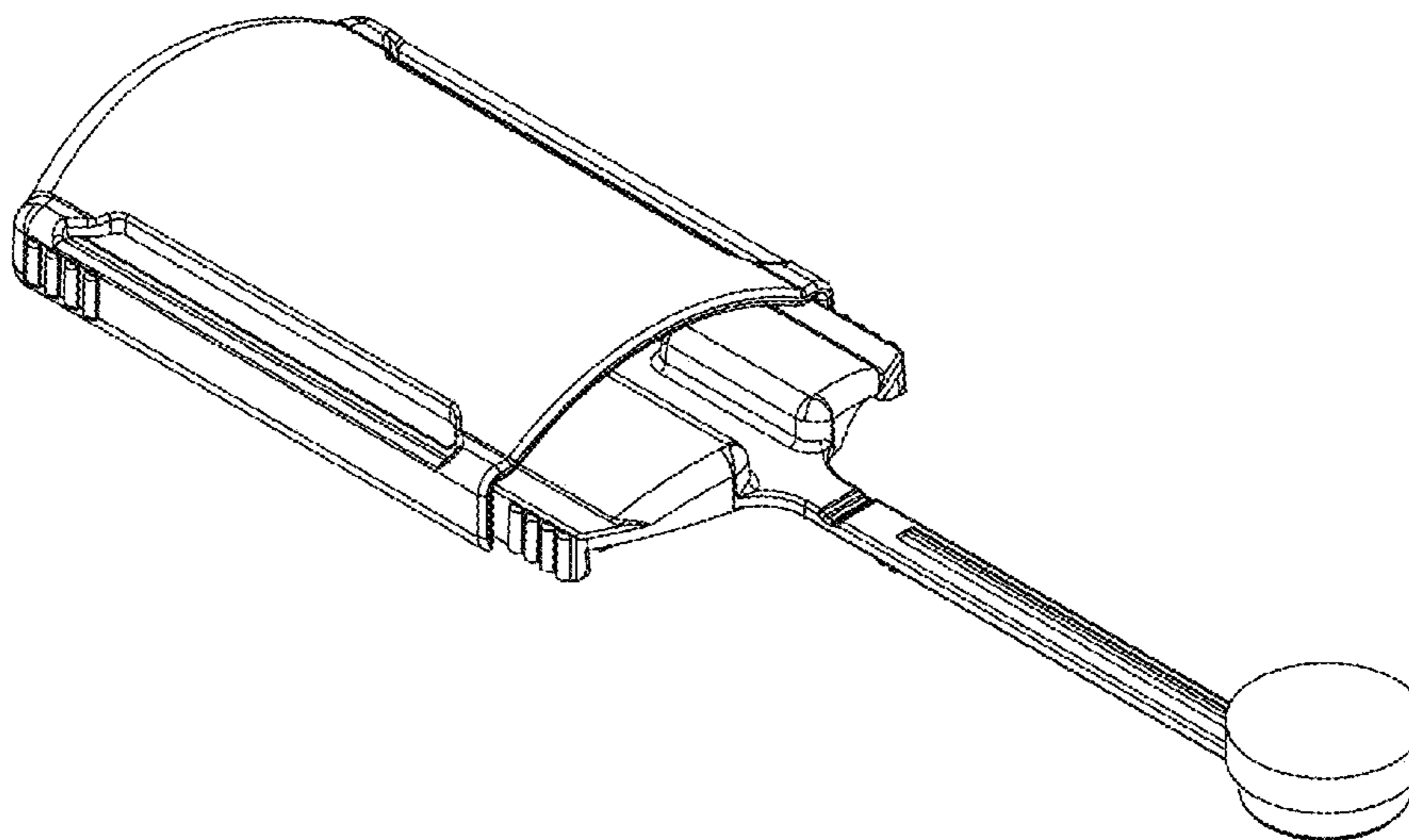


Fig 1

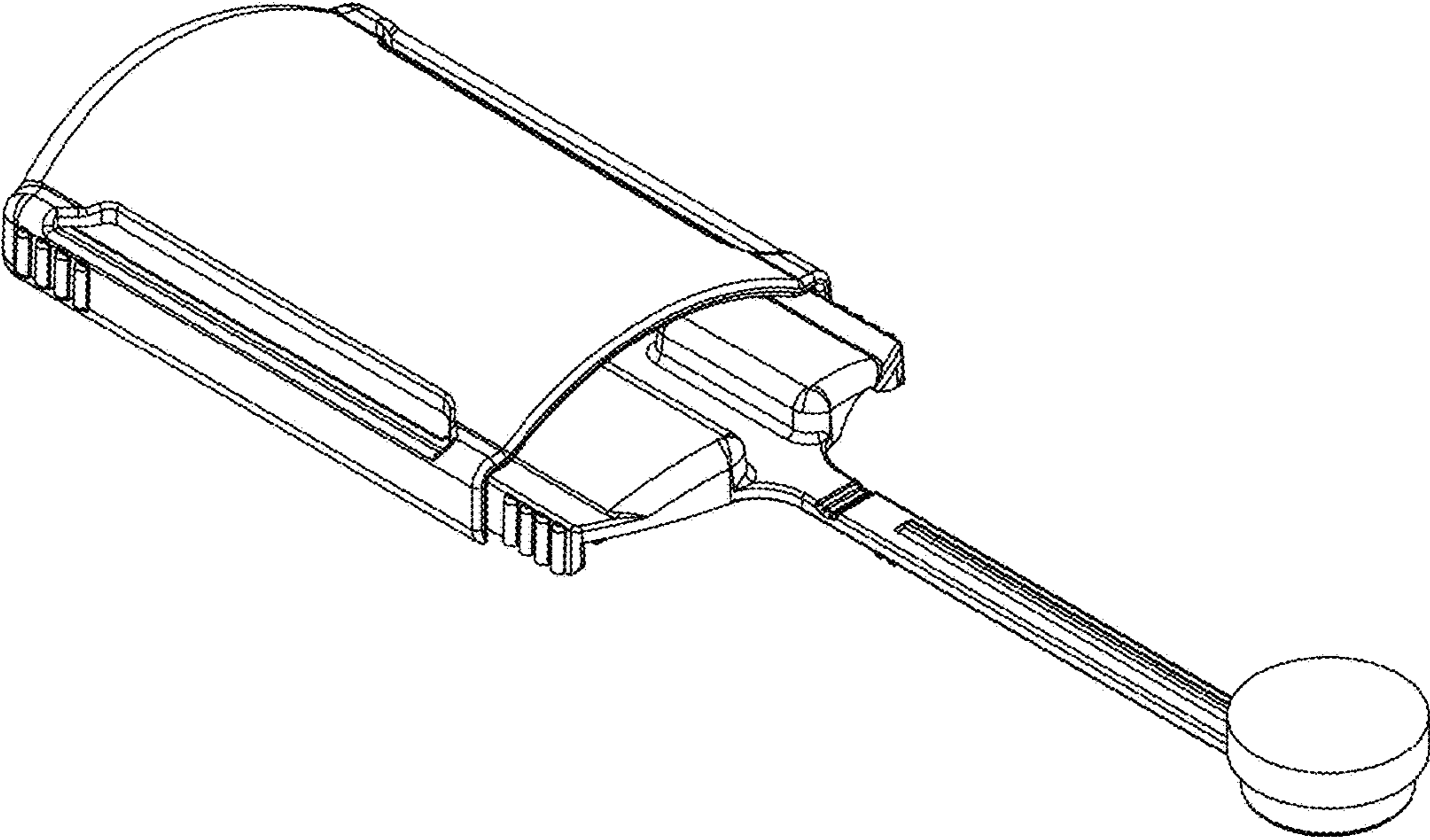


Fig 2

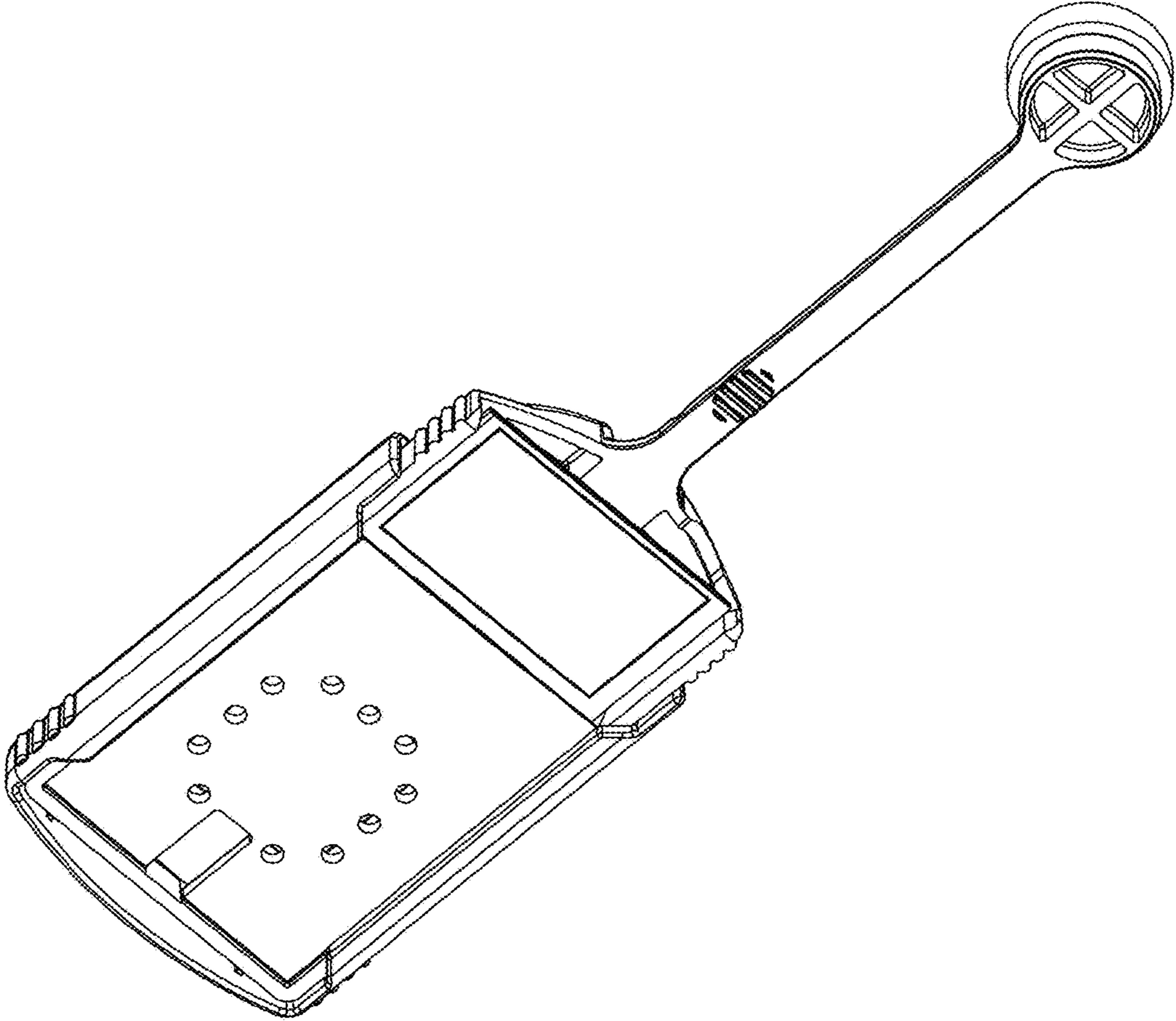
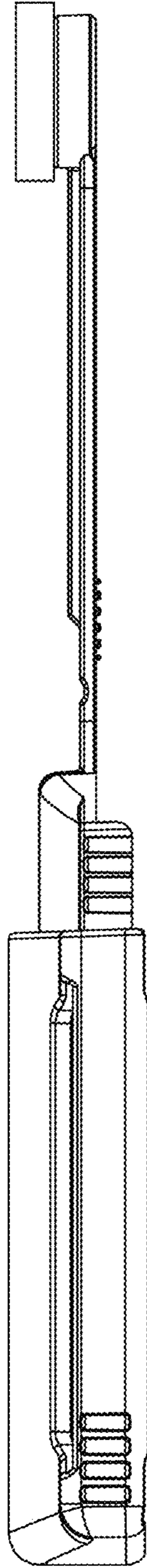


Fig 3



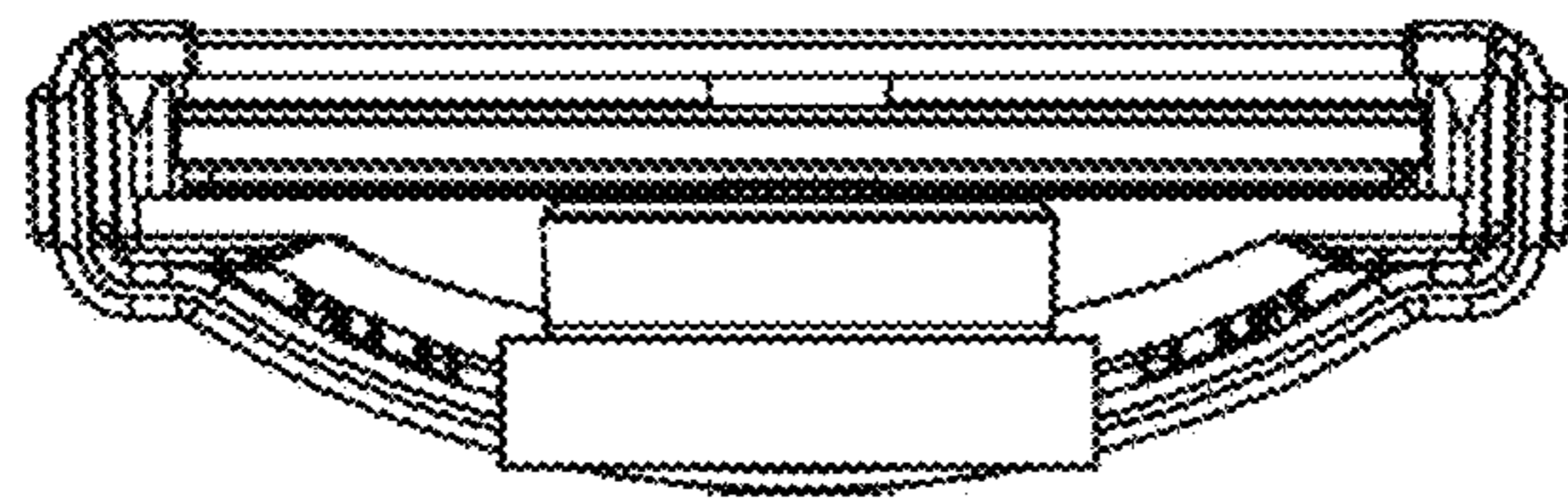


Fig 4

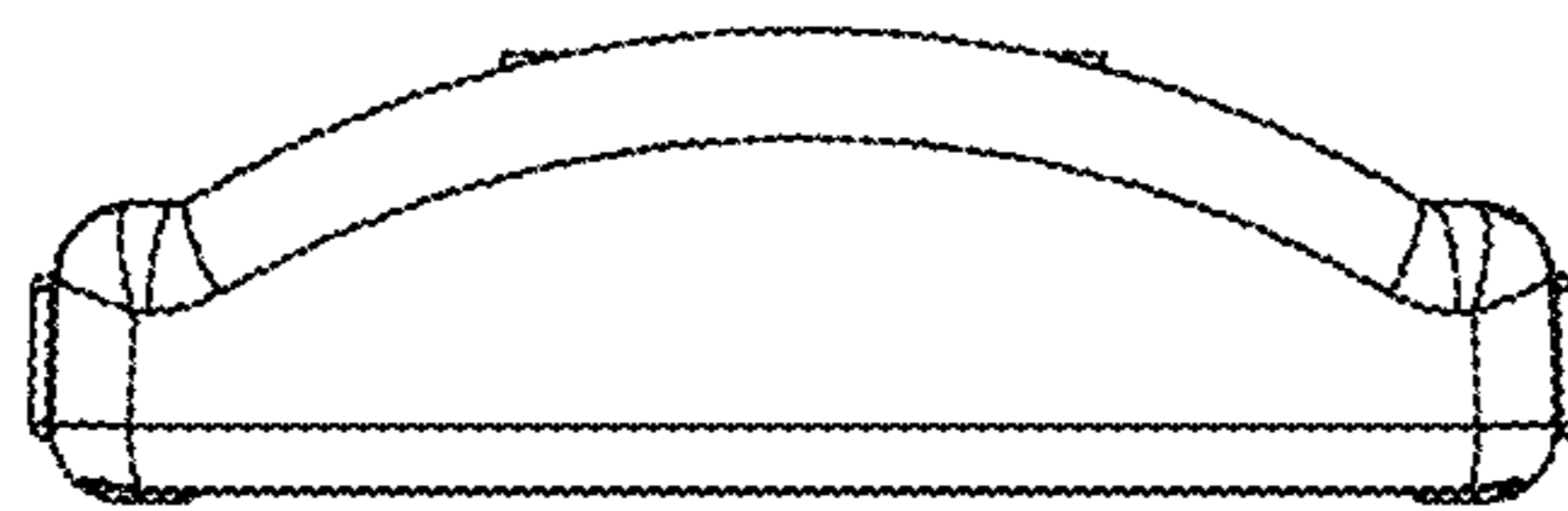
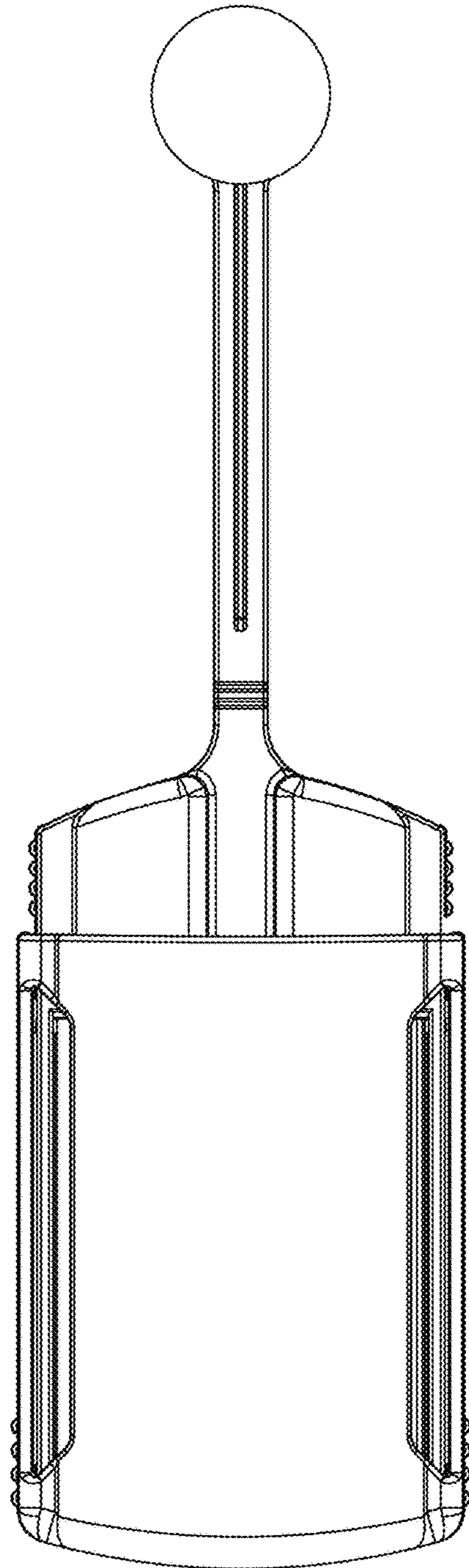


Fig 5

Fig 6



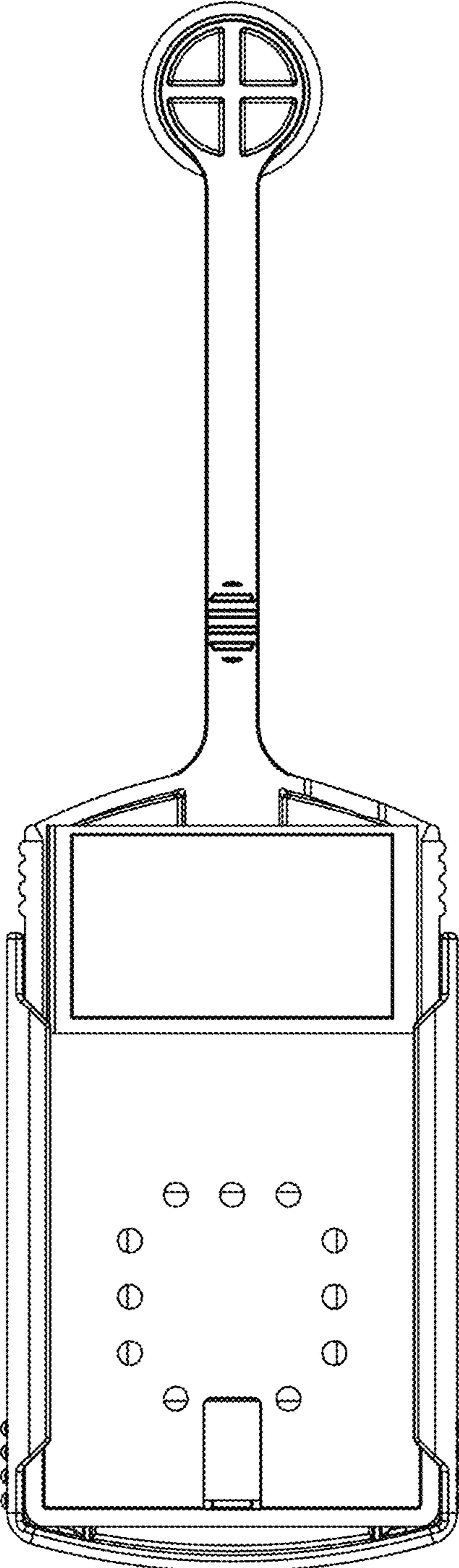


Fig 7