



US00D824530S

(12) **United States Design Patent**  
**Velschow et al.**

(10) **Patent No.:** **US D824,530 S**  
(45) **Date of Patent:** **\*\* Jul. 31, 2018**

- (54) **BLOOD COLLECTING DEVICE**
- (71) Applicant: **Fluisense ApS**, Allerød (DK)
- (72) Inventors: **Sten Velschow**, Allerød (DK); **Martin Toft Madsen**, København Ø (DK); **Fanny Hauterat**, København S (DK); **Alistair Morton**, Kastrup (DK); **Steffen Gym**, Ringsted (DK); **Michael Hansen**, Faaborg (DK); **Kalle Nordbo**, Roskilde (DK); **Henrik Jeppesen**, Holte (DK)
- (73) Assignee: **Fluisense ApS**, Allerød (DK)
- (\*\*) Term: **15 Years**
- (21) Appl. No.: **29/549,472**
- (22) Filed: **Dec. 22, 2015**
- (30) **Foreign Application Priority Data**  
Jul. 1, 2015 (EP) ..... 002729616
- (51) **LOC (11) Cl.** ..... **24-01**
- (52) **U.S. Cl.**  
USPC ..... **D24/216**; D24/169
- (58) **Field of Classification Search**  
USPC ..... D24/216, 223, 231, 232, 107, 169, 186;  
D10/46, 75, 81; D14/341, 388  
CPC ..... G01N 33/66; G01N 33/49; G01N 33/493;  
A61B 5/14532  
See application file for complete search history.

- (56) **References Cited**  
**U.S. PATENT DOCUMENTS**  
D431,867 S \* 10/2000 Maynard ..... D24/216  
D639,956 S \* 6/2011 Bain ..... D24/169  
D695,406 S \* 12/2013 Tsai ..... D24/169  
D699,853 S \* 2/2014 Confield ..... D24/169  
D707,826 S \* 6/2014 Young ..... D24/169

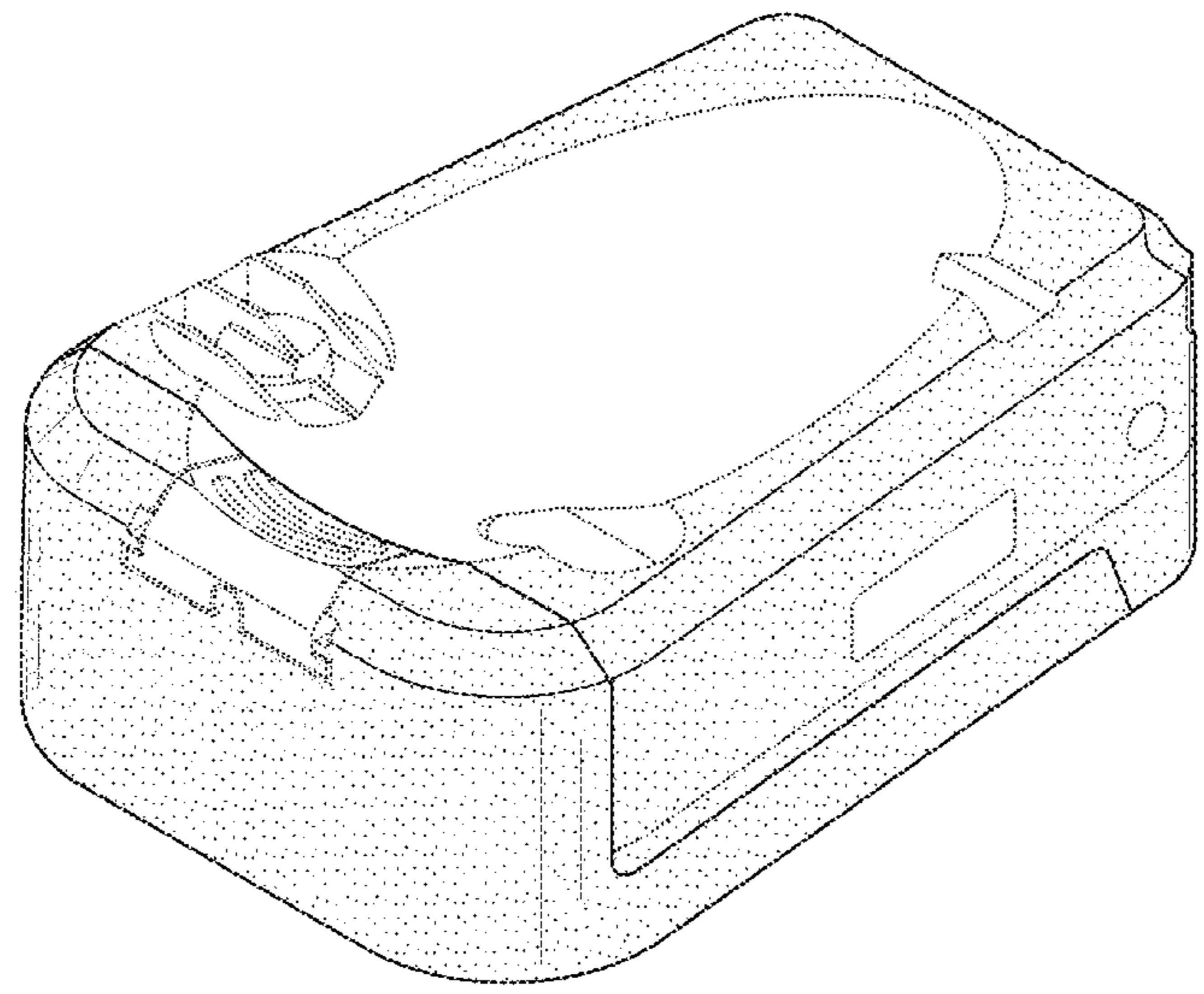
- D711,541 S \* 8/2014 Hafellner ..... D24/169
- D720,466 S \* 12/2014 Edding ..... D24/216
- D723,170 S \* 2/2015 Hsu ..... A61B 5/14532  
D24/169
- 2009/0218243 A1 \* 9/2009 Gym ..... A61M 5/158  
206/365
- 2010/0105996 A1 \* 4/2010 Segman ..... A61B 5/0205  
600/322
- 2011/0046456 A1 \* 2/2011 Hordum ..... A61M 5/14248  
600/309
- 2011/0256024 A1 \* 10/2011 Cole ..... A61B 5/0022  
422/68.1
- 2016/0202205 A1 \* 7/2016 Prais ..... A61B 5/14532  
204/406

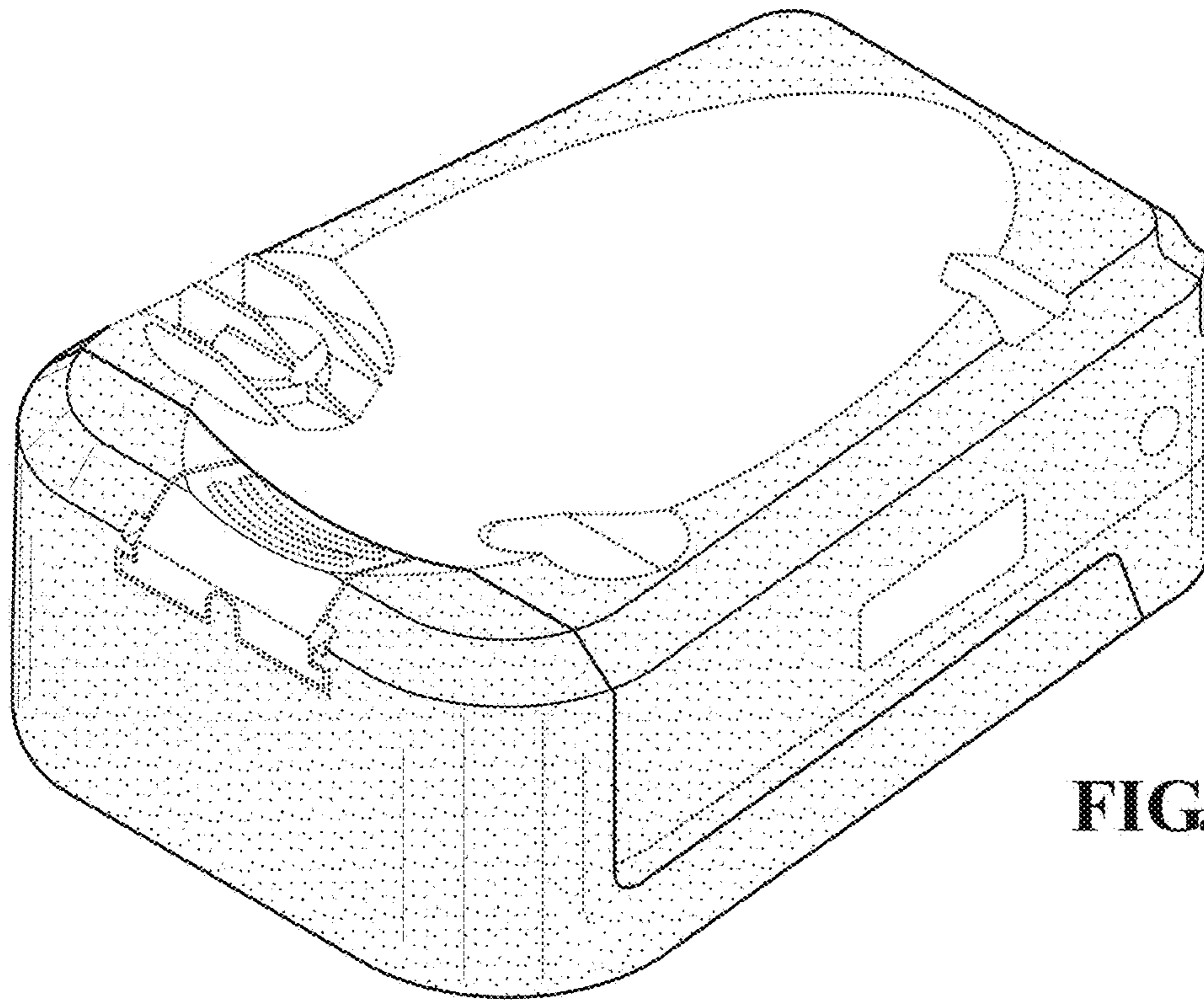
\* cited by examiner  
*Primary Examiner* — Anhdao Doan  
(74) *Attorney, Agent, or Firm* — Dinsmore & Shohl LLP

(57) **CLAIM**  
The ornamental design for a blood collecting device, as shown and described.

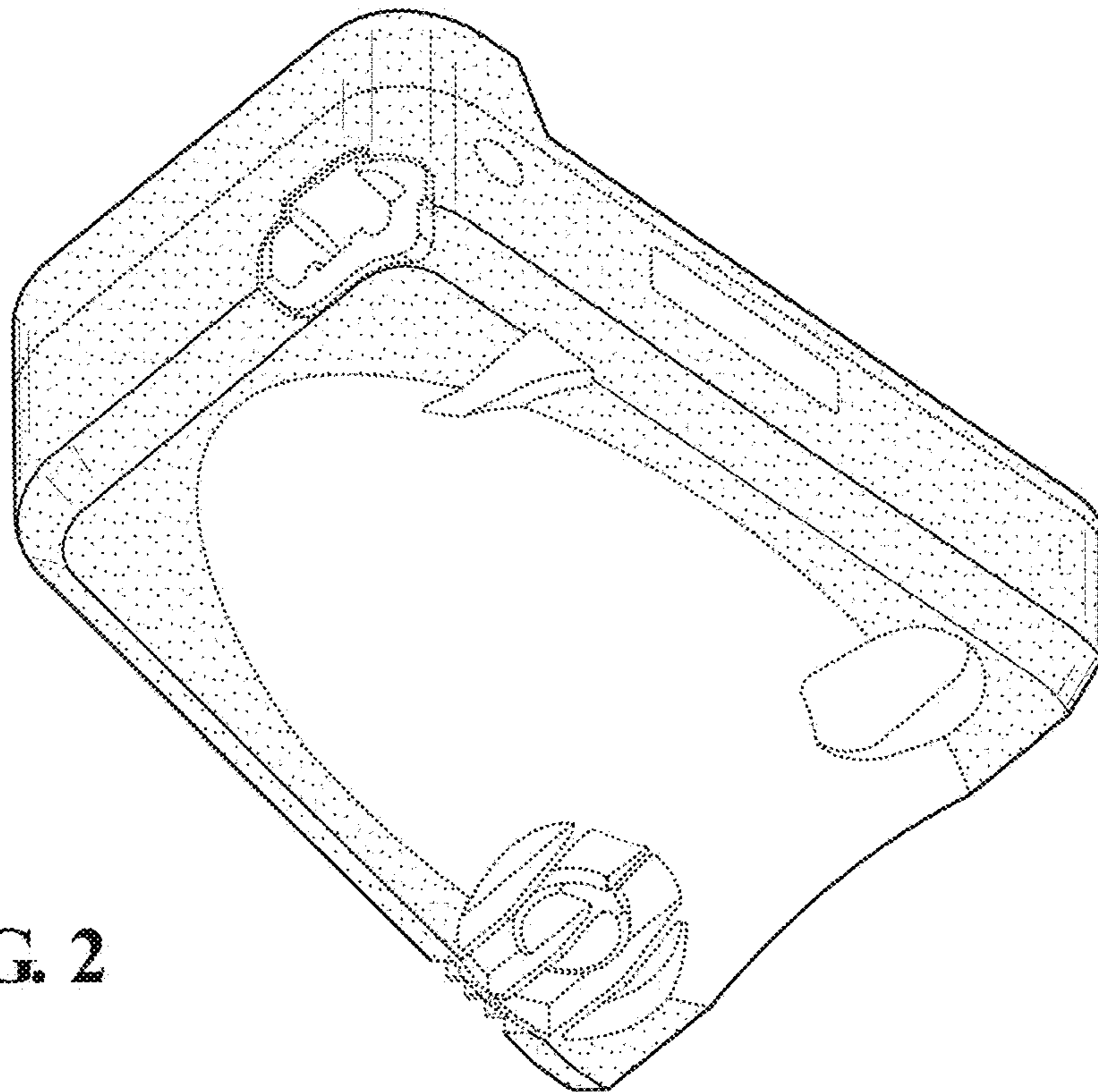
**DESCRIPTION**  
FIG. 1 is a bottom perspective view showing component 1 and component 2 in combination;  
FIG. 2 is a bottom perspective view showing component 1;  
FIG. 3 is a top perspective view showing component 1;  
FIG. 4 is a top perspective view showing component 1;  
FIG. 5 is a bottom perspective view showing component 2;  
FIG. 6 is a top perspective view showing component 1 and component 2 in combination; and,  
FIG. 7 is a top perspective view showing component 2.  
The broken lines immediately adjacent the shaded areas represent the bounds of the claim, while all other broken lines are directed to environment and are for illustrative purposes only; the broken lines form no part of the claimed design.

**1 Claim, 4 Drawing Sheets**

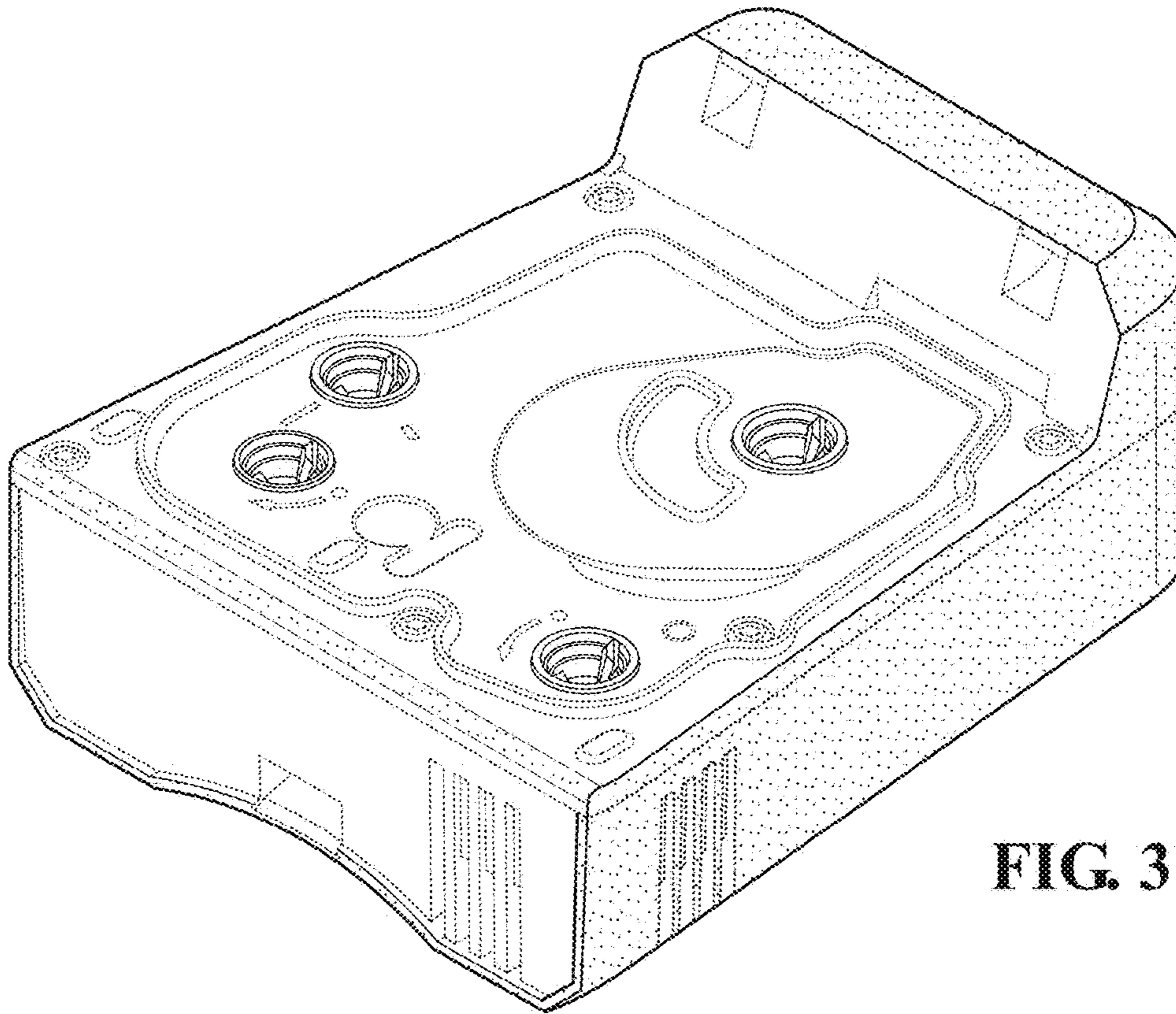




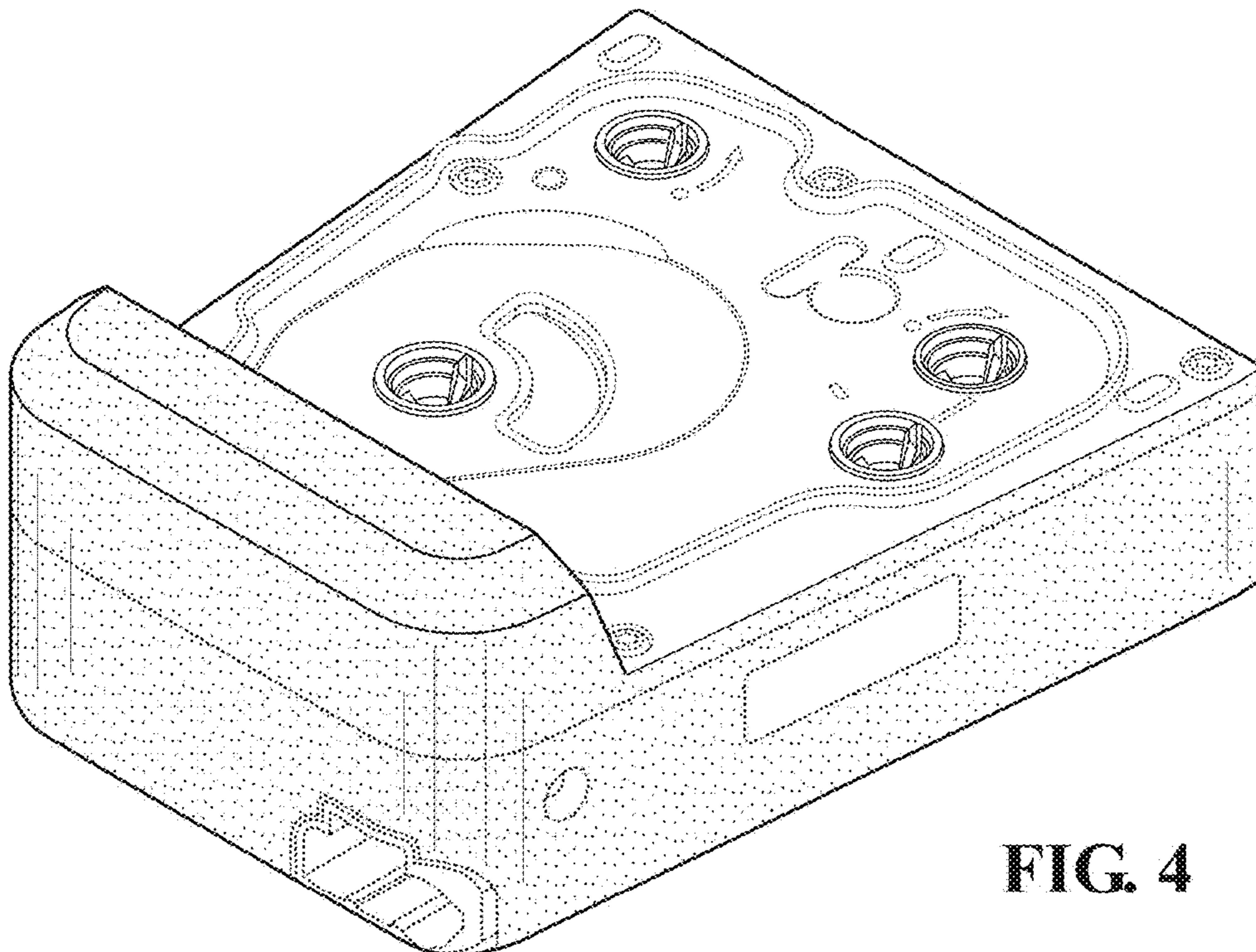
**FIG. 1**



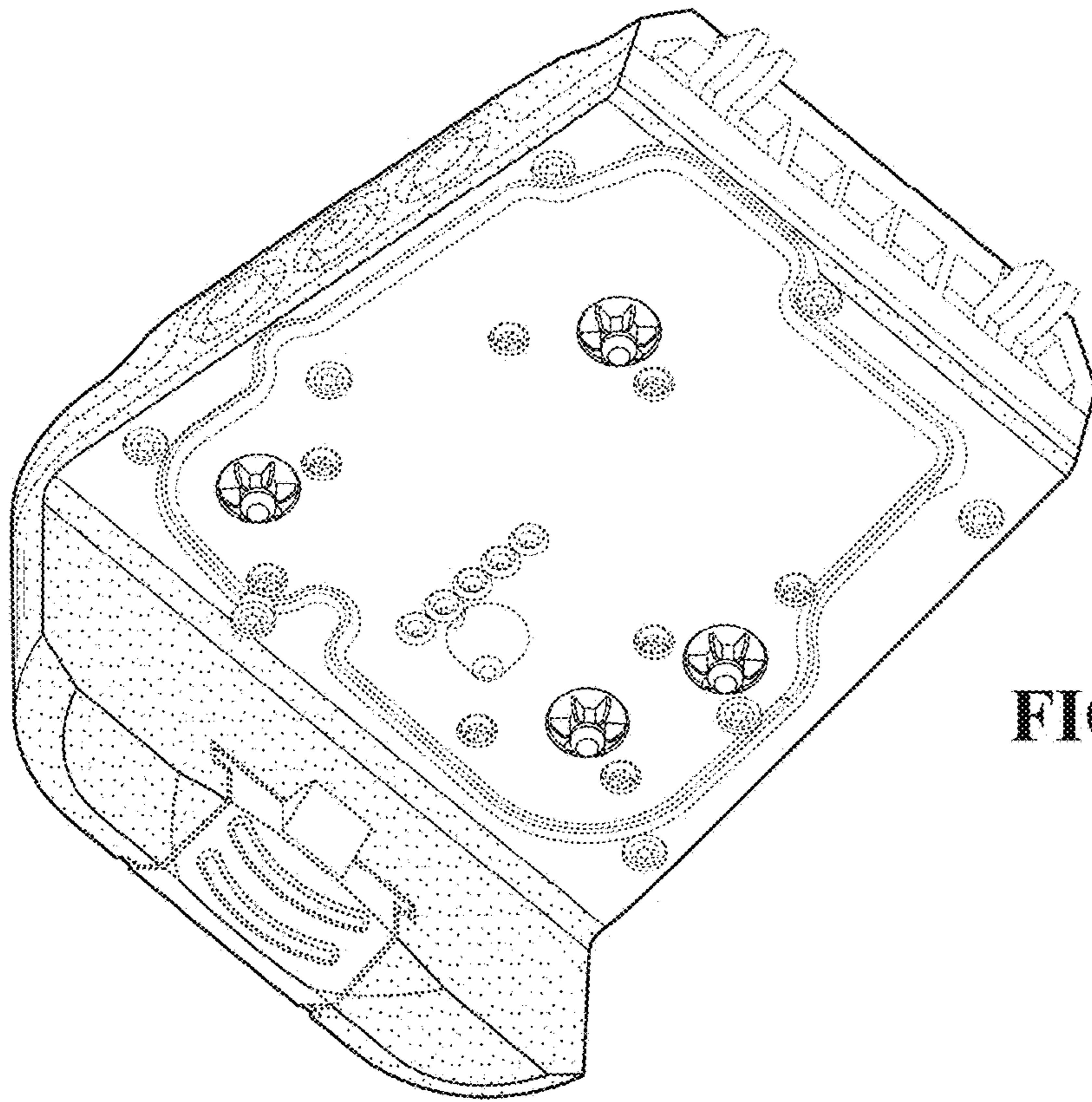
**FIG. 2**



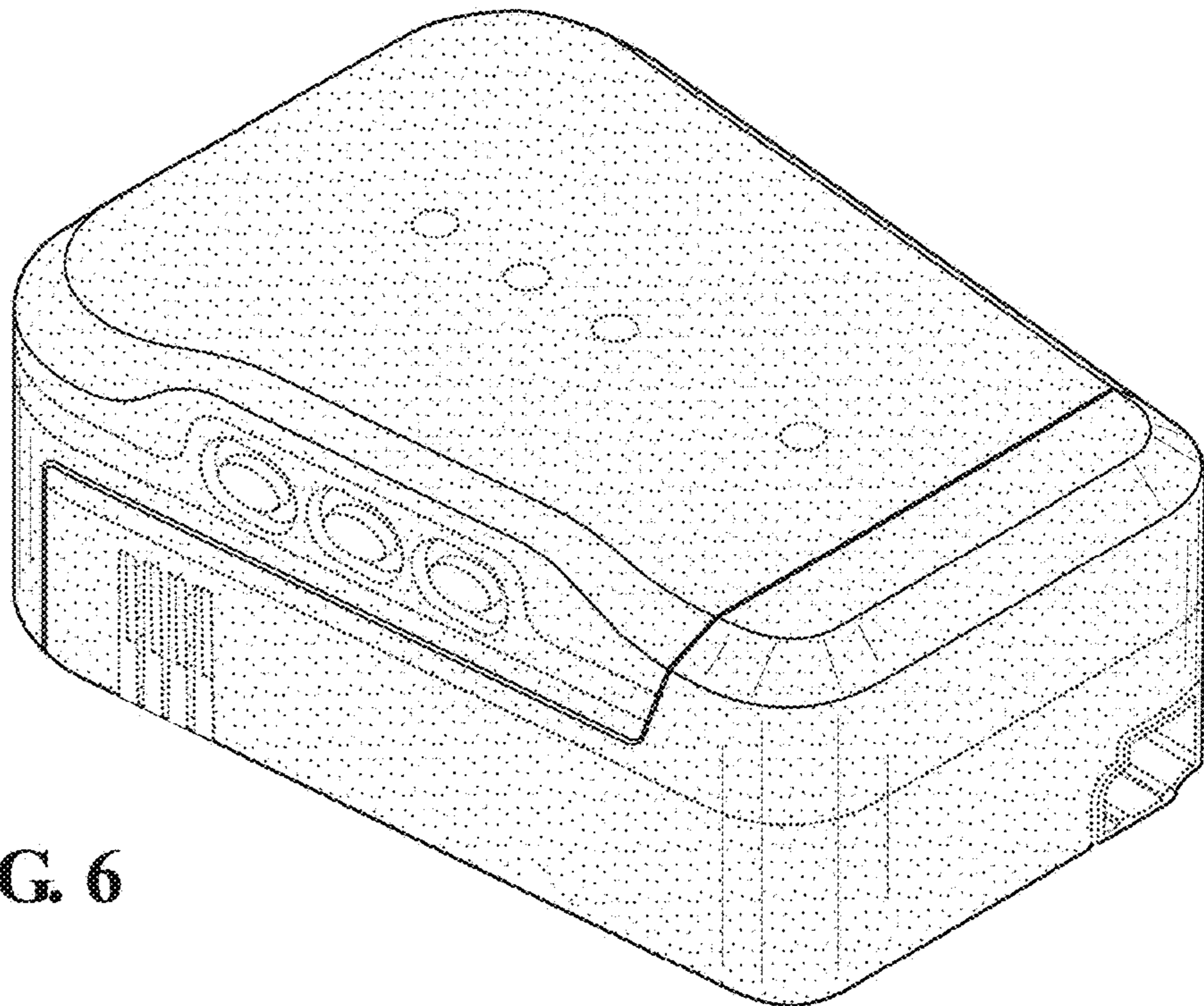
**FIG. 3**



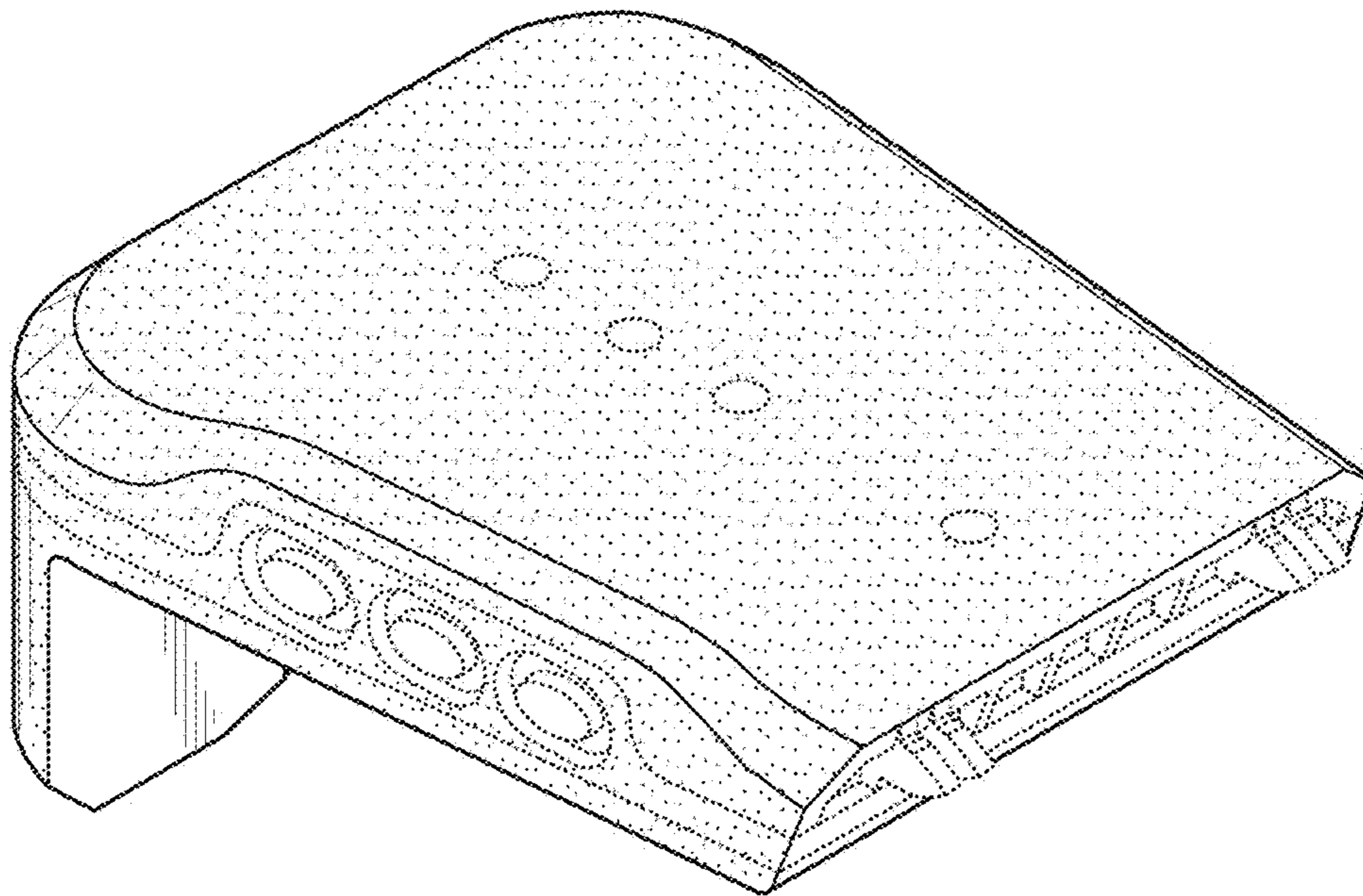
**FIG. 4**



**FIG. 5**



**FIG. 6**



**FIG. 7**