



US00D824529S

(12) **United States Design Patent** (10) **Patent No.:** **US D824,529 S**
Tenenbaum et al. (45) **Date of Patent:** **** Jul. 31, 2018**

(54) **RECHARGEABLE PERSONAL HOME-USE SKIN TREATMENT DEVICE WITH CHARGING CRADLE**

Primary Examiner — Sandra Snapp
 (74) *Attorney, Agent, or Firm* — Pearl Cohen Zedek Latzer Baratz LLP

(71) Applicant: **EndyMed Medical Ltd.**, Caesarea (IL)

(57) **CLAIM**

The ornamental design for a rechargeable personal home-use skin treatment device with charging cradle, as shown and described.

(72) Inventors: **Noam Tenenbaum**, Kadima (IL); **Izaq Hazan**, Rishon Lezion (IL); **Yael Zemach**, Modiin (IL); **Roe Bigger**, Moshav Bat Shlomo (IL)

DESCRIPTION

(73) Assignee: **EndyMed Medical Ltd.**, Caesarea (IL)

FIG. 1 is a top, front, right side perspective view of a rechargeable personal home-use skin treatment device with charging cradle comprised of a treatment device with cover and a cradle, this figure showing the treatment device with cover on in the cradle;

(**) Term: **15 Years**

(21) Appl. No.: **29/556,649**

FIG. 2 is a front elevational view thereof

(22) Filed: **Mar. 2, 2016**

FIG. 3 is a back elevational view thereof;

(30) **Foreign Application Priority Data**

Sep. 16, 2015 (IL) 57403

FIG. 4 is a left side elevational view thereof;

(51) **LOC (11) Cl.** **28-03**

FIG. 5 is a right side elevational view thereof;

(52) **U.S. Cl.**
USPC **D24/214**

FIG. 6 is a top plan view thereof;

(58) **Field of Classification Search**
USPC D24/200, 211, 212, 213, 214, 215;
601/19, 27–32, 46–48, 52, 99, 112–113,
(Continued)

FIG. 7 is a bottom plan view thereof;

FIG. 8 is a top, front, right side perspective view of the rechargeable personal home-use skin treatment device with charging cradle showing the cradle removed for ease of illustration;

(56) **References Cited**

U.S. PATENT DOCUMENTS

D192,107 S * 1/1962 Silber D24/215
 D319,105 S * 8/1991 Cheng D24/215
 (Continued)

FIG. 9 is a front elevational view thereof

FIG. 10 is a back elevational view thereof;

FIG. 11 is a left side elevational view thereof;

FIG. 12 is a right side elevational view thereof;

FIG. 13 is a top plan view thereof;

FIG. 14 is a bottom plan view thereof;

FIG. 15 is a top, front, right side perspective view of the rechargeable personal home-use skin treatment device with charging cradle showing the treatment device with cover on, removed for ease of illustration;

FIG. 16 is a front elevational view thereof

FIG. 17 is a back elevational view thereof;

FIG. 18 is a left side elevational view thereof;

FIG. 19 is a right side elevational view thereof;

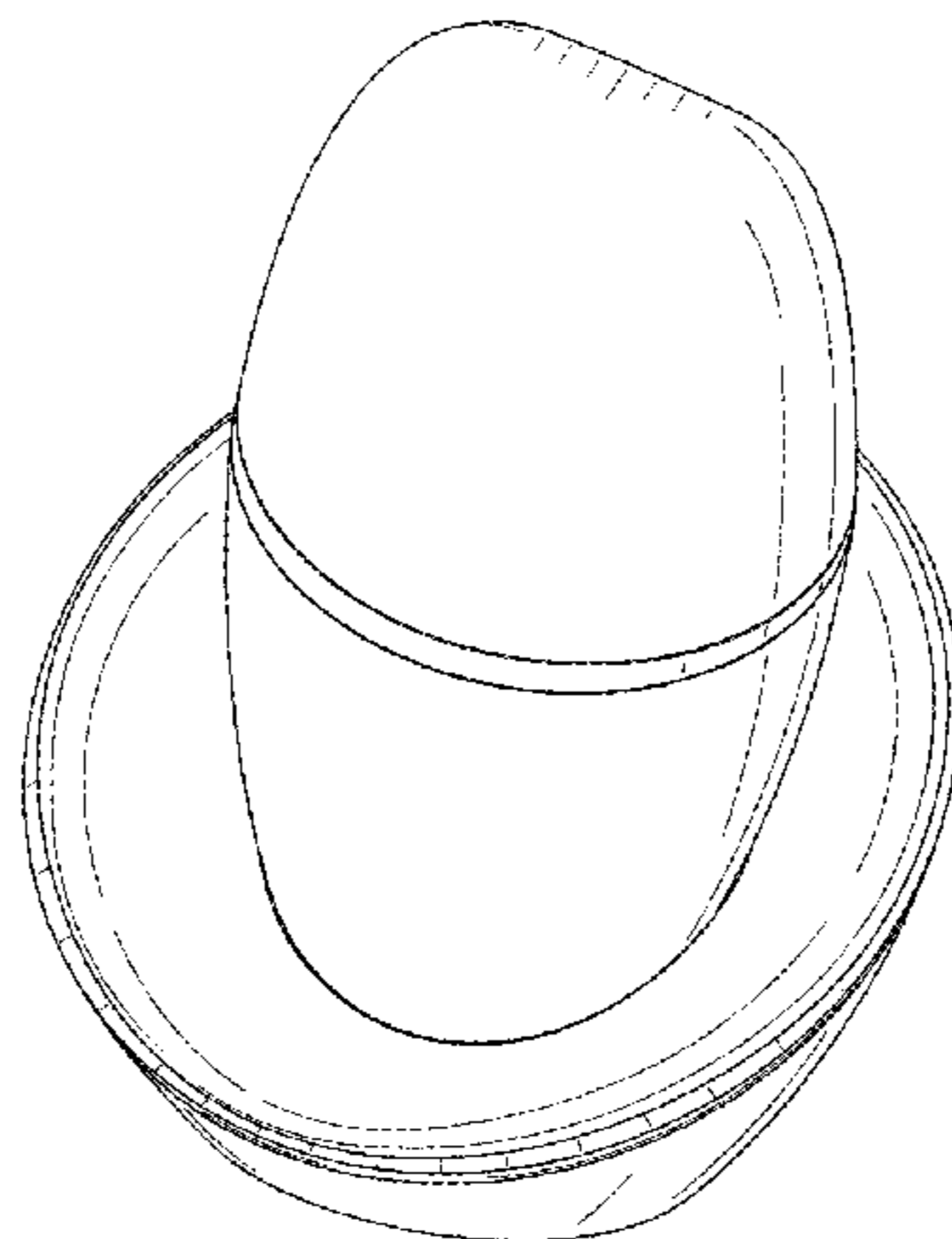
FIG. 20 is a top plan view thereof;

FIG. 21 is a bottom plan view thereof;

FIG. 22 is a top, front, right side perspective view of the rechargeable personal home-use skin treatment device with

(Continued)

Notice of Allowance for Japanese Design Application No. 2006-000294, dated May 17, 2016.



charging cradle showing the treatment device with cover off, removed for ease of illustration;
FIG. 23 is a front elevational view thereof
FIG. 24 is a back elevational view thereof;
FIG. 25 is a left side elevational view thereof;
FIG. 26 is a right side elevational view thereof;
FIG. 27 is a top plan view thereof; and,
FIG. 28 is a bottom plan view thereof.
The broken lines in the drawings illustrate a claim boundary and form no part of the claimed design.

1 Claim, 16 Drawing Sheets

(58) **Field of Classification Search**

USPC 601/118, 135, 137, DIG. 12, DIG. 14,
601/DIG. 15, DIG. 16, DIG. 17;
D30/160; D11/26, 28, 29
CPC A61H 19/00; A61H 19/30; A61H 19/32;
A61H 19/34; A61H 19/40; A61H 19/44;
A61H 19/50; A61H 2015/0007; A61H

2015/0014; A61H 2015/0042; A61H
15/00; A61H 7/003; A61H 7/005

See application file for complete search history.

(56)

References Cited

U.S. PATENT DOCUMENTS

D517,218	S	*	3/2006	Kalen	D24/215
D571,926	S	*	6/2008	Wu	D24/215
D626,656	S	*	11/2010	Jarry	D24/215
D664,665	S	*	7/2012	Wahng	D24/214
D674,108	S	*	1/2013	York	D24/215
D687,560	S	*	8/2013	Matsuura	D24/215
D698,455	S	*	1/2014	Sedic	A61H 23/004 D24/215
9,215,919	B2	*	12/2015	Apodaca	A45D 34/041
D764,172	S	*	8/2016	Pan	D4/100
D765,873	S	*	9/2016	Hetzel	D24/214
D773,064	S	*	11/2016	Sedic	D24/214
D811,097	S	*	2/2018	Supple	D4/138

* cited by examiner

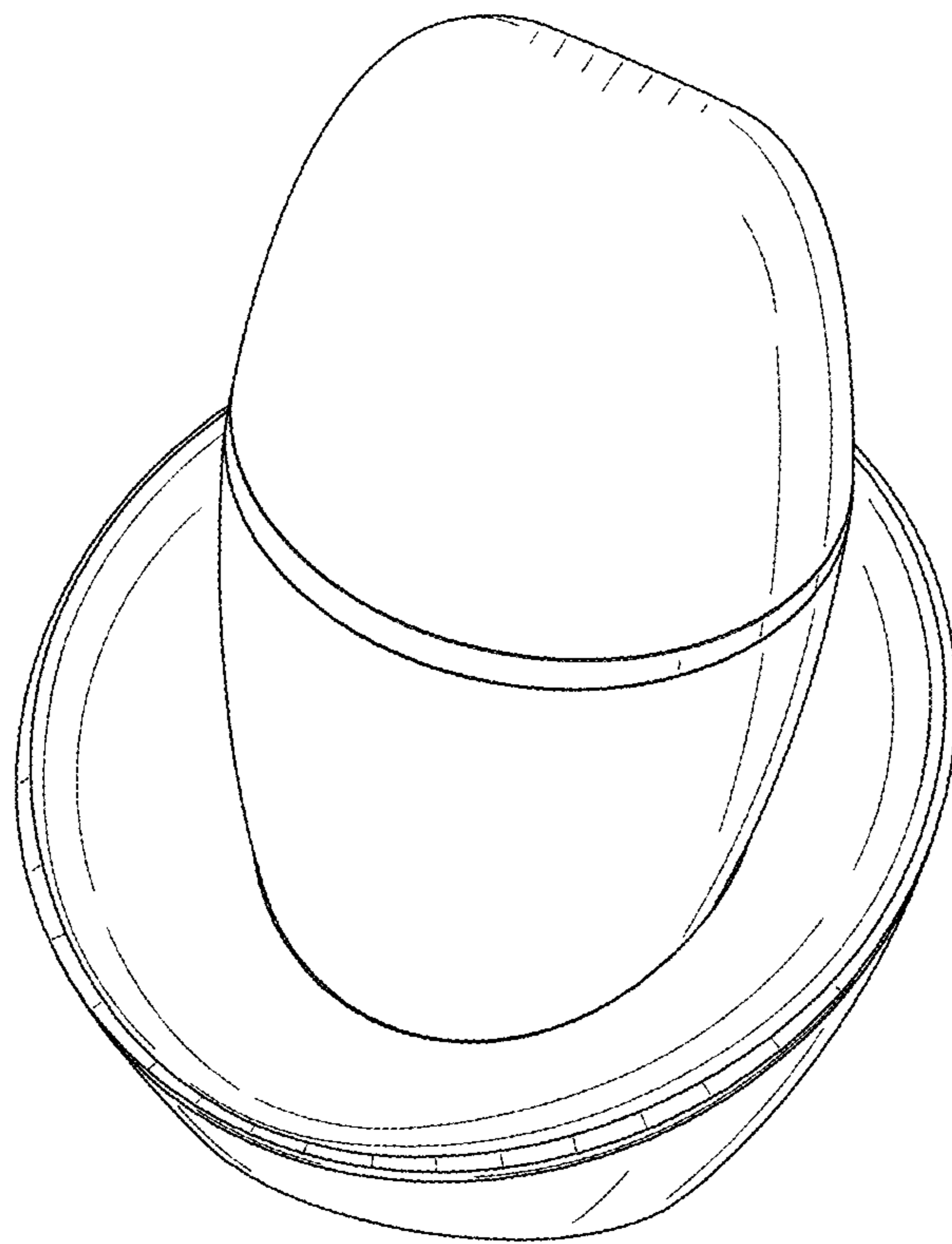


FIG.1

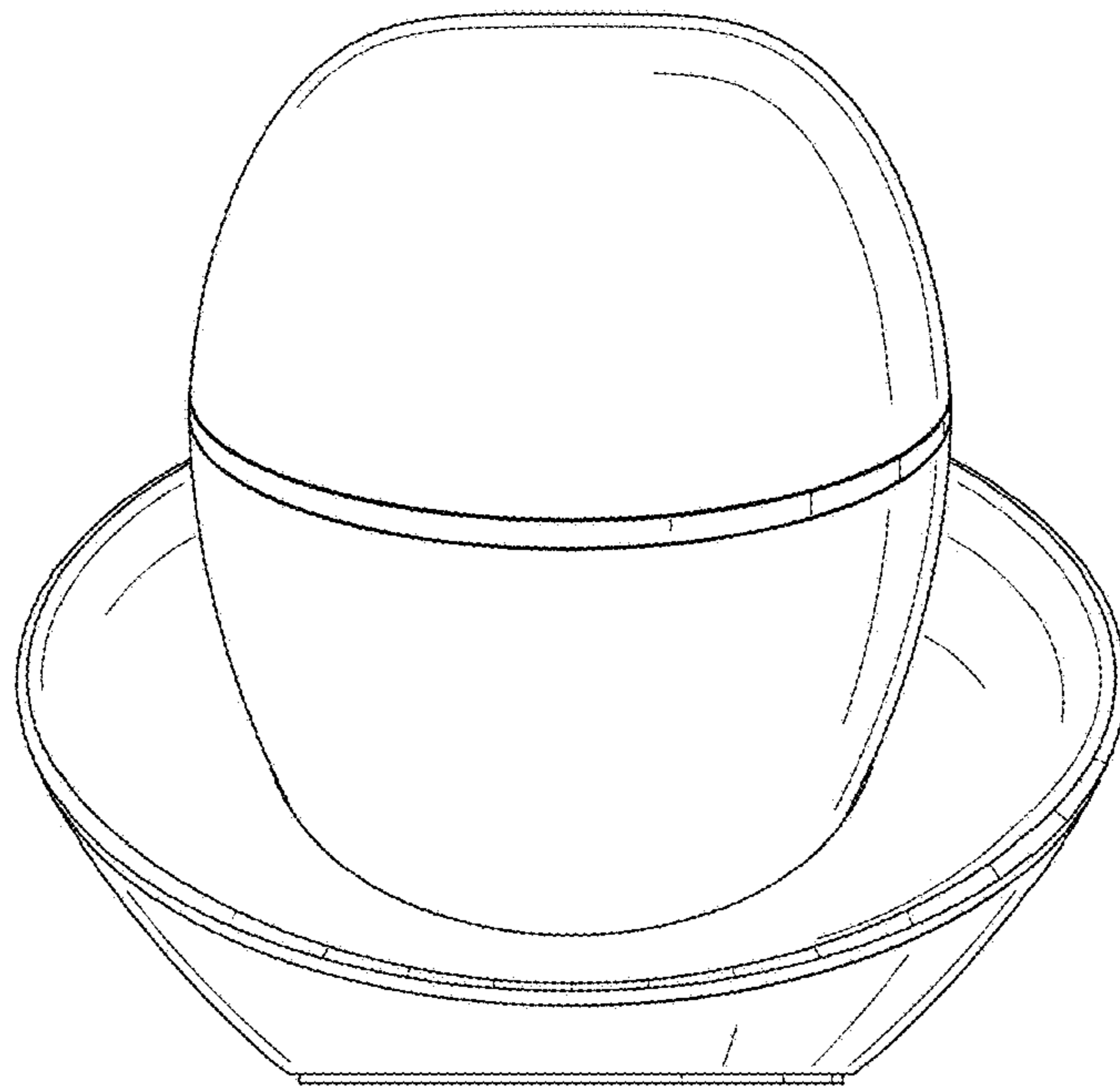


FIG. 2

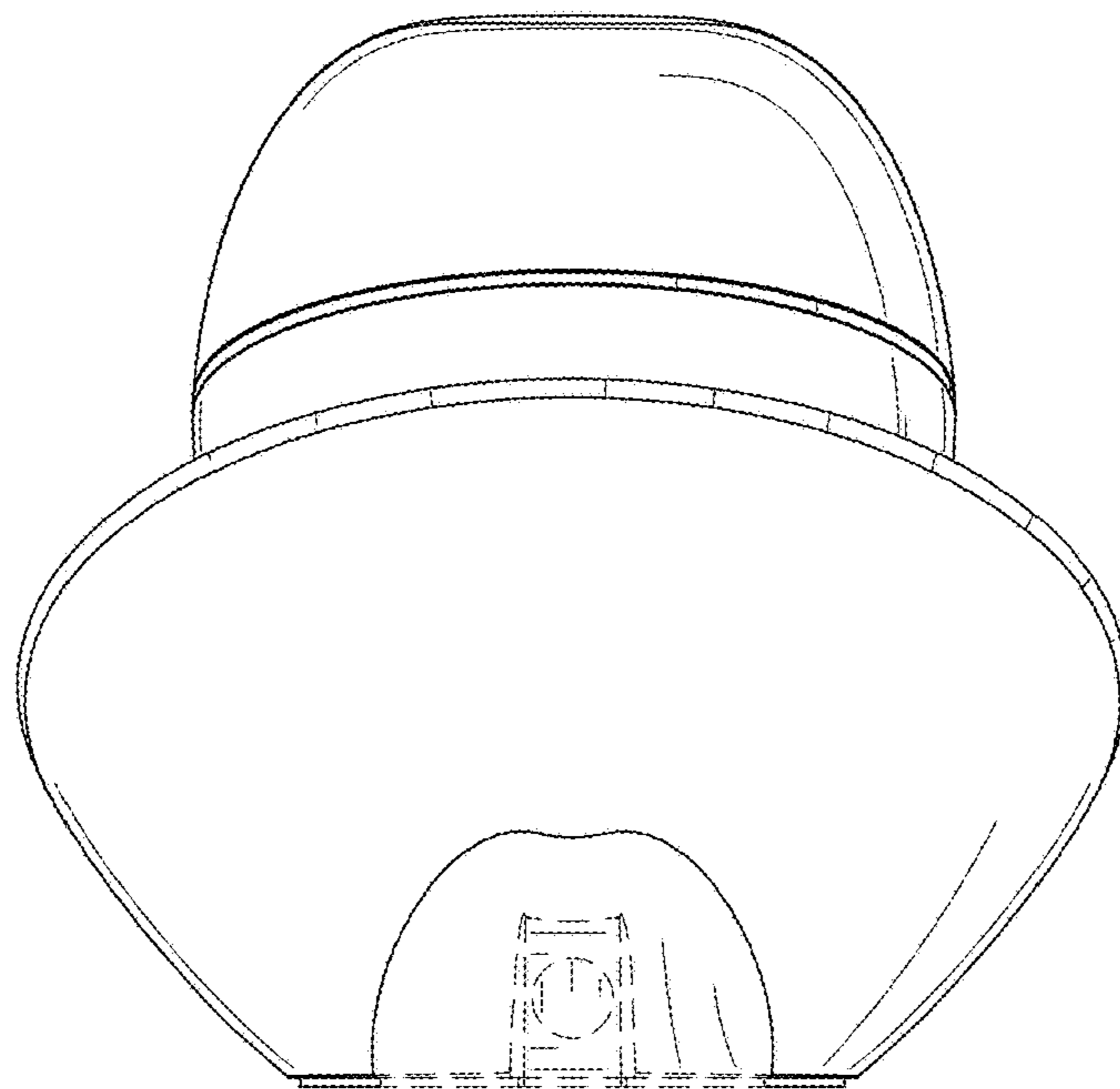


FIG. 3

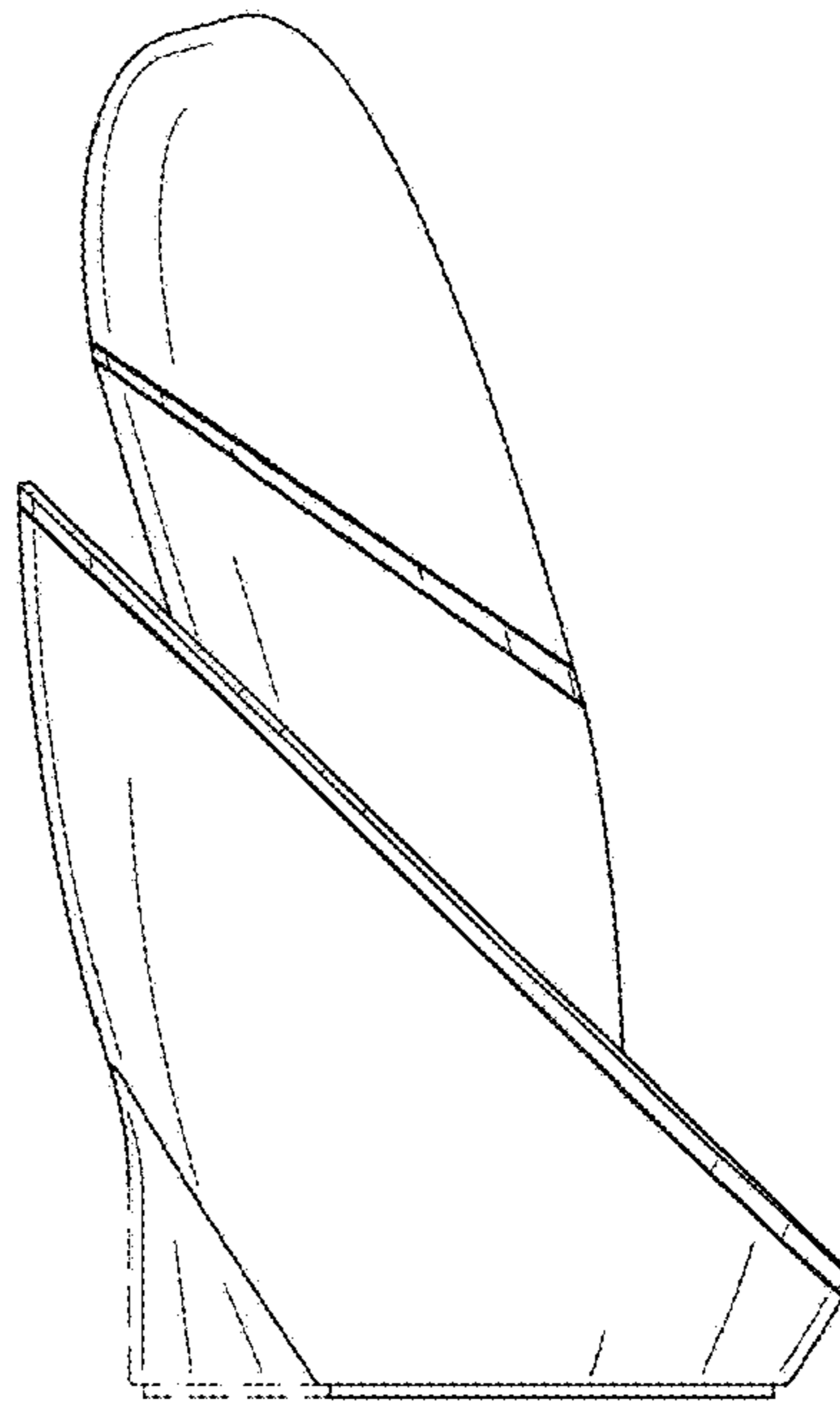


FIG. 4

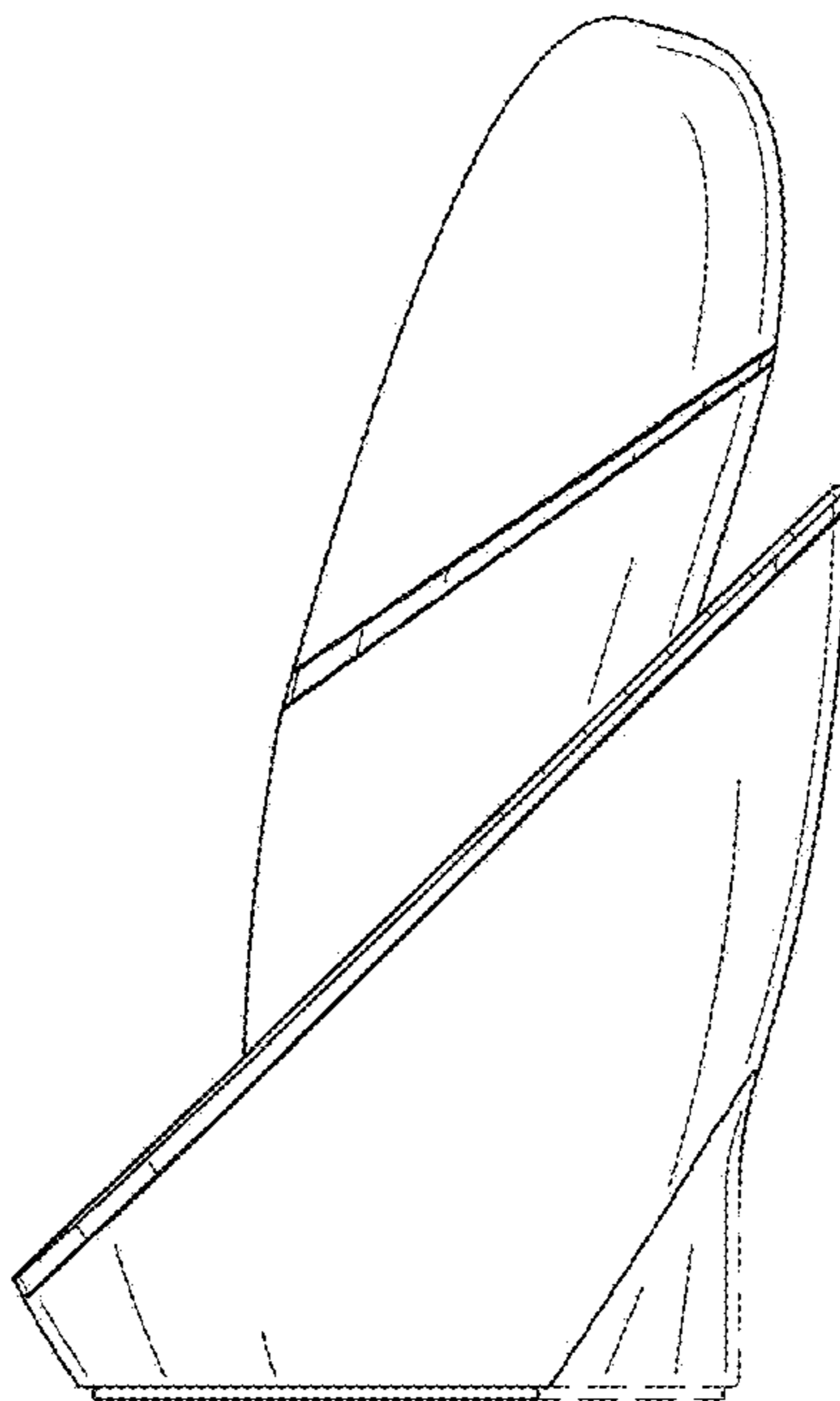


FIG. 5

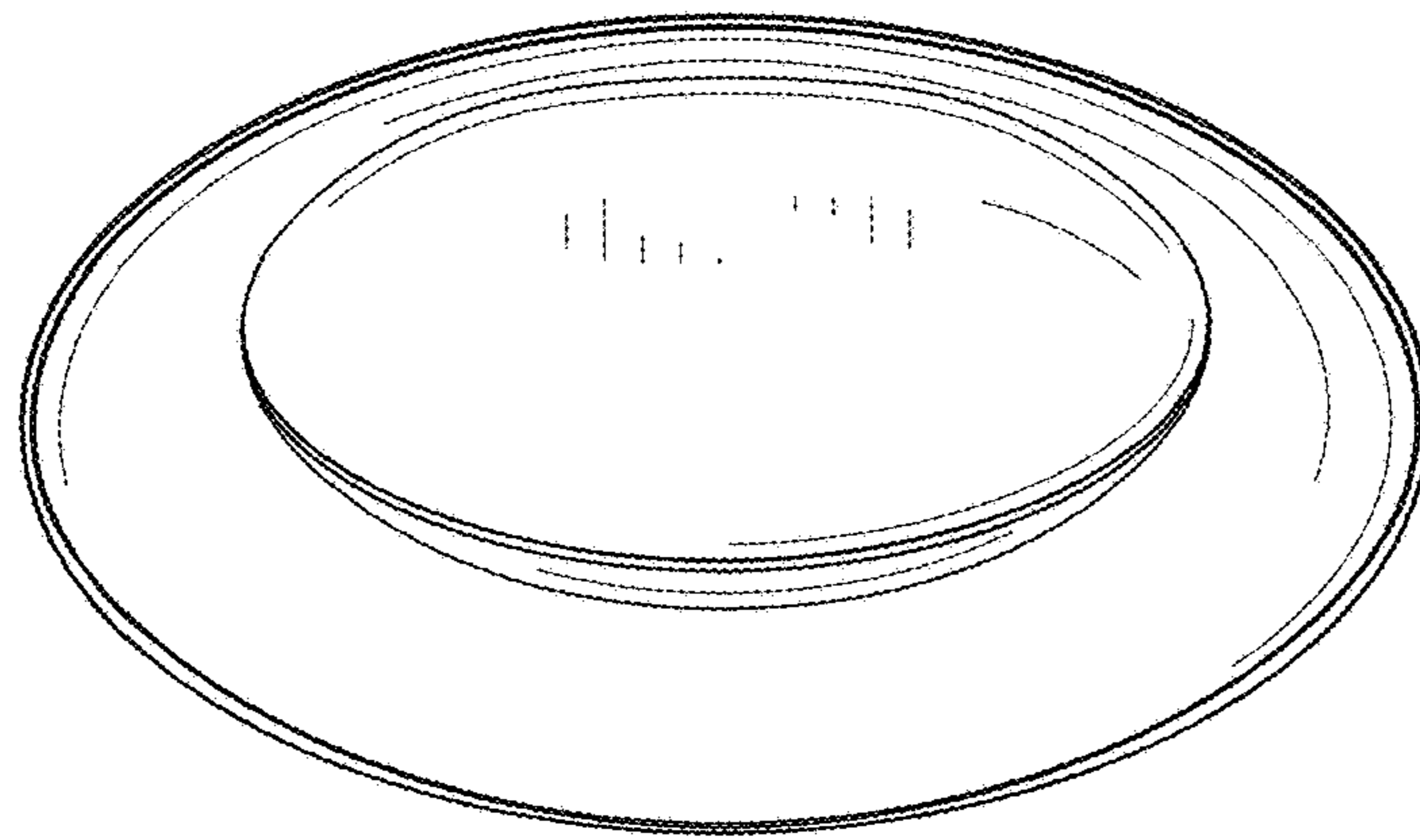


FIG. 6

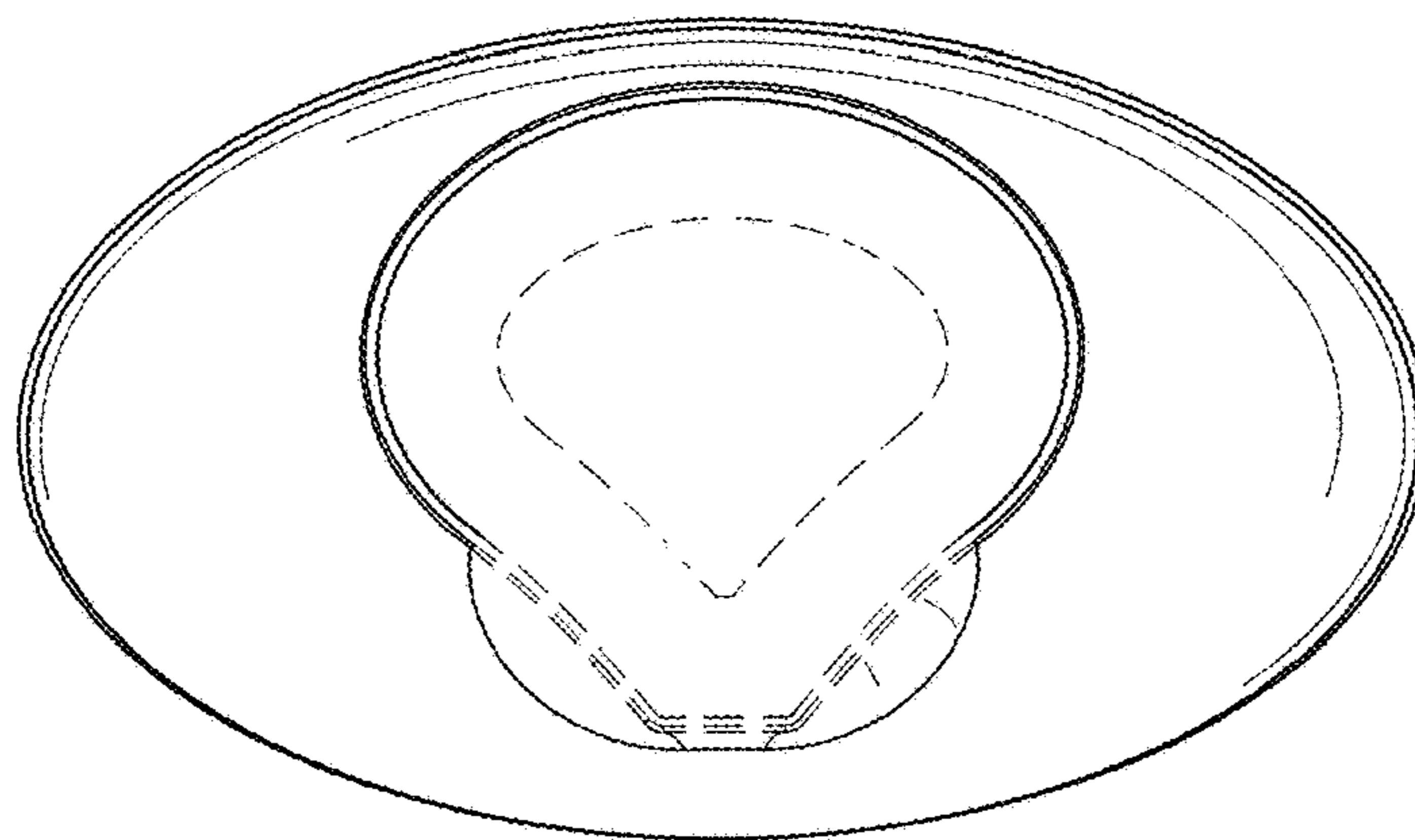


FIG. 7

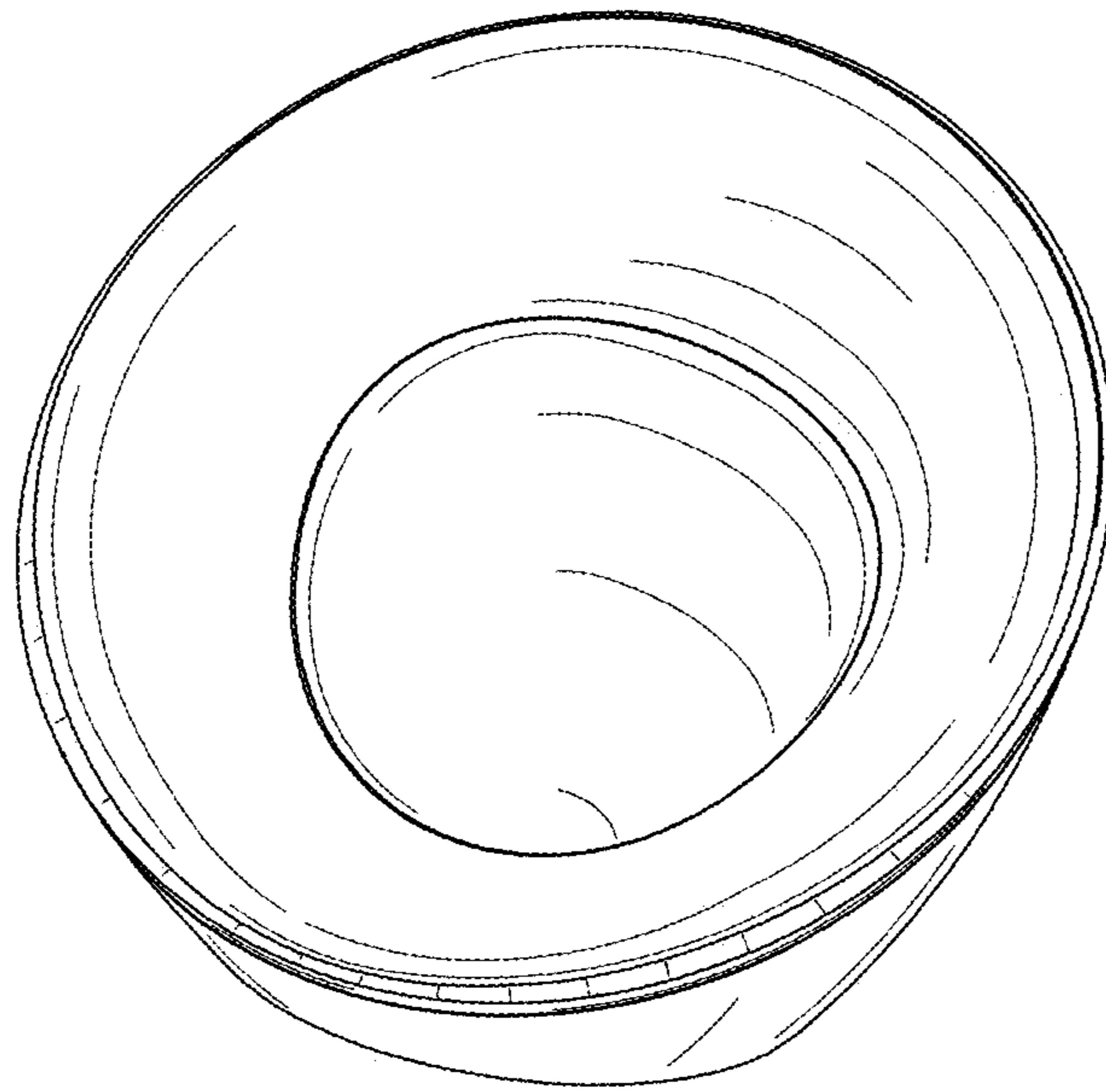


FIG.8

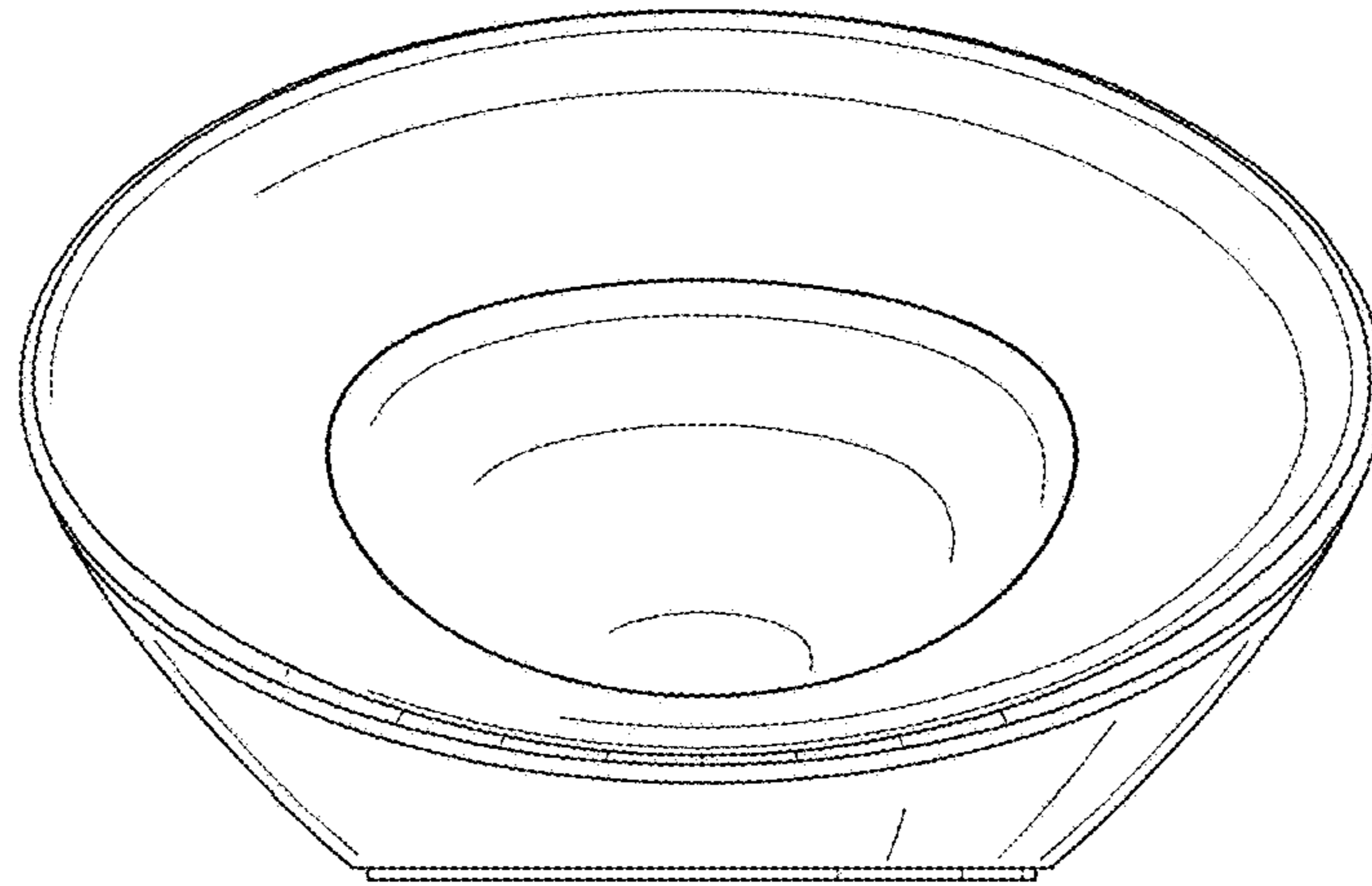


FIG. 9

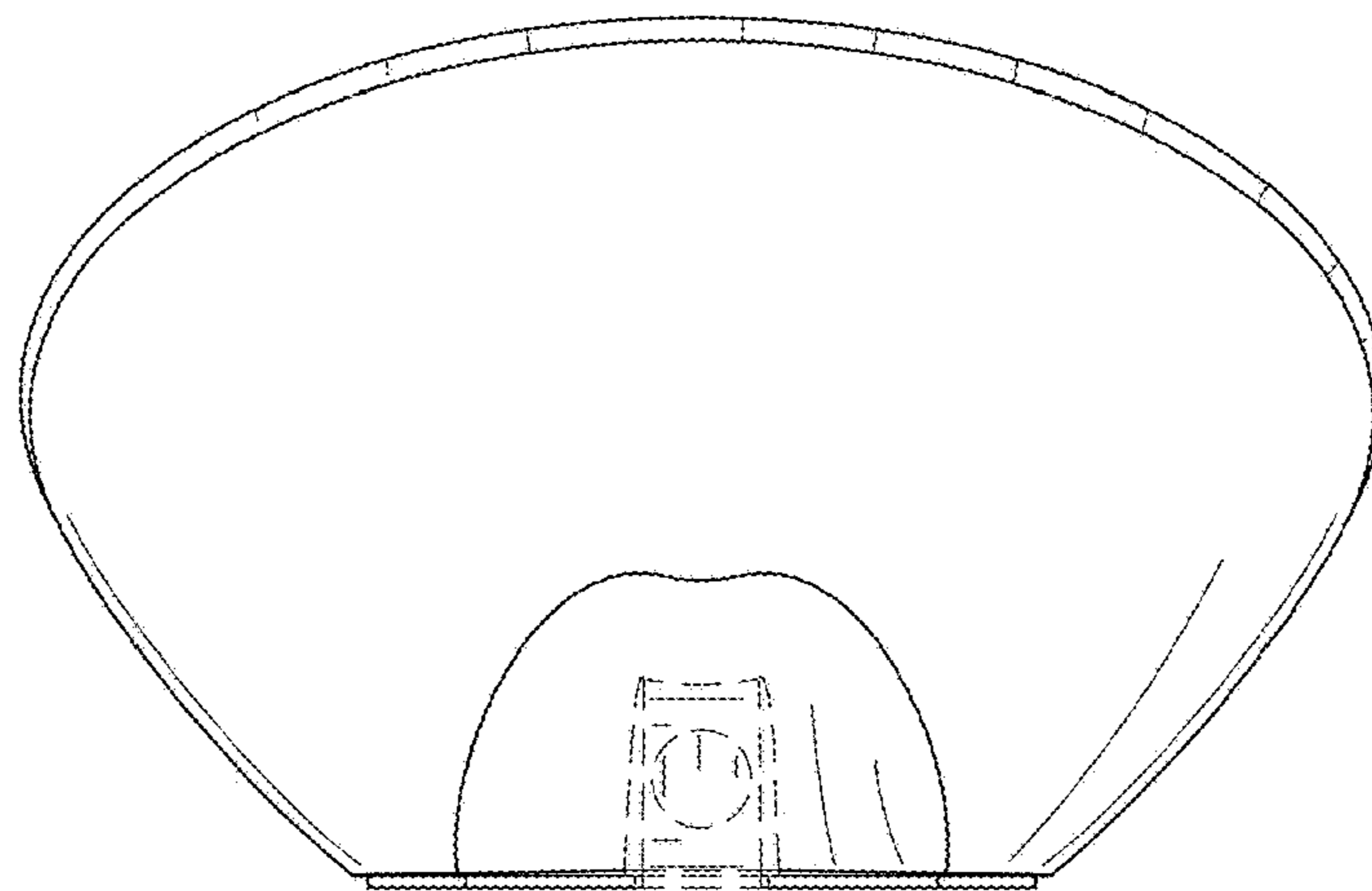


FIG. 10

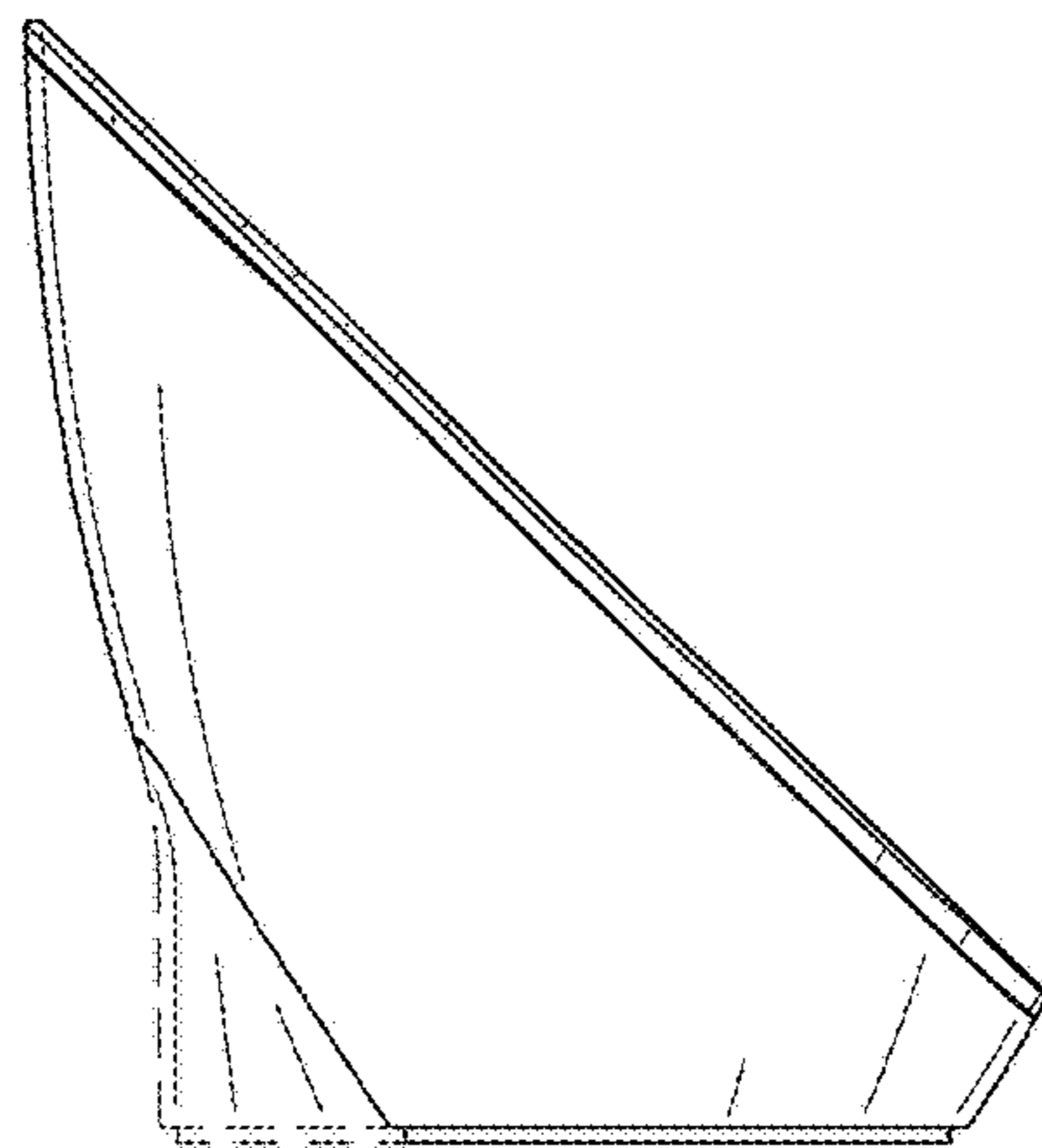


FIG.11

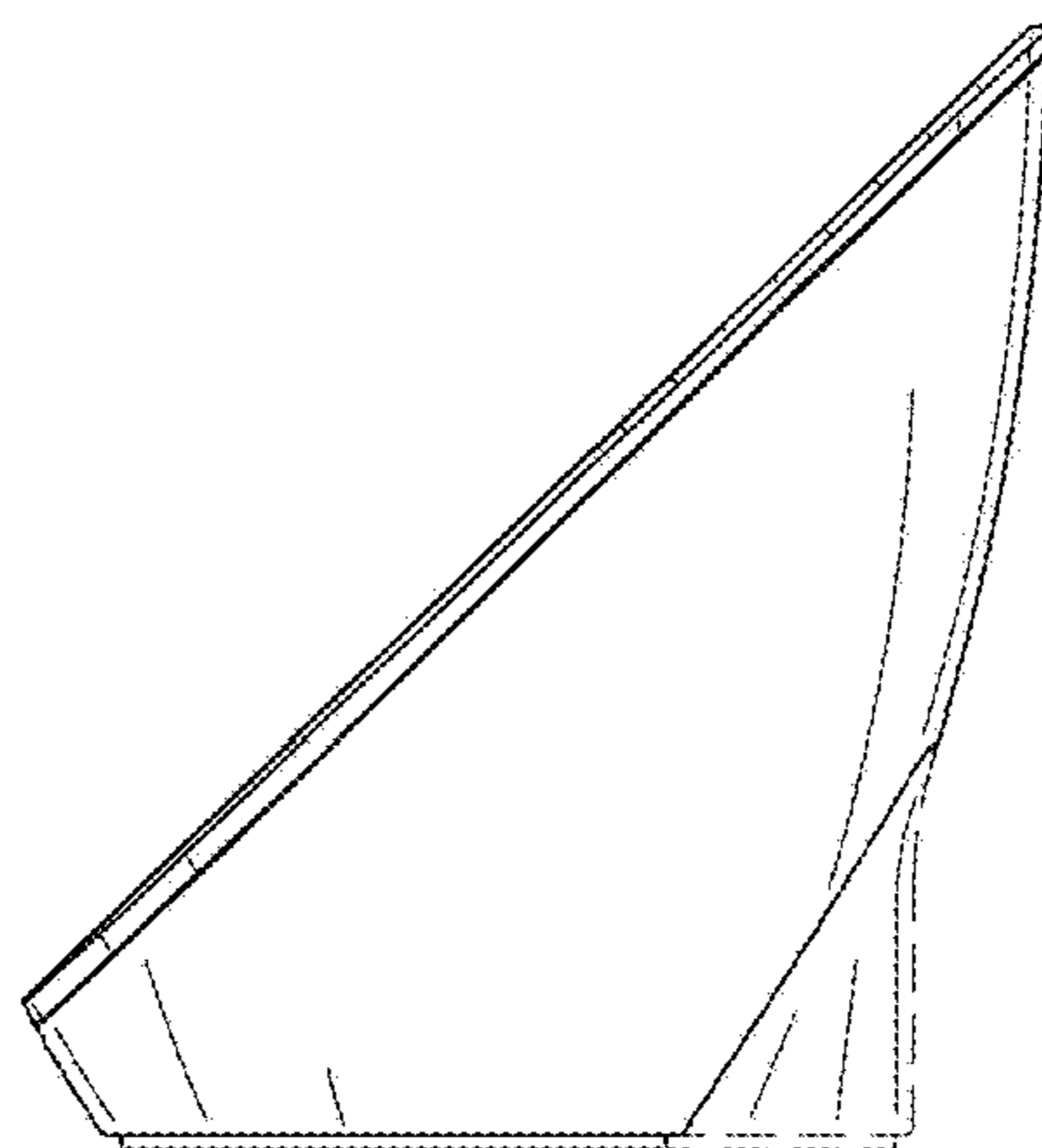


FIG.12

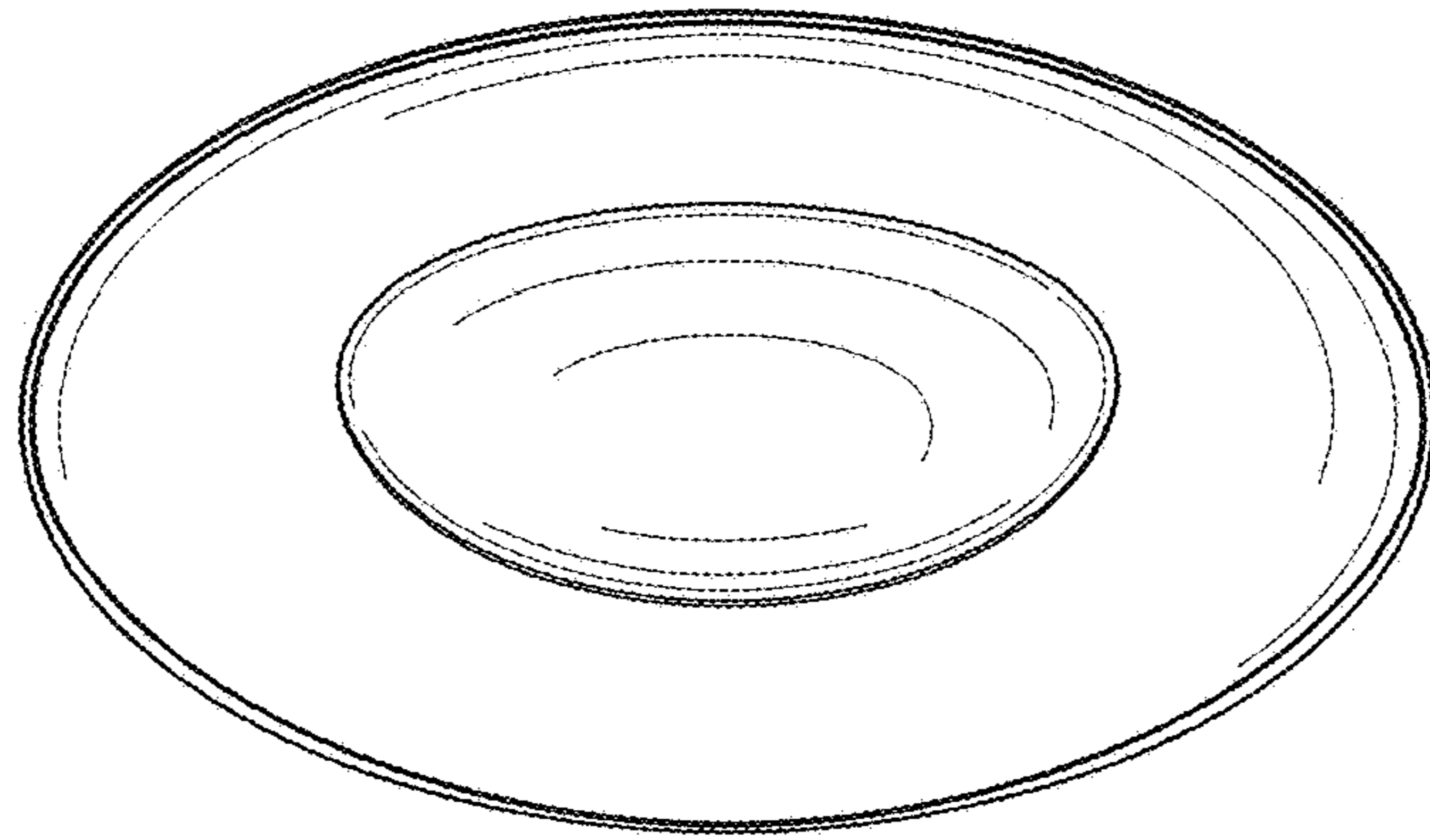


FIG.13

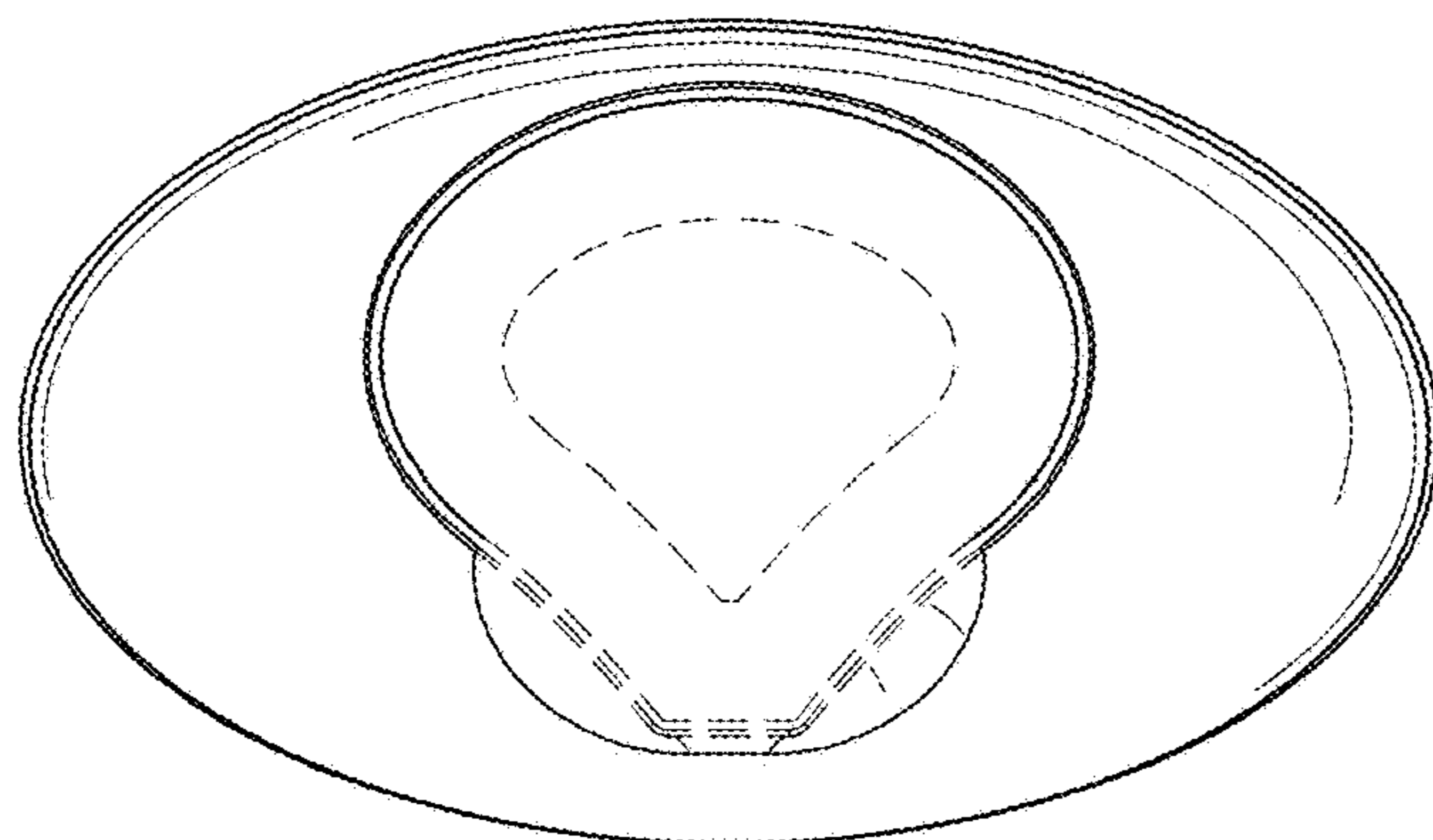


FIG.14

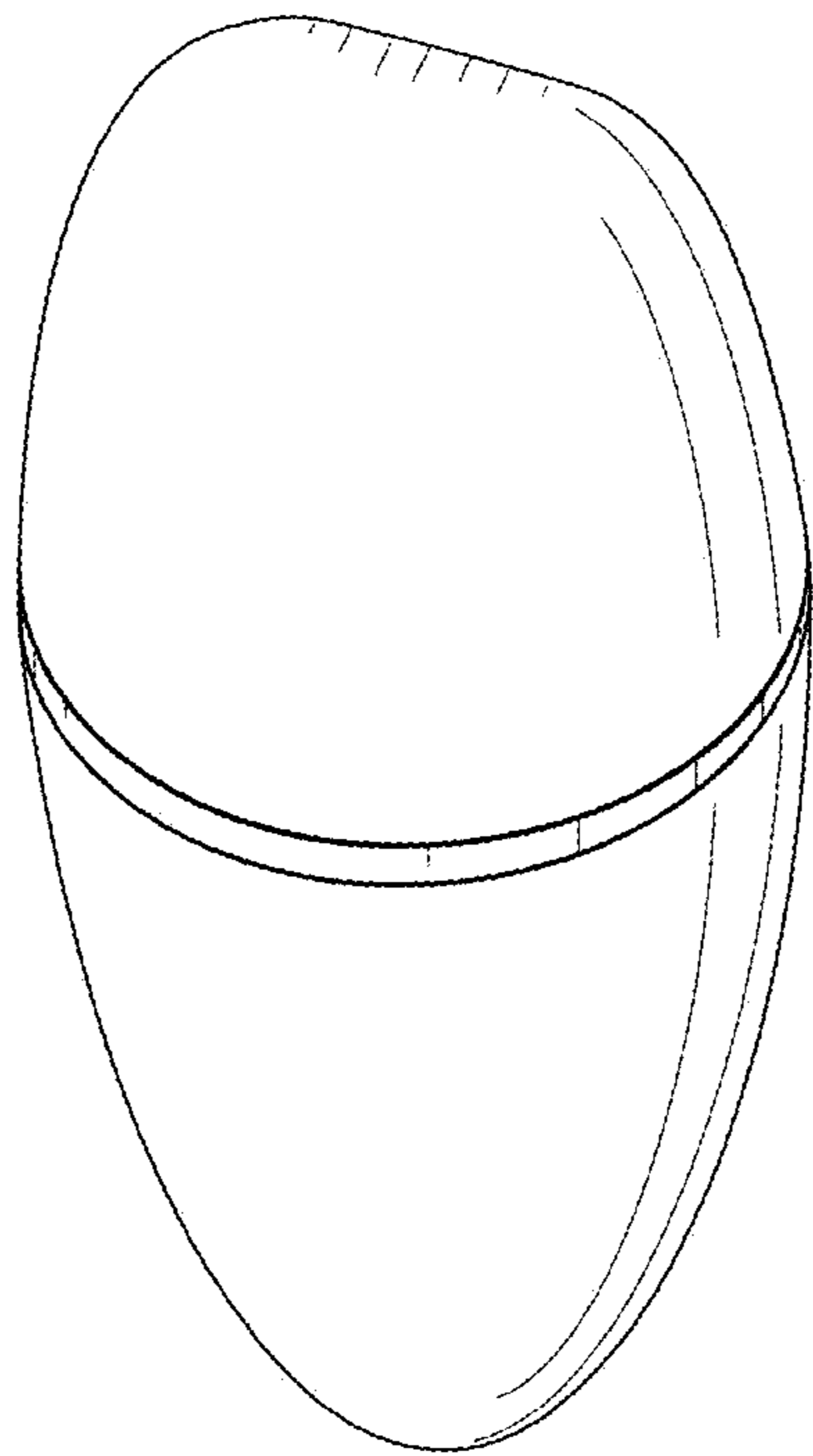


FIG.15

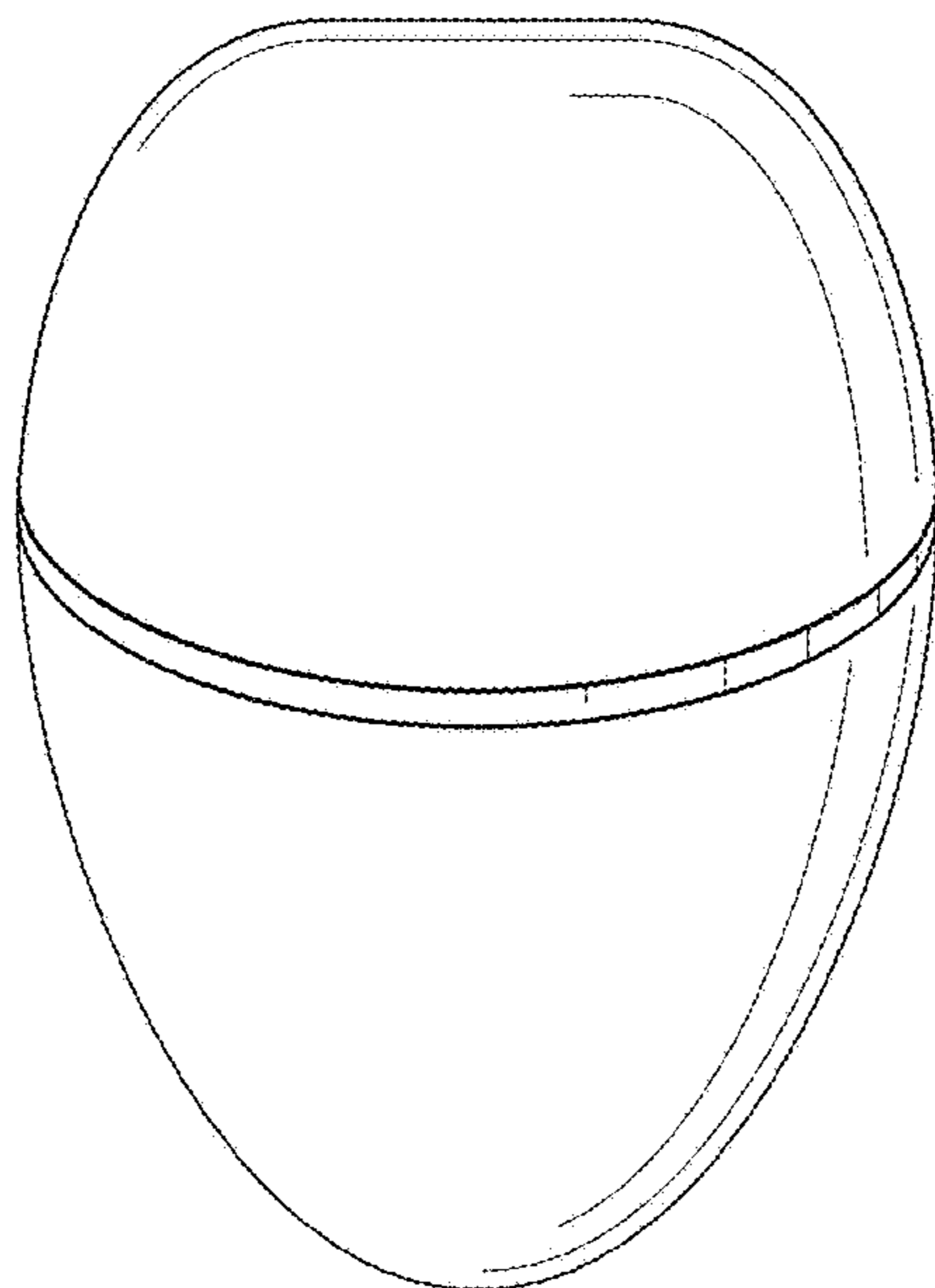


FIG.16

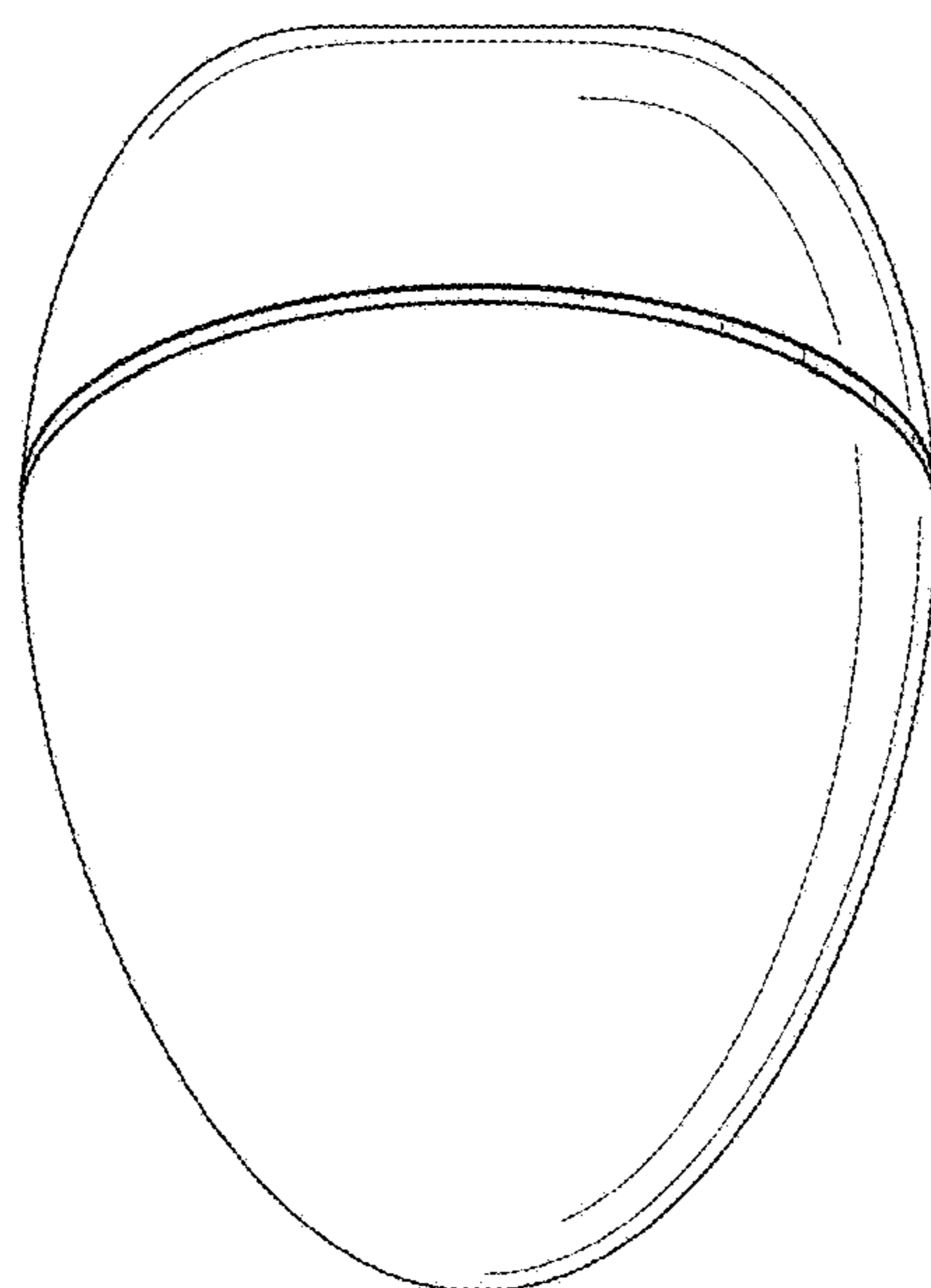


FIG.17

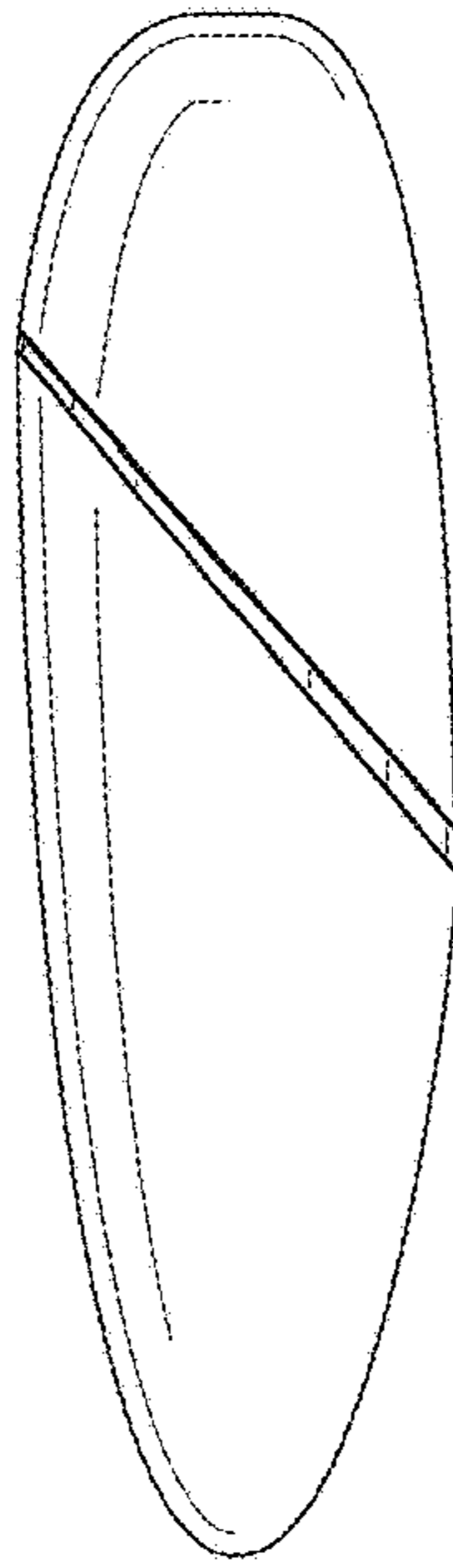


FIG. 18

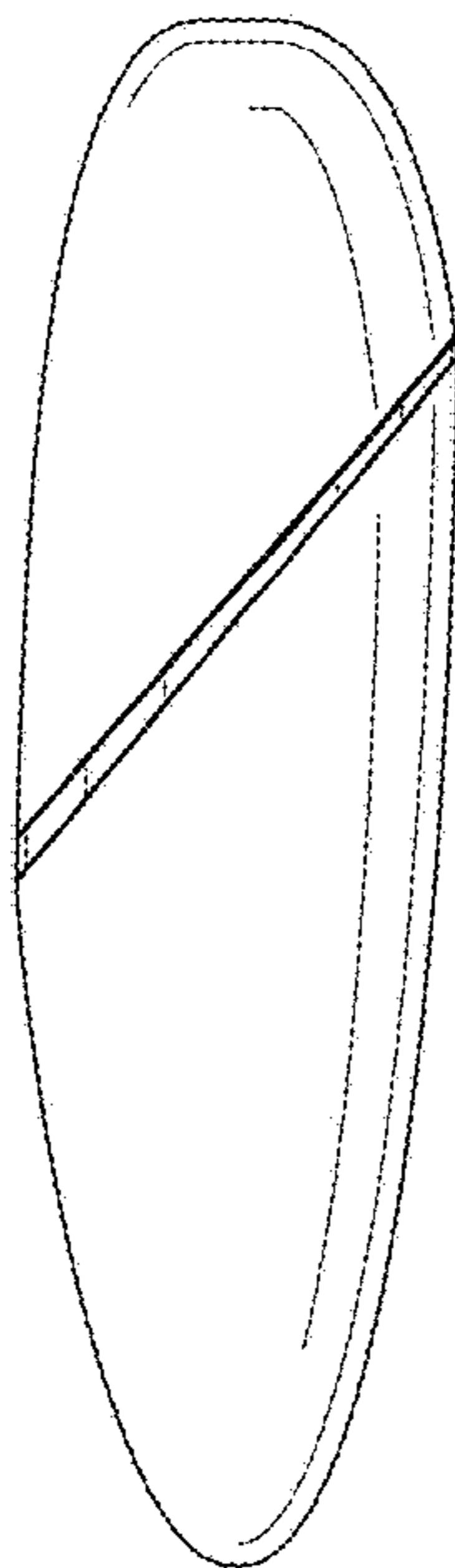


FIG. 19

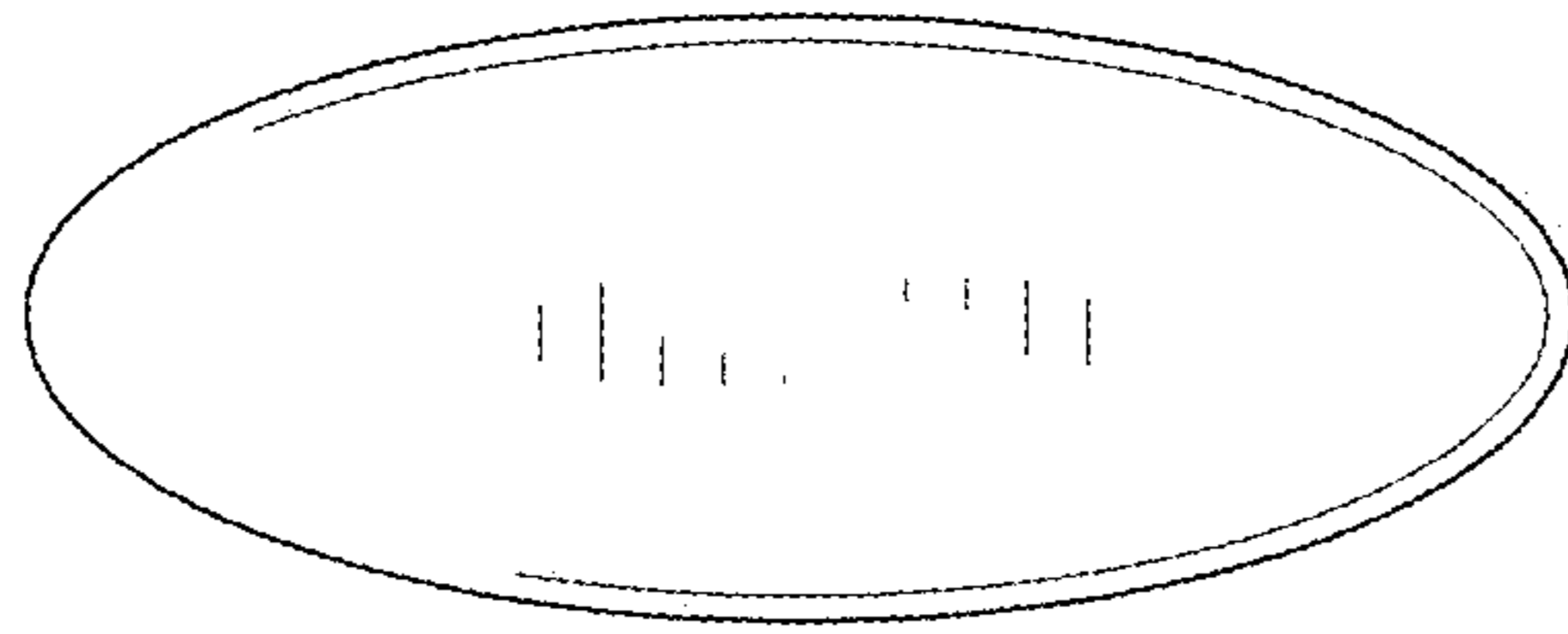


FIG. 20

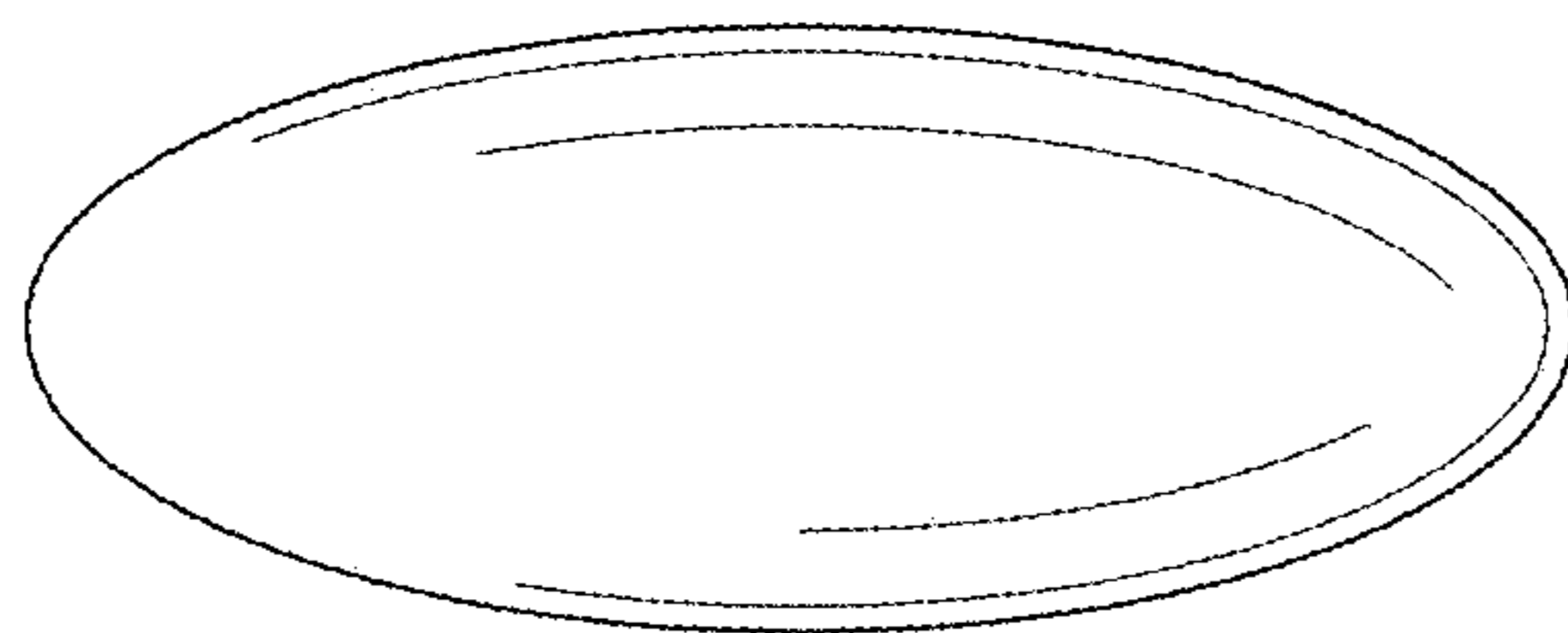


FIG. 21

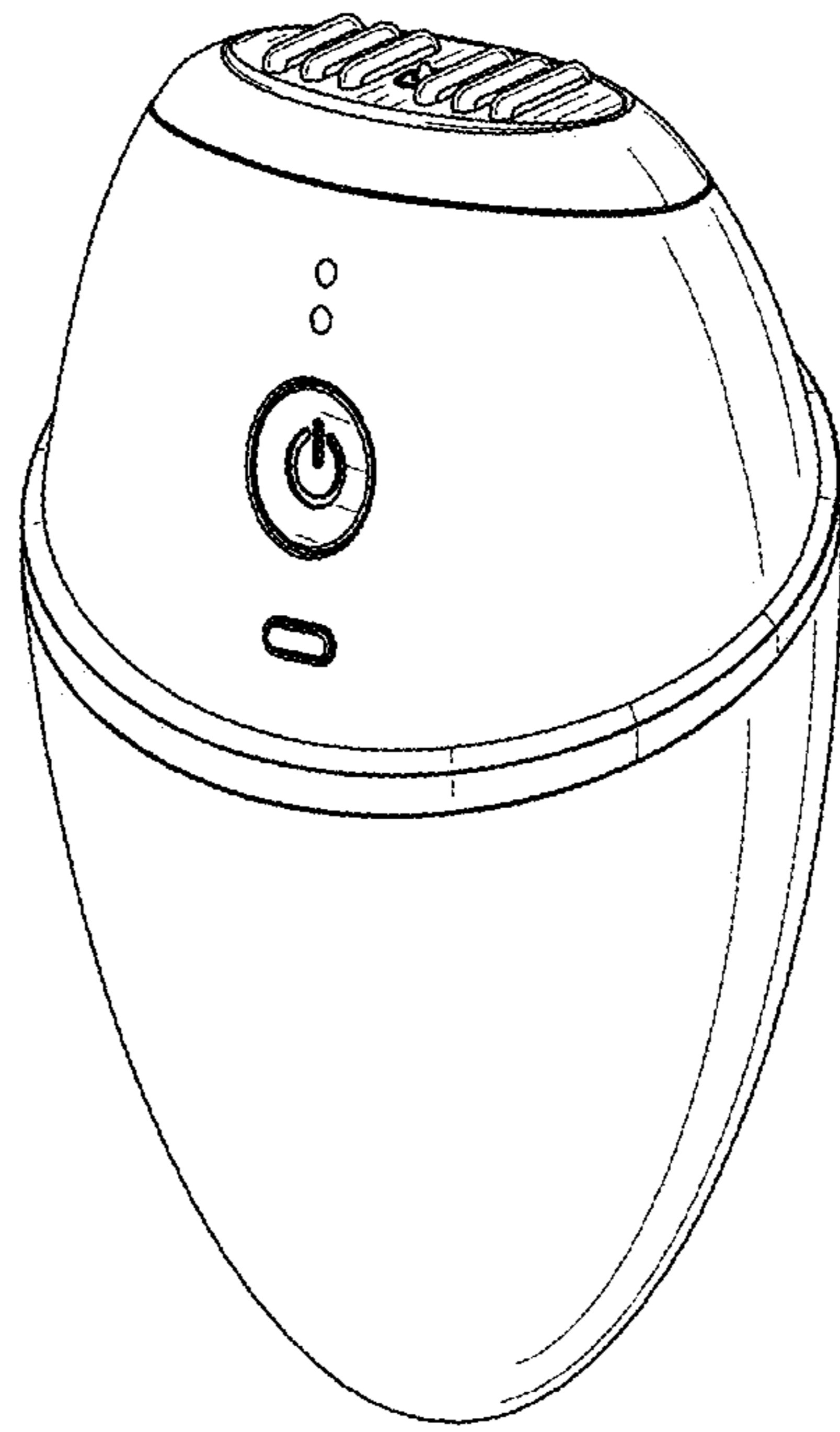


FIG.22

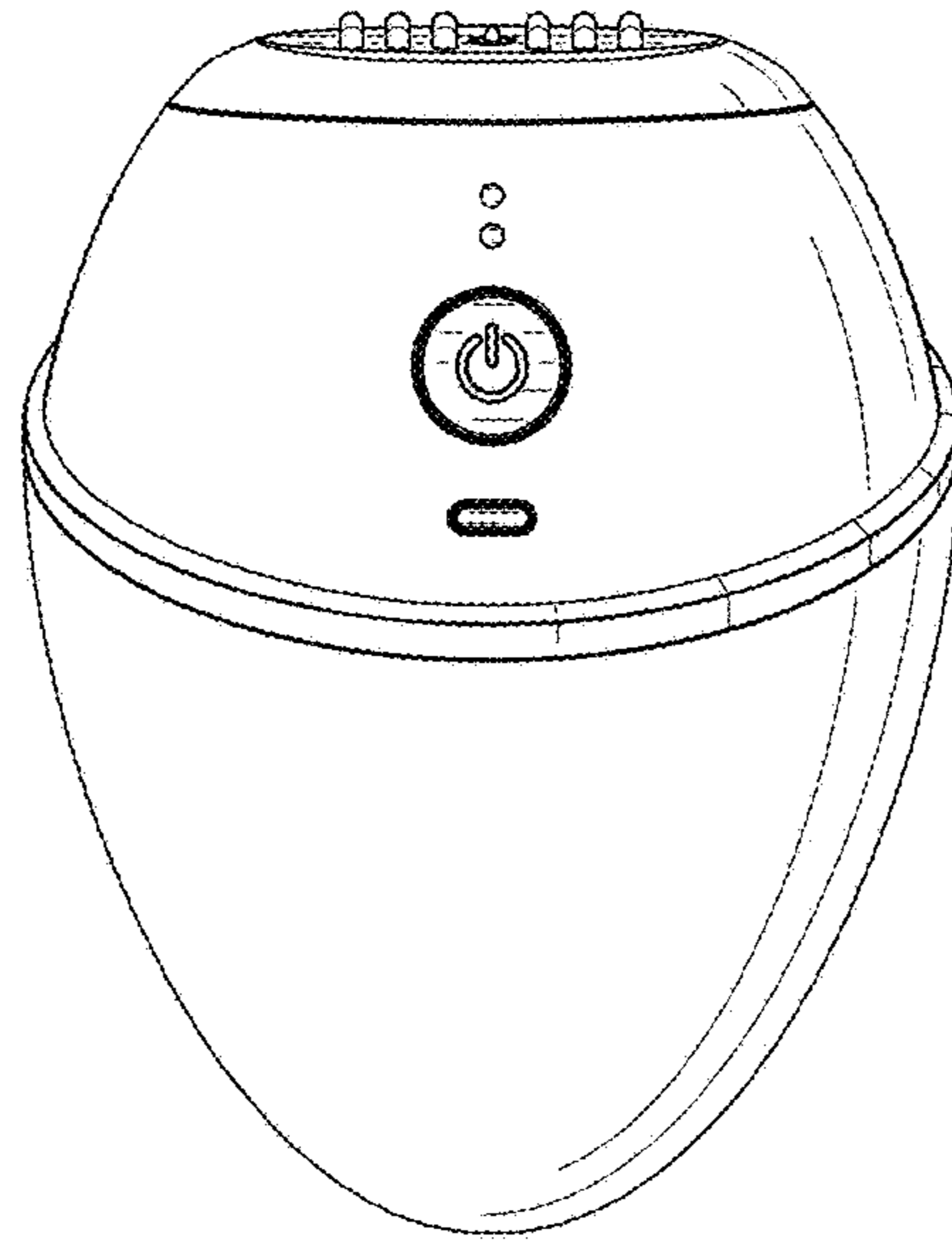


FIG. 23

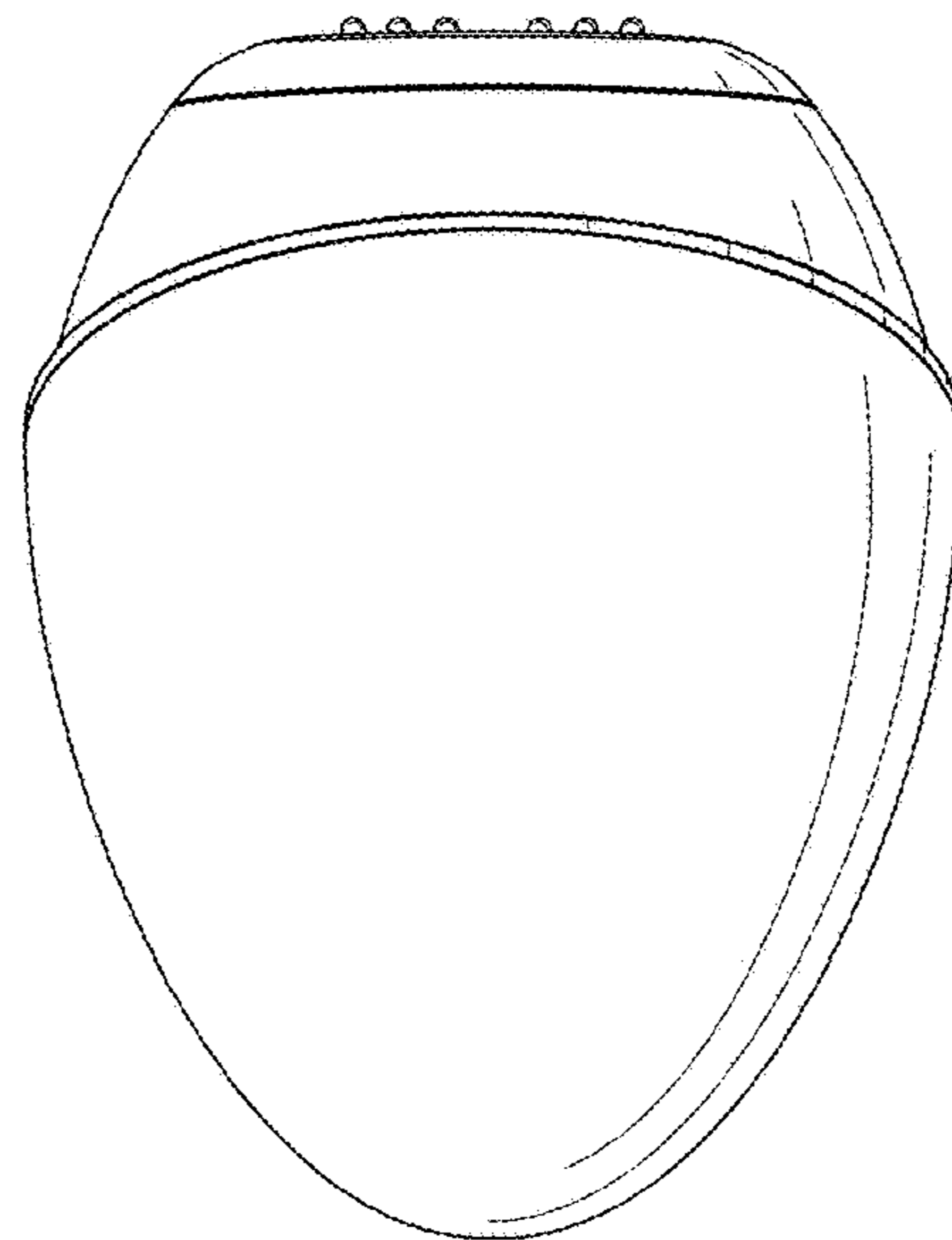


FIG. 24

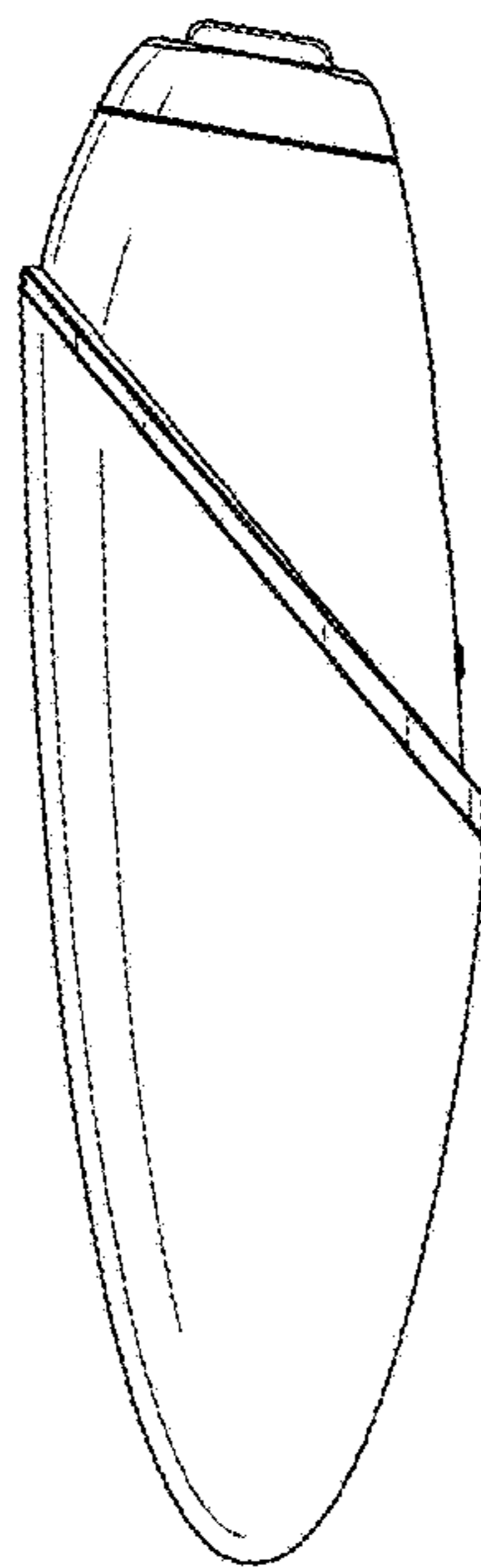


FIG.25

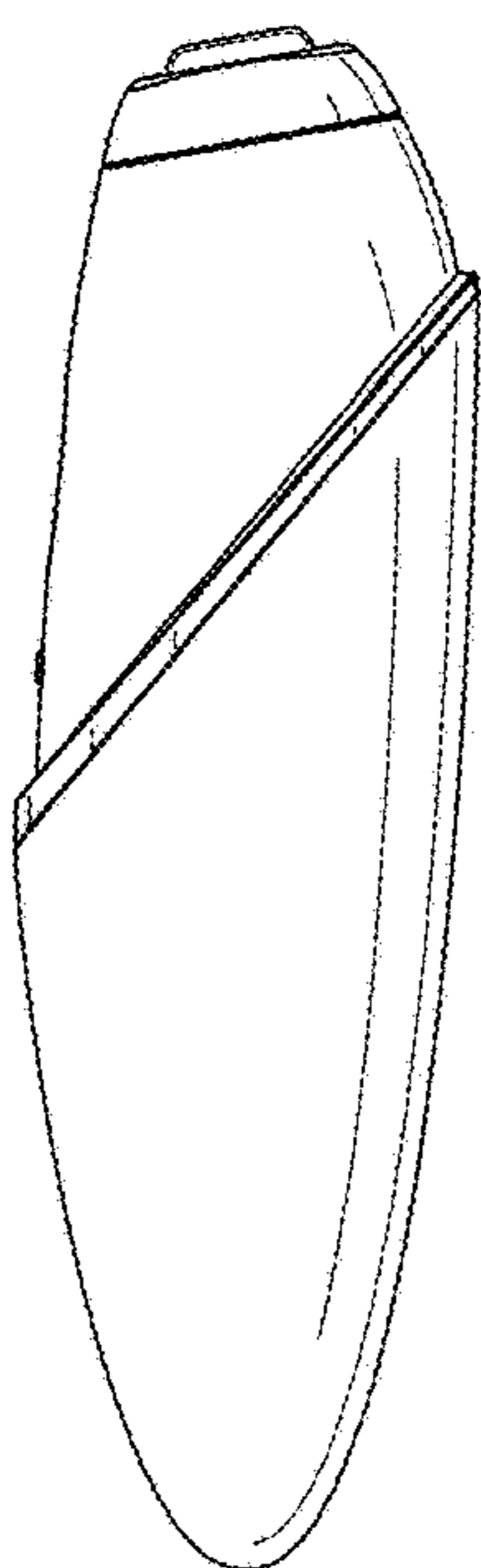


FIG.26

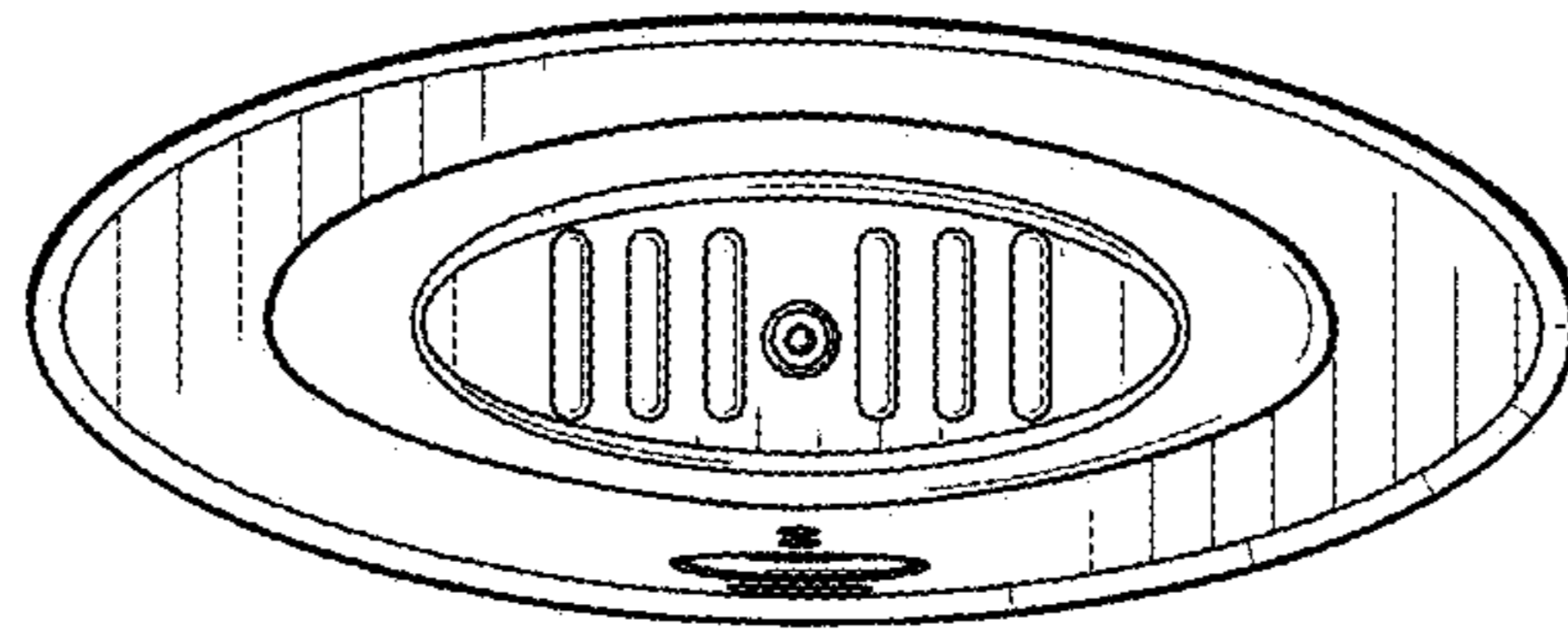


FIG. 27

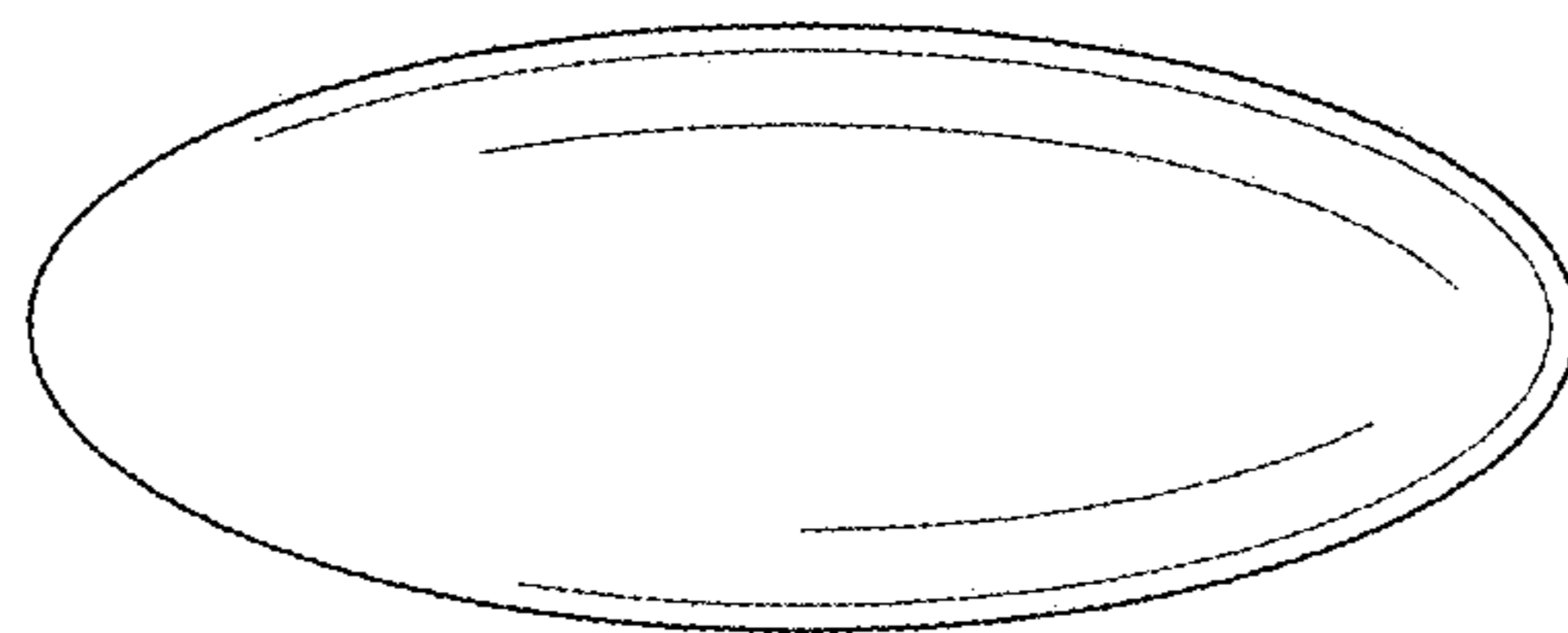


FIG. 28