



US00D824528S

(12) **United States Design Patent** (10) **Patent No.:** **US D824,528 S**  
**Yang** (45) **Date of Patent:** **\*\* Jul. 31, 2018**

(54) **PORTABLE BREAST LIGHT ASSEMBLY**

(71) Applicant: **Power Productions Group LLC.,**  
Coral Gables, FL (US)

(72) Inventor: **Lin Yang,** Neuss (DE)

(73) Assignee: **POWER PRODUCTIONS GROUP LLC.,** Coral Gables, FL (US)

(\*\*) Term: **15 Years**

(21) Appl. No.: **29/598,302**

(22) Filed: **Mar. 24, 2017**

(51) **LOC (11) Cl.** ..... **28-03**

(52) **U.S. Cl.**  
USPC ..... **D24/209**

(58) **Field of Classification Search**  
USPC ..... D24/107, 186, 158, 231, 200, 209, 210,  
D24/206, 214, 144, 133, 137, 187;  
D26/37-39; D28/9, 44.1  
CPC .... A61N 5/0616; A61N 5/0617; A61N 5/062;  
A61N 5/0627; A61N 5/0625; A61N  
2005/0643; A61N 2005/0644; A61N  
2005/0645; A61N 2005/0647; A61N  
2005/0651; A61N 2005/0652; A61N  
2005/67; A61B 2018/00452; A61B  
2018/1807; A61B 18/20; A61B 18/2005;  
A61B 18/201; A61B 18/2015; A61B  
18/203; A61B 18/2035

See application file for complete search history.

(56) **References Cited**

**U.S. PATENT DOCUMENTS**

D707,839 S *	6/2014	Bradley	.....	D24/209
D734,479 S *	7/2015	Youngquist	.....	D24/158
D791,960 S *	7/2017	Guanying	.....	D24/209
D794,784 S *	8/2017	Bradley	.....	D24/133
D797,302 S *	9/2017	Vahlensieck	.....	D24/209

2012/0016379 A1*	1/2012	Kay	.....	A61B 17/54 606/131
2013/0030506 A1*	1/2013	Bartolone	.....	A61N 5/0616 607/89
2013/0345721 A1*	12/2013	Menke	.....	A61B 17/54 606/131
2015/0230863 A1*	8/2015	Youngquist	.....	A61B 18/203 606/9

**OTHER PUBLICATIONS**

Pink Luminous Breast News Interview, posted at youtube.com, posted on Feb. 15, 2017, [online], [site visited Dec. 13, 2017], available from internet: URL: <https://www.youtube.com/watch?v=63aT-pqFzIE>.\*

\* cited by examiner

*Primary Examiner* — Anhdao Doan  
*Assistant Examiner* — Mary Malley  
(74) *Attorney, Agent, or Firm* — Albert Bordas, P.A.

(57) **CLAIM**

The ornamental design for a portable breast light assembly, as shown and described.

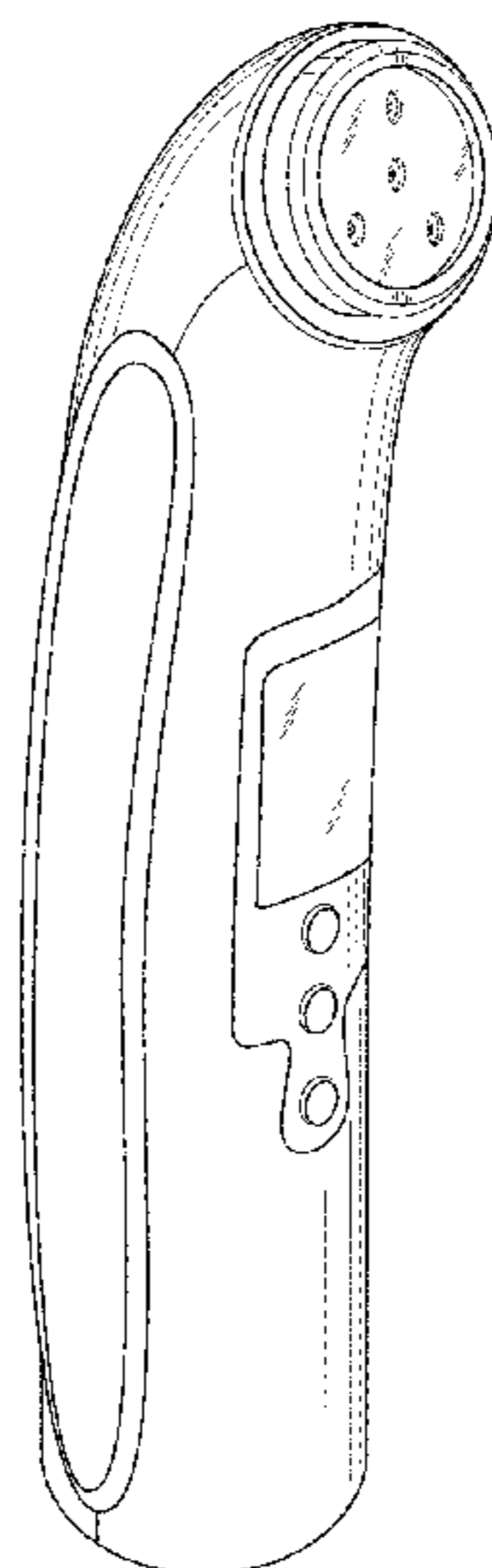
**DESCRIPTION**

FIG. 1 is a top plan view of a portable breast light assembly; FIG. 2 is a front elevational view thereof; FIG. 3 is a bottom view thereof; FIG. 4 is a right-side elevational view thereof, FIG. 5 is a rear elevational view thereof; FIG. 6 is a left-side elevational view thereof; and, FIG. 7 is an isometric view thereof.

The claimed portable breast light assembly is used to provide red light breast familiarity vain finder via a LED light.

The broken lines show portions of the portable breast light assembly that form no part of the claimed design.

**1 Claim, 3 Drawing Sheets**



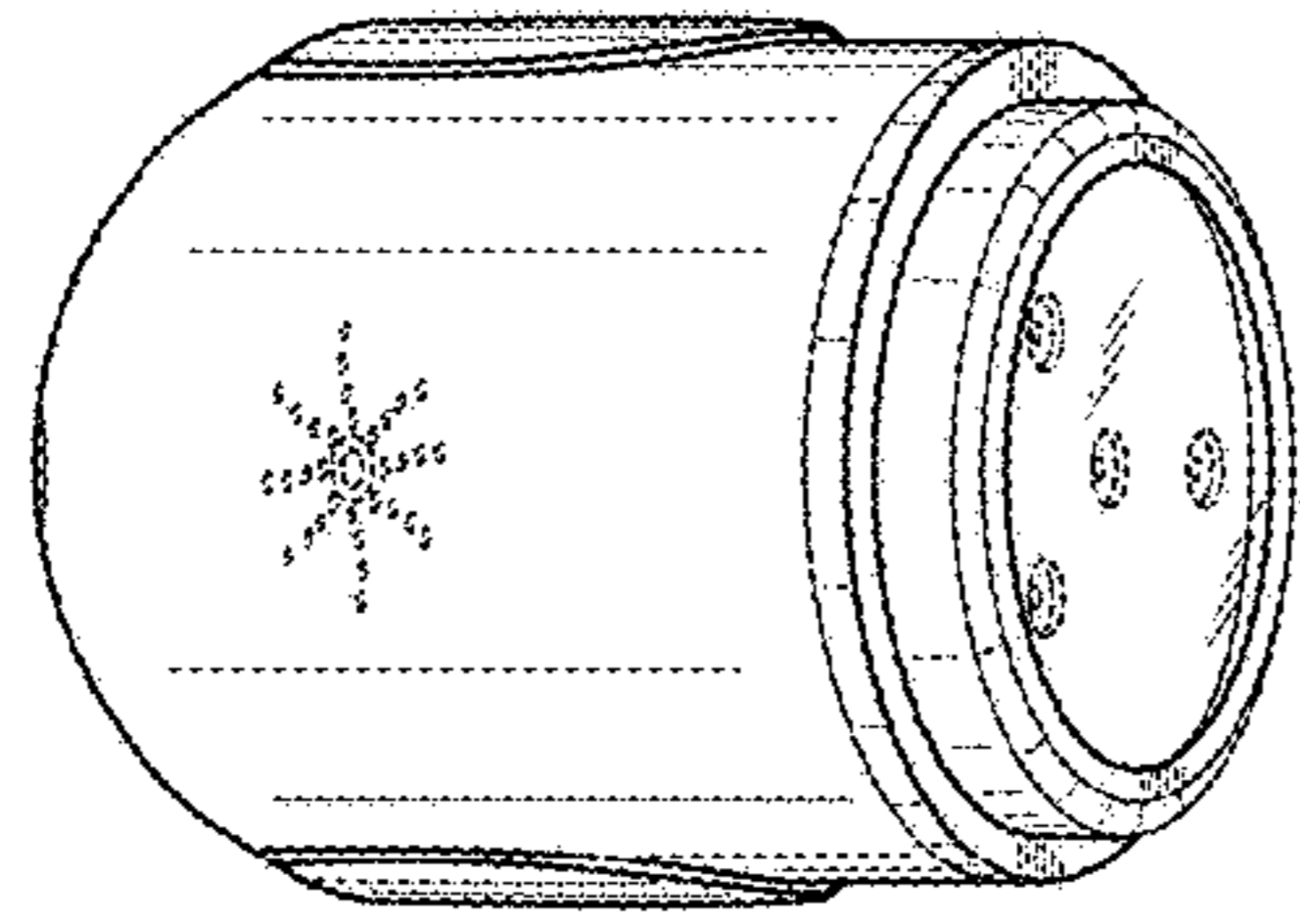


Fig. 1

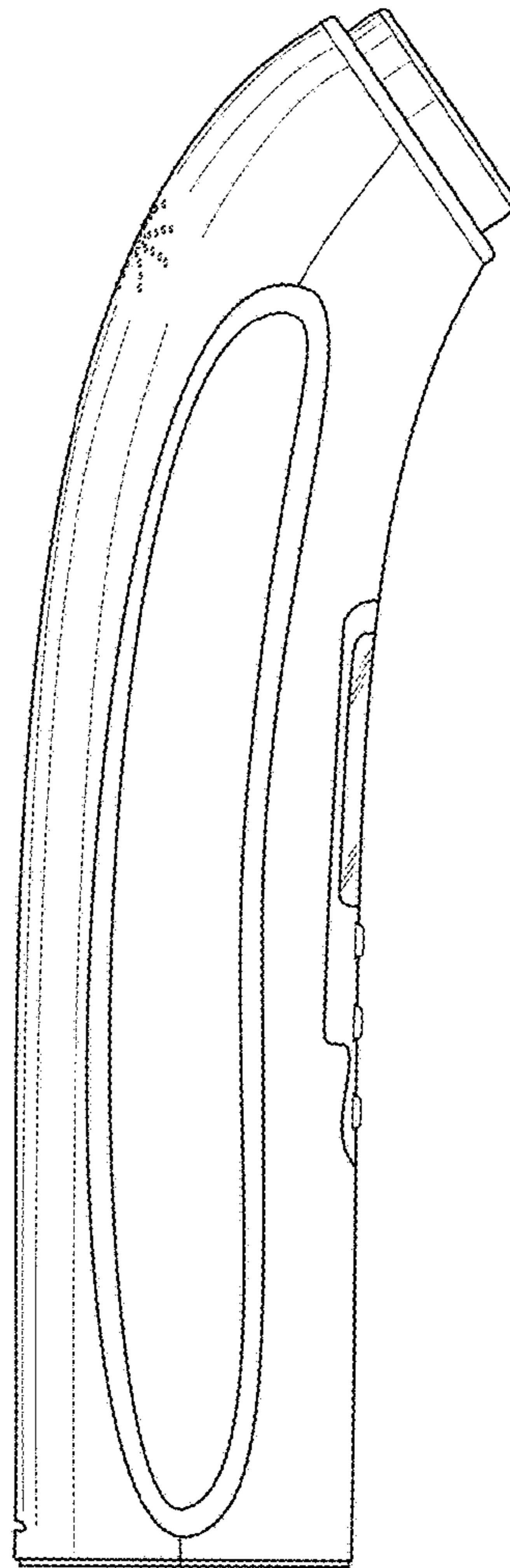


Fig. 2

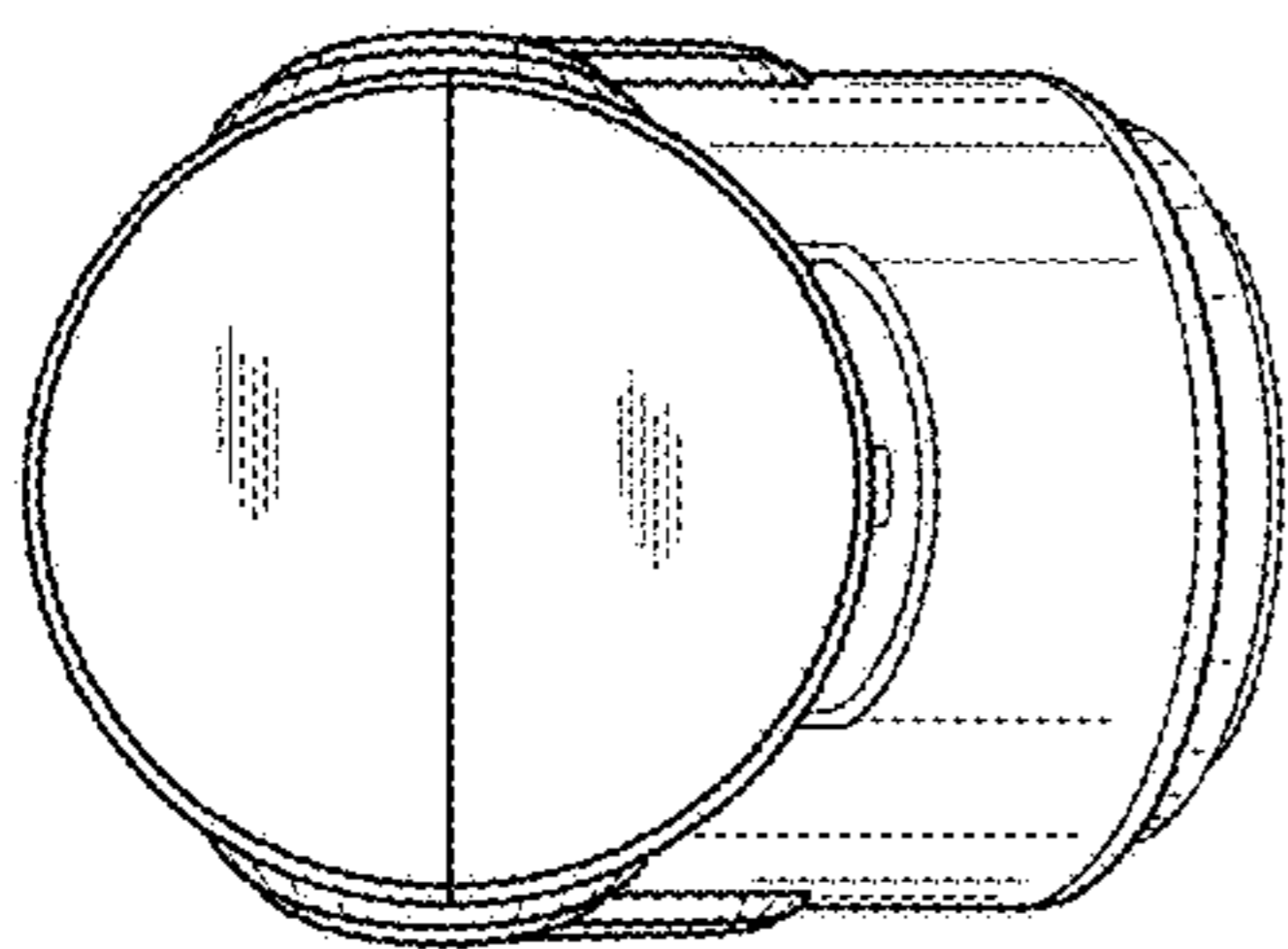


Fig. 3

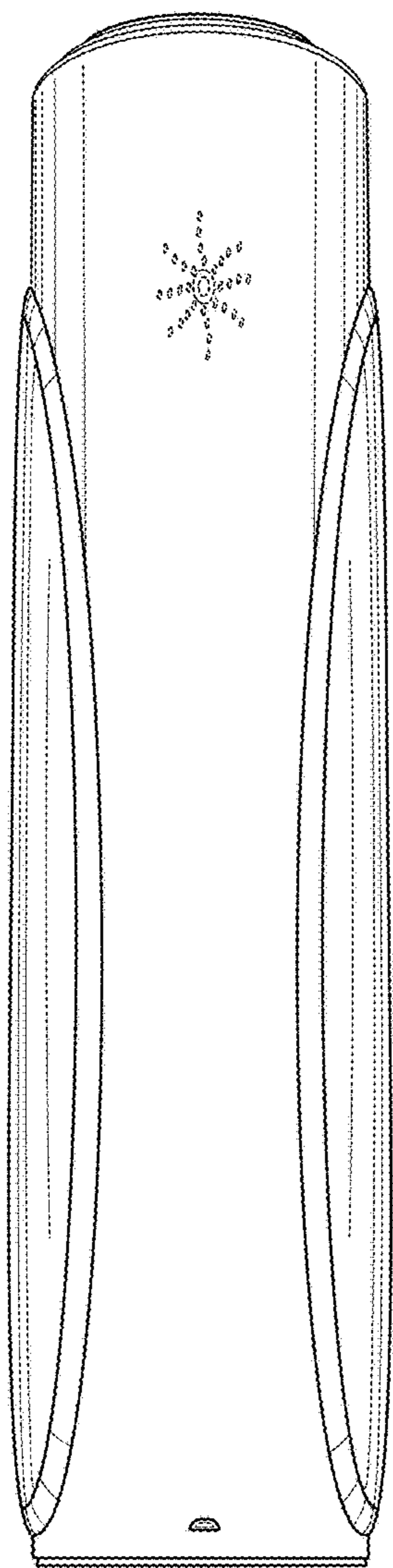


Fig. 4

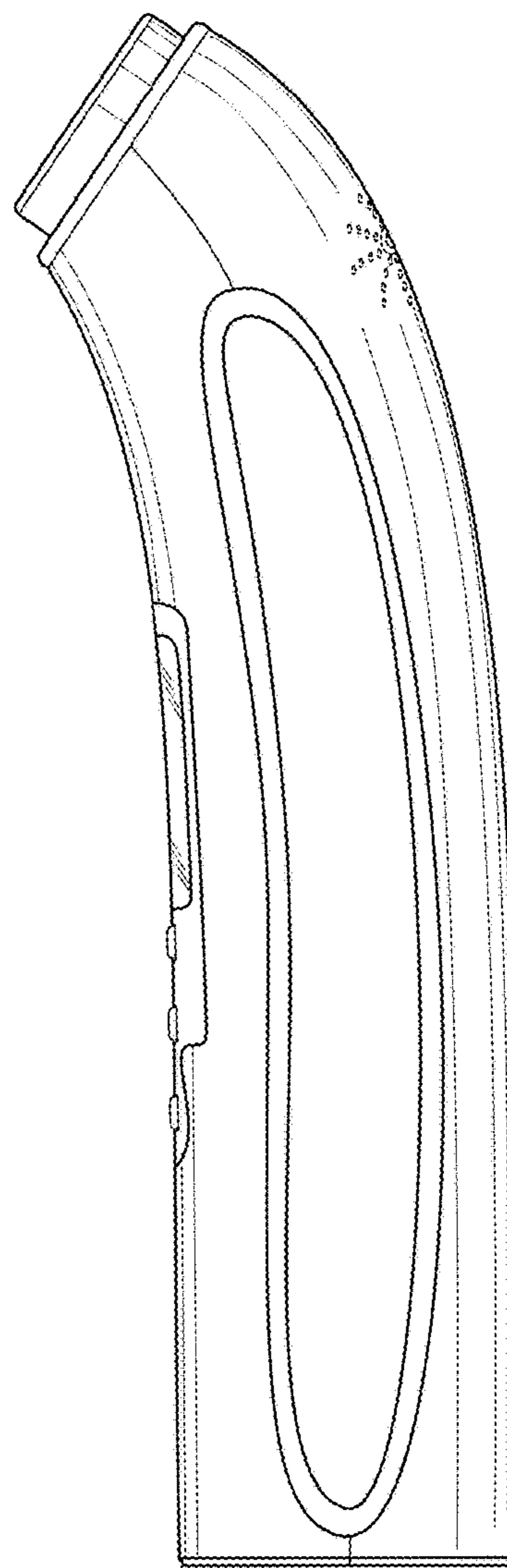


Fig. 5

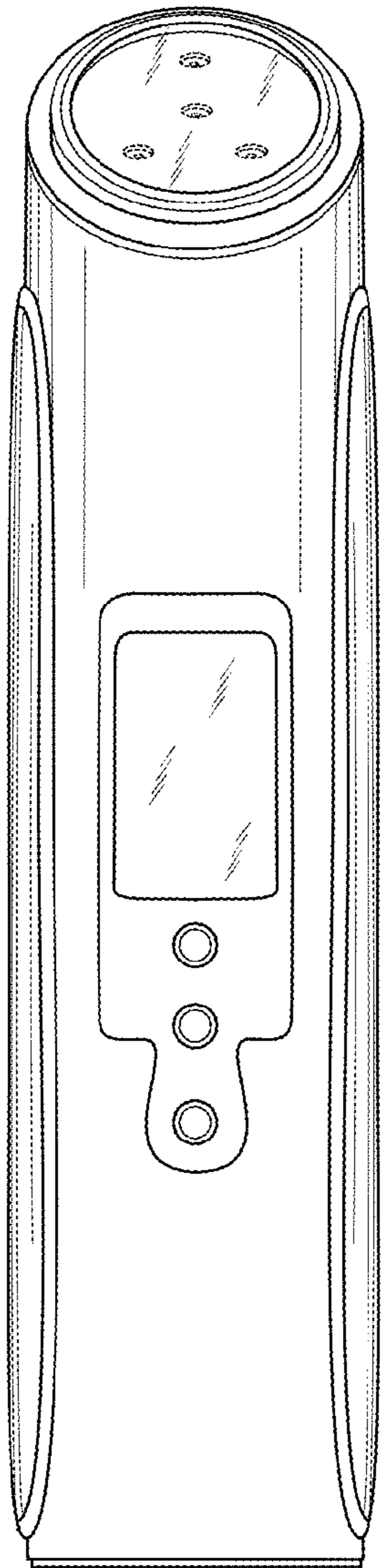


Fig. 6

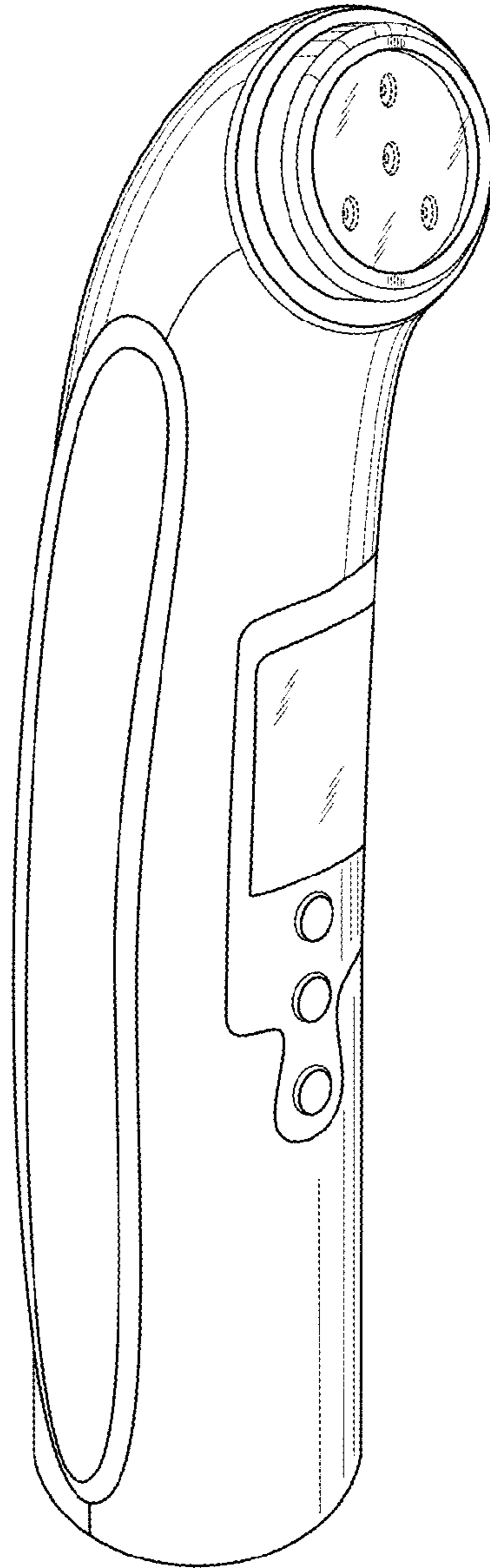


Fig. 7