



US00D824524S

(12) **United States Design Patent**
Johnson

(10) **Patent No.:** **US D824,524 S**

(45) **Date of Patent:** **** *Jul. 31, 2018**

(54) **ENTERAL FEEDING PUMP ACCESSORY
BAG AND CARRYING CASE**

(76) Inventor: **Patricia Johnson**, Lawrenceville, NJ
(US)

(*) Notice: This patent is subject to a terminal disclaimer.

(**) Term: **14 Years**

(21) Appl. No.: **29/349,186**

(22) Filed: **Mar. 15, 2010**

(51) **LOC (11) Cl.** **24-04**

(52) **U.S. Cl.**
USPC **D24/188**

(58) **Field of Classification Search**
USPC D24/130, 108, 111, 112, 224, 121, 133;
604/411-416, 403, 27, 37, 39, 48, 520;
D7/605-607, 629, 709; D3/273, 276,
D3/283-287
See application file for complete search history.

(56) **References Cited**

U.S. PATENT DOCUMENTS

4,673,117	A	6/1987	Calton	224/259	X
4,713,064	A	12/1987	Bruno et al.	604/257	
4,767,039	A	8/1988	Jacober	224/151	
5,044,537	A	9/1991	Bufalo	224/245	
5,090,526	A *	2/1992	Jacober	190/107	
5,403,095	A *	4/1995	Melk	383/110	
5,509,279	A	4/1996	Brown et al.	62/457.5	
5,649,658	A *	7/1997	Hoffman et al.	224/576	
D419,390	S *	1/2000	Freese et al.	D7/607	
6,092,661	A *	7/2000	Mogil	206/579	
6,336,577	B1 *	1/2002	Harris et al.	224/153	
6,439,389	B1 *	8/2002	Mogil	206/579	
6,513,661	B1 *	2/2003	Mogil	206/579	
6,612,472	B1 *	9/2003	Zakarin	224/652	

D497,518	S *	10/2004	Bellofatto et al.	D7/607	
D500,590	S *	1/2005	Sachen	D3/216	
D526,120	S *	8/2006	Lee et al.	D3/233	
D543,021	S *	5/2007	Lee et al.	D3/217	
7,669,436	B2 *	3/2010	Mogil et al.	62/457.7	
2005/0224534	A1	10/2005	Hudson et al.	224/158	
2008/0035694	A1	2/2008	Sisk et al.	224/587	

* cited by examiner

Primary Examiner — Michael A. Pratt

Assistant Examiner — Michelle E Wilson

(74) *Attorney, Agent, or Firm* — Standley Law Group
LLP

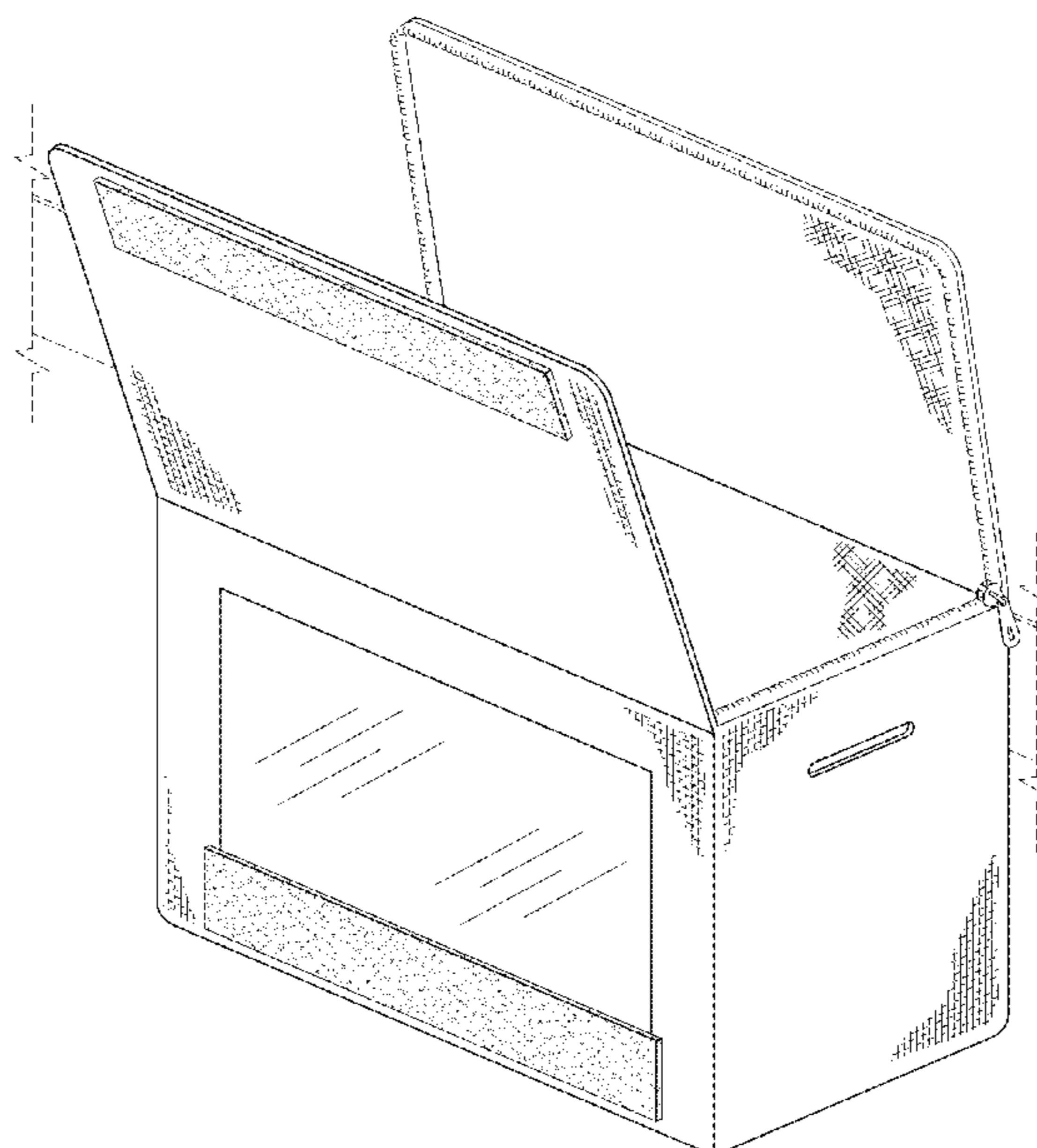
(57) **CLAIM**

I claim the ornamental design for an enteral feeding pump accessory bag and carrying case, as shown and described.

DESCRIPTION

FIG. 1 is a front right perspective view of the enteral feeding pump accessory bag;
 FIG. 2 is a front elevation view thereof;
 FIG. 3 is a left side elevation view thereof;
 FIG. 4 is a top plan view thereof;
 FIG. 5 is a front right perspective view of the enteral feed bag carrying case, a flap thereof shown in a folded position;
 FIG. 6 is a front elevation view thereof, the flap being raised;
 FIG. 7 is a left side elevation view thereof with the flap raised;
 FIG. 8 is a top plan view thereof with the flap raised;
 FIG. 9 is a bottom view thereof with the flap raised;
 FIG. 10 is a rear elevation view thereof with the flap raised;
 and,
 FIG. 11 is a front elevation view of the enteral feeding pump accessory bag and the enteral feed bag carrying case, shown in operative arrangement.
 The broken lines are shown for environmental purposes and form no part of the claimed design.

1 Claim, 10 Drawing Sheets



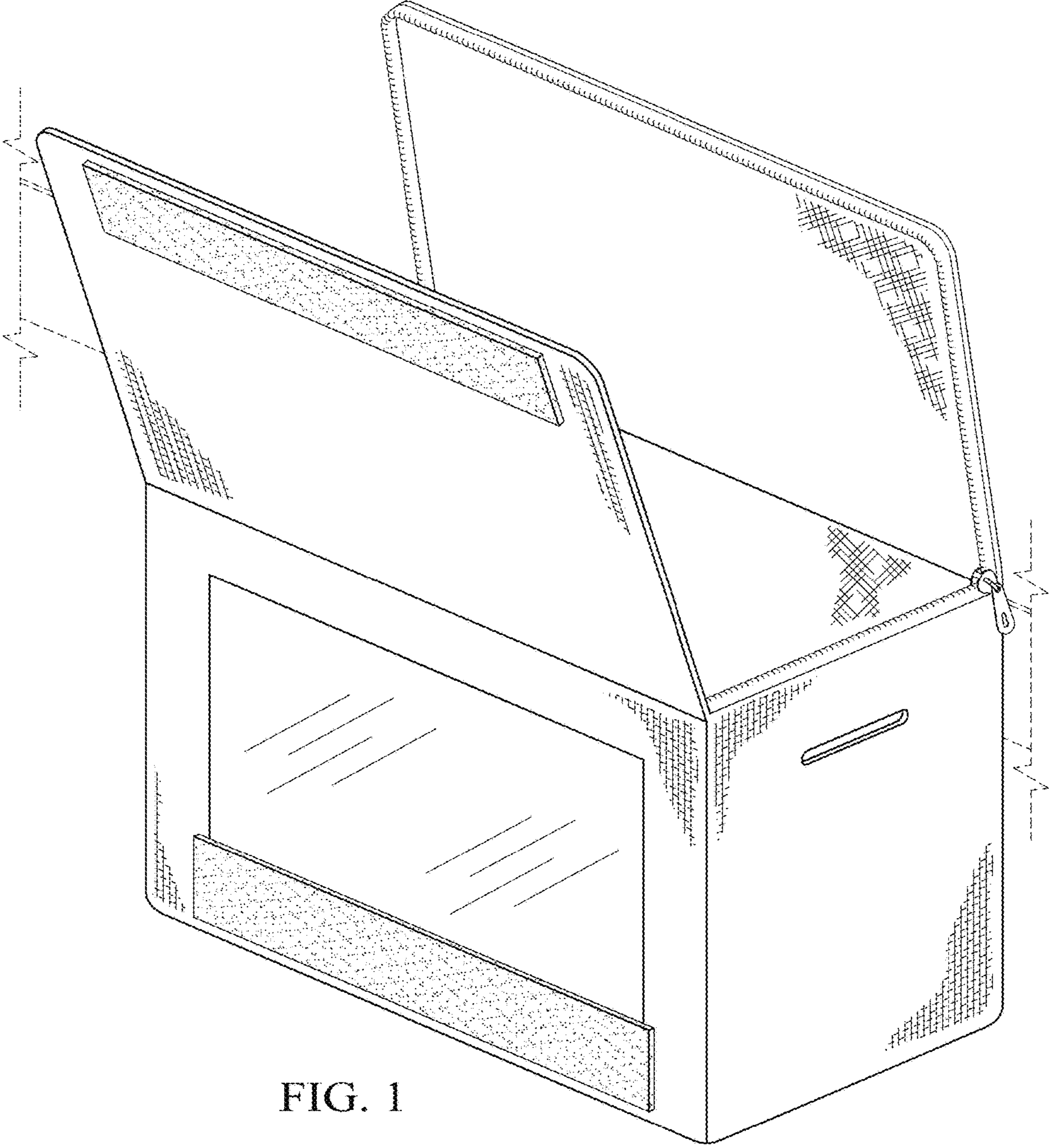


FIG. 1

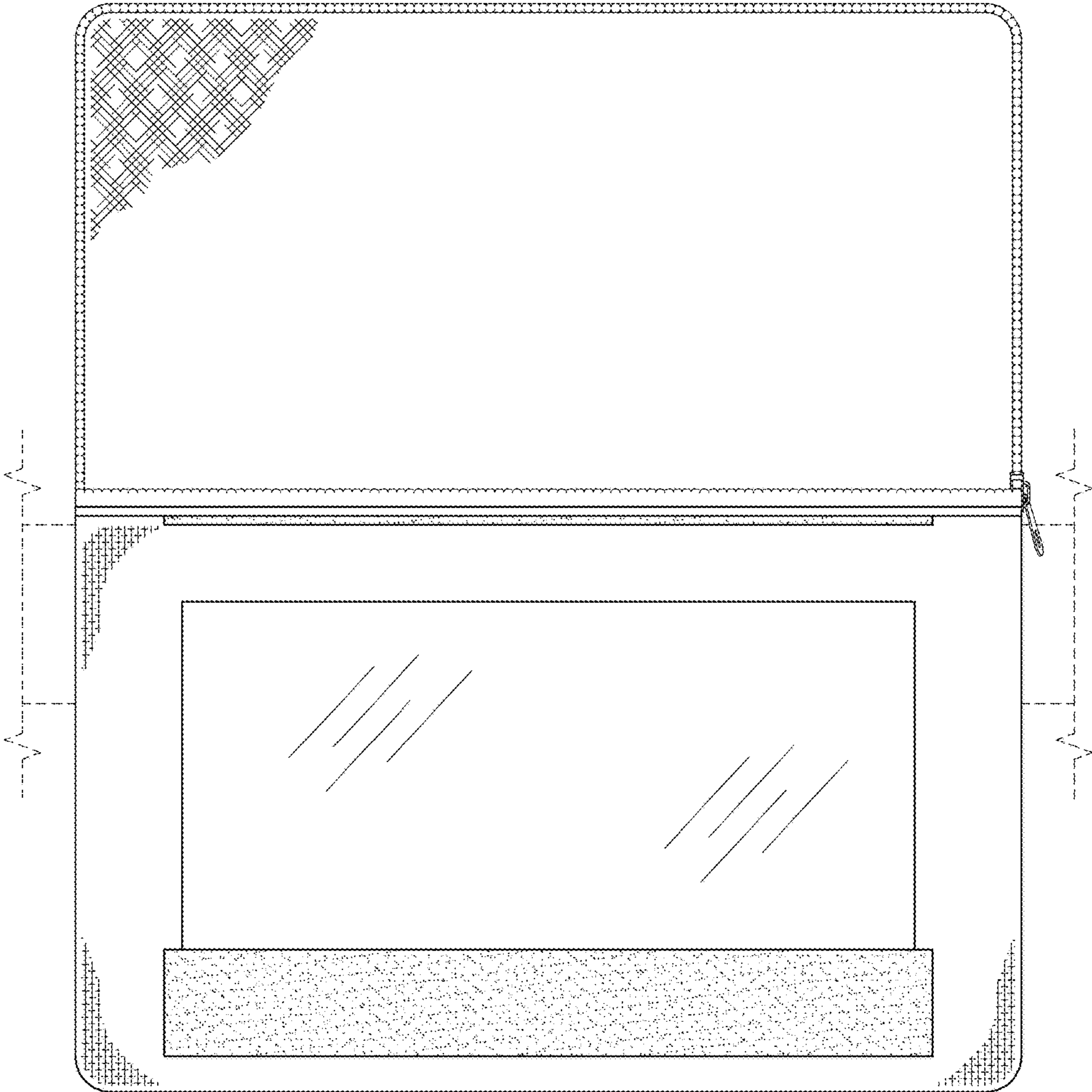


FIG. 2

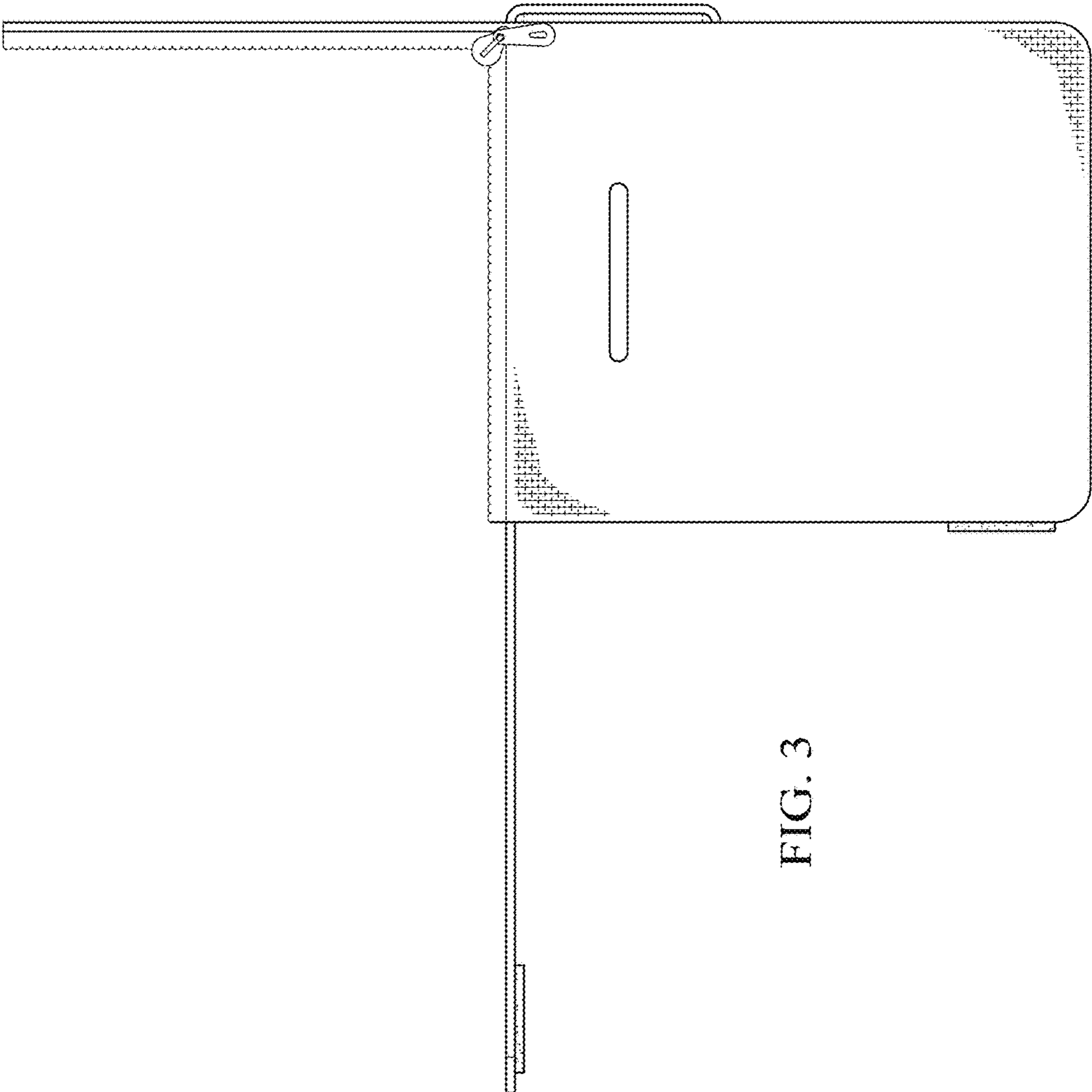


FIG. 3

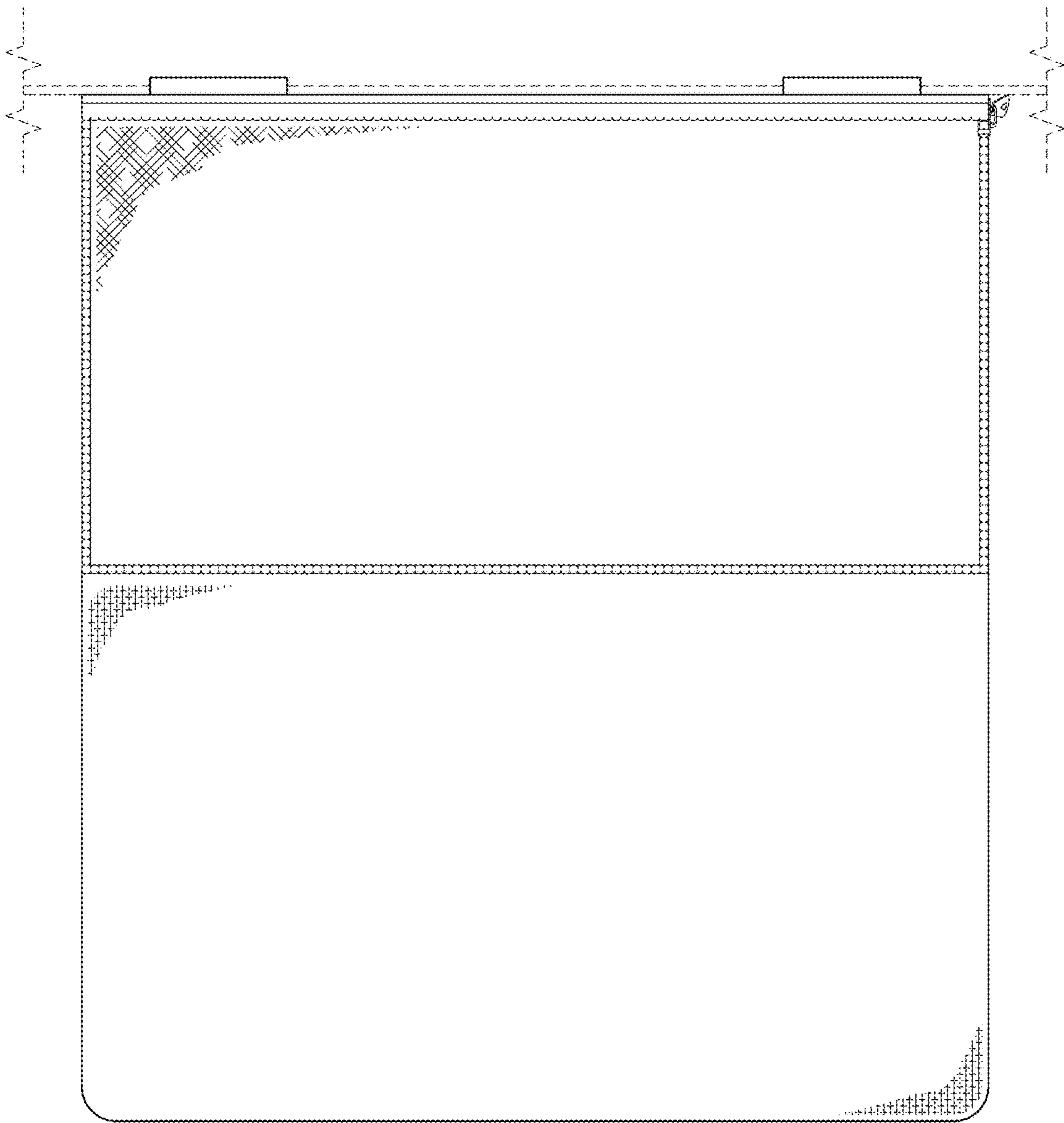


FIG. 4

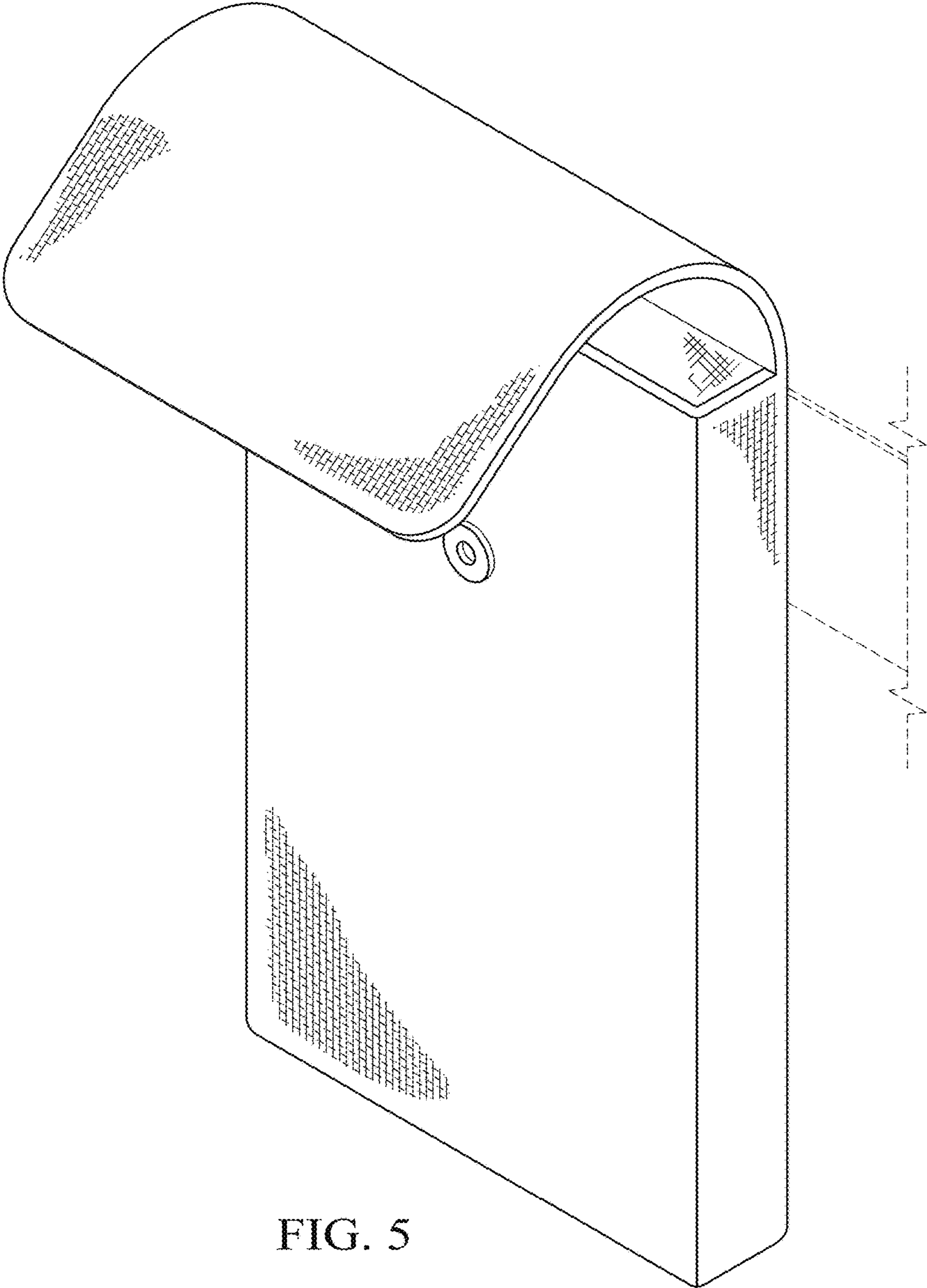


FIG. 5

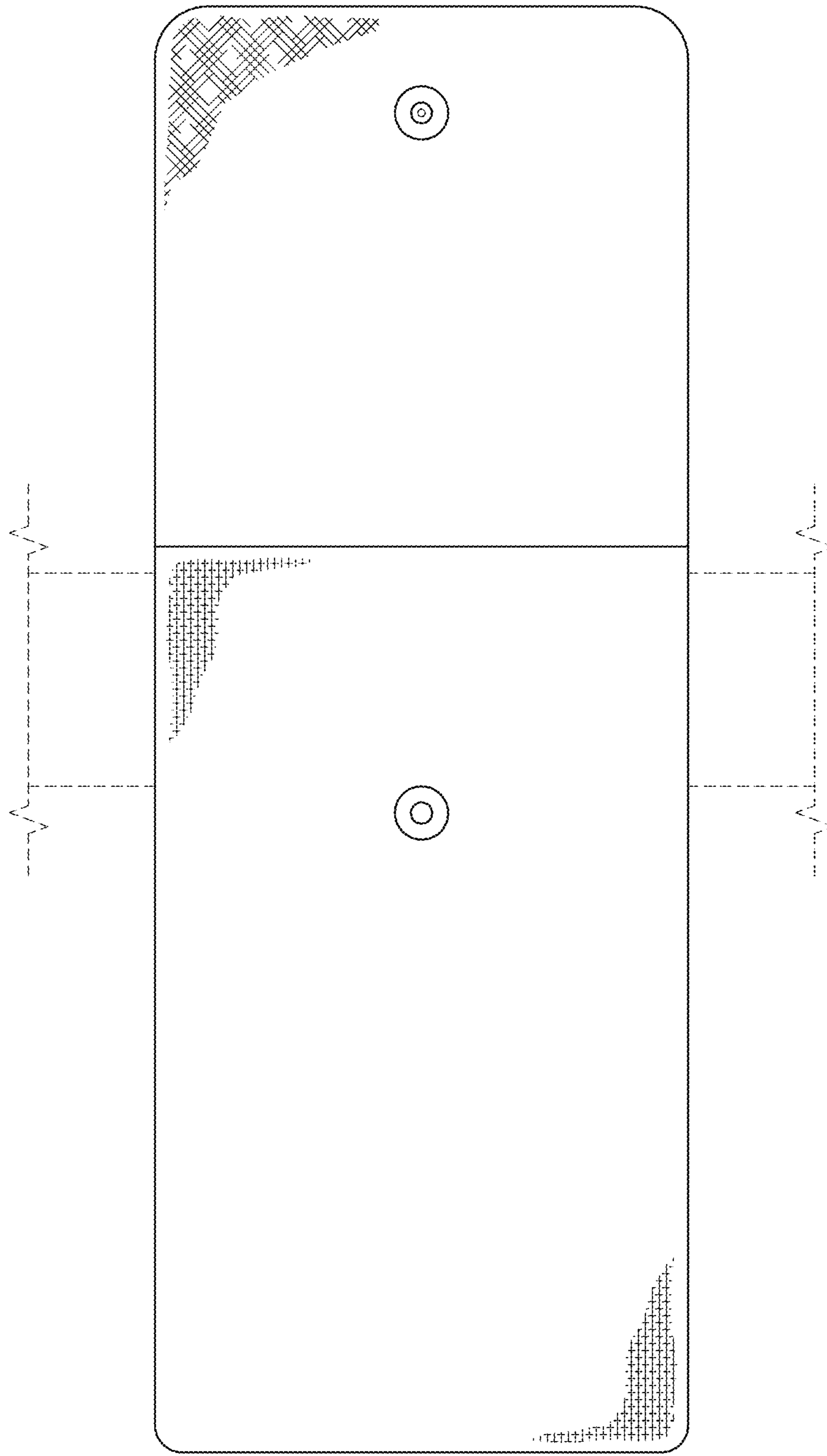


FIG. 6

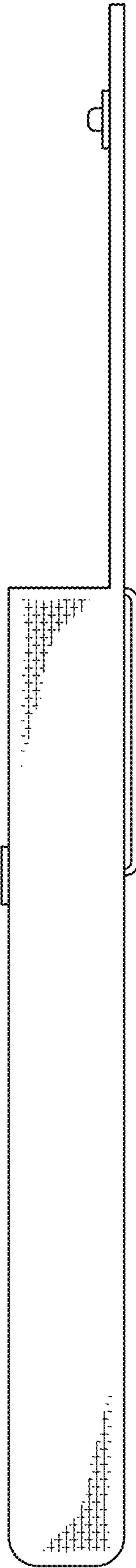


FIG. 7

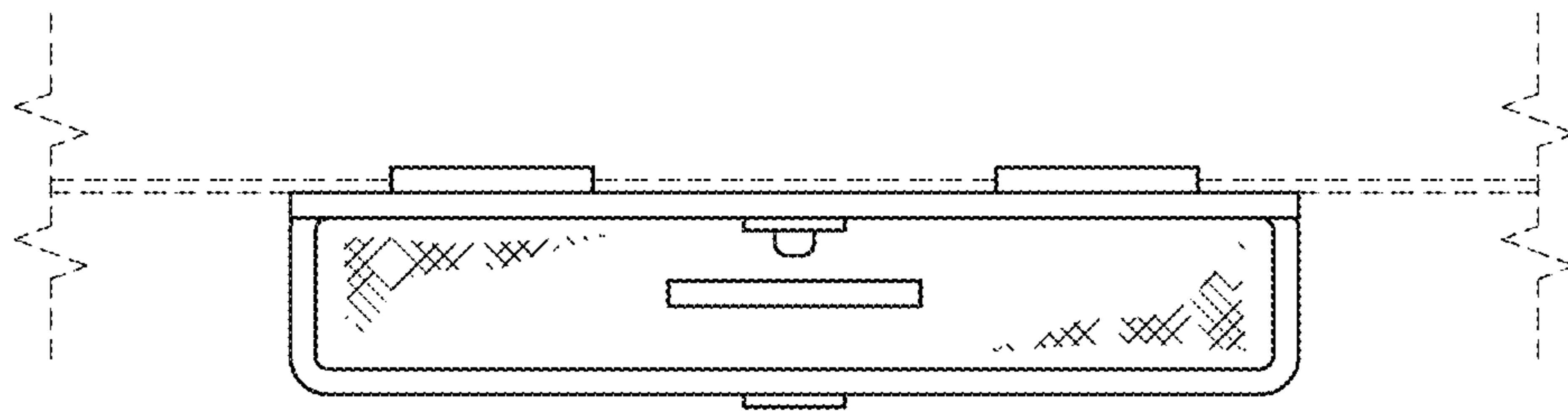


FIG. 8

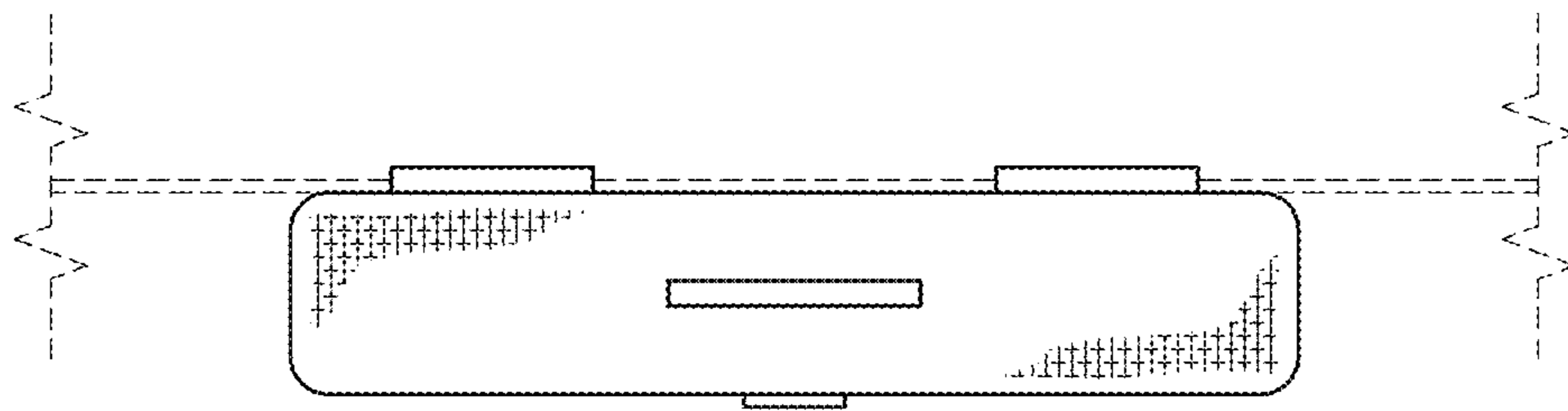


FIG. 9

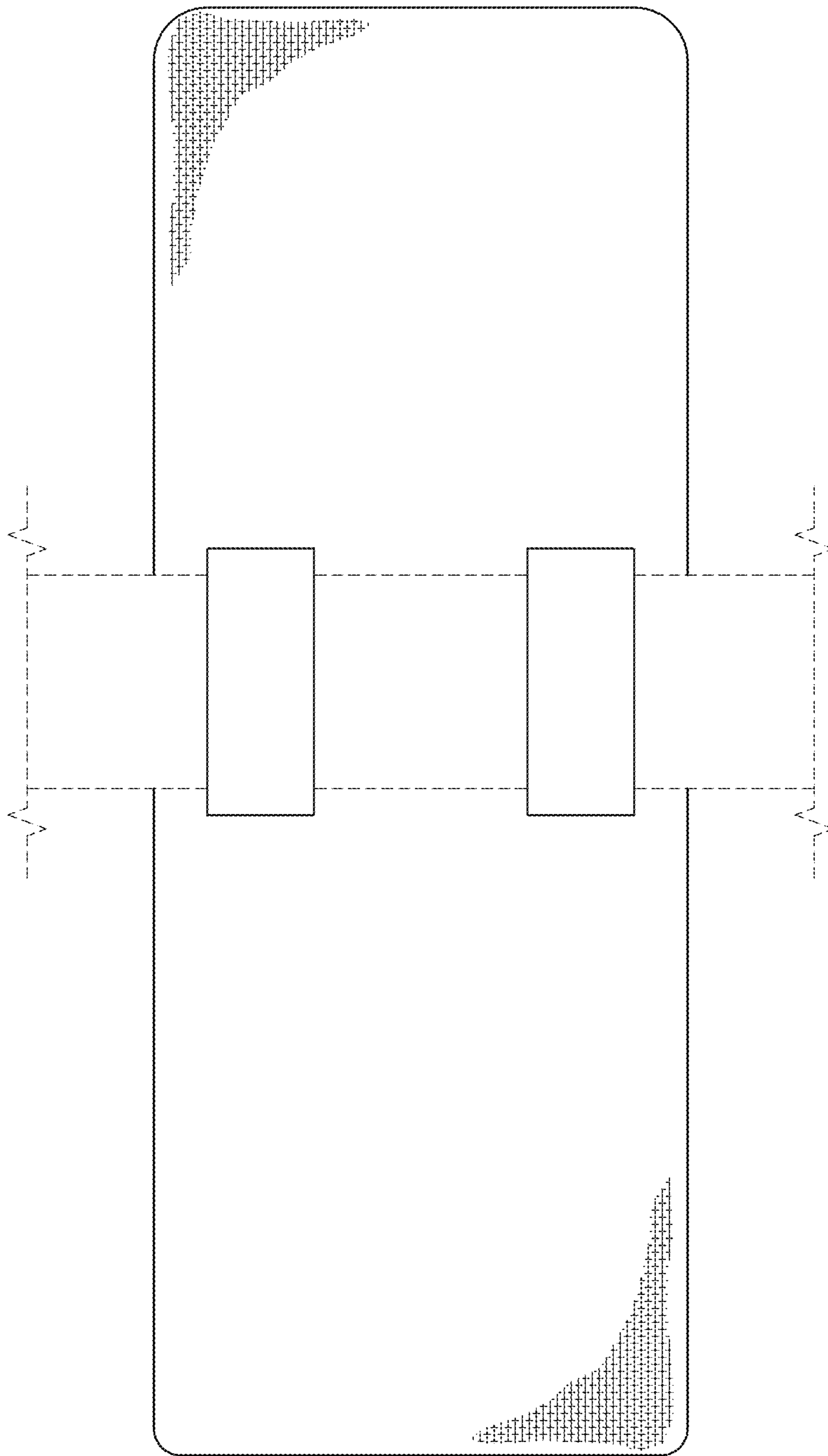


FIG. 10

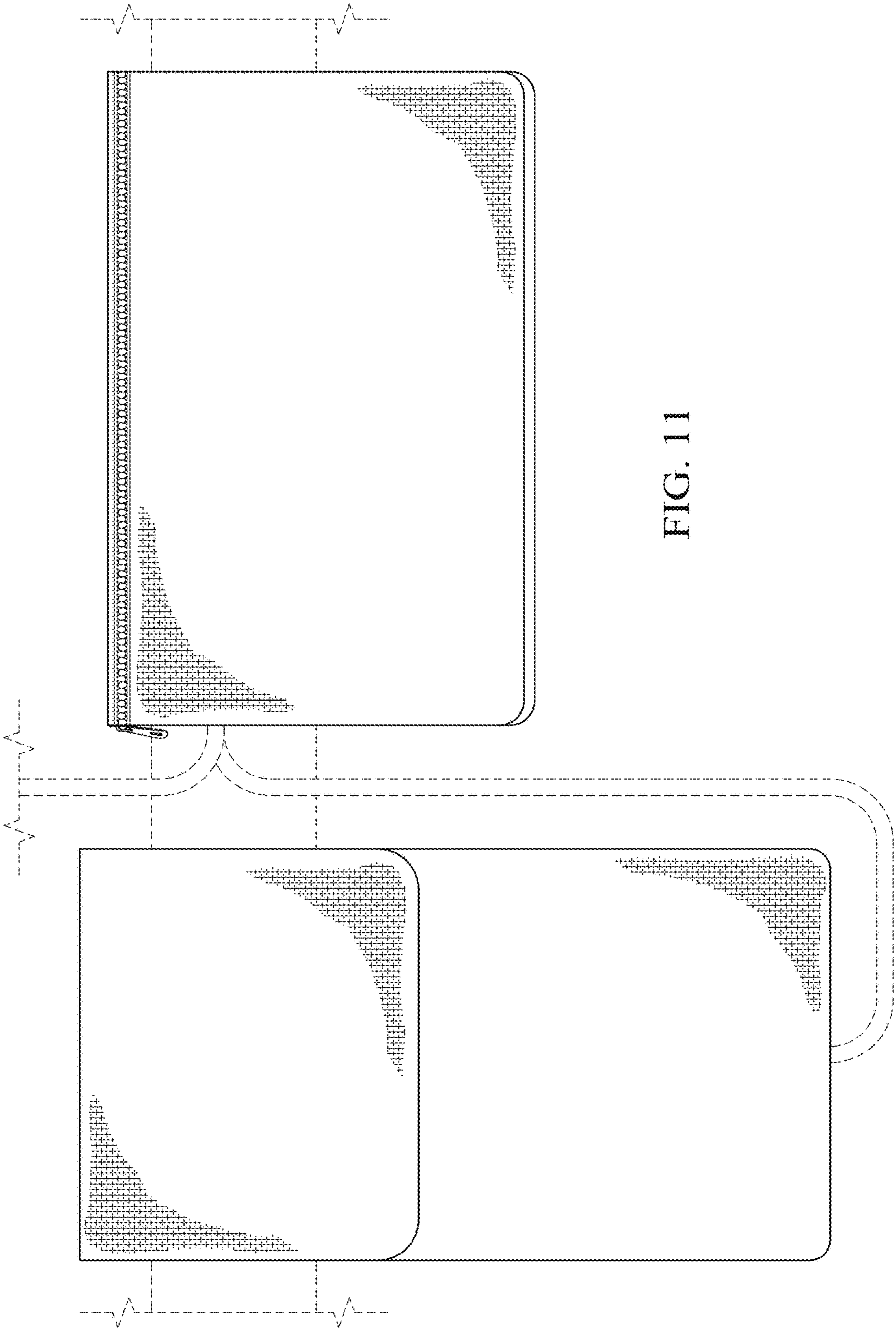


FIG. 11