



US00D824522S

(12) **United States Design Patent**  
**Brown**

(10) **Patent No.:** **US D824,522 S**  
(45) **Date of Patent:** **\*\* Jul. 31, 2018**

(54) **TOURNIQUET**  
(71) Applicant: **Alice M. Brown**, Saginaw, MI (US)  
(72) Inventor: **Alice M. Brown**, Saginaw, MI (US)  
(\*\*) Term: **15 Years**  
(21) Appl. No.: **29/601,864**  
(22) Filed: **Apr. 26, 2017**

**Related U.S. Application Data**

(63) Continuation of application No. 15/335,647, filed on Oct. 27, 2016.  
(51) **LOC (11) Cl.** ..... **24-01**  
(52) **U.S. Cl.**  
USPC ..... **D24/169**  
(58) **Field of Classification Search**  
USPC ..... D24/143, 165, 167, 169, 186; D8/382, D8/383, 356, 349  
CPC ..... A61B 17/1327; A61B 17/1322; A61B 17/1325; B63B 35/7933; B63B 2035/794  
See application file for complete search history.

**References Cited**

**U.S. PATENT DOCUMENTS**

7,947,061 B1 \* 5/2011 Reis ..... A61B 17/1322 606/203  
D639,642 S \* 6/2011 Kalbach ..... D8/383  
8,652,164 B1 \* 2/2014 Aston ..... A61B 17/1327 606/203  
D791,951 S \* 7/2017 Henderson ..... D24/169

2008/0281351 A1\* 11/2008 Croushorn ..... A61B 17/1325 606/202  
2010/0049241 A1\* 2/2010 Persson ..... A61B 17/1322 606/203  
2014/0135819 A1\* 5/2014 Brown ..... A61B 17/1327 606/203  
2015/0359542 A1\* 12/2015 Steinbaugh ..... A61B 17/1327 606/203

\* cited by examiner

*Primary Examiner* — Anhdao Doan

(74) *Attorney, Agent, or Firm* — Robert L. Stearns; Dickinson Wright, PLLC

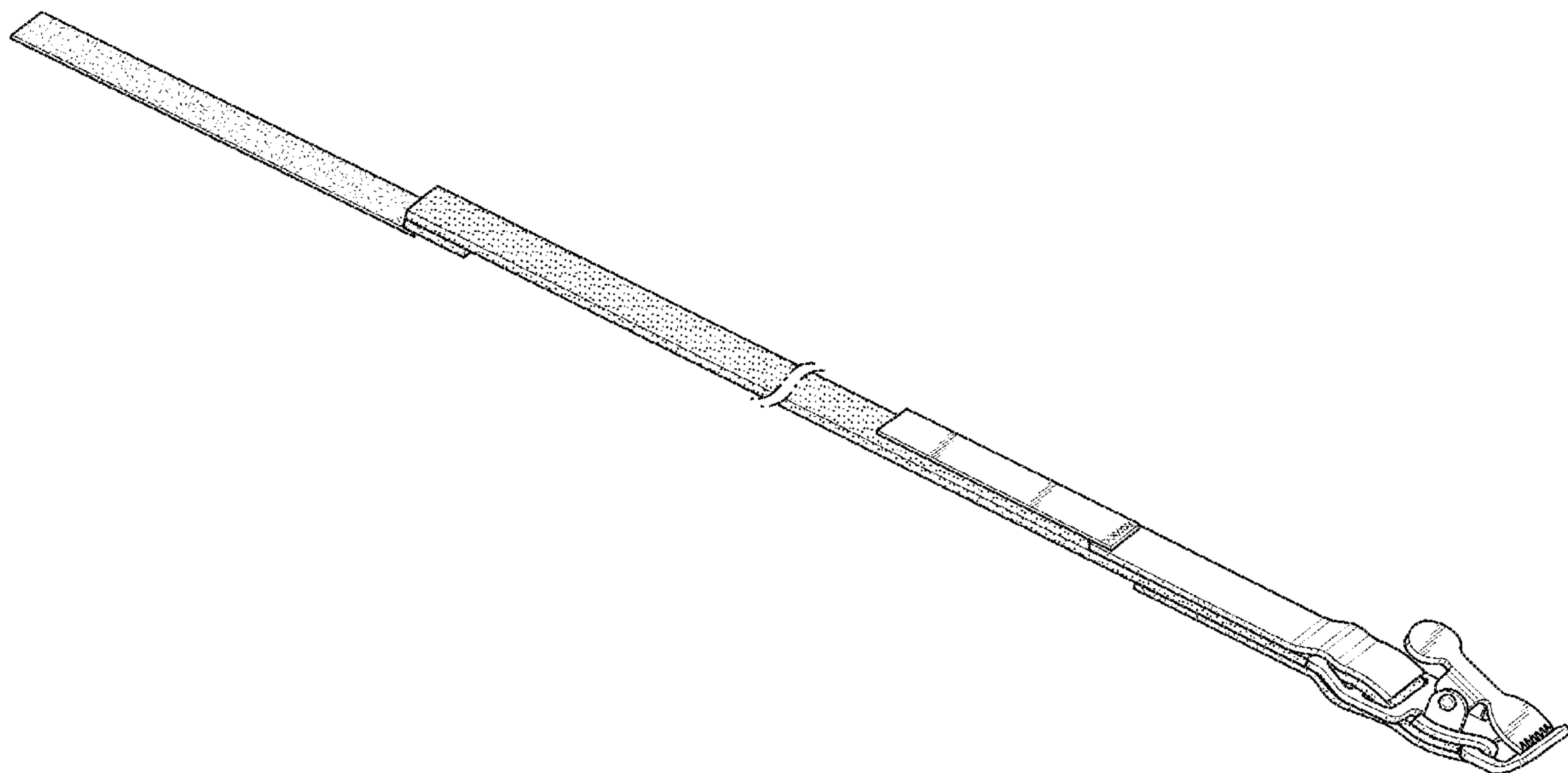
(57) **CLAIM**

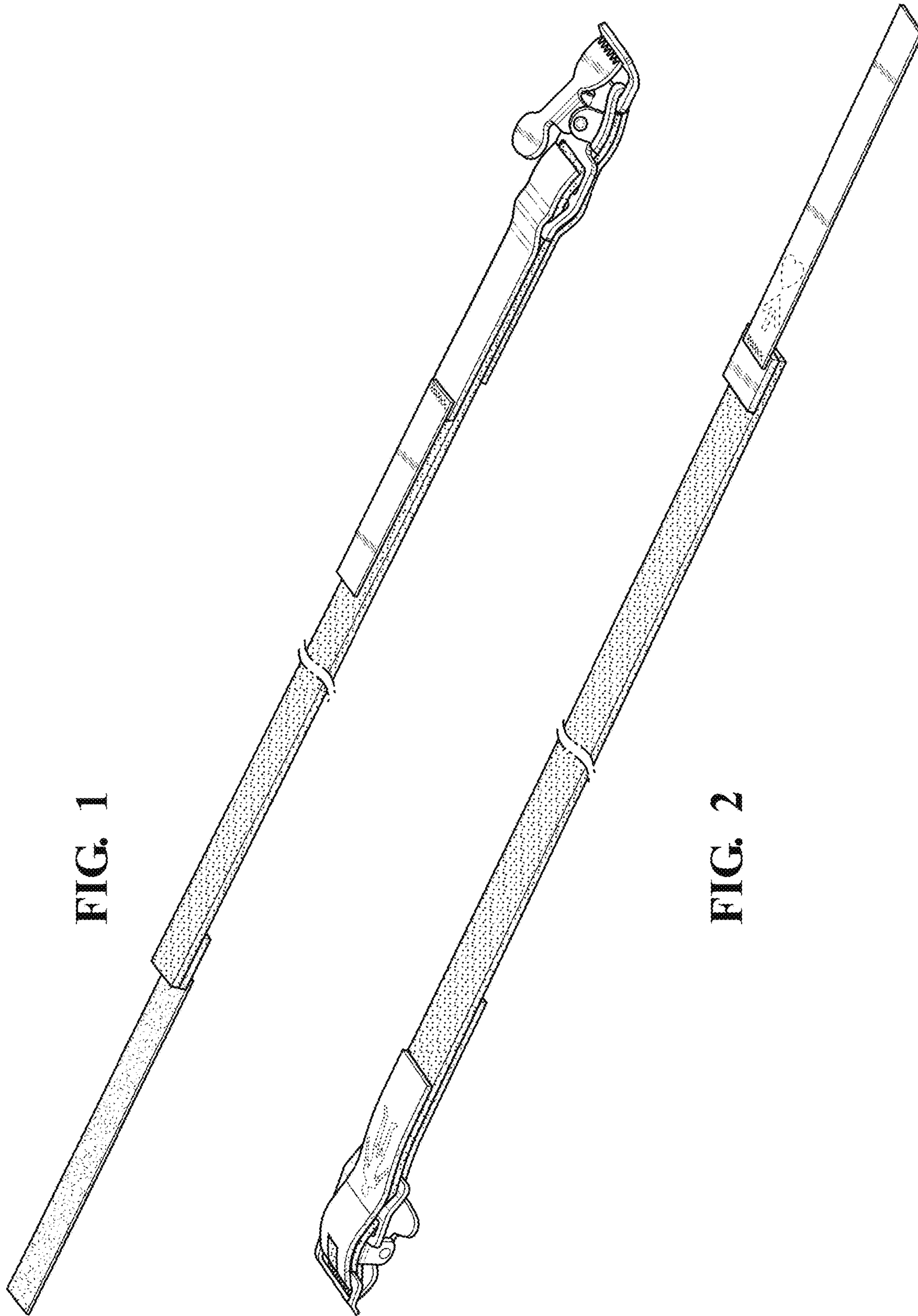
I claim the ornamental design for a tourniquet, as shown and described.

**DESCRIPTION**

FIG. 1 is a top perspective view of a tourniquet; FIG. 2 is a bottom perspective view thereof; FIG. 3 is an enlarged first end view thereof; FIG. 4 is an enlarged second end view thereof; FIG. 5 is a side elevational view thereof, the opposite side view being a mirror image; FIG. 6 is a top plan view thereof; and, FIG. 7 is a bottom plan view thereof.  
The tourniquet is shown with a symbolic break in its length. The appearance of any portion of the article between the break lines forms no part of the claimed design. The broken line showing of details in FIGS. 2 and 7 is included for the purpose of showing environmental portions of the design. No claim is made to the portions shown in broken line.

**1 Claim, 2 Drawing Sheets**





**FIG. 1**

**FIG. 2**

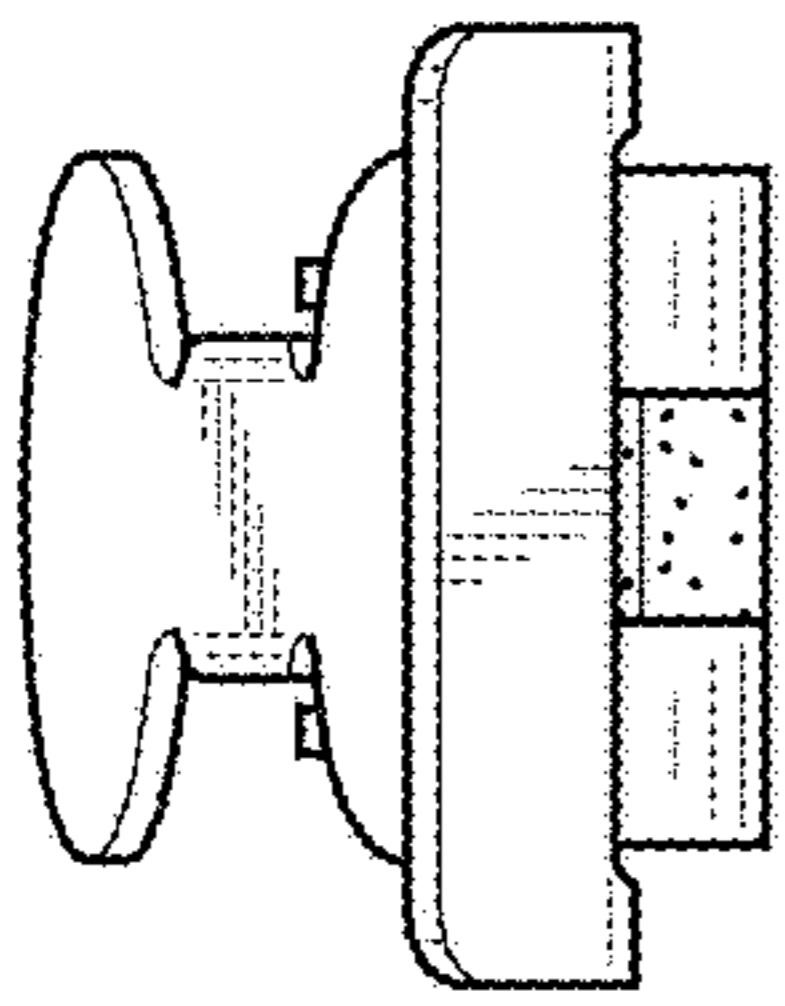


FIG. 3

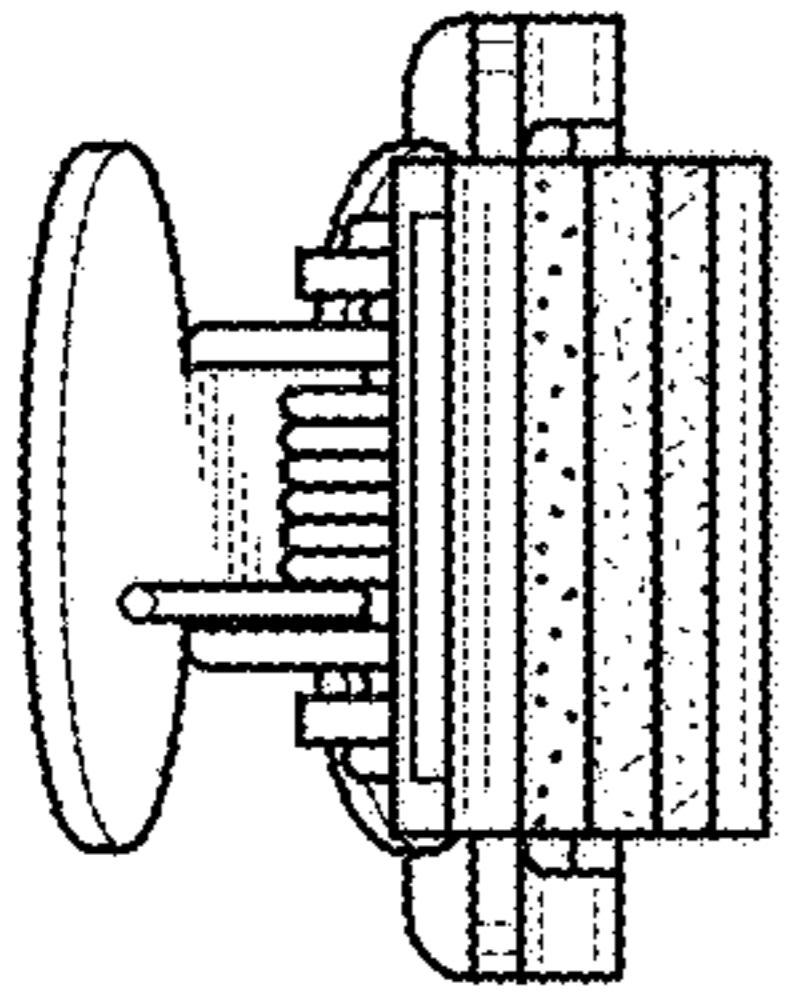


FIG. 4



FIG. 5

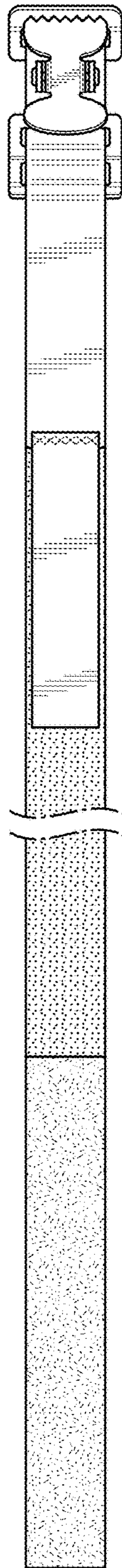


FIG. 6

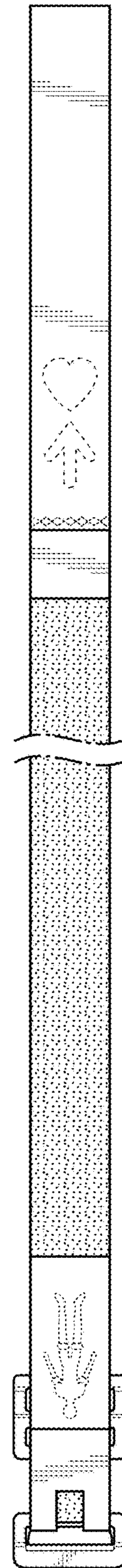


FIG. 7