



US00D824521S

(12) **United States Design Patent** (10) **Patent No.:** **US D824,521 S**  
**Adams et al.** (45) **Date of Patent:** **\*\* Jul. 31, 2018**

(54) **ULTRASOUND IMAGING ASSEMBLY**

(71) Applicant: **Mindray DS USA, Inc.**, Mahwah, NJ (US)

(72) Inventors: **Ishmael Adams**, Chicago, IL (US);  
**Luis Canas**, Randolph, MA (US);  
**Amanda Cowley**, Pittsburgh, PA (US);  
**Peter B. Schon**, New York, NY (US)

(73) Assignee: **Shenzhen Mindray Bio-Medical Electronics Co., Ltd.**, Shenzhen (CN)

(\*\*) Term: **15 Years**

(21) Appl. No.: **29/620,172**

(22) Filed: **Nov. 30, 2015**

**Related U.S. Application Data**

(62) Division of application No. 29/494,549, filed on Jun. 20, 2014, now Pat. No. Des. 769,448.

(51) **LOC (11) Cl.** ..... **24-01**

(52) **U.S. Cl.**  
USPC ..... **D24/158**

(58) **Field of Classification Search**  
USPC ..... D24/158-161, 185, 186, 107  
CPC .... A61B 8/13; A61B 8/44; A61B 8/42; A61B 8/46; A61B 8/54  
See application file for complete search history.

(56) **References Cited**

**U.S. PATENT DOCUMENTS**

D648,855 S \* 11/2011 Smith ..... D24/158  
D657,470 S \* 4/2012 Schon ..... D24/186

D687,147 S \* 7/2013 Yoshida ..... D24/185  
D696,783 S \* 12/2013 Chung ..... D24/185  
D699,852 S \* 2/2014 Chung ..... D24/158  
D708,341 S \* 7/2014 Ikegame ..... D24/185  
D712,042 S \* 8/2014 Chung ..... D24/185  
D712,540 S \* 9/2014 Hansen ..... D24/158  
D714,941 S \* 10/2014 Kim ..... D24/158  
D739,538 S \* 9/2015 Bernal ..... D24/185  
2014/0117635 A1 \* 5/2014 Ninomiya ..... A61B 8/4405  
280/35

\* cited by examiner

*Primary Examiner* — Anhdao Doan

(74) *Attorney, Agent, or Firm* — Kory D. Christensen; Polsinelli LLP

(57) **CLAIM**

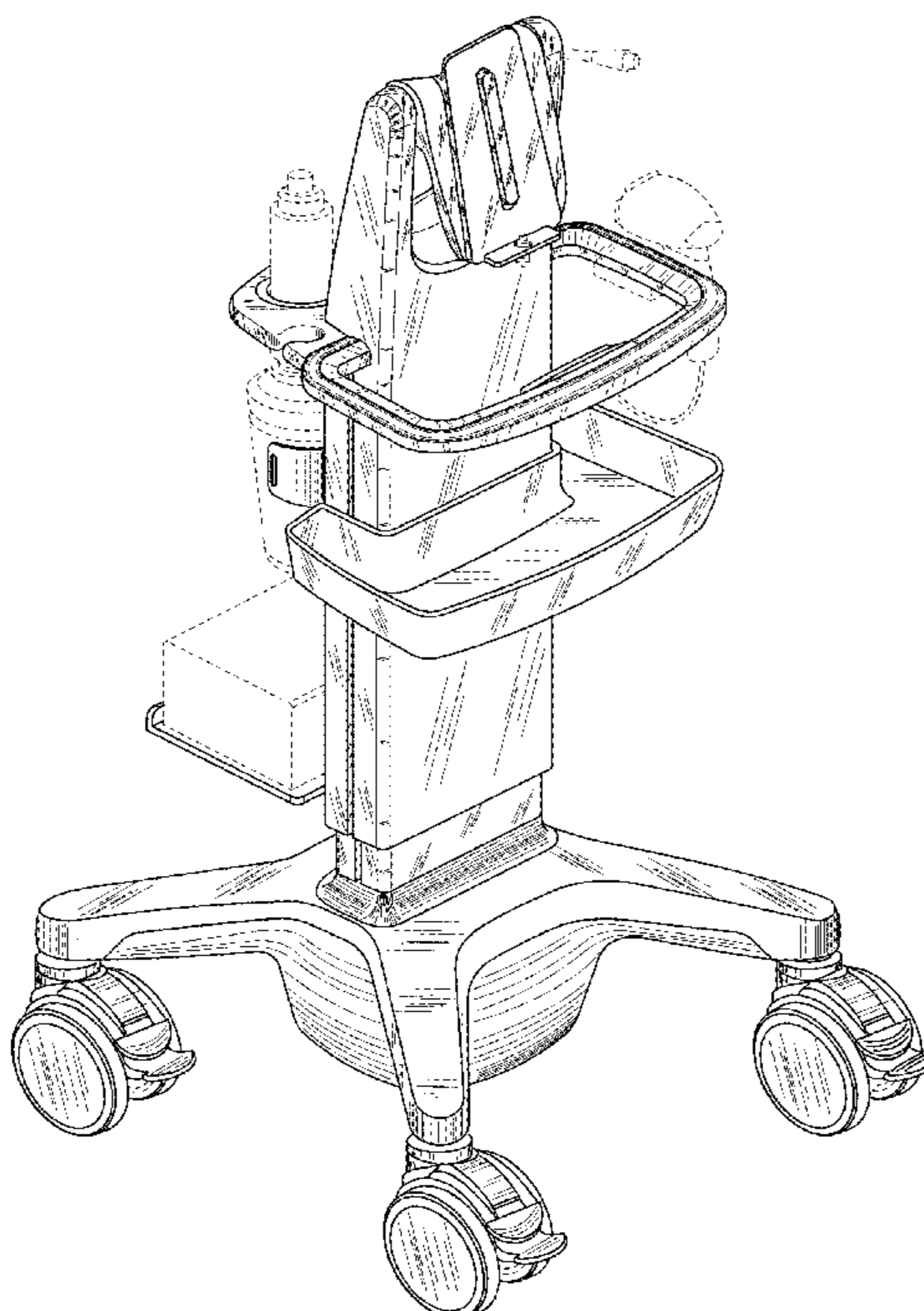
The ornamental design for an ultrasound imaging assembly, as shown and described.

**DESCRIPTION**

FIG. 1 is a front perspective of an embodiment of an ultrasound imaging assembly showing our new design; FIG. 2 is a bottom perspective view thereof; FIG. 3 is a rear elevation view thereof; FIG. 4 is a front elevation view thereof; FIG. 5 is a side elevation view thereof; FIG. 6 is a side elevation view thereof; FIG. 7 is a top plan view thereof; and, FIG. 8 is a bottom plan view thereof.

Any broken lines immediately adjacent the shaded areas represent the bounds of the claimed design, while all other broken lines are directed to environment and are for illustrative purposes only; broken lines form no part of the claimed design.

**1 Claim, 8 Drawing Sheets**



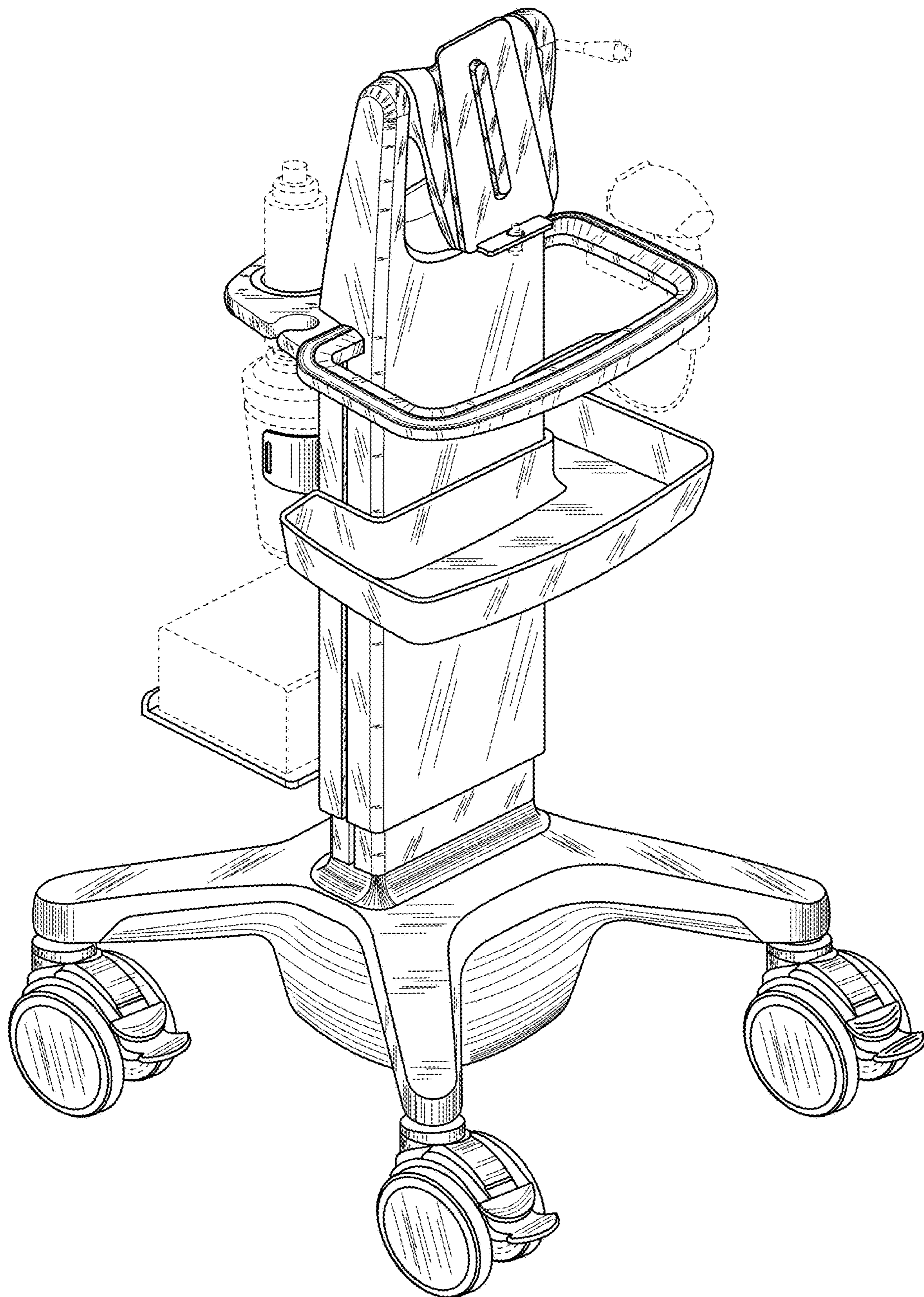


FIG. 1

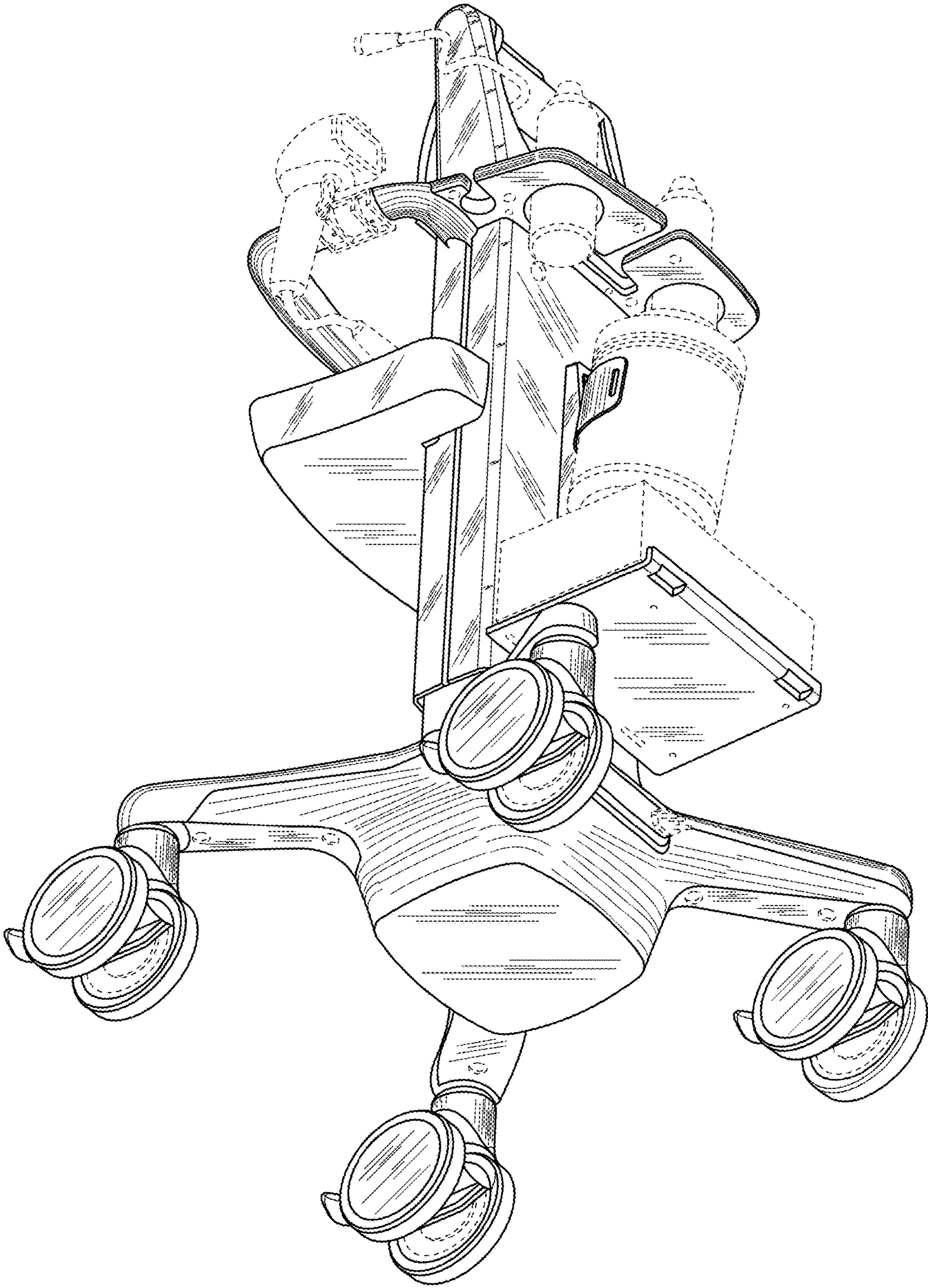


FIG. 2

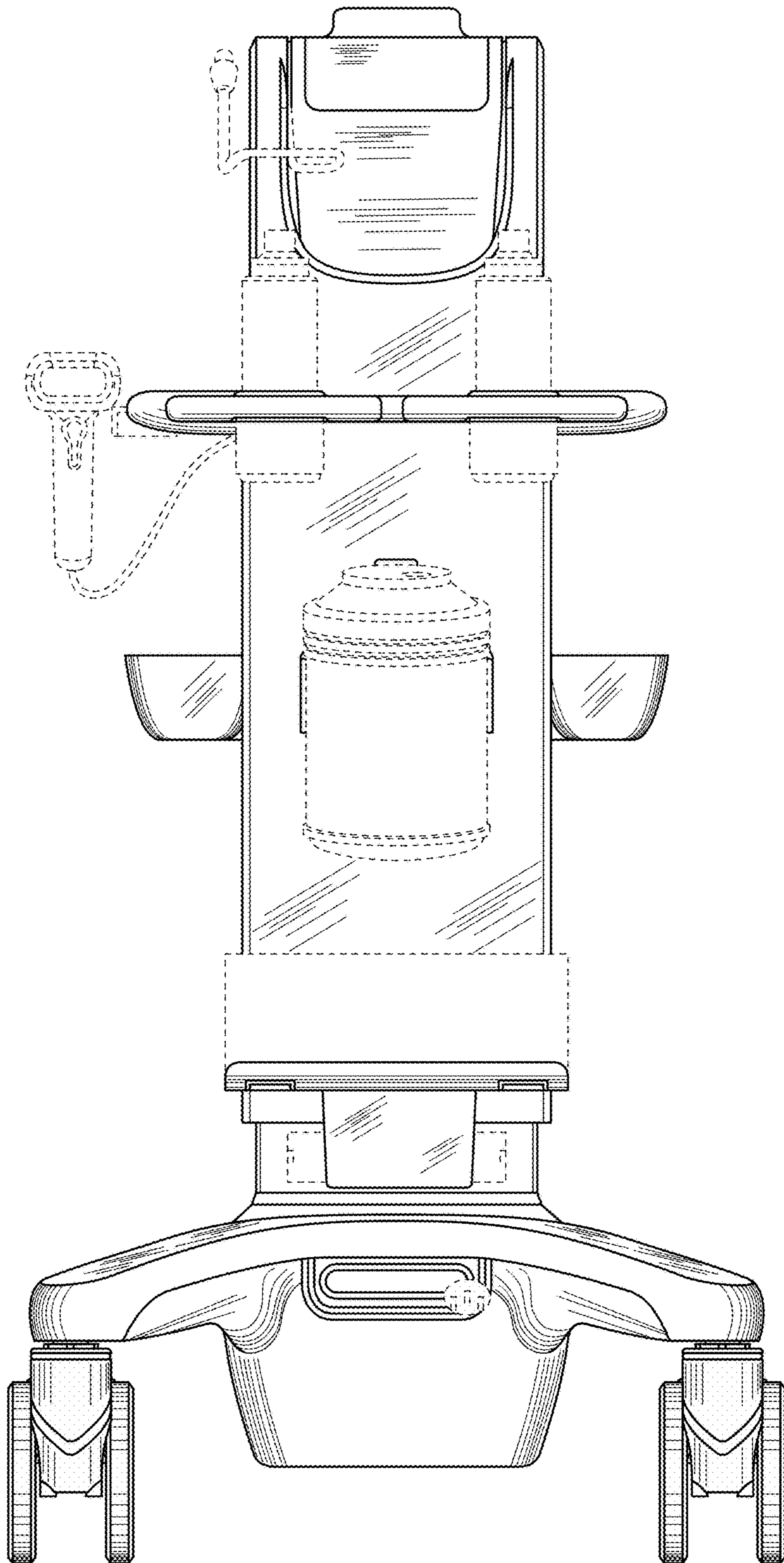


FIG. 3

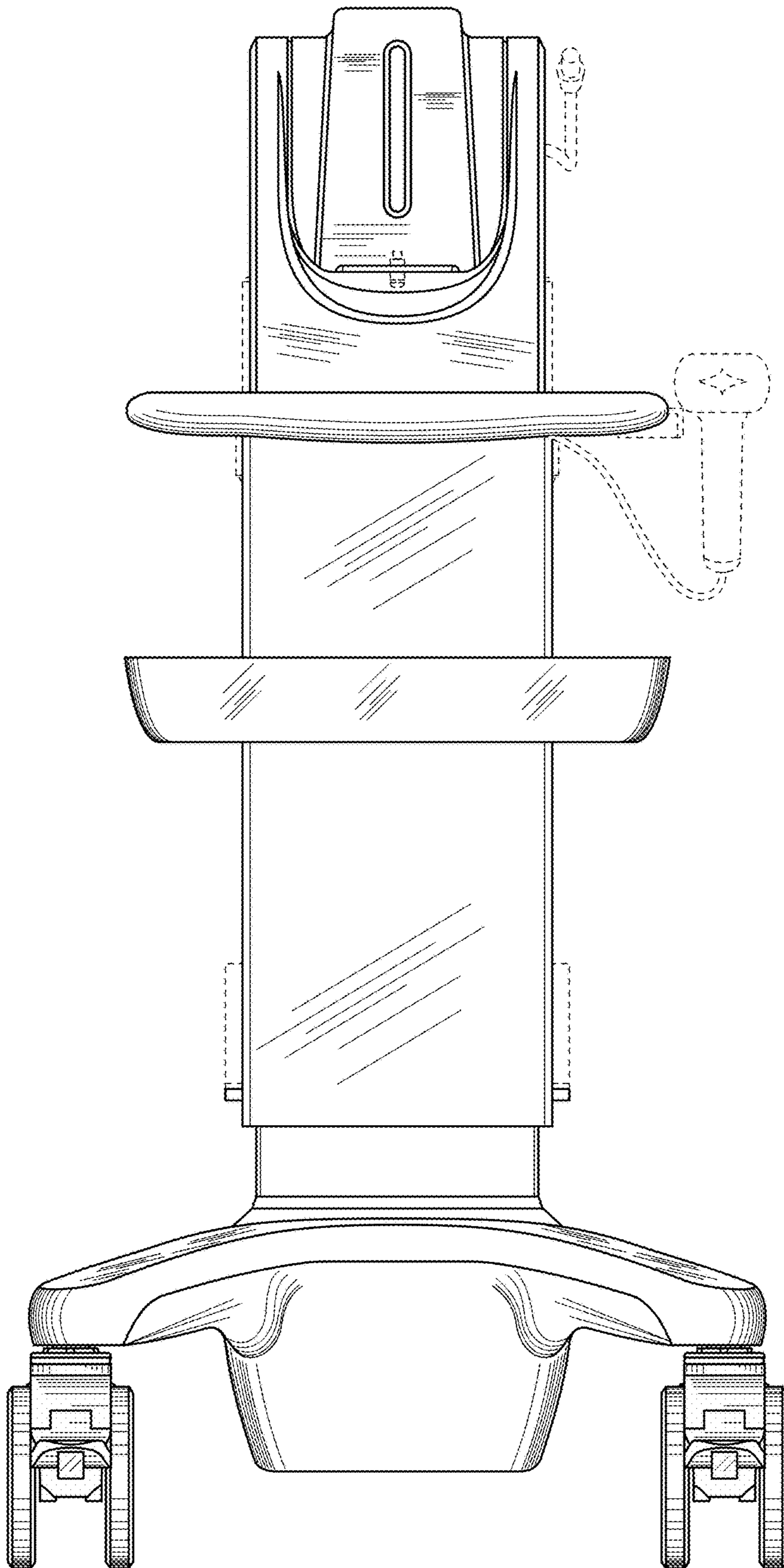


FIG. 4

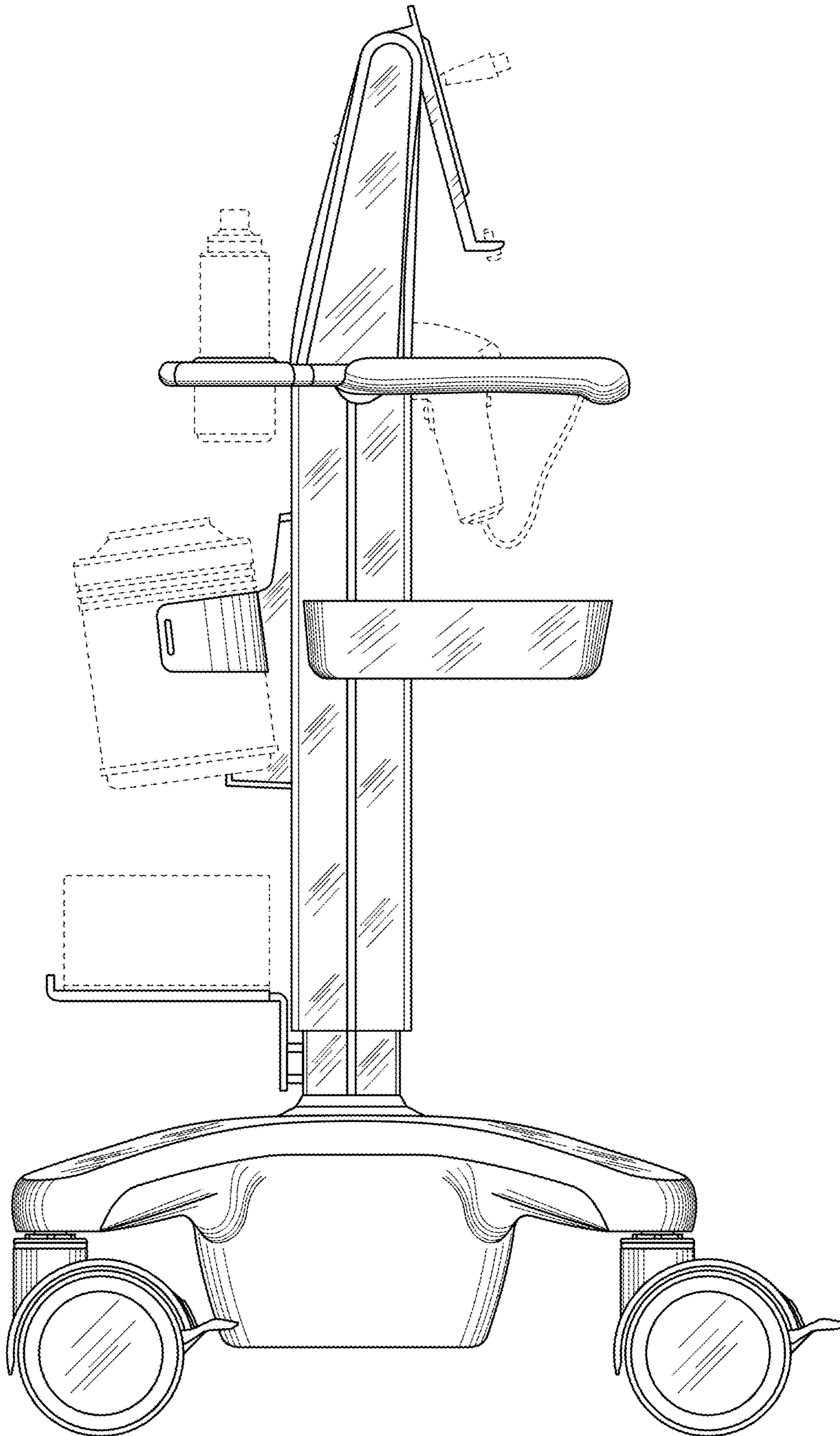


FIG. 5

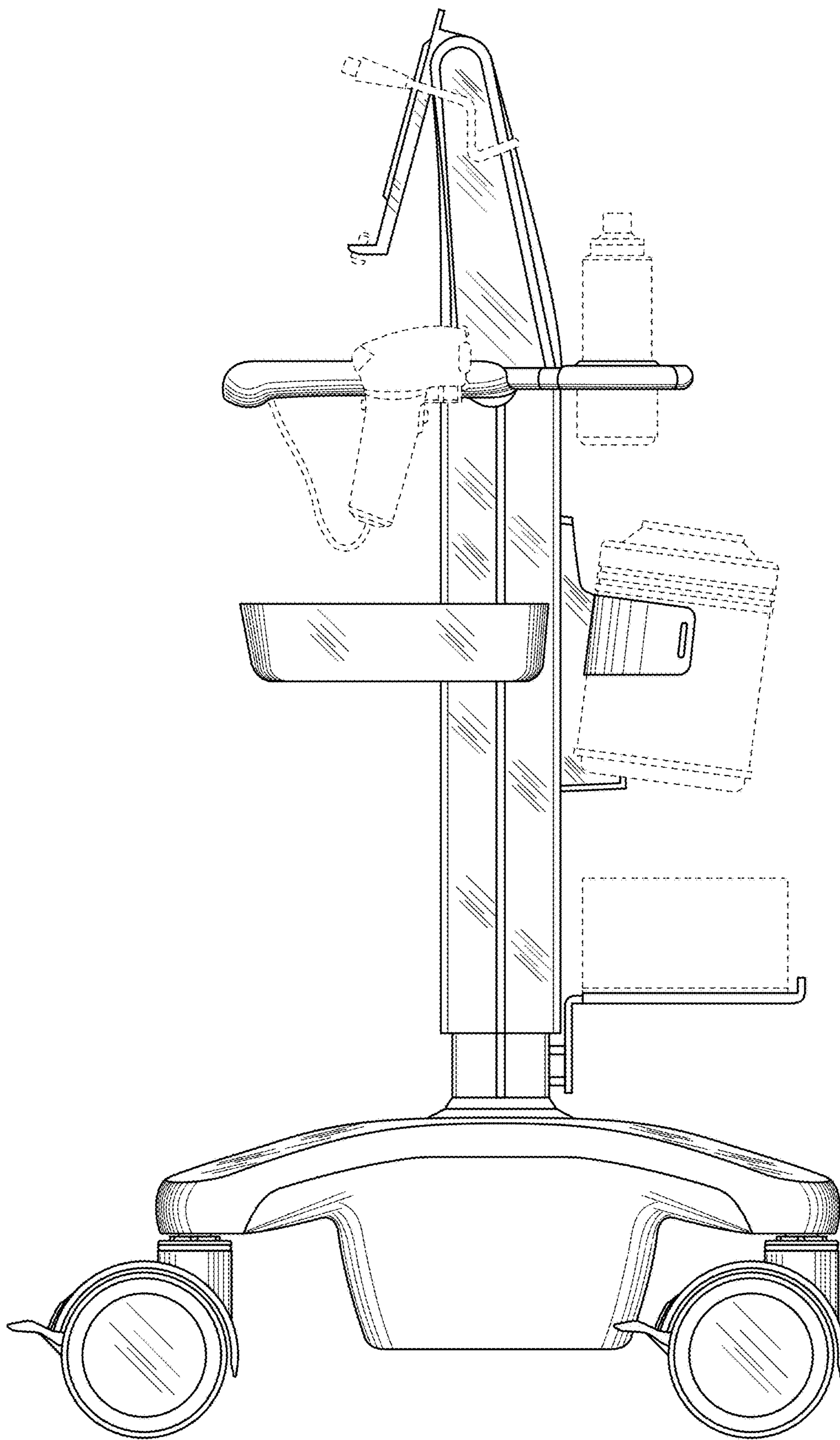


FIG. 6

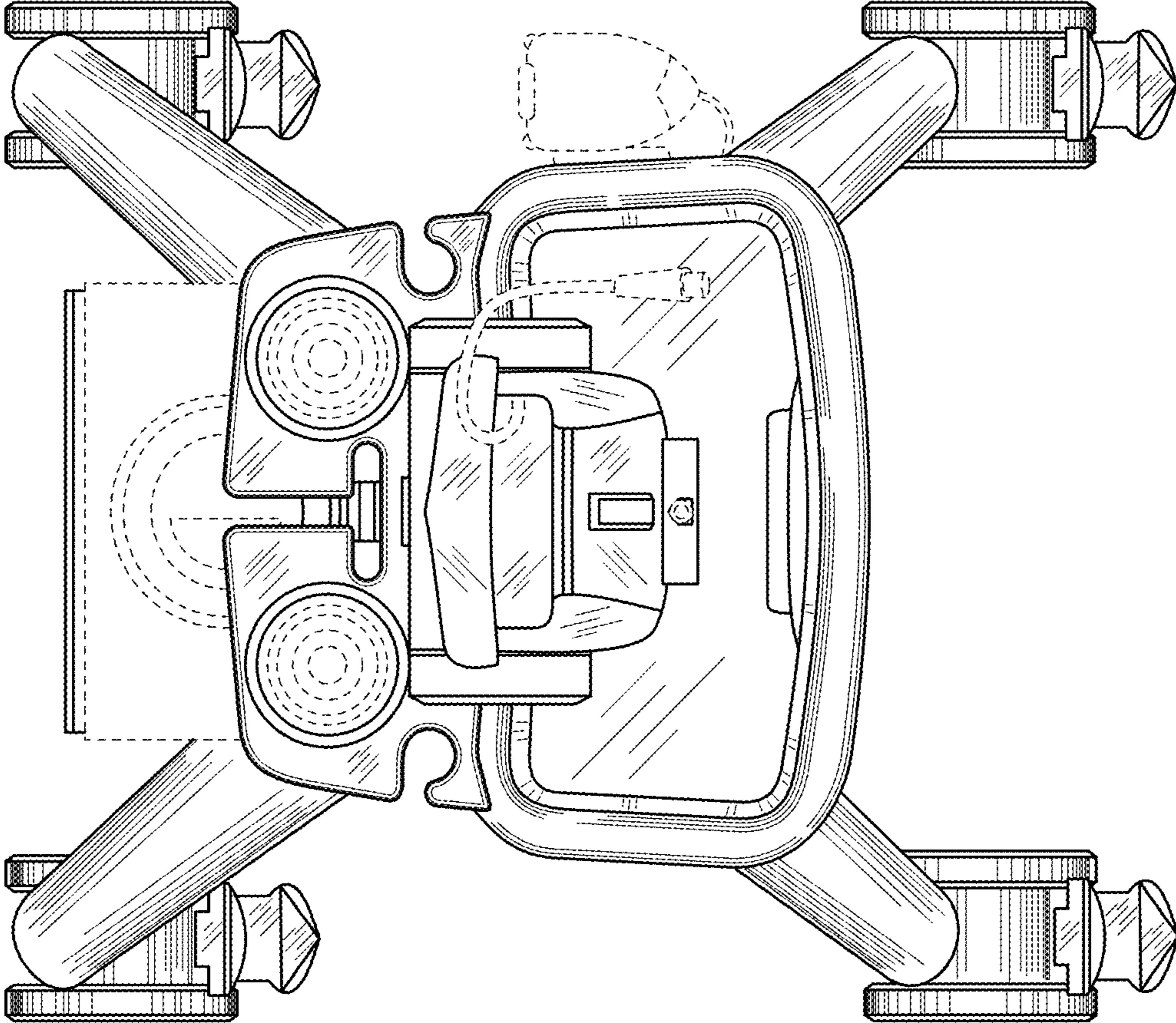


FIG. 7



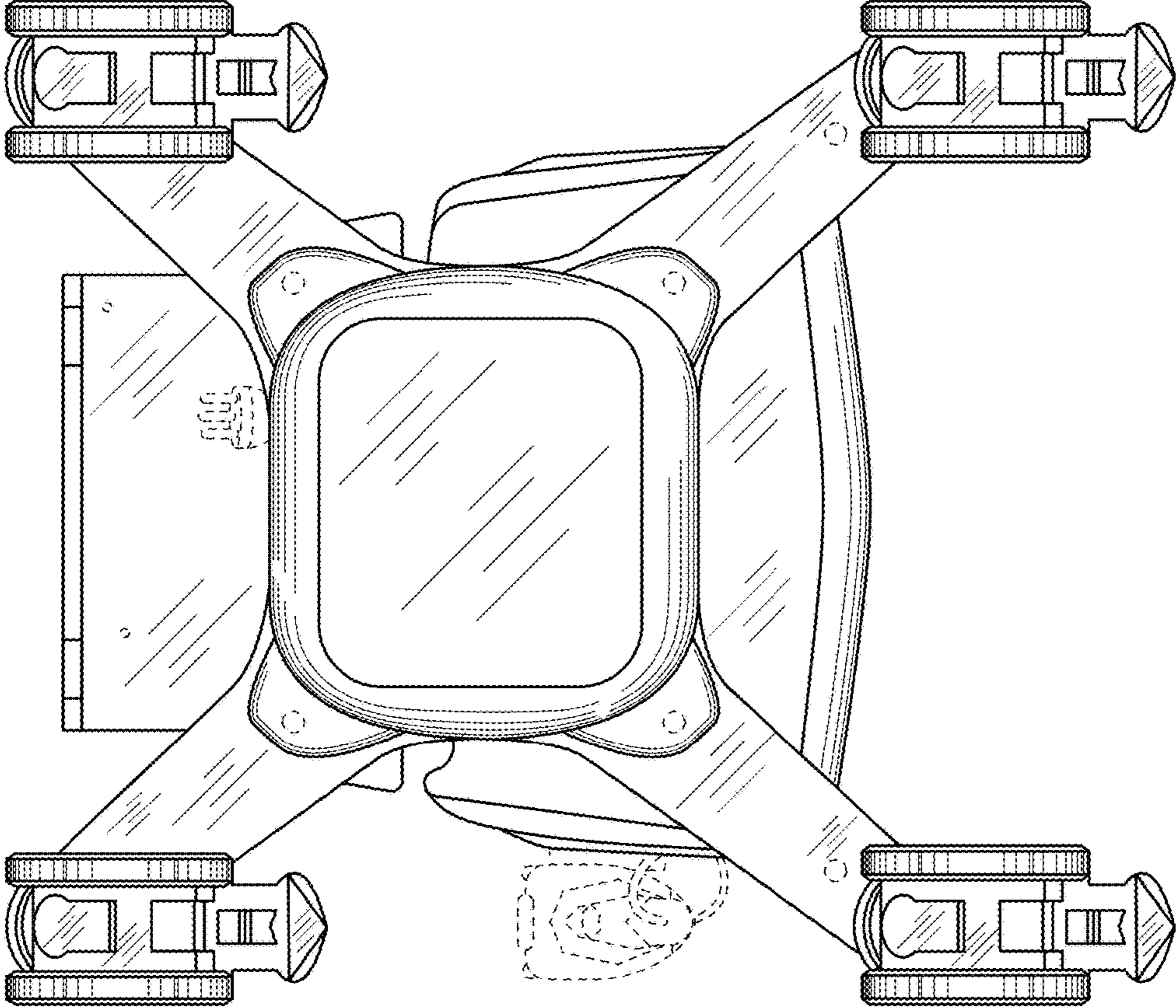


FIG. 8