



US00D824520S

(12) **United States Design Patent**  
**Smith et al.**

(10) **Patent No.:** **US D824,520 S**  
(45) **Date of Patent:** **\*\* Jul. 31, 2018**

(54) **X-RAY MARKER**  
(71) Applicant: **XRAYDEPOT LLC**, Stafford, VA (US)  
(72) Inventors: **Van N. Smith**, Stafford, VA (US);  
**Kasey Smith**, Stafford, VA (US)  
(73) Assignee: **XRAYDEPOT LLC**, Stafford, VA (US)  
(\*\*) Term: **15 Years**  
(21) Appl. No.: **29/604,463**  
(22) Filed: **May 17, 2017**  
(51) **LOC (11) Cl.** ..... **24-01**  
(52) **U.S. Cl.**  
USPC ..... **D24/158**  
(58) **Field of Classification Search**  
USPC ..... D24/158-161, 186, 187, 231, 140;  
D8/394  
CPC ..... G03B 42/042; A61B 2090/392; A61B  
2090/3937; A61B 2090/3929; A61B  
2090/395; A61B 2090/3966; A61N  
5/1051  
See application file for complete search history.

5,640,438 A \* 6/1997 Talluto ..... G03B 42/047  
378/162  
D415,566 S \* 10/1999 Joyner ..... D24/158  
D424,198 S \* 5/2000 Shepherd ..... D24/158  
D697,786 S \* 1/2014 McMahon ..... D8/383  
D773,667 S \* 12/2016 Morfa ..... D24/158

\* cited by examiner

*Primary Examiner* — Anhdao Doan

(74) *Attorney, Agent, or Firm* — Charisse L. Hines, Esq.

(57) **CLAIM**

The ornamental design for an x-ray marker, as shown and described.

**DESCRIPTION**

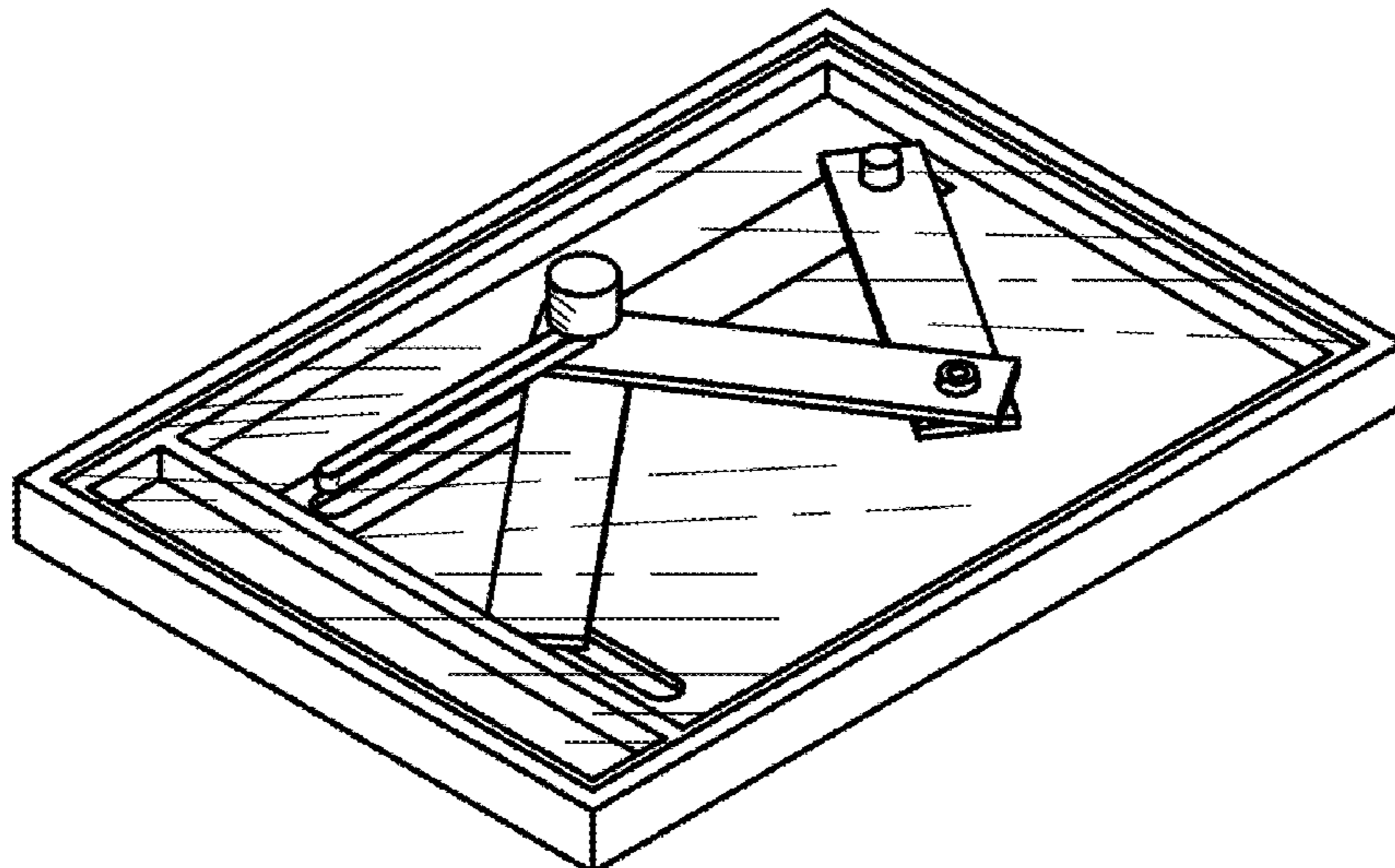
FIG. 1 is a right side perspective view of an x-ray marker showing our new design;  
FIG. 2 is a right side perspective view of FIG. 1 shown in an alternate position;  
FIG. 3 is a front elevational view thereof;  
FIG. 4 is a front elevational view of FIG. 3 shown in an alternate position;  
FIG. 5 is a rear elevational view thereof;  
FIG. 6 is a left side elevational view thereof;  
FIG. 7 is a left side elevational view of FIG. 6 shown in an alternate position;  
FIG. 8 is a right side elevational view thereof;  
FIG. 9 is a right side elevational view of FIG. 8 shown in an alternate position;  
FIG. 10 is a top plan view thereof; and,  
FIG. 11 is a bottom plan view thereof.

(56) **References Cited**

**U.S. PATENT DOCUMENTS**

2,018,175 A \* 10/1935 Knight ..... G03B 42/047  
378/165  
4,127,774 A \* 11/1978 Gillen ..... G03B 42/047  
378/162  
4,429,412 A \* 1/1984 Pierce ..... G03B 42/047  
378/165  
4,543,091 A \* 9/1985 Froning ..... A61B 90/39  
248/297.51  
5,592,527 A \* 1/1997 Ray ..... G03B 42/047  
378/162

**1 Claim, 3 Drawing Sheets**



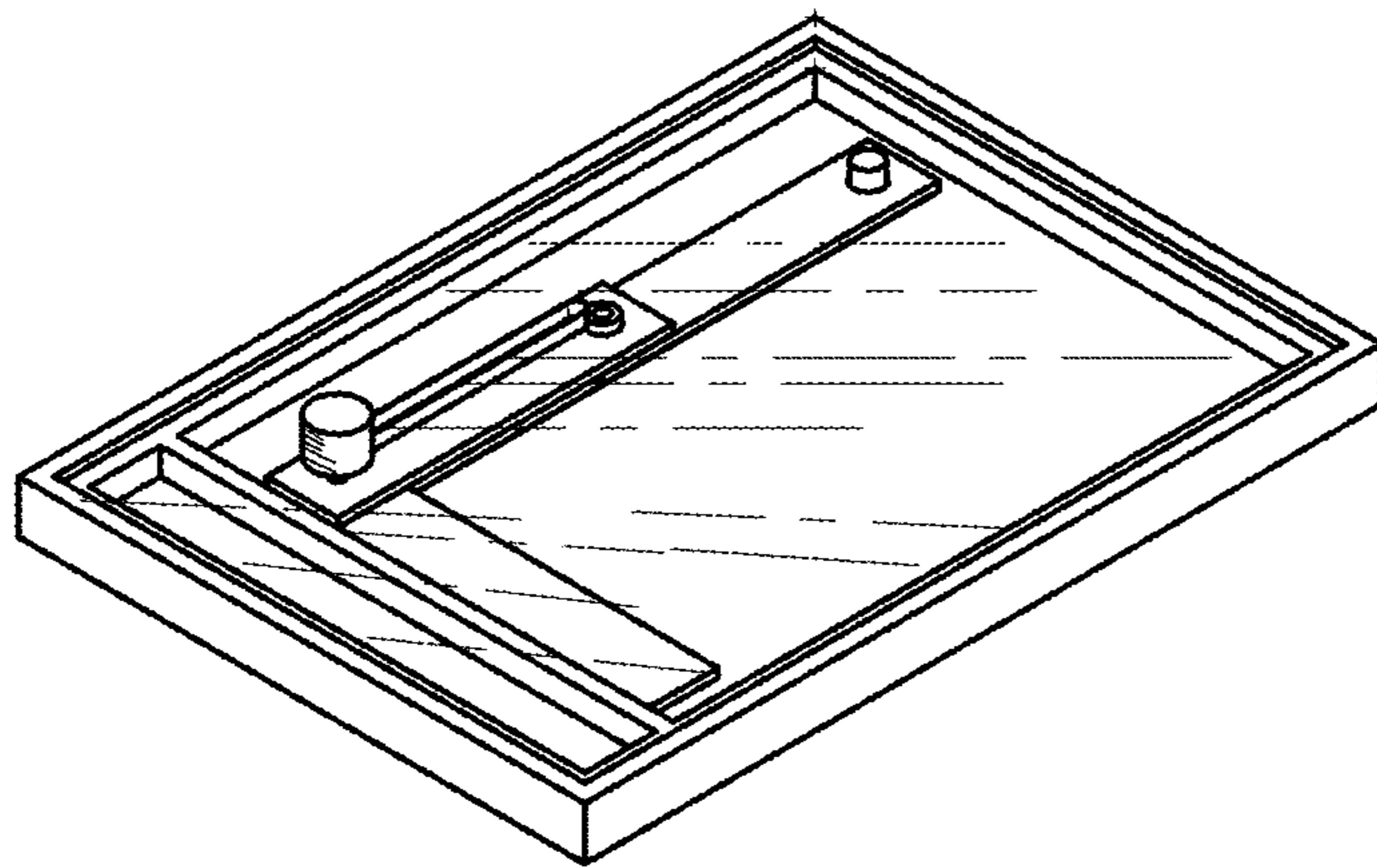


FIG. 1

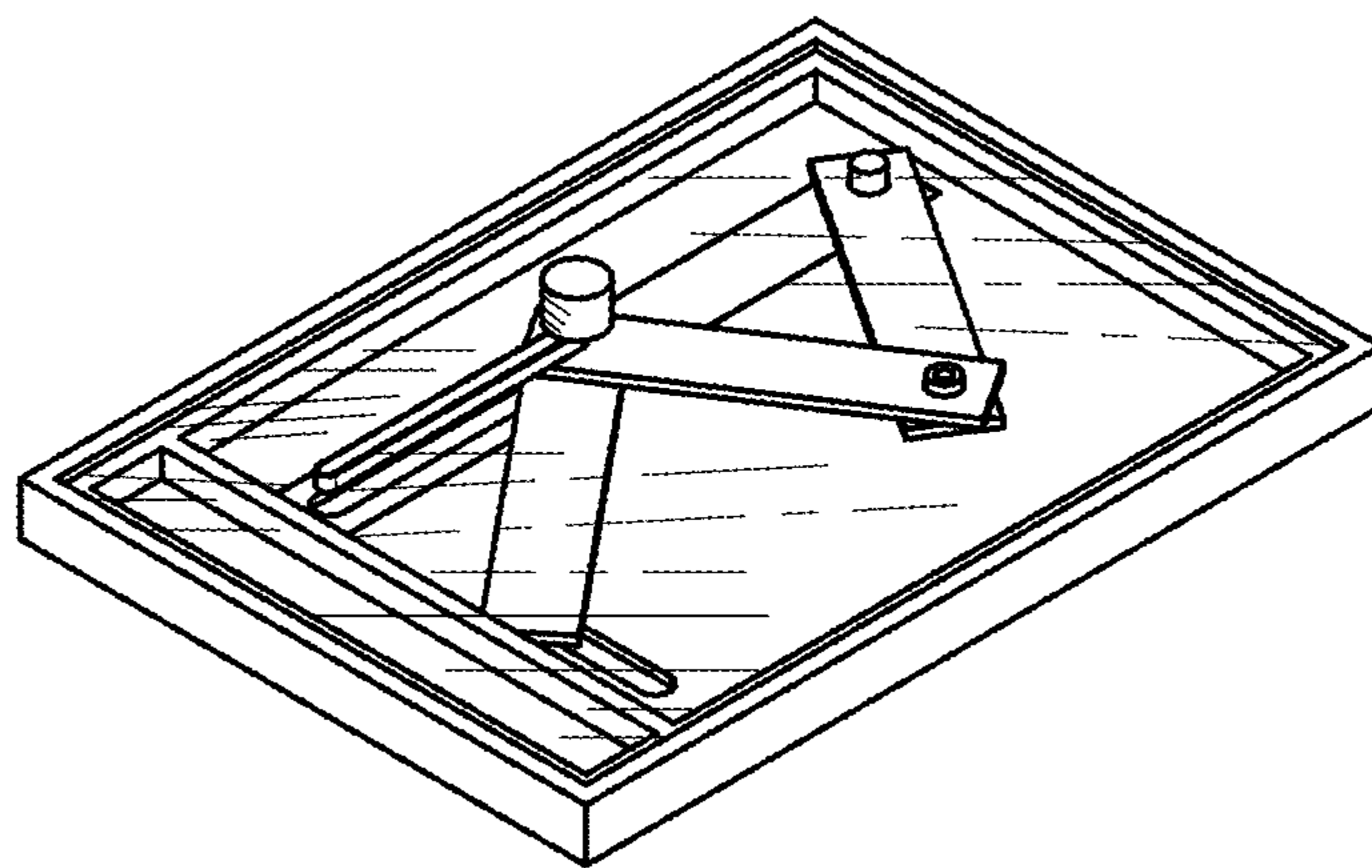


FIG. 2

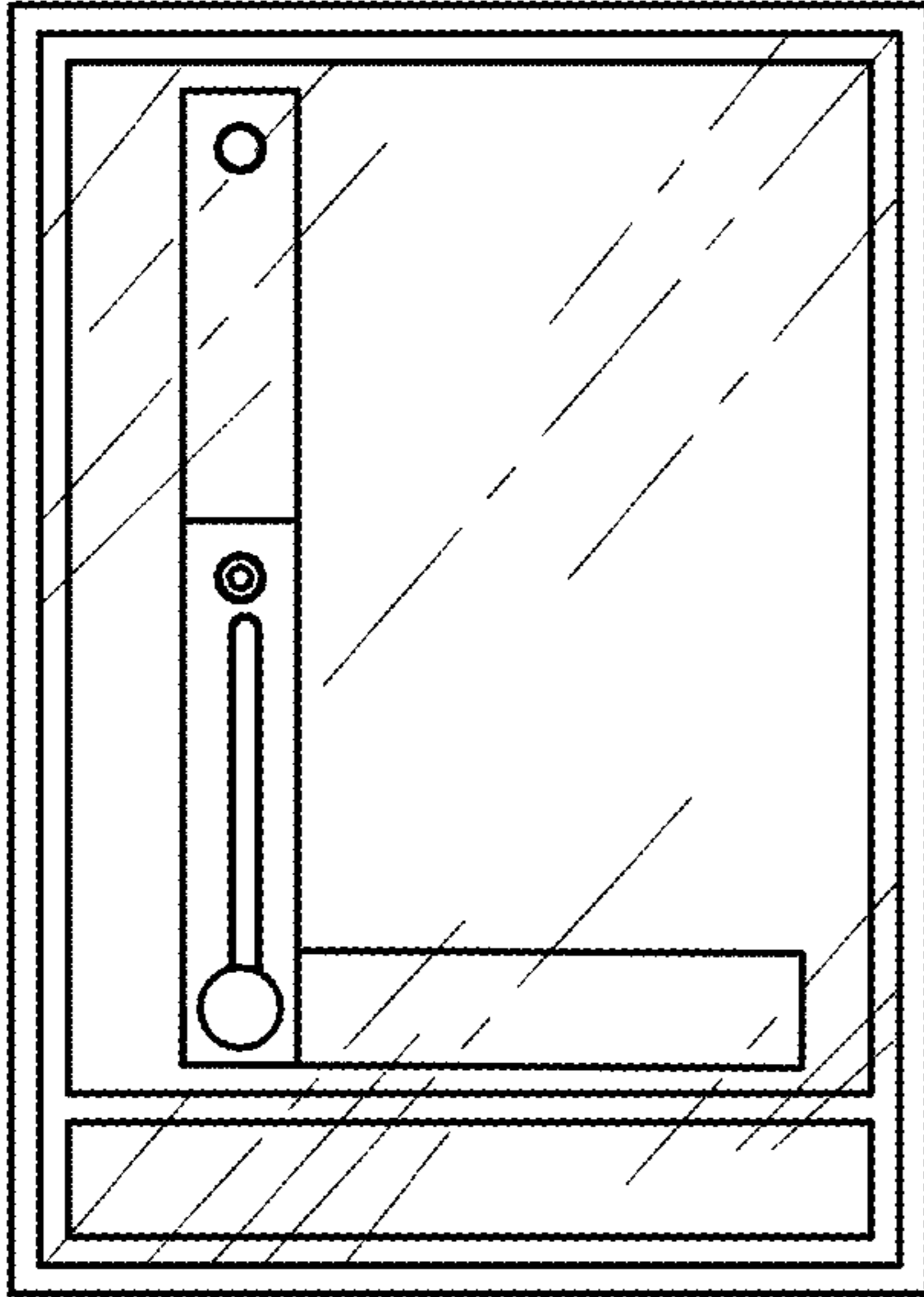


FIG. 3

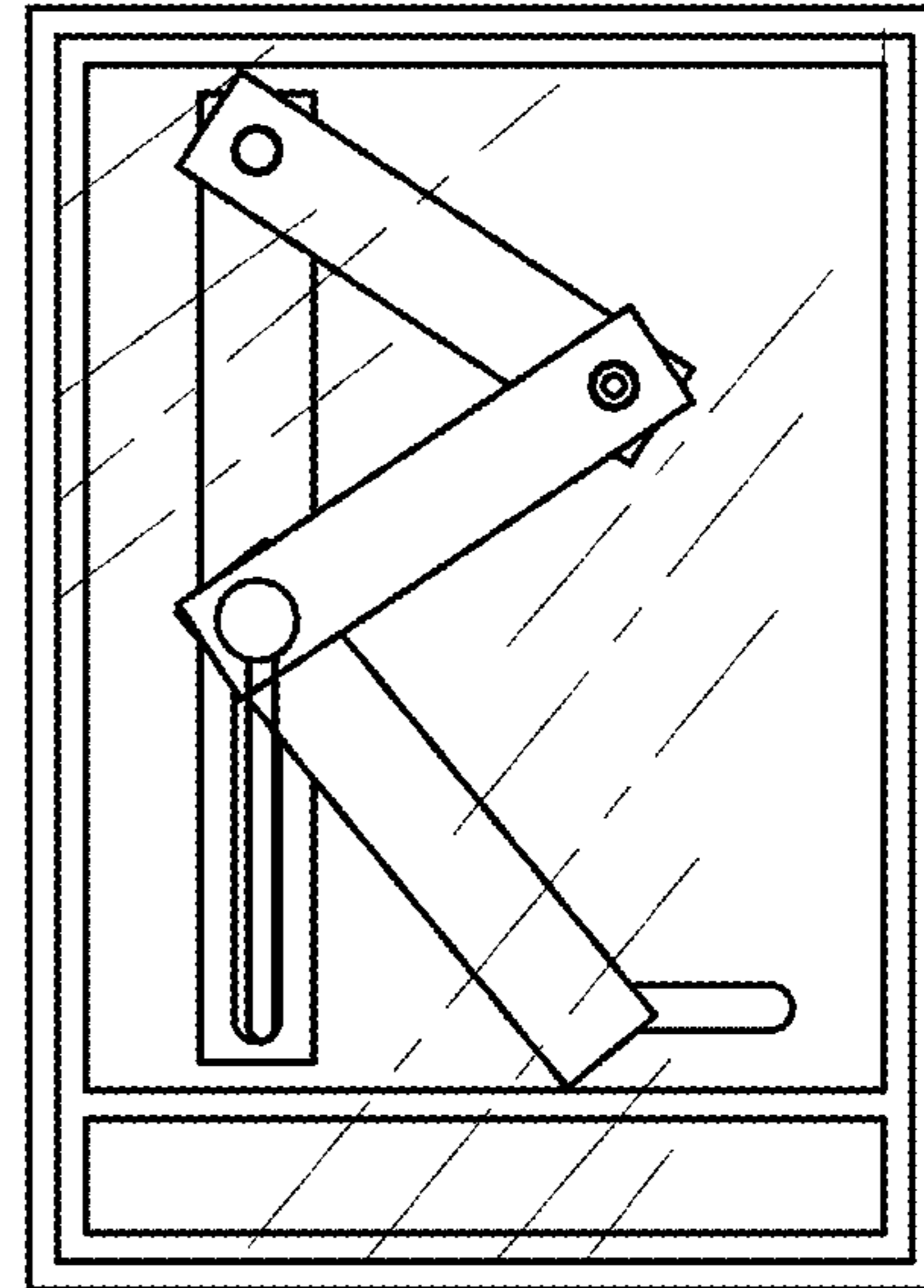


FIG. 4

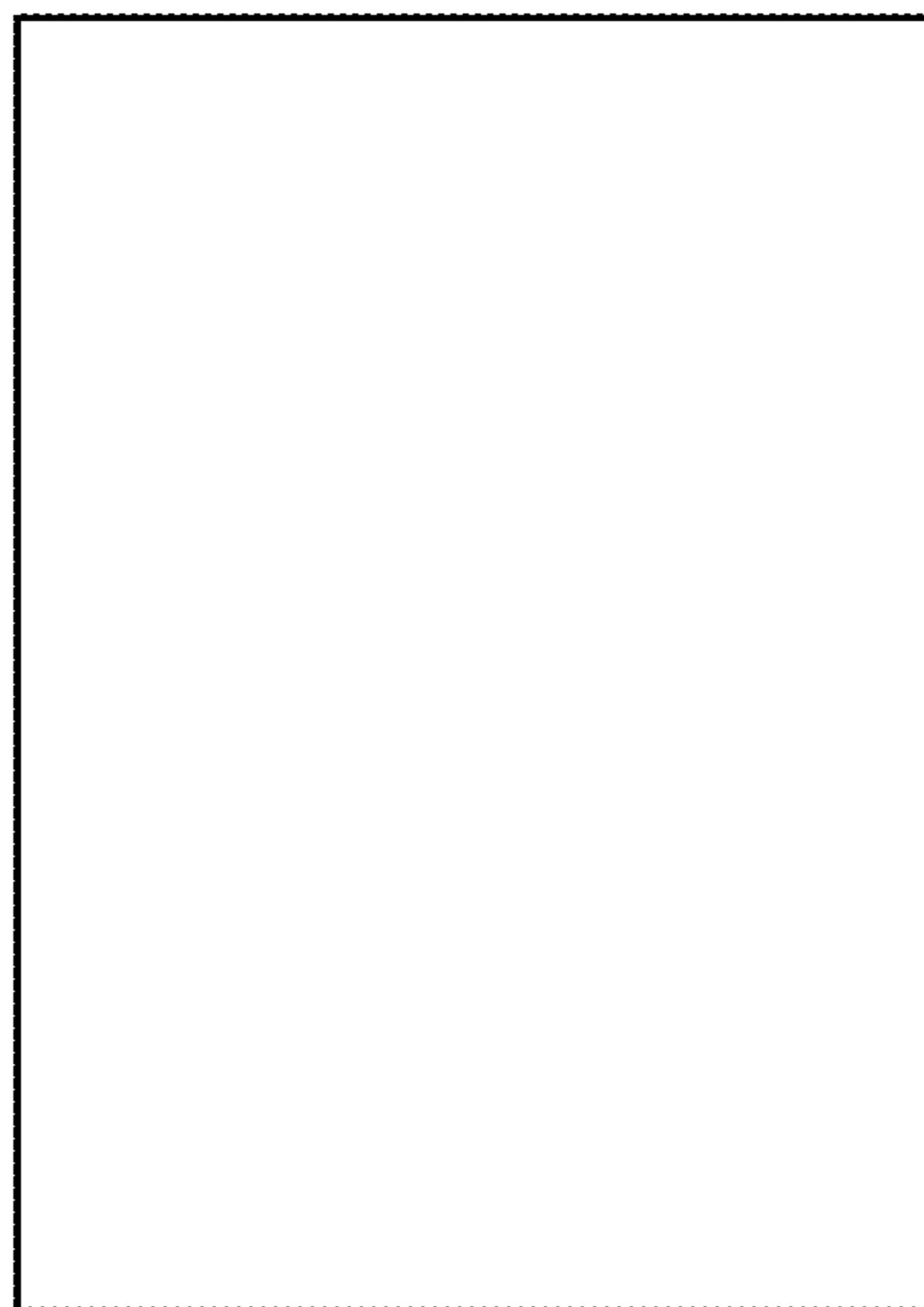


FIG. 5

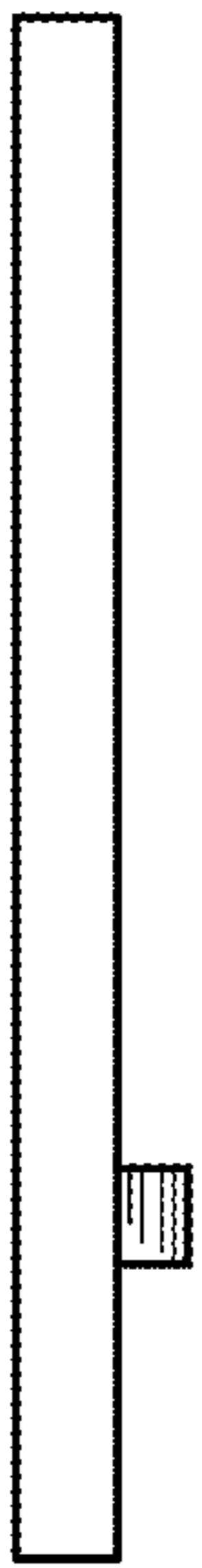


FIG. 6

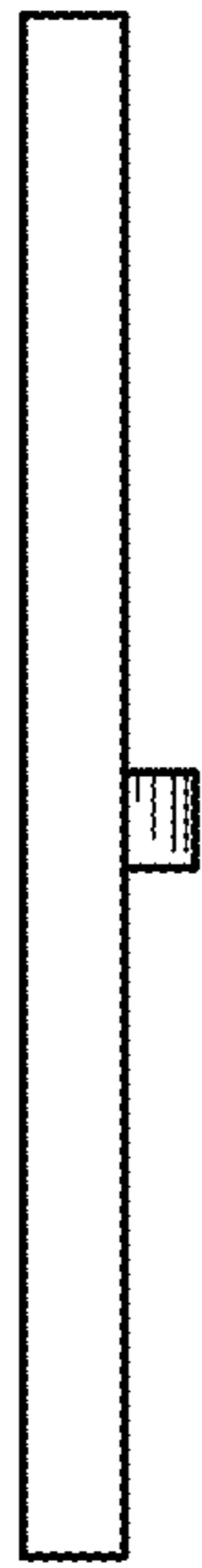


FIG. 7



FIG. 8



FIG. 9

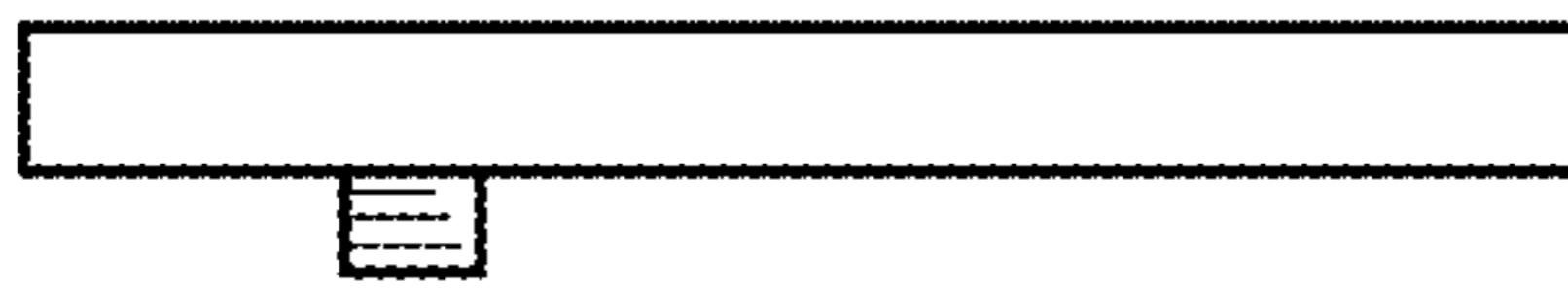


FIG. 10



FIG. 11