

US00D824519S

(12) **United States Design Patent** (10) **Patent No.:** **US D824,519 S**
Smith et al. (45) **Date of Patent:** **** Jul. 31, 2018**

(54) **X-RAY MARKER WITH A SWIVEL**

(71) Applicant: **XRAYDEPOT LLC**, Stafford, VA (US)

(72) Inventors: **Van N. Smith**, Stafford, VA (US);
Kasey Smith, Stafford, VA (US)

(73) Assignee: **XRAYDEPOT LLC**, Stafford, VA (US)

(**) Term: **15 Years**

(21) Appl. No.: **29/604,443**

(22) Filed: **May 17, 2017**

(51) **LOC (11) Cl.** **24-01**

(52) **U.S. Cl.**
USPC **D24/158**

(58) **Field of Classification Search**
USPC D24/158-161, 186, 187, 231, 140;
D8/394

(Continued)

(56) **References Cited**

U.S. PATENT DOCUMENTS

2,018,175 A * 10/1935 Knight G03B 42/047
378/165
4,127,774 A * 11/1978 Gillen G03B 42/047
378/162

(Continued)

Primary Examiner — Anhdao Doan

(74) *Attorney, Agent, or Firm* — Charisse L. Hines, Esq.

(57) **CLAIM**

The ornamental design for an x-ray marker with a swivel, as shown and described.

DESCRIPTION

FIG. 1 is a left side perspective view of an x-ray marker with a swivel showing our new design;

FIG. 2 is a left side perspective view of FIG. 1 shown in an alternate position;

FIG. 3 is a left side perspective view of FIG. 1 shown in an alternate position;

FIG. 4 is a left side perspective view of FIG. 1 shown in an alternate position;

FIG. 5 is a rear perspective view thereof;

FIG. 6 is a rear perspective view of FIG. 5 shown in an alternate position;

FIG. 7 is a rear perspective view of FIG. 5 shown in an alternate position;

FIG. 8 is a rear perspective view of FIG. 5 shown in an alternate position;

FIG. 9 is a front elevational view thereof;

FIG. 10 is a front elevational view of FIG. 9 shown in an alternate position;

FIG. 11 is a front elevational view of FIG. 9 shown in an alternate position;

FIG. 12 is a front elevational view of FIG. 9 shown in an alternate position;

FIG. 13 is a rear elevational view thereof;

FIG. 14 is a rear elevational view of FIG. 13 shown in an alternate position;

FIG. 15 is a rear elevational view of FIG. 13 shown in an alternate position;

FIG. 16 is a left side elevational view thereof;

FIG. 17 is a left side elevational view of FIG. 16 shown in an alternate position;

FIG. 18 is a left side elevational view of FIG. 16 shown in an alternate position;

FIG. 19 is a right side elevational view thereof;

FIG. 20 is a right side elevational view of FIG. 19 shown in an alternate position;

FIG. 21 is a right side elevational view of FIG. 19 shown in an alternate position;

FIG. 22 is an enlarged top plan view thereof;

FIG. 23 is an enlarged top plan view of FIG. 22 shown in an alternate position;

FIG. 24 is an enlarged top plan view of FIG. 22 shown in an alternate position;

FIG. 25 is an enlarged top plan view of FIG. 22 shown in an alternate position;

FIG. 26 is an enlarged bottom plan view thereof;

FIG. 27 is an enlarged bottom plan view of FIG. 26 shown in an alternate position;

(Continued)

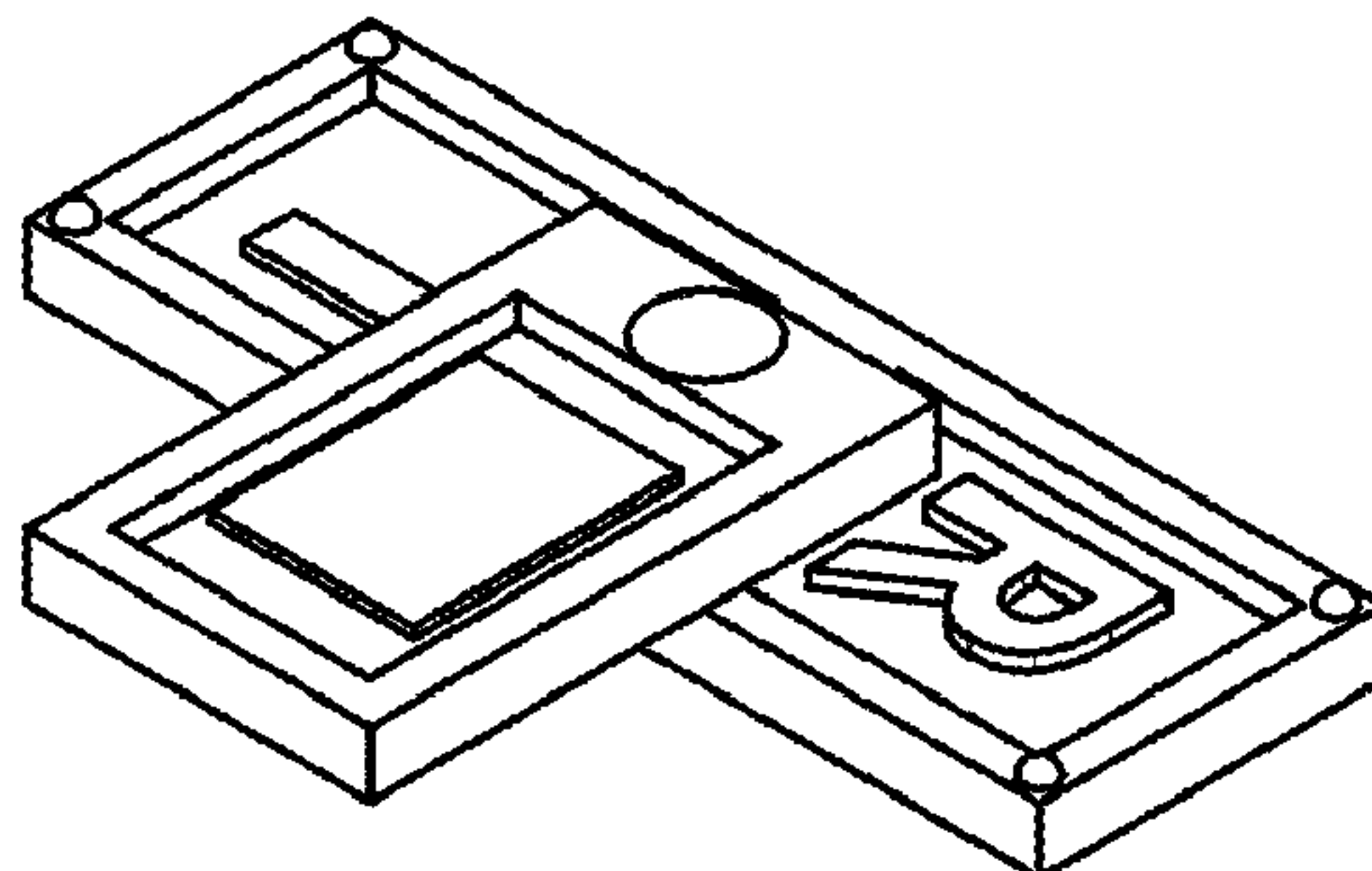


FIG. 28 is an enlarged bottom plan view of FIG. 26 shown in an alternate position; and,

FIG. 29 is an enlarged bottom plan view of FIG. 26 shown in an alternate position.

1 Claim, 7 Drawing Sheets

(58) **Field of Classification Search**

CPC G03B 42/042; A61B 2090/392; A61B
2090/3937; A61B 2090/3929; A61B
2090/395; A61B 2090/3966; A61N
5/1051

See application file for complete search history.

(56) **References Cited**

U.S. PATENT DOCUMENTS

4,429,412 A * 1/1984 Pierce G03B 42/047
378/165
4,543,091 A * 9/1985 Froning A61B 90/39
248/297.51
5,592,527 A * 1/1997 Ray G03B 42/047
378/162
5,640,438 A * 6/1997 Talluto G03B 42/047
378/162
D415,566 S * 10/1999 Joyner D24/158
D424,198 S * 5/2000 Shepherd D24/158
D697,786 S * 1/2014 McMahon D8/383
D773,667 S * 12/2016 Morfa D24/158

* cited by examiner

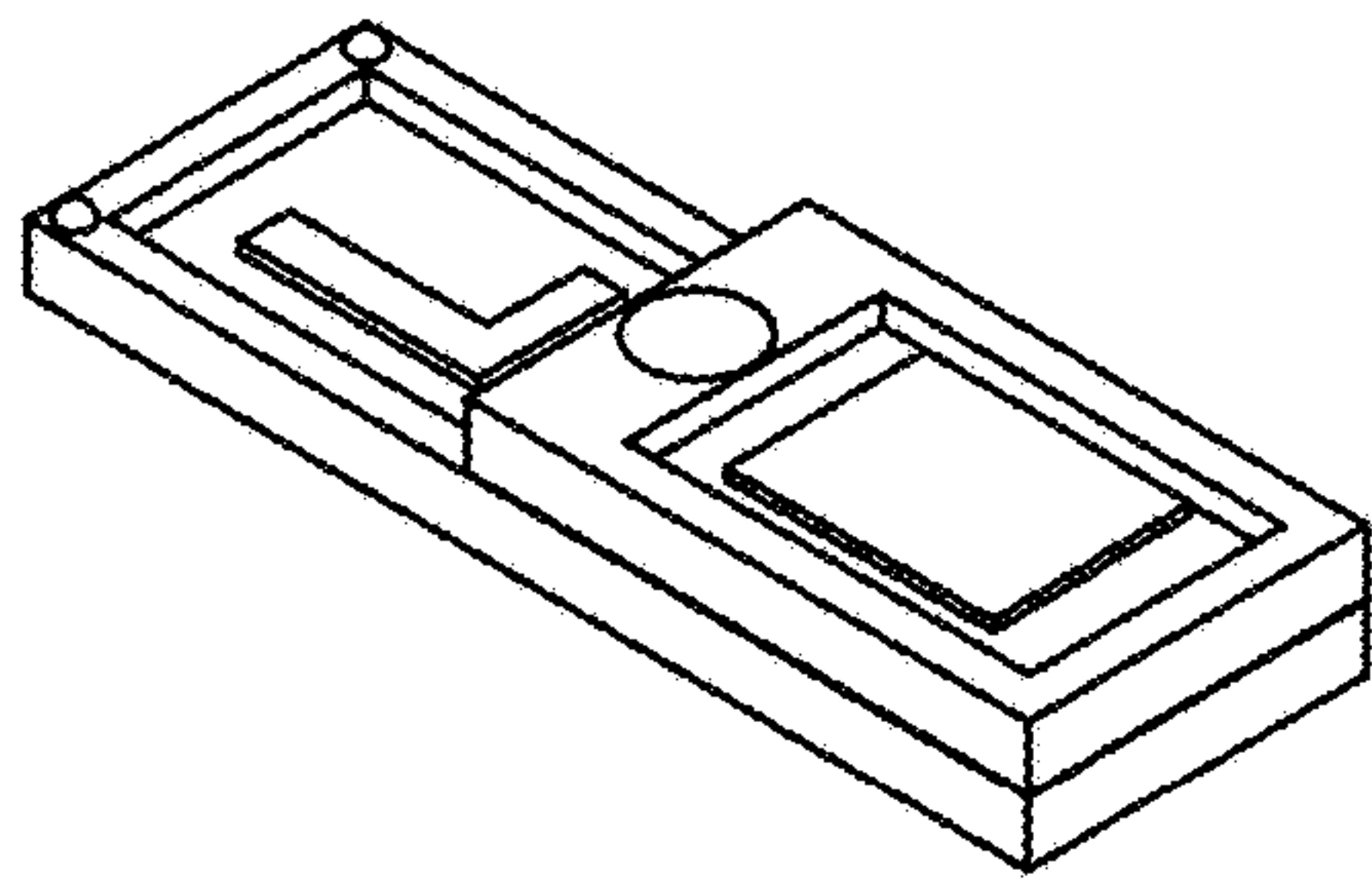


FIG. 1

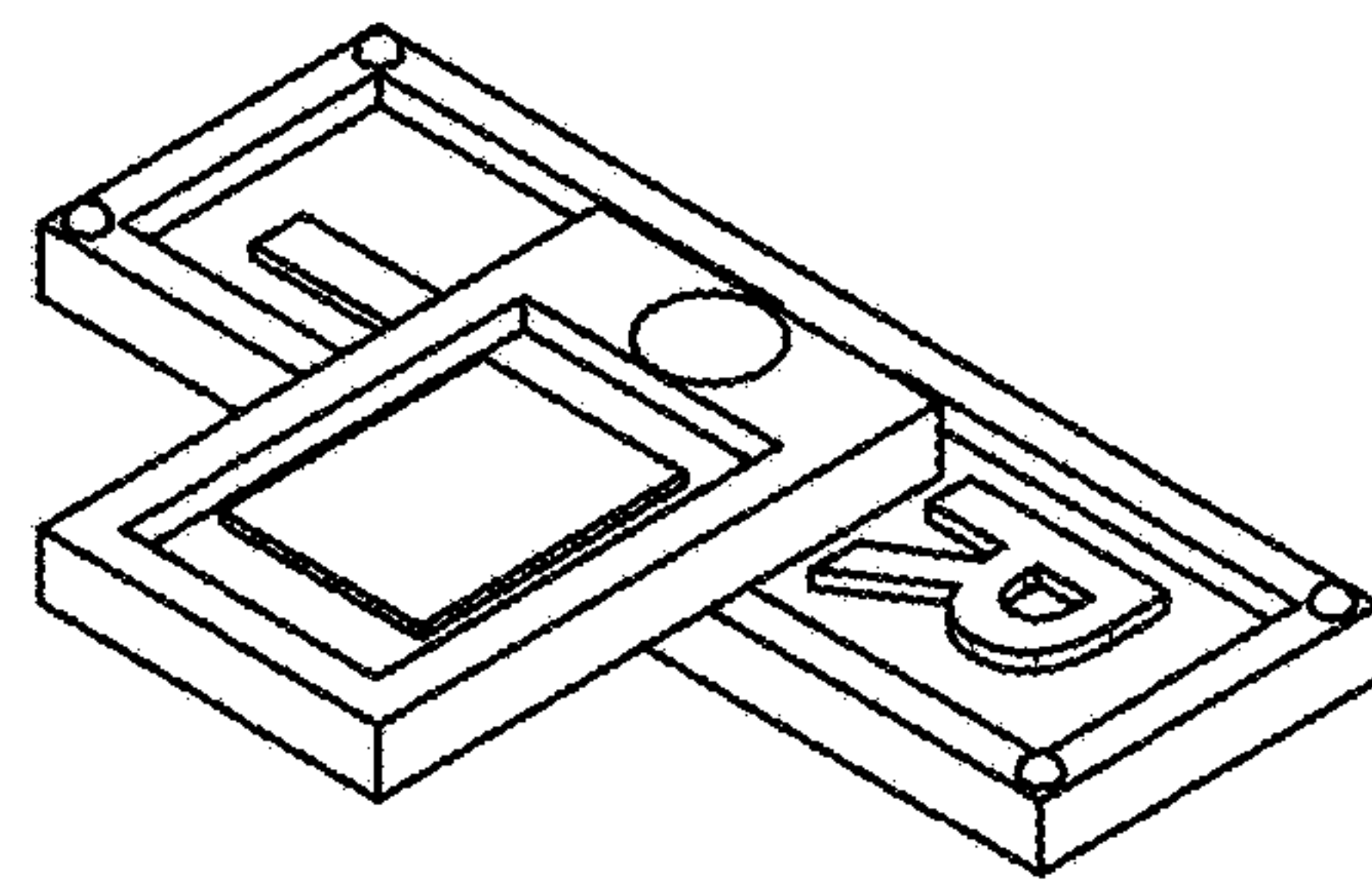


FIG. 2

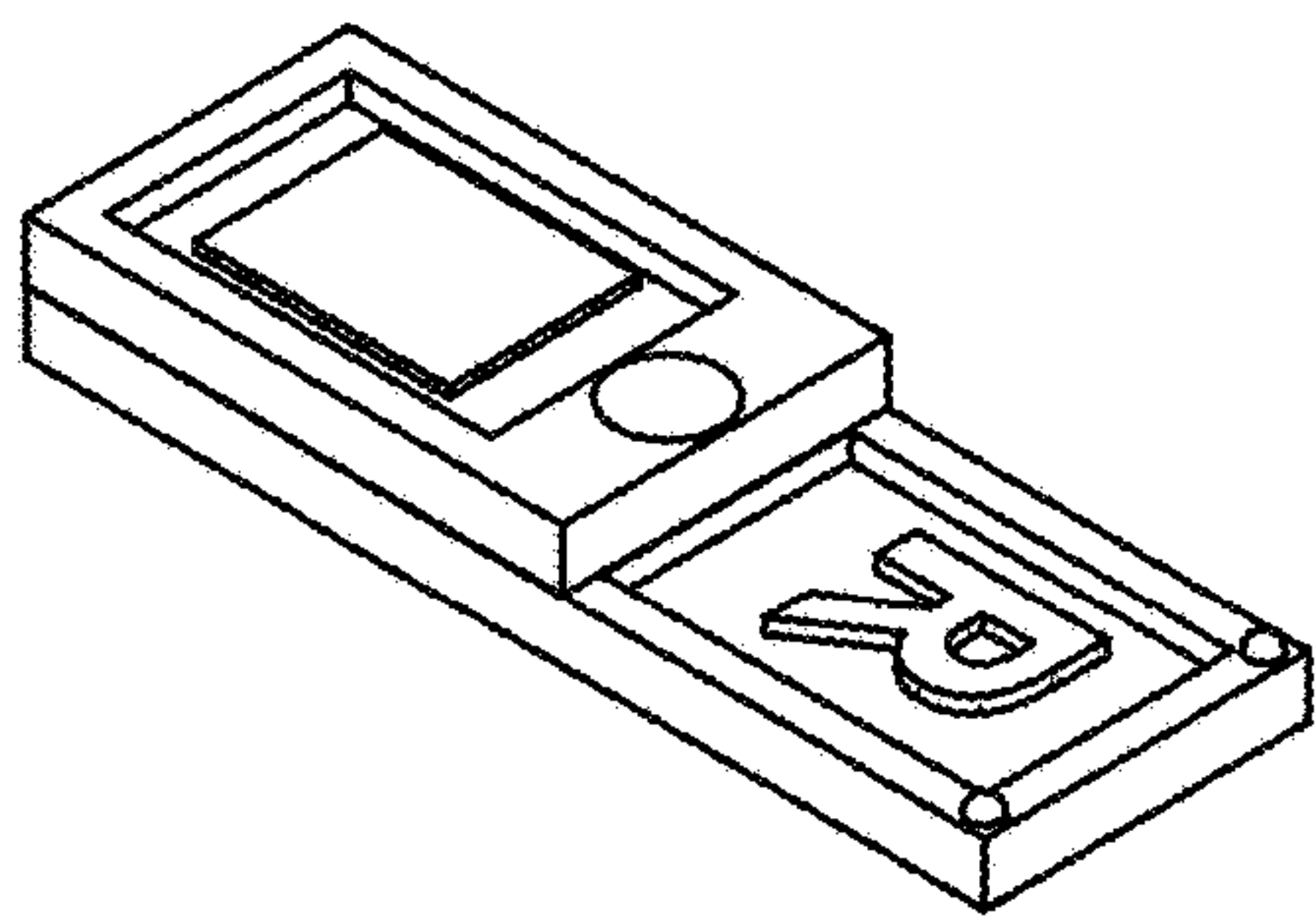


FIG. 3

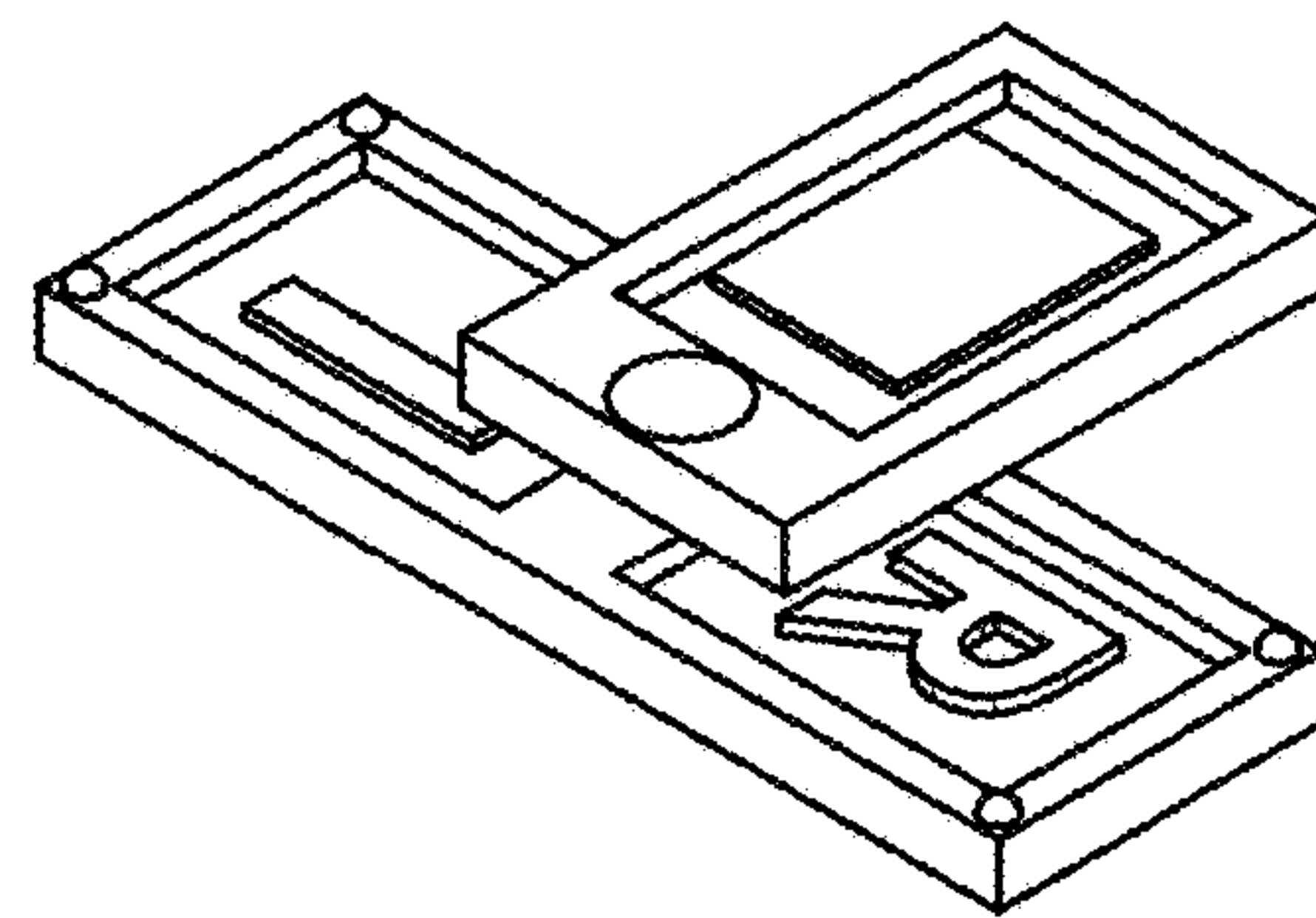


FIG. 4

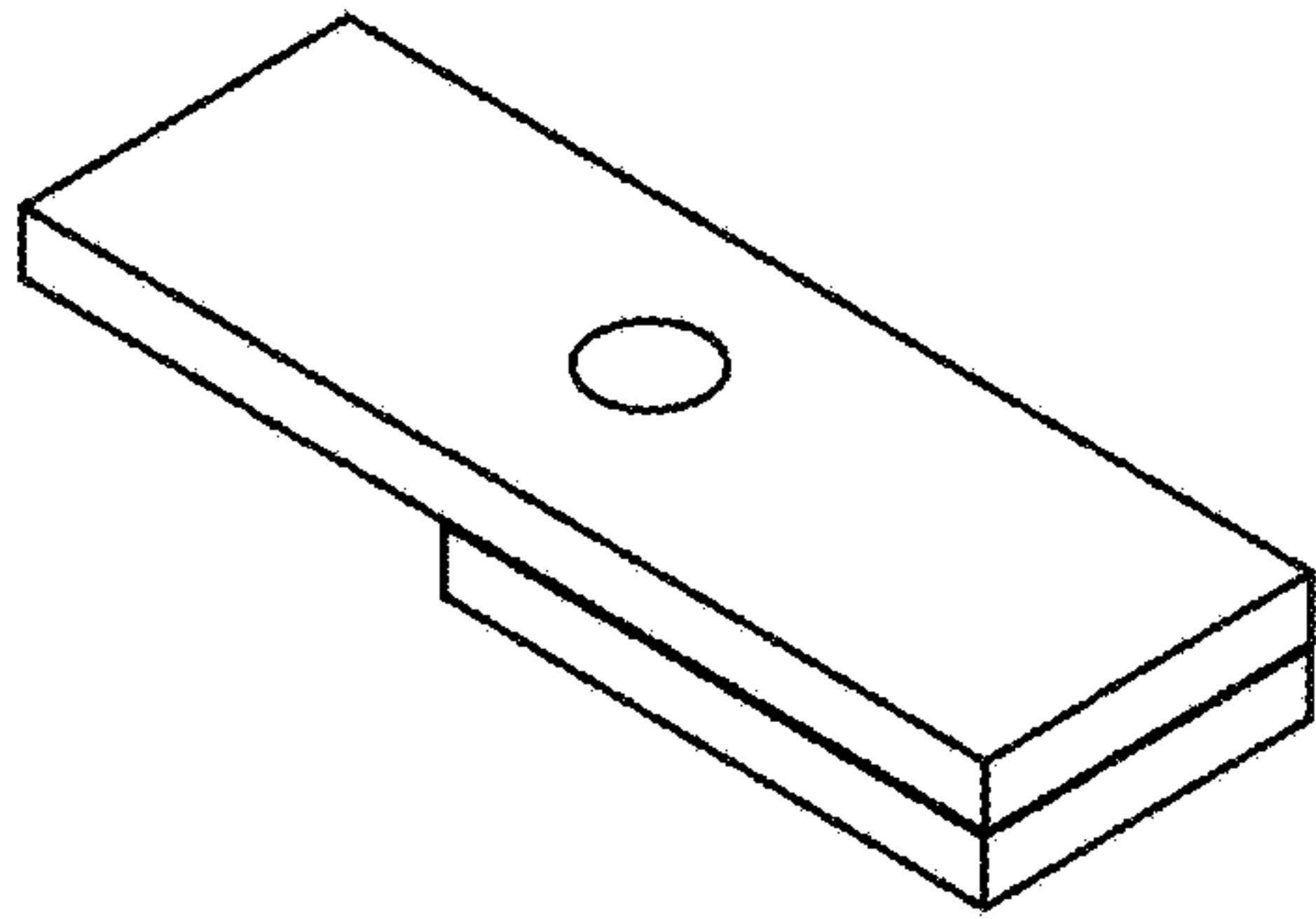


FIG. 5

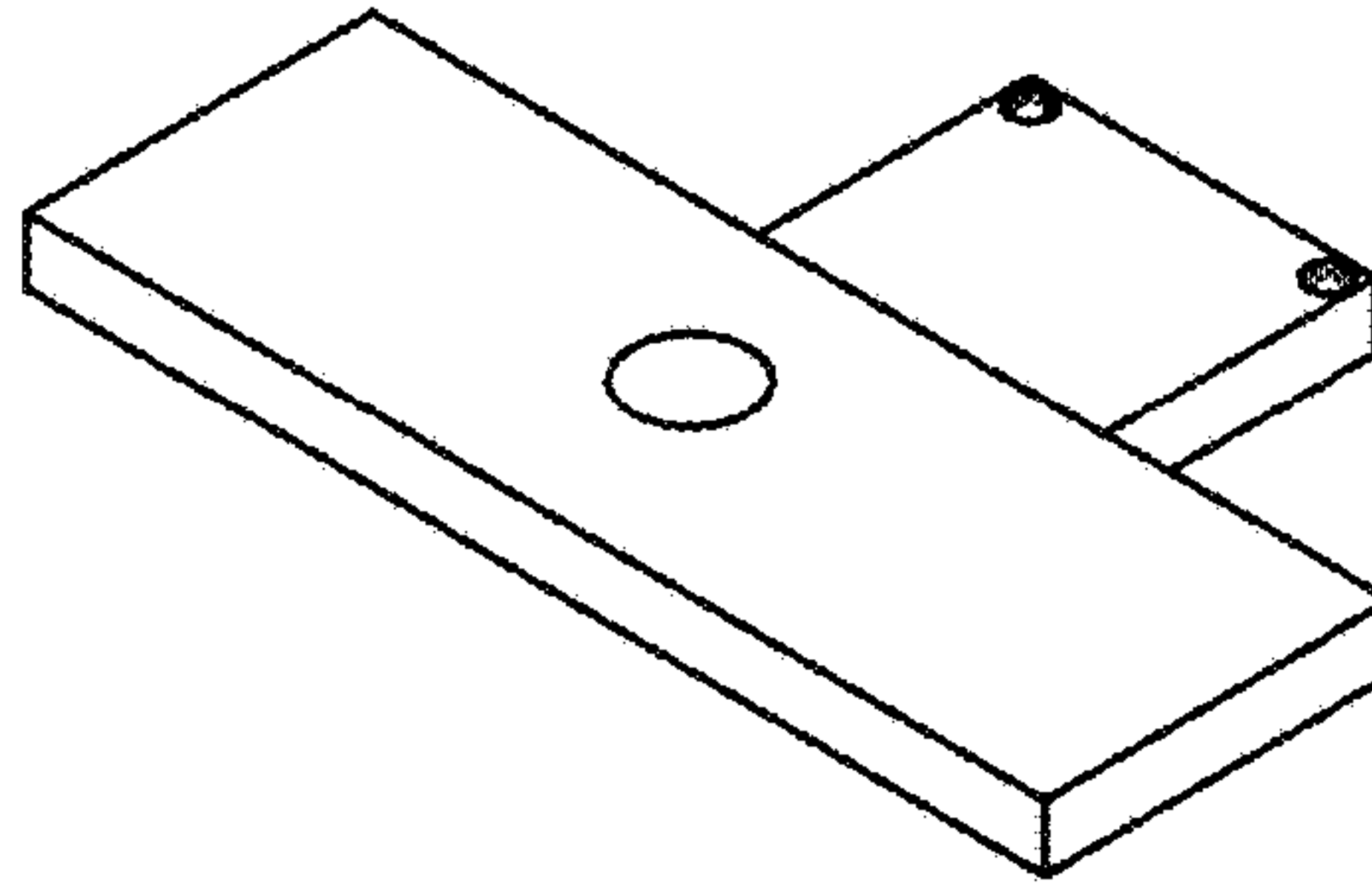


FIG. 6

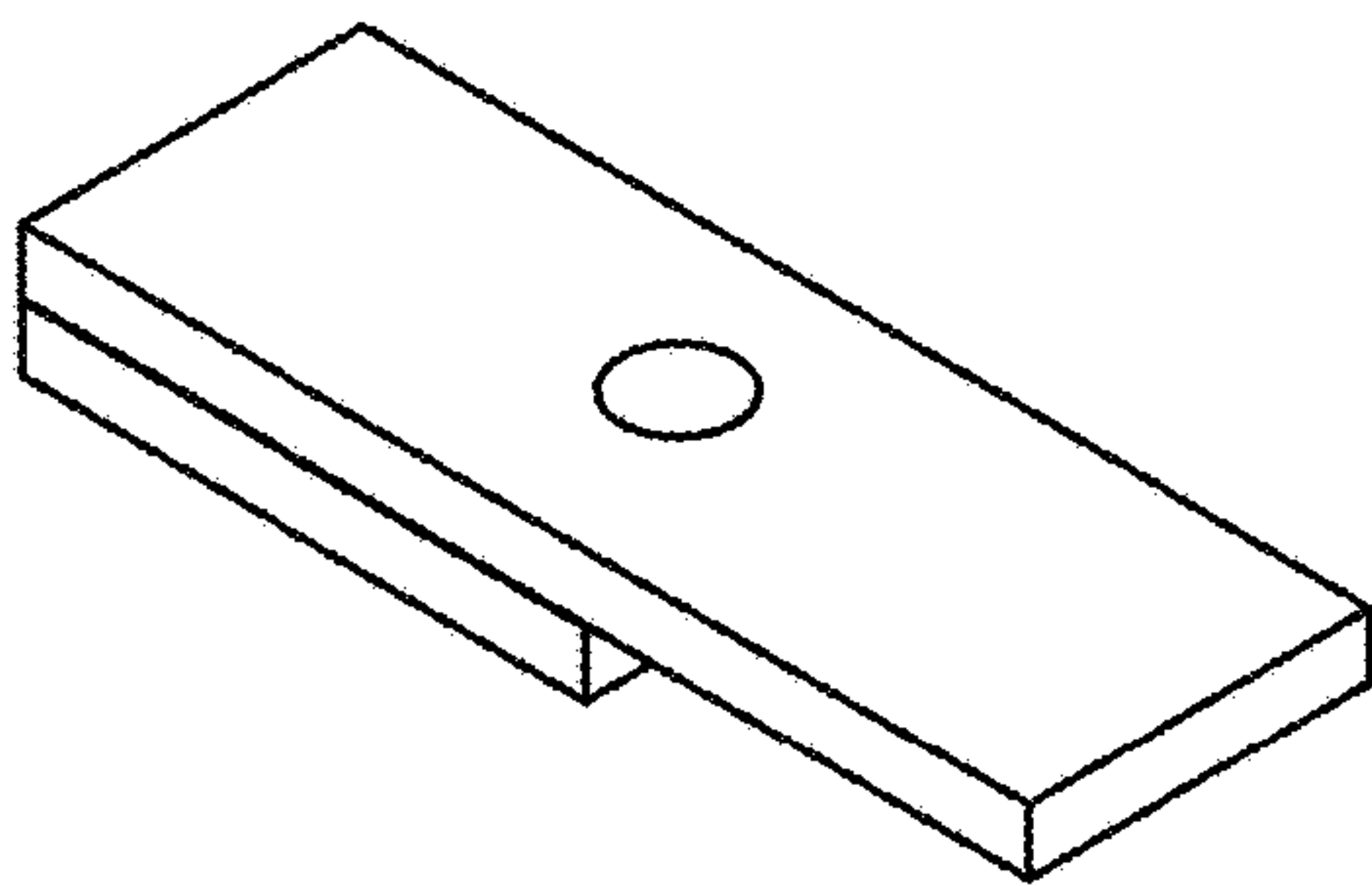


FIG. 7

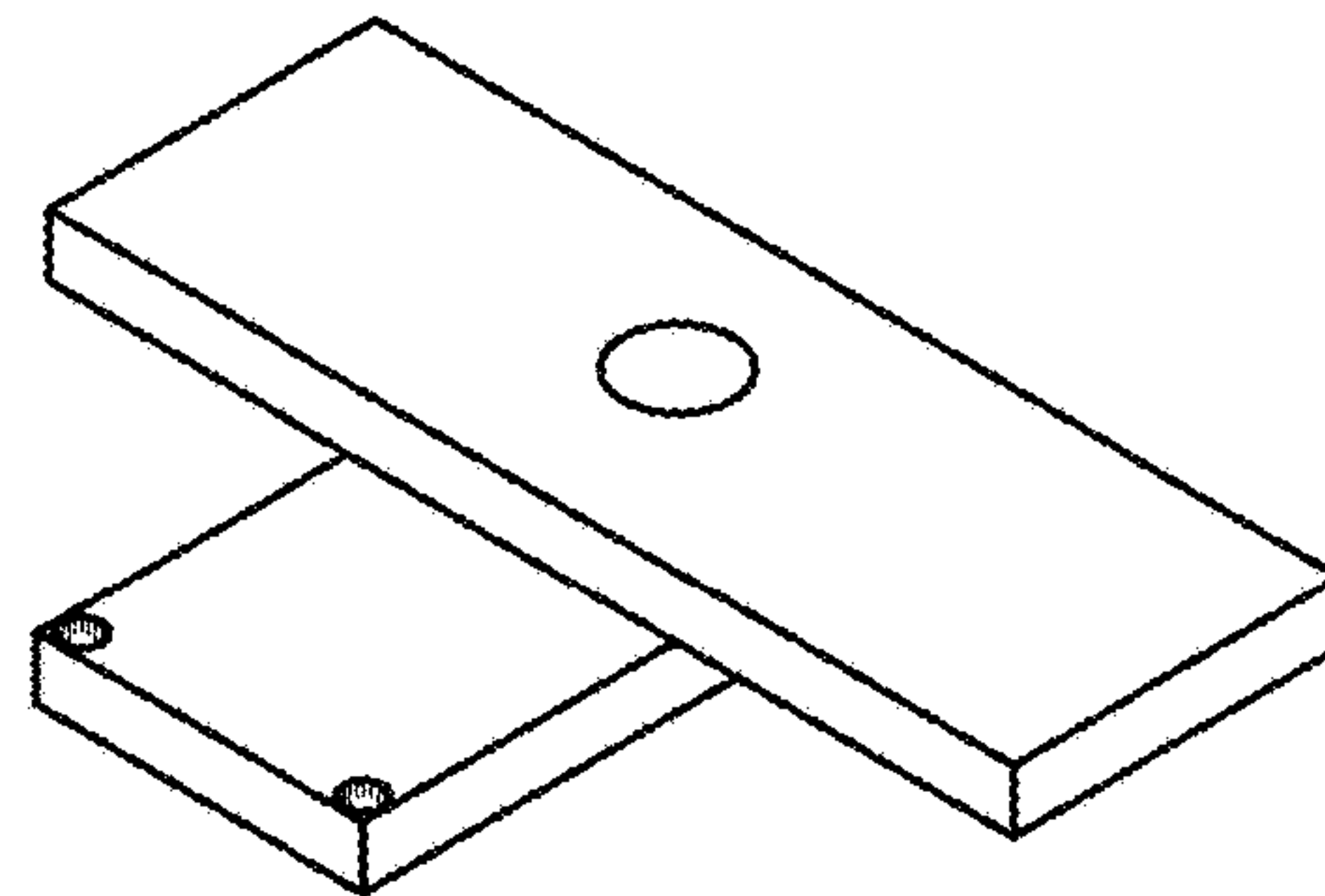


FIG. 8

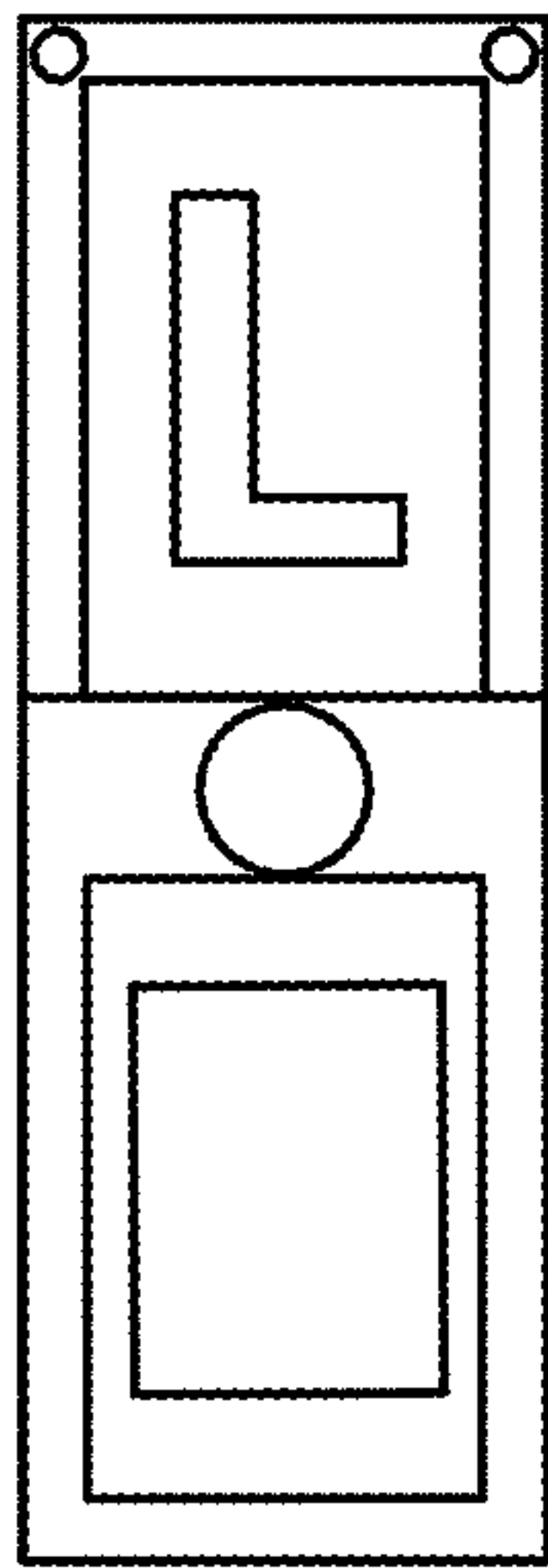


FIG. 9

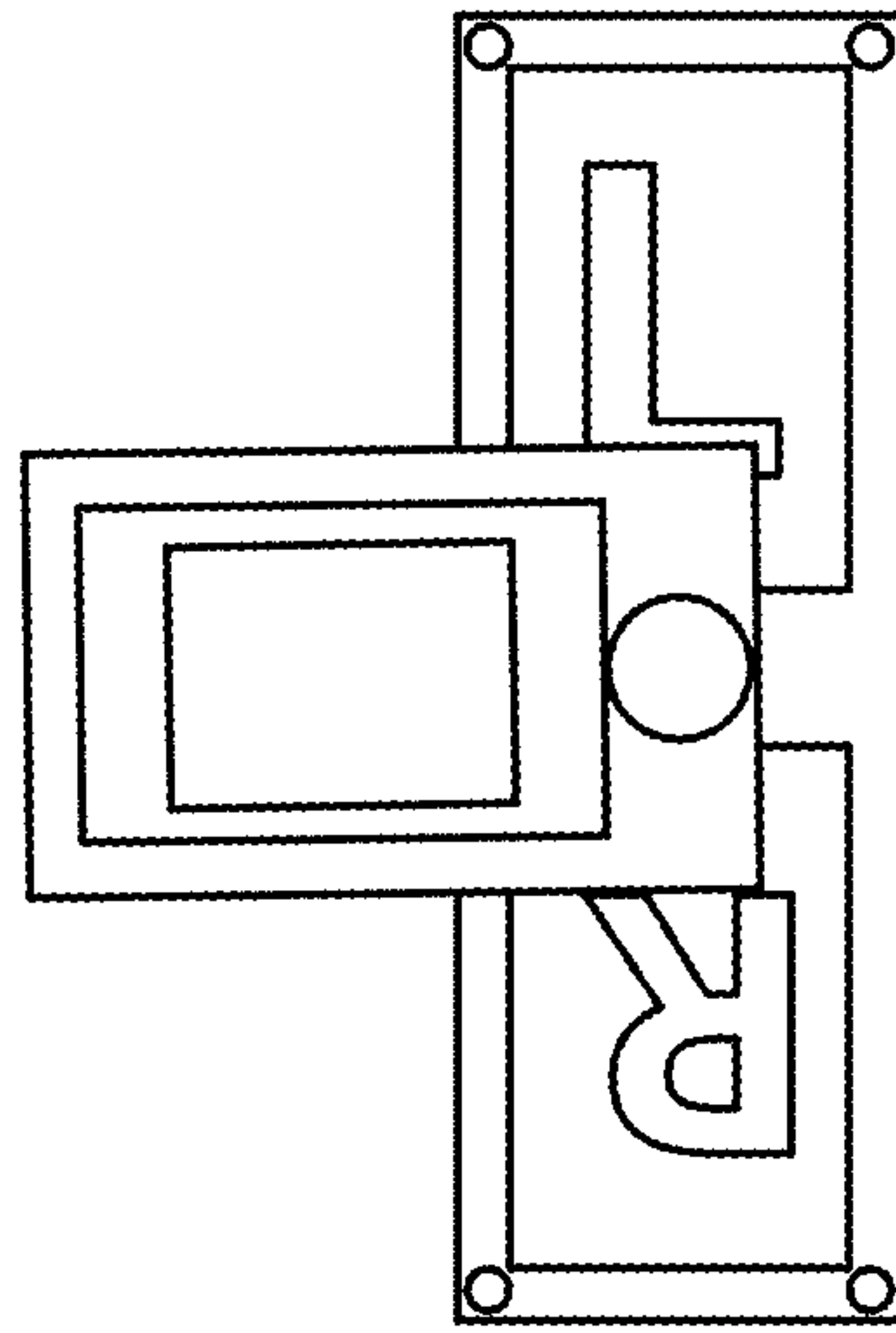


FIG. 10

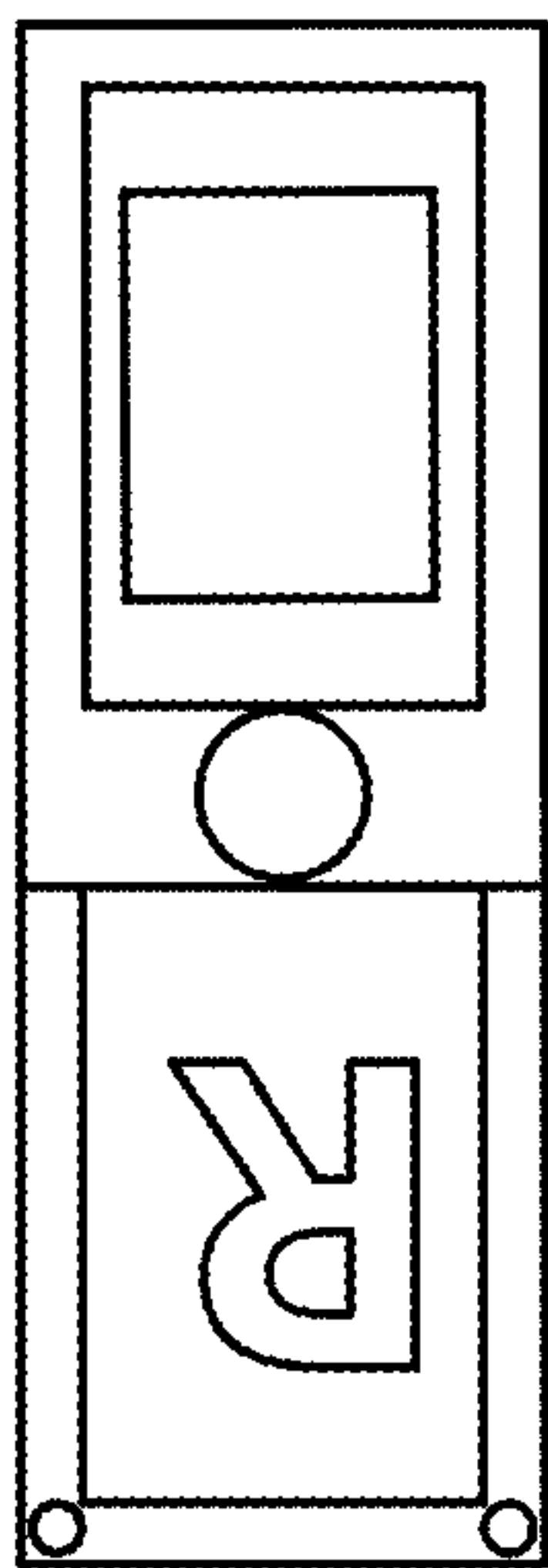


FIG. 11

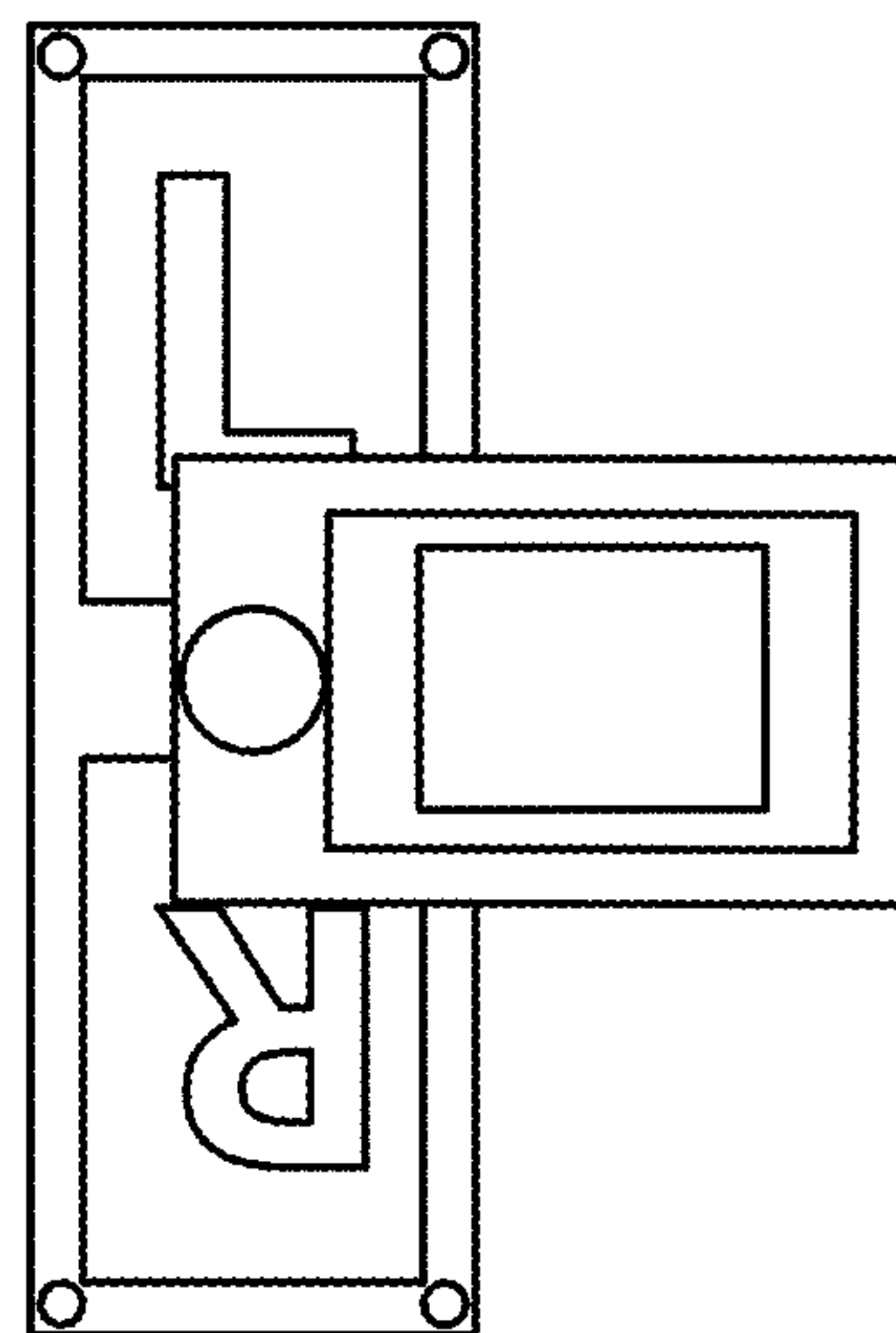


FIG. 12

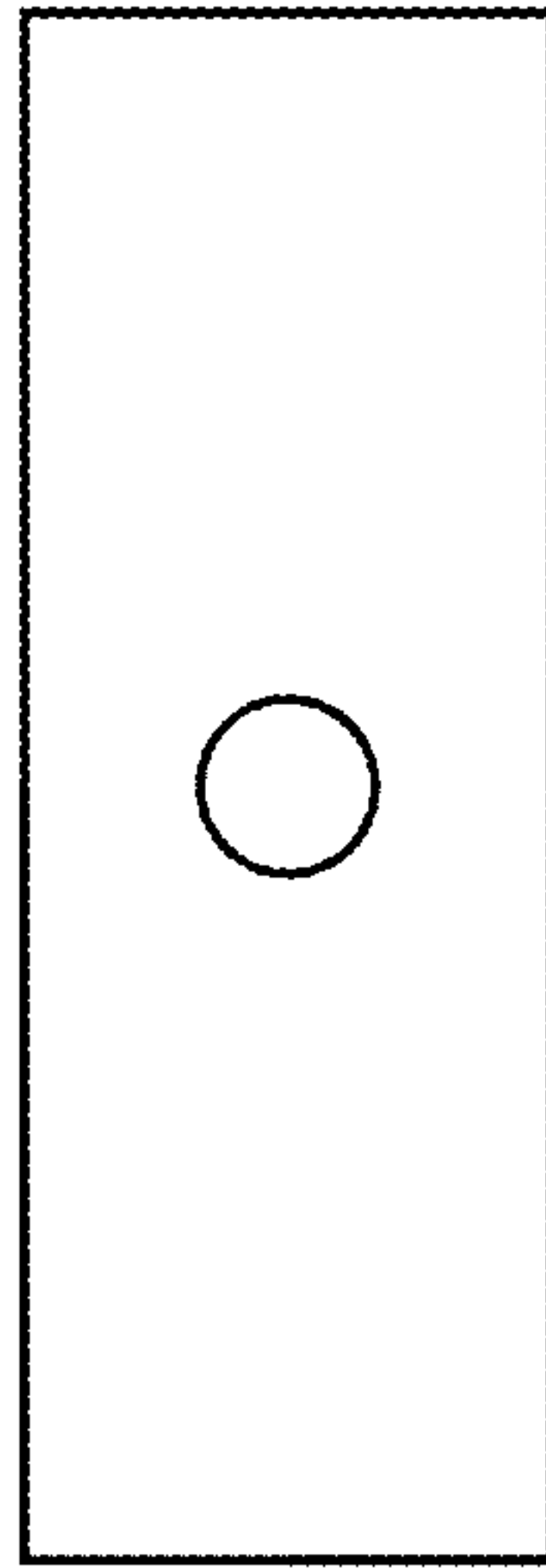


FIG. 13

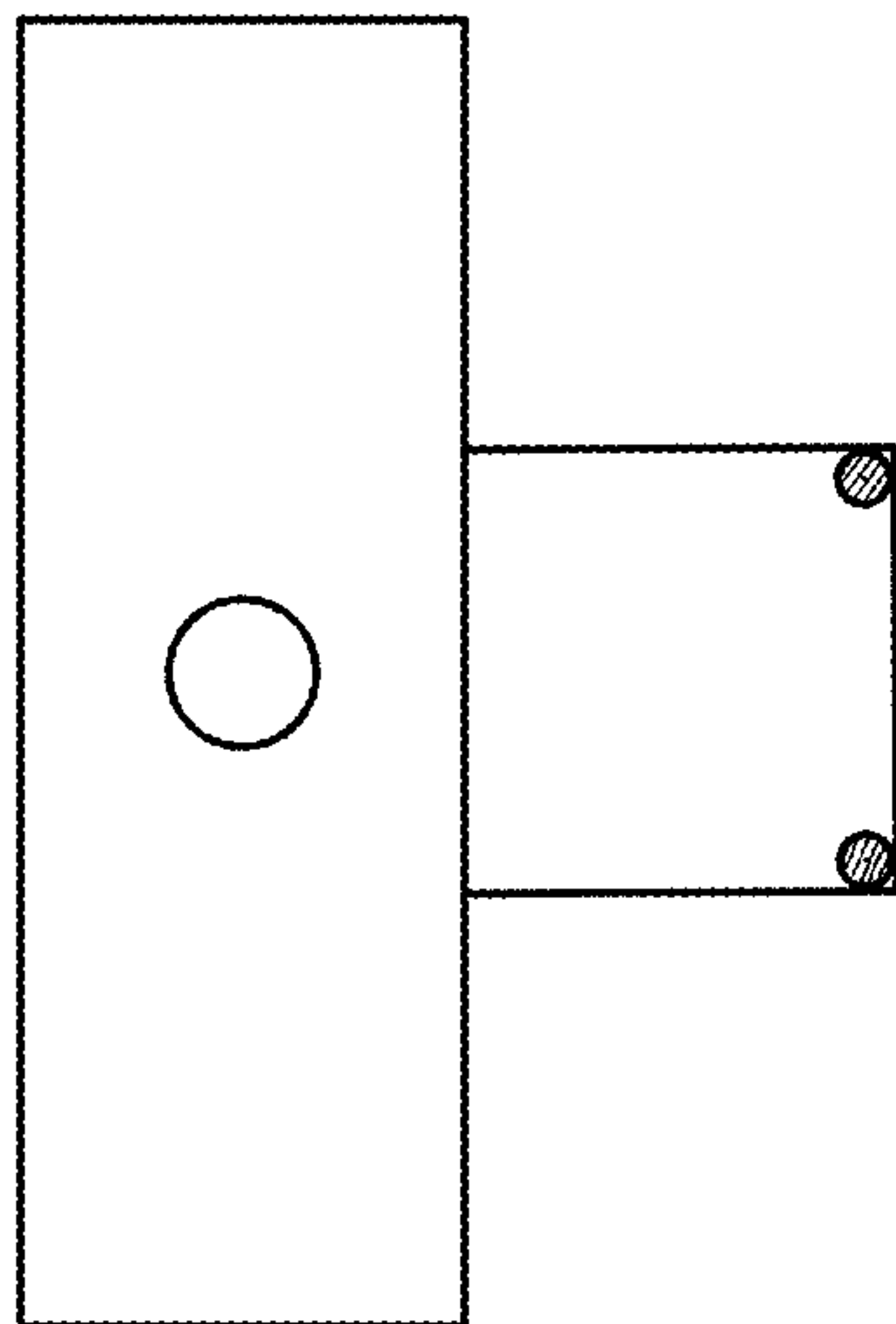


FIG. 14

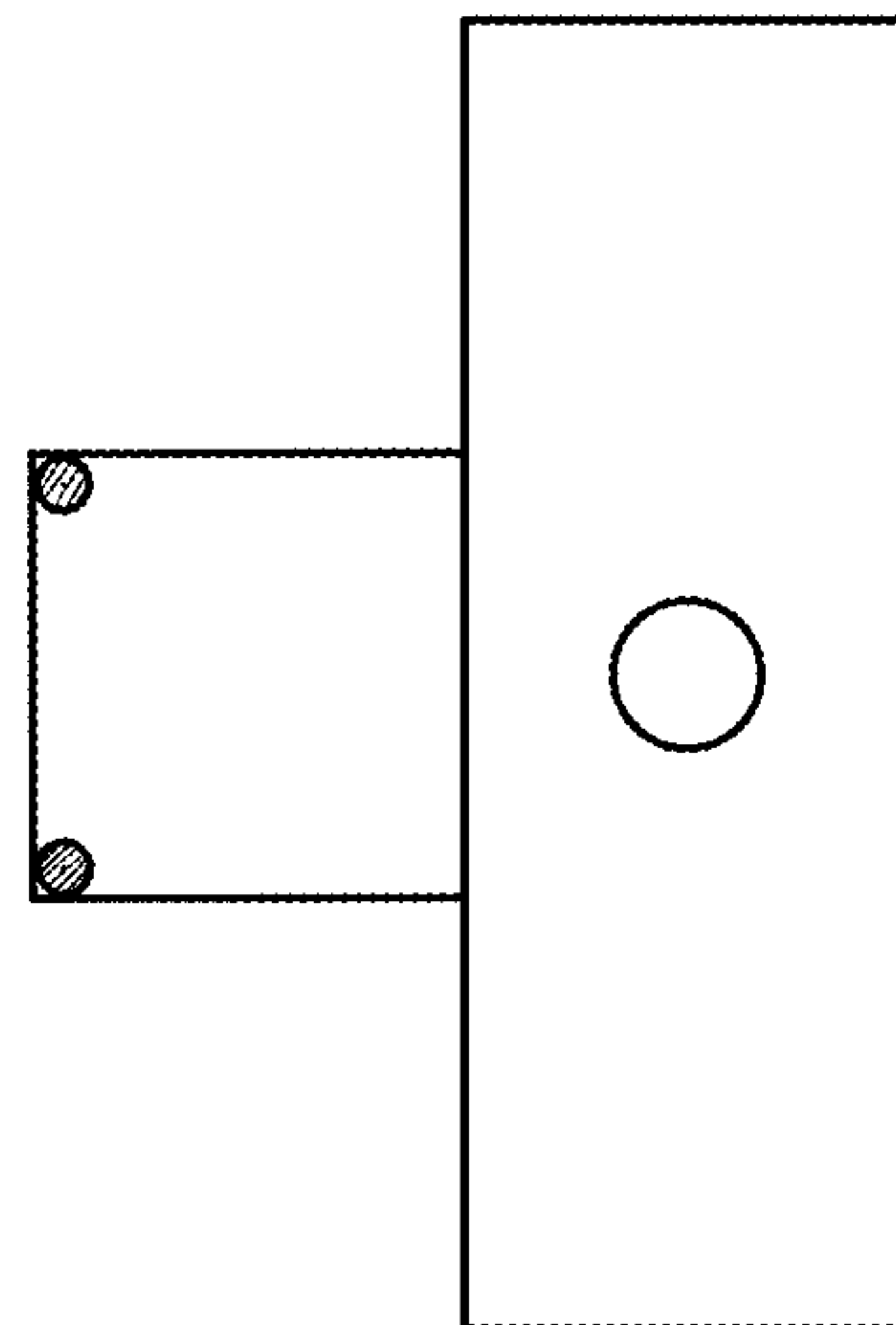


FIG. 15

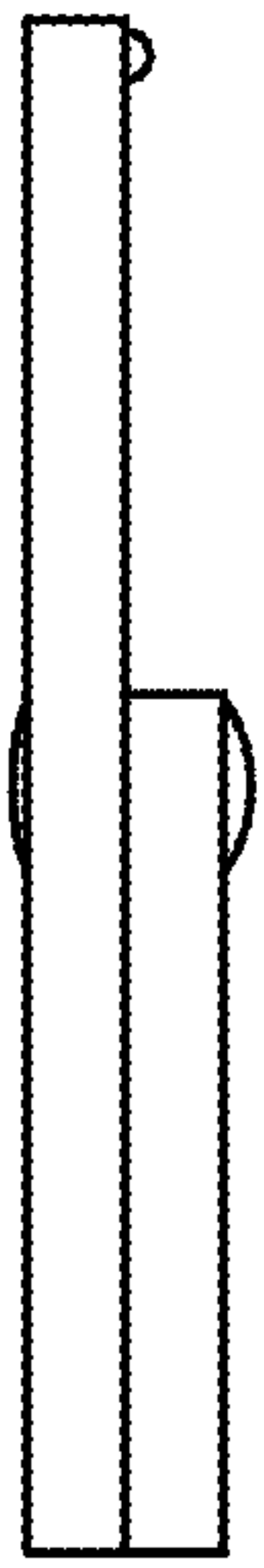


FIG. 16



FIG. 17



FIG. 18



FIG. 19



FIG. 20



FIG. 21

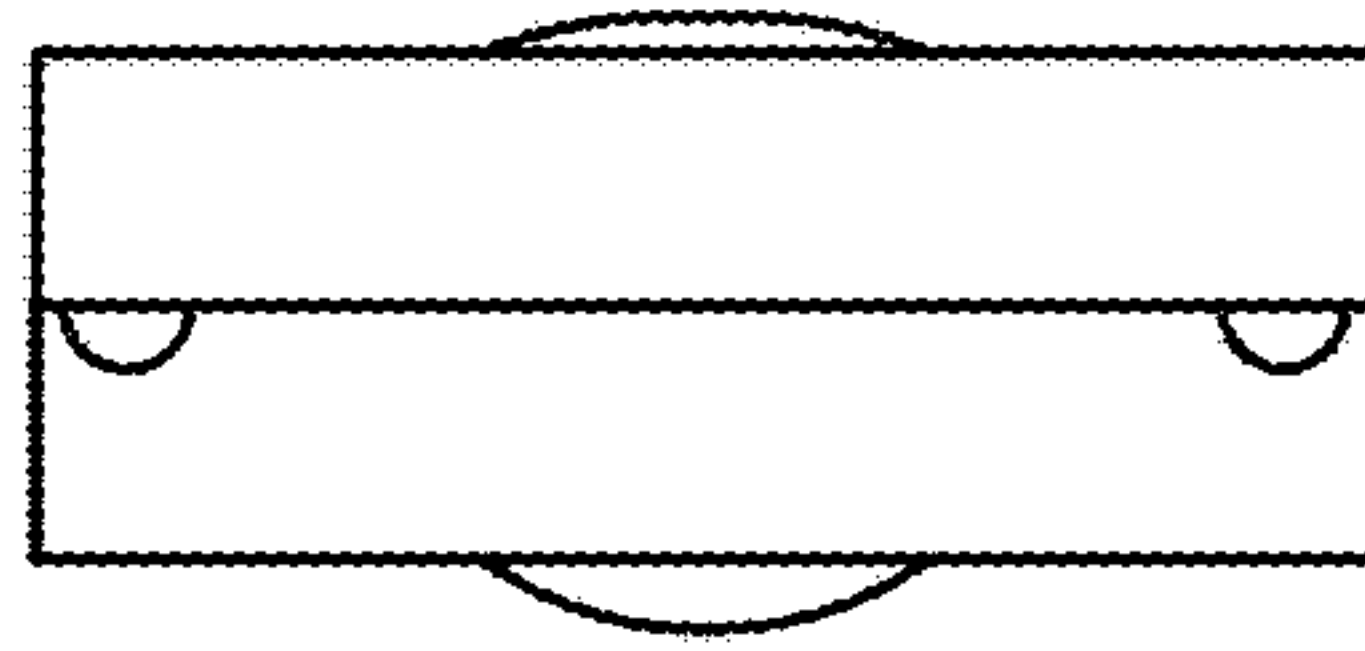


FIG. 22

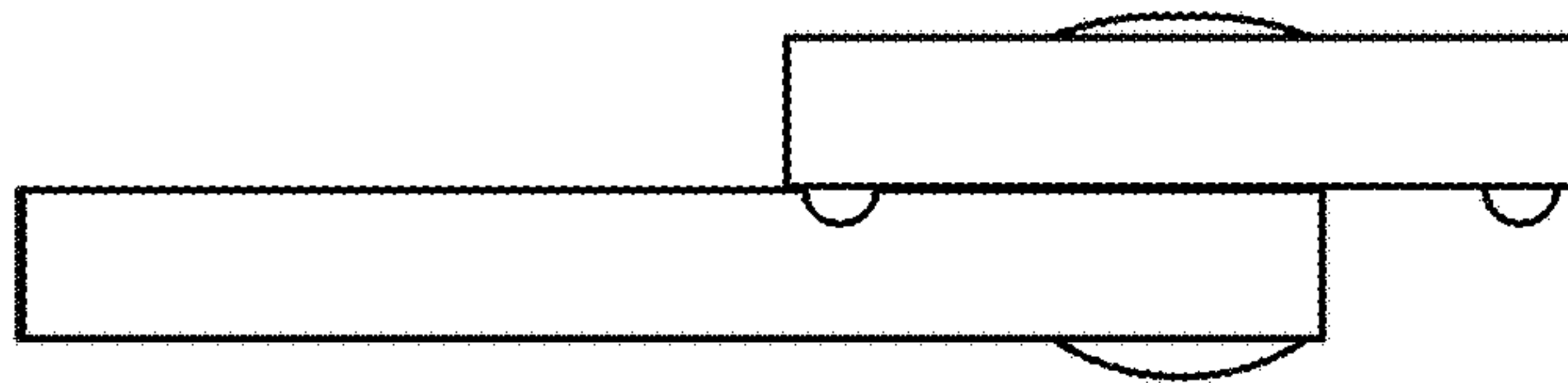


FIG. 23

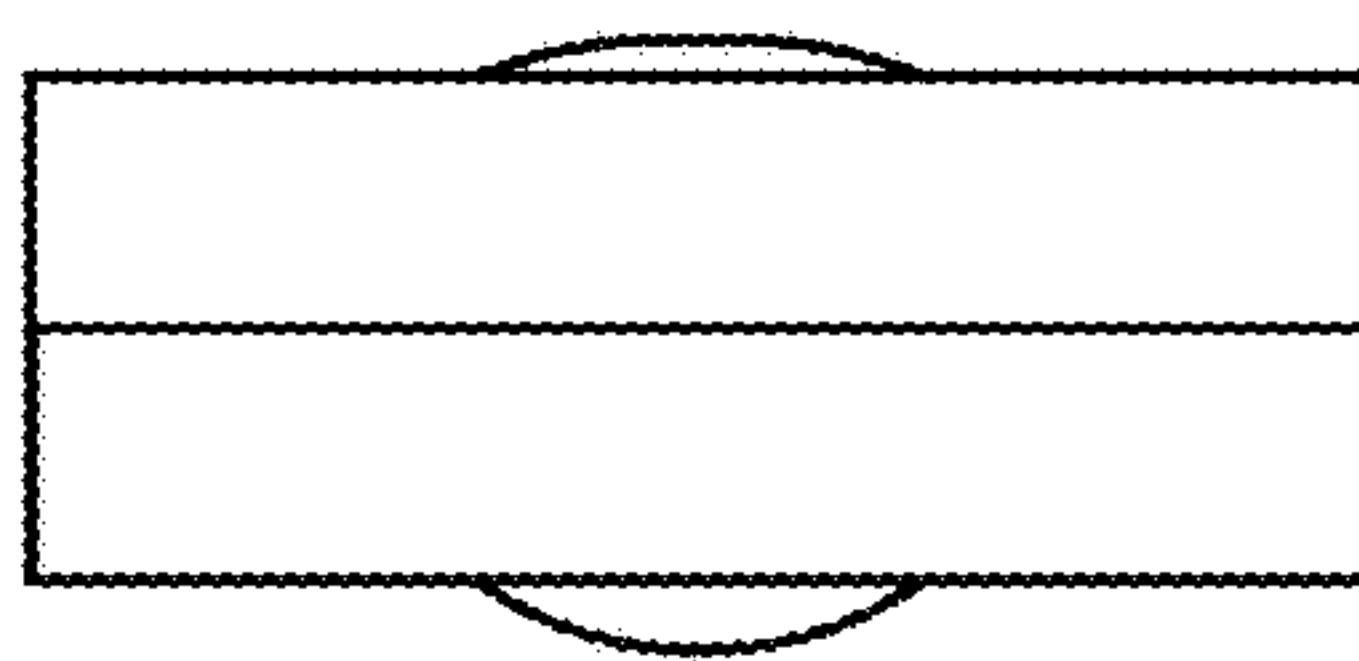


FIG. 24

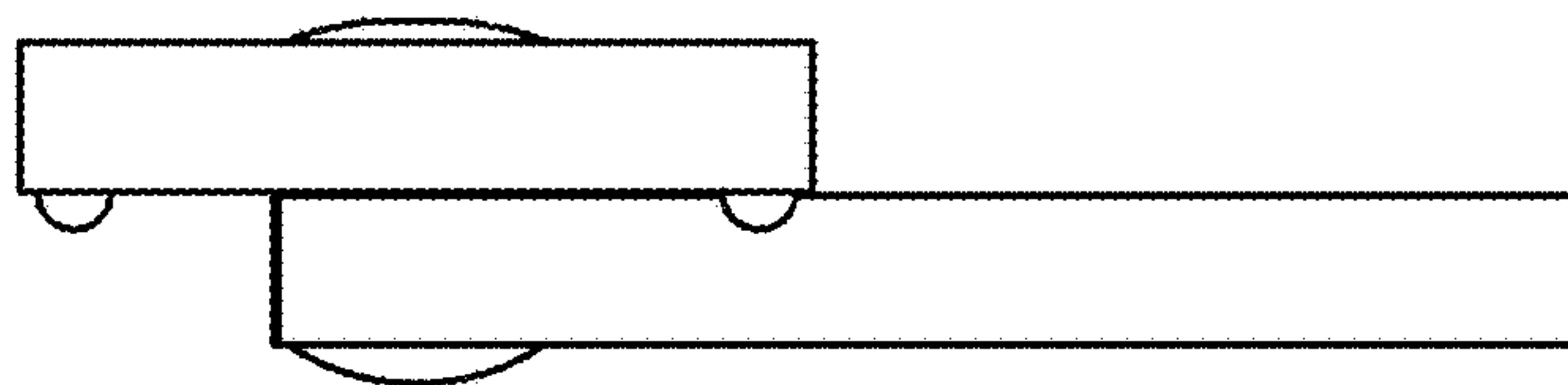


FIG. 25

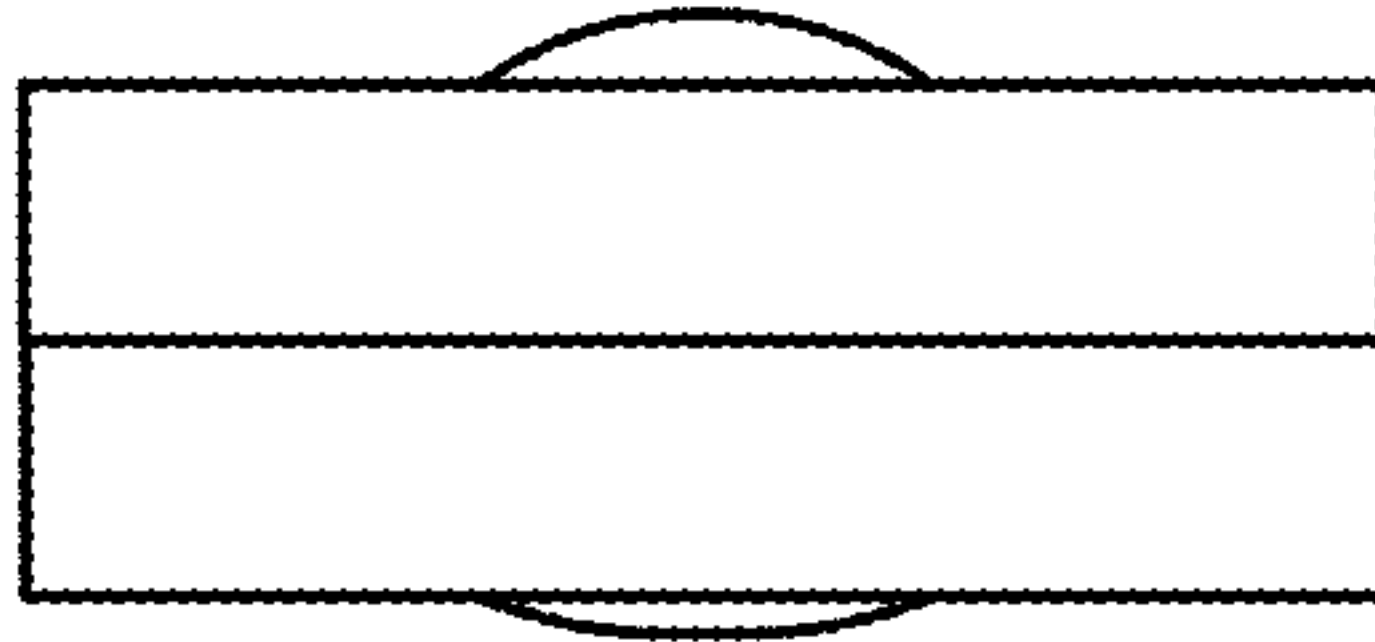


FIG. 26

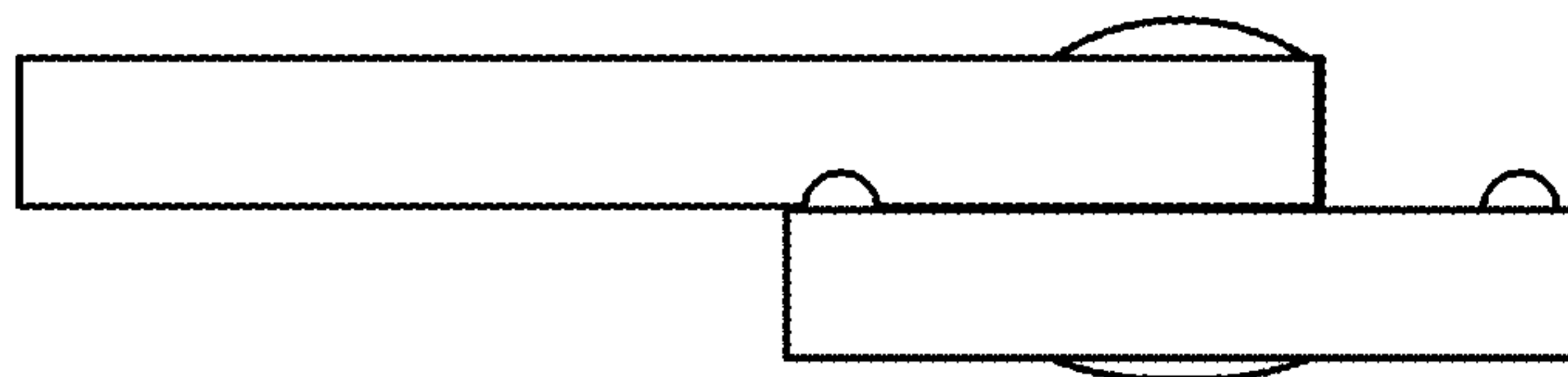


FIG. 27

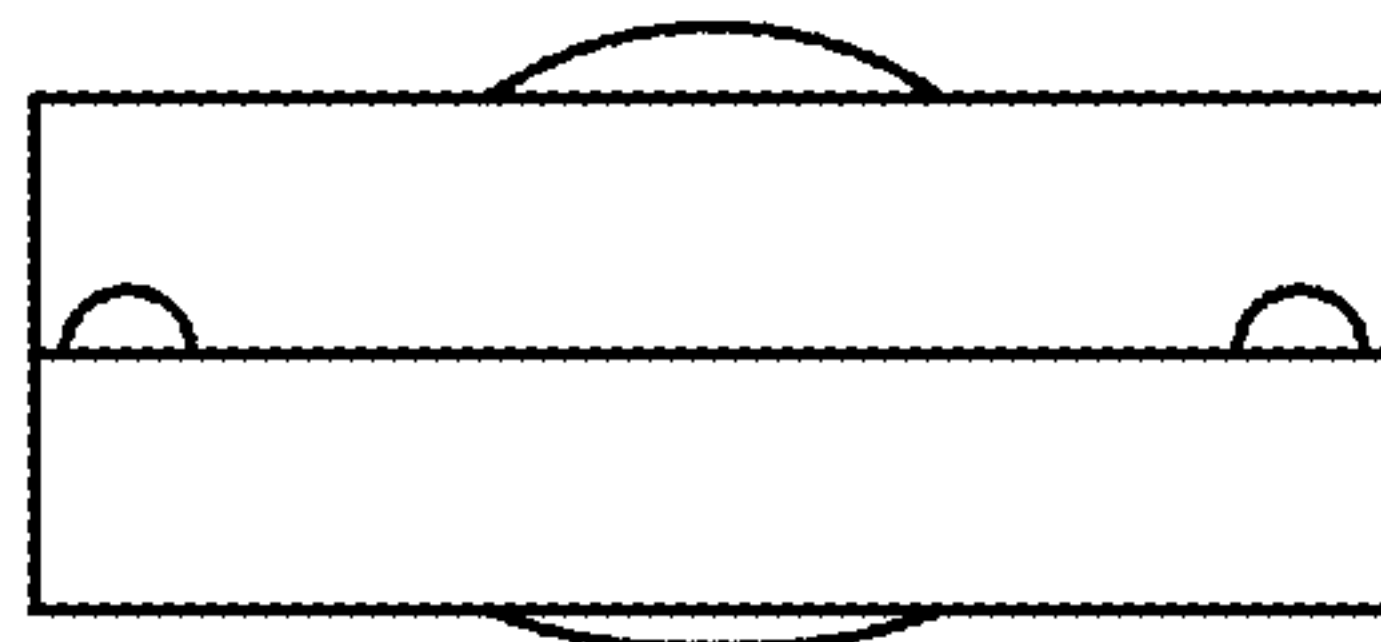


FIG. 28

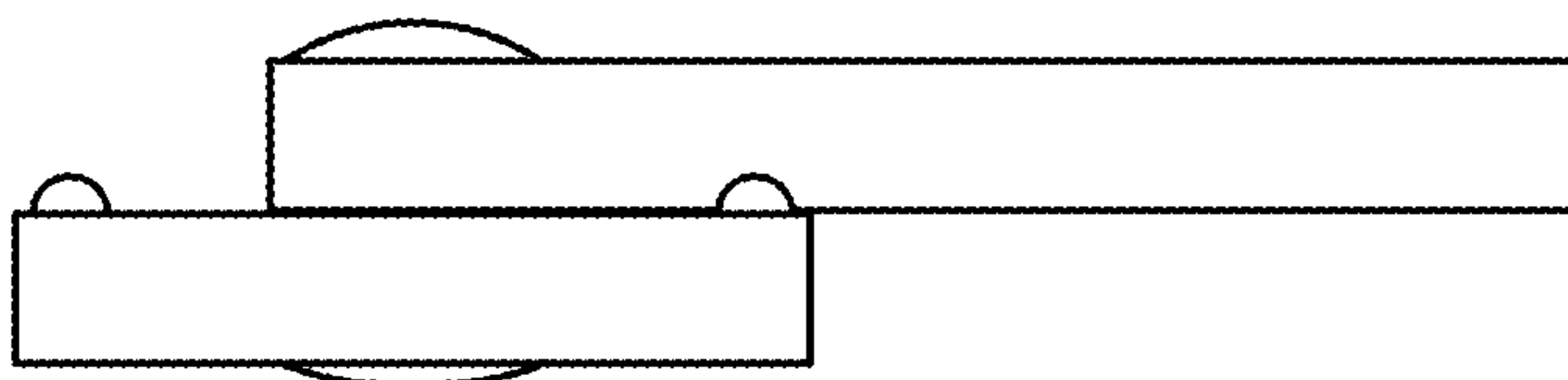


FIG. 29